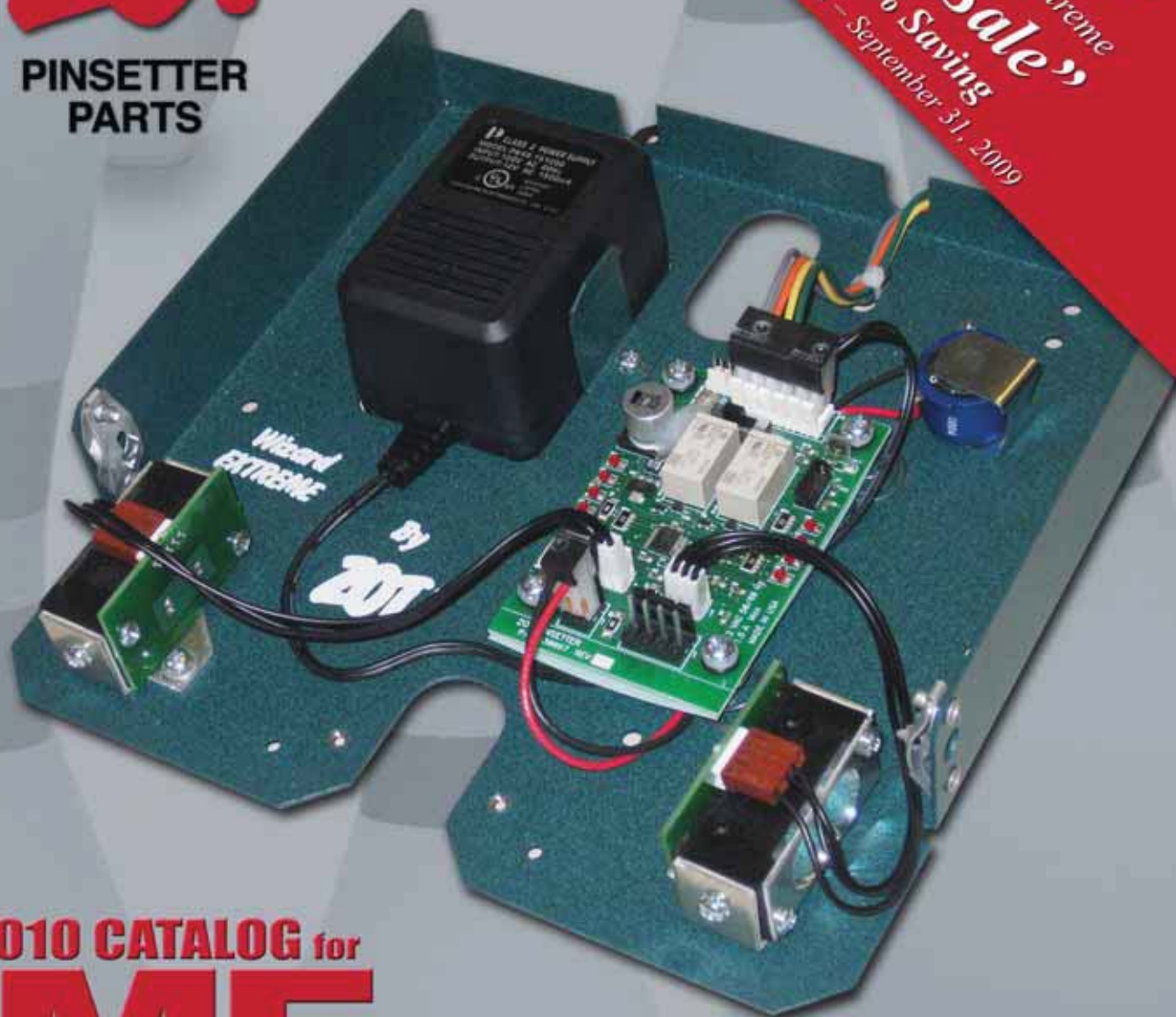




ZOT®

**PINSETTER
PARTS**

**“All-New
Foul System”
ZOT Wizard Extreme
“On Sale”
15% Saving
August 1 – September 31, 2009**



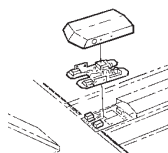
2009-2010 CATALOG for **AMF** EQUIPPED CENTERS



PASRT STD
U.S. POSTAGE
PAID
Random Lake WI
Permit No. 188

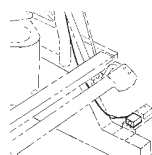
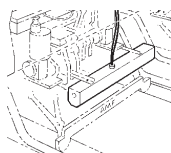
Table of Contents

Section 1
CTI by ZOT
 82-70 Pages 2-8
 82-90 Page 9
 82-30 Pages 10-11



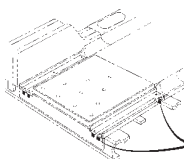
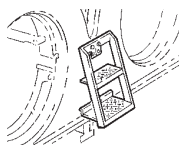
Section 4
Foul Detectors
 Pages 20-25

Section 2
Glow Bowling Products
 Pages 12-15



Section 5
Electronic Triggering
 Pages 25-27

Section 3
Unique Parts
 Pages 15-19



Section 6
Lane Products
 Pages 28-29

See Back Cover for Ball Conditioner Products

IMPORTANT NOTICE

All Pricing included in this catalog are the suggested Retail Prices as effective from June 1, 2009 and are applicable "Only in the USA"

All Pricing subject to change without notice.

Back End Controller

For AMF 82-70 MP Chassis, 5-Board and Converted Chassis



#400253\$173.50 (2-lane unit)

Prevents Pin Waterfall Effect: The ZOT Unit will turn off the back-end motor (distributor): when a pin-jam occurs in any position of the shuttle.

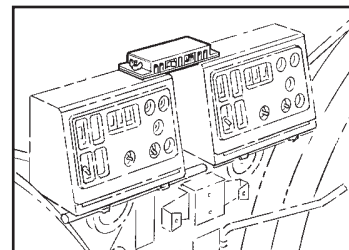
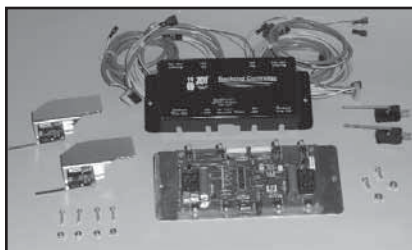
Mechanics Alert Indicator: A LED signals when the ZOT unit stops the distributor and back-end motor. The back-end motor will be turned off when (1) a pin jam occurs (e.g., when more than one pin is placed in any position on the shuttle), (2) when the Pinspotter has been idle for more than a preset number of minutes.

Prevents Damage: The ZOT product reduces damage to Pinspotter parts (e.g., distributor drive shaft parts) and to pins: by switching off the back-end motor.

Saves Wear & Tear and Reduces Power Consumption: An adjustable Time-Out can be set on a DIP Switch to stop the back-end motor: in a range of 3 to 6 minutes.

Self Restart: When the back-end motor has timed out (turned off) it will turn back on automatically immediately when a ball contacts the pit cushion.

Manual Restart: When the back-end motor has been turned off by a pin-jam, the distributor will turn on automatically when the pins have been cleared from the shuttle.



Mask Light Bulb Replacement

Replace incandescent bulbs with LEDs

#400265 Red LED (12-bolts) for centers with AMF Pinspotters: \$13.50 each

#400261 Red LED (2-bolts) for centers with Brunswick Pinsetters: \$13.50 each

ZOT has made improvements to the LED replacements for incandescent light bulbs on Mask units. The new LEDs are RED (when lit), which yields a greater degree of brightness in typical bowling center lighting.

The Effective Life of the product is 100 times longer than the bulbs they replace. That's a life expectancy of 100,000 hours of run time.

Power Saving: LEDs use less than 1/10th of the power used with incandescent bulbs.

They are easy to install: Simply push and turn, just like the old bulb.

"Improved"
Increased Brightness
Level



Mask Light Conversion Kit

#400262\$22.95



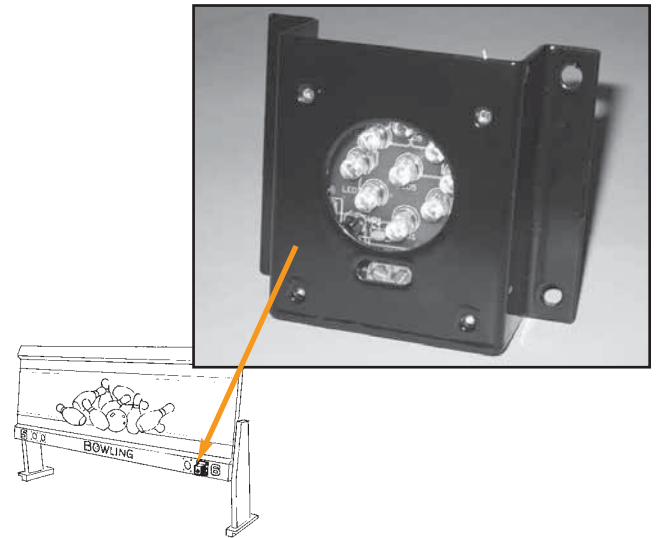
- **Stop Constant Replacement:** of older technology incandescent lamps. 10, 15, 62, 162 and 68 lamps are rated to last 750 hours. LED Technology will run for 100-thousand hours that's a life expectancy that's more than 100-times longer

Discard Aging and Worn Sockets: remove problem sockets, obsolete worn contacts and aging wires.

Simple Mounting: easy drill screw LED Lens system to the front of the mask unit.

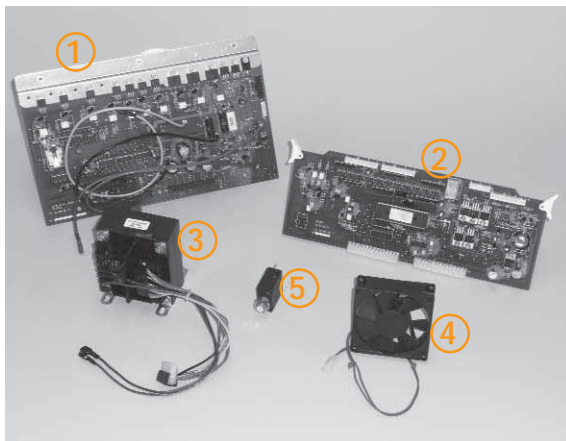
Saves Power: The LED Light uses less than 1/10th of the power (current) than the old 100 incandescent lamp.

Optional Wire Replacement: easy screw wire connection at the LED PC Board enables you to connect with a 6' jump-wire, or you can replace the complete run using your own wire.



EW Replacement Parts for CTI T Itra Chassis

For all 2-Board Chassis



- ① Driver Board #431070.....\$369.50
- ② MP Board #431069.....\$213.50
- ③ Transformer 115v #400231.....\$106.50
- ④ Fan Assembl #400249.....\$28.90
- ⑤ Resettable Breakers
 - #220040 12-AMP\$14.50
 - #220039 10-AMP\$14.50
 - #220016 2-AMP.....\$14.95
 - #220038 1-AMP\$14.95

Replacement uses for Itra 98 & Itra 98 Plus

- #220022 15-AMP.....\$2.35
- #220023 1.5-AMP.....\$2.25
- #220009 10-AMP\$2.10

82-70 Pinspotter Products

5 to 1 Board Conversion

#827001.....\$329.50
with Pindication Diagnostics (includes #827006)

Enhanced single board conversion for Original AMF 5-board Chassis

Same features as the AMF OP 8-70 board

"Lowest Price in the Industry"
Unlike some other manufacturers, ZOT includes a scoring interface in its single PC Board 5-to-1 Board Conversion. Other manufacturers' products require two boards (at a higher cost) to accomplish the same thing.

Master Controller Interface Port (see page 7)

Features and Benefits

Microprocessor Efficient: State-of-the-Art Technology simplifies the circuit

Reduced Power Consumption: Modern PC-Board components require less power

Reset Program Memory: Enables erasing the memory of the chassis

Scoring Interface: Compatible with all Major brands of scoring

Short Cycle Capable: Allows for some Automatic Scoring units to communicate on a strike that the table does not go down to feel for pins

Pindication Capable: Has the circuitry necessary to drive the pin-lights for the masking units that have a pindication feature

Ease of Installation: All connections made with quick disconnect terminals

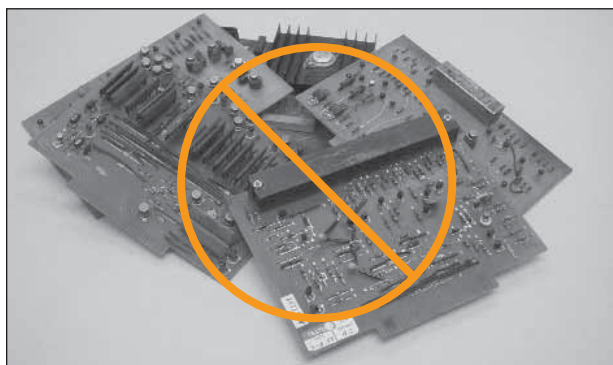
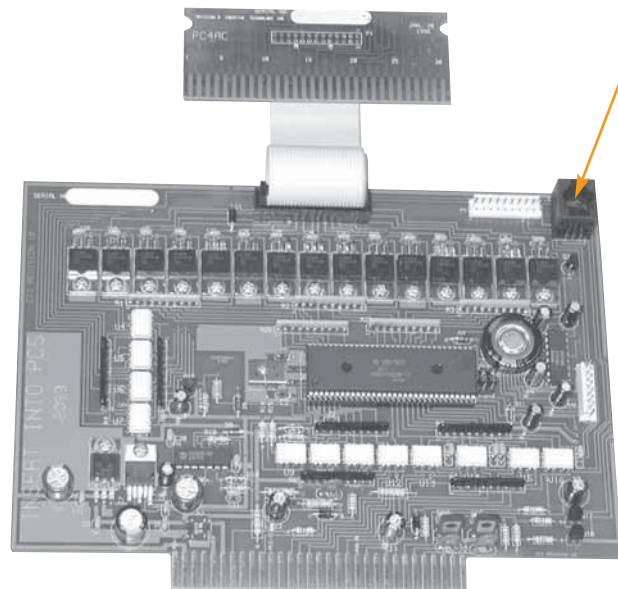
Optionumpers

Instruct: Enables automatic cycle out of Instruct-O-Mat when switching to first ball

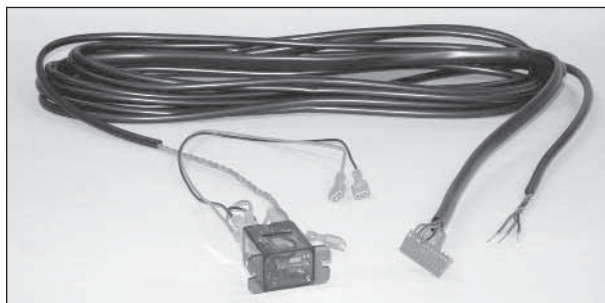
Foul: Enables disabling of the foul communication to the machine: without disabling the foul light at the approach

Note:

Master Controller interface compatible. (See page 7)



Optional Add-on



Short Run Cycle - Communications Cable

#827006.....\$44.50

Adding the CTI by ZOT Sweep Reverse Communications Cable to the 5 to 1 board Conversion will provide all AMF Brunswick vector automatic scoring features, including: Short Strike Cycle, Short Cycle 7 to 10-pin Pick, or Short Cycle Miss (utter ball) and automatic sweep reverse on offspot.

Compatible with all brands of automatic scoring, including Brunswick vector, but not including FrameWor, AS 0, AS80, AS and all other Brunswick systems.

MP PC Control Board

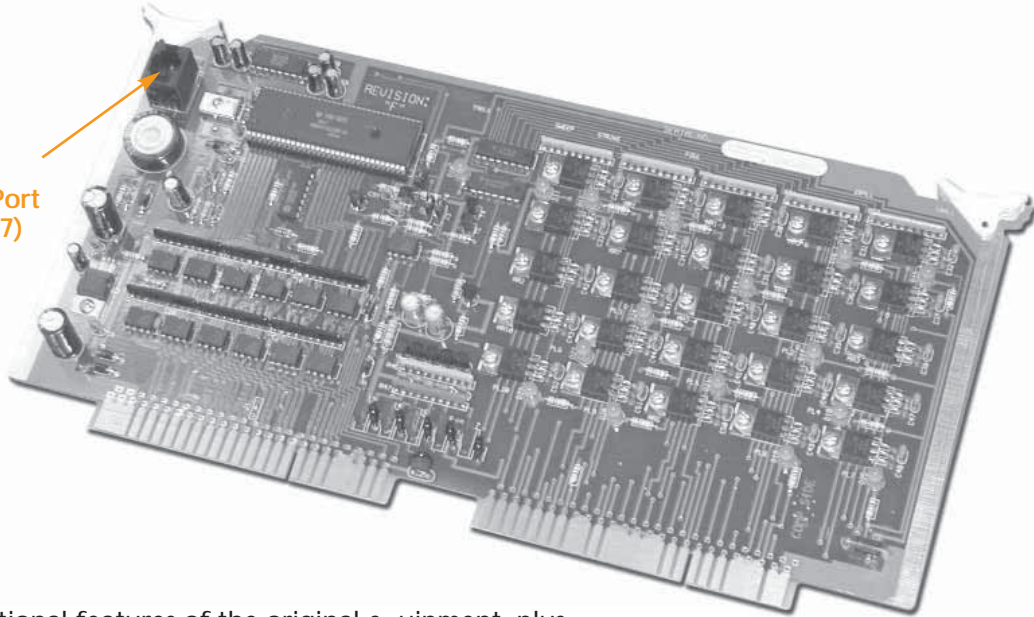
#827002\$398.50

with Pindication Diagnostics

Enhanced replacement for AMF 8-50 single board

Same features as AMF 8-60 board

Master
Controller
Interface Port
(see page 7)



Provides all operational features of the original equipment, plus:

Features and Benefits

Microprocessor Efficient: State-of-the-Art Technology simplifies the circuit

Reduced Power Consumption: Modern PC-Board components require less power

Reset Program Memory: Enables erasing the memory of the chassis. Also serves as a manual intervention (a safety feature for mechanics) if the Chassis is shut down. This button **Must be Depressed** to restart the machine

Scoring Interface: Compatible with all Major brands of scoring

Short Cycle Capable: Allows for some Automatic Scoring units to communicate on a strike that the table does not go down to feel for pins

Pindication Capable: Has the circuitry necessary to drive the pin-lights for masking units that have this feature

Ease of Installation: All connections made with quick disconnect terminals

Diagnostic LEDs

1st Ball 2nd: Indicates whether the machine is on First or Second ball

Foul: Lights when a foul signal has been generated

Sweep: Lights when button is depressed while operating sweep

Table: Lights when button is depressed while operating table

10 Pin Lights: Light when re-spot cells switches are activated

Strike: Lights when a bowler knocks down all pins on first ball

Option Jumpers

Instruct: Enables the Mechanic to override the front desk control switches. The machine cycles irrespective of whether the switches are in the Instruct-O-Mat or Bowl positions

Back-End: Enables the mechanic to select whether the back-end motor shuts off if there's no bowling activity for (3) minutes: or run continuously as long as the machine is turned on

Foul: Enables disabling of the foul communication to the machine: without disabling the foul light at the approach

Master Controller interface compatible (See page 7)

"New From ZOT!"

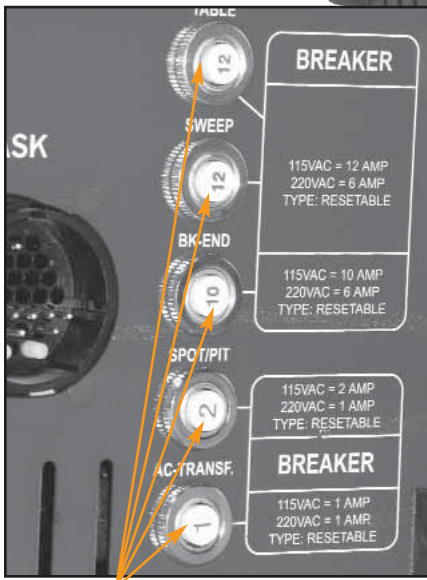
Itra Pro Pinspotter Controller Chassis & Control-All

For AMF 82-70 Pinspotters

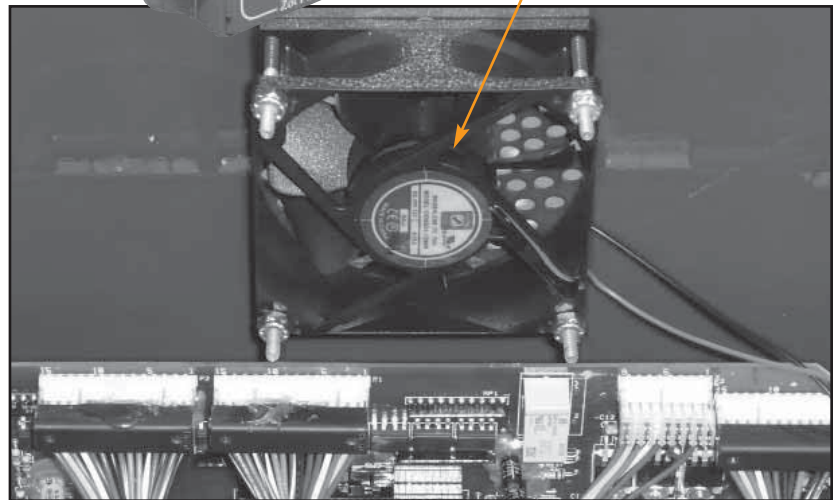
- #400273 (115 60)\$1189.00
 eplaces AMF 5-Board Chassis Converted 5-Board Chassis
- #400274 (115 60)\$1159.00
 eplaces AMF-MP Chassis

A Solid-State replacement chassis with controls that mount separately or remotely.

*With All New
 "OSHA Friendly"
 Safety Features*



Resettable Breakers



- #400299 (230 50) eplaces AMF 5-Board Chassis Converted 5-Board Chassis
- #400300 (230 50) eplaces AMF-MP Chassis

The most Reliable and Safest solid-state chassis for an AM 82-70 ever built.

Safer Control ocation: OS A is recommending that the Pinspotters power is locked out when the mechanic is on the machine. ZOT has addressed this issue with its new chassis, by mounting the controls on the rear of the machine.

Safer Mask Switch: the Mask Switch has been reassigned as a ill Switch (making the Pinspotter stop immediately). The Chassis then re uires a eset (either from the rear of the Pinspotter, or from the Mask, using the additional Mask Switch supplied with the ZOT it.

1
 CT1b
 T

Itra Pro Pinspotter Controller Chassis & Control-All

For AMF 82-70 Pinspotters

ff-Chassis Push Button unction Controls:
(All controls are accessible from the pinspotter aisle.)

Sweep: Enables running the sweep from the Controller.

S R (Sweep Reverse): Enables running the Sweep reverse from the Controller.

Table: Enables running the Table from the Controller.

Reset Program ero: Enables erasing the memory of the Chassis: Also serves as a manual intervention (a safety feature for mechanics) if the Chassis is shut down. This button Must be Depressed to restart machine.

C cle: Enables cycling the machine from the Controller.

Push Button unction: Controls 1st 2nd ball togo enables switching between 1st Ball position and 2nd Ball.

ption Switch s

Service: Enables the Mechanic to turn the machine on from the Controller: overriding the front desk control switches.

Instruct: Enables the Mechanic to override the front desk switches. The machine cycles irrespective of whether the switches are in the Instruct-O-Mat or Bowl positions.

ff Spot: Enables the mechanic to select whether the machine will perform an automatic sweep reverse in the case of an off spot.

oul: Enables disabling of the foul communication to the machine: without disabling the foul light at the approach.
Back-End: Enables the mechanic to select whether the back-end motor shuts off if there s no bowling activity for five (5) minutes: or run continuously as long as machine turned on.

Power & Diagnostic ED s ED s indicate the following when illuminated:

- Power:** Indicates when the chassis has power.
- Instruct- -Mat:** Is switched on at the Front Desk.
- Continuous C cle:** Machine is in Continuous Cycle Mode.
- Scoring Communication:** Pinspotter is communicating with Scoring.
- ripper Protect:** ripper Protection Switch is rounded.
- Bin Switch:** Distributor has filled the last position on the Shuttle.
- ff Spot:** Pinspotter has been stopped by an Off-Spot Pin.
- Pin ights:** Indicates that individual ripper Switches have been activated (ot scoring related).
- SA:** Sweep is at 270 (second guard position).
- SB:** Sweep is at ZE O (first guard position).
- TA1:** Table is moving from ZE O to espot position.
- TA2:** Table is moving from espot back to ZE O position.

Resettable Breakers (On the Chassis)

- Table Motor:** Protects Chassis if motor overloads
- Sweep Motor:** Protects Chassis if motor overloads
- Back-End Motor:** Protects Chassis if motor overloads
- Spot Solenoid & Pit ight:** Protects Chassis if a short occurs
- AC Transformer:** Protects Chassis if a short occurs
- Power Circuit Breaker:** Shuts down power to the machine

ote:

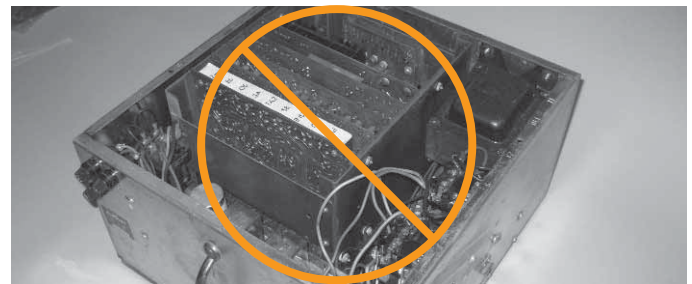
An ELCO Mask Adapter Cable is required when replacing an original 5-board chassis with an Ultra Pro.



Control-All



Itra Pro it



Itra 99

#827029 (230 50) Front Facing unit\$1496.90
Direct replacement for A TEC PS 2000

Also Available:

99 Master Controller

#827030\$349.40
Direct replacement for antech ear Control Center



Call ZOT at 1-800-525-8116 for more details

Scoring Mask Connectors

Replace Worn & unreliable E C Connectors with more cost effective AMP Connectors as found on MP Chassis
 Improve Chassis reliability by restoring Scoring and Mask connection communication to like-new condition
 Easy to Re-pin: It's easier to re-pin your chassis than you think easy to follow instructions are included.

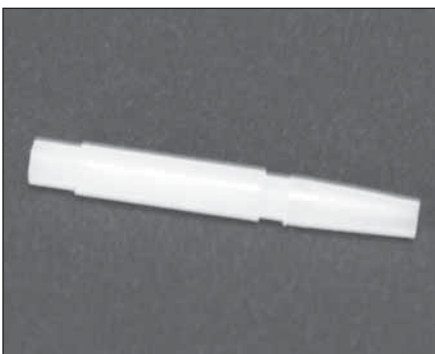
Chassis Receptacle

#230197\$5.98
 (37 connectors) C23 Mask
 APS (Scoring)



Scoring Pin

#230122\$0.49
 for C23 Mask APS (Scoring)



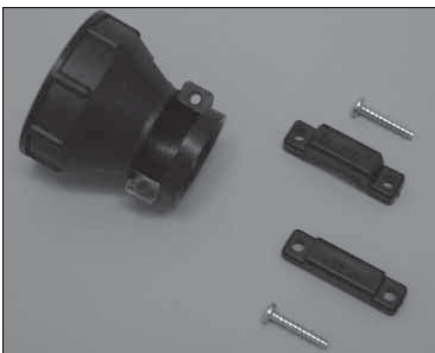
Cable Plug

#230119\$6.20
 (37 connectors) C23 Mask
 APS (Scoring)



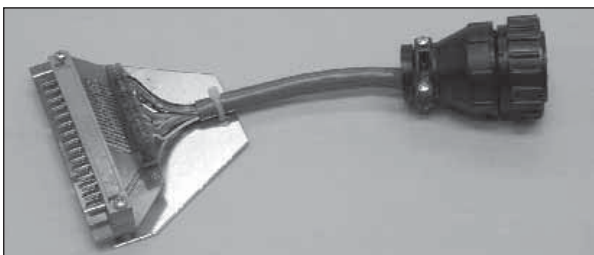
Cable Clamp

#230120\$5.90
 (37 connectors) C23 Mask
 APS (Scoring)



E C Mask Adaptor Cable Assembly

827007\$89.55



Adaptor required for quick Change from 5-Board Chassis to a new Solid State Chassis

This adaptor cable assembly is designed to convert (and is required to change) the original ELCO connection from a 5-Board Chassis to a C-23 Plug for an Ultra 8 Ultra Air and or Ultra 8 Plus Ultra Air Plus application. This applies irregardless if whether the original 5-Board Chassis has been converted. Another alternative is to order 827M23 or 827C23

Conversion Kits

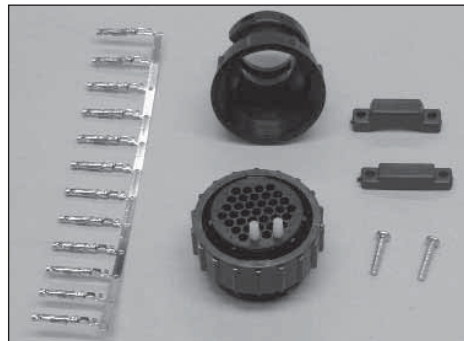
#827C23\$28.80

C23 Plug Connector Kit
 for Mask APS (scoring)
 Used to convert existing cables to the C23 connector matching the connection on an Ultra 8 Ultra Air and or Ultra 8 Plus Ultra Air Plus.

#827C17\$25.36

C17 Plug Connector Kit
 For converting existing cables to the C17 Connector matching the connection on an Ultra 8 Plus or Ultra Air Plus

Note: An AMP Crimping Tool may be required for Proper installation of these two kits.



Cable Assemblies

#827M23\$37.70

Cable Assembly Mask Unit
 Connector kit to communicate signals from the Mask Unit to the Pinspotter Chassis

#827S23\$31.34

Cable Assembly Scoring
 To communicate signals from Automatic Scoring to the Pinspotter Chassis

#827P17\$33.50

Cable Assembly Ultra 98 Plus Ultra Air Plus Accessory
 Only interfaces with an Ultra 8 Plus Ultra Air Plus Chassis to switch auxiliary features on and off: e.g. bumper systems and service lights.



Connectors

ote: Connection Maintenance is essential — up to 50% of all electronic pinspotter malfunctions are connector related

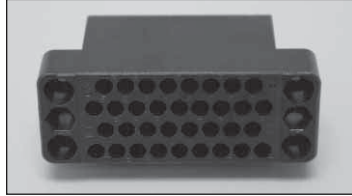
old Plated Connections for a Superior Connection

For better performance, use old in place of silver plated Pins and Sockets



old Socket .062 (female)
#230121\$0.59
 for Single Wire crimp
#230143\$0.59
 for Double Wire crimp or
 single 1 A.

old Pin .062 (male)
#230141\$0.58
 for Single Wire crimp
#230142\$0.58
 for Double Wire crimp or
 single 1 A.

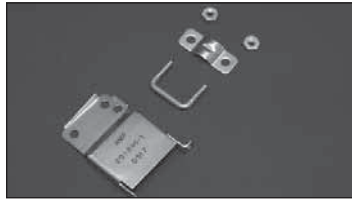


Chassis Receptacle
 C1 Block (3 Connectors)
#230144\$10.95

Cable Plug
 C1 Block (3 Connectors)
#230249\$5.10

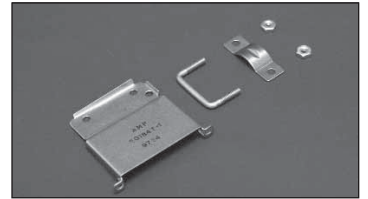


Replace cracked or broken blocks that no longer hold pins secure!

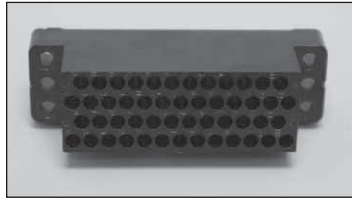


Strain Relief
 C1 Clamp
#230250\$19.95

Strain Relief
 C2A Clamp
#230252\$19.95

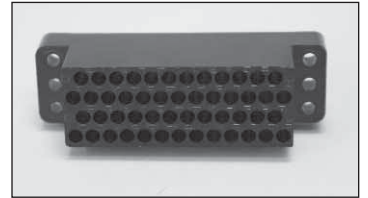


Secure Cables to prevent wires from fra ing



Chassis Receptacle
 C2A Block (50 Connectors)
#230145\$19.30

Cable Plug
 C2A Block (50 Connectors)
#230251\$6.95



If ou have pins or sockets that are pushed back or blocks that are broken replace them greater reliabilit



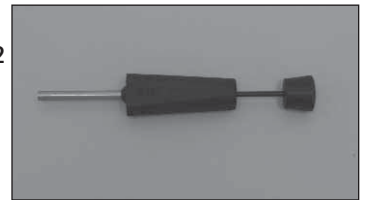
uide Socket (female)
 for C1 & C2A
#230195\$4.95

uide Pin (male)
 for C1 & C2A
#230194\$4.80



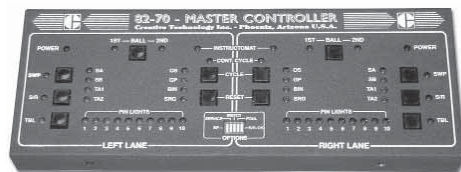
ocking Spring Clamp
 for C1 & C2A
#230248\$4.98

E tract Tool
 Eas removal tool for all .062
 DIA sockets & pins
#860018\$22.90



Master Controller for AMF 82-70 Pinspotters

#827005 Controls two AMF 82-70 Pinspotters.....\$325.50



eatures and Benefits:

The Master Controller includes 26 informational and diagnostic LED Indicators for each lane.
Pinspotter Control Buttons: Sweep - S Sweep everse Table - eset Program Zero - 1st Ball Second Cycle - Diagnostic LED s
ption Switches: Service Instruct Off-Spot Foul Back-End
ote: Requires CTI by ZOT MP PC Board, 5 to 1 Board Conversion or any CTI Ultra 98 or Ultra Air Chassis to operate.



Call ZOT at 1-800-525-8116 for more details

82-70 Pinspotter Products

Electronic Motor Start Assembly

For AMF 82-70 Pinspotter Motors

#300058\$33.50

ZOT's Electronic Motor Start Assembly is a direct replacement for centrifugal motor start switches and various brands and models of Solid State motor starters.

Check these features:

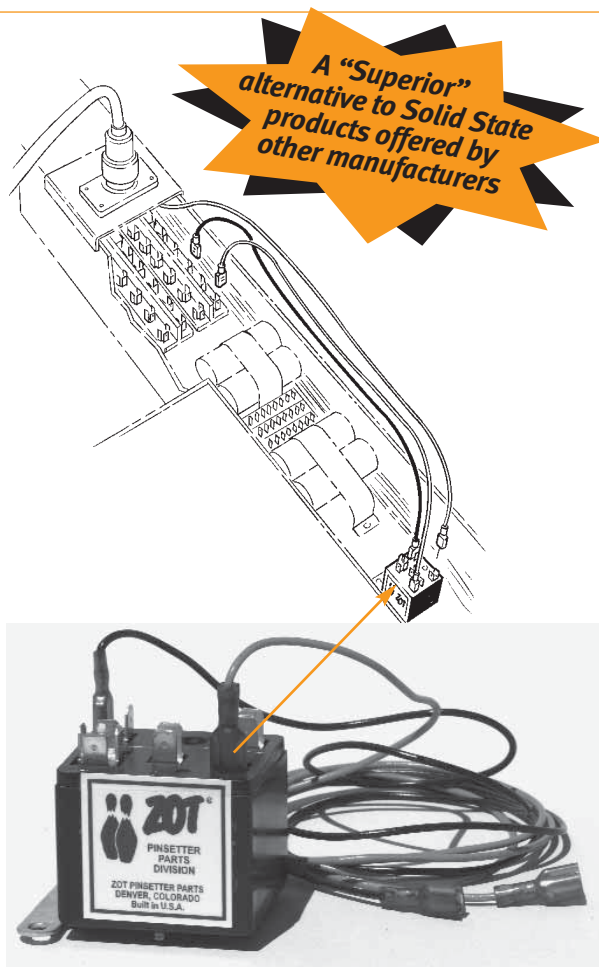
Retains the same dynamic breaking circuit as the centrifugal start mechanism it's replacing.

Reduces motor coasting or creep associated with OEM and various brands of Solid State motor starters

Durable: the ZOT Electronic Motor Start Assembly has a far greater life expectancy than Solid State alternatives.

Senses changes in voltage: The ZOT product senses changes in voltage in the motor start winding, and disconnects the capacitors at the correct voltage, with no fine tuning or intricate adjustments required.

Easy to Install: The assembly mounts in the existing wire channel and uses simple disconnects, with no need to remove the centrifugal mechanism it's replacing.



Corilla Grip Distributor Belt

For 82-70 82-0 Pinspotters

#800130 (12' Long).....\$34.90

For 82-30 Pinspotters

#800133 (165' Long).....\$49.90

(Above part numbers include Belt Lace and Pin)

The best pin grip in the industry: proven by extensive testing in bowling centers

Power pin grips: The belt is designed and used in the catering industry to move light food products up an incline.

Maintains pin grip: Oil and dirt settles in a tire-like tread to ensure the appearance of the belt remains clean and oil free.

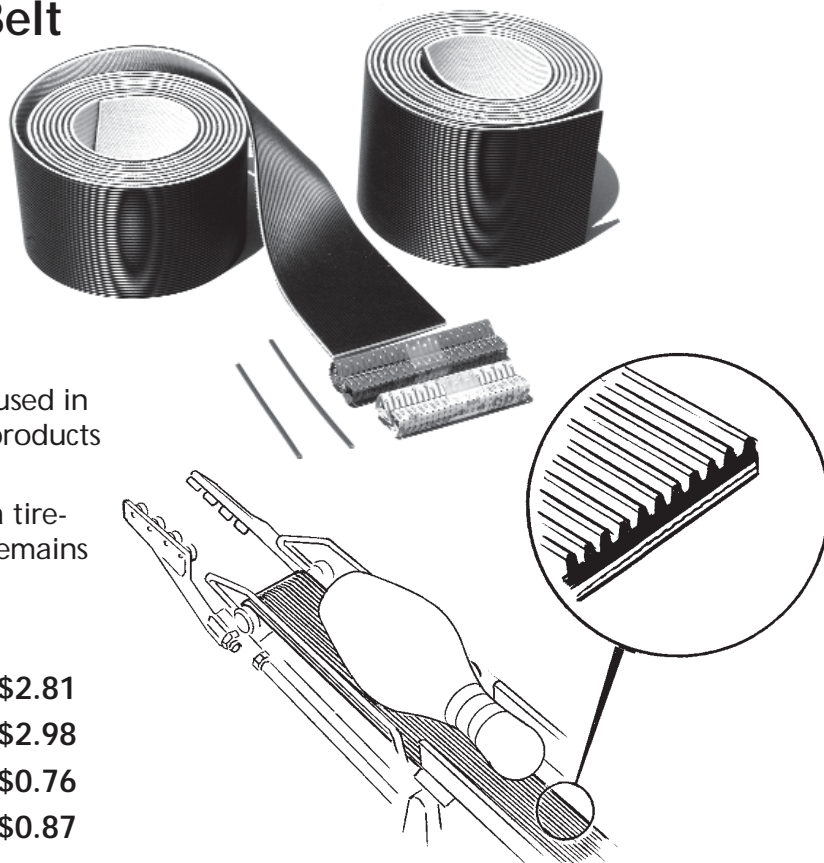
Replacement Parts

#800131 2 3/4" Belt lace for 82-70/0.....\$2.81

#800134 3 1/2" Belt lace for 82-30.....\$2.98

#800132 2 3/4" Belt Pin for 82-70/0.....\$0.76

#800135 3 1/2" Belt Pin for 82-30.....\$0.87



C Dual Lane Controller Chassis

#829001 (115 60)\$2067.00

#829002 (230 50)\$2067.00

An enhanced direct replacement for AMF 82- 0 L 8800 old Dual Lane Chassis

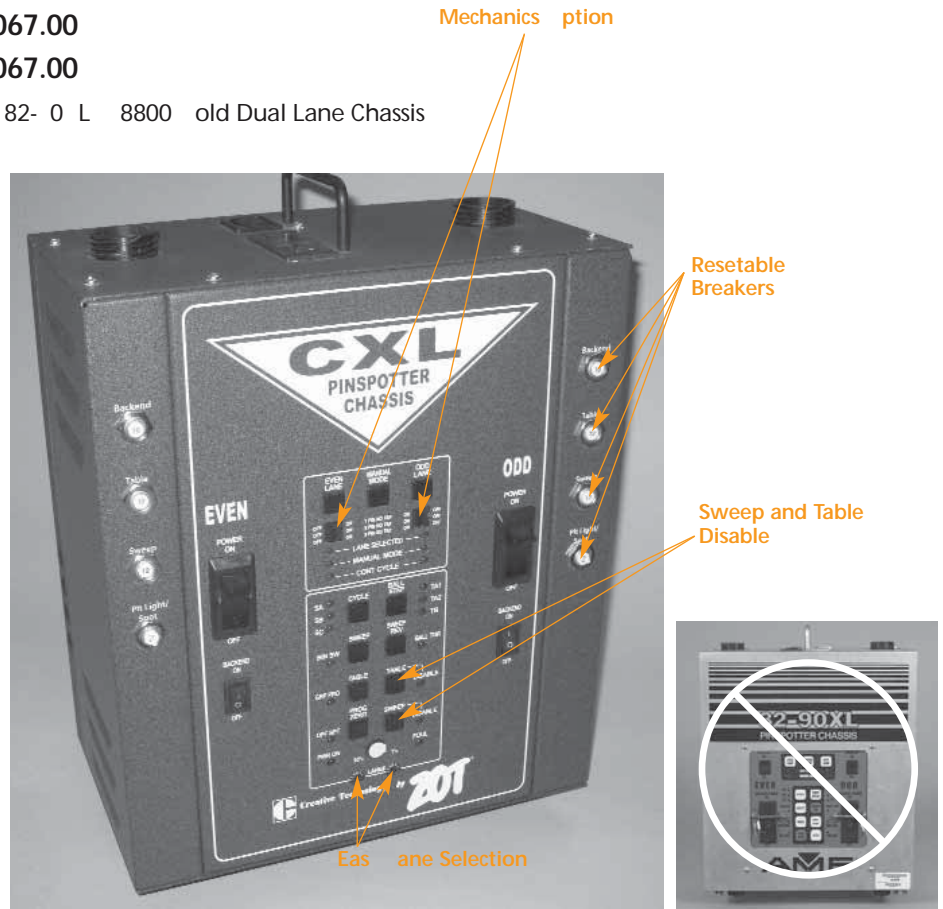
The T C Chassis has all the features of an AM 82-90 Chassis plus the following:

Circuit Protection: The ZOT C L Chassis features four resettable Breakers for each lane for added protection to the fuses in the Pinspotter cabling. If a Breaker trips, simply reset the Breaker after eliminating the cause of the overload.

Note: There are no fuses on an original AMF 82-90 XL Chassis

Additional features on the T C Chassis include Mechanics option switches for:

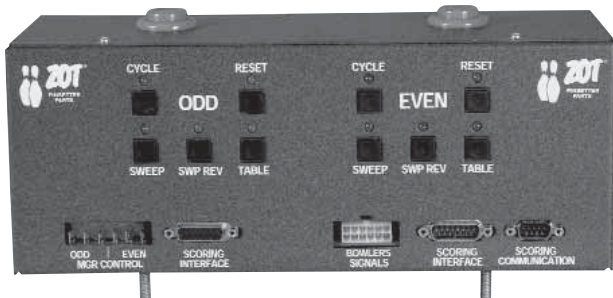
- a) Sweep reverse on Offspot
- b) Foul on Foul off
- c) Inepin o Tap plus:
Sweep and Table Motor Disable pushbuttons
Continuous cycle LED s



Front End Dual Lane Control Bo

#829004\$449.00

An enhanced replacement for an AMF 82- 0 Front-End Control Bo .



The T front End Dual- lane Control Bo :
Can eliminate the MCU with other brands (non AMF) of scoring systems.
Can eliminate the need for the AMF Source Command interface.

Fat Chassis Conversion Kit

#829100 (115 60)Price by quotation

#829200 (230 50)Price by quotation

An upgrade for AMF 82- 0 Pinspotters with Fat Chassis



The #829100 kit includes:
One C L Dual Lane Chassis
One Front End Dual Lane Control Bo

it containing set of 10 each Conversion cables:
#829003\$609.90



Call ZOT at 1-800-525-8116 for more details

82-30 Pinspotter Products

Eagle-Eye Infrared Pin Counter



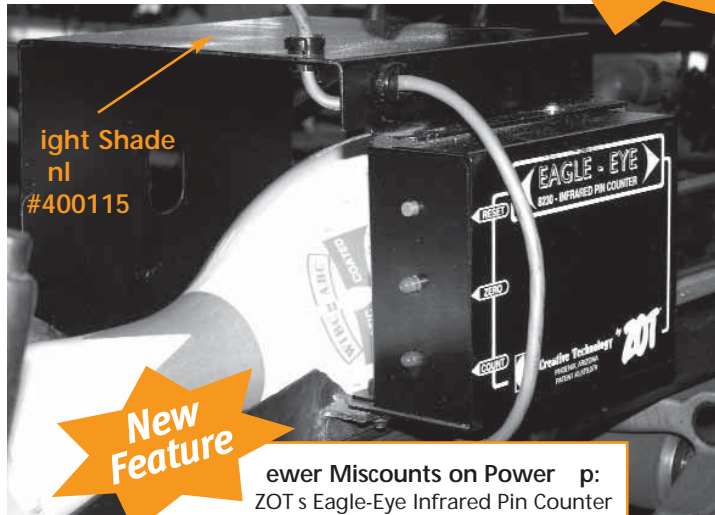
#823005\$169.90

An enhanced replacement for original mechanical pin counters. The Solid State MP Controlled CTI by ZOT Eagle-Eye Infrared Pin Counter for AMF 82-30 Pinspotters is a high-technology designed product that offers benefits not available in the original mechanical pin counters, or other brands of electronic pin counters.

Added Benefits

More Miscounts: ZOT's unique Eagle Eye Pin Counter with Ambient Light Shade eliminates pin miscounts.

Reduced Vibration for longer life: The mounting for the EW Eagle Eye Pin Counter and Ambient Light Shade assembly stabilizes the fixture to reduce vibration which improves performance and increases the life of the unit.



New Feature

Fewer Miscounts on Power Up: ZOT's Eagle-Eye Infrared Pin Counter now includes an independent constant 12 Power Supply for greater reliability and Fewer Miscounts on Power Up

Features and Benefits

Memory Backup: Keeps the Pin Count and or Zero in case of power loss

LED Indicators: Shows the Pin Count and Zero Positions

Microprocessor Efficient: State-of-the-Art Technology simplifies the circuit

Infrared Technology: Sees all current pins, including colored and U Pins

Compatibility: Interfaces with all 82-30 Chassis

Reset Button: Sets the Eagle-Eye to Zero Pin Count

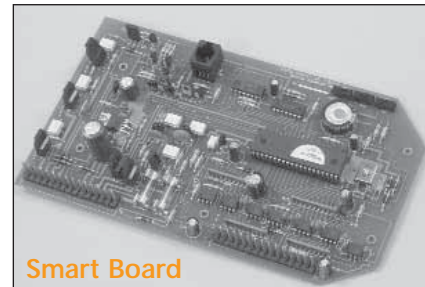
Ease of Installation: The Eagle-Eye unit mounts in existing Pin Counter bracket holes, plus two additional holes that must be drilled



Smart Board for AMF 82-30 Pinspotter Chassis

#823004\$454.50

An enhanced product to restore and improve original AMF 6525 5850 Chassis. The CTI by ZOT Smart Board not only replaces the Stepper Coils it also replaces all of the Relays and Timer Motor.



Smart Board

The Solid State MP Controlled CTI by ZOT Smart Board for AMF 82-30 Pinspotter Chassis is a feature rich product that restores and improves the performance and reliability of AMF 6525 5850 Chassis.

This superior product is easy to install, but ZOT also offers the option of returning your old chassis for factory installation of the board and thorough diagnostics and restoration. Call ZOT for a quotation.

Features and Benefits

Microprocessor Efficient: State-of-the-Art Technology simplifies the circuit

Scoring Interface: Compatible with all Major brands of scoring

Short Cycle Capable: Allows for the Automatic Scoring to communicate on a strike that the table does not go down to feel for pins

Power LED: Indicates when the Smart Board has power

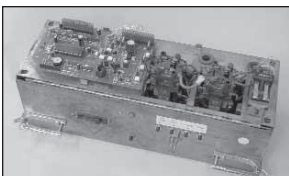
Ease of Installation: All connections made with quick disconnect terminals

Option Switches

Cycle: Allows the pinspotter to be cycled from the managers control when going from Instruct-O-Mat to Bowl

Instruct: Disables managers control for Instruct-O-Mat by keeping power off the machine

Foul: Enables disabling of the foul communication to the machine: without disabling the foul light at the approach



1
CTI b
T

Solid State 82-30 MP Air Chassis

#823001 (115 60) AMF 6525.....\$1036.50

#823003 (115 60) AMF 5850.....\$1036.50

An Enhanced Direct Replacement Chassis for AMF 82-30 Pinspotters



CTI b T 1

Replacement Breakers

#220040 12-AMP\$14.50

#220039 10-AMP\$14.50

Replacement uses or Solid State 82-30 MP Chassis

#220022 15-AMP\$2.35

#220009 10-AMP\$2.10

The New Generation

ZOT has reengineered and designed selected components in the 82-30 MP Chassis and is pleased to introduce the MP Air, a much more user friendly and reliable pinspotter controller for your AMF 82-30 s.

Check these all new added features and Benefits:

Circuit Protection: The original Slow-Blow fuse protection has been replaced with four resettable Breakers, all set at lower amperages than the original fuses, for added protection. If a Breaker trips, simply reset the Breaker after eliminating the cause of the overload.

Air Cooling System: The internal components of the chassis will be air cooled by a fan mounted in the side panel of the unit. Just like a computer, the fan runs at all times when power is applied to the Pinspotter, e.g., from the Managers Control.

Diagnostic LEDs

Power: Indicates when the chassis has power

High Voltage Fault: Indicates when there is a short in the 115 volt circuit

Low Voltage Fault: Indicates when there is a short in the 20 volt circuit

Circle: Lights when machine is in continuous cycle

1st Ball 2nd: Indicates whether the machine is on First or Second ball

Sweep: Lights when button is depressed while operating a Sweep

Table: Lights when button is depressed while operating the Table

Pin: Lights when pin feed solenoid is energized to fill the table

& : Checks all the respot cell switches

Foul: Lights when the chassis receives a signal from the foul unit

Instruct: Lights when machine is on Instruct-O-Mat mode

Operation Switches

Circle: Allows the pinspotter to be cycled from the managers control when going from Instruct-O-Mat to Bowl

Instruct: Disables managers control for Instruct-o-Mat by keeping power off the machine

Foul: Enables disabling of the foul communication to the machine: without disabling the foul light at the approach

Push Button Function Controls

Sweep: Enables running the sweep from the Chassis

Table: Enables running the Table from the Chassis

Reset Program Error: Enables erasing the memory of the Chassis. Also serves as a manual intervention (a safety feature for mechanics) if the Chassis is shut down. This button Must be Depressed to restart machine

1st Ball 2nd: Enables the Mechanic to toggle the machine between 1st and 2nd ball.

Circle: Enables the Mechanic to cycle the machine from the Chassis and operate a Continuous Cycle

Pin: Enables the Mechanic to control the Pin feed solenoid

& : Enables the Mechanic to perform a test of all the respot cell switches

Resettable Breakers

Main Power Circuit Breaker: Shuts down power to the machine

Table Motor: Protects Chassis if motor overloads

Sweep Motor: Protects Chassis if motor overloads

Back-End Motor: Protects Chassis if motor overloads

Solenoid: Protects Chassis if a short occurs



Call ZOT at 1-800-525-8116 for more details

Glow Bowling Products

The promotion that changed an industr ...its good toda ...and it ll still be good tommorrow

Some thoughts about low Bowling

recreation centers centers that have the fle ibility to provide an environ-ment for both entertainment and sport bowling are centers that make the most money and the highest prof-its for proprietors today.

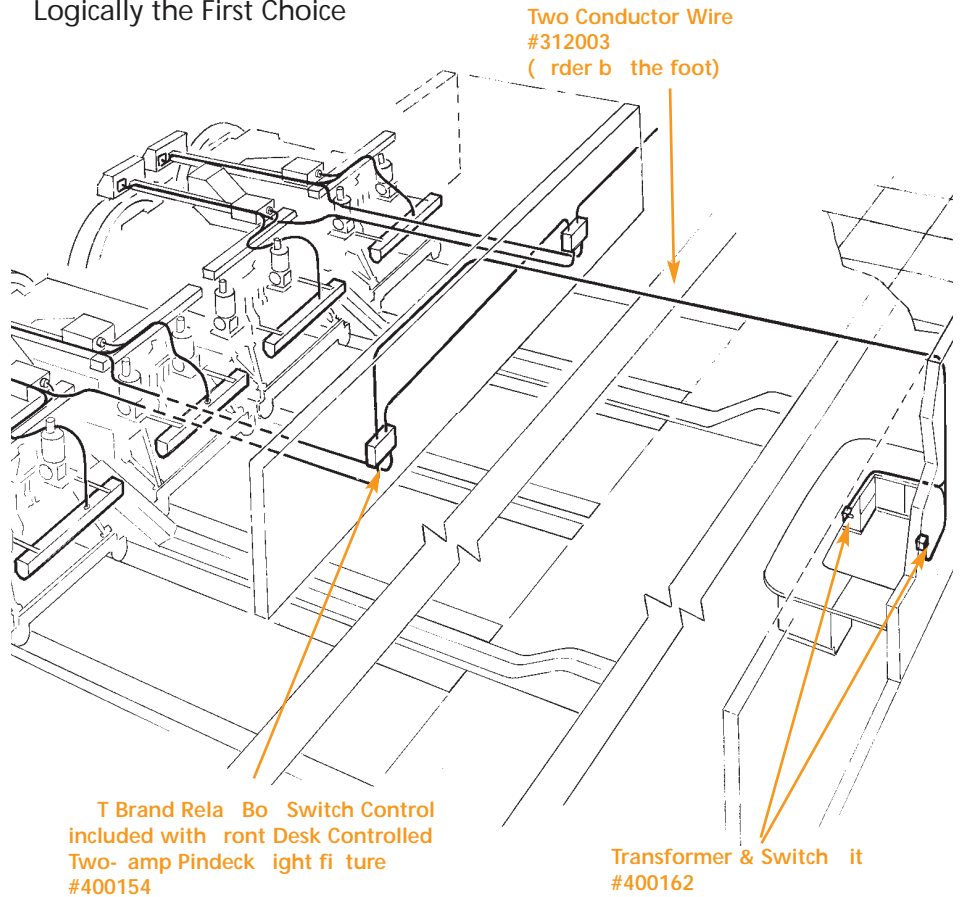
And, there s no better place to start introducing low Bowling than at the pindeck by adding ZOT low Pindeck Light or low ision fi tures. Some proprietors have done it the other way around, added low light-ing to everything in their center e cept the pindeck.

Those proprietors have missed the point. Whether we re talking about Sport or recreation bowling, the game s about pins and trying to knock them down. And, if the pins don t low you re really not in the low Bowling business.

Adding ZOT low Pindeck or low ision Lights is also the uickest and least e pensive way to get started in the low bowling business.

Combine a low Pindeck with a good promotion plan, and your customers and your business will both profit from the low Bowling E perience.

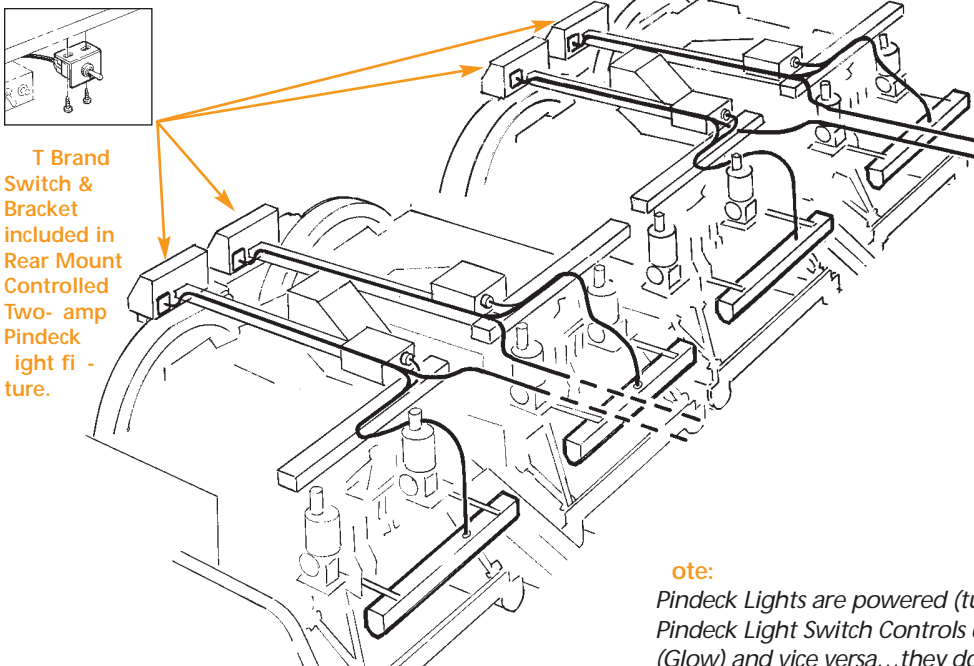
Control up to 24-lanes with ne Switch with T s Front Desk Switch Control Logically the First Choice



2 low Bowling Products

Take Control of our i tures

Control Each lane Individuall with T s Switch Control on the Rear of the Pinsetting machine



When T researched and developed its low Pindeck Light system it was obvious that proprietors were look-ing for options that are the best fit for their individual center needs. For e ample, switch control options that enable switching from white (sport bowling) to ultra-violet (recreation bowling) light from the front desk, or the rear of the pinsetting machine. Both are better options than other brands offered that has the switch control on the fi ture which re-quires the mechanic to walk across the lanes to access the switch and, in full view of your customers. For more details on T low ision and Two-Lamp low Pindeck light sys-tems contact your T Distributor, or call T directly at 1-800-525-8116.

ote:
Pindeck Lights are powered (turned on and off) by the Pinsetter.
Pindeck Light Switch Controls change the lights from White to Black (Glow) and vice versa...they do not turn the Pindeck lights on or off.

T Two-Lamp low Pindeck Light fixture

An opportunity that's too good to miss ZOT's Two-Lamp low Pindeck Light costs less than replacing an original AMF Dual Pindeck Lamp

Front Desk Switching Option
(See page 12 for control)

#420336 (115 60).....\$294.50

MINISTER PAIRS

for all Domestic (US) applications and some overseas markets as appropriate.

#420355 (230 50).....\$314.50

MINISTER PAIRS

for some overseas markets as appropriate.

This option enables switching from White to Black light on all lanes in unison from the front desk.

Note:

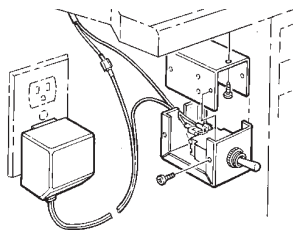
For every two units you order of either of the above part numbers ZOT automatically includes one Relay Box Switch Control and 14' of connecting wire for every two units.



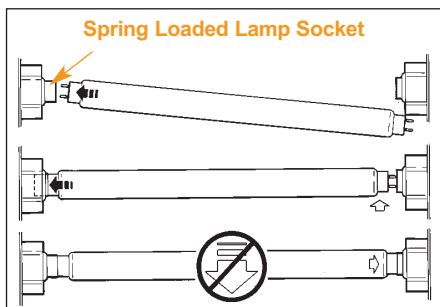
When you order either of the above part numbers you will also require:

A. One length run of wire #312003 for up to 2-lanes to extend from Curtain wall to Front Desk (order by the foot).

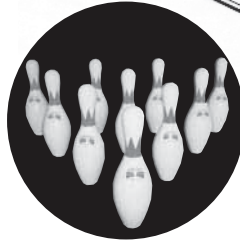
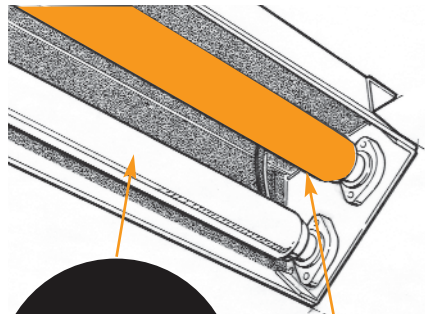
B. One each #00162 Transformer Switch kit (serves up to 2-lanes).



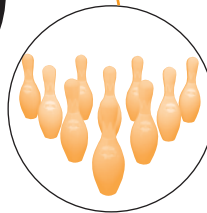
Transformer & Switch Kit
(Order Separately)



Spring Loaded Lamp Socket



One lamp for Sport Bowling



One lamp for Recreation Bowling

All it takes is a flip of a switch to convert your center from a Sport to recreation center and it starts with T Two-Lamp low Pindeck Lights

Rear of Pinsetter Switching Option
(See page 12 for control)

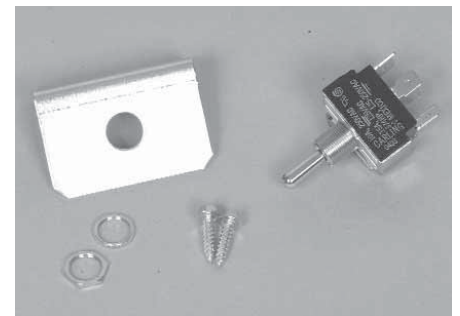
#420334 (115 60).....\$279.50

for all Domestic (US) applications and some overseas markets as appropriate.

#420340 (230 50).....\$299.50

for some overseas markets as appropriate.

This option enables easy switching from White to Black light lane by lane from the rear of the pinsetter. Each unit comes complete with a Toggle Switch and mounting bracket.



Features and Benefits:

Welded Steel Construction: ZOT's Two Lamp low Pindeck light fixtures are built with 20-gauge steel and will withstand years of excessive vibration in the pindeck area.

Spring Loaded Lamp Sockets: ZOT includes Industrial Style Spring Loaded lamp sockets designed to extend lamp life and prevent lamps from shaking loose and shattering on the pindeck. (see illustration)

High Power Ballast: Each ZOT fixture includes Two High-Power Ballasts that yield reliable service and a wide range of power supply.

Compatibility: The ZOT Ballasts are compatible with the original AMF lamps, enabling reuse of lamps you already have. And the mounting holes on the ZOT fixture are of the same dimensions as the original AMF 82-70 Single lamp fixture.

Switching Options Suit our needs: ZOT offers the option of switching from Sport to recreation (low) Bowling from the Front to Desk or the rear of the Pinsetter.

Light Reflective Finish: ZOT's Unique formula Ultra-White finish reflects a high degree of Ultra-violet light onto the pindeck.

ZOT's Two-Lamp low Pindeck light fixtures are recommended for centers with the following scoring systems

- AMF MagicScore
- AMF AccuScore
- AMF AccuScore Plus
- AMF Boss Scoring
- Brunswick AS 80
- Other Brands

FrameWork with PS Cameras and many other current model scoring systems available from independents, including: Ubica, Steltronic Twelve-Strike.

Make sure camera software upgrade - call T for details.



Call ZOT at 1-800-525-8116 for more details

Glow Bowling Products

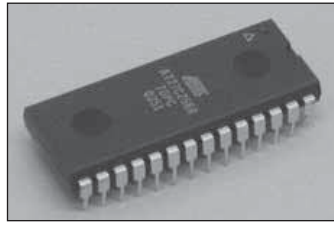
Light Sensitive Processors for AM Scoring

AccuCam I Processors

#400235\$13.50

This processor chip has been designed to give the camera the ability to read pins under both White Light and Black Light.

This current software development helps eliminate miscount of pins under all light conditions.



AccuCam II Processors

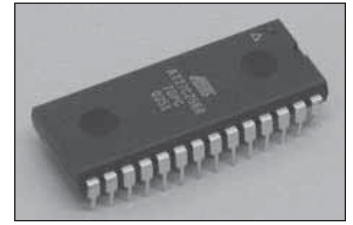
#400236\$18.50

AccuScore Plus Processors

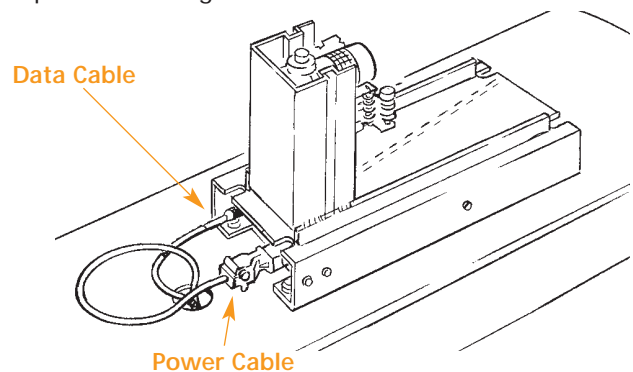
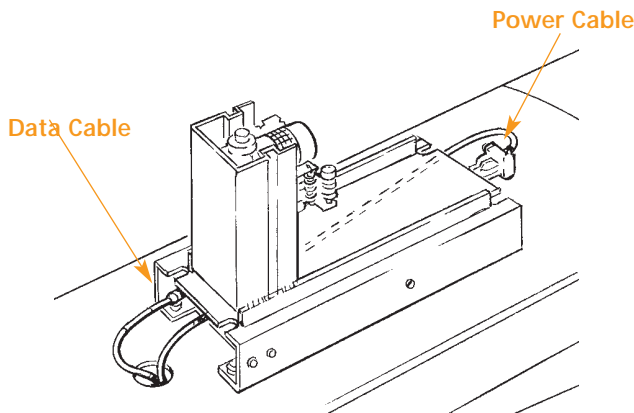
#400257\$18.50

This processor chip has been designed to give the camera the ability to read pins under both White Light and Black Light.

This current software development helps eliminate miscount of pins under all light conditions.



2 Low Bowling Products



Upgrades for T Dual Pindeck Lamp Features

The two kits listed below are used to convert switching ZOT Two-Lamp Low Pindeck Lights from the rear of the machine to the location of your choice (e.g., the Front Desk)

Features and Benefits:

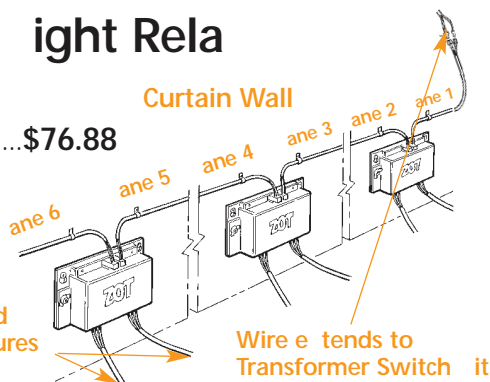
Replaces toggle switch at rear of Pinspotter with relay controller.

Enables switching from White to Black (Low) light to be managed from the Front Desk, Mechanics Tool Room or any other remote location as needed

Enables switching from White to Black (Low) Light on up to 2-lanes in unison.

Pindeck Light Relay Control

#400154\$76.88



Notes:

One Relay Controller operates a pair of lanes

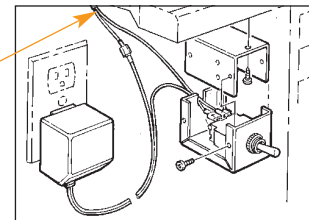
Requires one Two-Conductor Wire runs per 24-lanes (not included) to connect Front Desk Transformer & Switch Kit to Relay Control at Curtain Wall. Order #312003 (order by the foot)

Requires #400162 to operate

Transformer & Switch Kit

#400162 (115 60)\$79.50

Wires tend to Relay Control



#400212 (230 50)\$89.50

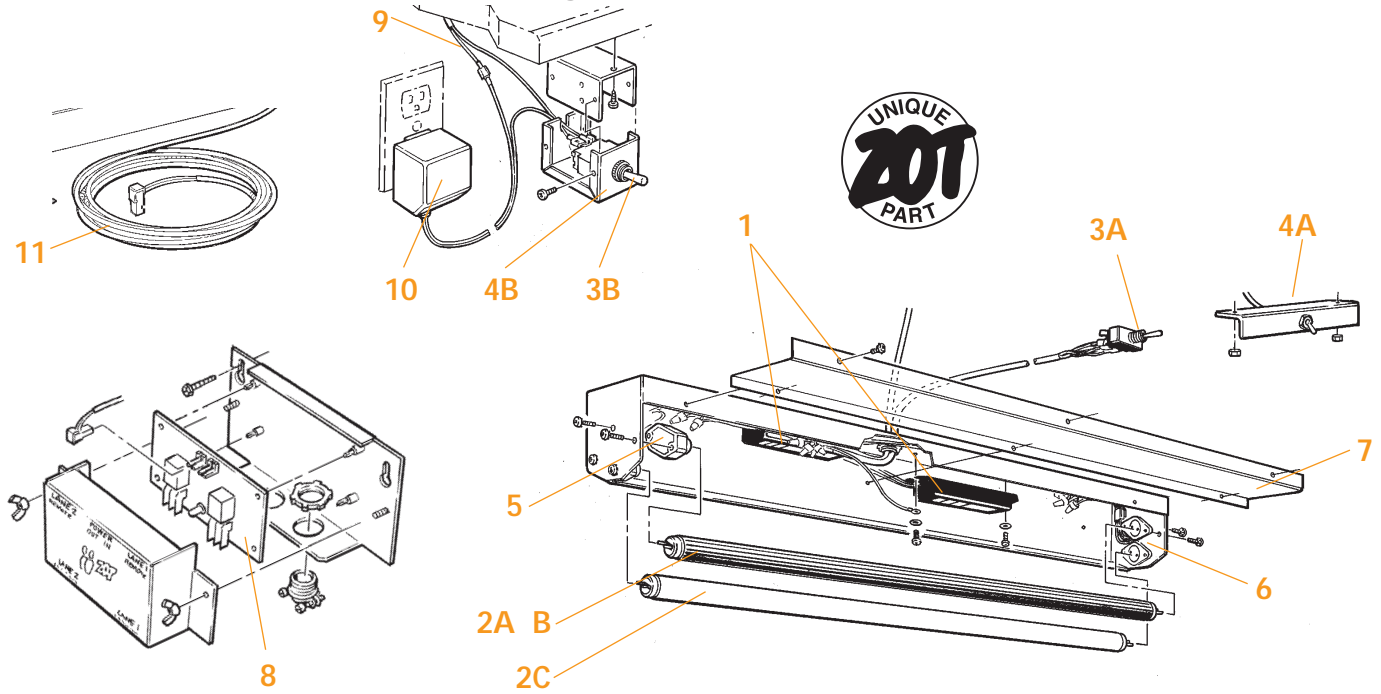
Transformer: Plugs into wall outlet and supplies power to the relay Controller

Notes:

One transformer and switch kit can operate up to 24-lanes

Some overseas applications may require a different transformer to those listed. If the transformer is being sourced locally, to purchase the Switch and Mounting Box only, order: #400163

Spare Parts for Pindeck Lights



Note: To order individual parts refer to parts grid shown below

Item	T #	Description	Item	T #	Description
1	2 0015	Single Lamp Ballast (115 volt 60) (5-wire multi purpose 30 Watt)	B	00161	Switch Bracket (Front Desk Control)
2A	2 0010	36 Lamp F30 T8 BLB (Black Light Blue)	5	33002	Spring Loaded Lamp Socket (ZOT)
2B	2 0015	36 Lamp F30 T8 BL (Black Light)	6	330030	Stationary Lamp Socket (ZOT)
2C	2 0012	36 Lamp F30 T8 D (Day Light)	7	62015	ZOT Ballast Cover
3A	300023	Toggle Switch (SPDT) (Rear Machine Control)	8	310	PC Board Only (ZOT Relay Controller)
3B	300026	Toggle Switch (DPDT) (Front Desk Control)	10	00160	Transformer (Front Desk Control)
4A	620160	Switch Bracket (Rear Machine Control)	11	0058	Wire Harness 2 Conductor 1 ft. (Relay Controller)

Call T for pricing

2/3
Low Bowling & Unique Parts

Flat Utter Anchor

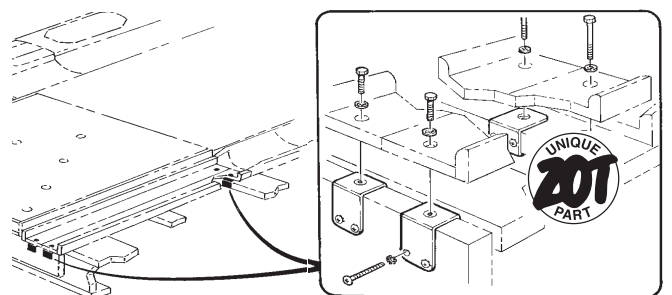
#420343 Complete One-Lane Kit\$68.50
(Includes hold down screws and 1/2"-Threaded Steel Flat Utter Anchors for tail-plank end, 1/2"-Threaded Steel Flat Utter Anchors for cross foundation to secure 2 Flat utters)



#420361
Individual Anchors,
Tail Plank End.....\$13.62



#420362
Individual Anchors,
Cross Foundation\$11.87



Call ZOT at 1-800-525-8116 for more details

Unique Parts

Front Mounted Steel Steps

For AMF 82-70 82- 0 Pinspotters

#420468\$99.50

Introducing a New Product at an Introductory Price

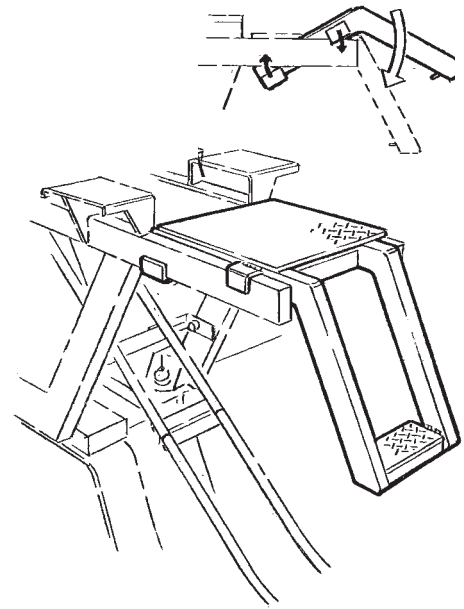
This is the product mechanics have been asking for Steel Steps that enable easy and safer access to AMF 82-70 82- 0 s from the front of the pinspotter.

Features and Benefits:

Easy to Install: The steps simply hook in place and can easily be moved to another pair of lanes.

Easy and Safer Access to the Pinspotter: From the front of the machine, saving time and energy or attempting to scale the machine by standing on machine parts.

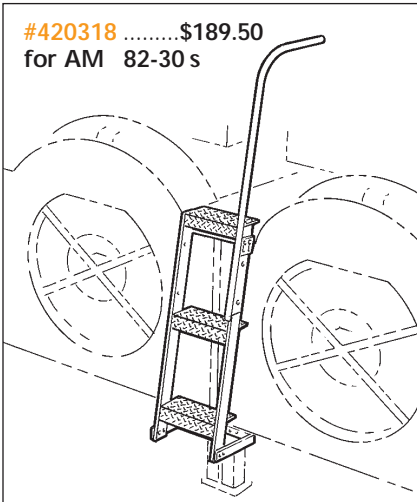
Suitable for all 82-70 & 82-90 Installations: Where the mask unit is mounted approximately 2-feet (or more) from the front of the Pinspotter.



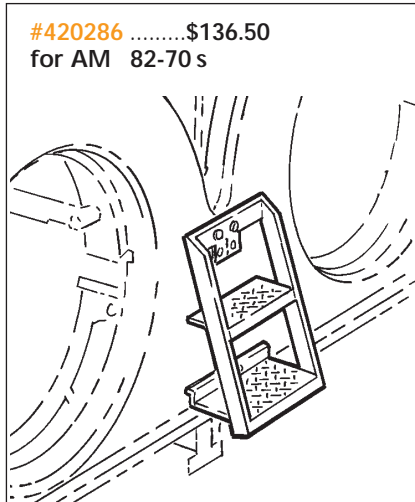
Steel Steps

If climbing onto your pinspotters seems like climbing Mount Everest Install These All Steel Steps Today

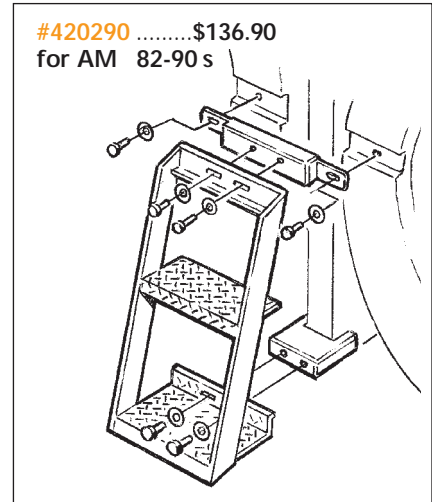
#420318\$189.50
for AM 82-30 s



#420286\$136.50
for AM 82-70 s



#420290\$136.90
for AM 82-90 s



Features and Benefits:

Increased Safety in the Work Place: No more hazardous climbing up the rear of AMF Pinspotters. ZOT Steel Steps, which feature Diamond Plate Tread on the risers, make access to your pinspotters easier and safer than its ever been.

Easy Installation: ZOT's All Steel Steps simply bolt onto the back of the machine, using existing holes, and hangs on the rear elevator.

Does not turn the Back End Aisle Space into an Obstacle Course: The mounting of the steps, which projects approximately 6" (.16M) from the back end of the machines, begins at the level of the first riser, leaving the aisle and floor space free for easy access and cleaning.

Note:

The Steps for AMF 82-30's can be unhooked, and lifted from the machine, without removing any bolts.

Cushion Weldmet Repair Kit

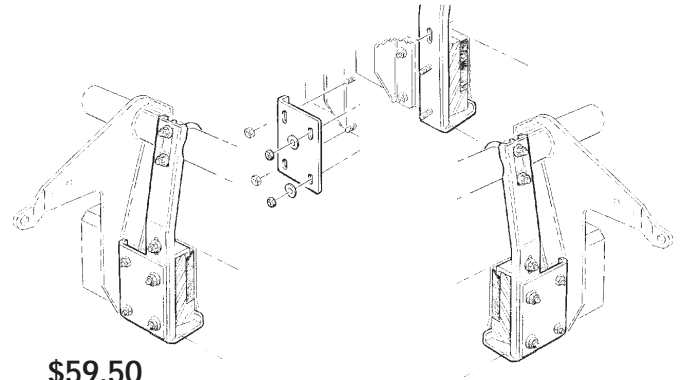
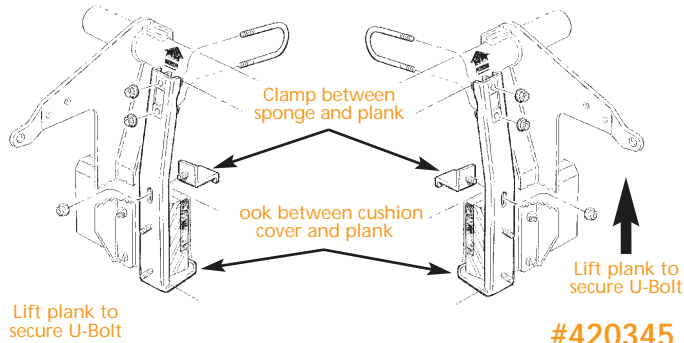
For AMF 82-70 Pinpointers

#420344.....\$59.50
(Ball Door Side)



Here's the (Temporary) Fix

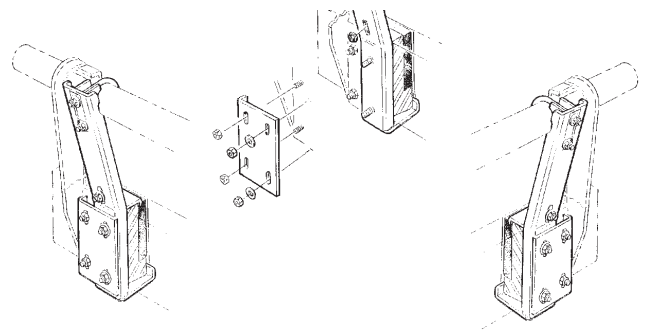
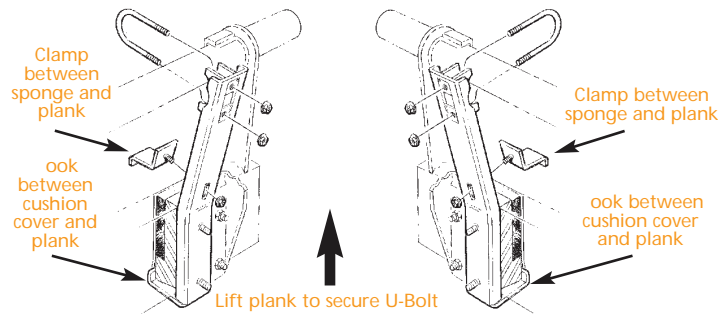
Here's the (Permanent) Fix



#420345.....\$59.50
(Opposite Ball Door Side)

Here's the (Temporary) Fix

Here's the (Permanent) Fix



Features and Benefits:

Virtual no down time: If either end of the cushion weldmet breaks the machine can be fully operational within minutes with a ZOT repair kit.

Temporary or Permanent Repair: It's your choice. The ZOT Cushion Weldmet repair kit enables you to make an instant temporary repair. At a more convenient time you can add ZOT's Universal Mount Plate (included in the kit) for a permanent repair solution.

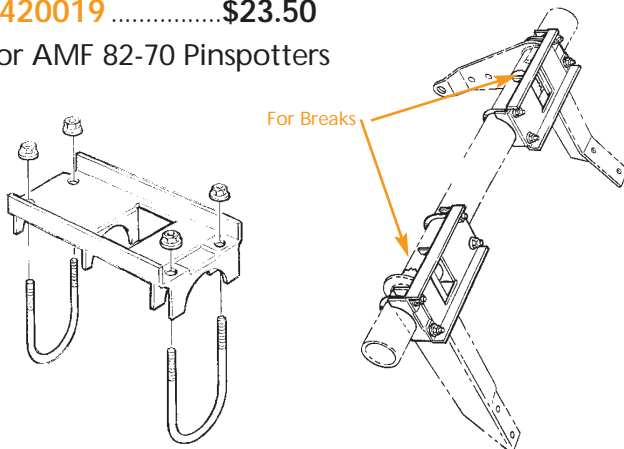
Universal Application: The repair kits fit either left or right handed machines and any brand of cushion weldmet.

Easy to Install: No welding No dismantling Bolt-on application for either temporary or permanent repair.

Cushion Support Center Tube Repair Kit

#420019.....\$23.50

For AMF 82-70 Pinpointers



Features and Benefits:

Virtual no down time: If the center tube of the cushion breaks the machine can be fully operational within minutes with a ZOT repair kit.

Temporary or Permanent Repair: It's your choice. The ZOT Cushion Support Center Tube repair kit enables you to make an instant repair.

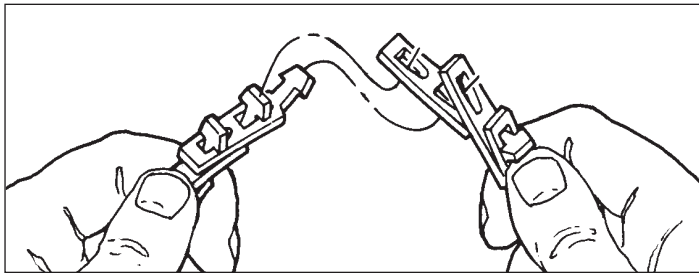
Universal Application: The repair kits fit either left or right handed machines and any brand of cushion weldmet.

Easy to Install: No welding No dismantling Bolt-on application that only requires adding nuts to two U-Bolts for either a temporary or permanent repair.

Unique Parts

Link Belt

Tired of having to stock dozens of belts in dozens of different lengths only to find you're missing the one you need, when you need it most? Purchase both sizes (12" & 58") of ZOT Link Belts and you'll no longer need to worry whether you have the right combinations of matching belt lengths in inventory. ZOT's Link Belt comes in 20-foot lengths per box, and, with a simple twist of the wrist, you'll have a belt that's a perfect fit for your needs.



Features and Benefits:

- Permanent Replacement** of endless and spliced belts.
- Eliminates** need to stock extensive line of replacement belts.
- Easy Installation** without dismantling pinsetter drives.
- Extended Life** because of Oil and Chemical resistant composite polyurethane polyester construction.

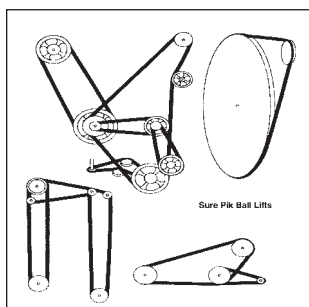
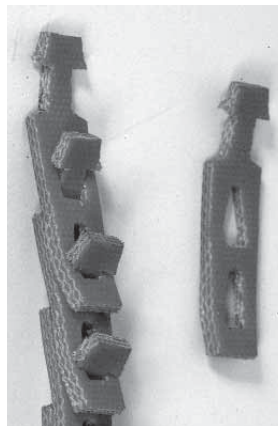
#420190.....\$189.50



#420189.....\$167.50



- Suitable for:
- All 5 Carpet Drive Belts (12")
 - Ball Elevator Drive Belt 58 (12")
 - Ball Elevator Secondary Belt (12")
 - PBL Elevator Drive Belt 10 (12")
 - PBL Elevator Drive Belt 38 (12")
 - PBL Elevator Tatchet Belt 5 (12")
 - Spectrum Ball Lift 70 (12")
 - Spectrum Ball Lift 36 (12")
 - Sure Pik Motor to Pulley 7 (12")
 - Pin Elevator Belt (58")



Unique Parts

Adjustable Bin Strap Kit

For AMF 82-70 Pinsetters

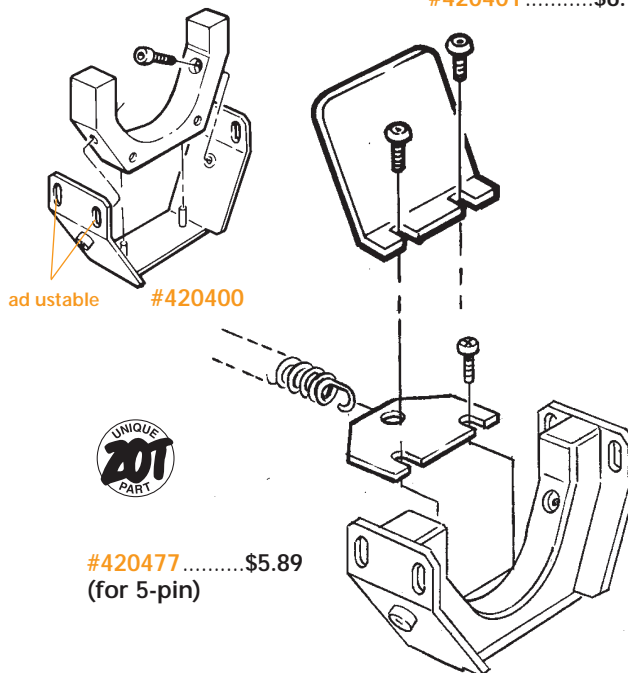
#420400.....\$35.80

ZOT's Adjustable Bin Strap Kit solves multiple Bin, Shuttle and Table problems with a single product.

Features and Benefits:

- Engineered for Ease of Adjustment:** With ZOT's Adjustable Bin Strap, matching the height of the Bin to the Shuttle and Table is no longer a major task.
- Saves Time:** Gives the mechanic a quick and easy way to maintain Bin adjustments.
- Decrease Parts:** Eliminating the () rubber bumpers with (1) bolt-on pin protector.
- Increase Pin Life:** ZOT's Blue Diamond Series Urethane Pin Protector adds to the life of your pins.
- Eliminate Double Shuttles:** By adding ZOT's optional Bolt-on Guide Plate (20 01).

#420401.....\$6.78



#420477.....\$5.89
(for 5-pin)

Front Ball Lift Relay Board

For all centers with Brunswick S Style Front Ball Lifts with two Lift Wheels/Tires

400208\$199.50

ZOT's Front Ball Lift Relay Board is a direct replacement for the relay board on all Brunswick S Style Front Ball Lift Assemblies with two Wheels or Tires, including AMF, Brunswick, Murrey and Advantage.

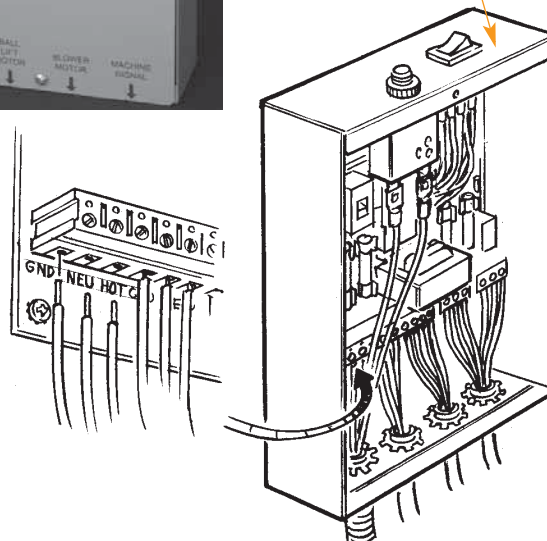
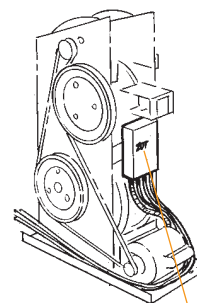
Check out these benefits:

Easy to Service: The entire relay PC Board can be changed in minutes.

Easy to Install: The relay board can be changed in minutes. All wire connections feature solderless fittings.

Simple Design: Eliminates expensive military style connector

Circuit Protection: The Motor Circuit features a resettable breaker: When a ball-jam occurs simply clear the jam and reset the breaker.



Saw Tooth Kicker Wheel

#680001\$10.97



ZOT's Saw Tooth Kicker Wheel has design features that significantly improve the performance of AMF 82-30 82-70 Pinspotters with Kicker Style Ball Returns.



20% softer for superior ball grip.

Features and Benefits:

Saw Tooth: Designed to create a Ratchet like affect that prevents ball slippage, thereby ensuring a positive drive to the kicker wheel.

Urethane Formula: The urethane used in ZOT's Saw Tooth Kicker Wheel is formulated to retard oil and have incomparable gripping power.

Hexagonal Insert: The hexagonal Center Mounting Hub is designed to reduce the possibility of tear out.

Universal Design: ZOT's Saw Tooth Kicker Wheel will work effectively on odd or even lanes without being affected by the direction of rotation.

Trane

Enhanced Ball Return Assembly Pad

For AMF 82-30 82-70 Pinspotters with Kicker Style Ball Returns

#420402\$32.90

ZOT's specially formulated Blue Diamond Urethane Enhanced Ball Return Assembly pads solve a myriad ball return problems.



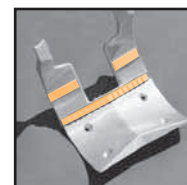
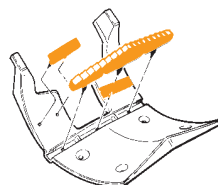
Features and Benefits:

Engineered for More Positive Ball Return: A pad featuring a series of Positive Drive grooves create a ratchet like affect to the ball return, and two Pressure-Control pads increase ball-surface contact with the kicker wheels.

Fewer Ball Calls: The ZOT Ball Return Pads significantly enhance the assembly's ability to return ball after ball.

Faster League Times: With fewer balls rolling back into the pit carpet area league times are significantly reduced.

Increased Customer Satisfaction: Faster league times with fewer ball-calls makes the game that much more enjoyable.

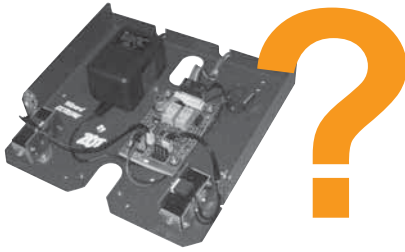


Unique Parts



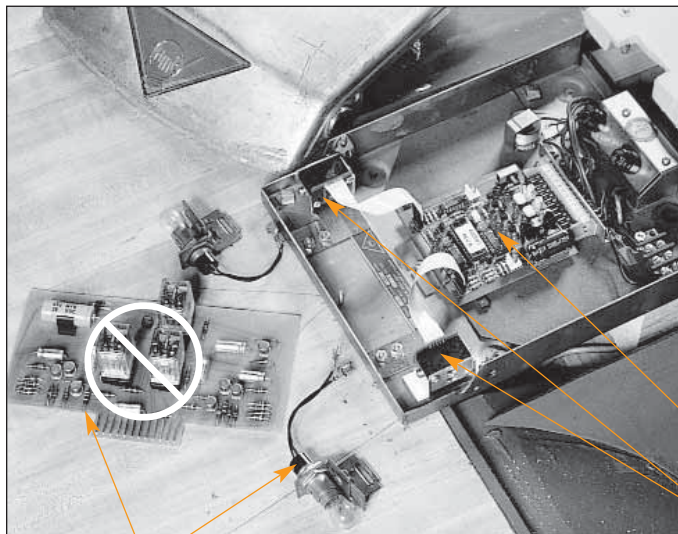
Call ZOT at 1-800-525-8116 for more details

How to select the right Foul Detector product for your center



ZOT's Wizard 'Extreme' Foul Detector is universally recognized as the most reliable product in the industry. No other brand can match the features included in the ZOT product.

If you have:	Order:
Subway (Underlane) Ball returns replacement for AMF Adaray 82-68, 82- , 82-120 Adaray Plus	Wizard Extreme #400290 (115 60) or #400291 (220 50) (See Page 22 23)
Subway Ball returns with no 115 available at the foul line (replacement for AMF 82-08 Adaray)	Wizard Extreme Foul Detector Covers Package #420294 (plus Wire harness #400302) (See Page 22)
Surface (overlane) Ball returns (replacement for AMF 82-08 Adaray)	ZOT Wizard Extreme Surface #400301 (See Page 2)
Modification (Upgrade) for AMF 82-120 Adaray Systems	Wizard Enhanced P.C. Board #400074 Wizard Infrared Head Conversion #400076 (See Page 20)
Modification (Upgrade) for AMF Adaray Plus	AMF Adaray Plus Foul Detector Conversion #400272 (see page 21)



Wizard Enhanced P.C. Board

#400074\$109.50



Wizard Infrared Head Conversion

For AMF 82-120 Adaray Systems

#400076\$129.50

Enhanced P. C. Board

Infrared Head

Removed Original Parts

Features and Benefits:

Simple Plug in Installation: The ZOT Enhanced P.C. Board simply plugs into the existing equipment, with no modification necessary.

Alignment Indicator: A 3-unit LED system indicates when the signal is strongest. This aids the installer and the mechanic, should realignment ever be necessary.

Self Diagnostics: ZOT's exclusive micro processor circuit automatically checks sensor signal levels every time you switch the unit on, and every time there is a foul.

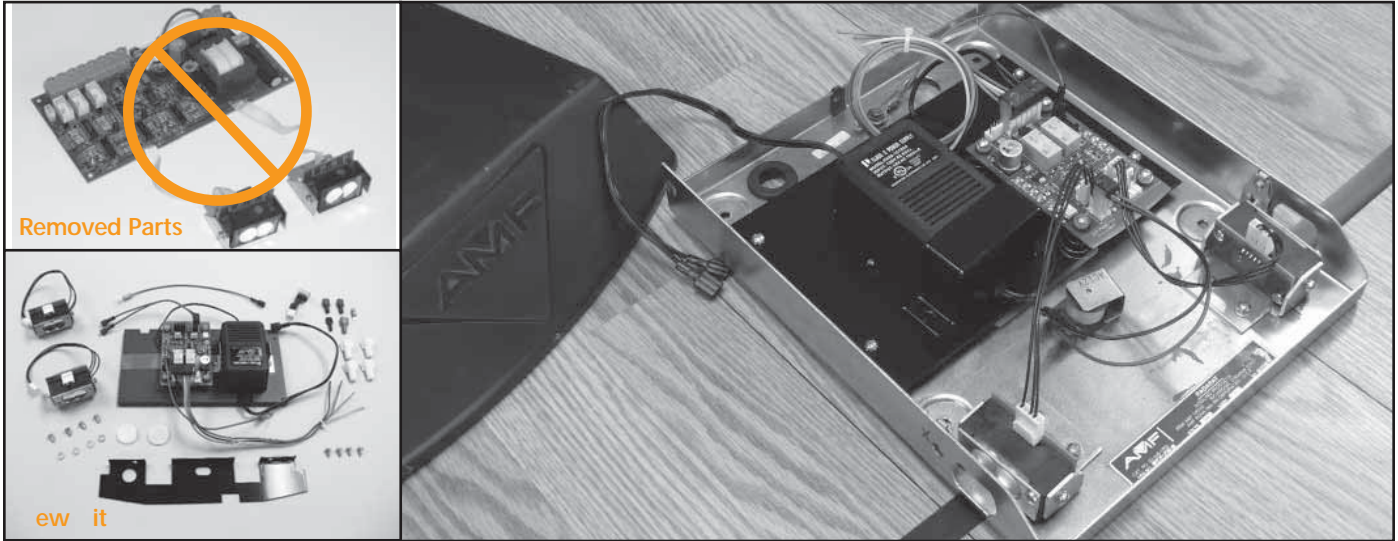
Easy Conversion to Infrared: The ZOT P.C. Board operates with the original photo cell and bulbs, but it also includes the drive circuit for Infrared sensors. The ZOT Infrared Sensor Source is Solid State Diode rated for millions of hours of dependable service – a great improvement over the 2,000 hours rating of the old incandescent bulbs.

Easy to Install: The ZOT Infrared Head Conversion simply plugs into the ZOT Enhanced P.C. Board.

All the features of the ZOT Wizard: That's what you get when you complete your upgrade and combine the ZOT P.C. Board with the ZOT Infrared Head.

AM Radara Plus Foul Detector Conversion

#400272\$196.50



Replaces all problem parts: e.g. New Transformer, New Sensors and Main PC Board.
Cost Effective: the new ZOT parts will run trouble-free for the next 20-years.
All Modular Design: all individual components simply plug into the PC Board, making troubleshooting and replacing parts easy.
Self Diagnostics: ZOT's microprocessor automatically checks the sensors every time a foul occurs and the unit will turn itself off automatically, one lane at a time, if it detects a problem.

Alignment Indication: a 4-unit LED system indicates signal strength, assisting the installer and or mechanic in aligning the sensors.
Light Source Recognition: ZOT's infrared design features a special operational frequency for its emitter and receiver communications. Matching this frequency eliminates being affected by alternate light sources, e.g. overhead and cosmic glow lighting.
Vibration Protection: The PC Board is mounted on a shock-absorbing buffer that minimizes ball-impact vibration that can damage delicate circuitry common to PC Boards.

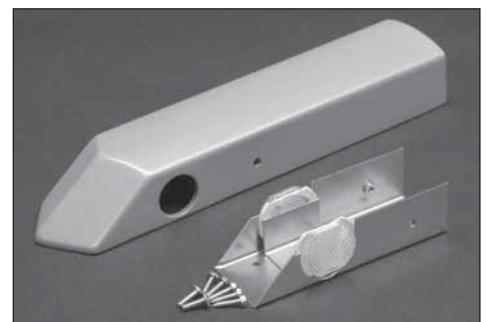
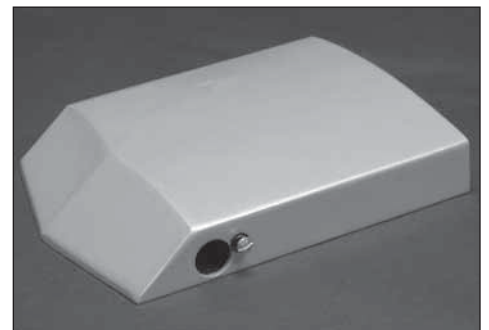
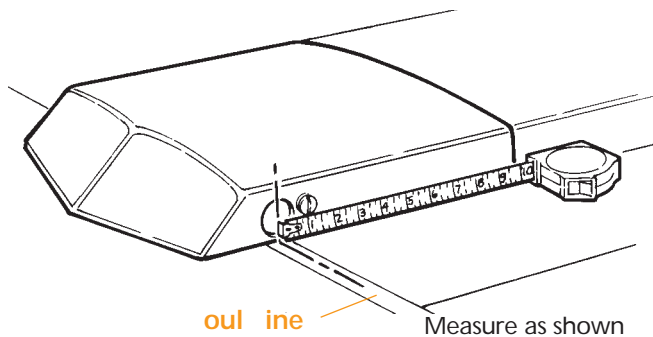
Wide Metal Foul Detector Covers

- #420295 (Wide) Ball Return Cover Black\$109.50
- #420296 (Narrow) Divider Trim Cover Black\$89.20
- #420191 (Wide) Ball Return Cover Aluminum.....\$109.50
- #420192 (Narrow) Divider Trim Cover Aluminum.....\$89.20

Features and Benefits:

Finish: Available in Black or Aluminum.
Rugged Construction: ZOT's Metal Foul Detector Covers are designed and manufactured for decades of trouble free service.

Replacement for AM Radara Sensors: with 5/8 (.25 M) Trim End to Foul Line, including: AMF 82-68, 82-70, 82-120 and current product line.



4
Foul Detectors

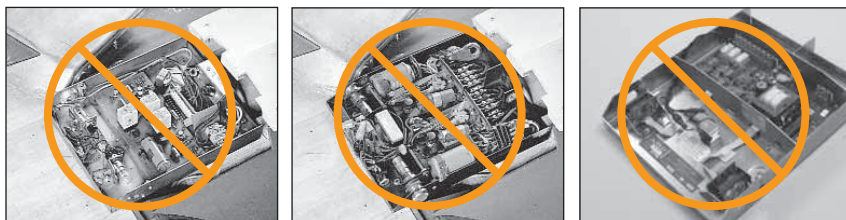
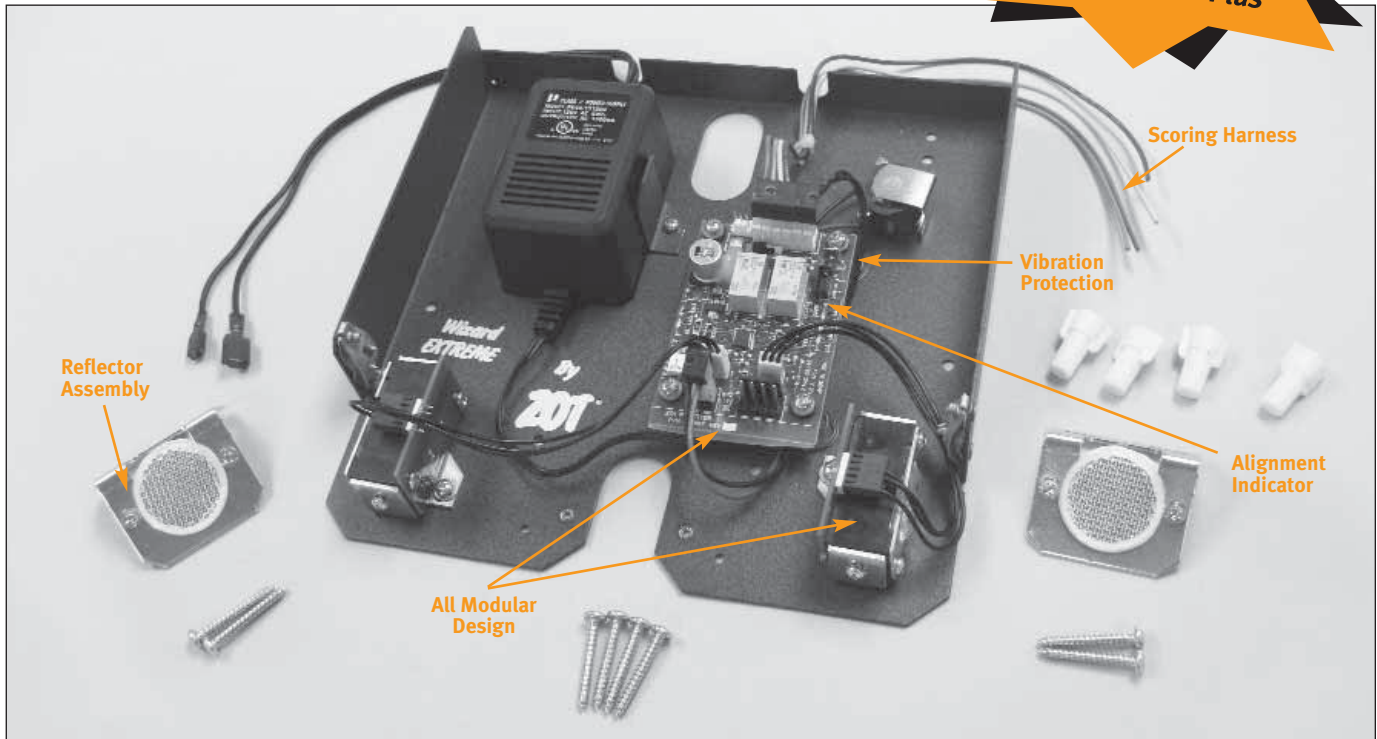
Foul Detectors

The Wizard Extreme

For AMF Subway Ball returns

#400290 115 60\$359.50

#400291 220 50\$359.50



replaces AM Radara 82-68
82-94 82-120 & Radara Plus



Available from T. No other manufacturer or supplier offers a foul detector unit that even comes close in terms of features and benefits. Check it out for yourself.

4 Wizard Extreme Features and Benefits:

Foul Detectors

Infrared Technology : The ZOT Wizard Extreme features an infrared sensor that is solid state and rated for millions of hours of dependable service. Infrared sensors eliminate old incandescent bulbs.

Alignment Indicators: A -unit LED system indicates signal strength. This aids the installer and or mechanic in the alignment of the sensors.

Automatic Scoring Compatible: ZOT Wizard Foul Units transmit the proper signal needed to communicate with automatic scoring systems. Changing the signal is as easy as: either flipping a switch.

Marginal Signal Alert: ZOT Wizard and Foul Units will alert the mechanic to pending problems. Four different sequences of buzzer signals can occur if the unit has a failure allowing the mechanic to troubleshoot.

All Modular Design: All the individual components simply plug onto the PC Board, making troubleshooting and the replacement of parts simple.

Self Diagnostics: ZOT's microprocessor automatically checks the sensors every time there is a foul. If the any Wizard unit detects a problem it will automatically turn itself off... one lane at a time.

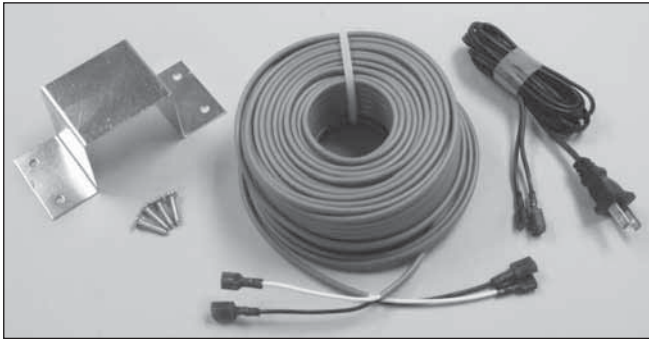
Remote Switching: ZOT's Wizard Extreme can be disabled remotely lane by lane (e.g., from the front desk), in centers with compatible scoring systems.

Note:
To order the older model Wizard Plus use Part #400140

If you need Spare Parts for an original ZOT Wizard Plus refer to the Spare Parts List on Page 25

Wide Extreme

For AMF Subway Ball Returns



Low Voltage

Centers with no 115 power supply available at the approach area should order the ZOT Wide Extreme Foul Detector and Covers package (see facing page).

Wire Harness

#400302 3.0

Note:

If your pinspotter requires 120 AC to sweep the pins after a foul (e.g., AMF 82-30 Pinspotter), contact ZOT for a conversion board (#400100)

It Requires: A standard 115 volt duplex outlet to plug the transformer into for supplying power to the Foul Unit. (e.g. on the curtain wall).



Wide Extreme - Spare Parts:

Description	Part Number
Spare Parts Kit	002 2
PC Board	310 7
Sensor Block Assembly	310
Reflector Only	800157
Reflector Assembly	0016
Foul Signal LED, Including holder and harness	01 5
Scoring harness (Bswk)	0155
Scoring harness (AMF)	0153
Buffer Assembly	00170
Transformer Assembly (115 60)	00281
Transformer Assembly (220 50)	002 3
Sensor harness (3-wire)	01 6



Note:

AMF Centers requiring Foul Indication at the Foul Line should add Foul Signal LED holder and harness

#440145 2.0

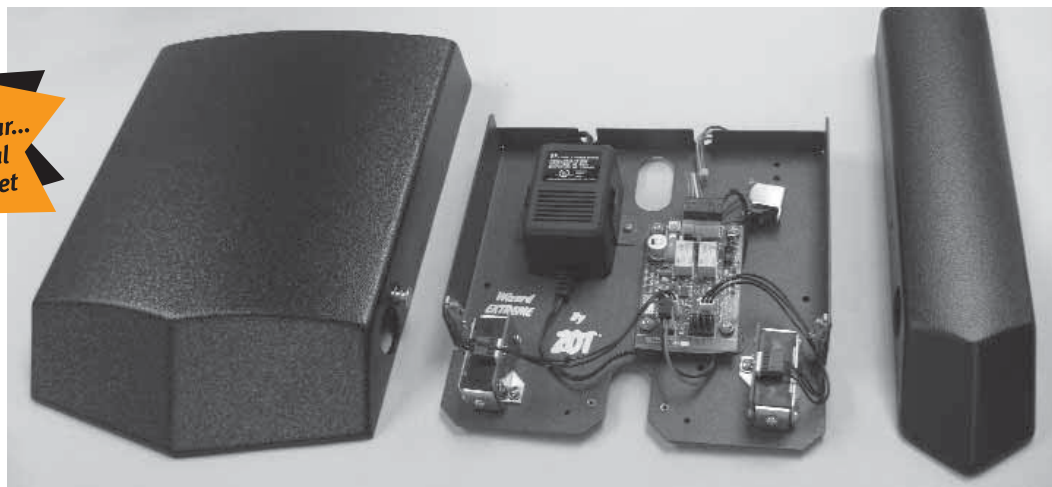
Call ZOT for pricing

Wide Foul Detector and Covers Package

#400294 \$449.50

Package includes: ZOT's Wide Extreme Foul Detector One Wide and One Narrow Black Metal Cover

*"Replacing Foul Detectors improves the Bowler's Experience...
Replacing Foul Detector Covers Improves the Image of your Center"*



For individual product information including features and benefits See pages 21 and 22.

Foul Detectors

Features and Benefits:

Infrared Technology : ZOT Wi ard Foul Units feature infrared sensors that are solid state and rated for millions of hours of dependable service. Infrared sensors replacing troublesome incandescent bulbs.

Self Diagnostics: ZOT's microprocessor automatically checks the sensors every time there is a foul. If any Wi ard Foul Unit detects a problem it will automatically turn itself off . . . one lane at a time.

Alignment Indicators: A -unit LED system indicates signal strength. This aids the installer and or mechanic in the alignment of the sensors.

All Modular Design: All the individual components simply plug onto the PC Board, making troubleshooting and the replacement of parts simple.

ibration Protection: The PC Board is mounted on a shock-absorbing buffer to minimize ball impact vibration that can damage delicate circuitry common to PC Boards.

Marginal Signal Alert: ZOT Wi ard Foul Units will alert the mechanic to pending problems. Four different sequences of buffer signals can occur if the unit has a failure allowing the mechanic to troubleshoot.

Microprocessor Efficient: All ZOT Wi ard Foul Units have State-of-the-Art Microprocessor technology. This simplifies the circuitry, making all Wi ard Units more cost effective and reliable.

Automatic Scoring Compatible: ZOT Wi ard Foul Units transmit the proper signal needed to communicate with automatic scoring systems. Changing the signal is as easy as: either flipping a switch or moving jumpers to a different set of pins.

o need for an Electrician to Install: The ZOT Wi ard (Surface) comes with a Transformer and Low voltage supply cable allowing a Mechanic to complete the installation with no added help.

ight Source Recognition: ZOT's infrared design features a special operational frequency for its emitter and receiver communications. Matching this frequency eliminates an affect from alternate light sources: e.g. overhead lighting, and cosmic glow lighting.

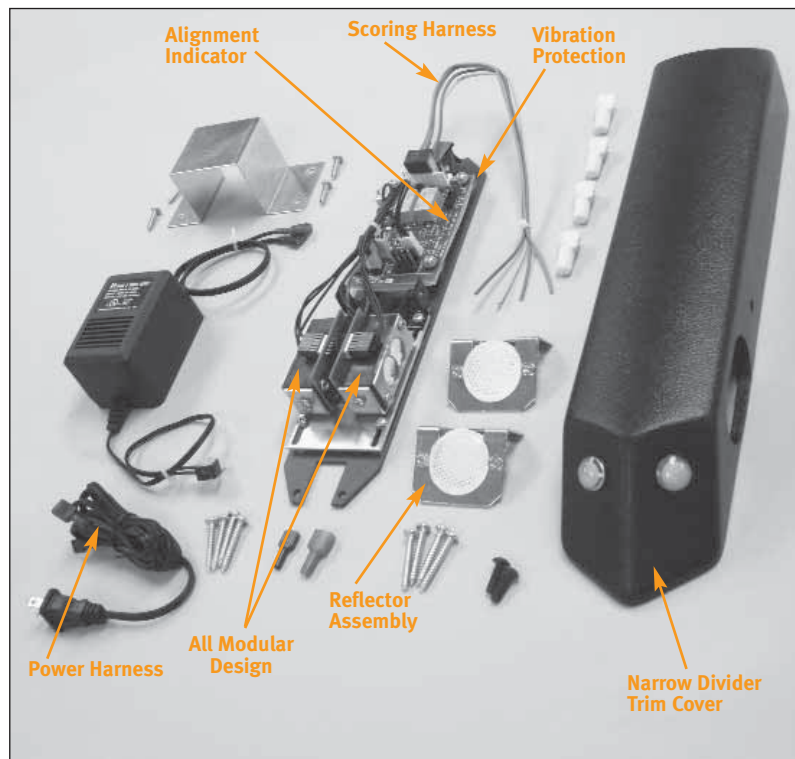
Wi ard E treme (Surface)

Replaces AM 82-08 Radara & or AM Surface Ball Returns

#400301 (Serving Two Lanes)\$384.50



it Includes: Detector Assembly, arrow Metal Detector Cover (Silver), Transformer, Power Supply Cable, Scoring Communication Cable, 2 reflector Assemblies and All Mounting ardware to install complete kit.



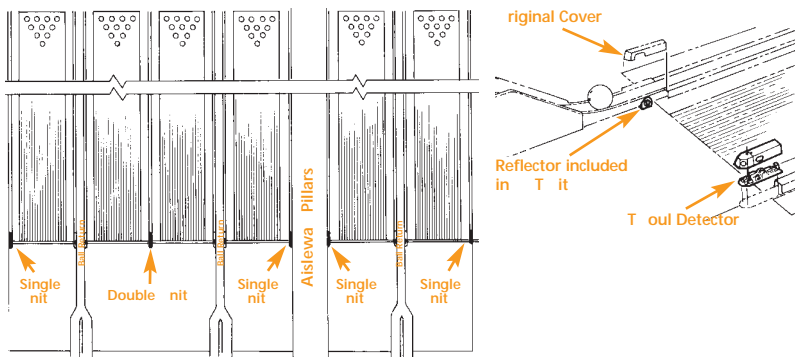
ow voltage

Centers with no 115 power supply available at the approach area should also order the following wire harness.

Wire arness
#400302\$43.90



Kit Requires: A standard 115 volt duple outlet to plug the transformer into for supplying power to the Foul Unit. e.g. curtain wall.



4

Foul Detectors

Wi ard E treme - Spare Parts:

Description	Part umber
Spare Parts it	002 2
PC Board	310 7
Sensor Block Assembly	310
eflector Only	800157
eflector Assembly	0016
Foul Signal LED, Including older and arness	01 5
Scoring arness (Bswk)	0155
Scoring arness (AMF)	0153
Bu er Assembly	00170
Transformer Assembly (115 60)	00281
Transformer Assembly (220 50)	002 3
Sensor harness (3-wire)	01 6

Call T for pricing

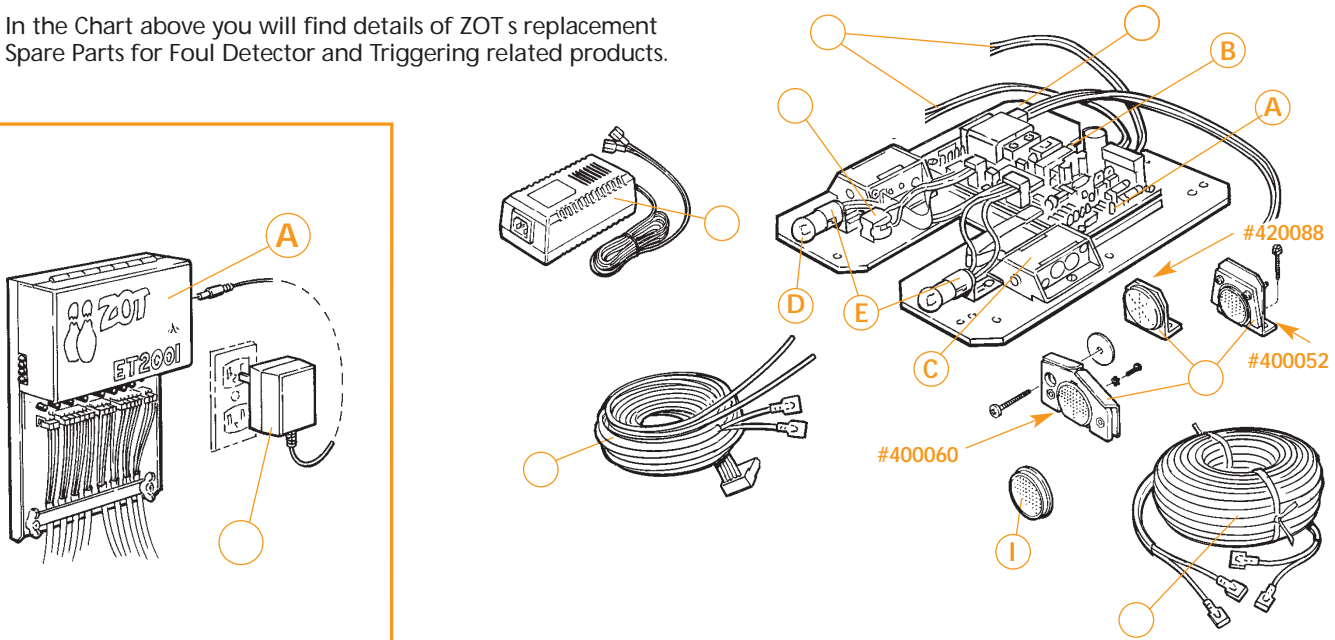
Spare Parts

ZOT's Foul Detector, Scoring and Electronic Triggering related products are Unique in the industry because they are modular by design, enabling the mechanic to replace the various components right there in the bowling center.

Wiring and Conversion (Spare Components)

Item	EW Number	Item Description	P.C. Board	Use	Sensor Assembl	amps	Socket Assembl	amp Power arness	Scoring arness	Reflector Assembl	Reflector nl	Bu er	Trans- former
1 A	0013	Wiring Plus	3103	00110	31015	A	A	0051	00	00052	800057	00111	3100
B		Wiring Double	3103	00110	31015	A	A	0051	003	20088	800018	00111	A
2 A	0011	Low voltage Wiring	31035	A	31015	000	0020 (10 ea.)	003	001 (75 ft.)	00060	800018 (1 1L)	00111	00065
3	00015	Wiring Surface	31025	A	31027	000	0020 (10 ea.)	003	001 (75 ft.)	00060	800018 (1 1L)	00111	00065
	0007	Factory P.C. Board Upgrade	A	A	A	A	A	A	A	A	A	A	A
5	00076	Factory Infrared Head Add On	A	A	3101	A	A	A	A	00060	800018 (1 1L)	A	A

In the Chart above you will find details of ZOT's replacement Spare Parts for Foul Detector and Triggering related products.



Call T for Pricing

Electronic Triggering (Spare Components)

Item	EW Number	Item Description	P.C. Board	Use	Sensor Blue	Sensor ra	Power arness	lat ra Cable	Coa ial Cable	Trans- former	Sensor Shims	Sensor ens it
6A		ET 2000 Two-Lane Electronic Triggering (115)	32052	A	00001	00133	A	50005	A	2 0005	00121 (25 ea.)	00032
B		ET 2000 Two-Lane Electronic Triggering (230)	32052	A	00001	00133	A	50005	A	2 0006	00121 (25 ea.)	00032
7A	00135	ET 2001 Two-Lane Electronic Triggering (115)	32052	A	00001	00133	A	50005	A	2 0005	00121 (25 ea.)	00032
B	0003	ET 2001 Two-Lane Electronic Triggering (230)	32052	A	00001	00133	A	50005	A	2 0006	00121 (25 ea.)	00032
8		Mini Magic AMF	0000	00083 (6 ea)	00001	00005	001	50001	50002	A	00121 (25 ea.)	00032

Note: Wiring & ET 2000 ET 2001 Spare Parts Kits

- A Plus: 400143 rder: 400137
- B Double: 60200-0 60400-0 60600-0 rder 400112
- C Low voltage: 400119 rder 400114

- D Surface: 400015 rder 400113
- E ET 2000: 48050-0 rder 400138
- ET 2001: 400135 rder 400138

P.C. Board E change

ZOT offers its customers a Factory Direct E change program for repairs to P.C. Boards after the Warranty has expired. If you have a P.C. Board that needs repairing simply call ZOT's Customer Service Department at 1-800-525-8116.

*Product Discontinued



Call ZOT at 1-800-525-8116 for more details

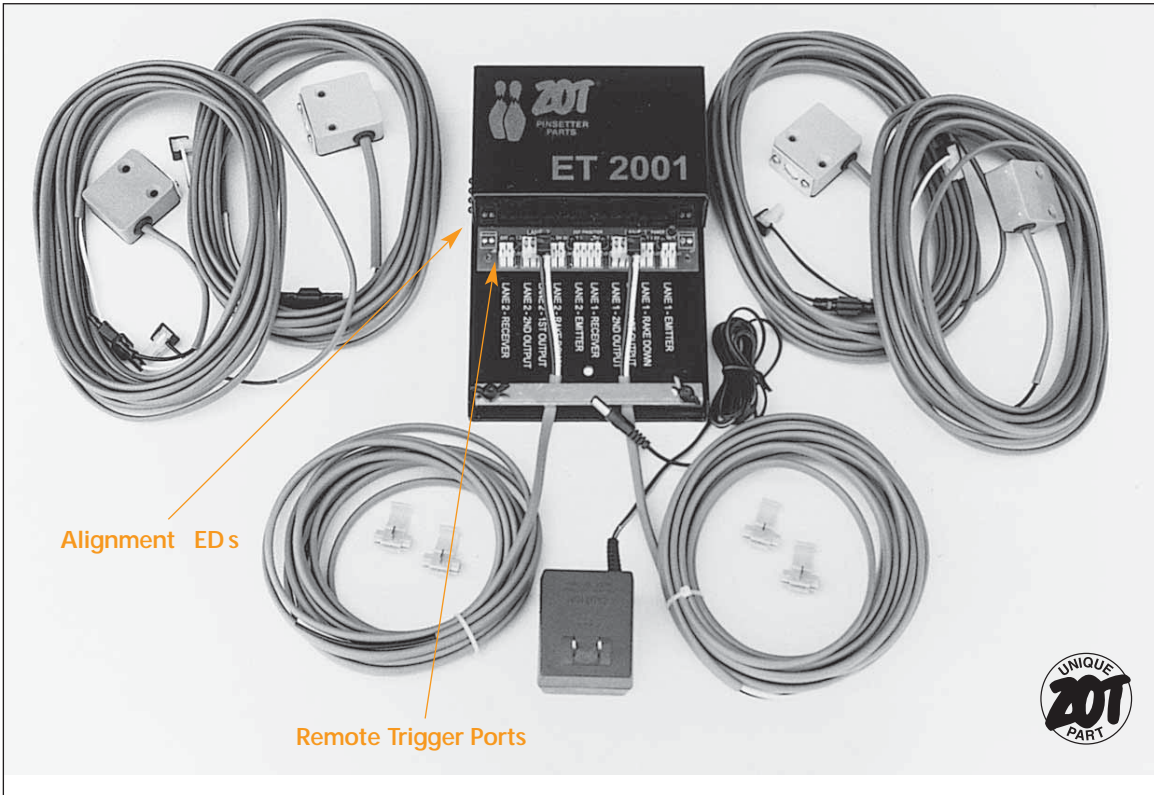
Electronic Triggering

Triggering Improvements that Promote Bowling

ET 2001 Dual Lane Ball Detector

#400135 (115 60).....\$295.00 #400034 (230 50).....\$315.50

5
Electronic
Triggering



ZOT's ET 2001 Dual Lane Electronic Triggering, for AMF Pinspotters features: an adjustable time-delay from 3 of a second to 8 seconds and the most advanced infrared technology available in the industry, to guarantee 100 positive triggering . . . ball after ball after ball . . . you know it makes sense.

It only takes a few seconds a game to save thousands of dollars a year in lost lineage, revenues, power consumption, and machine wear and tear and to improve customer satisfaction levels.

At bowling centers everywhere, you see youngsters, seniors, and bowlers using light balls especially in centers with bumper bowling frustrated, and wasting time, either because they're slow to react in pressing the reset button, or because they don't know what to do, when the machine fails to cycle.

That same few seconds will pay for ZOT's ET 2001 Dual Lane Electronic Triggering system several times over in its first year, and, thereafter, the additional revenues, savings and improved customer relations, translate into clear, and measurable, increased profits.

ote:

The ET 2001 has two adjustable time delay outputs, each of which serve two lanes.

Features and Benefits

100 Positive Triggering: eardless of the weight or speed of the ball.

Reduces Maintenance: Mechanical linkage does not affect trigger sensitivity.

World Class P.C. Design: ZOT's new Micro-Processor technology simplifies the circuit, making the ET 2001 (Electronic Triggering) Dual Lane Ball Detector surprisingly cost efficient.

Superior Sensor Design: The ET 2001 retains the same sensor design as ZOT's single lane Magic Eye. With more than a decade in the marketplace, this miniature and ruggedly constructed sensor system has a proven track record of minimizing damage by balls and pins and it's not sensitive to vibration.

Infrared Technology : The ET 2001 features an Infrared Sensor source that's Solid State Diode ated for millions of hours of dependable service.

Alignment Indicator: ZOT's ET 2001 features an exclusive -unit LED system, that indicates when the sensor's signal is strongest. The LED's can be viewed from either the sensor area, or from the top of the pinspotter, without opening the cover.

Diagnostic Indicator Safety System: ZOT has added an LED system which indicates when an output signal is occurring. The ET 2001 has a built-in Safety System which prevents the machine from cycling if a person is in the area where the sensors are mounted.

Speeds League Play : o more pushing the reset button.

Profit on Machinery Improvement: Over 200 return on investment the first year.

(continued on next page)

Features and Benefits:
(continued)

Remote Trigger Ports: ZOT's ET 2001 can be triggered by external sources, e.g., scoring system remote switch.

Control Board Protection: ZOT's Dual Lane Control Board mounts on the back of the masking unit curtain wall out of the way of potential damage by balls or pins.

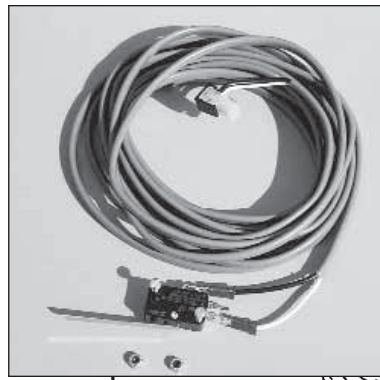
Lip Top Cover: The Control Board Cover hinges from the top, which means no screwdriver is needed to view the P.C. Board. Simply flip the cover up for inspection, and down again when finished.

Simple Installation: ZOT's ET 2001 installs in three easy steps:

1. Wall transformer plugs into 115 volt outlet for power supply.
2. Two conductor outputs for each pinspotter simply quick-splice to the bowlers reset button wires. The AMF trigger switch can either be retained or dismantled.
3. The Infrared Emitter and receiver are simply plugged in, leveled and secured at each lane.

All Modular Design: All components plug into the P.C. Board separately, making it possible and easy to change parts, and troubleshoot.

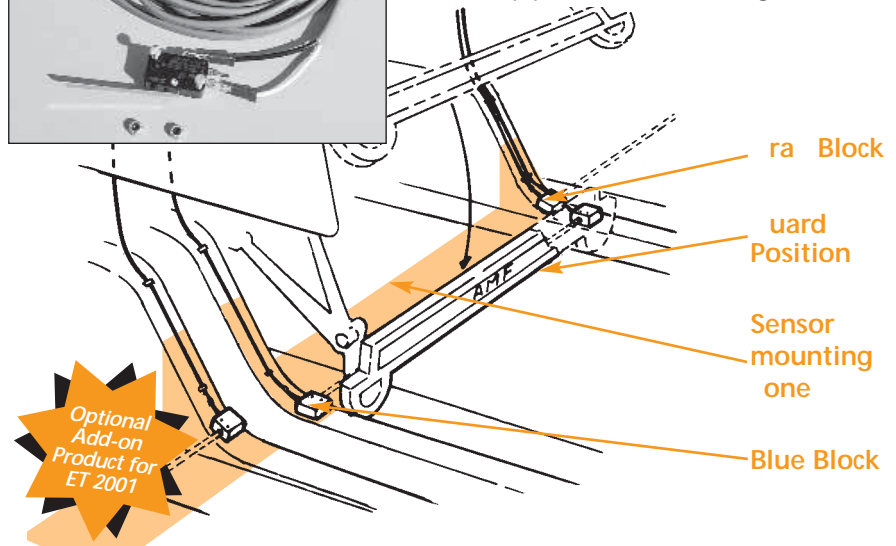
Rake Sweep Path Sensor Mounting: The Sensors can be mounted behind the Sweep (in the Sweep path), with addition of option #00216. See upper right.



**Sweep Lock-out
(Micro-Switch and harness)**

#400216\$19.95

ZOT's Sweep Lock-out resolves intermittent multiple cycling (e.g., Sweep reversal), which can occur when the sensors are mounted in the sweep path sensor mounting one.



ET 2001 Add-on Scoring Option

For Centers with AMF Pinpotters and Brunswick Scoring

If you're dissatisfied with your present AS80 and AS90 Series Ball Detect System, the ZOT ET 2001's ability to double as an improvement to your automatic scoring system makes it the most cost effective ball detect system available.

The following are the wire harness options necessary to activate the automatic scoring ball detect feature:

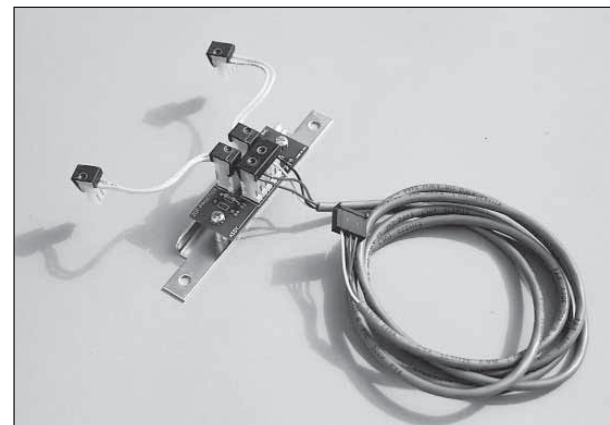
- #400159 for Brunswick AS 7 Scanner\$58.90
- #440080 for Brunswick AS 86 Scanner\$48.95
- #400194 for Brunswick AS 0 Camera FrameWor\$59.50



ET 2000 & ET 2001 Spare Parts 115V & 230V:

Description	Part Number
Spare Parts Kit	#400138
PC Board	#432052
Blue Emitter Block	#400001
Flat Gray Emitter Block	#450005
Gray Receiver Block	#400133
Transformer for 115V	#290005
Transformer for 220V	#290006
Sensor Shims	#400121
Sensor Lens Kit	#400032

Call T for pricing



Note:
The above wire harness options are only compatible to ZOT ET 2001.



T unit Replaces 79 Scanner Ball Detect



T unit Replaces two Brunswick #57-214904-000



T PermaDeck Back-End Lane Products

ZOT Pinsetter Parts is pleased to introduce a new line of back end lane products including flat gutters, kickback plates, edge boards and tail plank tops. All of these products are made from industrially engineered DPE (High Density Polyethylene). As the name would imply, DPE is durable, requires no maintenance, and it never needs recoating with finish. To maintain quality and durability none of ZOT's DPE products use recycled materials. ZOT's back end lane products are also ABC approved.

These Kick Back Plates are undrilled enabling the installer to drill holes and screw the kick back plates into kick back surfaces where there are no old or enlarged holes ensuring a secure installation.

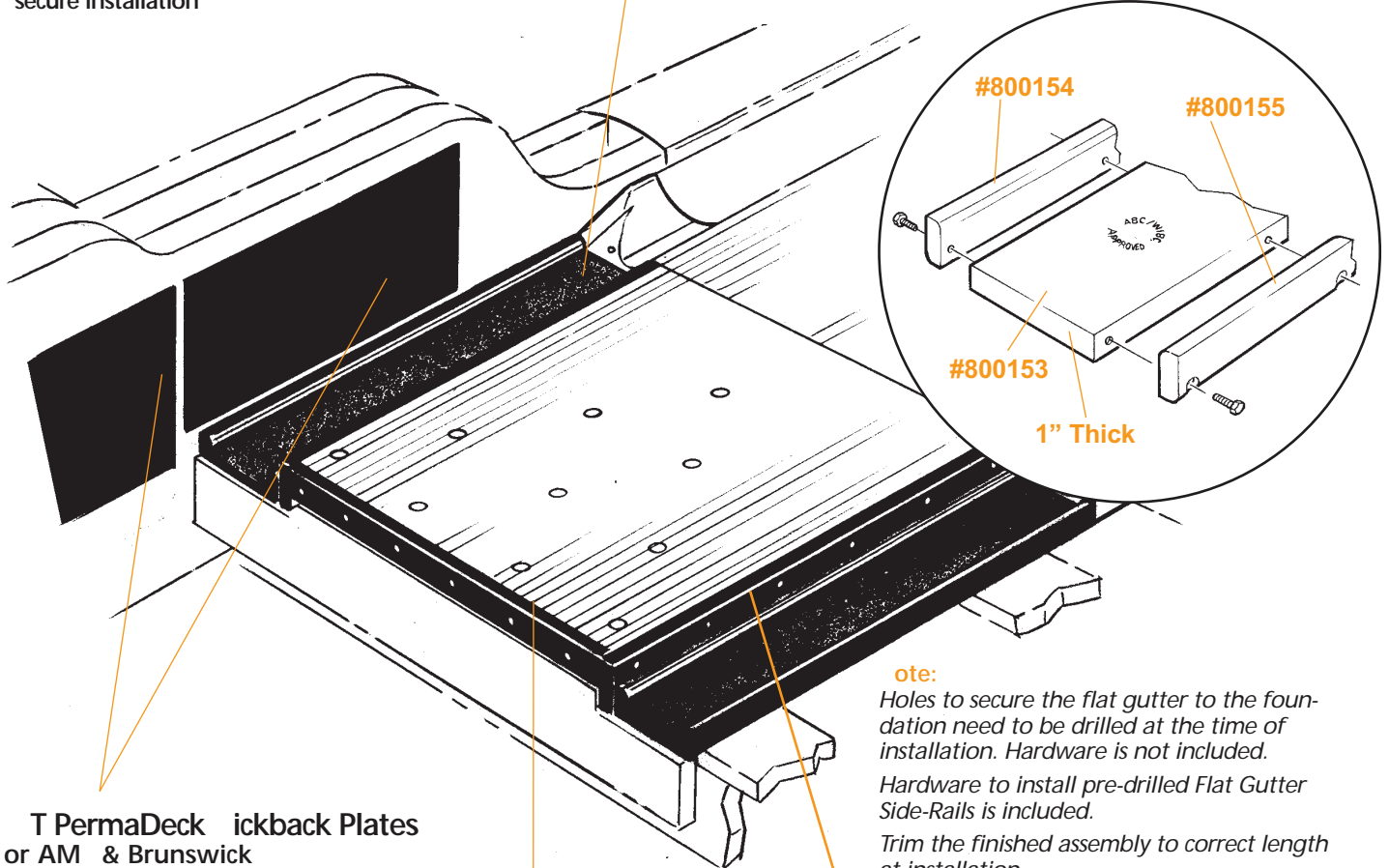
Heavy Duty PermaDeck Flat Gutter Kit
For AMF Brunswick

#420479 (for one lane).....\$192.50

Check out these features:

- Costs less than comparable products. Virtually maintenance free and durable. Made of 1" thick Warp resistant DPE for maximum strength and life. **Note:** less expensive brands use 3/8" plastic which tends to warp and has a much shorter lifespan. **Easy to install:** either by the center mechanic or a lane resurfer.

Lane Products



Note:
Holes to secure the flat gutter to the foundation need to be drilled at the time of installation. Hardware is not included. Hardware to install pre-drilled Flat Gutter Side-Rails is included. Trim the finished assembly to correct length at installation.

T PermaDeck Kickback Plates
for AMF & Brunswick
(Black Undrilled)

- #420482\$39.50
15 33 fits all AM and early model Brunswick
- #420483\$37.50
19 23 3 4 for early model Brunswick
- #420484\$48.40
16 40 for late Brunswick

Check out these features:
Highly durable.
Restores your kickbacks to ABC Specifications.
Improves scorability and reduces pin damage.
Easy to install.

T PermaDeck Tail Plank Tops
fits AMF & Brunswick Wood Pindecks

- #420481\$35.90
1 3 4 1 1 2 43 (per lane)
- #420511\$39.90
fits Brunswick & Synthetic P Pindecks
1 2 2 3 8 4 1 7 8

Check out these features:
Restores your tailplanks to ABC Specifications.
Improves scorability.
Extend the life of your pins.
Call for quotation for sizes not listed.

T PermaDeck Edge Boards
fits AMF & Brunswick Wood Pindecks

- #420480\$38.70
1 2 1 2 46 (each)
- #420510\$39.50
fits Brunswick & Synthetic P Pindecks
1 2 2 3 8 4 7 5 8

Check out these features:
Restores your wooden pindecks to ABC Specifications.
Helps improve scorability.
Extend the life of your pins.
Call for quotation for sizes not listed.

T lowRod fascia and Quarter Round Trim for Approaches

ZOT's GlowRod Fascia and Quarter Round Trim products are designed to improve the appearance and highlight the riser or step from the bowlers settee area to the approach. The GlowRod Fascia and Quarter Round Trim (shown in the illustration below) clearly highlights the riser in either a low or on-low Bowling environment which, in addition to enhancing the image of your center, brings safety to the equation too especially during low-Bowling activities.

tration below) clearly highlights the riser in either a low or on-low Bowling environment which, in addition to enhancing the image of your center, brings safety to the equation too especially during low-Bowling activities.

GlowRod Fascia & Quarter Round Trim

Check these features:

Improved Safety: The GlowRod Fascia illuminates in an Ultra Violet (Low Bowling) lighting environment, clearly highlighting the riser or step-up to the approach. The UV additive in the rod will glow under Ultra Violet Light with no additional power necessary.

Durable: Made of virtually indestructible industrially engineered DPE (High Density Polyethylene) that will outlive the life of your approaches.

Maintenance free: ZOT's GlowRod Fascia and Quarter Round Trim never needs painting, and will look good for 10-15 years without cracking or splitting.

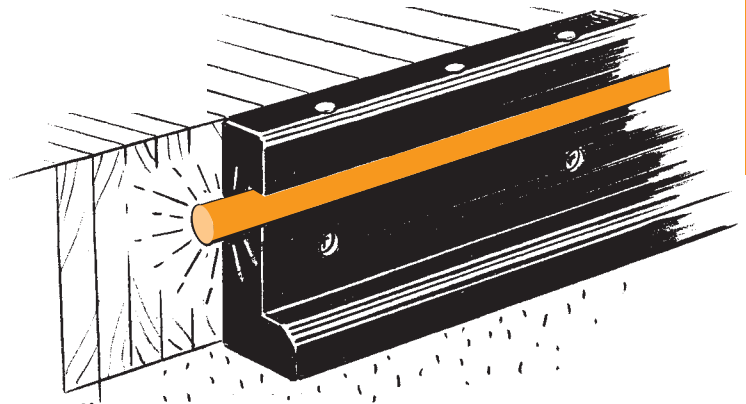
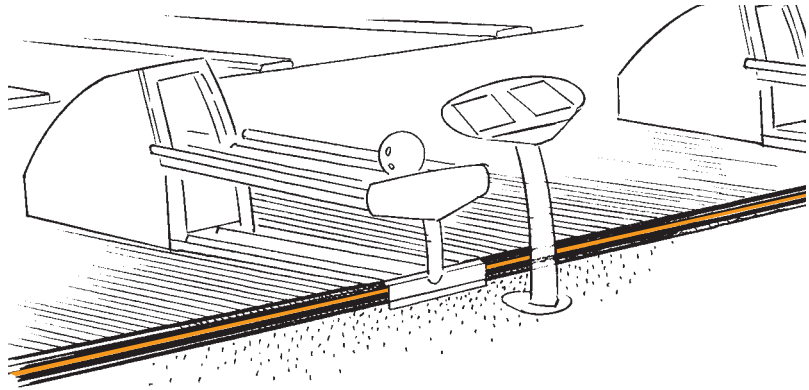
Cost Effective: Costs about the same as replacing the original, and less durable, worn and damaged maple fascia.

Note: ZOT's GlowRod is sold by the foot and separately from the Fascia. See below for color selection and part numbers, etc.

How it all works: You start by measuring the height of the riser (step) from the settee area to the approach, and then the length of the fascia needed to extend across the width of the approaches.

Note: Fascia and Quarter Round Trim (with or without GlowRod) is a custom product that's "Made-to-Order".

Once you have the specifications and place an order with ZOT it will take a few weeks to process (custom build) and ship the finished product.



There are three options:

Option 1

ZOT's DPE Fascia and Quarter Round Trim is designed to be used as a replacement for the original wood fascia.

Option 2

DPE Fascia and Quarter Round Trim is also available with a groove to accommodate the installation of a GlowRod, which is an optional add-on.

Option 3

Glow Dowels can also be added to either Option 1 or 2.

Part #	Description	*Price Per Foot
Fascia With & Without Quarter Round Trim (Order Glow Rod and Glow Dowels Separately)		
800137	1" NO/Quarter Round Trim –NO GLOW	\$2.59
800138	1.5" NO/Quarter Round Trim – NO GLOW	3.62
800139	2" W/ Quarter Round Trim	7.27
800140	2.5" W/ Quarter Round Trim	8.40
800141	3" W/ Quarter Round Trim	9.21
800142	3.5" W/ Quarter Round Trim	10.34
800143	4" W/ Quarter Round Trim	11.38
800144	4.5" W/ Quarter Round Trim	12.74
800145	5" W/ Quarter Round Trim	13.63
800146	5.5" W/ Quarter Round Trim	14.67
800147	6" W/ Quarter Round Trim	15.93
800148	6.5" W/ Quarter Round Trim	17.18
800149	7" W/ Quarter Round Trim	18.38
800150	7.5" W/ Quarter Round Trim	19.61

Part #	Description	*Price Per Foot
Quarter Round Trim, GlowRod & Glow Dowels		
800151	Quarter Round Trim	2.74
GLOW ROD for installing in Fascia (add to per foot price of fascia)		
420493	Glow Rod – Yellow/Green	10.61
420494	Glow Rod – Green	10.61
420495	Glow Rod – Red	10.61
420496	Glow Rod – Orange	10.61
GLOW DOWELS for installing in Fascia		
420501	Glow Dowels – Four Dowels per foot	13.34

Products priced by the foot must be purchased in five (5) foot lengths

Glow Dowels are factory installed in the Fascia. All orders for Fascia include Mounting Screws Fascia, Quarter Round Trim and Glow Rod are shipped in 5-foot lengths and can therefore be shipped by UPS.



Call ZOT at 1-800-525-8116 for more details

The lossBoss Coin- op Ball Conditioner

#420397\$8875.00



Features and Benefits

Customer Friendly Display: The customer display screen shows price, money's deposited, cycle-time and cycle-time remaining, plus house-ball and Sold-out modes.

Our Easy-to-Program Price Levels: A simple two-button operation. Hold down one button and pulse the other until the illuminated LCD's on the Display panel show the desired Price levels. This feature enables you to periodically increase the price as and when desired.

Our Easy-to-Program Run Times: A simple two-button operation. Enables you to adjust the run times to maximize revenues and the number of users.

Electronic Coin Validator: Programmable for promotional tokens and single coins of any denomination (e.g. quarters or Dollar Coins in the US) and most currencies, subject to size (maximum 3 mm diameter and 3 mm thick).

Bill Acceptor: ZOT's internally mounted Bill Acceptor will typically increase machine usage anywhere from 15-30 percent. A ZOT Bill Acceptor also reduces the frequency in making change for customers, and makes cashing out the machine easier.

Mechanical Compound Advance System: A time tested proven system makes it easy to maintain a high quality polish without the constant need for adjustment and readjustment.

Easy-Adjust Buffer Shaft: Enables you to easily set the buffing wheel adjustment correctly and guarantee the Ball Conditioner really Polishes Bowling Balls, ball after ball after ball. Simply loosen six bolts and rotate a calibrated jackscrew each time the compound block is replaced.

Double-ended Bearing Support on Buffing Wheel: Makes wheel replacement easy and yields a smooth running

operation without the tricky balancing exercise required with older machines.

Scrolling Message and Advertising Display: This easy to program multi-color digital display enables centers to develop their own promotional and advertising messages to their customers.

Buffer Pressure Meter: Takes the guesswork out of measuring the pressure between the buffing wheel and surface of bowling ball for optimal ball polishing performance.

The lossBoss II

#420398\$6895.00

If you have a small center, or a center with a minimal number of league bowlers (e.g. 350 or fewer) or are simply just not ready to invest in a machine that includes all the bells and whistles, ZOT's new lossBoss II may be just the answer.

The lossBoss II is identical to the lossBoss except the Scrolling Message Display has been replaced with a Static Sign, and it does not include an Electronic Coin Validator, relying instead on just the Bill Acceptor. The lossBoss II retains the same high polishing performance as the original machine and all for a price tag that is more than 20-percent less than a lossBoss.

Ball Conditioner Restoration and Conversion Kits

If you're not quite ready for a lossBoss or lossBoss II but have an old ball conditioner that's not functioning, ZOT manufactures restoration and conversion kits that are compatible to most brands ball-conditioners.

For more details call 1-800-525-8116 or visit www.otpinsetter.com.

lossBoss Buffing Compound

#420416 (two blocks per box)\$134.50

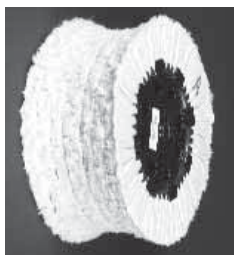
- Same formula that major bowling ball manufacturers use to factory finish new bowling balls
- Designed and formulated to give a superior polish to all bowling ball compositions including: Urethane, reactive, Particle, Plastic and Rubber.
- Date stamped for shelf-life verification



Buffing Wheel

#820017\$106.50

- Longest lasting buffing wheel in the industry.
- Superior compound transfer to buffing wheel and ball.
- Non-corrosive black powder coated steel hub.



Note:

Always check the condition of the spacers when replacing the buffer wheel.

Urethane Spacing Spacer Kit #420374\$49.50
Urethane Spacing Spacer Kit #420399\$49.50



VISIT OUR WEBSITE

www.otpinsetter.com

Contact your local Authorized ZOT Distributor
OT Pinsetter Parts Inc.

1075 E. 55th Avenue, Unit D
Denver, CO 8023

Toll Free: 1 (800) 525-8116

Tel: (303) 822-1031 Fax: (303) 822-1036

Email: sales@otpinsetter.com