



Replacement Parts For



90's



70's



30's

That Make Your Job Easier.

VANTAGE



Parts Catalog 2008 / 2009

We Listen. You Profit.



Great designs provide performance and durability to keep your pinspotters running and your bowlers bowling.

GREAT PARTS START WITH GREAT DESIGN...

Vantage engineers take pride in supplying products that are not just copies, but offer improvements in design, installation, and function. Many original equipment designs are re-engineered to incorporate improved metals, elastomers, and technologies.

QUALITY MANUFACTURING...

Vantage's expanded line of AMF pinspotter parts last longer and cost less. Since we manufacture what we sell and not just purchase them from other sources, our ability to control quality is exceptional. In all cases our products meet or exceed the expectations of the O.E.M. When it comes to quality - perfect is good enough!



*Quality manufacturing, **right here in the USA**, allows us to directly monitor the quality of our parts to keep your center running.*



Inventory management allows us to have the right part on hand when the mechanic needs it.

INVENTORY SYSTEM...

Vantage's Inventory Management System is one of the most sophisticated in the industry. This combined with forecasting it allows Vantage to react faster to industry trends. Making it easier for the mechanic to get the right part at the right time.

Vantage Bowling Corporation

870 Parfet Street, Denver, Colorado 80215
 (303) 232-7322 • 1-800-255-7401 • Fax: (303) 232-8241
www.vantagebowling.com

©2007 VANTAGE BOWLING CORPORATION

Produced by Barker Design, Inc.
 Printed by Keyline Graphics Inc.

AMF and Brunswick as used throughout this catalog are the registered trademarks of AMF Bowling, Inc. and Brunswick Bowling & Billiards and are in no way associated with Vantage Bowling Corporation.

Table of Contents

| | |
|---|--------|
| Who's Who at Vantage Bowling | 2 |
| District Sales Managers & Tech Staff Team | 3 |
| Vantage Policies and Procedures | 4 |
| How to Use This Catalog | 5 |
| Highlights | 6-9 |
| 90 Machines | |
| Bounce Plate & Roller Assembly | 10 |
| Distributor Drive Shaft Assembly | 11 |
| Respot Cell Assembly 1-6 (Steel) | 12 |
| Respot Cell Assembly 7-10 (Steel) | 13 |
| Tie Rod Assembly | 14 |
| Tie Rod Bracker Assembly | 15 |
| Table & Bracket Assembly (Steel) | 16 |
| Table to Cross Beam (Steel) | 17 |
| Sweep Arm Assembly | 18 |
| Sweep Bar Mounting Assembly | 19 |
| Pin Elevator Wheel Assembly | 20 |
| Motor | 21 |
| 70 Machines | |
| High Performance Cushion Rebuilding - Vantage Style | 22 |
| Cushion | 23 |
| Pit Rebuilding - Vantage Style | 24 |
| Bounce Plate & Roller Assembly | 25 |
| Kickback Assembly | 26-27 |
| Pin Elevator & Pit Supports | 28-29 |
| 82-70 Distributor Assembly | 30-33 |
| Bin Assembly | 34-35 |
| Shuttle Assembly | 36-37 |
| Yoke | 38-39 |
| Respot Cell | 40 |
| Table Wireway Assembly | 41 |
| Table Components | 42-43 |
| Front End Drive Assembly | 44 |
| Shuttle Operator & Solenoid Assembly | 45 |
| Table Drive Assembly | 46 |
| Spot & Respot Link Assembly | 47 |
| Sweep Bar Mounting Assembly | 48 |
| Sweep Arm Assembly | 49 |
| Replacement Motors & Gear Boxes | 50 |
| Gearbox Kits | 51 |
| Gearbox Components Table/Sweep Motors | 52 |
| Complete Table/Sweep Motors and Gearboxes | 53 |
| Gearbox Components/Backend Motors | 54 |
| Complete Backend Motors & Gearboxes | 55 |
| 70/30 Machines | |
| Ball Lift Assembly | 56-57 |
| Ball Kicker Assembly | 58 |
| Belt Tensioner & Belt Tightener | 59 |
| Light Ball Sensor Assembly | 60-61 |
| Ratchet Drive Assembly | 62 |
| Track Rail Assembly | 63 |
| 30 Machines | |
| 82-30 Springs/Pin Elevator/Ball Return | 64 |
| 82-30 Distributor Assembly | 65 |
| 82-30 Distributor Assembly | 66 |
| 82-30 Sweep & Table, Spot & Respot Mechanism | 67 |
| Front Ball Lifts | |
| C-90 & Vantage Standard Ball Lift | 68 |
| C-90 & Vantage Standard & Back Saver | 69 |
| Spectrum Components | 70 |
| Sure Pik Replacement Parts | 71 |
| Electrical, Tools, Belts | |
| Motor Switches-Centifugal Mechanisms-Klixons | 72 |
| Micro Switches-Relays-Cables | 73 |
| Capacitors-Chassis & Control Panel Switches | 74 |
| Foul Lights | 75 |
| Mechanics Tool Kit | 76-77 |
| Replacement Belts | 78 |
| New Hardware Section | 79-95 |
| Index | 95-108 |



Who's Who at Vantage Bowling



VANTAGE

GENUINE. PARTS.

EBONITE VANTECH™

CAPITAL EQUIPMENT

P. J. Rosendahl

Brand Manager

Direct Line: 303.327.7841
Email: prosendahl@vantagebowling.com



Gerry Keslar

National Sales Manager

Direct Line: 785.331.6598
Email: gkeslar@vantagebowling.com



Heidi Leonard

Customer Service

Direct Line: 303.327.7834
Email: hleonard@vantagebowling.com



Debbie Holton

Customer Service

Direct Line: 303.327.7832
Email: dholton@vantagebowling.com



John MacFarlane

Product Manager

Direct Line: 303.327.7847
Email: jmacfarlane@vantagebowling.com





District Sales Managers & Tech Staff Team



| | | | |
|---|--|--|--|
| NORTH CENTRAL Minnesota, Wisconsin, Northern Illinois | David Bartlett Cell Phone: 309.287.4396 Email: dbartlett@ebonite.com | Steve Nadolny Email: snadolny@vantagebowling.com | Tom Zernia Email: tzernia@vantagebowling.com |
| SOUTHWEST Southern Nevada, Southern California, Arizona, New Mexico, Colorado, Utah | Paul Enright Cell Phone: 702.561.0269 Email: penright@ebonite.com | Tim Poole Email: tpool@vantagebowling.com Shane McCrary Email: smccrary@vantagebowling.com | Stephen Carlson Email: scarlson@vantagebowling.com |
| NORTHEAST Maine, New Hampshire, Vermont, Connecticut, Rhode Island, Eastern New York, Massachusetts, New Jersey | Joseph Farley Cell Phone: 631.766.3277 Email: jfarley@ebonite.com | Steve Feinblum Email: steinblum@vantagebowling.com | |
| SOUTHEAST Florida, Georgia, Alabama, Mississippi, South Carolina | John Gaines Cell Phone: 863.214.6338 Email: jgaines@ebonite.com | | |
| NORTH CENTRAL Michigan (Including Upper Peninsula), Northern Indiana | Scott Hayes Cell Phone: 614.937.7508 Email: shayes@ebonite.com | Kevin Cosby Email: kcosby@vantagebowling.com | |
| MIDWEST Eastern Missouri, Southern Illinois, Southern Indiana, Southern Ohio, Kentucky, Tennessee | Mike Judy Cell Phone: 937.750.2450 Email: mjudy@ebonite.com | Paul Lackey Email: plackey@vantagebowling.com Daniel Raggard Email: mraggard@vantagebowling.com | David McGowan Email: dmcgowan@vantagebowling.com |
| EAST Maryland, Delaware, West Virginia, Virginia, North Carolina | Shawn Morris Cell Phone: 443.466.3546 Email: smorris@ebonite.com | Pat Esposito Email: pesposito@vantagebowling.com | |
| EAST Western New York, Northern Ohio, Northern Pennsylvania | Damon Sarrocco Cell Phone: 330.554.1608 Email: dsarrocco@ebonite.com | Tom Brefka Email: tbrefka@vantagebowling.com | |
| NORTHWEST Washington, Oregon, Idaho, Montana, Wyoming, Northern California, Northern Nevada, Alaska | Mike Snellbaker Cell Phone: 775.287.9531 Email: msnellbaker@ebonite.com | Pete Senf Email: psenf@vantagebowling.com Don Vinson Email: dvinson@vantagebowling.com | Jerry Smith Email: jsmith@vantagebowling.com |
| SOUTH CENTRAL Texas, Louisiana, Arkansas, Oklahoma | Steve Szabina Cell Phone: 405.503.1710 Email: ssszabina@ebonite.com | Jimmy Lockett Email: jlockett@vantagebowling.com | Curt Dupre Email: cdupre@vantagebowling.com |
| MIDWEST Western Missouri, Kansas, Iowa, Nebraska, South Dakota, North Dakota | Todd Zenner Cell Phone: 214.417.0892 Email: tzenner@ebonite.com | Matt Cervantes Email: mcervantes@vantagebowling.com | Mike Hopkins Email: mhopkins@vantagebowling.com |



Vantage Policies and Procedures

Warranty Returns:

Vantage Bowling Corporation offers a 1-year Factory Direct Warranty Exchange on any defective product except where noted in this catalog. Our Factory Direct Warranty Exchange procedure is as follows:

1. Call Vantage's toll-free number 1-800-255-7401 ask for Customer Service.
2. Customer Service will assign an RGA (Return Goods Authorization) Number.
3. Customer Service will determine if a replacement part will be shipped prior to receiving the defective part.
4. If replacement parts are shipped prior to receiving the defective parts the customer will be invoiced for the replacement parts.
5. Customer Service will issue a call tag for the defective part.
6. Vantage will issue a Credit (against item four above) once the defective product has been returned, received, and inspected in accordance with the Warranty Policy on page 112.

Returns Goods Policy:

All returns for credit must have prior authorization. The products must be listed in the current catalog, and be in saleable condition. Return Goods Policy is as follows:

1. You must first contact Vantage for an RGA (Returns Goods Authorization) number, and prepay all shipping costs.
2. Acceptance of the return is subject to the amount of Abuse and Misuse of the product, and these returns are separate to products returned under warranty.
3. There will be a minimum 15% restocking charge on all returns, and additional charges if the products require rework as a result of Misuse and Abuse.
4. Special Orders do not qualify under the Return Goods Policy. (see: SPECIAL ORDERS POLICY)

Special Orders Policy:

Orders for custom, or customized products, and/or packaging, cannot be altered, adjusted, or cancelled. Special Orders do not qualify under the Return Goods Policy.

Short Shipment Policy:

If any products have been inadvertently short shipped, Vantage's Customer Service Department must be notified within 7-Days of receiving the order.

Providing the above mentioned 7-Day qualification has been met, Vantage will either ship the missing products or issue a credit.

(Note: It is not acceptable to simply deduct the value of the missing products from the invoice.)

Breakage, Damage, Loss of Goods:

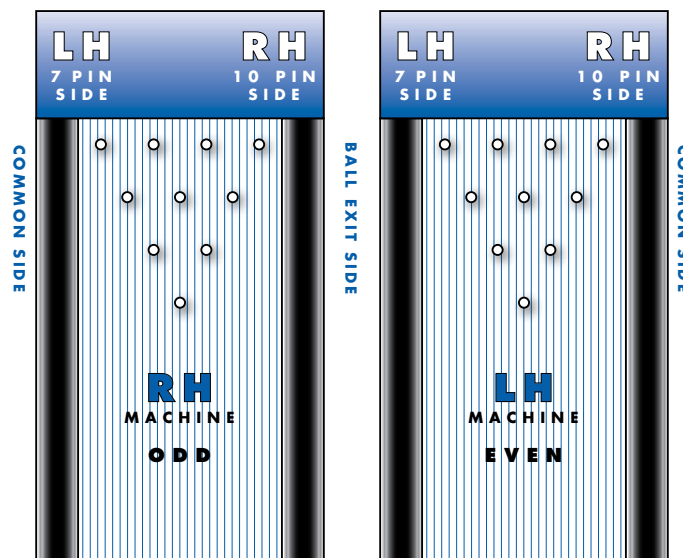
All Shipments leave Vantage's warehouse in good condition. In the event of breakage and/or damage, you should contact Vantage's Customer Service Department. The carrier will want to inspect the package; so it is important to retain all interior and exterior packing materials until the claimed is resolved. You should also contact Vantage's Customer Service Department if a shipment does not arrive.



Vantage is taking steps to define a good working catalog.

The Vantage Catalog has gone through numerous changes this year with the inclusion of parts for new machine styles and true to size hardware. Also this year are new illustrations through out the Catalog. Each Catalog has been separated into Sections based upon machine style and then broken down into subassemblies following the pins through the machines. Starting at the pits and working up and around the machine finishing of with the electrical systems.

Vantage is taking the mystery out of right hand and left hand.



It has always been confusing when talking about pinsetters, which machine is a right hand machine and which machine is a left hand machine. And, then there is a right hand side and a left hand side of a right hand machine and vice versa. Then how do you look at the machine from the mechanics end or the bowlers end which reverses the right and left. Vantage has added labeling to its part numbers to make this a little easier. By labeling the parts ODD and EVEN as well as 7 Pin and 10 Pin this should cut down on some of the confusion on which part is correct for which machine.

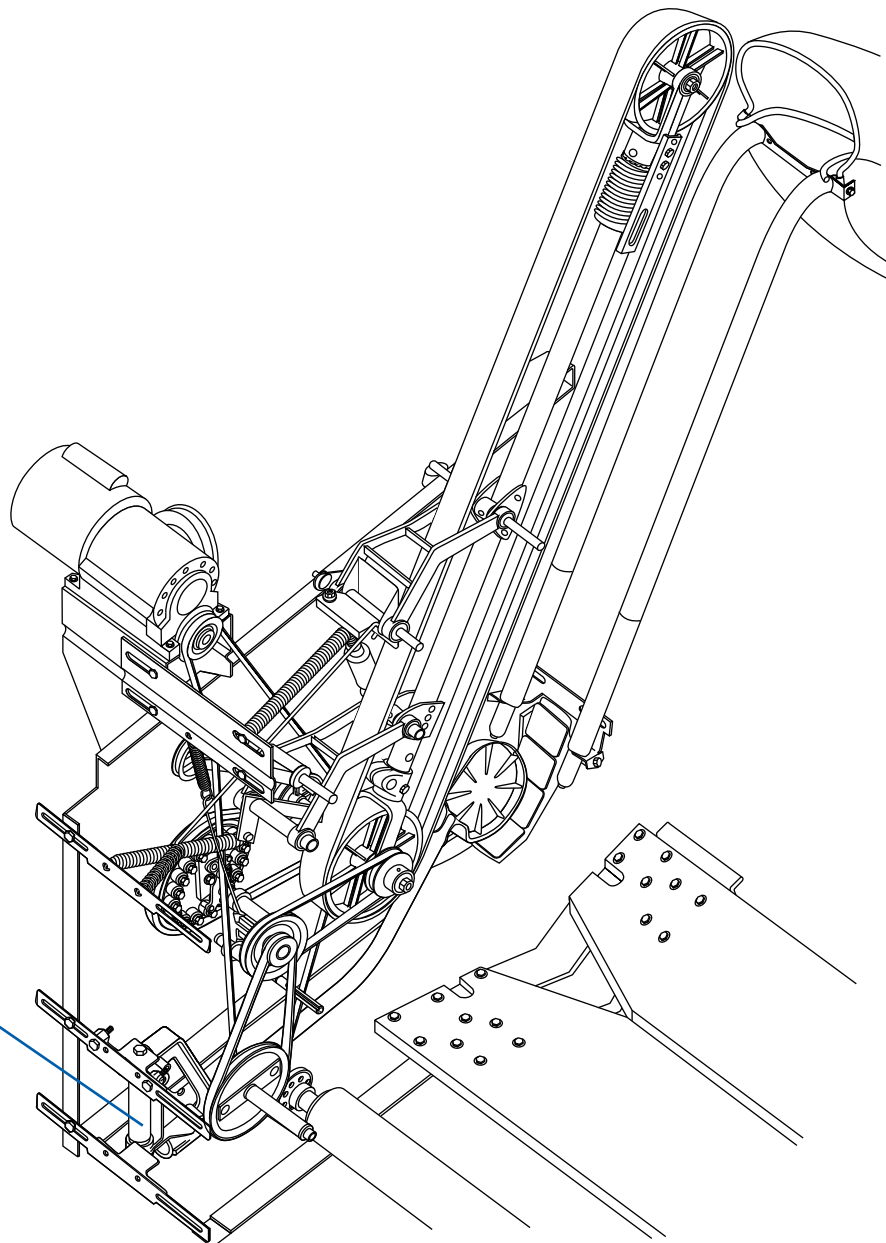


PBL PERFORMANCE IS CLOSER THAN YOU

OUR NEW PBL MINI KIT CAN IMPROVE BALL RETURN IN YOUR

PBL Conversion Kits for kicker roller exits improve ball return under all bowling conditions. Veteran mechanics know that PBLs solve kicker roller exit problems now! Kicker roller exits experience ball return problems for three basic reasons:

- Excessive lane oil on kicker rollers and starter pads - these are eliminated with a PBL.
- Constant adjustment of old components - all of these are replaced with a PBL.
- Hydraulic shock failure. This component may be too weak to sweep pins away or too strong, pushing light balls back into the pit. It's eliminated with a PBL from Vantage.



The Mini Conversion uses no Light Ball Sensor



THINK, KICK THE KICKER ROLLER HABIT!!!

CENTER WITH AS LITTLE AS THREE HOURS OF INSTALLATION TIME

FULL KICKER ROLLER TO PBL CONVERSION

V 610-700-120

Each conversion kit comes complete with a light ball sensor, ratchet drive assembly, belt tightener, components to modify the belt tensioner, ball lift, kickback and track rail assemblies. Because we supply more new components than the O.E.M. version, you modify fewer parts saving time and giving you better ball return sooner.

THE MINI PBL SYSTEM

V610 700 120 MINI

Introduced by Vantage over 10 years ago has become an industry standard in ball lift systems. It is an economical alternative to the full PBL conversion offering an excellent ball return system with fewer parts to replace and maintain. It includes all the important components of a full PBL without the light ball sensor, but features a speed reducing pulley for slower paddle operation and our non-hydraulic, adjustable, Super Rudder Drive Link. These combine to improve the return of light balls.

THE MODIFIED MINI PBL I SYSTEM

V610 700 120 KHP

Vantage is introducing this new kit to help combat some of the ball lift assembly troubles currently being reported by mechanics. This new kit is a smaller version of Mini PBL eliminating the door weldments and two other sub-assembly packages from the kit. This version is meant for centers that had kicker return systems and installed humpbacks and would like to convert to the Mini PBL systems. In conjunction with the Pulleys and Ball Lift Belt set, this alternative will give each mechanic a ball lift system that will last for years to come.

THE MODIFIED MINI PBL II SYSTEM

V610 700 120 PHP

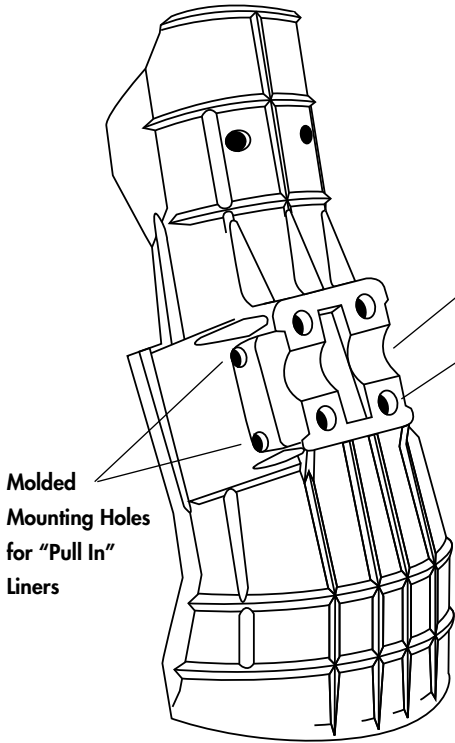
Vantage has introduced this new kit to help combat some of the ball lift assembly troubles currently being reported by mechanics. This new kit is a smaller version of Mini PBL only including the Ratchet Drive Assembly and those components needed for replacing the parts removed when installing the Humpback system. This version is meant for centers that had PBL return systems and installed humpbacks and would like to convert back to the PBL systems. In conjunction with the Pulleys and Ball Lift Belt set, this alternative will give each mechanic a ball lift system that will last for years to come.



THE WORLD'S MOST POPULAR NON-METAL SPOTTING CUP JUST GOT BETTER!

With over 100,000 sold and in use, Vantage Lexan® cups are proven as durable replacements for aluminum. That's because they're not plastic - they're Lexan® an engineering polycarbonate. Their one piece construction installs easily and never requires width adjustment.

We've redesigned our product to include features loyal users have requested like:



Molded Mounting Holes for "Pull In" Liners

Molded holes for "pull in" liner installation.

A narrower mounting area for easier side to side adjustment.

Reinforced mounting holes.

Lightweight, durable and easy to install, try the "new" Lexan® cup from Vantage - the people who made plastic cups work!

V 070 002 809 Lexan® Spotting Cup
V 070 002 809-L Lexan® Spotting Cup with liners



Die Cast Aluminum Pitbull Spotting Cups! Our new die cast spotting cups offer longer life than originals. Interchange perfectly and adjust easily.

*Lexan® is a registered trademark of General Electric Corporation.

SUPER RUDDER DRIVE LINK

HAD IT WITH RUDDER DRIVE LINKS?

- Too much pressure?
- Too little pressure?
- Oil leakage?
- Low service life?

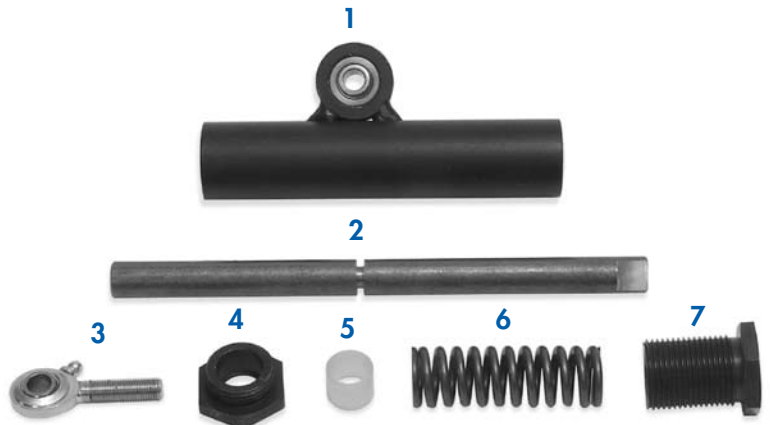
Try the new Super Rudder Drive Link From Vantage!

Its design relies on easy to adjust spring tension that provides consistent paddle operation. Get the paddle pressure you want, without hassle.

Order Part Number:

V 000 029 671-A Super Rudder Drive Link

- 1 V 000 029 671-BB Complete Mod 1 Body
- 2 V 000 029 671-BS Mod 1 Shaft
- 3 V 070 006 046 Rod End
- 4 V 000 029 671-BSR Mod 1 Short Reducer
- 5 V 000 029 671-BD Delrin Bushing
- 6 V 000 029 671-S Spring
- 7 V 000 029 671-BLR Long Reducer



VANTAGE OFFERS THREE UNIVERSAL JOINTS TO MEET THE DEMANDS OF ALL TYPES OF BOWLING.

1. The Apex brand joint is the "old original" asked for by veteran mechanics who remember these lasting for many years without failure. Now available from Vantage.

Order part number V 070 007 586 A



2. Our standard universal joint has been the choice of thousands of satisfied mechanics around the world. It features a replaceable boot for easy replacement of lubrication and offers excellent service life at an attractive price.

Order part number V 070 007 586



3. Our new Pit Bull U Joint is made from the highest quality polymers available. It offers excellent service life at a very attractive price.

Order part number V 070 007 586 P



BALL RETURN NIGHTMARES ARE OVER WITH NEW BELTS FROM VANTAGE!

Sure-Pik and ball lift problems are cured with Vantage's new rubber compound designed specifically for bowling ball returns. To fully employ its increased friction we've returned to a flat belt surface. This is more efficient than a concave surface in ball transfer. Try one you'll be glad you did!!!

Order Part Numbers:

- | | |
|-------------------|--------------------------------|
| V 190 001 305 | Sure Pik Belt |
| V 000 024 604 | Ball Lift Belt |
| V 000 024 604 Kit | Pulleys and Ball Lift Belt Set |



WANT SLOWER PINWHEEL OPERATION, TRY OUR ADJUSTABLE PIN FEED PULLEY...

The answer for reduced pin distributor jams, poor pin to belt contact and old worn pins. Adjustability allows you to select the pinwheel speed you want.

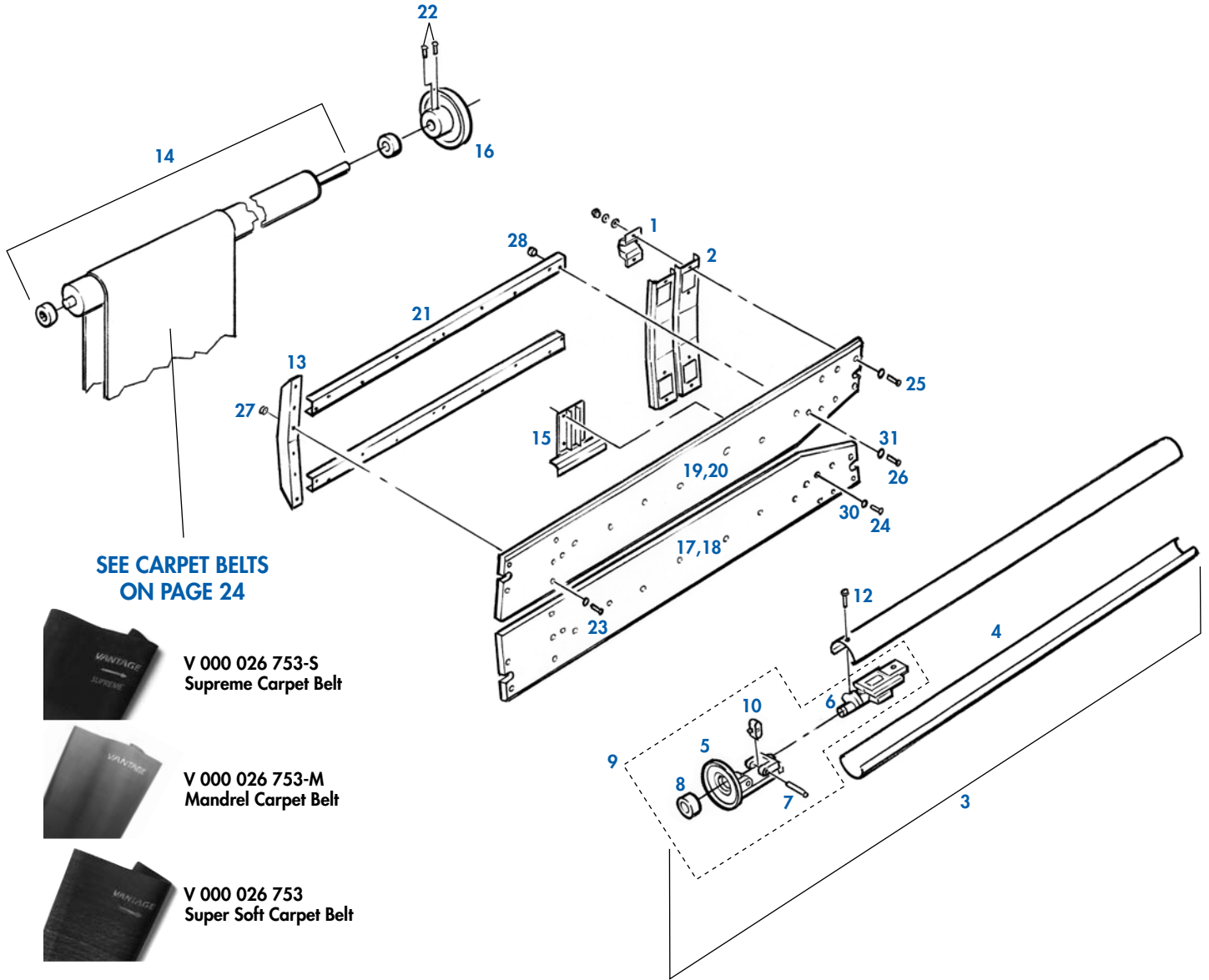
Order Part Number:

- | | |
|---------------|----------------------------|
| V 000 024 598 | Adjustable Pin Feed Pulley |
|---------------|----------------------------|





Bounce Plate & Roller Assembly



SEE CARPET BELTS
ON PAGE 24



V 000 026 753-S
Supreme Carpet Belt



V 000 026 753-M
Mandrel Carpet Belt



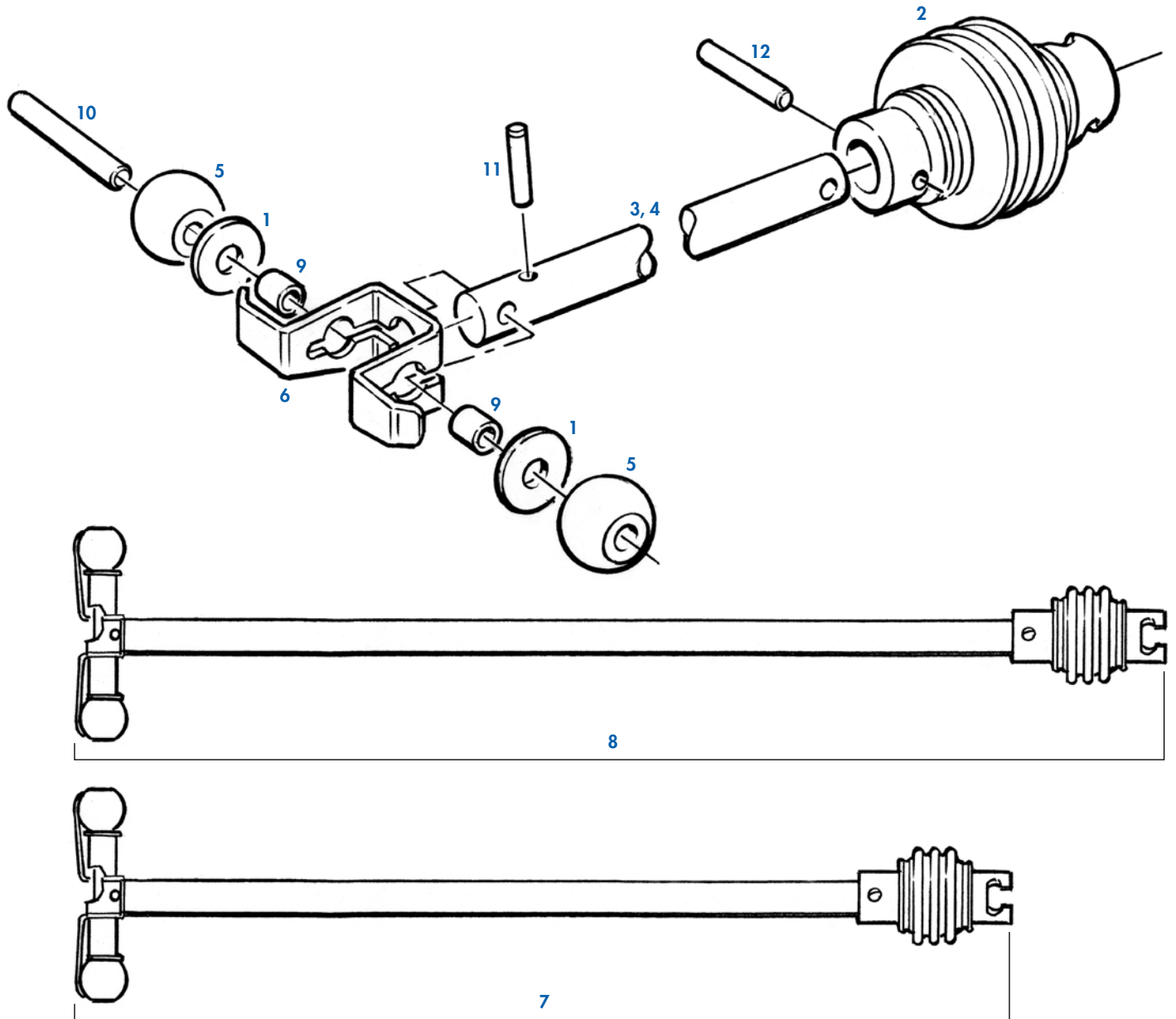
V 000 026 753
Super Soft Carpet Belt

| Part # | Description |
|--------|---|
| 1 | V 000 021 224 Vibration Dampener |
| 2 | V 000 021 914 Channel |
| 3 | V 000 024 576 Front Roller Assembly |
| 4 | V 000 024 578 Roller Body |
| 5 | V 000 024 579 Hinge Roller |
| 6 | V 000 024 580 Hinge Shaft |
| 7 | V 000 024 582 Roller Pin |
| 8 | V 000 024 590 Bearing |
| 9 | V 000 024 592 Hinge Assembly |
| 10 | V 000 024 597 Link Assembly |
| 11 | V 000 025 622 Bonding Strap (Not Shown) |

| Part # | Description |
|--------|--|
| 12 | V 000 025 662 Nyloc Screw |
| 13 | V 000 029 626 Angle Support |
| 14 | V 070 002 034 Rear Roller Assembly |
| 15 | V 070 007 769 Ball Idling Bracket |
| 16 | V 090 004 203 Carpet Drive Sheave |
| 17 | V 090 005 270 Bounce Board RF |
| 18 | V 090 005 271 Bounce Board LF (Not Shown) |
| 19 | V 090 005 272 Bounce Board RR |
| 20 | V 090 005 273 Bounce board LR (Not Shown) |
| 21 | V 090 005 274 Reinforcing Bar |

| Part # | Description |
|--------|---|
| 22 | V 806 265 160 Sq Hd. Screw cup Pt. 3/16 - 16 x 1 LG. |
| 23 | V 809 849 165 Scr-Hex 1/4 - 20 x 1 |
| 24 | V 809 849 325 Scr-Hex 1/4 - 20 x 2 |
| 25 | V 809 857 205 Scr-Hex 1/4 - 20 x 1 - 1/4 |
| 26 | V 809 857 295 Scr-Hex 1/4 - 20 x 1 - 1/4 |
| 27 | V 844 049 002 Stvr-Lk 1/4 - 20 |
| 28 | V 844 057 002 Stvr-Lk Nut 5/16 - 18 |
| 29 | V 913 411 100 ESNA Roll Pin (Not Shown) |
| 30 | V 948 753 102 Wshr .281 I.D. x .625 O.D. x .06 |
| 31 | V 948 761 112 Wshr, 343 I.D. x 625 O.D. x .06 |

Bold faced parts denote new parts.
***Available 2008.**



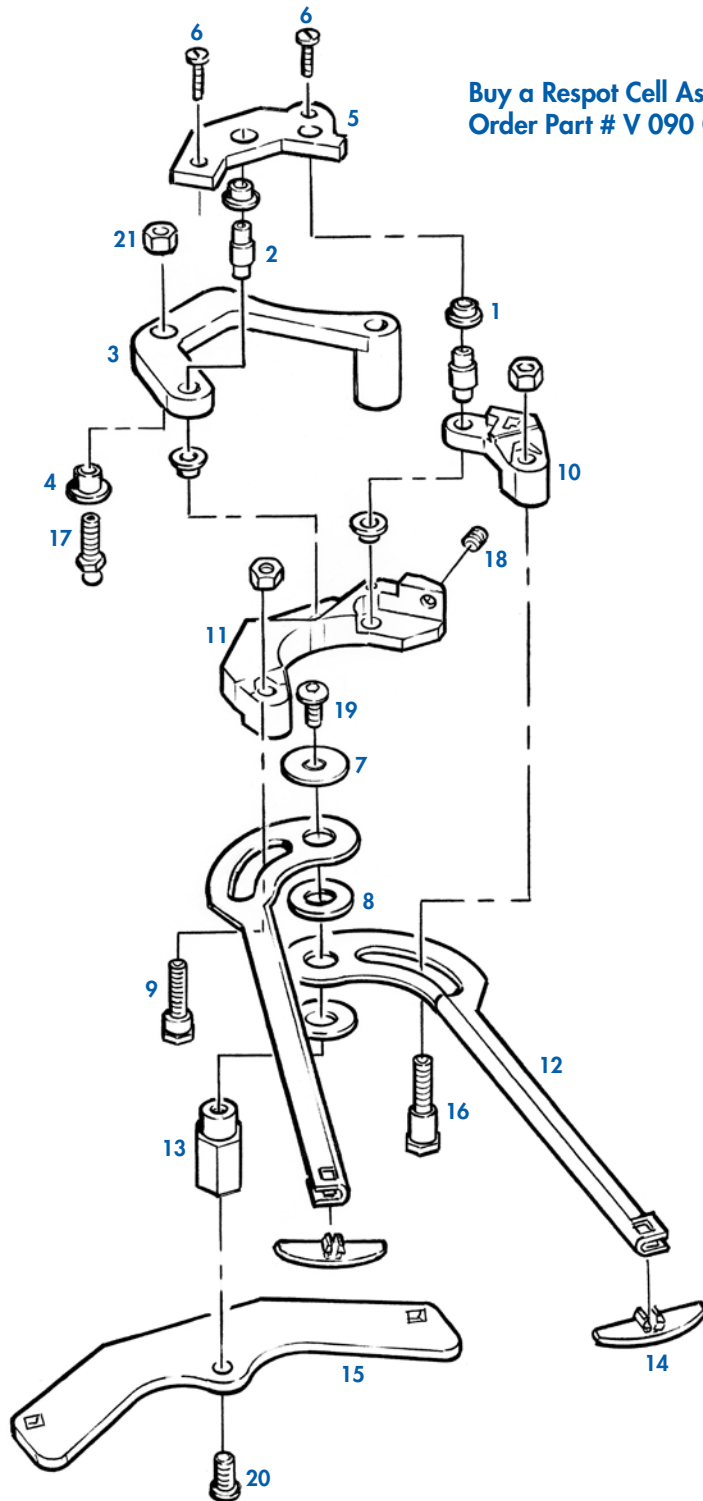
| Part # | Description | Part # | Description | Part # | Description |
|--------|--|--------|--|--------|--|
| 1 | V 000 029 073 Washer | 6 | V 090 002 034 Ball Bearing Retainer | 9 | V 722 501 070 Spacer |
| 2 | V 070 007 586 Universal Joint | 7 | V 090 006 102 Distributor Drive Shaft Assy - R.H. ODD Short | 10 | V 908 048 480 Dowel Pin, 1/4 x 3.0 |
| 3 | V 090 002 017 Shaft, L.H. Machine | 8 | V 090 006 103 Distributor Drive Shaft Assy - L.H. EVEN Long | 11 | V 913 423 120 Spring Pin, .125 x 3/4 LG. |
| 4 | V 090 002 018 Shaft, R.H. Machine | | | 12 | V 913 437 160 Spring Pin, .187 x 1 LG. |
| 5 | V 090 002 019 Ball Bearing | | | | |

Bold faced parts denote new parts.
***Available 2008.**



Respot Cell Assembly 1-6 (Steel)

Buy a Respot Cell Assembly 1-6.
Order Part # V 090 005 544

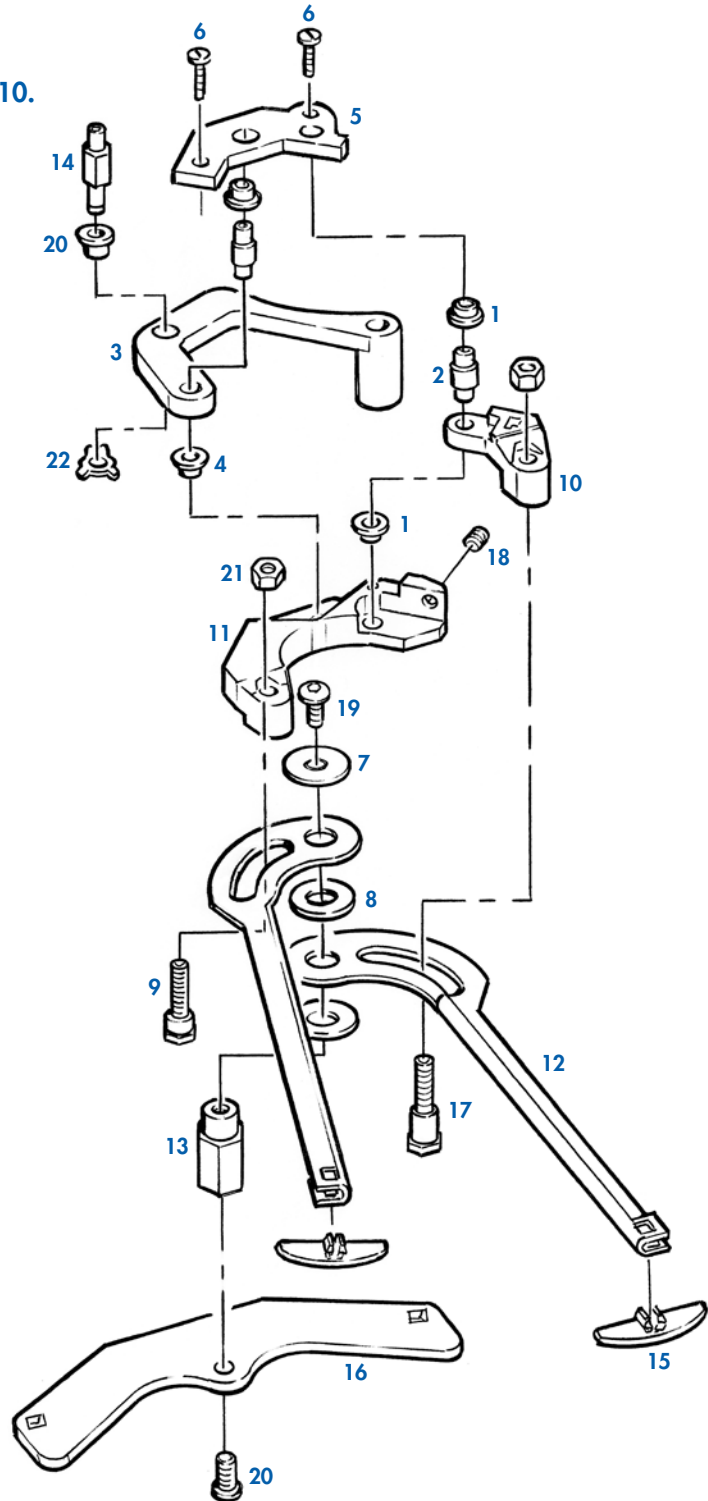


| Part # | Description |
|--------|-------------|
|--------|-------------|

| | |
|-----------|---|
| 1 | V 070 002 630 Flanged Bearing, .252 x .315 x .218 |
| 2 | V 070 002 645 Lever Assembly Shaft |
| 3 | V 070 002 651 Respot Lever |
| 4 | V 070 002 653 Flanged Bearing, .252 x .315 x .38 |
| 5 | V 070 002 695 Yoke Plate |
| 6 | V 070 002 750 Screw, Flat Head |
| 7 | V 070 007 192 Washer |
| 8 | V 070 007 193 Respot Cell Spacer |
| 9 | V 070 007 195 Stud, Short |
| 10 | V 090 004 113 Respot Yoke Arm |
| 11 | V 090 004 118 Respot Yoke Arm |
| 12 | V 090 004 119 Respot Finger |
| 13 | V 090 005 522 Respot Finger Bushing |
| 14 | V 090 005 617 Finger Insert |
| 15 | V 090 005 632 Not Available |
| 16 | V 090 005 640 Stud, Long |
| 17 | V 730 027 019 Stud, Ball Head |
| 18 | V 807 650 050 Setscrew, 1/4 - 28 x 5/16 |
| 19 | V 808 549 080 Screw, Button Head Cap, 1/4 - 20 x 1/2 |
| 20 | V 809 149 100 Screw, Button HD w/Patch, 1/4 - 20 x 5/8 |
| 21 | V 844 049 002 Nut, Stover Lock, 1/4 - 20 |

**Bold faced parts denote new parts.
*Available 2008.**

Buy a Respot Cell Assembly 7-10.
Order Part # V 090 005 540



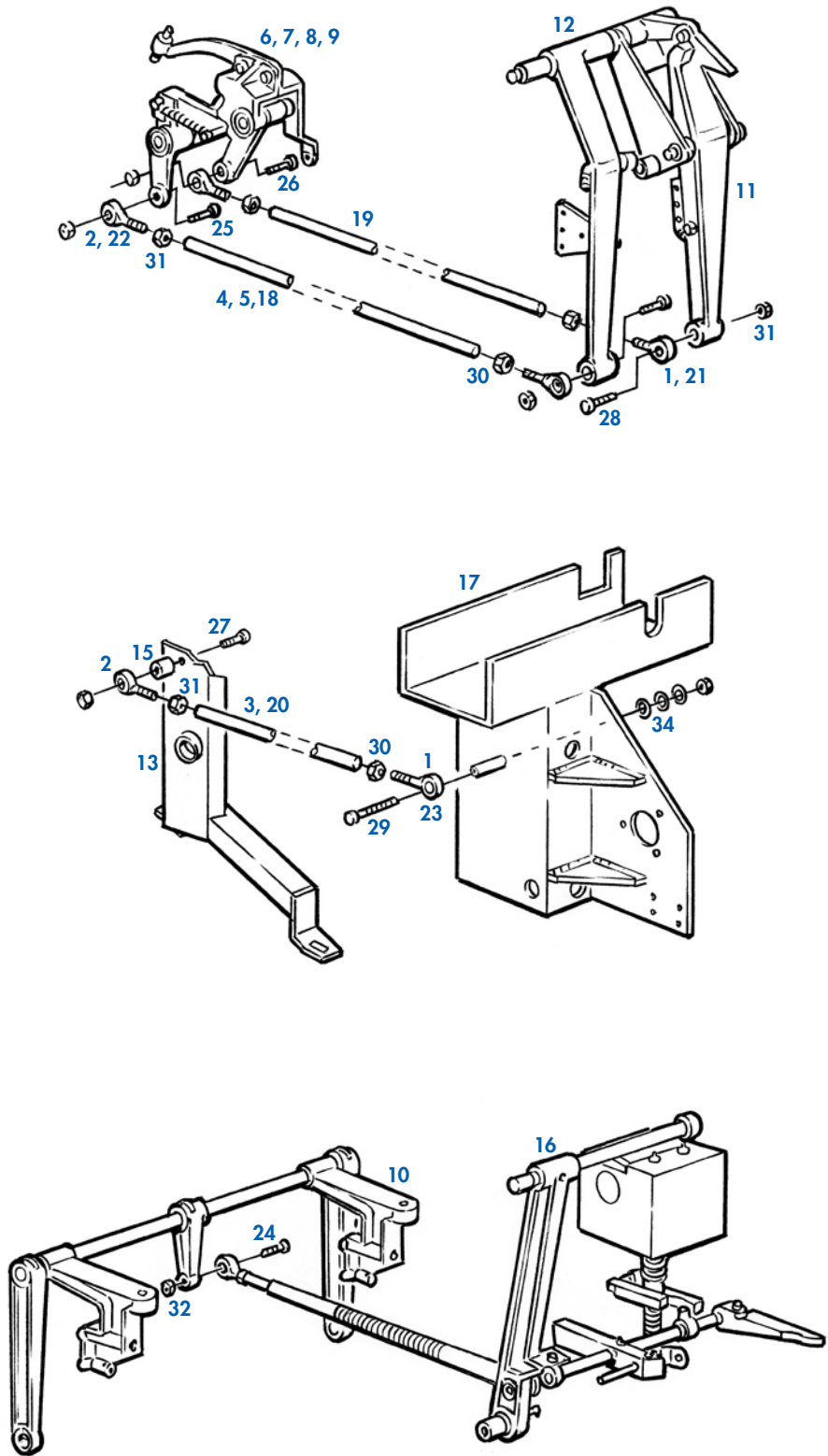
| Part # | Description |
|--------|-------------|
|--------|-------------|

- | | |
|-----------|---|
| 1 | V 070 002 630 Flanged Bearing, .252 x .315 x .218 |
| 2 | V 070 002 645 Lever Assembly Shaft |
| 3 | V 070 002 651 Respot Lever |
| 4 | V 070 002 653 Flanged Bearing, .252 x .315 x .38 |
| 5 | V 070 002 695 Yoke Plate |
| 6 | V 070 002 750 Screw, Flat Head |
| 7 | V 070 007 192 Washer |
| 8 | V 070 007 193 Respot Cell Spacer |
| 9 | V 070 007 195 Stud, Short |
| 10 | V 090 004 113 Respot Yoke Arm |
| 11 | V 090 004 118 Respot Yoke |
| 12 | V 090 004 119 Respot Finger |
| 13 | V 090 005 522 Respot Finger Bushing |
| 14 | V 090 005 571 Pin, 8-9-10 Links |
| 15 | V 090 005 617 Finger Insert |
| 16 | V 090 005 632 Not Available |
| 17 | V 090 005 640 Stud, Long |
| 18 | V 807 650 050 Setscrew, 1/4 - 28 x 5/16 |
| 19 | V 808 549 080 Screw, Button Head Cap, 1/4 - 20 X 1/2 |
| 20 | V 809 149 100 Screw, Button HD w/Patch, 1/4 - 20 x 5/8 |
| 21 | V 844 049 002 Nut, Stover Lock, 1/4 - 20 |
| 22 | V 963 200 002 X-Washer |

Bold faced parts denote new parts.
***Available 2008.**

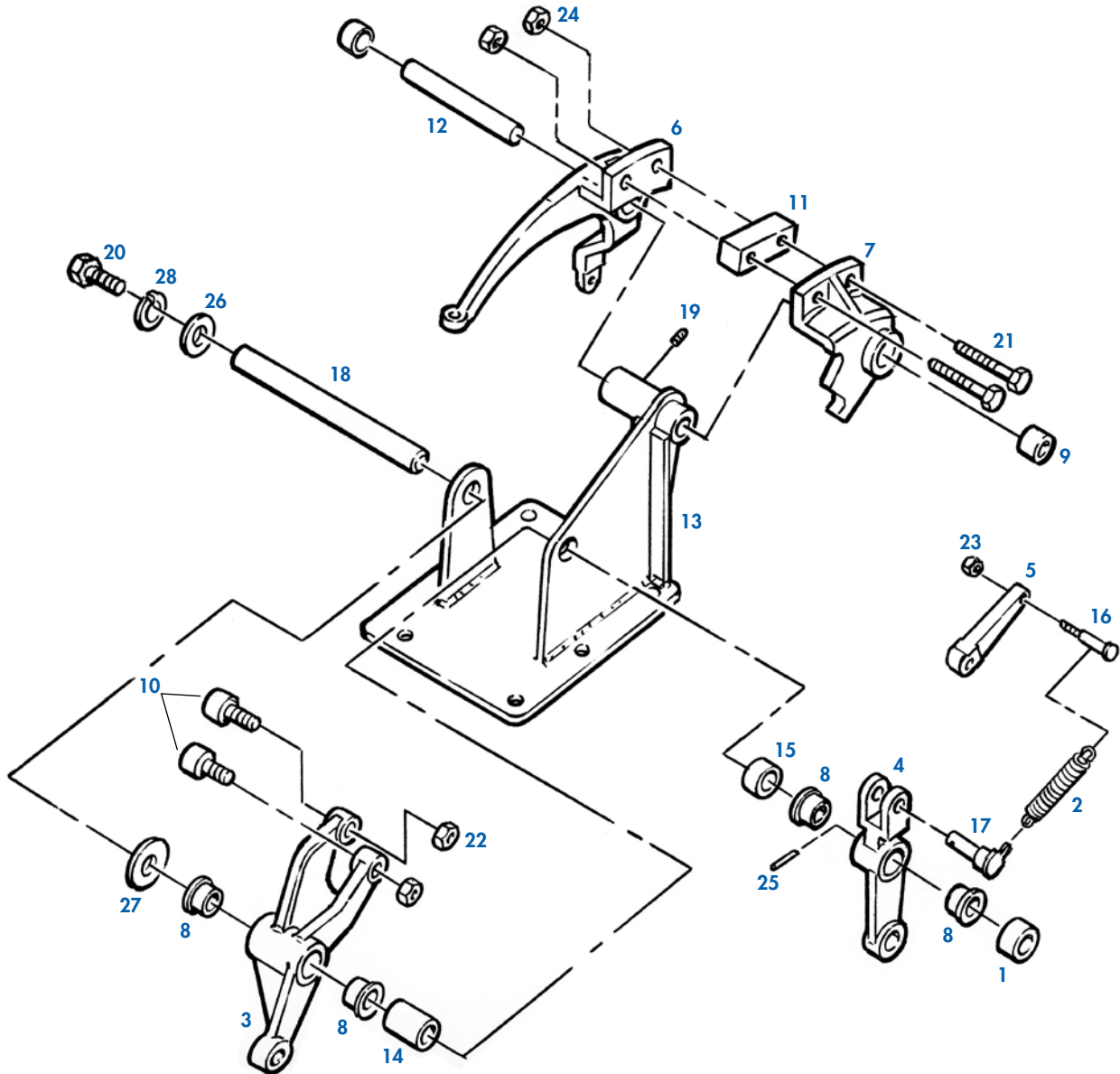


Tie Rod Assembly



| Part # | Description |
|-----------|---|
| 1 | V 000 025 004 End Fitting, R.H. |
| 2 | V 000 025 005 End Fitting L.H. |
| 3 | V 070 001 557 Table Tie Rod |
| 4 | V 070 001 601 Tie Rod Assy Respot |
| 5 | V 070 001 606 Respot Tie Rod |
| 6 | V 070 002 578 Spot Lever Assembly |
| 7 | V 070 002 595 Not Available |
| 8 | V 070 002 727 Shifter Link Assembly |
| 9 | V 070 002 728 Cam Link Assembly |
| 10 | V 070 006 358 Bracket Asy For Bin |
| 11 | V 070 006 481 Spot Link Assembly |
| 12 | V 070 006 492 Respot Arm Link Assembly |
| 13 | V 070 007 295 Table Support Weldment R.H. |
| 14 | V 070 007 296 Table Support Weldment L.H. (Not Shown) |
| 14a | V 070 007 302 Spacer |
| 15 | V 070 007 303 Spacer, 7/16 I.D. |
| 16 | V 090 003 655 Not Available |
| 17 | V 090 004 001 Not Available |
| 18 | V 090 005 251 Tie Rod Assy Respot |
| 19 | V 090 005 252 Tie Rod Assembly Spot |
| 20 | V 090 005 253 Tie Rod Asy |
| 21 | V 090 005 264 End Fitting, R.H. |
| 22 | V 090 005 265 End Fitting, L.H. |
| 23 | V 710 501 013 Not Available |
| 24 | V 809 865 245 Hex HD. Cap Screw, 3/8 - 16 x 1-1/2 LG |
| 25 | V 809 869 245 Hex HD. Cap Screw, 7/16 - 14 x 1 - 1/2 LG |
| 26 | V 809 869 285 Hex HD. Cap Screw, 7/16 - 14 x 1 - 3/4 LG |
| 27 | V 809 869 325 Hex HD. Cap Screw, 7/16 - 14 x 2 LG |
| 28 | V 809 869 365 Hex HD. Cap Screw, 7/16 - 1/4 x 2 - 1/4 LG. |
| 29 | V 809 869 405 Hex HD. Cap Screw R.H. 7/16 - 14 x 2 - 1/2 LG. |
| 30 | V 835 570 002 Hex Jam Nut, 7/16 - 20 R.H. |
| 31 | V 835 670 002 Hex Jam Nut, 7/16 - 20 L.H. |
| 32 | V 844 065 002 Flex Loc Nut, 3/8 - 16 |
| 33 | V 844 069 002 Stover Lock Nut, 7/16 - 14 |
| 34 | V 949 100 002 Plain Washer, 15/32 I.D. x 59/64 |

Available 2008.

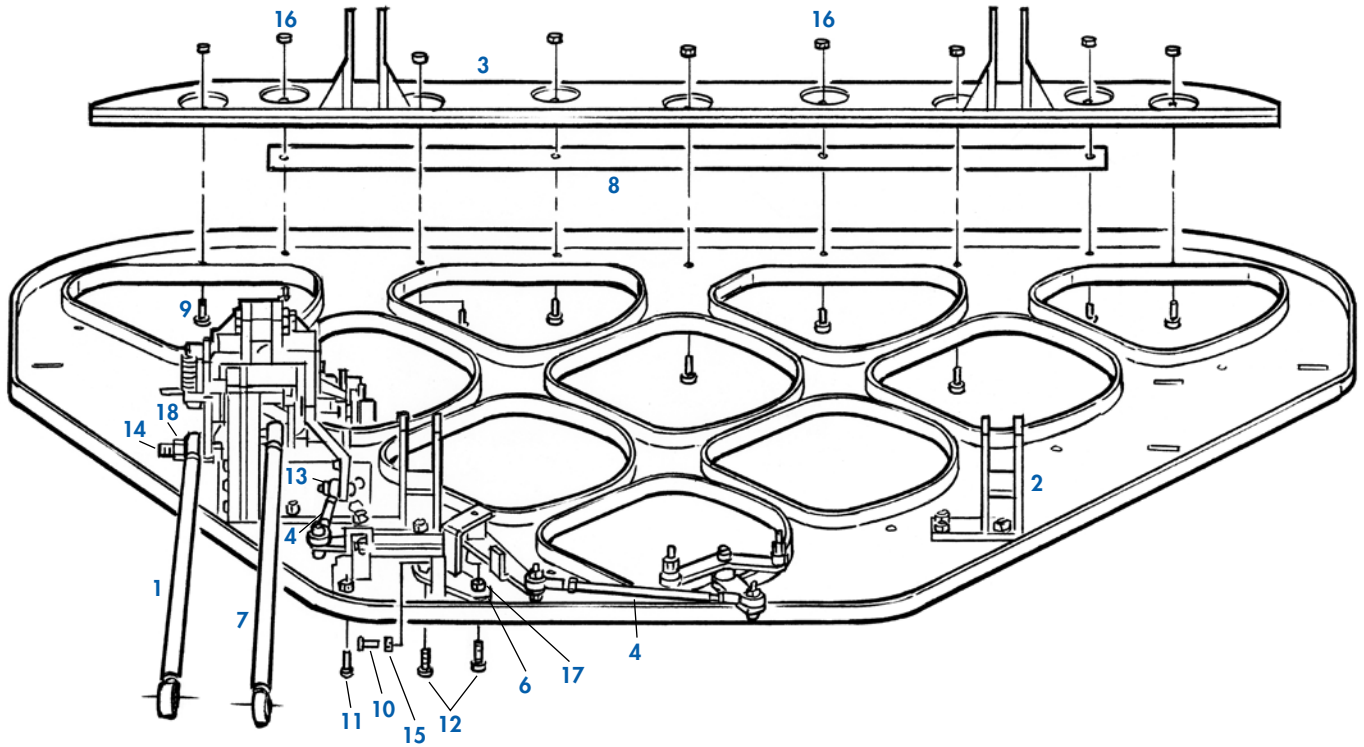


| Part # | Description | Part # | Description | Part # | Description |
|--------|---|------------|--|--------|---|
| 1 | V 000 021 423 Shaft Collar | 8 | V 070 002 745 Flanged Bearing, .6265 x .814 x 1/2 | 19 | V 807 249 060 Setscrew, 1/4 - 20 x 3/8 |
| 2 | V 070 001 807 Respot Lever Spring | 9 | V 070 002 781 Needle Bearing | 20 | V 809 865 125 Screw, Hex , 3/8 - 16 x 3/4 |
| 3 | V 070 002 578 Spot Lever Assembly (Includes 14 & 21) | 10 | V 070 002 816 Cam Follower | 21 | V 809 865 325 Screw, Hex 3/8 - 16 x 2 |
| 4 | V 070 002 579 Finger Lever Assy (Includes 14 & 16) | *11 | V 090 005 520 Spacer | 22 | V 840 066 002 Nut, Flex Lock, Thin, 3/8 - 24 |
| 5 | V 070 002 590 Finger Link | *12 | V 090 005 521 Shaft, Short Side | 23 | V 843 140 002 Nut, Hex Lock, 10 - 32 |
| 6 | V 070 002 725 Not Available | *13 | V 090 005 526 Tie Rod Bracket | 24 | V 844 065 002 Nut, Stover Lock, 3/8 - 16 |
| 7 | V 070 002 727 Shifter Link & Bearing Assy (Includes 4 & 6) | *14 | V 090 005 532 Spacer | 25 | V 913 423 120 Spring Pin |
| | | *15 | V 090 005 533 Spacer | 26 | V 948 767 132 Washer, Flat, 13/32 x 13/16 x 1/16 |
| | | *16 | V 090 005 629 Pin | 27 | V 948 983 212 Washer, Flat, 21/32 x 1-5/16 |
| | | *17 | V 090 005 631 Pivot Weldment | 28 | V 951 164 002 Washer, Split Lock, 3/8 |
| | | *18 | V 090 005 655 Shaft | | |

Bold faced parts denote new parts.
*Available 2008.



Table & Bracket Assembly (Steel)

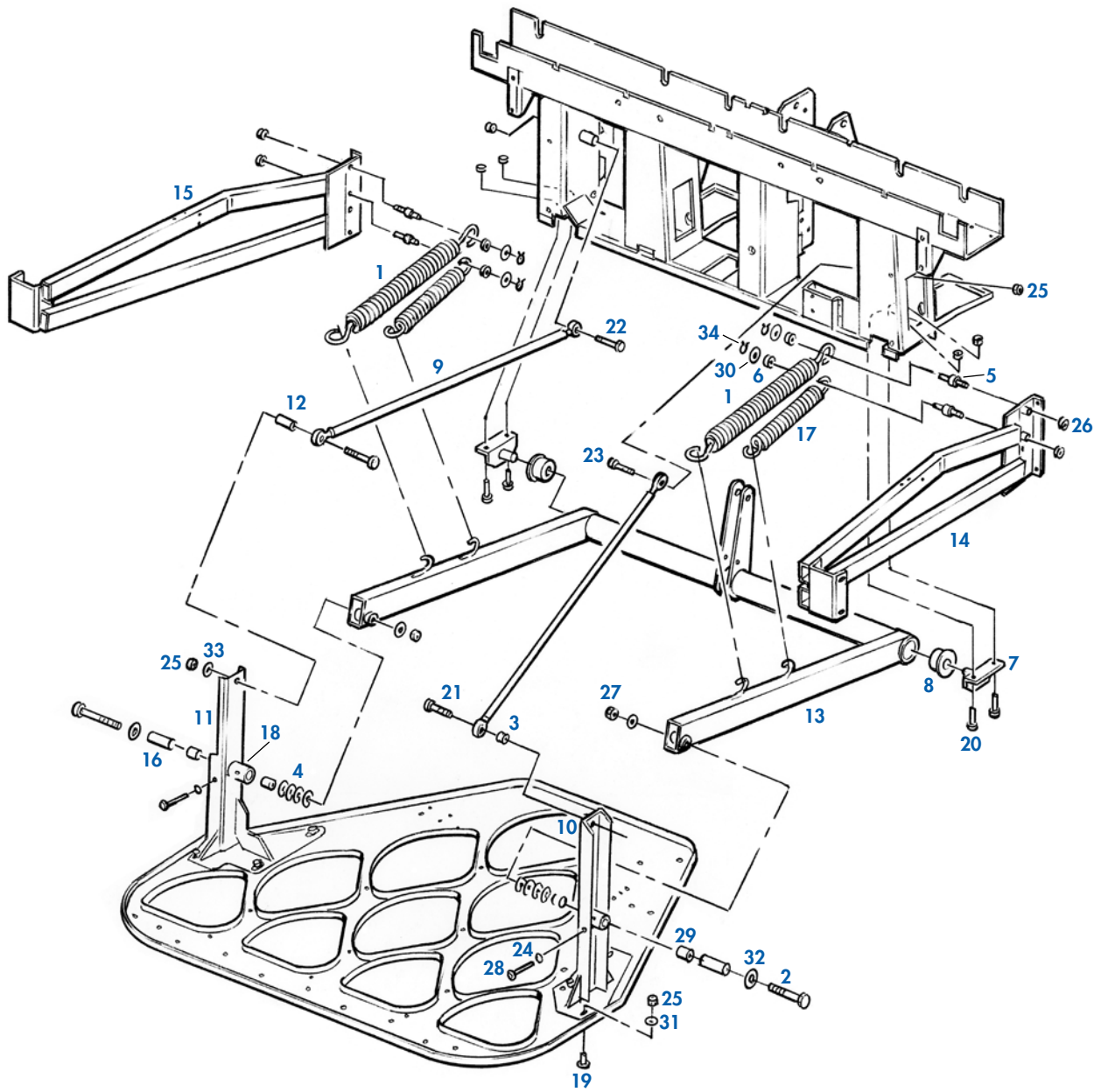


| Part # | Description |
|-----------|---|
| 1 | V 090 005 251 Respot Tie Rod |
| 2 | V 090 005 505 Front Bracket Weldment |
| *3 | V 090 005 536 Mounting Bracket |
| 4 | V 090 005 613 Rod Assembly, Long |
| 5 | V 090 005 615 Rod Assembly, Short |
| *6 | V 090 005 637 Pivot Support Bracket |
| 7 | V 090 005 651 Spot Tie Rod |
| 8 | V 090 005 656 Rear Bracket Shim |

| Part # | Description |
|-----------|---|
| 9 | V 808 549 120 Screw, Button Head Cap, 1/4 - 20 x 3/4 |
| 10 | V 808 549 200 Screw, Button Head Cap, 1/4 - 20 x 1-1/4 |
| 11 | V 808 557 120 Screw, Button Head Cap, 5/16 - 18 x 3/4 |
| 12 | V 808 557 140 Screw, Button Head Cap, 5/16 - 18 x 7/8 |

| Part # | Description |
|-----------|--|
| 13 | V 809 849 165 Screw, Hex, 1/4 - 20 x 1 |
| 14 | V 809 869 285 Screw, Hex, 7/16 - 14 x 1-1/2 |
| 15 | V 835 549 002 Nut, Hex Jam, 1/4 - 20 |
| 16 | V 844 049 002 Nut, Stover Lock, 1/4 - 20 |
| 17 | V 844 057 002 Nut, Stover Lock, 5/16 - 18 |
| 18 | V 844 069 002 Nut, Stover Lock, 7/16 - 14 |

Bold faced parts denote new parts.
***Available 2008.**



| Part # | Description |
|--------|---|
| 1 | V 000 022 782 Counterbalance Spring |
| 2 | V 070 006 048 Bolt, Special |
| 3 | V 070 007 303 Leveling Rod Spacer |
| 4 | V 070 007 752 Spacer |
| 5 | V 090 002 028 Spring Roller Pin |
| 6 | V 090 003 795 Counterbalance Spring Roller |
| 7 | V 090 004 007 Tube Hanger Bracket |
| 8 | V 090 005 015 Bearing Torque Tube |
| 9 | V 090 005 253 Tie Rod Assembly |
| 10 | V 090 005 509 Table Support Weldment, L.H. |
| 11 | V 090 005 514 Table Support Weldment, R.H. |
| 12 | V 090 005 597 Leveling Spacer |

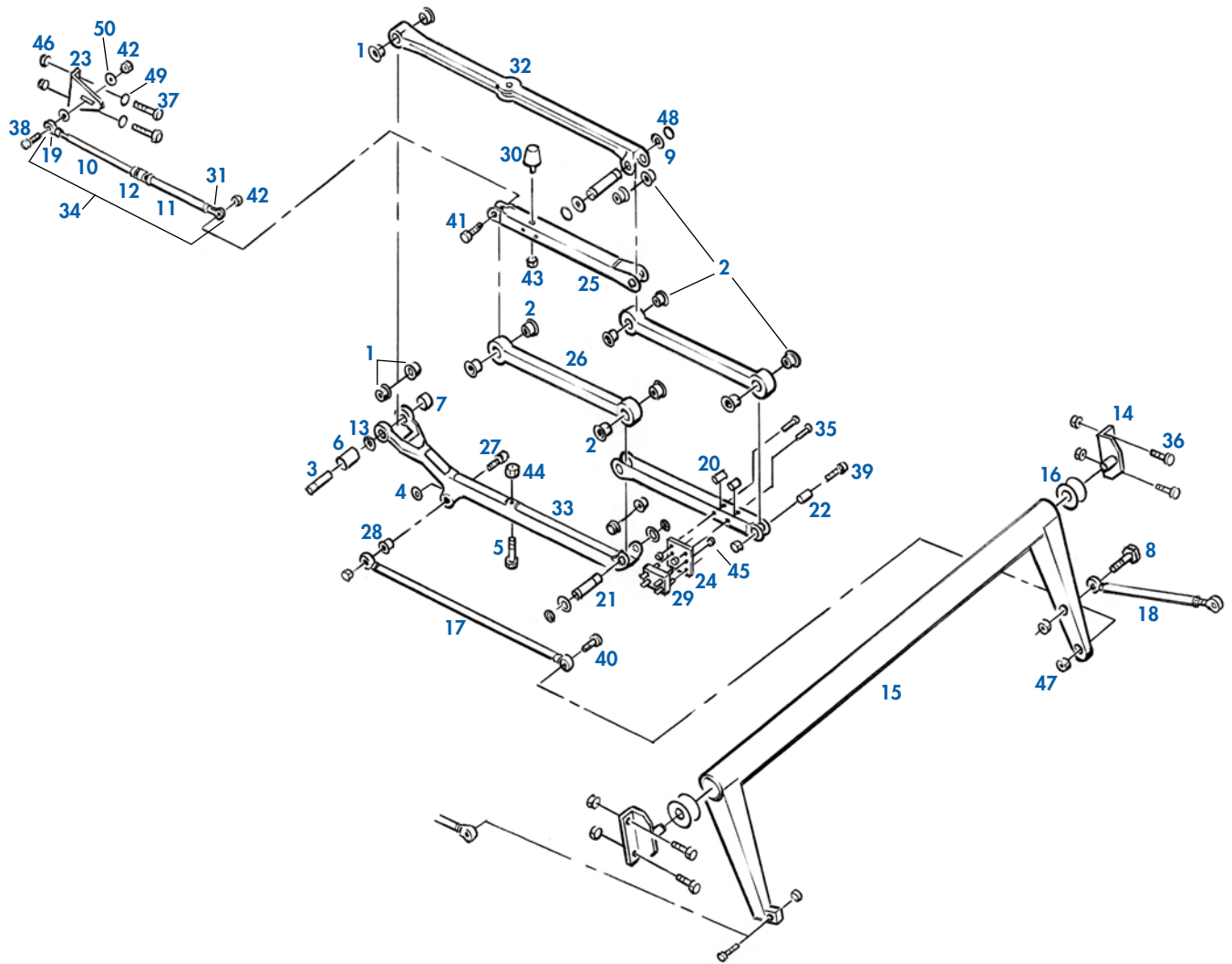
| Part # | Description |
|--------|---|
| 13 | V 090 005 645 Torque Tube Weldment |
| 14 | V 090 005 646 Not Available |
| 15 | V 090 005 647 Not Available |
| 16 | V 090 005 654 Sleeve, Upright |
| 17 | V 090 005 662 Counterbalance Spring, Small |
| 18 | V 710 501 009 Not Available |
| 19 | V 801 369 161 Not Available |
| 20 | V 809 865 245 Screw, Hex, 3/8 - 16 x 1-1/2 |
| 21 | V 809 869 325 Screw, Hex, 7/16 - 14 x 2.25 |
| 22 | V 809 869 365 Screw, Hex, 7/16 - 14 x 2.25 |
| 23 | V 809 869 520 Screw, Hex, 7/16 - 14 x 3.25 |
| 24 | V 835 549 002 Nut, Hex Jam, 1/4 - 20 |

| Part # | Description |
|--------|---|
| 25 | V 838 369 002 Not Available |
| 26 | V 839 665 002 Nut, Stover Lock, 3/8 - 16 |
| 27 | V 844 081 002 Nut, Stover Lock, 5/8 - 11 |
| 28 | V 879 849 487 Not Available |
| 29 | V 900 114 101 Sleeve Bearing, .877 x 1.128 x 5/8 |
| 30 | V 945 867 242 Washer, Flat, .406 x 1-1/2 x .05 |
| 31 | V 948 868 162 Washer, Flat, 7/16 |
| 32 | V 948 983 212 Washer, 21/32 x 1-5/16 |
| 33 | V 949 100 002 Washer, 59/64 x 15/32 x 1/16 |
| 34 | V 963 400 002 X-Washer, 3/16 |

Bold faced parts denote new parts.
*Available 2008.



Sweep Arm Assembly

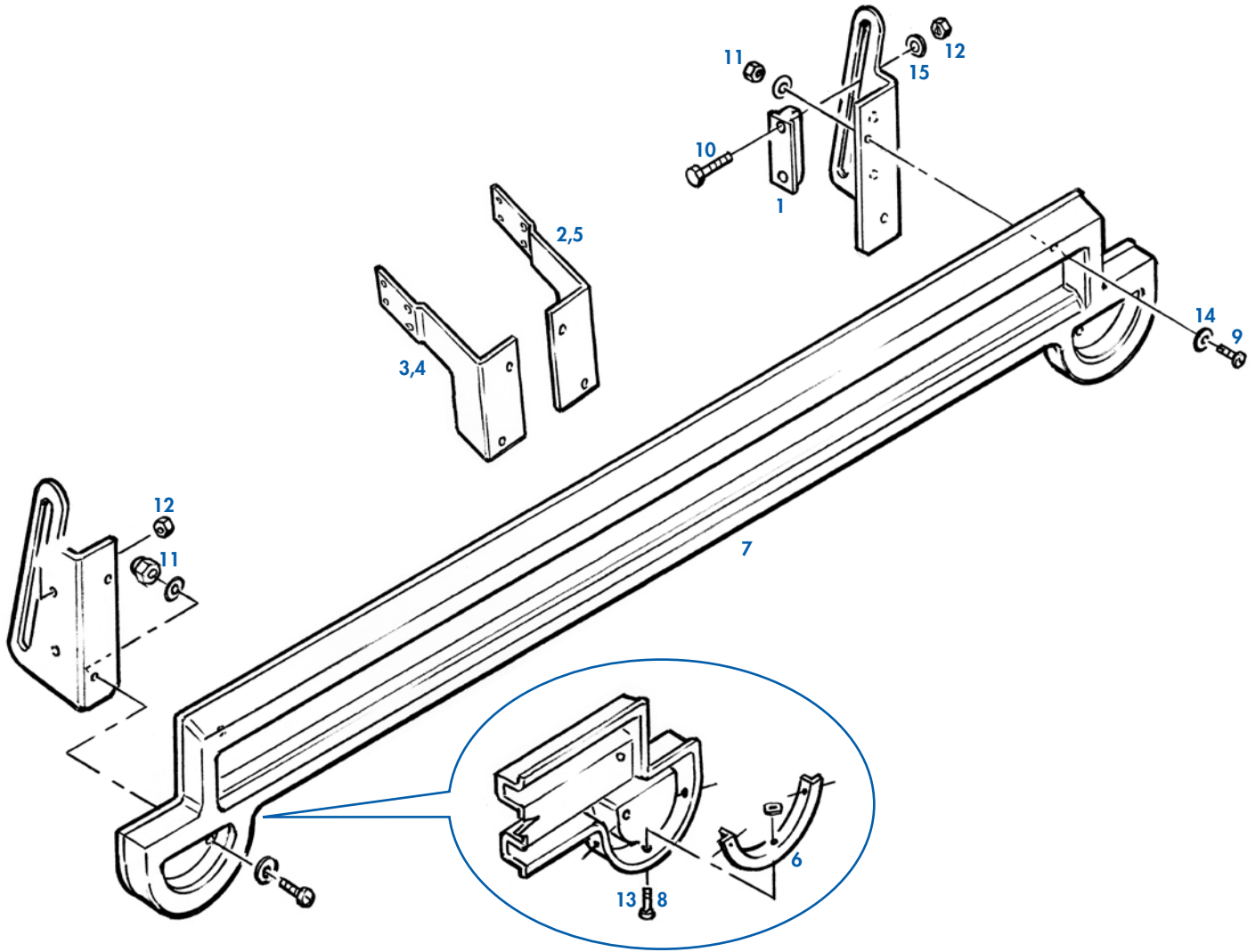


| Part # | Description |
|-----------|---|
| 1 | V 000 023 104 Flanged Bearing, 1.25 x 1.5 .953 |
| 2 | V 000 023 114 Flanged Bearing, .628 x .81 x .06 |
| 3 | V 070 003 106 Main Pivot Shaft |
| 4 | V 070 003 117 Drive Link Spacer |
| 5 | V 070 003 221 Screw, Sweep Link Assembly |
| 6 | V 070 003 232 Main Pivot Spacer, Long |
| 7 | V 070 003 233 Main Pivot Spacer, Short |
| 8 | V 070 003 243 Screw, Hex, 1/2 - 13 x 2 1/2 |
| 9 | V 070 006 121 Washer |
| 10 | V 070 007 276 Rod |
| 11 | V 070 007 278 Tube Weldment |
| 12 | V 070 007 283 Bumper |
| 13 | V 070 011 819 Not Available |
| 14 | V 090 004 007 Torque Tube Hanger |
| 15 | V 090 004 010 Sweep Rocker Arm |
| 16 | V 090 005 015 Torque Tube Bearing |
| 17 | V 090 005 254 Drive Link Connecting Rod |
| 18 | V 090 005 255 Connecting Rod Assembly |

| Part # | Description |
|-----------|--|
| 19 | V 090 005 257 Rod End |
| 20 | V 090 006 125 Lower Steel Sweep Spacer |
| 21 | V 090 006 126 Pin, Steel Sweep Linkage |
| 22 | V 090 006 127 Steel Sweep Link Sleeve |
| 23 | V 090 006 128 Sweep Link Bracket |
| 24 | V 090 006 131 Sweep Shock Mount Plate |
| 25 | V 090 006 132 Steel Sweep Link, Upper & Lower |
| 26 | V 090 006 133 Middle Link, Steel |
| 27 | V 090 006 134 Drive Link Pin |
| 28 | V 090 006 135 Drive Link Bushing/Spacer |
| 29 | V 090 006 136 Shock Mount |
| 30 | V 090 006 137 Bumper |
| 31 | V 090 006 138 Rod End, 7/16 - 20 .5 |
| 32 | V 090 006 139 Stabilizer Link Assy |
| 33 | V 090 006 140 Drive Link Assy |

| Part # | Description |
|-----------|--|
| 34 | V 090 006 145 Sweep Link Slide Assy |
| 35 | V 809 857 365 Screw, Hex, 5/16 - 18 x 2 1/4 |
| 36 | V 809 865 285 Screw, Hex, 3/8 - 16 x 1 x 3/4 |
| 37 | V 809 865 445 Screw, Hex, 3/8 - 16 x 2.75 |
| 38 | V 809 869 245 Bolt, 7/16-14 x 1.5 |
| 39 | V 809 869 325 Bolt, Hex, 7/16 - 14 x 2 |
| 40 | V 809 869 365 Screw, Hex, 7/16 - 14 x 2-1/4 |
| 41 | V 809 869 405 Bolt, Hex, 7/16 - 14 x 2-1/2 |
| 42 | V 844 069 002 Nut, Stover Lock, 7/16 - 14 |
| 43 | V 839 057 002 Nut, Hex Lock Nylon, 5/16 - 18 |
| 44 | V 839 665 002 Nut, Flex Lock, 3/8 - 16 |
| 45 | V 844 057 002 Nut, Stover Lock, 5/16 - 18 |
| 46 | V 844 065 002 Nut, Stover Lock, 3/8 - 16 |
| 47 | V 844 073 002 Nut, Stover Lock, 1/2 - 13 |
| 48 | V 919 005 600 Retaining Ring |
| 49 | V 948 767 132 Washer, 13/32 x 13/16 x 1/16 |
| 50 | V 949 100 002 Washer, 59/64 x 15/32 |

Bold faced parts denote new parts.
***Available 2008.**



| Part # | Description |
|----------|--|
| 1 | V 000 023 182 Slide Bar |
| 2 | V 090 001 170 Sweep Mounting Bracket R.H. |
| 3 | V 090 001 171 Sweep Mounting Bracket L.H. |
| 4 | V 090 006 129 Sweep Mounting Bracket L.H. |
| 5 | V 090 006 130 Sweep Mounting Bracket R.H. |
| 6 | V 300 000 175 Cap- Sweep Bar |
| 7 | V 300 000 182 Sweep Bar and Cap Assembly |

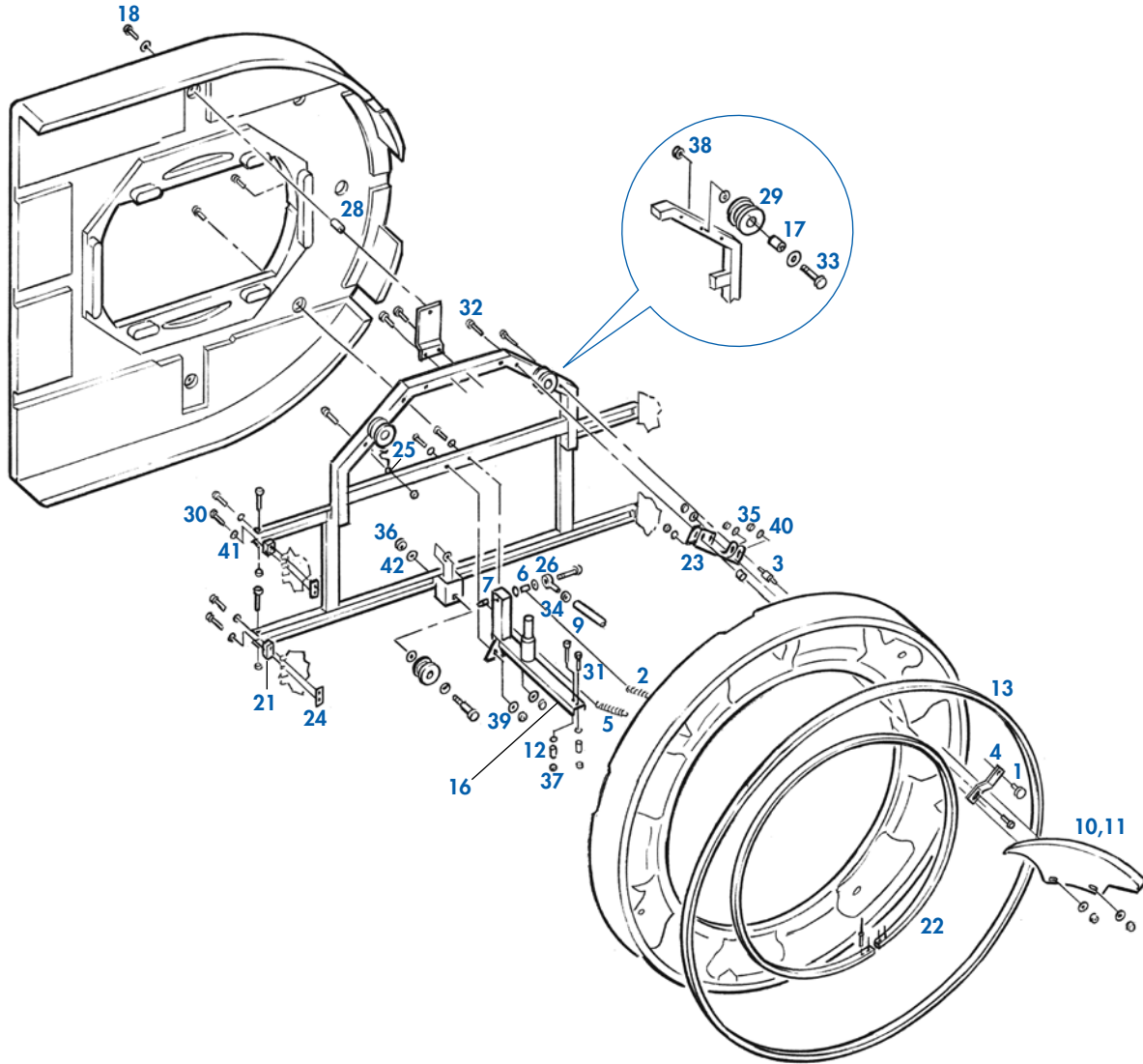
| Part # | Description |
|--------|--|
| 8 | V 749 537 068 Not Available |
| 9 | V 808 557 140 Screw, Soc. Butt HD. 5/16 - 18 x 7/8 LG |
| 10 | V 809 857 245 Screw, Hex HD. Cap, 5/16 - 18 x 1 - 1/2 LG (GR-8) |
| 11 | V 830 057 002 Nut - Acorn 5/16 - 18 (Plated) |
| 12 | V 844 057 002 Nut Stover Lock 5/16 - 18 |

| Part # | Description |
|--------|--|
| 13 | V 938 637 100 Rivet-Pop 3/16 Diameter, Aluminum |
| 14 | V 948 722 111 Washer - Black Oxide, 11/16 O.D. x 11/32 I.D. x 1/16 THK |
| 15 | V 948 761 112 Washer, 11/16 O.D. x. 11/32 I.D. x 1/16 THK. |

Bold faced parts denote new parts.
***Available 2008.**



Pin Elevator Wheel Assembly



| Part # | Description |
|-----------|--|
| 1 | V 000 021 992 Bumper |
| 2 | V 000 026 032 Distributor Lateral Drive Spring |
| 3 | V 000 029 068 Rubber Mounting |
| 4 | V 070 001 415 Rail Stop Bracket |
| 5 | V 070 006 030 Safety Link Spring |
| 6 | V 070 006 043 Spacer |
| 7 | V 070 006 044 Spring Post Nut, 3/8 - 16 |
| 8 | V 070 006 045 Distributor Support Post |
| 9 | V 070 006 047 Safety Link Tube |
| 10 | V 070 006 098 Rail, R.H. Machine |
| 11 | V 070 006 099 Rail, L.H. Machine |
| 12 | V 070 008 449 Spacer |
| 13 | V 090 002 065 Pin Wheel Bolt |
| 14 | V 090 003 102 Not Available |
| 15 | V 090 003 111 Upper Guard Support |

| Part # | Description |
|------------|--|
| *16 | V 090 003 112 Distributor Mount |
| 17 | V 090 003 116 Spacer |
| 18 | V 090 004 055 Washer |
| 19 | V 090 004 116 Not Available |
| 20 | V 090 004 117 Not Available |
| 21 | V 090 005 106 Hinge/Spacer |
| *22 | V 090 005 108 Pin Wheel Strip |
| *23 | V 090 005 120 Rail Standoff Bracket |
| 24 | V 090 005 123 Nut Plate |
| *25 | V 090 005 144 Static Brush |
| 26 | V 090 005 256 Rod End |
| 27 | V 090 007 145 Not Available |
| 28 | V 090 007 241 Spacer |
| 29 | V 090 007 327 Pin Elevator Roller |
| 30 | V 809 857 325 Screw, Hex, 5/16 - 18 x 2 |

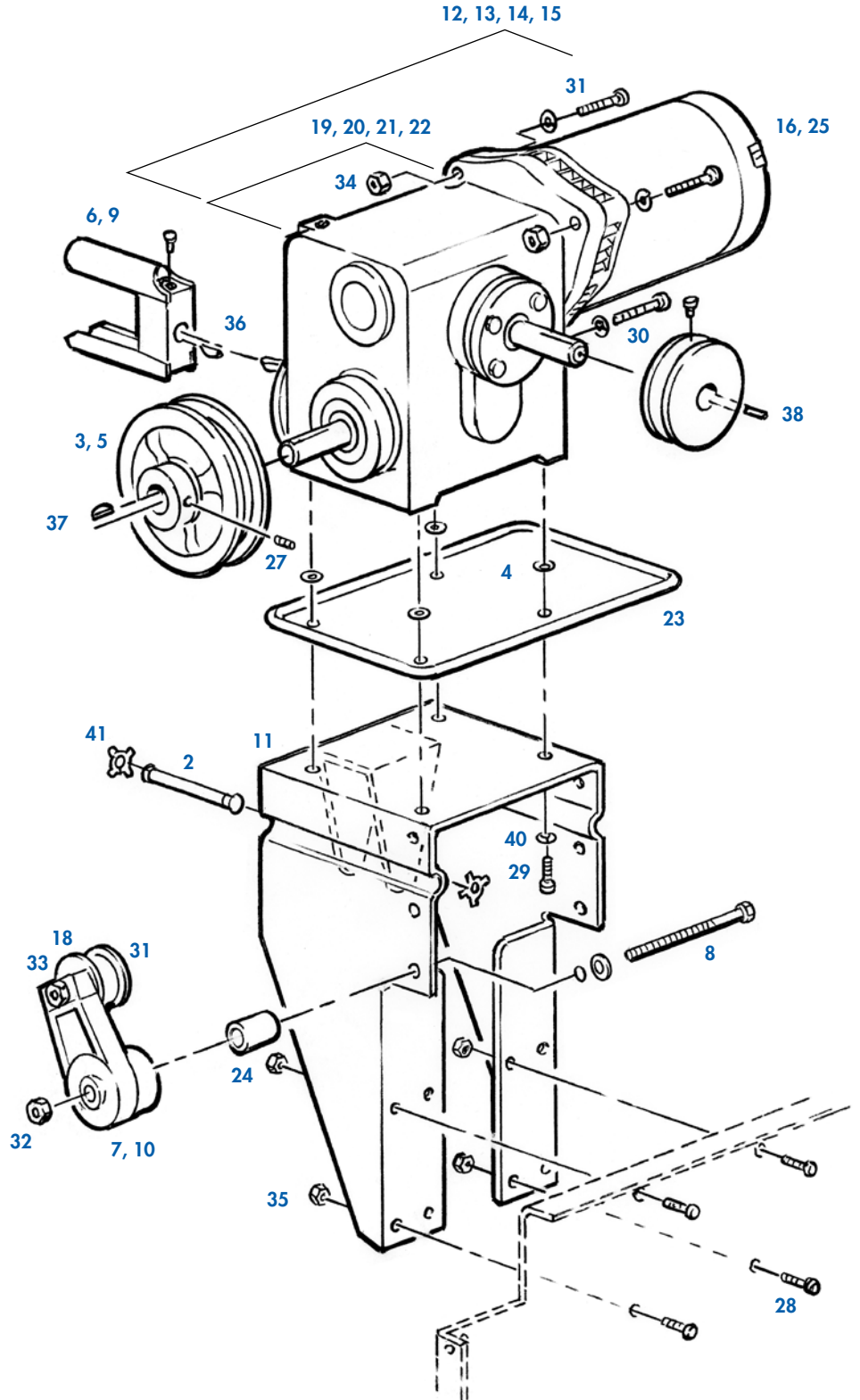
| Part # | Description |
|-----------|--|
| 31 | V 809 857 365 Screw, Hex, 5/16 - 18 x 2-1/4 |
| 32 | V 809 857 405 Screw, Hex, 5/16 - 18 x 2-1/2 |
| 33 | V 809 865 725 Screw, Hex, 3/8 - 16 x 4-1/2 |
| 34 | V 831 566 002 Nut, Hex, 3/8 - 24 |
| 35 | V 834 557 002 Nut, Hex, 5/16 - 18 |
| 36 | V 840 381 002 Nut, Flex Lock, 5/8-11 |
| 37 | V 844 057 002 Nut, Stover Lock, 5/16 - 18 |
| 38 | V 844 065 002 Nut, Stover Lock, 3/8 - 16 |
| 39 | V 948 761 112 Washer, Flat, 11/16 x 11/32 x 1/16 |
| 40 | V 948 767 132 Washer, 13/16 x 13/32 x 1/16 |
| 41 | V 951 156 002 Washer, Split Lock, 5/16 |
| 42 | V 951 181 002 Washer, Split Lock, 5/8 |

Bold faced parts denote new parts.
***Available 2008.**

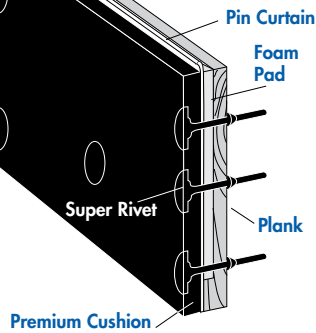
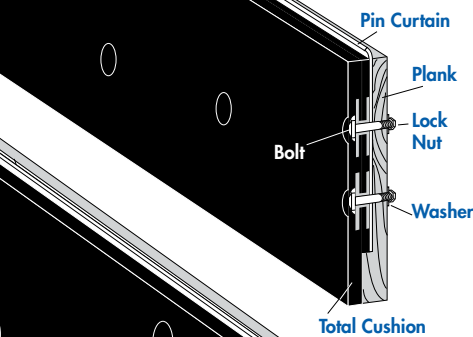
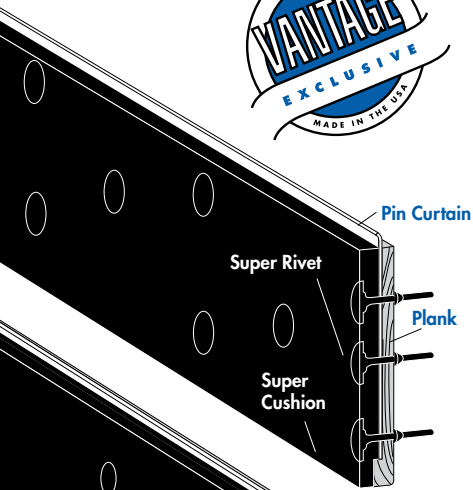


| Part # | Description |
|--------|---|
| 1 | V 000 022 172 Pulley |
| 2 | V 000 022 821 Shock Pin |
| 3 | V 000 023 673 Pin Elevator Sheave |
| 4 | V 000 023 758 Paper Washer, 3/8 I.D. x 7/8 O.D. |
| 5 | V 000 024 598 Adjustable Speed Pin Feed Pulley |
| 6 | V 000 027 390 Distributor Drive Housing (Original) |
| 7 | V 070 002 007 Belt Tightener Pulley Assembly |
| 8 | V 070 003 221 Hex HD. Cap Screw, 3/8 - 16 3 - 1/2 LG. |
| 9 | V 090 001 130 Distributor Drive Housing (Wide) |
| 10 | V 090 003 508 Tensioner Assembly |
| *11 | V 090 003 509 Motor Mount Weldment Ass'y |
| *12 | V 090 003 512 Gearbox L.H. 50 Hz Assembly |
| *13 | V 090 003 513 Gearbox R.H. 50 Hz Assembly |
| *14 | V 090 003 514 Gearbox R.H. 60 Hz Assembly |
| *15 | V 090 003 515 Gearbox L.H. 60 Hz Assembly |
| *16 | V 090 003 766 Motor, 60 Hz |
| 17 | V 090 004 120 Stub Shaft (Not Shown) |
| 18 | V 090 004 444 Idler Pulley |
| *19 | V 090 004 501 Gearbox R.H. 60 Hz |
| *20 | V 090 004 502 Gearbox L.H. 60 Hz |
| *21 | V 090 004 506 Gearbox R.H. 50 Hz |
| *22 | V 090 004 507 Gearbox L.H. 50 Hz |
| 23 | V 090 004 517 Back End Motor Drip Pan |
| 24 | V 090 004 519 Spacer |
| *25 | V 090 007 310 Motor, 50 Hz |
| 26 | V 700 107 146 Loctite - OBS |
| 27 | V 807 358 060 Socket Set Screw, 5/16 - 24 x 3/8 LG. |
| 28 | V 809 857 125 Hex HD. Cap Screw, 5/16 - 18 x 3/4 LG. |
| 29 | V 809 865 165 Hex HD. Cap Screw, 3/8 - 16 x 1 LG. |
| 30 | V 809 865 245 Hex HD. Cap Screw, 3/8 - 16 x 1 - 1/2 LG. |
| 31 | V 809 865 325 Hex HD. Cap Screw, 3/8 - 16 x 2 LG. |
| 31 | V 809 865 325 Hex HD. Cap Screw, 3/8 - 16 x 2 LG. |
| 32 | V 831 565 002 Hex Nut, 3/8 - 16 |
| 33 | V 835 565 002 Hex Jam Nut, 3/8 - 16 |
| 34 | V 839 665 002 Flex Loc Nut, 3/8 - 16 |
| 35 | V 844 057 002 Stover Lock Nut 5/16 - 18 |
| 36 | V 907 000 300 Key |
| 37 | V 907 201 000 Key, Hi-Pro # HP-606 |
| 38 | V 907 202 600 Key, Square 3/16 x 3/16 x 2 LG. |

| Part # | Description |
|--------|--|
| 39 | V 948 767 132 Flat Washer, 13/32 I.D. x 13/16 O.D. x 1/16 THK. |
| 40 | V 951 164 002 Split Lock Washer, 3/8 |
| 41 | V 963 600 002 X-Washer |



Bold faced parts denote new parts.
***Available 2008.**



IS REACTIVE RESIN BALL DAMAGE A CONCERN?

If so, these High Performance cushion replacements can help. With no protruding rivets to hold balls in the pit, ball exit is the fastest available. **LESS PIT TIME = LESS BALL DAMAGE!**

Super Cushion

V 222-L Super Cushion Left - Even Machines

V 222-R Super Cushion Right - Odd Machines

The Super Cushion offers the one piece urethane construction of our popular Total Cushion, but utilizes our high strength Super Rivets for attachment to the cushion plank. The molded design of the Super Cushion allows the rivets to be pulled into place flush with the cushion surface, eliminating head wear, pull through and ball marking, while providing easy ball exit.

- Sixteen Super Rivets, Vantage part number V 000 028 519-U.
- No metal inserts or hardware.
- Unique "matte finish" – will not reflect pit lights or impede automatic scoring.

Total Cushion

V 201-L Total Cushion Left - Even Machines

V 201-R Total Cushion Right - Odd Machines

This popular product, choice of mechanics worldwide, has a new "impact resistant" insert system. We have added a 7 gauge steel washer to the inside of the total cushion that prevents bolt pull through due to repeated ball impact or over tensioning of the lock nut on the back of the cushion plank. Each total cushion is shipped with a bolt pack and instructions for easy installation.

- No rivets for installation or maintenance.
- Impact and oil resistance.
- Easy ball exit from the machine minimizing machine cycle time and ball damage.
- No marking of pins or balls.

Premium Cushion

V 225 -L Premium Cushion Left - Even Machines

V 225 -R Premium Cushion Right - Odd Machines

If you have had it with buna pads, cushion facings and rubber rivets, then our Premium Cushion is for you. That's because it replaces these troublesome parts with one piece of molded urethane. It "sandwiches" the pin curtain and foam pad between it and the wood cushion plank and is attached using sixteen Vantage Super Rivets. This combination offers:

- No ball or pin marking, in fact you don't even use a cushionfacing!
- Identical installation to the O.E.M with molded pockets to hold the rivets – not die cut holes.
- Impact and oil resistance far superior to any rubber version available.
- Sixteen Super Rivets, Vantage part number V 000 028 519-U.

Two Cushion Planks - Only Vantage gives you a choice.

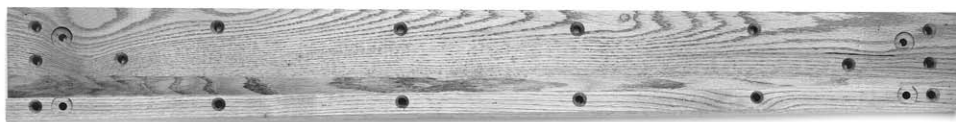
V 000 024 795-6 Universal Cushion Plank

This product represents a significant improvement over the original wood product because it is made to accommodate both right and left hand machines by changing the way the lower strip is attached to the body of the cushion plank. Manufactured from a material offering greater durability against the impact of balls and pins than does wood, it will not split, fracture, or sliver.

V 000 024 7956-LK
U.C.P. Lower Strip Kit



V 000 024 7956-L
Lower Strip for 795-6

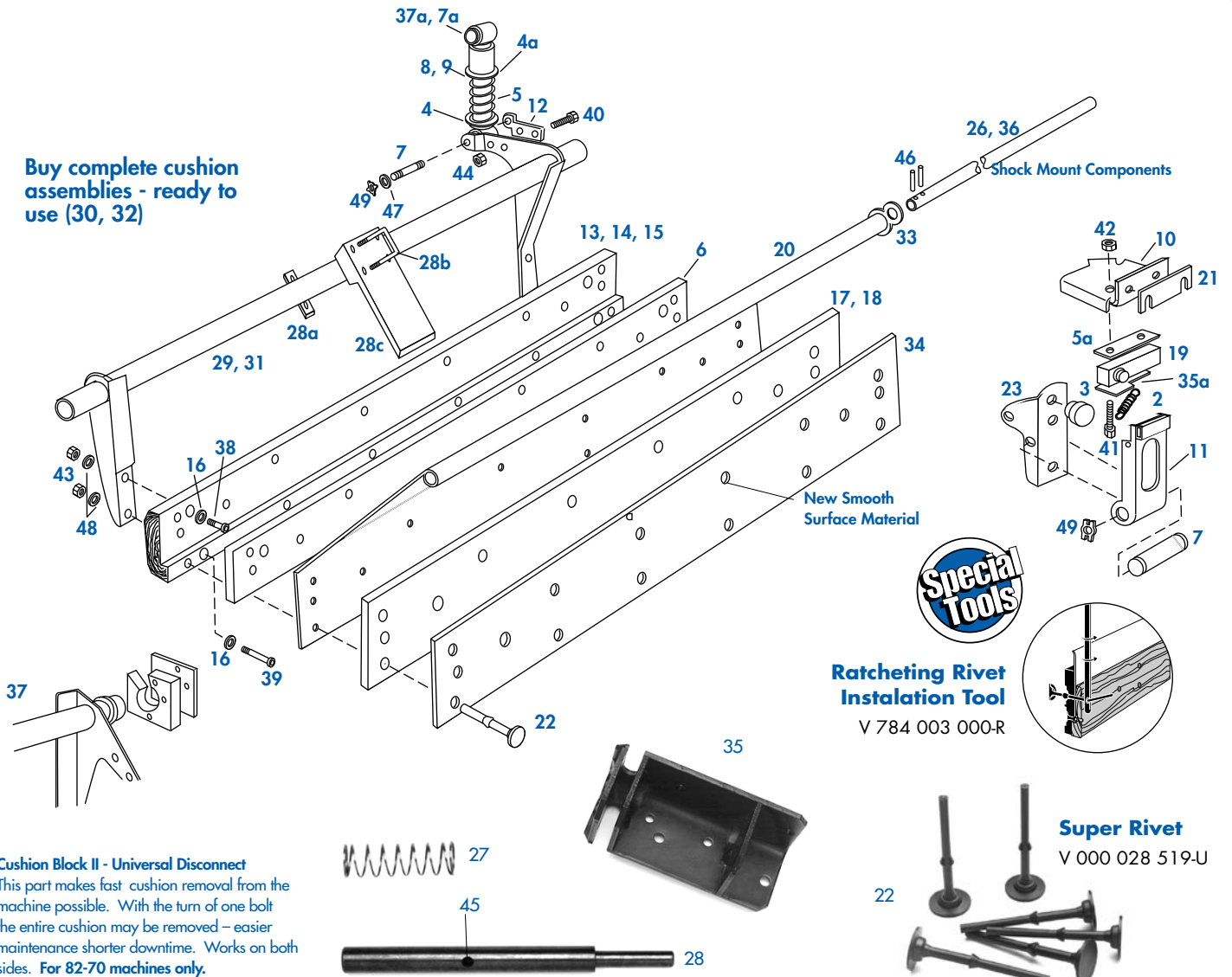


V 000 024 795 Wood Cushion Plank, Left Hand (Even)

V 000 024 796 Wood Cushion Plank, Right Hand (Odd)



Buy complete cushion assemblies - ready to use (30, 32)



Cushion Block II - Universal Disconnect
 This part makes fast cushion removal from the machine possible. With the turn of one bolt the entire cushion may be removed – easier maintenance shorter downtime. Works on both sides. **For 82-70 machines only.**

Ratcheting Rivet Installation Tool
 V 784 003 000-R

Super Rivet
 V 000 028 519-U

| Part # | Description |
|--------|--|
| 2 | V 000 021 431 Spring (82-70 machines) |
| 3 | V 000 021 992 Bumper |
| 4 | V 000 022 286 Collar |
| 4a | V 000 022 287 Washer-Spring Seat (Steel Const.) |
| 5 | V 000 022 288 Cushion Spring |
| 5a | V 000 022 296 Insulator |
| 6 | V 000 022 770 Cushion Sponge |
| 7 | V 000 022 821 Pin |
| 7a | V 000 022 822 Sleeve |
| 8 | V 000 022 823 Shock Absorber |
| 9 | V 000 022 824 Cushion Shock Assembly |
| 10 | V 000 022 828 Bracket |
| 11 | V 000 023 621 Switch Lever |
| 12 | V 000 024 534 Ear Hanger |
| 13 | V 000 024 795 Wood Cushion Plank L.H. (Even) |
| 14 | V 000 024 795-6 Universal Cushion Plank |
| 15 | V 000 024 796 Wood Cushion Plank R.H. (Odd - shown) |
| 16 | V 000 024 801 Plank Washer |

| Part # | Description |
|--------|--|
| 17 | V 000 024 807 Cushion R.H. (Odd - shown) |
| 18 | V 000 024 808 Cushion L.H. (Even) |
| 19 | V 000 026 043 Switch |
| 20 | V 000 026 445 Pin Curtain |
| 21 | V 000 028 036 Shim |
| 22 | V 000 028 519-U Super Rivet |
| 23 | V 000 029 624 Shock Mount Bracket |
| 26 | V 030 003 055 82-30 Curtain Rod |
| 27 | V 070 001 389 Curtain Latch Spring |
| 28 | V 070 001 396 Curtain Latch Pin |
| 28a | V 070 001 421 Curtain Pad Strip |
| 28b | V 000 001 422 U-Bolt 5/16-18 x 2 1/4 x 4 1/2 |
| 28c | V 070 001 432 Curtain Protection Pad Assembly |
| 29 | V 070 002 050 Hanger Weldment R.H. (Odd) |
| 30 | V 070 002 060 Cushion Assembly R.H. W/ Total Cushion (Odd) |
| 31 | V 070 002 252 Hanger Weldment L.H. (Even) |
| 32 | V 070 002 260 Cushion Assembly L.H. W/Total Cushion (Even) |
| 33 | V 070 005 610 Curtain Hanger |

| Part # | Description |
|--------|--|
| 34 | V 070 006 761 "Smoothie" Cushion Facing |
| 35 | V 070 007 360 Support Bracket Weldment |
| 35a | V 070 011 250 Switch Bracket |
| 36 | V 070 011 288 Curtain Rod |
| 37 | V 203 Cushion Block II Universal Disconnect |
| 37a | V 721 502 005 Bshng-Rubr Monro Shk |
| 38 | V 808 865 320 Flat Head Socket Screw |
| 39 | V 808 865 400 Flat Head Socket Screw |
| 40 | V 809 857 125 Hex Head Cap Screw |
| 41 | V 818 227 202 Round Head Sems Screw |
| 42 | V 839 527 002 Flexloc Nut |
| 43 | V 839 665 002 Flexloc Nut |
| 44 | V 844 057 002 Stover Lock Nut |
| 45 | V 913 431 160 Roll Pin |
| 46 | V 913 437 240 Roll Pin |
| 47 | V 948 975 172 Washer |
| 48 | V 951 164 002 Lock Washer |
| 49 | V 963 600 002 X-Washer |



Carpet Belts

Vantage offers three carpets to meet the demands of all types of bowling:



V 000 026 753-S Supreme Carpet Belt
Our newest design in Carpets taking the attributes of the premium carpet and improving upon them to make it more consistent and longer lasting.

Its unique construction:

- Will not unravel or fray.
- Offers a heavy belt body that tracks perfectly under extreme machine stress.
- Offers excellent resistance to all lane oil brands extending belt life.

Four Year Warranty



V 000 026 753-M Mandrel Carpet Belt
Many mechanics prefer the "old original".

A plied rubber/nylon belt built on steel mandrels and cured to dimension. This one's for them! Heavy, durable construction provides years of trouble free service.

Two Year Warranty

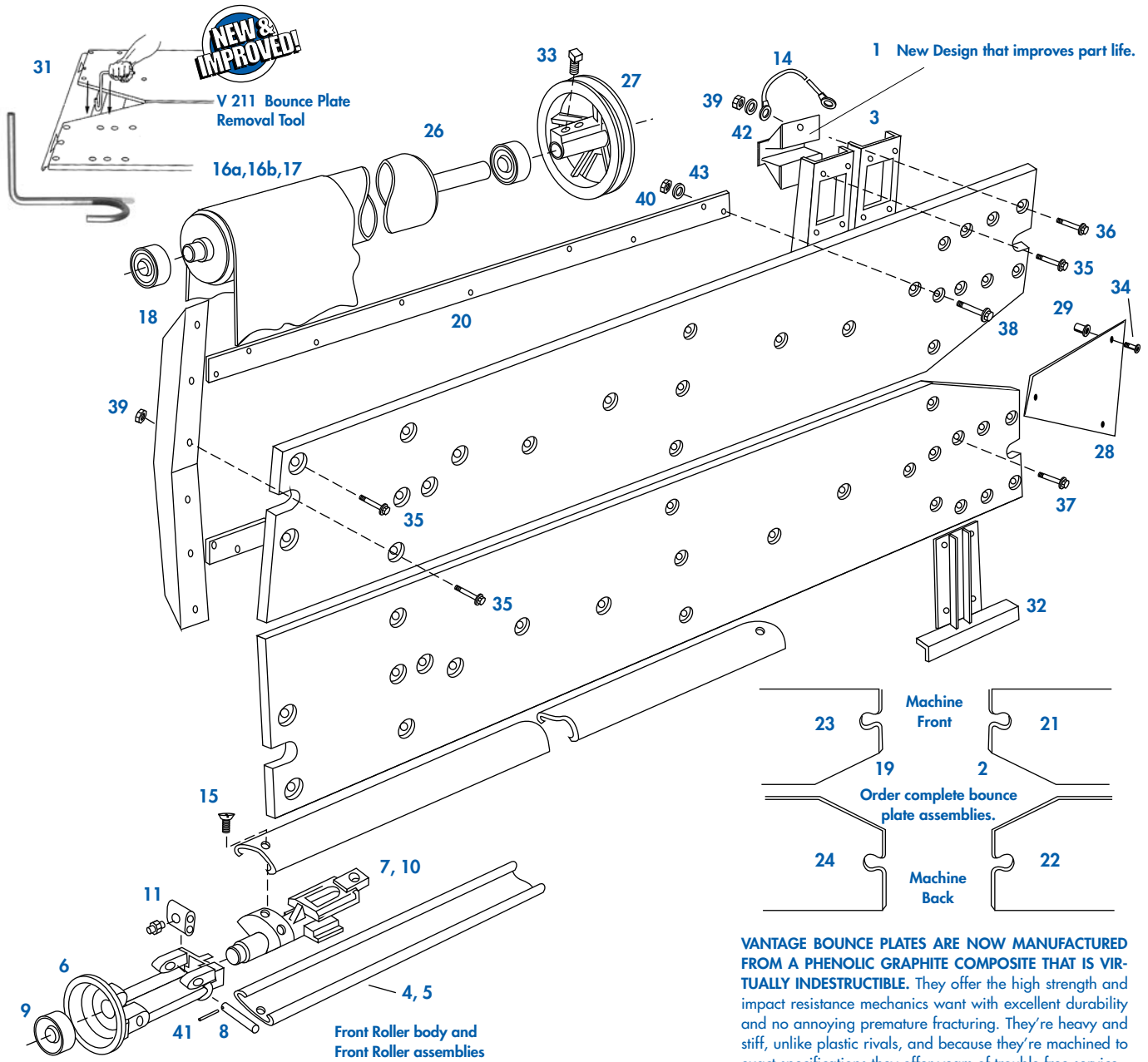


V 000 026 753 Super Soft Carpet Belt
This is the original interwoven carpet belt - why buy a copy when you can OWN the original?

Its durable construction provides long service life and an attractive price. It offers:

- No stretching, its interwoven body takes the pounding and abuse of daily play without stretch.
- The most proven seam of its kind in the industry.
- Special heat - set edges prevent unraveling.
- Total resistance to all types of lane oil.
- Easy cleaning with machine cleaners or carpet belt brushes.

One Year Warranty



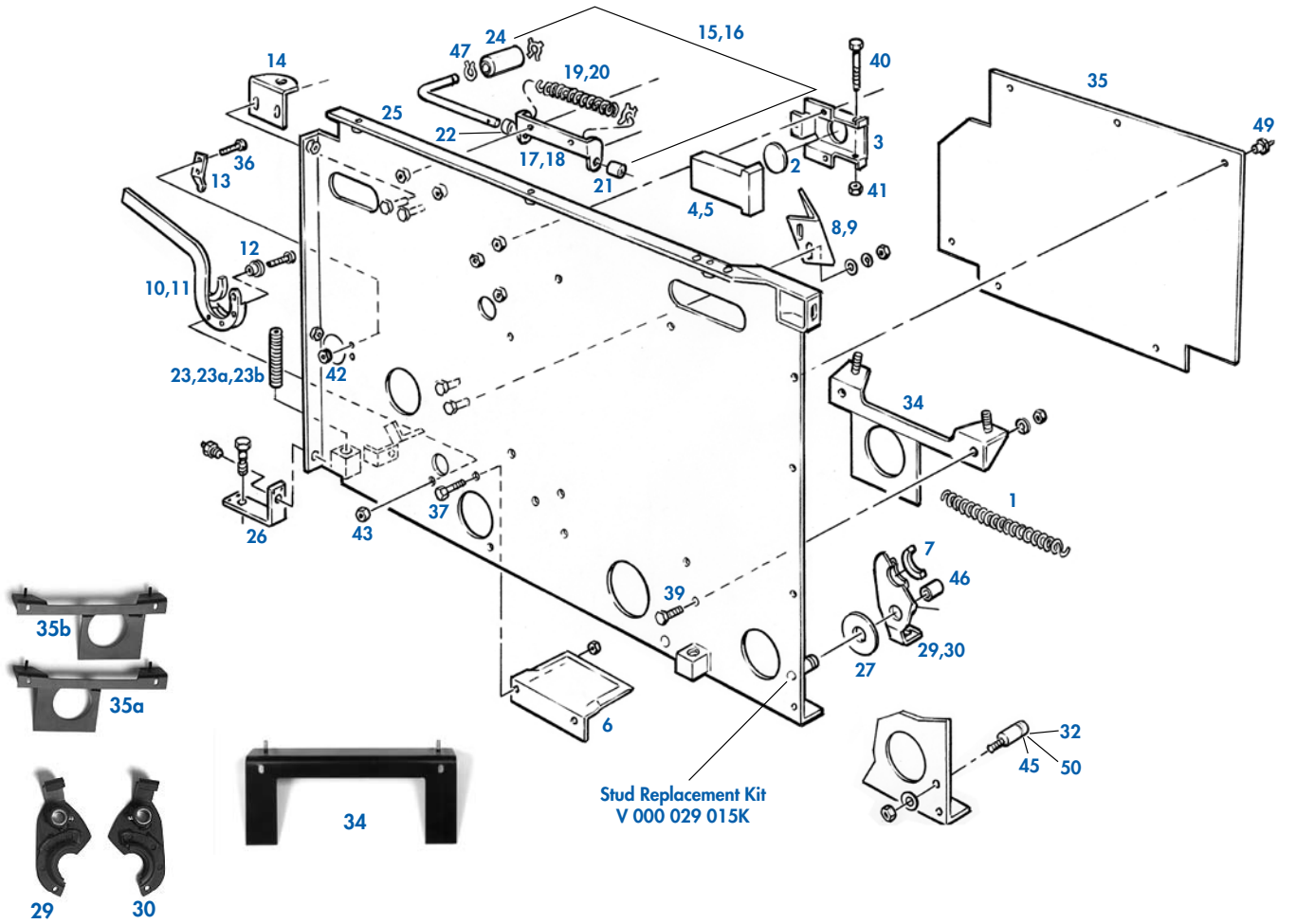
VANTAGE BOUNCE PLATES ARE NOW MANUFACTURED FROM A PHENOLIC GRAPHITE COMPOSITE THAT IS VIRTUALLY INDESTRUCTIBLE. They offer the high strength and impact resistance mechanics want with excellent durability and no annoying premature fracturing. They're heavy and stiff, unlike plastic rivals, and because they're machined to exact specifications they offer years of trouble free service.

| Part # | Description | Part # | Description | Part # | Description |
|--------|---|--------|--|--------|--------------------------------------|
| 1 | V 000 021 224 Vibration Dampener | 16a | V 000 026 753 Super Soft Carpet Belt | 33 | V 806 265 160 Square Head Set Screw |
| 2 | V 000 021 420 Bounce Plate Assy. R.H. (Odd) | 16b | V 000 026 753-M Mandrel Carpet Belt | 34 | V 808 849 160 Flat Head Socket Screw |
| 3 | V 000 021 914 Channel | 17 | V 000 026 753-S Supreme Carpet Belt | 35 | V 809 849 165 Hex Head Cap Screw |
| 4 | V 000 024 576 Front Roller Assembly | 18 | V 000 029 626 Angle Support | 36 | V 809 849 205 Hex Head Cap Screw |
| 5 | V 000 024 578 Roller Body | 19 | V 000 029 656 Bounce Plate Assy. L.H. (Even) | 37 | V 809 849 325 Hex Head Cap Screw |
| 6 | V 000 024 579 Hinge Roller | 20 | V 000 029 898 Reinforcement Bar | 38 | V 809 857 205 Hex Head Cap Screw |
| 7 | V 000 024 580 Shaft-Hinge | 21 | V 000 029 899 Bounce Plate Front R.H. (Odd) | 39 | V 844 049 002 Stover Lock Nut |
| 8 | V 000 024 582 Pin | 22 | V 000 029 924 Bounce Plate Rear R.H. (Odd) | 40 | V 844 057 002 Stover Lock Nut |
| 9 | V 000 024 590 Bearing | 23 | V 000 029 925 Bounce Plate Front L.H. (Even) | 41 | V 913 411 100 Roll Pin |
| 10 | V 000 024 592 Hinge Assembly | 24 | V 000 029 926 Bounce Plate Rear L.H. (Even) | 42 | V 948 753 102 Washer |
| 11 | V 000 024 597 Oilite Bronze Link | 26 | V 070 002 034 Rear Roller Assembly | 43 | V 948 761 112 Washer |
| 14 | V 000 025 622 Bonding Strap | 27 | V 070 002 097 Carpet Pulley | | |
| 15 | V 000 025 662 Nyloc Screw | 28 | V 070 007 846 Filler Plate Kit | | |
| | | 29 | V 070 007 847 Rubber Fastener | | |
| | | 31 | V 211 Bounce Plate Removal Tool | | |
| | | 32 | V 610 704 014 Kit Ball Idling Bracket | | |

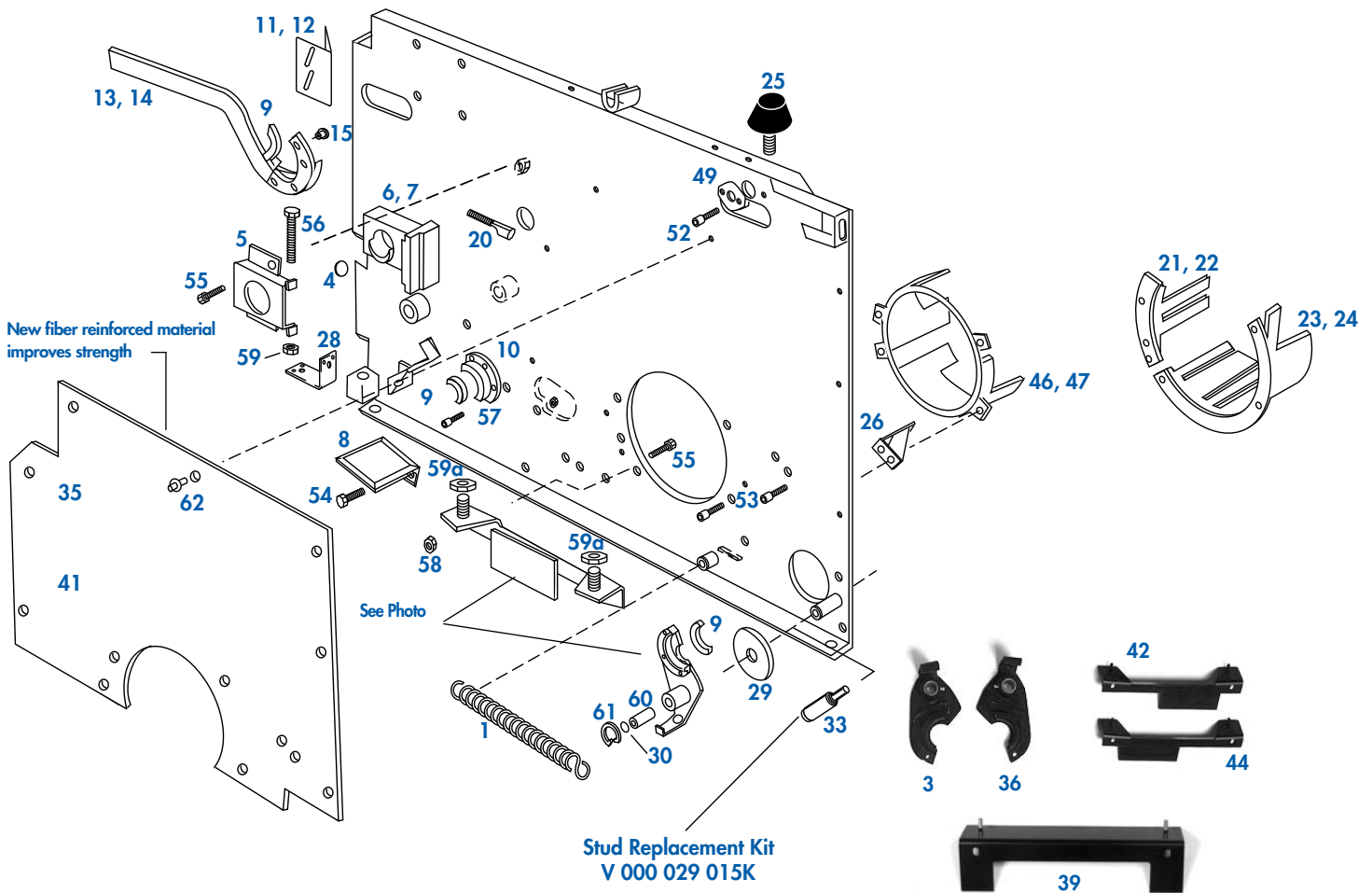
Bold faced parts denote a Vantage value added engineering improvement - contact your distributor for details.



Kickback Assembly



| Part # | Description | Part # | Description | Part # | Description |
|--------|--|--------|---|--------|---|
| 1 | V 000 021 204 Spring | 21 | V 000 024 515 Bearing SL .44 x .56 x 3/4 | 37 | V 809 857 125 Screw-Hex 5/16-18 x 3/4 |
| 2 | V 000 022 300 Shield | 22 | V 000 024 516 Bearing SL .44 x .56 x 3/8 | 38 | V 809 857 165 Screw-Hex 5/16-18 x 1 (Not Shown) |
| 3 | V 000 022 788 Box-Support | 23 | V 000 024 890 Jackscrew | 39 | V 809 865 165 Screw-Hex 3/8-16 x 1 |
| 4 | V 000 022 794 Block Support RH | 23a | V 000 025 207 Jackscrew Lock Short (Not Shown) | 40 | V 809 865 645 Screw-Hex 3/8-16 x 4 |
| 5 | V 000 022 795 Block Support LH | 23b | V 000 025 208 Jackscrew Lock Long (Not Shown) | 41 | V 839 665 002 Nut-Flx 3/8-16 |
| 6 | V 000 022 878 Angle | 24 | V 000 025 803 Roller-Pin Ejec Assembly | 42 | V 844 049 002 1/4-20 Lock Nut |
| 7 | V 000 022 924 Support-Bearing | 25 | V 000 025 804 Shaft-Pin Ejec Assembly | 43 | V 844 057 002 5/16-18 Stover Locknut |
| 8 | V 000 023 431 Clip Bottom RH | 26 | V 000 026 464 Bracket-Back End | 44 | V 844 058 002 5/16 x 24 Stover Locknut (Not Shown) |
| 9 | V 000 023 432 Clip Bottom LH | 27 | V 000 027 641 Bearing TH .752 x 2.75 x .062 | 45 | V 844 074 002 Nut-Stvr-Lk 1/2-20 |
| 10 | V 000 023 464 Support Wldmnt-RH mach LH Side | 28 | V 000 027 642 Washer (Not Shown) | 46 | V 900 112 203 Bearing SL .753 x 1 x 1 1/4 |
| 11 | V 000 023 465 Support Wldmnt-LH mach RH Side | 29 | V 000 027 645 Bearing Supp. L.H. for R.H. Mach | 47 | V 919 005 400 Ring-Ret. 5100-43 |
| 12 | V 000 023 467 Bearing FL .314 x .434 x .310 | 30 | V 000 027 646 Bearing Supp. R.H. for L.H. Mach | 48 | V 919 005 800 Ring-Ret. 5100-75 (Not Shown) |
| 13 | V 000 023 468 Bracket | 31 | V 000 028 334 Pin Ejector Washer (Not Shown) | 49 | V 937 000 000 Rvt-Drve Alum Unv Hd |
| 14 | V 000 023 821 Side Clip Weld | 32 | V 000 029 015 Stud-Pivot | 50 | V 941 072 200 Washer-1/2 x 1 1/2 x .083 |
| 15 | V 000 024 507 Pin Eject Assembly LH | 32a | V 000 029 015KIT Pivot Stud Replacement Kit | 51 | V 948 767 132 Washer 13/32 x 13/16 x 1/16 (Not Shown) |
| 16 | V 000 024 508 Pin Eject Assembly RH | 32b | V 000 029 015W Pivot Stud Washer | 52 | V 951 164 002 Washer-Lk-Split 3/8 (Not Shown) |
| 17 | V 000 024 510 Brkt Assembly-LH | 33 | V 000 029 317 Stop-Pin (Not Shown) | 53 | V 963 600 002 Washer-X 1/4 9000-16 |
| 18 | V 000 024 511 Brkt Assembly-RH | 34 | V 070 001 451 Uni-Pit Support, Common Side | | |
| 19 | V 000 024 512 Spring-LH | 35 | V 070 002 027 Panel | | |
| 20 | V 000 024 513 Spring-RH | 35a | V 070 007 373 Pitt Supp. Brkt. L.H. for R.H. Mach | | |
| | | 35b | V 070 007 375 Pitt Supp. Brkt. R.H. for L.H. Mach | | |
| | | 36 | V 809 849 125 Screw-Hex 1/4-20 x 3/4 | | |



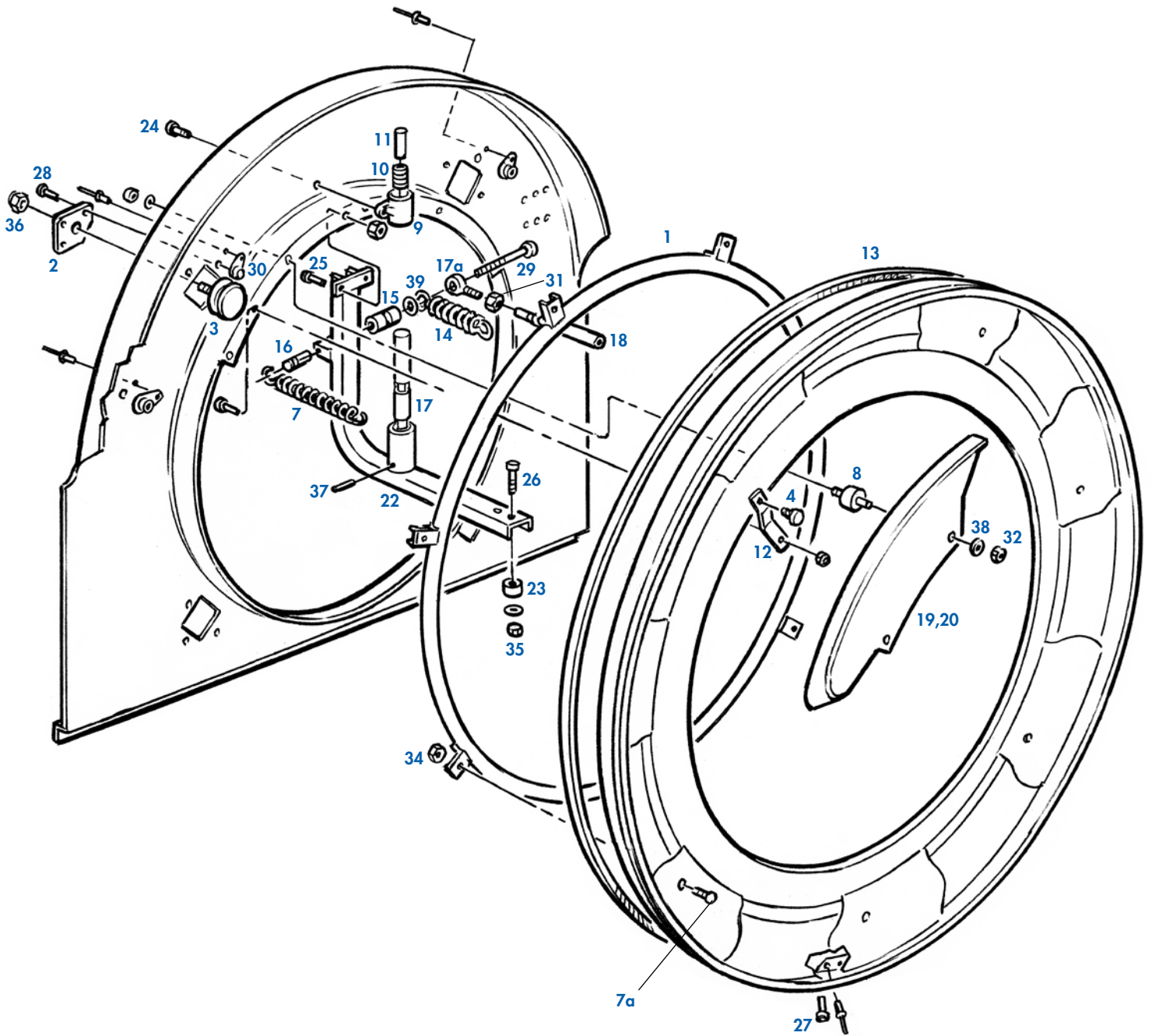
| Part # | Description |
|--------|--|
| 1 | V 000 021 204 Spring |
| 2 | V 000 022 069 Pit Support Bracket |
| 3 | V 000 022 249 Bearing Support Assembly L.H. |
| 4 | V 000 022 300 Shield |
| 5 | V 000 022 788 Box |
| 6 | V 000 022 794 Urethane Cushion Block R.H. |
| 7 | V 000 022 795 Urethane Cushion Block L.H. |
| 8 | V 000 022 878 Angle |
| 9 | V 000 022 924 Bearing Support |
| 10 | V 000 022 926 Bearing Retainer |
| 11 | V 000 023 431 Clip Bottom R.H. (Even) |
| 12 | V 000 023 432 Clip Bottom L.H. (Odd) |
| 13 | V 000 023 464 Support Weldment L.H. (Odd) |
| 14 | V 000 023 465 Support Weldment R.H. (Even) |
| 15 | V 000 023 467 Flange Bushing |
| 16 | V 000 024 507 Pin Ejector Assembly L.H. (Even) |
| 17 | V 000 024 508 Pin Ejector Assembly R.H. (Odd) |
| 18 | V 000 024 512 Spring L.H. (Even) |
| 19 | V 000 024 513 Spring R.H. (Odd) |

| Part # | Description |
|--------|---|
| 20 | V 000 024 610 Clamp Stud |
| 21 | V 000 024 623 Rear Segment L.H. (Even) |
| 22 | V 000 024 624 Rear Segment R.H. (Odd) |
| 23 | V 000 024 625 Front Segment R.H. (Odd) |
| 24 | V 000 024 626 Front Segment L.H. (Even) |
| 25 | V 000 024 641 Stop Bumper |
| 26 | V 000 024 668 Track Support Bracket Weldment |
| 27 | V 000 025 803 Pin Ejector Roller Assembly |
| 28 | V 000 026 464 Bracket |
| 29 | V 000 027 641 Thrust Washer |
| 30 | V 000 027 642 Washer |
| 33 | V 000 029 015 Pivot Stud |
| 33a | V 000 029 015KIT Pivot Stud Replacement Kit |
| 33b | V 000 029 015WPivot Stud Washer |
| 35 | V 000 029 640 Kickback Panel for 82-30 or 82-70 |
| 36 | V 000 029 672 Bearing Support Assembly R.H. |
| 39 | V 070 001 450 Uni-Pit Support, Ball Return Side |
| 41 | V 070 002 027 Kickback Panel Common (70) |
| 41a | V 070 004 642 Bracket Stop |

| Part # | Description |
|--------|--|
| 42 | V 070 007 372 Pit Supp. Brkt. R.H. for R.H. Mach. |
| 44 | V 070 007 374 Pitt Supp. Brkt. L.H. for L.H. Mach. |
| 46 | V 070 011 005 Door Weldment L.H. (Even) |
| 47 | V 070 011 006 Door Weldment R.H. (Odd) |
| 48 | V 070 011 035 Strap (Not Shown) |
| 49 | V 070 011 286 Curtain Rod Bushing |
| 52 | V 808 549 160 Button Head Socket Screw |
| 53 | V 808 857 120 Flat Head Socket Screw |
| 54 | V 809 857 125 Hex Head Cap Screw |
| 55 | V 809 865 205 Hex Head Cap Screw |
| 56 | V 809 865 645 Hex Head Cap Screw |
| 57 | V 810 258 100 Socket Head Cap Screw |
| 58 | V 839 665 002 Flexloc Nut |
| 59 | V 840 065 002 Thin Flexloc Nut |
| 59a | V 844 058 002 Stover Lock Nut |
| 60 | V 900 112 203 Sleeve Bushing |
| 61 | V 919 005 800 Retaining Ring |
| 62 | V 937 000 000 Drive Rivet |

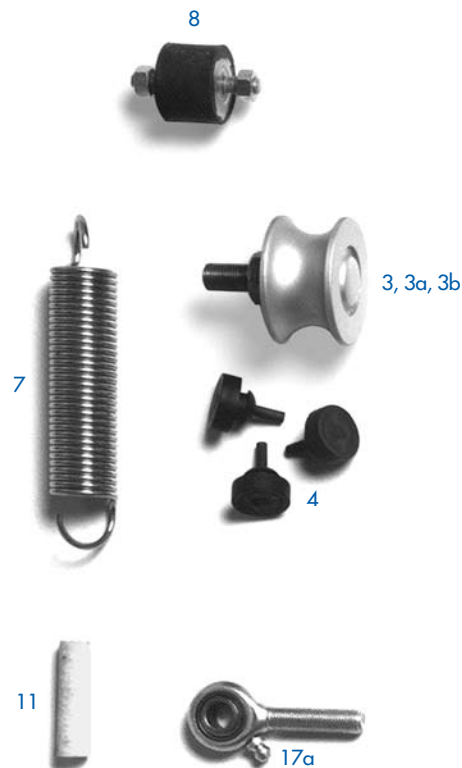
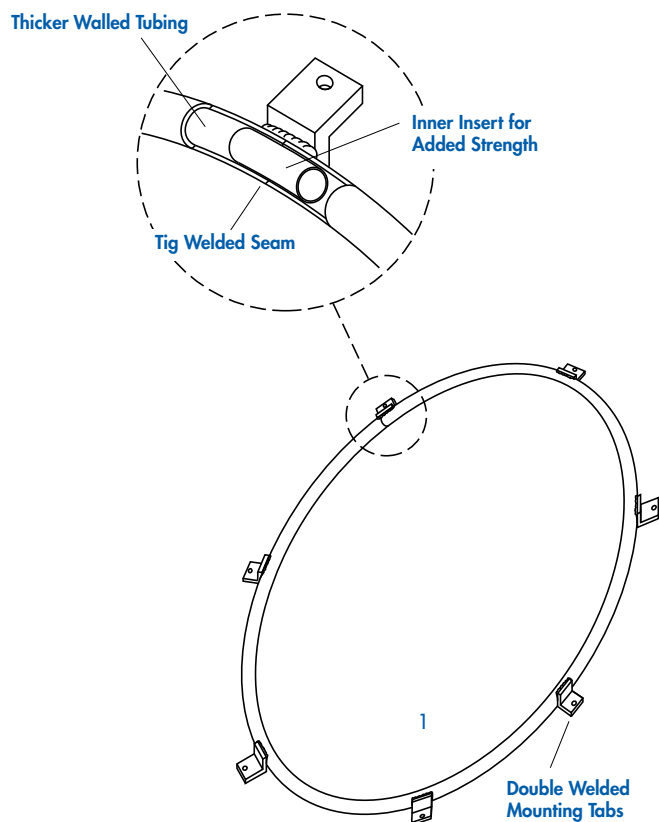


Pin Elevator & Pit Supports





Reinforced Joint Construction



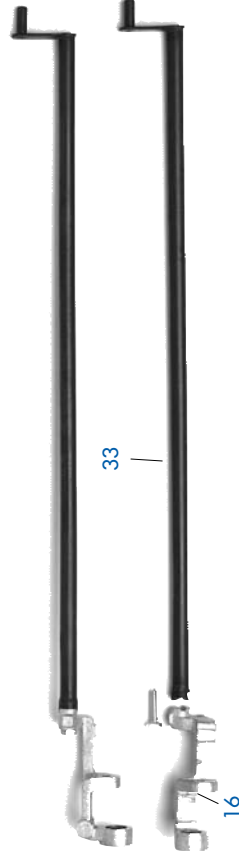
| Part # | Description | Part # | Description | Part # | Description |
|--------|--|--------|---|--------|---|
| 1 | V 000 020 855 Ring Weldment | 13 | V 070 002 005 Belt-Drive Pin Elev | 27 | V 809 858 085 Screw-Hex 5/16-24 x 1/2 |
| 2 | V 000 021 210 Plate-Roller | 14 | V 070 006 030 Spring-Safety Link | 28 | V 809 858 125 Screw-Hex 5/16-24 x 3/4 |
| 3 | V 000 021 211 Roller (Steel) | 15 | V 070 006 043 Spacer-Clamp | 29 | V 809 865 725 Screw-Hex 3/8-16 x 4 1/2 |
| 3a | V 000 021 211B Bearing | 16 | V 070 006 044 Nut-Spring Post | 30 | V 830 358 002 Nut-AN 5/16-24 CD |
| 3b | V 000 021 211-S Roller (Nylon) | 17 | V 070 006 045 Post-Dist.Supt.Assembly | 31 | V 831 566 002 Nut-Hex 3/8-24 |
| 4 | V 000 021 992 Bumper-Grommet #2250 | 17a | V 070 006 046 Rod End Distributor Support | 32 | V 834 557 002 Nut Hex 5/16-18 |
| 5 | V 000 022 219 Pin Elev Guard Assembly (Not Shown) | 18 | V 070 006 047 Tube-Safety Link | 33 | V 843 139 002 Nut-Kep 10-24 (Not Shown) |
| 6 | V 000 022 222 Brkt-Mtg-Pin Elv Grd (Not Shown) | 19 | V 070 006 098 Rail-RH Mach.Bk.End | 34 | V 844 049 002 1/4-20 Lock Nut |
| 7 | V 000 026 032 Spring | 20 | V 070 006 099 Rail-LH Mach.Bk.End | 35 | V 844 057 002 5/16-18 Stover Locknut |
| 7a | V 000 027 014 Bolt 1/4-20 x 3/4 Carraige H | 21 | V 070 006 143 Spacer (Not Shown) | 36 | V 844 074 002 Nut-Stvr-Lk 1/2-20 |
| 8 | V 000 029 068 Rubber Mount | 22 | V 070 007 357 Chanel Supt Weld | 37 | V 913 437 280 Pin-Spring .187 x 1 3/4 |
| 9 | V 000 029 201 Oiler Body | 23 | V 070 008 449 Spacer-Dist. Support | 38 | V 948 761 112 5/16 Wrought Washer |
| 10 | V 000 029 202 Spring Wick | 24 | V 809 849 125 Screw-Hex 1/4-20 x 3/4 | 39 | V 948 767 132 Washer, 13/32 x 13/16 x 1/16 |
| 11 | V 000 029 203 Wick Pin | 25 | V 809 857 165 Screw-Hex 5/16-18 x 1 | | |
| 12 | V 070 001 415 Bracket-Wheel | 26 | V 809 857 405 Screw-Hex 5/16-18 x 2 1/2 | | |

Bold faced parts denote a Vantage value added engineering improvement - contact your distributor for details.

Original Style Trip Support System Still the Best!

52

If roll pin failure on trip stop rods is causing you pin jams, try the original style. Special "keyed" design locks the trip support casting and rod together.



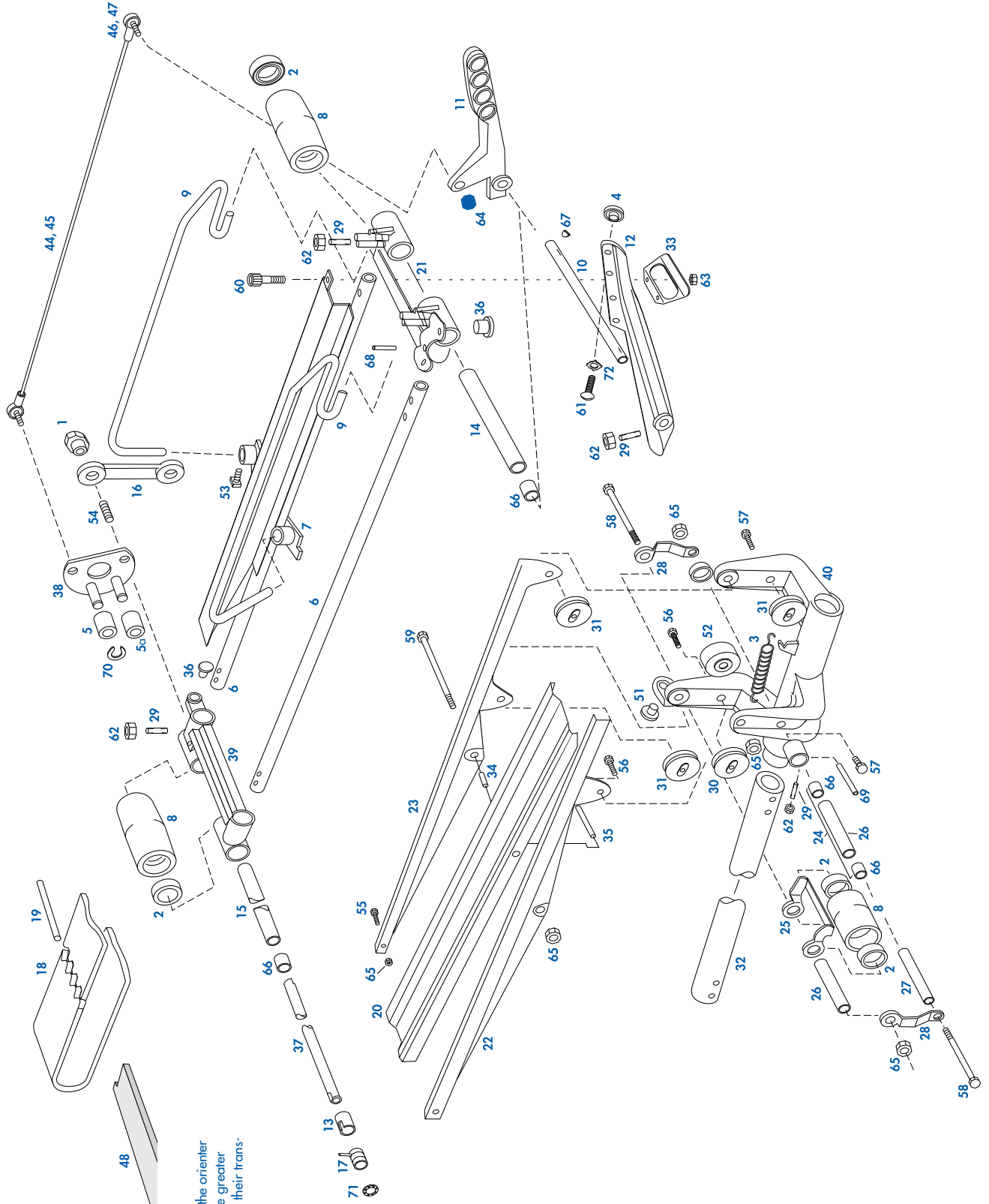
V 610 704 005-6
82-70 Pin Distributor
Tune Up Kit (64),
improves
distributor indexing!



| Part # | Description | Part # | Description | Part # | Description |
|-----------|--|-----------|---|------------|--|
| 1 | V 000 022 173 Special Nut | 25 | V 070 006 073 Thrust Washer | 49 | V 070 006 666 Pulley |
| 2 | V 000 022 369 Shaft L.H. (Even) Machine | 26 | V 070 006 074 Needle Thrust Bearing | 50 | V 070 006 667 Trip Support Casting |
| 3 | V 000 022 717 Pin | 27 | V 070 006 075 Needle Bearing Closed End | 51 | V 070 006 668 Trip Stop Rod & Support Casting Assy. |
| 4 | V 000 024 679 Bearing | 28 | V 070 006 076 Open End Bearing | 52 | V 070 006 668-OS Original Style Trip Stop Rod & Support Assy. |
| 5 | V 000 024 892 Ball Bearing Retainer | 29 | V 070 006 077 Shaft Drive Distributor | 53 | V 070 006 676 Pinion Sleeve |
| 6 | V 000 024 893 Dist. Drive Shaft Assembly L.H. (Even) | 30 | V 070 006 082 Pin Spring Post | 53a | V 070 006 676S Pinion Sleeve For Super Clutch |
| 7 | V 000 026 081 Spring Post Sleeve | 31 | V 070 006 084 Trip Stop Support Bracket | 54 | V 070 006 679 Bushing Pinion |
| 8 | V 000 026 461 Ball Bearing | 32 | V 070 006 087 Pivot 31/32 Long | 55 | V 070 006 685 Pivot 19/32 Long |
| 9 | V 000 026 865 Washer | 33 | V 070 006 091 Original Style Trip Stop Rod | 55a | V 070 006 686 Pinion Assembly |
| 10 | V 000 027 390 Housing Weldment | 34 | V 070 006 101 Shaft R.H. (Odd) Machine | 56 | V 070 006 691 Stop Blade |
| 11 | V 000 029 073 Washer | 35 | V 070 006 102 Dist. Drive Shaft Assembly R.H. (Odd) | 57 | V 070 007 119 Drive Arm Assembly |
| 12 | V 070 006 034 Spring | 36 | V 070 006 111 Spring Post Sleeve | 57a | V 070 007 137 Rod Link Assembly |
| 14 | V 070 006 049 Shaft Arm | 37 | V 070 006 121 Washer | 58 | V 070 007 376 Thrust Washer |
| 15 | V 070 006 051 Arm | 38 | V 070 006 124 Nut Special | 59 | V 070 007 586 Distributor Universal Joint |
| 16 | V 070 006 060 Original Style Trip Support | 39 | V 070 006 125 Distributor Worm Gear | 60 | V 070 007 651 Nylon Washer |
| 17 | V 070 006 061 Shaft Cam Support | 40 | V 070 006 126 Friction Disc | 61 | V 610 704 004 The Super Clutch |
| 18 | V 070 006 064 Spacer Bearing | 41 | V 070 006 128 Spring Assembly | 62 | V 610 704 004-NS Super Clutch without Shaft |
| 19 | V 070 006 065 Clamp Race | 42 | V 070 006 130 Clutch Plate Drive | 63 | V 610 704 005 Pinion & Sleeve |
| 20 | V 070 006 066 Rod End Female | 43 | V 070 006 136 Main Casting and Bearing Assy | 64 | V 610 704 005-6 82-70 Pin Distributor Tune Up Kit |
| 21 | V 070 006 067 Rod Safety Link Distributor | 44 | V 070 006 142 Bumper | 65 | V 610 704 006 Clutch Plate |
| 22 | V 070 006 068 Support Spring Distributor | 45 | V 070 006 143 Spacer | 66 | V 807 358 060 Socket Head Set Screw |
| 23 | V 070 006 069 Nut Special | 46 | V 070 006 144 Orientor Pan Assembly | 67 | V 809 849 100 Flat Head Cap Screw |
| 24 | V 070 006 071 Cam Follower | 47 | V 070 006 149 Distributor Indexing Cam | 68 | V 809 849 125 Hex Head Cap Screw |
| | | 48 | V 070 006 663 Trip Stop Rod | | |
| | | | | 69 | V 809 849 205 Hex Head Cap Screw |
| | | | | 70 | V 809 857 080 Hex Head Cap Screw |
| | | | | 71 | V 810 239 240 Socket Head Cap Screw |
| | | | | 72 | V 831 566 002 Hex Nut |
| | | | | 73 | V 840 039 002 Flexloc Nut |
| | | | | 74 | V 844 049 002 Stover Lock Nut |
| | | | | 75 | V 844 050 002 Stover Lock Nut |
| | | | | 76 | V 844 073 002 Stover Lock Nut |
| | | | | 77 | V 913 415 090 Roll Pin |
| | | | | 78 | V 913 423 120 Roll Pin |
| | | | | 79 | V 913 437 120 Roll Pin |
| | | | | 80 | V 913 437 140 Roll Pin |
| | | | | 81 | V 914 037 206 Roll Pin |
| | | | | 82 | V 919 000 600 Retaining Ring |
| | | | | 83 | V 919 004 200 Retaining Ring |
| | | | | 84 | V 919 005 300 Retaining Ring |
| | | | | 85 | V 919 005 600 Retaining Ring |
| | | | | 86 | V 948 745 082 Washer |
| | | | | 87 | V 948 753 102 Washer |
| | | | | 88 | V 948 761 112 Washer |
| | | | | 89 | V 948 975 172 Washer |

Bold faced parts denote a Vantage value added engineering improvement - contact your distributor for details.

Buy a New Carriage Assembly pre-assembled order Part # V 610 704 030



V 205

Belt Riser (48)

The belt riser fits at the base of the orienter pan and "lifts" the belt to make greater contact with pins and improve their transfer down the distributor.

| Part # | Description | Part # | Description |
|--------|--|--------|---|
| 1 | V 000 022 173 Special Nut | 37 | V 070 006 659 Shaft |
| 2 | V 000 024 679 Bearing | 38 | V 070 006 661 Trip Rocker Arm Weldment |
| 3 | V 000 026 031 Spring | 39 | V 070 006 672 Rear Carriage |
| 4 | V 000 026 251 Bearing | 39a | V 070 006 683 Tube Assembly Middle - 7 / 64" |
| 5 | V 070 001 857 Roller | 40 | V 070 006 688 Carriage Support Casting Assy |
| 5a | V 070 001 857L Special Dist. Roller | 41 | V 070 006 757-U Ultra High Grip Dist. Belt |
| 6 | V 070 006 004 Tube | 42 | V 070 006 757-C Standard Dist. Belt |
| 7 | V 070 006 009 Belt Runner Support Assembly | 43 | V 070 006 757-R Rough Top Dist. Belt |
| 8 | V 070 006 011 Pulley Assembly | 44 | V 070 011 170 Trip Rod Assembly |
| 9 | V 070 006 013 Pin Guide | 45 | V 070 011 170-C Trip Cable Assembly |
| 10 | V 070 006 014 Shaft | 46 | V 070 011 172 Ball Joint 7 / 16" |
| 11 | V 070 006 015 Trip Arm Assembly R.H. (10 pin) | 47 | V 070 011 173 Ball Joint 9 / 16" |
| 12 | V 070 006 016 Trip Arm Assembly L.H. (7 pin) | 48 | V 205 Belt Riser |
| 13 | V 070 006 019 Collar | 51 | V 701 710 098 Spyralign Bearing |
| 14 | V 070 006 021 Tube Assembly Front | 52 | V 701 849 124 Threaded Bore Concentric Bearing |
| 15 | V 070 006 022 Tube Assembly Middle - 7 1/2" | 53 | V 806 249 060 Square Head Set Screw |
| 16 | V 070 006 029 Connecting Link | 54 | V 807 249 160 Socket Head Set Screw |
| 17 | V 070 006 035 Spring | 55 | V 808 549 200 Button Head Socket Screw |
| 18 | V 070 006 036 Belt Lacing | 56 | V 809 849 125 Hex Head Cap Screw |
| 19 | V 070 006 037 Belt Pin | 57 | V 809 849 162 Hex Head Cap Screw |
| 20 | V 070 006 042 Belt Runner Rear | 58 | V 809 849 604 Hex Head Cap Screw |
| 21 | V 070 006 055 Front Carriage | 59 | V 809 849 885 Hex Head Cap Screw |
| 22 | V 070 006 103 Support Guide L.H. (7 pin) | 60 | V 810 239 160 Socket Head Cap Screw |
| 23 | V 070 006 104 Support Guide R.H. (10 pin) | 61 | V 813 540 082 Phillips Head Truss Screw |
| 24 | V 070 006 105 Tube Assembly | 62 | V 834 549 002 Hex Nut |
| 25 | V 070 006 106 Tracking Bracket | 63 | V 840 039 002 Flexloc Nut |
| 26 | V 070 006 107 Tube-Belt Tightener | 64 | V 840 040 002 Flexloc Nut |
| 27 | V 070 006 108 Spacer-Roller Assembly | 65 | V 844 049 002 Stover Lock Nut |
| 28 | V 070 006 109 Link | 66 | V 900 106 081 Sleeve Bushing |
| 29 | V 070 006 116 Clamp Stud | 67 | V 907 000 100 Key |
| 30 | V 070 006 117 Concentric Bearing | 68 | V 913 437 140 Roll Pin |
| 31 | V 070 006 118 Eccentric Bearing | 69 | V 913 464 280 Roll Pin |
| 32 | V 070 006 120 Carriage Support Tube | 70 | V 919 005 000 Retaining Ring |
| 33 | V 070 006 137 Belt Guard | 71 | V 919 006 800 Retaining Ring |
| 34 | V 070 006 139 Inner Spacer | 72 | V 957 100 002 Star Washer |
| 35 | V 070 006 140 Outer Spacer | | |
| 36 | V 070 006 142 Bumper | | |

Bold faced parts denote a Vantage value added engineering improvement - contact your distributor for details.

Distributor Belts

V 070 006 757-U Ultra High Grip Dist. Belt (41)
High grip design offers a "sticky" surface that grabs and moves pins NOW!

V 070 006 757-C Standard Dist. Belt (42)
Standard, durable construction. Lower cost. Each comes packed in roll form with clippers and pins.

V 070 006 757-R Rough Top Dist. Belt (43)
Rough top design features an aggressive tread (shown) for a high friction surface.

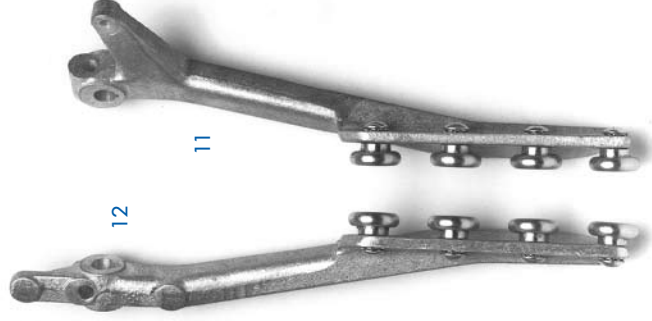
Update your distributors with the new cable system!



V 070 011 170 Trip Rod Assembly (44)

The Vantage trip rod assembly employs the use of a rod that has been threaded with right hand threads on one end and left hand threads on the opposite end. This feature enables mechanics to adjust the trip rod while it is on the machine simply by loosening the jam nuts and turning the rod. When the adjustment is completed, the jam nuts are retightened.

44, 45



12

11

31

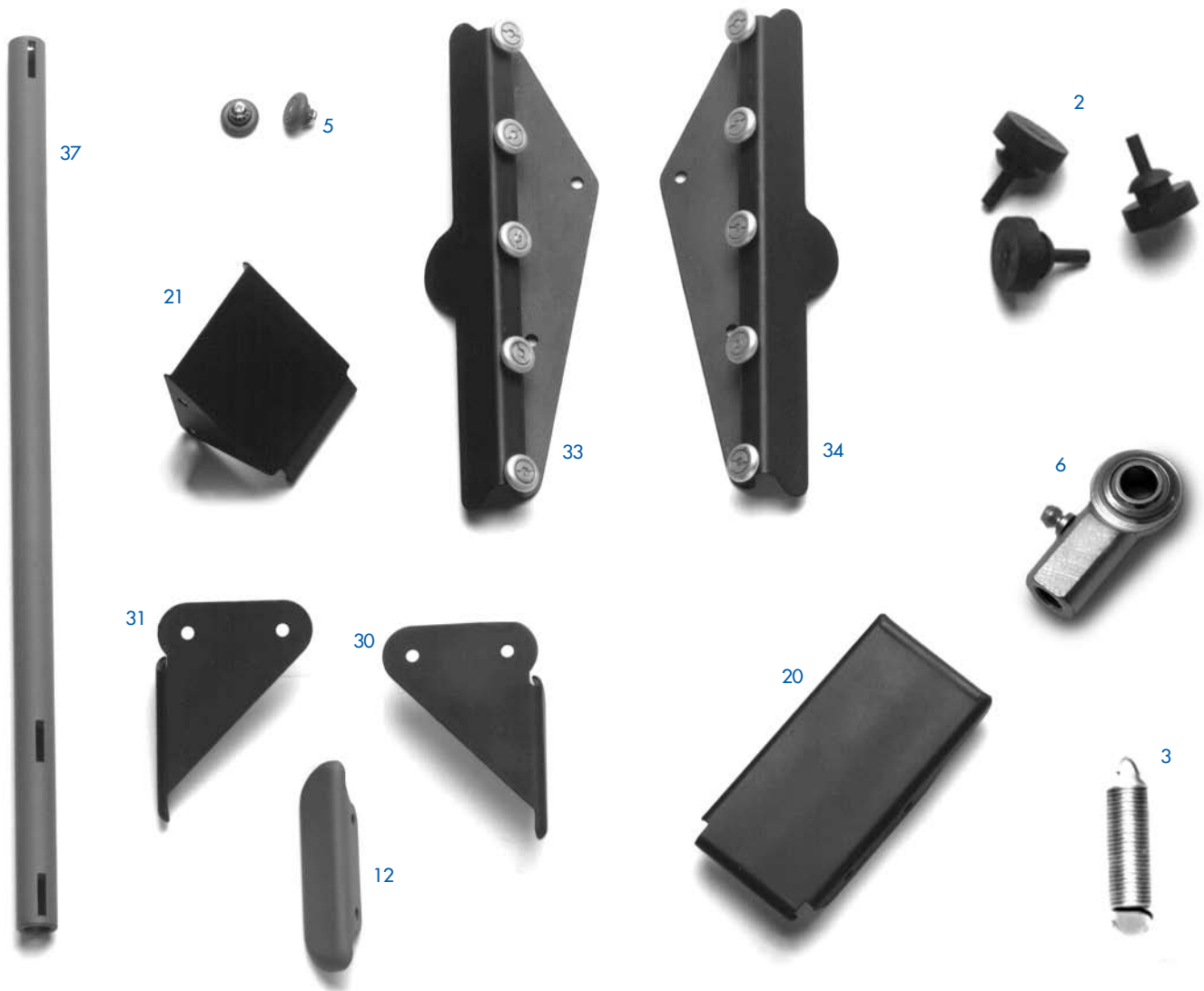
30

8





Vantage Offers All Components Required for Bin Assembly Maintenance



| Part # | Description |
|--------|-------------|
|--------|-------------|

| | |
|----------|--------------------------------|
| 1 | V 000 021 575 Insulator |
| 2 | V 000 021 992 Bumper |
| 3 | V 000 022 168 Spring |
| 4 | V 000 026 043 Switch |
| 5 | V 000 026 251 Bearing |
| 6 | V 000 026 446 Rod End |
| 7 | V 000 029 614 Uniball |
| 8 | V 070 006 108 Spacer |
| 9 | V 070 006 142 Bumper |
| 10 | V 070 006 272 Bin Switch Cable |
| 11 | V 070 006 351 Rod |
| 12 | V 070 006 353 Pin Guide |

| Part # | Description |
|--------|-------------|
|--------|-------------|

| | |
|-----------|---|
| 13 | V 070 006 354 Shock Mount Bin Assembly |
| 15 | V 070 006 356 Switch Actuator |
| 16 | V 070 006 358 Bracket Assembly |
| 17 | V 070 006 359 Pin Head Bracket |
| 18 | V 070 006 361 Channel Weldment |
| 19 | V 070 006 363 Channel Short |
| 20 | V 070 006 364 Spacer Pin Butt Guide |
| 21 | V 070 006 365 Spacer Pin Guide |
| 22 | V 070 006 366 Spacer Pin Head Guide |
| 23 | V 070 006 369 Pin Guide R.H. (10 pin) |
| 24 | V 070 006 370 Pin Guide L.H. (7 pin) |
| 25 | V 070 006 371 Bracket Support |

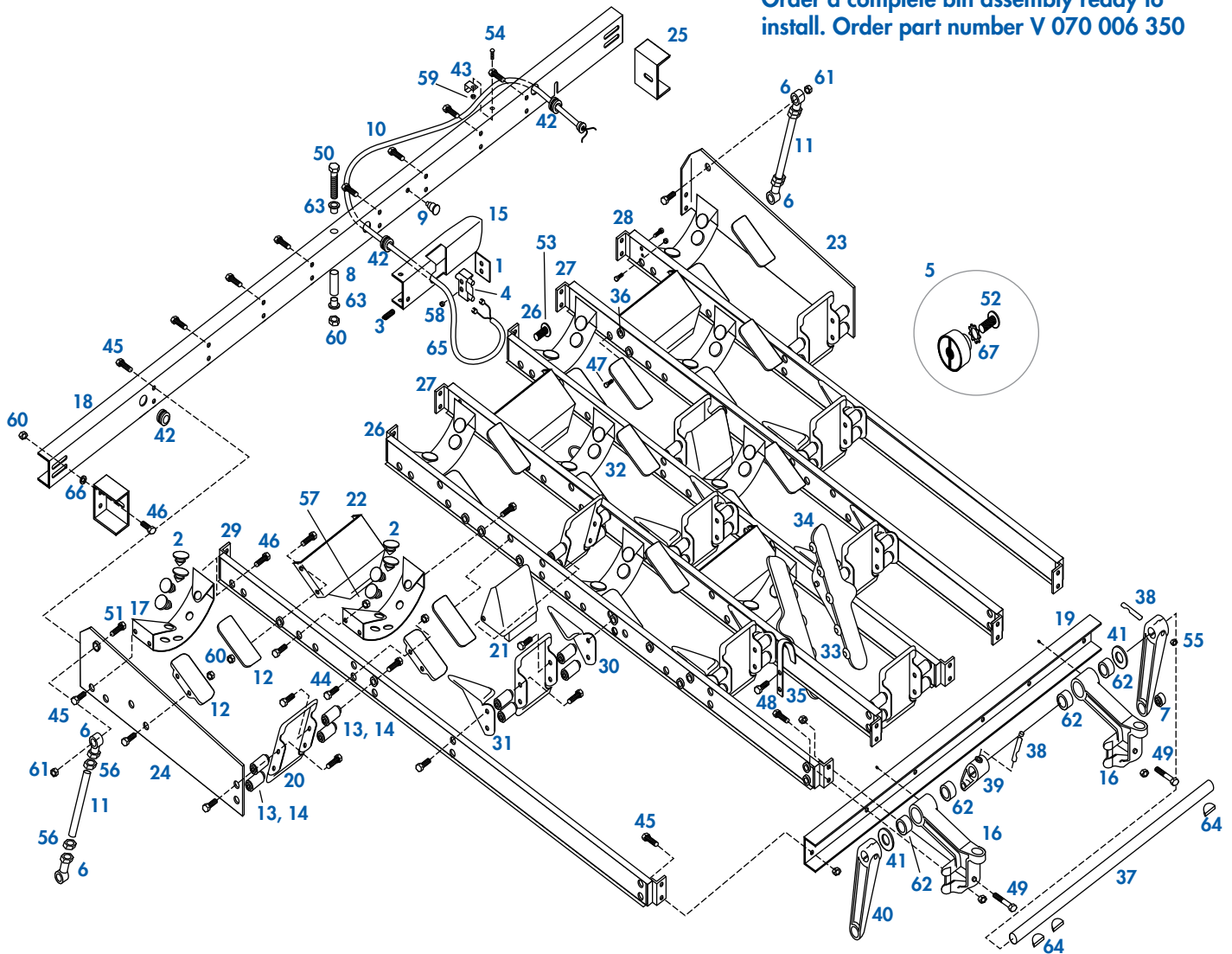
| Part # | Description |
|--------|-------------|
|--------|-------------|

| | |
|----|--|
| 26 | V 070 006 372 Stringer Center R.H. & L.H. |
| 27 | V 070 006 373 Stringer Center L.H. & R.H. |
| 28 | V 070 006 376 Stringer Outside R.H. (10 pin) |
| 29 | V 070 006 377 Stringer Outside L.H. (7 pin) |
| 30 | V 070 006 380 Pin Guide #4 Pin |
| 31 | V 070 006 381 Pin Guide #6 Pin |
| 32 | V 070 006 384 Bracket Weldment |
| 33 | V 070 006 386 Track Assembly L.H. (7 pin) |
| 34 | V 070 006 388 Track Assembly R.H. (10 pin) |
| 35 | V 070 006 389 Guide Pin #1 |
| 36 | V 070 006 390 Spacer |

Bold faced parts denote a Vantage value added engineering improvement - contact your distributor for details.



Order a complete bin assembly ready to install. Order part number V 070 006 350



| Part # | Description | Part # | Description | Part # | Description |
|--------|--|--------|---|--------|----------------------------------|
| 37 | V 070 006 402 Shaft | 48 | V 809 849 285 Hex Head Cap Screw | 60 | V 844 049 002 Stover Lock Nut |
| 38 | V 070 006 403 Stud Clamp | 49 | V 809 849 485 Hex Head Cap Screw | 61 | V 844 065 002 Hex Lock Nut |
| 39 | V 070 006 408 Lever Bin Assembly | 50 | V 809 849 605 Hex Head Cap Screw | 62 | V 900 114 101 Sleeve Bushing |
| 40 | V 070 006 429 Shuttle Operating Arm Assembly | 51 | V 809 865 165 Hex Head Cap Screw | 63 | V 900 206 091 Flange Bushing |
| 41 | V 701 329 050 Washer Thrust Oilite | 52 | V 813 540 082 Phillips Head Truss Screw | 64 | V 907 000 600 Hi Pro Key |
| 42 | V 711 516 020 Grommet | 53 | V 818 227 162 Round Head Sems Screw | 65 | V 948 631 062 Washer |
| 43 | V 744 203 014 Nyloclip | 54 | V 818 233 082 Round Head Sems Screw | 66 | V 948 753 102 Washer |
| 44 | V 808 549 080 Button Head Socket Screw | 55 | V 831 565 002 Hex Nut | 67 | V 957 100 002 Shake Proof Washer |
| 45 | V 809 849 085 Hex Head Cap Screw | 56 | V 835 566 002 Hex Jam Nut | | |
| 46 | V 809 849 125 Hex Head Cap Screw | 57 | V 840 049 002 Flexloc Nut | | |
| 47 | V 809 849 165 Hex Head Cap Screw | 58 | V 843 127 002 Keps Nut | | |
| | | 59 | V 843 133 002 Keps Nut | | |



V 070 006 254 (3)
Tube, Side (Short)

4,5,6



V 070 006 255 (4)
Tube, Side (Long)

V 070 006 256 (5)
Tube, Outside

V 070 006 257 (6)
Tube, Center

7



V 070 006 258 (7)
Tube, Cross (Short)



V 070 006 251 (9)
Clamp End



V 070 006 447 (13)
Spring

13

V 208

Twin Pin Guide (14)

The twin pin guide is designed to replace two pin holders and a bin strap with one piece of high density plastic. It reduces costs, smooths out shuttle operation and helps reduce "double shutting".

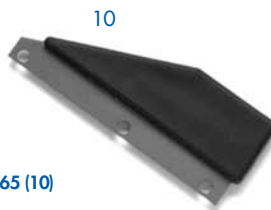


14



8

V 070 006 259 (8)
Bracket Arm



10

V 070 006 265 (10)
Pin Holder

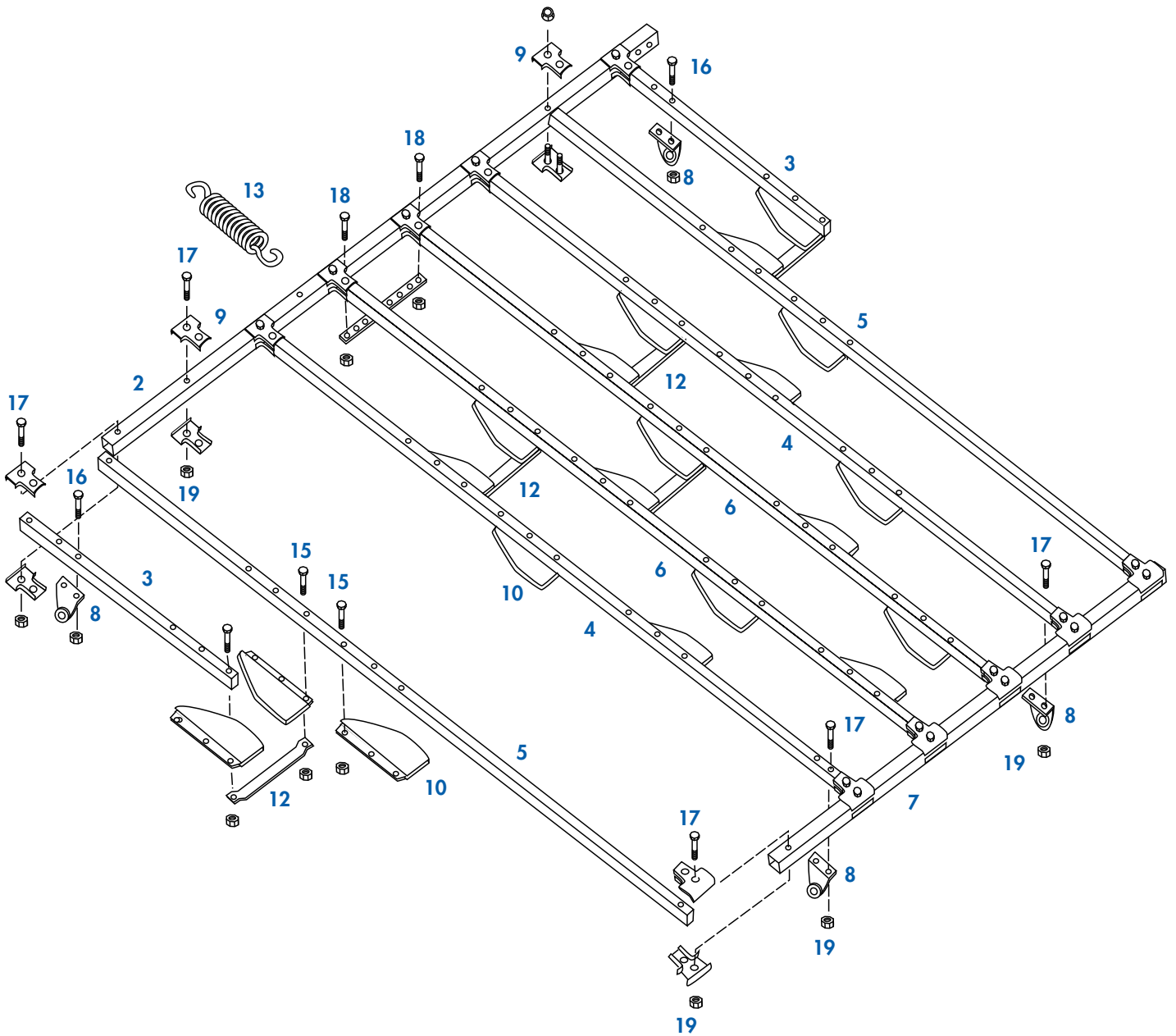
Made with a tough steel insert and covered with hard oil resistant rubber this pin holder will wear and last longer than all plastic O.E.M. replacements.

V 070 006 268 (12)
Bin Strap

Bin strap breakage? Try our heavy duty model. Thousands of satisfied users tell us it is the best they've ever used!



12



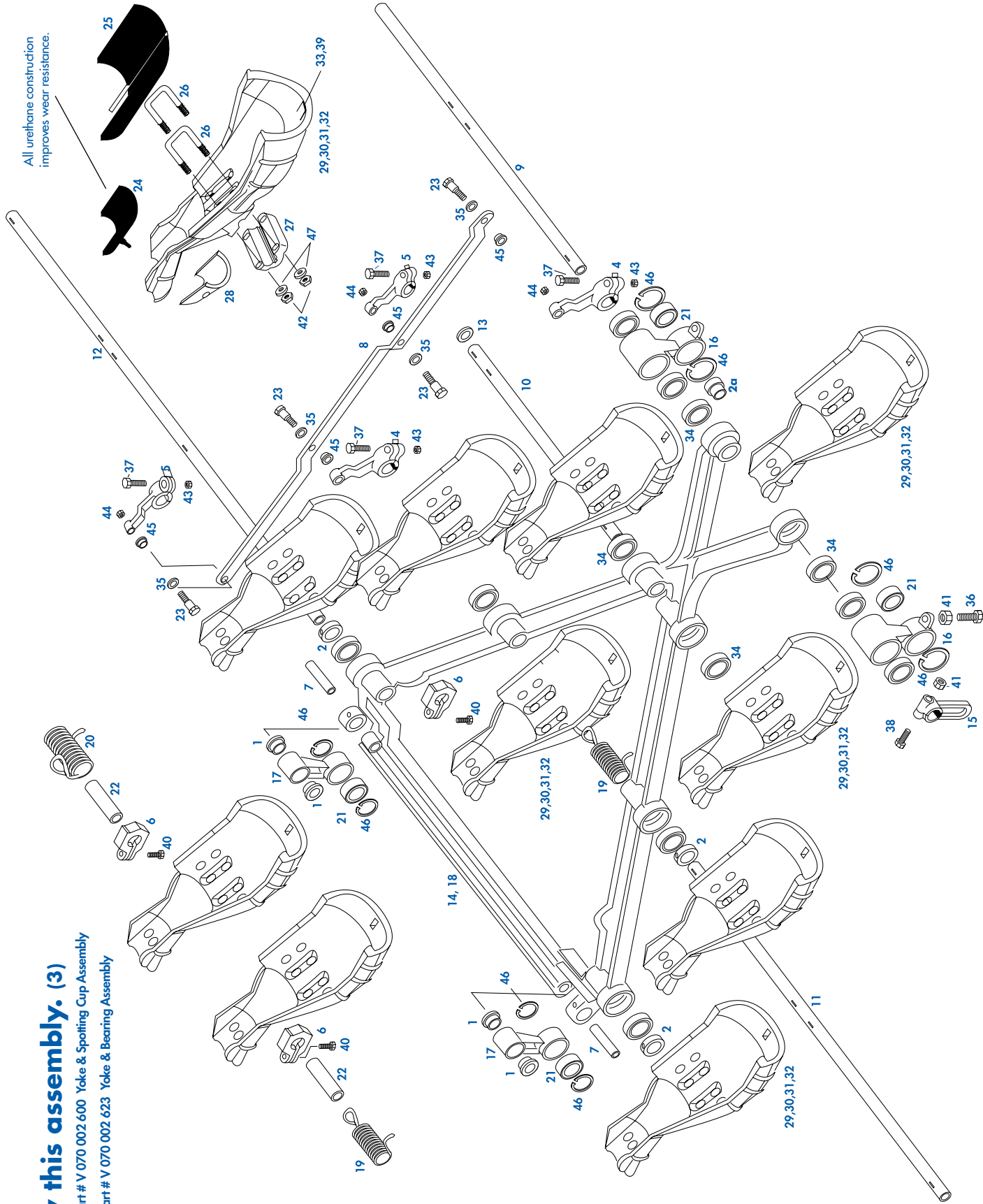
| Part # | Description | Part # | Description | Part # | Description |
|--------|---|--------|---------------------------------|--------|--|
| 1 | V 070 006 250 Shuttle Assembly | 8 | V 070 006 259 Bracket Arm | 15 | V 808 549 240 Button Head Socket Screw |
| 2 | V 070 006 253 Shuttle Cross Tube (Long) | 9 | V 070 006 261 Clamp End | 16 | V 808 549 320 Button Head Socket Screw |
| 3 | V 070 006 254 Tube, Side (Short) | 10 | V 070 006 265 Pin Holder | 17 | V 809 849 245 Hex Head Cap Screw |
| 4 | V 070 006 255 Tube, Side (Long) | 11 | V 070 006 266 Strap | 18 | V 809 849 285 Hex Head Cap Screw |
| 5 | V 070 006 256 Tube, Outside | 12 | V 070 006 268 Bin Strap | 19 | V 844 049 002 Stover Lock Nut |
| 6 | V 070 006 257 Tube, Center | 13 | V 070 006 447 Spring | | |
| 7 | V 070 006 258 Tube, Cross (Short) | 14 | V 208 Twin Pin Guide | | |

Buy this assembly. (3)

Order part # V 070 002 600 Yoke & Spotting Cup Assembly

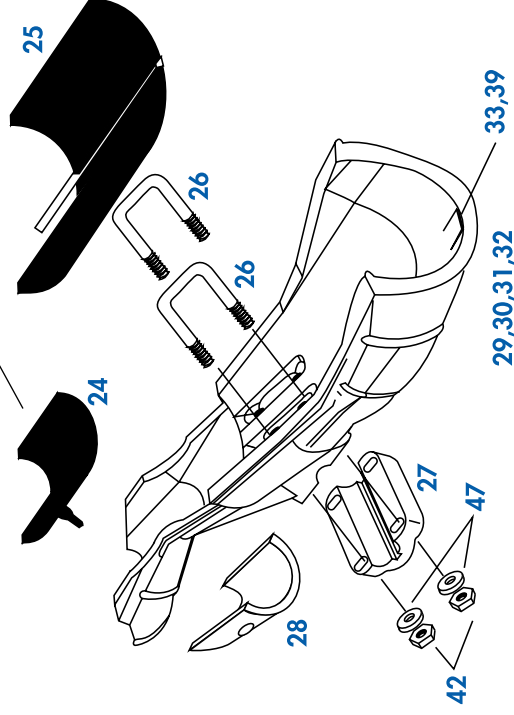
Order part # V 070 002 623 Yoke & Bearing Assembly

All urethane construction improves wear resistance.



| Part # | Description | Part # | Description |
|-----------|---|-----------|---|
| 1 | V 000 023 114 Flange Bushing | 26 | V 070 002 787 "U" Bolt |
| 2 | V 000 025 549 Collar With Set Screw 7/8" | 27 | V 070 002 788 Spotting Cup Cap |
| 2a | V 070 002 573 Spacer | 28 | V 070 002 798 Spotting Cup Retainer |
| 3 | V 070 002 600 Yoke & Spotting Cup Assembly | 29 | V 070 002 809 Lexan Spotting Cup |
| 4 | V 070 002 602 Lever Inner | 30 | V 070 002 809-A Aluminum Spotting Cup |
| 5 | V 070 002 603 Lever Outer | 31 | V 070 002 809-AS Aluminum Spotting Cup Assembly |
| 6 | V 070 002 608 Spring Collar | 32 | V 070 002 809-L Lexan Spotting Cup w/Liner |
| 7 | V 070 002 609 Pin | 33 | V 070 002 818 Rubber Washer |
| 8 | V 070 002 612 Tie Link Assembly | 34 | V 190 001 490 Bearing |
| 9 | V 070 002 615 Shaft #1 | 35 | V 701 310 036 Thrust Washer |
| 10 | V 070 002 616 Shaft #2 | 36 | V 806 265 240 Square Head Set Screw |
| 11 | V 070 002 617 Shaft #3 | 37 | V 809 865 245 Hex Head Cap Screw |
| 12 | V 070 002 618 Shaft #4 | 38 | V 809 865 365 Hex Head Cap Screw |
| 13 | V 070 002 620 Spacer | 39 | V 810 249 200 Socket Head Set Screw |
| 14 | V 070 002 623 Yoke & Bearing Assembly | 40 | V 810 258 160 Socket Head Set Screw |
| 15 | V 070 002 624 Actuator Arm | 41 | V 835 565 002 Hex Jam Nut |
| 16 | V 070 002 664 Leg Assembly Right or Left Hand | 42 | V 839 057 002 Hex Lock Nut |
| 17 | V 070 002 665 Leg Assembly Rear | 43 | V 839 665 002 Flexloc Nut |
| 18 | V 070 002 683 Yoke | 44 | V 844 049 002 Stover Lock Nut |
| 19 | V 070 002 688 Spring (7 pin) | 45 | V 900 205 053 Flange Bushing |
| 20 | V 070 002 689 Spring (10 pin) | 46 | V 919 000 700 Retaining Ring |
| 21 | V 070 002 698 Bearing | 47 | V 948 761 112 Washer |
| 22 | V 070 002 719 Spring Sleeve Yoke | | |
| 23 | V 070 002 723 Pin | | |
| 24 | V 070 002 784 Spotting Cup Liner | | |
| 25 | V 070 002 784-S Spotting Cup Liner-Self Adhesive | | |

All urethane construction improves wear resistance.



THE WORLD'S MOST POPULAR NON-METAL SPOTTING CUP JUST GOT BETTER!

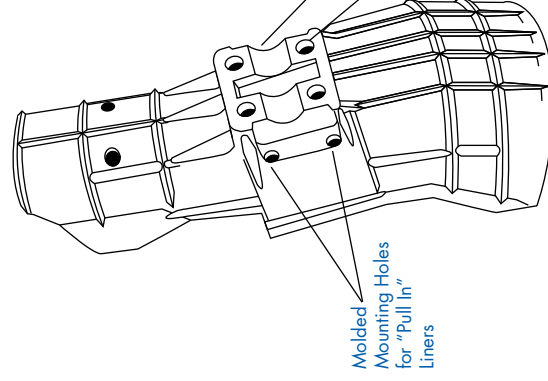
- V 070 002 809 Lexan® Spotting Cup
- V 070 002 809-L Lexan® Spotting Cup with liners

With over 100,000 sold and in use, Vantage Lexan® cups are proven as durable replacements for aluminum. **That's because they're not plastic - they're Lexan® an engineering polycarbonate.** Their one piece construction installs easily and never requires width adjustment.

We've redesigned our product to include features loyal users have requested like:

- Molded holes for "pull in" liner installation.**
 - A narrower mounting area for easier side to side adjustment.**
 - Reinforced mounting holes.**
- Lightweight, durable and easy to install, try the "new" Lexan® cup from Vantage - **the people who made plastic cups work!**

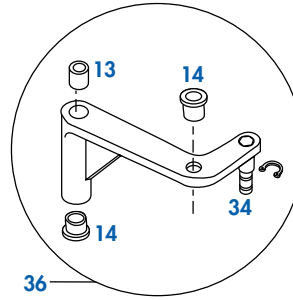
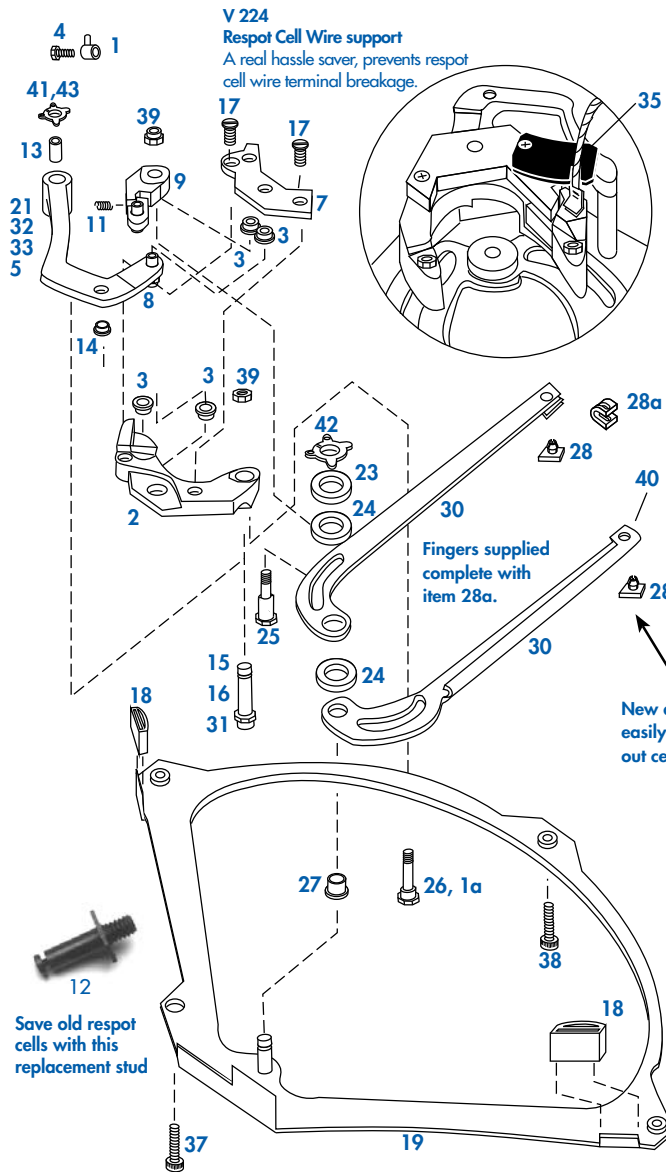
*Lexan® is a registered trademark of General Electric Corporation.



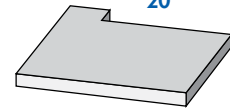
Bold faced parts denote a Vantage value added engineering improvement - contact your distributor for details.



Respot Cell



20

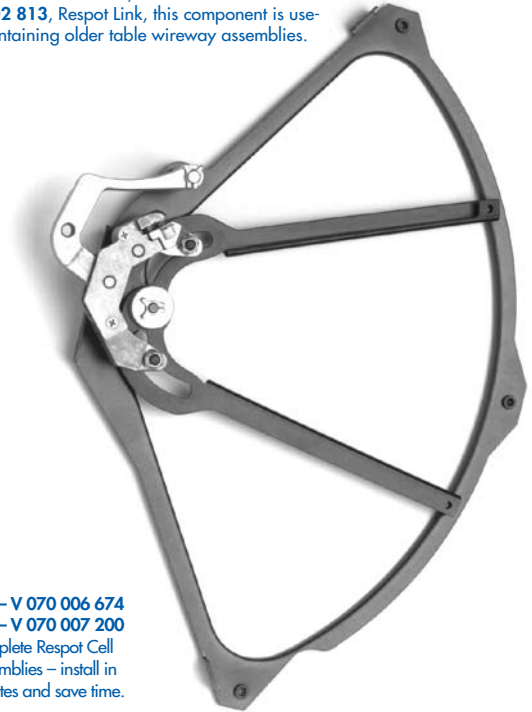


V 070 006 519
Keep your respot cells adjusted perfectly with new respot cell gauges.

Used with **V 070 002 767**, Link and **V 070 002 813**, Respot Link, this component is useful in maintaining older table wireway assemblies.

New design, installs easily and smoothes out cell operation.

(22) – V 070 006 674
(29) – V 070 007 200
Complete Respot Cell Assemblies – install in minutes and save time.

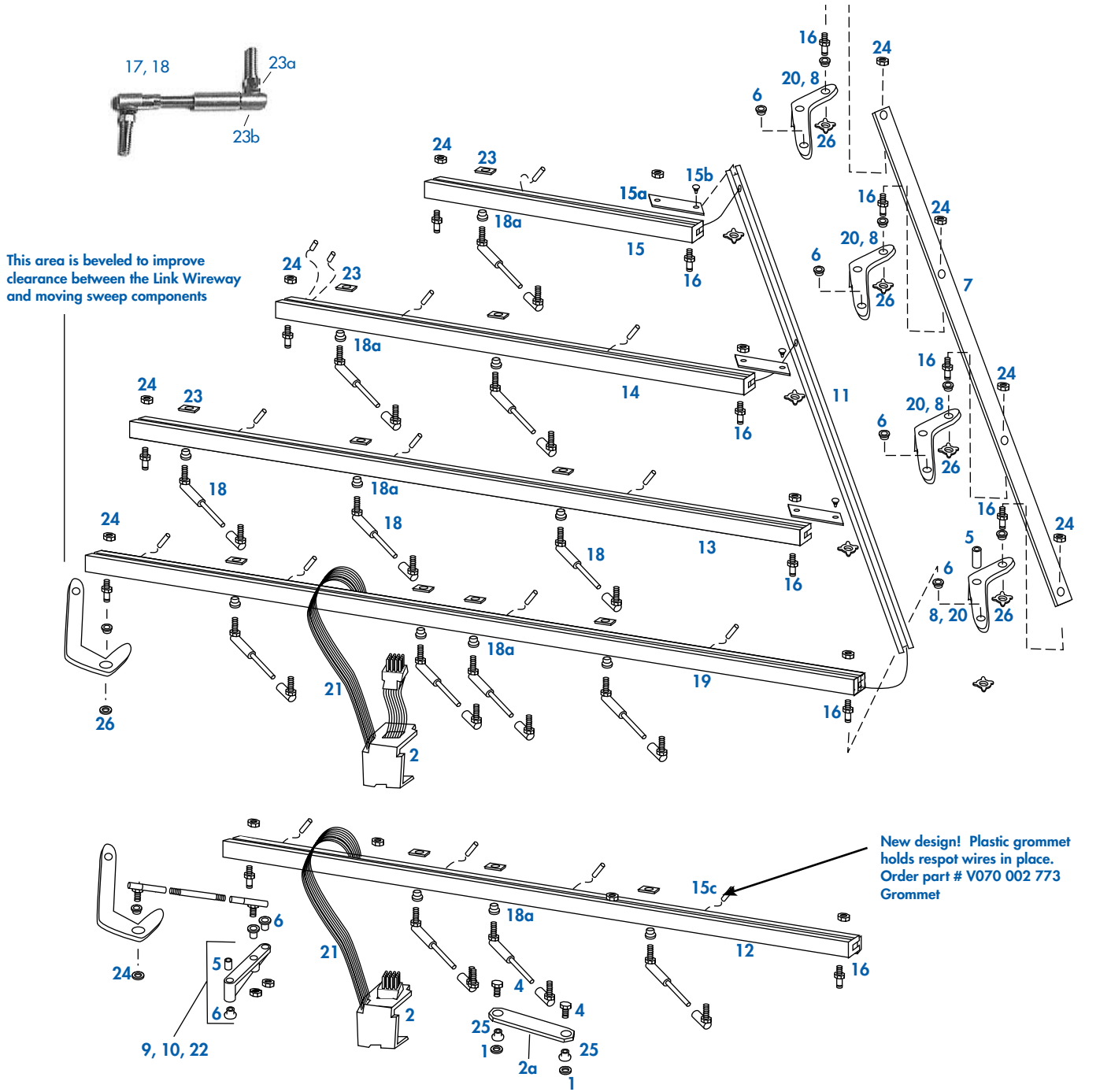


| Part # | Description |
|--------|--|
| 1 | V 070 002 570 Insert Assembly |
| 1a | V 070 002 628 Stud Respot Roll (Die Cast Fingers) |
| 2 | V 070 002 629 Yoke Arm Assembly |
| 3 | V 070 002 630 Flange Bushing |
| 4 | V 070 002 632 Stop Screw |
| 5 | V 070 002 633 Lever Assy (7 Cell) W/Item 13,14 1/4" |
| 6 | V 070 002 642 Respot Yoke Assy 7 Cell W/Items 1,2,4,7,9,11,17 and 36 |
| 7 | V 070 002 644 Plate Assembly |
| 8 | V 070 002 645 Shaft |
| 9 | V 070 002 646 Arm Respot Yoke |
| 10 | V 070 002 647 Yoke Respot Assembly W/Items 1,2,4,7,9,11,17 and 21 |
| 11 | V 070 002 649 Spring |
| 12 | V 070 002 650 Stud |
| 13 | V 070 002 652 Sleeve Bushing |
| 14 | V 070 002 653 Flange Bushing |
| 15 | V 070 002 654 Pivot Stud 1/4" Dia. |

| Part # | Description |
|-----------|--|
| 16 | V 070 002 685 Pivot Shaft 7 Cell |
| 16a | V 070 002 686 Respot Cell Assembly (7 Cell) |
| 17 | V 070 002 750 Screw |
| 18 | V 070 002 752 Bumper |
| 19 | V 070 002 792 Respot Cell Frame |
| 20 | V 070 006 519 Respot Gauge |
| 21 | V 070 006 673 Lever Assy (9 Cell) W/Items 13,14 and Pin 1/4" |
| 22 | V 070 006 674 Respot Cell Assembly Complete (7 Cell) |
| 23 | V 070 007 192 Washer |
| 24 | V 070 007 193 Spacer/Nylon Washer |
| 25 | V 070 007 194 Stud-Long |
| 26 | V 070 007 195 Stud-Short |
| 27 | V 070 007 196 Bushing |
| 28 | V 070 007 197 Insert |
| 28a | V 070 007 197-0 Original Style Insert |
| 29 | V 070 007 200 Respot Cell Assembly Complete |

| Part # | Description |
|-----------|---|
| 30 | V 070 007 261 Finger Assembly |
| 31 | V 070 007 617 Pivot Stud 5/16" Dia. |
| 32 | V 070 007 618 Lever Assy (9 Cell) W/Item 14 & Pin 5/16" |
| 33 | V 070 007 620 Lever Assy (7 Cell) W/Item 14 & Pin 5/16" |
| 34 | V 070 008 154 Pivot Pin #7 Cell |
| 35 | V 224 Respot Cell Wire Support |
| 36 | V 610 704 026 Lever Respot Arm (7 Cell) |
| 37 | V 808 640 121 Socket Head Cap Screw |
| 38 | V 808 640 141 Socket Head Cap Screw |
| 39 | V 844 049 002 Stover Lock Nut |
| 40 | V 913 437 100 Roll Pin |
| 41 | V 963 100 002 X-Washer 1/4" Pin |
| 42 | V 963 200 002 X-Washer |
| 43 | V 963 400 002 X-Washer 5/16" Pin |

Bold faced parts denote a Vantage value added engineering improvement - contact your distributor for details.



| Part # | Description |
|--------|-------------|
|--------|-------------|

| | |
|----|---|
| 1 | V 000 026 865 Washer |
| 2 | V 070 002 538 Bracket |
| 2a | V 070 002 582 Rear Drive Link Assembly |
| 4 | V 070 002 619 Pin Actuator Shaft |
| 5 | V 070 002 652 Sleeve Bushing |
| 6 | V 070 002 653 Flange Bushing |
| 7 | V 070 002 671 Link Respot Connector |
| 8 | V 070 002 678 Lever Respot Assembly, 1/4" Pin |
| 9 | V 070 002 708 Lever Assembly Respot |
| 10 | V 070 002 758 Lever And Bushing Assembly |

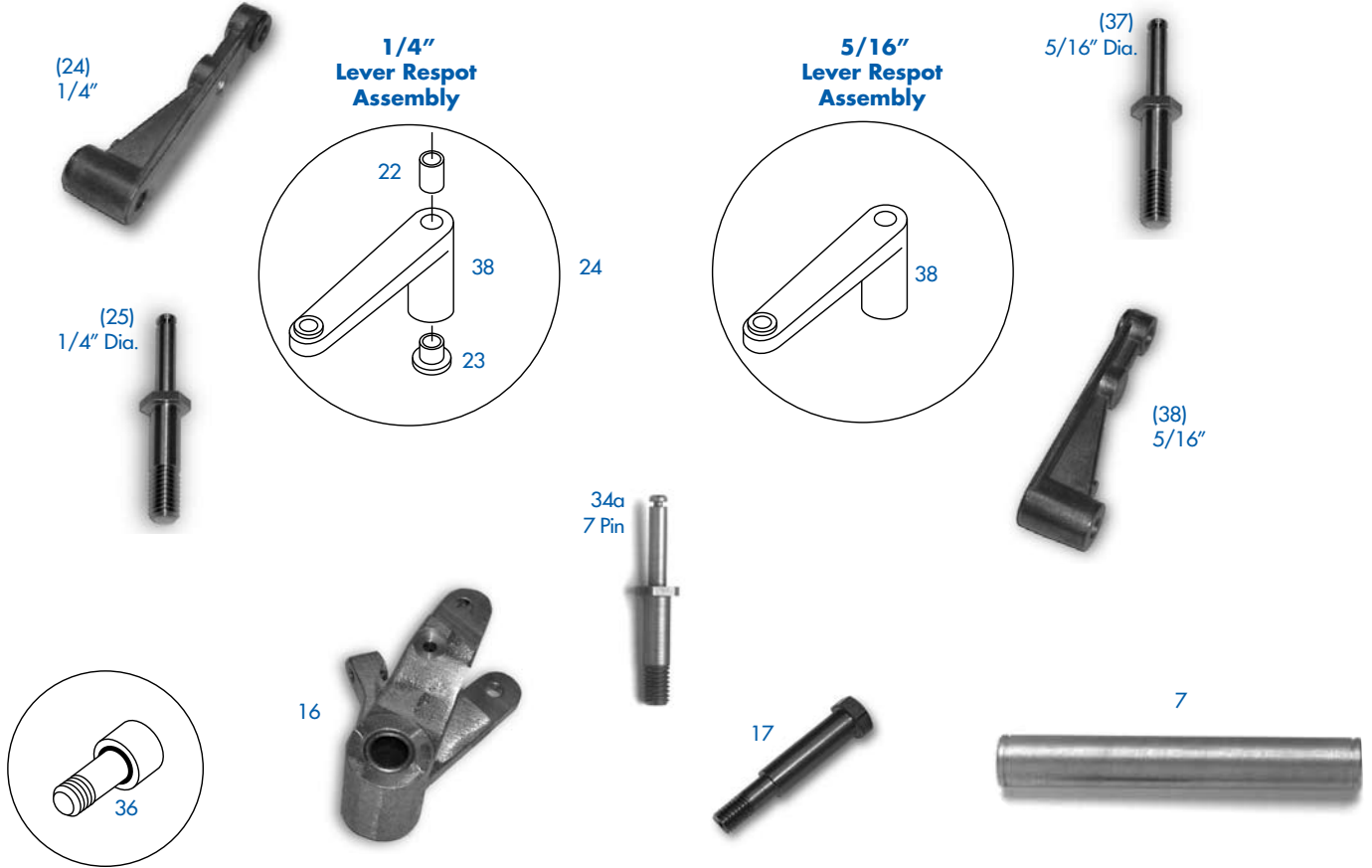
70 A Machine

| Part # | Description |
|--------|-------------|
|--------|-------------|

| | |
|-----|------------------------------|
| 11 | V 070 002 766 Link-Wireway |
| 12 | V 070 002 767 Link |
| 13 | V 070 002 768 Link |
| 14 | V 070 002 769 Link |
| 15 | V 070 002 770 Link |
| 15a | V 070 002 771 Plate |
| 15b | V 070 002 772 Pin |
| 15c | V 070 002 773 Grommet |
| 16 | V 070 002 774 Pin |
| 18 | V 070 002 814 Link Assembly |
| 18a | V 070 002 815 Spacer Bushing |

| Part # | Description |
|--------|-------------|
|--------|-------------|

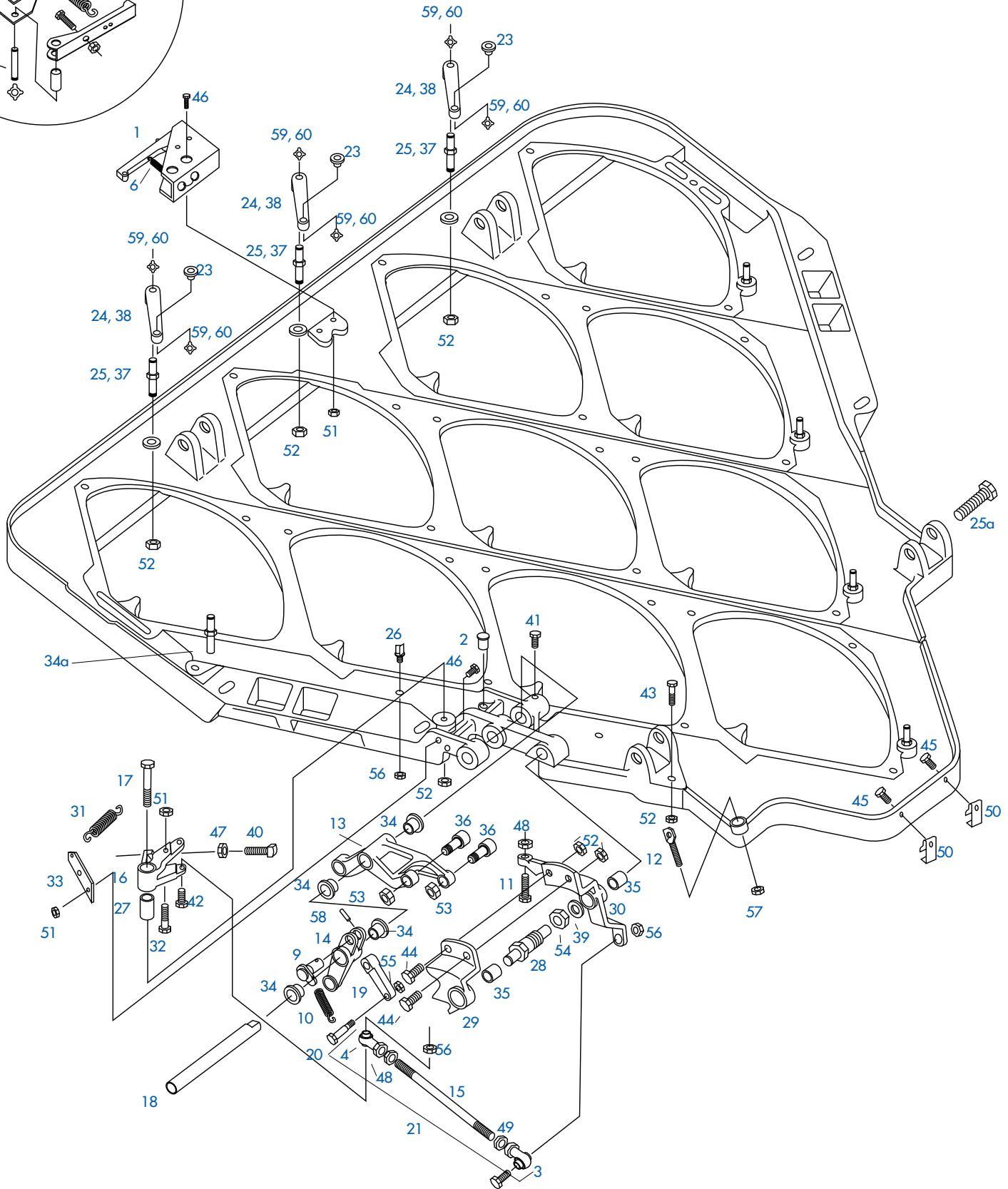
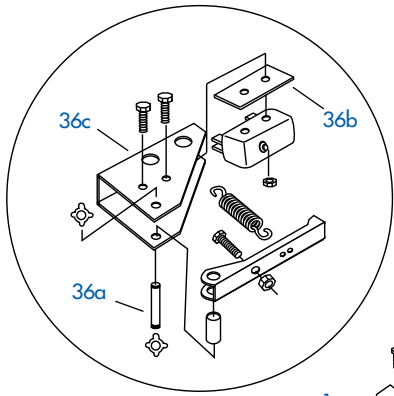
| | |
|-----|--|
| 18b | V 070 005 602 Table Cable Assembly |
| 19 | V 070 006 669 Link |
| 20 | V 070 007 623 Lever Respot Assembly, 5/16" Pin |
| 21 | V 610 704 010 Lower Table Cable |
| 22 | V 610 704 155 Lever Assembly Respot |
| 23 | V 724 507 002 Tinnerman Nut |
| 23a | V 730 027 019 Ball Stud 1/4 - 20 |
| 23b | V 730 036 025 Clip |
| 24 | V 844 049 002 Stover Lock Nut |
| 25 | V 900 205 053 Flange Bushing |
| 26 | V 963 200 002 X-Washer |



| Part # | Description |
|--------|--|
| 1 | V 000 021 645 Switch Lever Assembly |
| 2 | V 000 022 580 Pin Stop |
| 3 | V 000 022 737 1/4 Rod End Bearing L.H. |
| 4 | V 000 022 738 1/4 Rod End Bearing R.H. |
| 6 | V 000 024 657 Spring |
| 7 | V 070 001 583 Pin |
| 9 | V 070 001 804 Pivot Weldment |
| 10 | V 070 001 807 Spring |
| 11 | V 070 001 871 Hex Head Cap Screw |
| 12 | V 070 002 577 Stud |
| 13 | V 070 002 578 Lever Assembly Spot |
| 14 | V 070 002 579 Finger Lever Assembly |
| 15 | V 070 002 581 Tie Rod |
| 16 | V 070 002 583 Actuating Link Assembly |
| 17 | V 070 002 584 Bell Crank Pin |
| 18 | V 070 002 585 Shaft |
| 19 | V 070 002 590 Finger Link |
| 20 | V 070 002 592 Pin |
| 21 | V 070 002 594 Tie Rod Assembly |
| 22 | V 070 002 652 Sleeve Bushing |
| 23 | V 070 002 653 Flange Bushing |

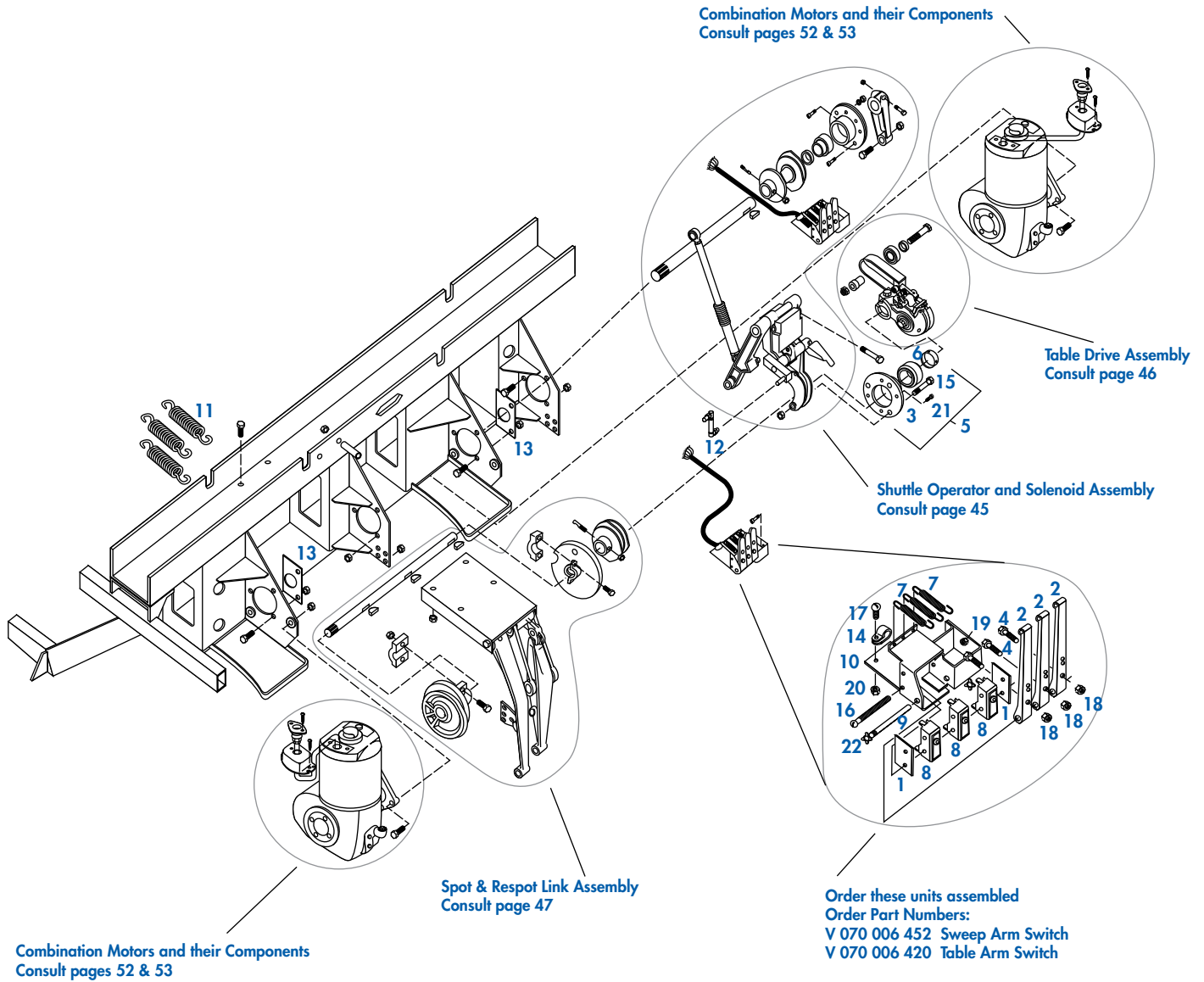
| Part # | Description |
|--------|---|
| 24 | V 070 002 680 Lever Respot Assembly 1/4" |
| 25 | V 070 002 681 Respot Lever Pivot Pin 1/4" |
| 25a | V 070 002 701 Stud |
| 26 | V 070 002 702 Stop Respot |
| 27 | V 070 002 715 Sleeve Bushing |
| 28 | V 070 002 726 Shaft |
| 29 | V 070 002 727 Link And Bearing Assembly |
| 30 | V 070 002 728 Cam Link Bearing Assembly |
| 31 | V 070 002 732 Spring |
| 32 | V 070 002 733 Cam Link Screw |
| 33 | V 070 002 734 Bracket |
| 34 | V 070 002 745 Flange Bushing |
| 34a | V 070 002 751 Respot Lever Pivot Pin 7 Side |
| 35 | V 070 002 781 Needle Bearing |
| 36 | V 070 002 816 Cam Follower |
| 36a | V 070 006 693 Shaft, Switch Assembly |
| 36b | V 070 006 694 Spacer |
| 36c | V 070 006 695 Switch Assembly Bracket |
| 37 | V 070 007 616 Pin 5/16" |
| 38 | V 070 007 622 Lever Respot Assembly 5/16" |
| 39 | V 701 316 041 Thrust Washer |

| Part # | Description |
|--------|-------------------------------------|
| 40 | V 806 249 160 Square Head Set Screw |
| 41 | V 807 357 060 Socket Head Set Screw |
| 42 | V 809 849 165 Hex Head Cap Screw |
| 43 | V 809 865 125 Hex Head Cap Screw |
| 44 | V 809 865 205 Hex Head Cap Screw |
| 45 | V 810 233 080 Socket Head Cap Screw |
| 46 | V 810 239 120 Socket Head Cap Screw |
| 47 | V 835 549 002 Hex Jam Nut |
| 48 | V 835 550 002 Hex Jam Nut |
| 49 | V 835 650 002 Hex Jam Nut |
| 50 | V 839 533 002 Flexloc Nut |
| 51 | V 839 539 002 Flexloc Nut |
| 52 | V 839 665 002 Flexloc Nut |
| 53 | V 840 066 002 Flexloc Nut |
| 54 | V 840 600 002 Flexloc Nut |
| 55 | V 843 140 002 Keps Nut |
| 56 | V 844 049 002 Stover Lock Nut |
| 57 | V 844 057 002 Stover Lock Nut |
| 58 | V 913 423 160 Roll Pin |
| 59 | V 963 200 002 X-Washer |
| 60 | V 963 400 002 X-Washer |





Front End Drive Assembly



| Part # | Description |
|--------|-------------|
|--------|-------------|

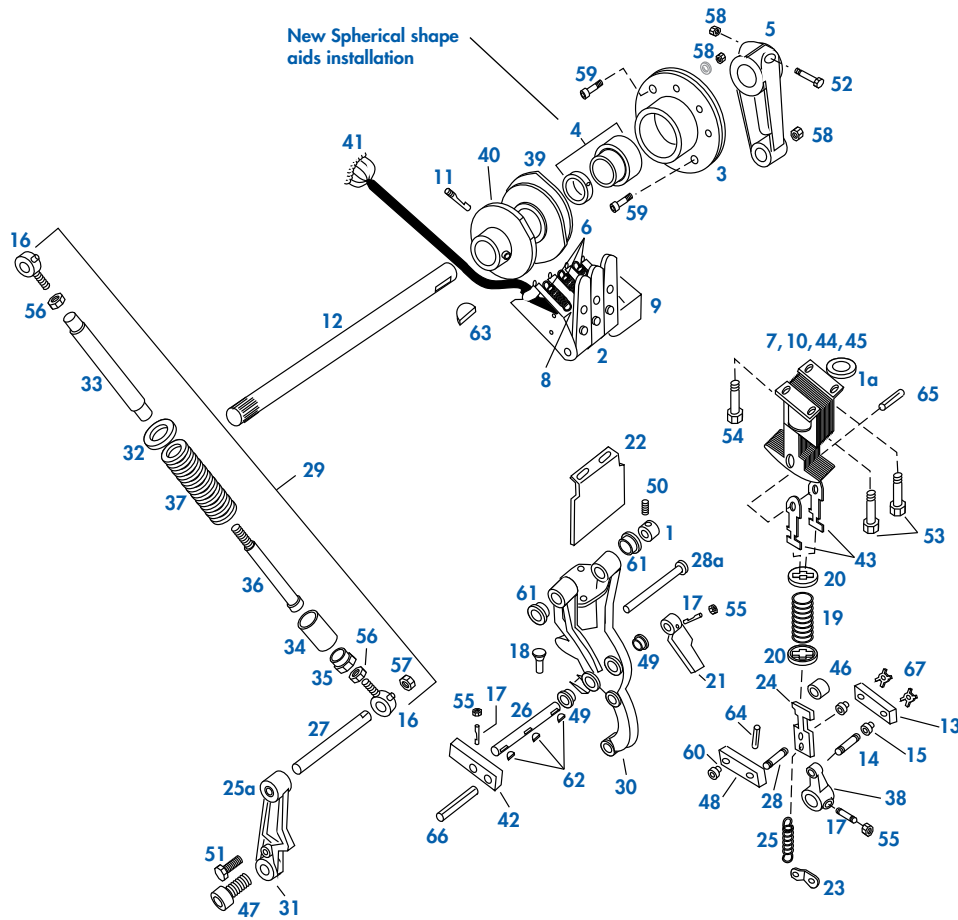
| | |
|---|--|
| 1 | V 000 021 575 Insulator |
| 2 | V 000 021 645 Switch Lever Assembly |
| 3 | V 000 021 683 Bearing Retainer |
| 4 | V 000 021 714 Adjusting Screw |
| 5 | V 000 021 744 Self Aligning Bearing Assembly |
| 6 | V 000 021 905 Bearing (W/Locking Collar) |
| 7 | V 000 024 657 Spring |
| 8 | V 000 026 042 Switch Table/ Sweep Cam |

| Part # | Description |
|--------|-------------|
|--------|-------------|

| | |
|-----|---------------------------------------|
| 9 | V 000 026 401 Shaft |
| 10 | V 000 026 419 Housing Weldment |
| 11 | V 070 001 707 Spot Respot/ Arm Spring |
| 11a | V 070 006 310 Spacer |
| 12 | V 070 006 493 Ball Joint Assembly |
| 13 | V 070 006 765 Shaft Plate |
| 13a | V 070 007 115 Receptacle |
| 14 | V 744 203 014 Nyloclip |

| Part # | Description |
|--------|-------------|
|--------|-------------|

| | |
|----|-------------------------------------|
| 15 | V 809 857 405 Hex Head Cap Screw |
| 16 | V 818 227 402 Round Head Sems Screw |
| 17 | V 818 233 082 Round Head Sems Screw |
| 18 | V 835 550 002 Hex Jam Nut |
| 19 | V 843 127 002 Keps Nut |
| 20 | V 843 133 002 Keps Nut |
| 21 | V 880 239 140 Shoulder Screw |
| 22 | V 963 200 002 X-Washer |



| Part # | Description |
|--------|-------------|
|--------|-------------|

| | |
|-----------|---|
| 1 | V 000 021 423 Collar (With Set Screw) |
| 1a | V 000 021 442 Rubber Washer (Seal Washer) |
| 2 | V 000 021 645 Switch Lever Assembly |
| 3 | V 000 021 683 Bearing Retainer |
| 4 | V 000 021 905 Bearing (W/Locking Collar) |
| 5 | V 000 023 139 Crank Arm |
| 6 | V 000 024 657 Spring |
| 7 | V 000 026 027 Solenoid 5/32" Plunger Hole 60 HZ |
| 8 | V 000 026 042 Switch - Table/Sweep Cam |
| 9 | V 000 026 419 Housing Weldment |
| 10 | V 000 027 873 Solenoid 5/32" Plunger Hole 50 HZ |
| 11 | V 070 001 664 Clamp Stud |
| 12 | V 070 001 699 Sweep Drive Shaft |
| 13 | V 070 001 774 Link Assembly |
| 14 | V 070 001 777 Pin |
| 15 | V 070 002 653 Flange Bushing |
| 16 | V 070 006 046 Rod End |
| 17 | V 070 006 116 Clamp Stud |
| 18 | V 070 006 142 Bumper |
| 19 | V 070 006 276 Spring |
| 20 | V 070 006 277 Washer |
| 21 | V 070 006 278 Cam Link |
| 22 | V 070 006 279 Solenoid Guard |

| Part # | Description |
|--------|-------------|
|--------|-------------|

| | |
|-----|--|
| 23 | V 070 006 280 Spring Clip |
| 24 | V 070 006 282 Spring Link |
| 25 | V 070 006 283 Spring |
| 25a | V 070 006 284 Clamp Stud |
| 26 | V 070 006 285 Shaft |
| 27 | V 070 006 286 Shaft |
| 28 | V 070 006 287 Pin |
| 28a | V 070 006 289 Shaft Headed |
| 29 | V 070 006 293 Connecting Rod Assembly |
| 30 | V 070 006 294 Bracket Casting |
| 31 | V 070 006 295 Lever |
| 32 | V 070 006 296 Washer Spring |
| 33 | V 070 006 297 Long Tube |
| 34 | V 070 006 299 Tube Assembly |
| 35 | V 070 006 302 Tube Plug |
| 36 | V 070 006 304 Rod Assembly |
| 37 | V 070 006 306 Spring |
| 38 | V 070 006 307 Link Assembly |
| 39 | V 070 006 449 Cam Weldment, Sweep |
| 40 | V 070 006 450 Cam Weldment, Sweep |
| 41 | V 070 006 452 Sweep Cable-Sweep Cam Switch |
| 42 | V 070 006 484 Stop Lever Assembly |
| 43 | V 070 006 724 Spring Link Outside |
| 44 | V 070 006 726 Solenoid 1/4" Plunger Hole 60 HZ |

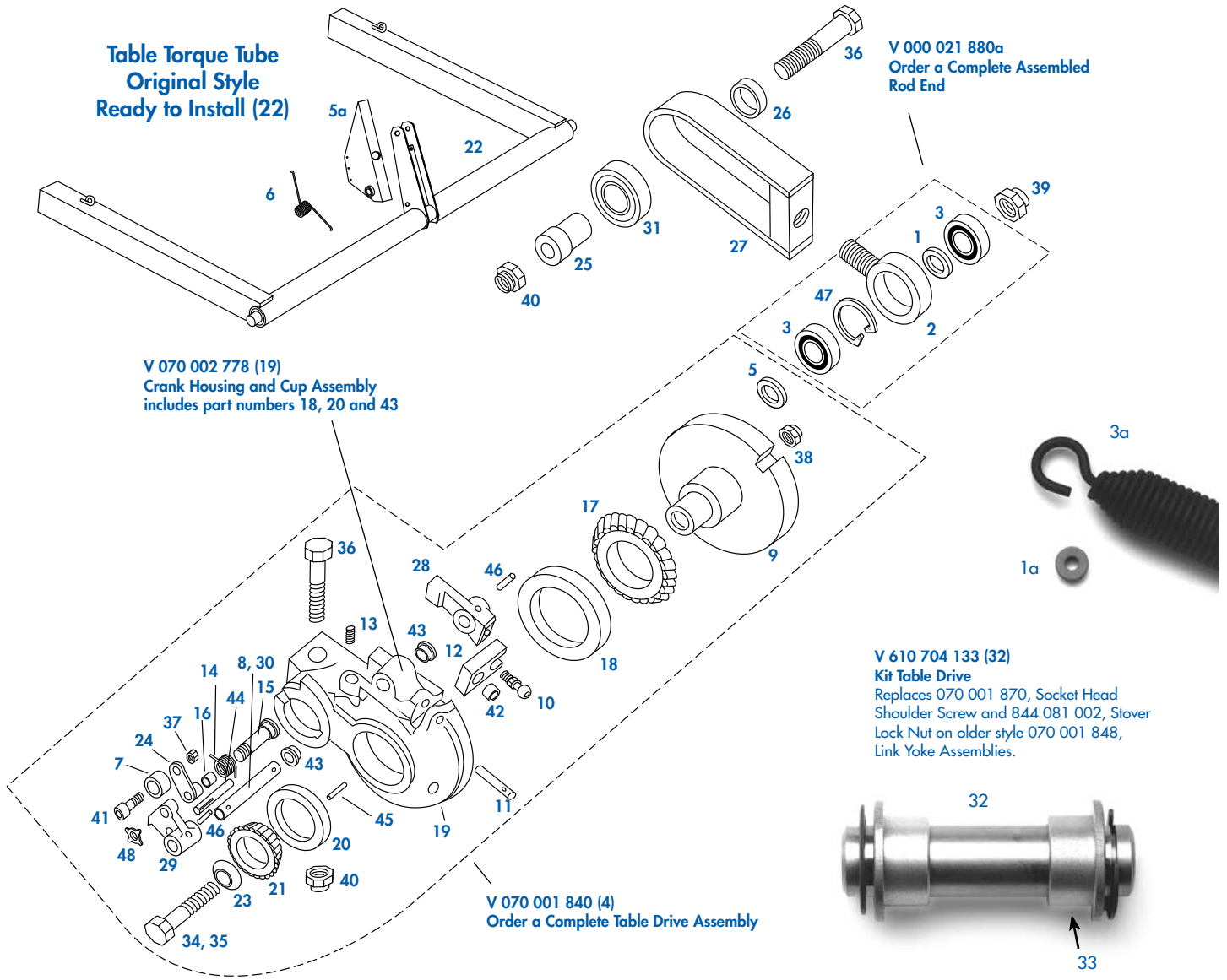
| Part # | Description |
|--------|-------------|
|--------|-------------|

| | |
|----|--|
| 45 | V 070 006 727 Solenoid 1/4" Plunger Hole 50 HZ |
| 46 | V 070 008 133 Spacer |
| 47 | V 610 704 002 Cam Follower Assembly |
| 48 | V 610 704 015 Kit Link Replacement |
| 49 | V 701 416 058 Flange Bushing |
| 50 | V 807 357 040 Socket Head Set Screw |
| 51 | V 809 865 205 Hex Head Cap Screw |
| 52 | V 809 873 405 Hex Head Cap Screw |
| 53 | V 813 933 162 Hex Head Machine Screw |
| 54 | V 814 333 122 Hex Head Machine Screw |
| 55 | V 835 549 002 Hex Jam Nut |
| 56 | V 835 566 002 Hex Jam Nut |
| 57 | V 840 065 002 Thin Flexloc Nut |
| 58 | V 844 073 002 Stover Lock Nut |
| 59 | V 880 239 140 Shoulder Screw |
| 60 | V 900 204 121 Flange Bushing |
| 61 | V 900 210 161 Flange Bushing |
| 62 | V 907 000 200 Key |
| 63 | V 907 000 900 Key |
| 64 | V 913 415 100 Roll Pin |
| 65 | V 913 448 120 Roll Pin |
| 66 | V 913 464 400 Roll Pin |
| 67 | V 963 200 002 X-Washer |

Bold faced parts denote a Vantage value added engineering improvement - contact your distributor for details.



Table Drive Assembly



| Part # | Description |
|--------|-------------|
|--------|-------------|

| | |
|----|---------------------------------------|
| 1 | V 000 021 878 Spacer |
| 1a | V 070 001 668 Roller |
| 2 | V 000 021 880 Rod End |
| 2a | V 000 021 880a Assembled Rod End |
| 3 | V 000 021 881 Bearing |
| 3a | V 000 022 782 Counter Balance Spring |
| 4 | V 070 001 840 Table Drive Assembly |
| 5 | V 070 001 849 Washer |
| 5a | V 070 001 852 Lever Table Arm |
| 6 | V 070 001 853 Spring |
| 7 | V 070 001 857 Roller |
| 7a | V 070 001 857L Special Dist. Roller |
| 8 | V 070 001 866 Pin 3/32 Roll Pin Holes |
| 9 | V 070 001 877 Table Drive Eccentric |
| 10 | V 070 001 893 Cam Ball Assembly |
| 11 | V 070 001 894 Pivot Pin |
| 12 | V 070 001 898 Latch |
| 13 | V 070 001 917 Spring |

| Part # | Description |
|--------|-------------|
|--------|-------------|

| | |
|----|--|
| 14 | V 070 001 931 Spring |
| 15 | V 070 001 932 Pin |
| 16 | V 070 002 652 Sleeve Bushing |
| 17 | V 070 002 776 Cone, Roller Bearing |
| 18 | V 070 002 777 Cup, Roller Bearing |
| 19 | V 070 002 778 Crank Housing and Cup Assembly |
| 20 | V 070 002 780 Cup, Roller Bearing |
| 21 | V 070 002 824 Cone and Seal |
| 22 | V 070 006 718 Table Torque Tube |
| 23 | V 070 006 729 Disc Spring |
| 24 | V 070 007 250 Link Hub Assembly |
| 25 | V 070 007 310 Flange Bushing |
| 26 | V 070 007 311 Sleeve |
| 27 | V 070 007 755 Yoke Assembly |
| 28 | V 070 008 321 Arm Latch Assembly |
| 29 | V 070 008 322 Link |
| 30 | V 070 008 325 Pin 1/8 Roll Pin Holes |
| 31 | V 190 001 490 Bearing |

| Part # | Description |
|--------|-------------|
|--------|-------------|

| | |
|----|---|
| 32 | V 610 704 133 Kit Table Drive |
| 33 | V 610 704 133-B Bushing for Kit Table Drive |
| 34 | V 809 870 285 Hex Head Cap Screw |
| 35 | V 809 870 325 Hex Head Cap Screw |
| 36 | V 809 873 405 Hex Head Cap Screw |
| 37 | V 839 539 002 Flexloc Nut |
| 38 | V 840 070 002 Flexloc Nut |
| 39 | V 840 182 002 Thin Flexloc Nut |
| 40 | V 844 073 002 Stover Lock Nut |
| 41 | V 880 139 120 Shoulder Screw |
| 42 | V 900 104 071 Sleeve Bushing |
| 43 | V 900 205 053 Flange Bushing |
| 44 | V 912 137 200 Groove Pin |
| 45 | V 913 415 120 Roll Pin |
| 46 | V 913 423 120 Roll Pin |
| 47 | V 919 000 600 Retaining Ring |
| 48 | V 963 300 002 X-Washer |

V 070 001 910
Cam Spot Respot



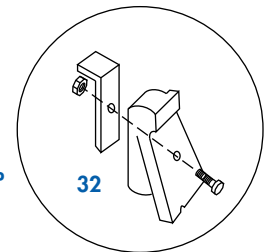
18

V 070 001 598
Hook Assembly
for double solenoid
machines

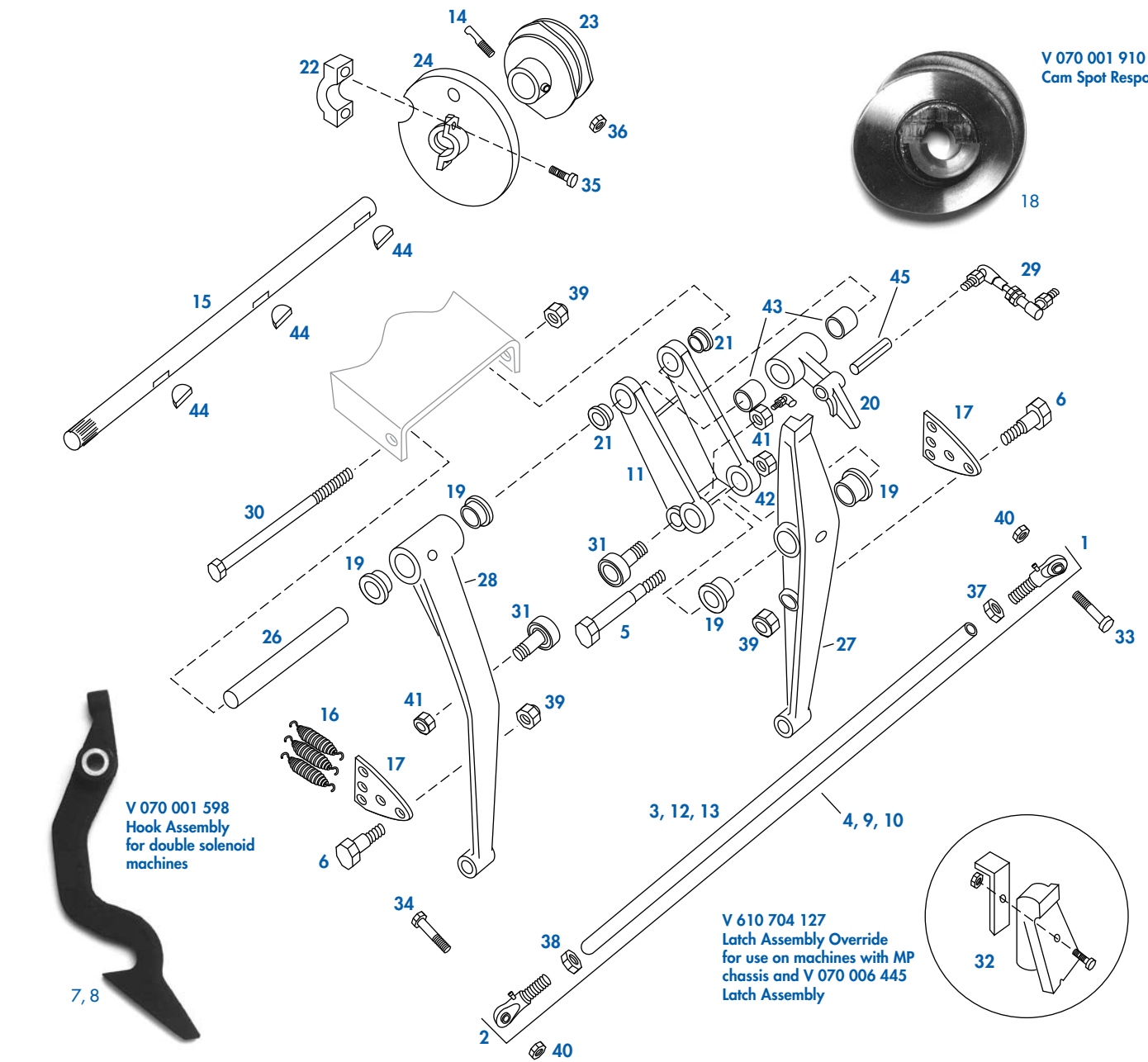


7, 8

V 610 704 127
Latch Assembly Override
for use on machines with MP
chassis and V 070 006 445
Latch Assembly



32



| Part # | Description |
|--------|-------------|
|--------|-------------|

| | |
|----|--|
| 1 | V 000 025 004 End Fitting R.H. |
| 2 | V 000 025 005 End Fitting L.H. |
| 3 | V 070 001 557 Tie Rod |
| 4 | V 070 001 558 Table Tie Rod |
| 5 | V 070 001 585 Spot Link Pin |
| 5a | V 070 001 562 Cap Cam Hub |
| 6 | V 070 001 587 Spring Hanger Pin |
| 7 | V 070 001 591 Pin (Not Shown) |
| 8 | V 070 001 598 Hook Assembly |
| 9 | V 070 001 601 Respot Tie Rod |
| 10 | V 070 001 602 Spot Tie Rod |
| 11 | V 070 001 605 Upper Spotting Link Assy |
| 12 | V 070 001 606 Respot Tie Rod |
| 13 | V 070 001 607 Spot Tie Rod |
| 14 | V 070 001 664 Clamp Stud |

| Part # | Description |
|--------|-------------|
|--------|-------------|

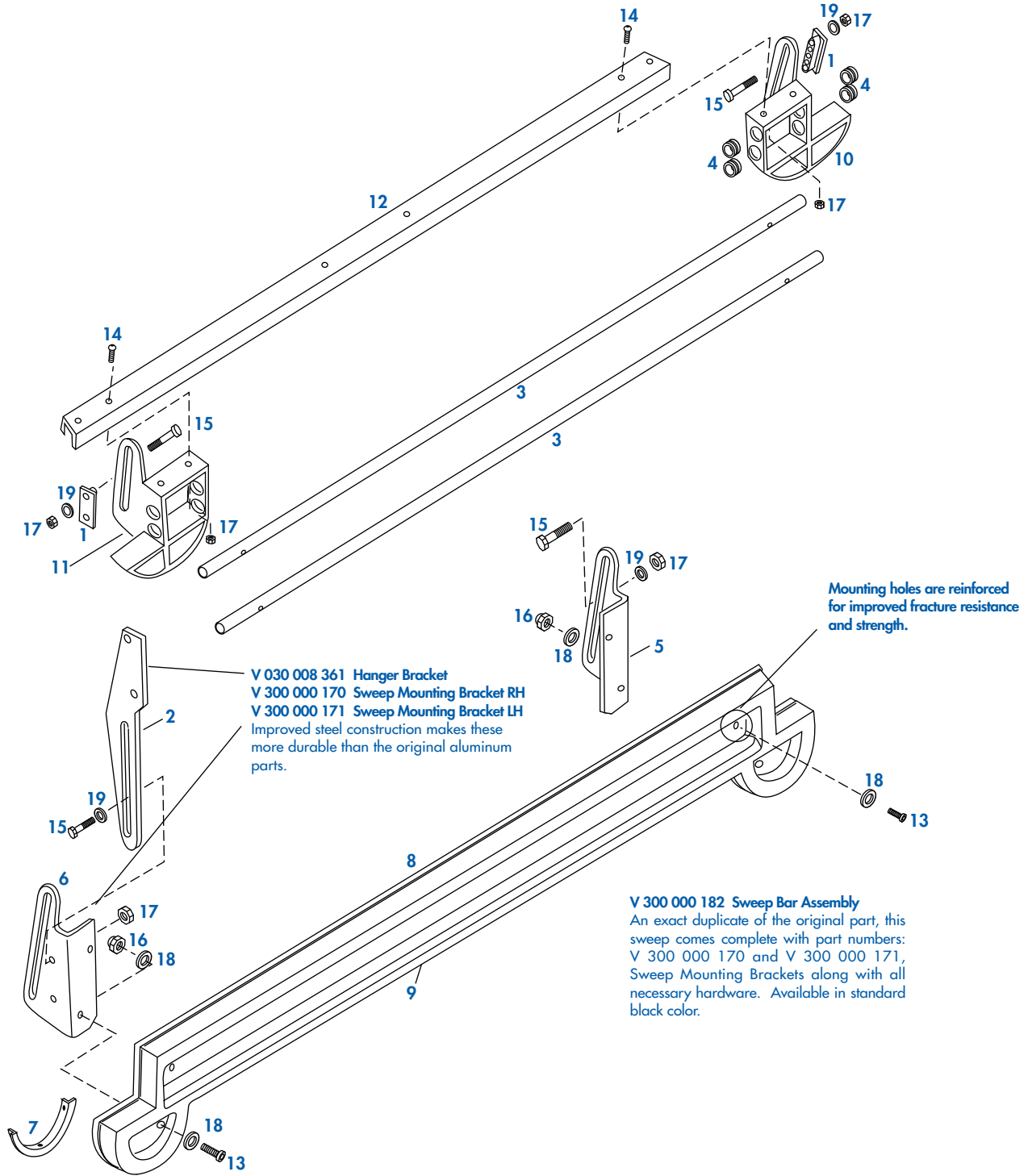
| | |
|----|--|
| 15 | V 070 001 700 Table Drive Shaft |
| 16 | V 070 001 707 Spot/Respot Arm Spring |
| 17 | V 070 001 751 Spring Hanger |
| 18 | V 070 001 910 Cam Spot Respot |
| 19 | V 070 001 919 Flange Bushing |
| 20 | V 070 001 997 Alternate Latch Assembly |
| 21 | V 070 002 691 Flange Bushing |
| 22 | V 070 006 407 Cam Hub Cap |
| 23 | V 070 006 417 Cam Weldment, Table |
| 24 | V 070 006 427 Shuttle Cam |
| 26 | V 070 006 457 Spotting Arm Shaft |
| 27 | V 070 006 481 Spotting Arm Link Assy |
| 28 | V 070 006 492 Respot Arm Link Assy |
| 29 | V 070 006 493 Ball Joint Assembly |
| 30 | V 070 006 496 Hex Head Cap Screw |

| Part # | Description |
|--------|-------------|
|--------|-------------|

| | |
|----|---------------------------------------|
| 31 | V 610 704 002 Cam Follower Assembly |
| 32 | V 610 704 127 Latch Assembly Override |
| 33 | V 809 869 245 Hex Head Cap Screw |
| 34 | V 809 869 285 Hex Head Cap Screw |
| 35 | V 810 265 280 Socket Head Cap Screw |
| 36 | V 835 549 002 Hex Jam Nut |
| 37 | V 835 570 002 Hex Jam Nut |
| 38 | V 835 670 002 Hex Jam Nut |
| 39 | V 839 665 002 Flexloc Nut |
| 40 | V 844 069 002 Stover Lock Nut |
| 41 | V 844 070 002 Stover Lock Nut |
| 42 | V 844 073 002 Stover Lock Nut |
| 43 | V 900 110 141 Sleeve Bushing |
| 44 | V 907 000 900 Key |
| 45 | V 913 464 360 Roll Pin |



Sweep Bar Mounting Assembly

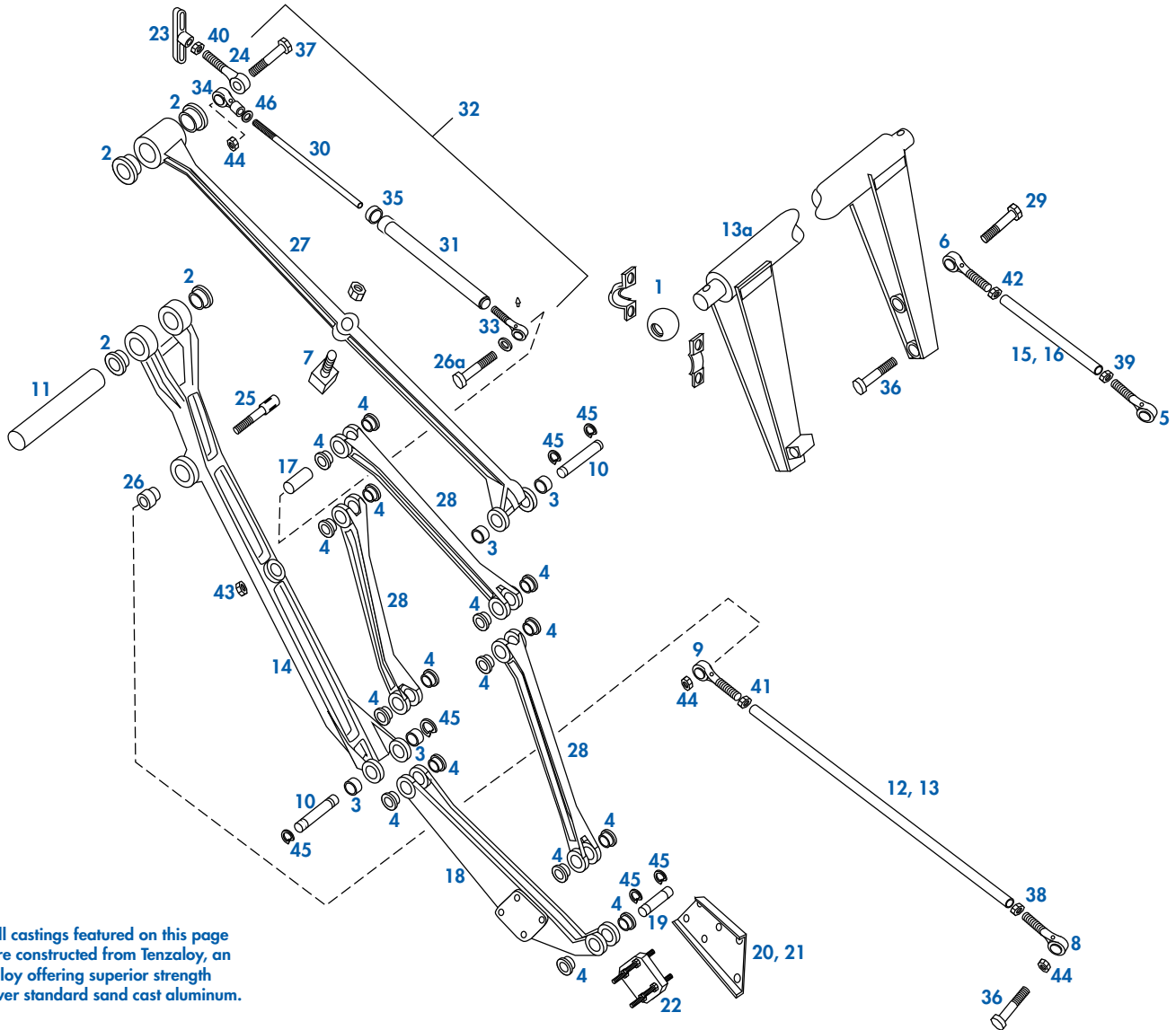


| Part # | Description |
|----------|---|
| 1 | V 000 023 182 Slide Bar |
| 2 | V 030 008 361 Hanger Bracket |
| 3 | V 070 003 180 Tube |
| 4 | V 070 003 236 Grommet |
| 5 | V 300 000 170 Sweep Mounting Bracket R.H. (10 pin) |
| 6 | V 300 000 171 Sweep Mounting Bracket L.H. (7 pin) |

| Part # | Description |
|-----------|---|
| 7 | V 300 000 175 Cap Sweep Bar |
| 8 | V 300 000 182 Sweep Bar Assembly |
| 9 | V 300 000 182-NB Sweep Bar Only |
| 10 | V 610 700 079 Shield R.H. (10 pin) |
| 11 | V 610 700 089 Shield L.H. (7 pin) |
| 12 | V 610 700 099 Channel Sweep |
| 13 | V 808 557 140 Button Head Socket Screw |
| 14 | V 808 557 160 Button Head Socket Screw |

| Part # | Description |
|--------|----------------------------------|
| 15 | V 809 857 245 Hex Head Cap Screw |
| 16 | V 830 057 002 Acorn Nut |
| 17 | V 844 057 002 Stover Lock Nut |
| 18 | V 948 722 111 Washer |
| 19 | V 948 761 112 Washer |

Bold faced parts denote a Vantage value added engineering improvement - contact your distributor for details.



All castings featured on this page are constructed from Tenzaloy, an alloy offering superior strength over standard sand cast aluminum.

| Part # | Description | Part # | Description | Part # | Description |
|--------|--|--------|--|--------|---|
| 1 | V 000 022 811 Pillow Block | 15 | V 070 003 159 Tube | 31 | V 070 007 278 Tube Weldment |
| 1a | V 000 021 527 U-Bolt | 16 | V 070 003 162 Motor Connecting Rod | 32 | V 070 007 280 Link Assembly Telescoping Sweep |
| 1b | V 000 021 528 Saddle | 17 | V 070 003 173 Sleeve Bushing | 33 | V 070 007 281 Rod End Male |
| 2 | V 000 023 104 Flange Bushing | 18 | V 070 003 184 Support Link Assembly | 34 | V 070 007 282 Rod End Female |
| 3 | V 000 023 105 Sleeve Bushing | 19 | V 070 003 189 Pin-Bearing | 35 | V 070 007 283 Bumper |
| 4 | V 000 023 114 Flange Bushing | 20 | V 070 003 190 Shock Bracket R.H. | 36 | V 809 869 365 Hex Head Cap Screw |
| 5 | V 000 023 160 End Fitting R.H. | 21 | V 070 003 191 Shock Bracket L.H. (Shown) | 37 | V 809 869 405 Hex Head Cap Screw |
| 6 | V 000 023 161 End Fitting L.H. | 22 | V 070 003 195 Shock Mount | 38 | V 835 570 002 Hex Jam Nut |
| 7 | V 000 023 216 Bumper | 23 | V 070 003 222 Shock Mounting Bracket | 39 | V 835 574 002 Hex Jam Nut |
| 8 | V 000 025 004 End Fitting R.H. | 24 | V 070 003 223 Threaded Link | 40 | V 835 582 002 Hex Jam Nut |
| 9 | V 000 025 005 End Fitting L.H. | 25 | V 070 003 231 Pin Bearing | 41 | V 835 670 002 Hex Jam Nut |
| 10 | V 070 003 103 Pin-Bearing | 26 | V 070 003 234 Flange Bushing | 42 | V 835 674 002 Hex Jam Nut |
| 11 | V 070 003 106 Shaft Main Pivot | 26a | V 070 003 235 Sweep Link Screw | 43 | V 839 665 002 Flexloc Nut |
| 12 | V 070 003 115 Drive Link Connecting Rod | 27 | V 070 003 238 Stabilizing Link | 44 | V 844 069 002 Stover Lock Nut |
| 13 | V 070 003 116 Tube | 28 | V 070 003 242 Link Assembly | 45 | V 919 010 700 Retaining Ring |
| 13a | V 070 003 132 Sweep Rocker Arm Assembly | 29 | V 070 003 245 Screw | 46 | V 949 100 002 Washer |
| 14 | V 070 003 158 Drive Link Assembly | 30 | V 070 007 276 Rod | | |

Bold faced parts denote a Vantage value added engineering improvement - contact your distributor for details.



REPLACEMENT MOTORS FOR NATIONAL GEARBOXES

Vantage offers a wide variety of replacement motors for all National gearboxes. Consult the following chart to select the motor for your application.

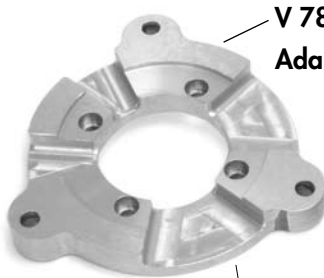
Order Part Numbers:

- V785 502 233 National B.E. Motor 60HZ
- V785 502 234 National B.E. Motor 50HZ

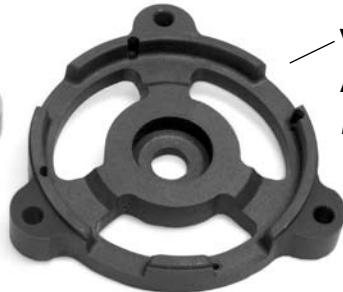


VANTAGE BACKEND MOTORS AND GEARBOXES WITH VENTED, REPLACEABLE MOTOR HEADS

New vented adaptor plates for the replaceable motor make the Vantage backend tops in cool operation, ease of maintenance, and service life. Order one today!



V 785 502 235
Adapter Plate Nat. Gearbox



V 785 502 233-A
Adapter Plate Nat. Motor



Order Part Number:

- V 070 006 213 Vantage B.E. Motor L.H. 50HZ
- V 070 006 216 Vantage B.E. Motor R.H. 50HZ (shown)
- V 610 704 045 Vantage B.E. Motor L.H. 60HZ
- V 610 704 047 Vantage B.E. Motor R.H. 60HZ (shown)



GEARBOX KITS

A Vantage Exclusive - "SPECIAL BLEND" GEARBOX OIL

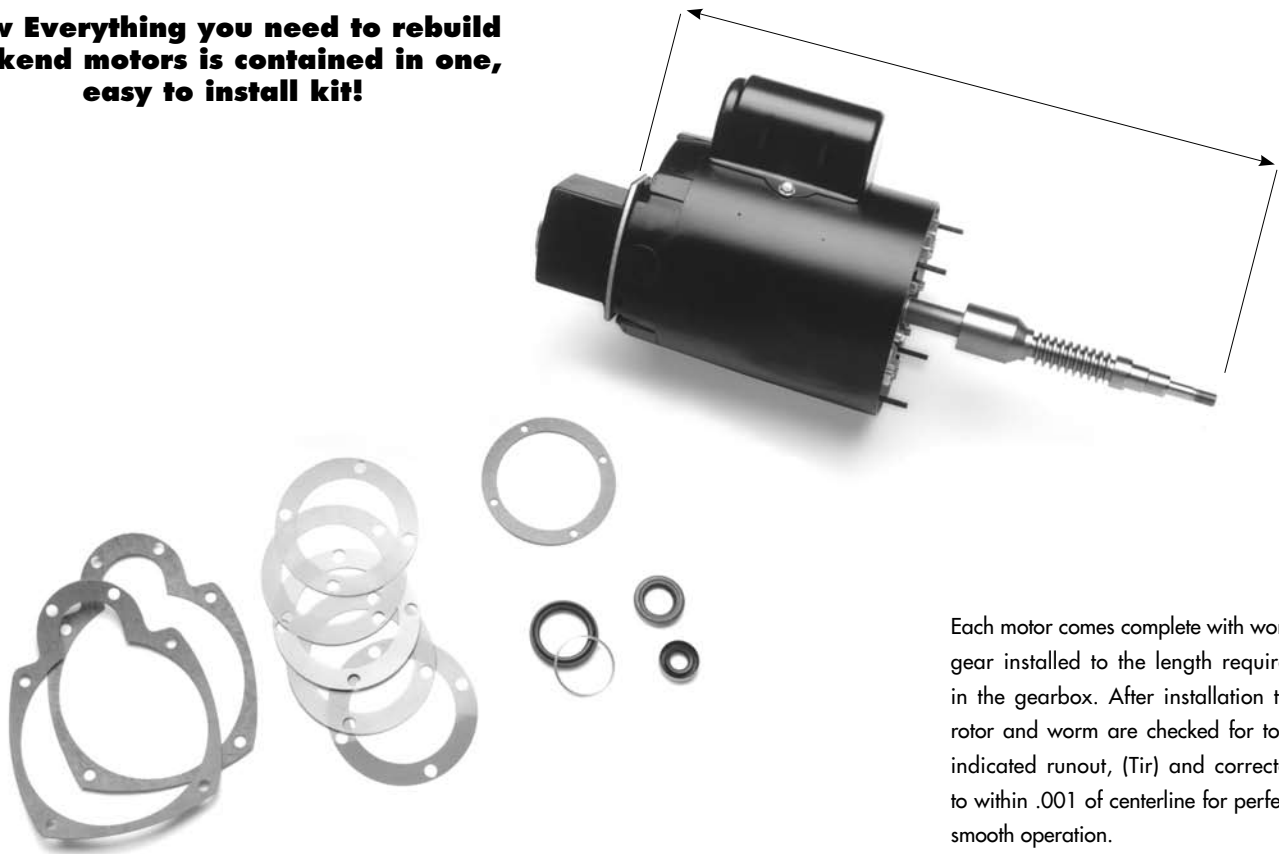
V 280 "Special blend" Gearbox oil

The use of proper lubrication in all pinspotter gearboxes can reduce wear and extend service life. Just making sure gearboxes have oil is an absolute must.

Vantage has specially compounded its new gearbox oil to deliver smooth, cool operation, under all bowling conditions. Conveniently packaged in 16 ounce bottles.



**Now Everything you need to rebuild
backend motors is contained in one,
easy to install kit!**



Order Part Numbers:

V 610 704 042 Kit
V 610 704 043 Kit
V 070 006 211 Kit
V 070 006 212 Kit

Backend Motor Rebuild Kit L.H. 60HZ
Backend Motor Rebuild Kit R.H. 60HZ
Backend Motor Rebuild Kit L.H. 50HZ
Backend Motor Rebuild Kit R.H. 50HZ

Each motor comes complete with worm gear installed to the length required in the gearbox. After installation the rotor and worm are checked for total indicated runout, (Tir) and corrected to within .001 of centerline for perfect, smooth operation.

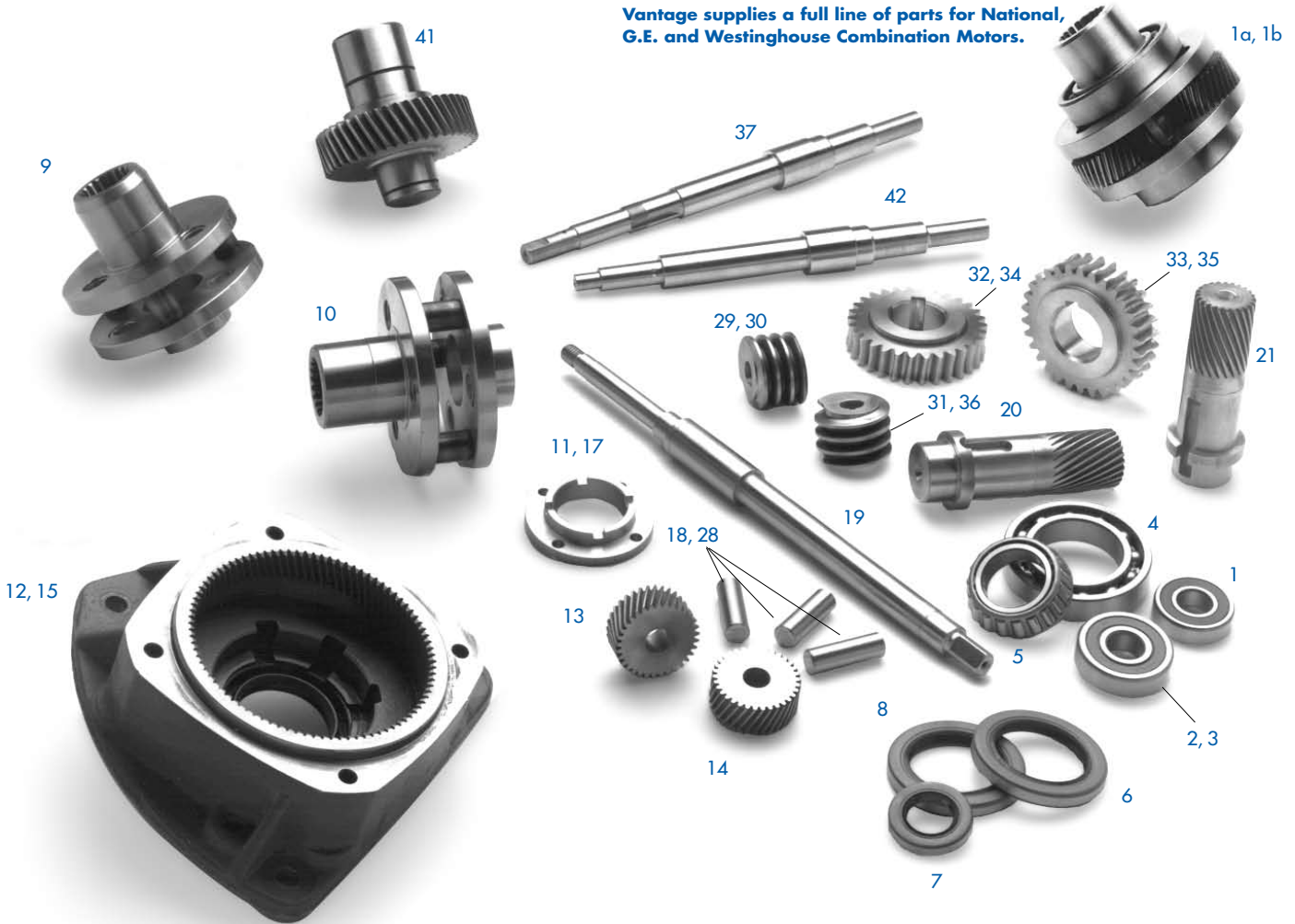
Vantage makes backend gearbox maintenance and service simple by supplying the most common service components all in one easy to install kit. Parts are precision assembled at Vantage to exacting standards.

*** We Even Remembered To
Send New Gearbox Oil!**



Gearbox Components Table/Sweep Motors

Vantage supplies a full line of parts for National, G.E. and Westinghouse Combination Motors.



| Part # | Description | Part # | Description | Part # | Description | | | |
|-----------|---------------|---|-------------|---------------|--------------------------------------|----|---------------|----------------------------------|
| 1a | V 218 | Gear Cage Assembly WEST w/Cage, Helical Gears, Spindles & Bearings | 12 | V 785 501 094 | Cover Flanged w/Ring Gear GE | 27 | V 785 501 341 | Worm Spacer Large - WEST * |
| 1b | V 219 | Gear Cage Assembly G.E. w/Cage, Helical Gears, Spindles & Bearings | 13 | V 785 501 134 | Helical Gear - WEST | 28 | V 785 501 343 | Spindles 12.1 & 14.53 RPM GE |
| 1 | V 701 015 004 | Wrm Shft OB Brng 12.1&14.53RPM-GE&WH | 14 | V 785 501 137 | PlanetGearGE 12.1&14.53RPM | 29 | V 785 501 423 | Worm (12.1 RPM) - WEST |
| 2 | V 701 021 010 | Bearing G.E. | 15 | V 785 501 179 | Cover Flgd w/Ring Gear WEST | 30 | V 785 501 426 | Worm (12.1 RPM) - GE |
| 3 | V 701 021 014 | Wrm Shft IB Brng 12.1&14.53RPM-GE&WH | 16 | V 785 501 223 | Expansion Plug G.E. - WEST * | 31 | V 785 501 427 | Worm (14.5 RPM) - WEST |
| 4 | V 701 077 015 | Brng-Cage OB&IB 12.1&14.53RPM-GE&WH | 17 | V 785 501 228 | Bearing Retainer - WEST | 32 | V 785 501 435 | Worm Wheel - WEST 12.1 RPM |
| 5 | V 701 240 032 | Brng Whl Shft OB&IB 12.1&14.53RPM-GE&WH | 18 | V 785 501 287 | Planet Gear Shaft - WEST | 33 | V 785 501 437 | Worm Wheel 14.5 RPM WEST |
| 6 | V 716 501 013 | Seal OP Shaft G.E. | 19 | V 785 501 288 | Rotor Shaft - WEST | 34 | V 785 501 438 | Wheel 12.1 RPM GE |
| 7 | V 716 503 015 | Oil Seal G.E. & WEST | 20 | V 785 501 291 | Sun Gear & Shaft - WEST | 35 | V 785 501 543 | Wheel 14.53 RPM GE |
| 8 | V 716 503 020 | Oil Seal WEST | 21 | V 785 501 295 | Wheel Shaft - G.E. | 36 | V 785 501 544 | Worm (14.5 RPM) - GE |
| 9 | V 785 501 048 | Gear Cage WEST | 21a | V 785 501 300 | Shim * | 37 | V 785 502 008 | Shaft National Motor, Combo |
| 10 | V 785 501 050 | Cage w/Spndle Brngs GE | 21b | V 785 501 302 | Shim Set Bearing Cap * | 41 | V 785 502 055 | Gear and Shaft, Combo Motor |
| 11 | V 785 501 067 | Cap-Worm Shaft Seal G.E. | 23 | V 785 501 305 | Shims IB Wrm Brng 12.1&14.53RPM GE * | 42 | V 785 502 085 | Shaft National Motor, Back End |
| | | | 23a | V 785 501 312 | Shims OB Wheel Bearing * | 43 | V 809 839 080 | Cap Screw-Seal Cap G.E. & WEST * |
| | | | 24 | V 785 501 336 | Spacer Worm OB 12.1&14.53RPM GE * | 44 | V 838 669 002 | Flexloc Nut G.E. & WEST * |
| | | | 25 | V 785 501 337 | Worm Spacer Small - WEST * | 45 | V 907 200 600 | Key, Worm G.E. & WEST * |
| | | | 26 | V 785 501 338 | Spacer Worm IB 12.1&14.53RPM GE * | 46 | V 907 201 700 | Sun Gear Key * |
| | | | | | | 47 | V 907 201 800 | Key, Wheel G.E. * |
| | | | | | | 48 | V 951 138 000 | Lock Washer Seal Cap-G.E. & WEST |

*Not Shown

Bold faced parts denote a Vantage value added engineering improvement - contact your distributor for details.

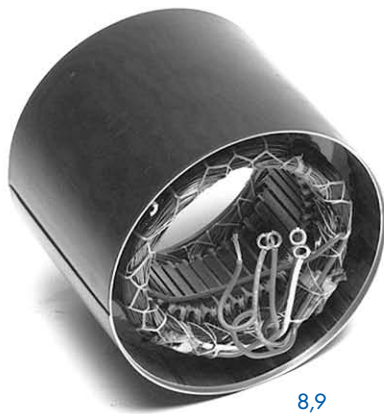
Motors, Gearboxes & Stators for 82-70 Applications.

It's about time! The time it takes to send motors, gearboxes and other components in for exchange, replacement or repair. Now you can buy the assembly you need and install it yourself. No waiting, No down-time, No hassle!! Our gearbox is made at our plant in Denver, Colorado and assembled with components made

in the USA to original specifications. Our motors and stators are designed to interchange with Westinghouse original gearboxes and components, and are available in 110V/60HZ and 220V/50HZ. Complete Vantage gearboxes are also available in 110V/60HZ and 220V/50HZ in both 14.5 and 12.1 RPM outputs.



Motor Crank
V 030 003 943



Order Part #'s
(5) - V 070 100 508-P 115V/60HZ
(7) - V 070 100 509-P 230V/50HZ
With plug and receptacle attached.

| Part # | Description |
|--------|--|
| 1 | V 000 025 590 Housing |
| 2 | V 000 027 655 Male Receptacle 5 Prong |
| 3 | V 070 006 219 Motor & Gearbox 230V/50HZ Combo, 14.5 RPM Output |
| 4 | V 070 100 508 Motor 115V/60HZ Combo |
| 5 | V 070 100 508-P Motor and Plug Assembly 115V/60HZ |

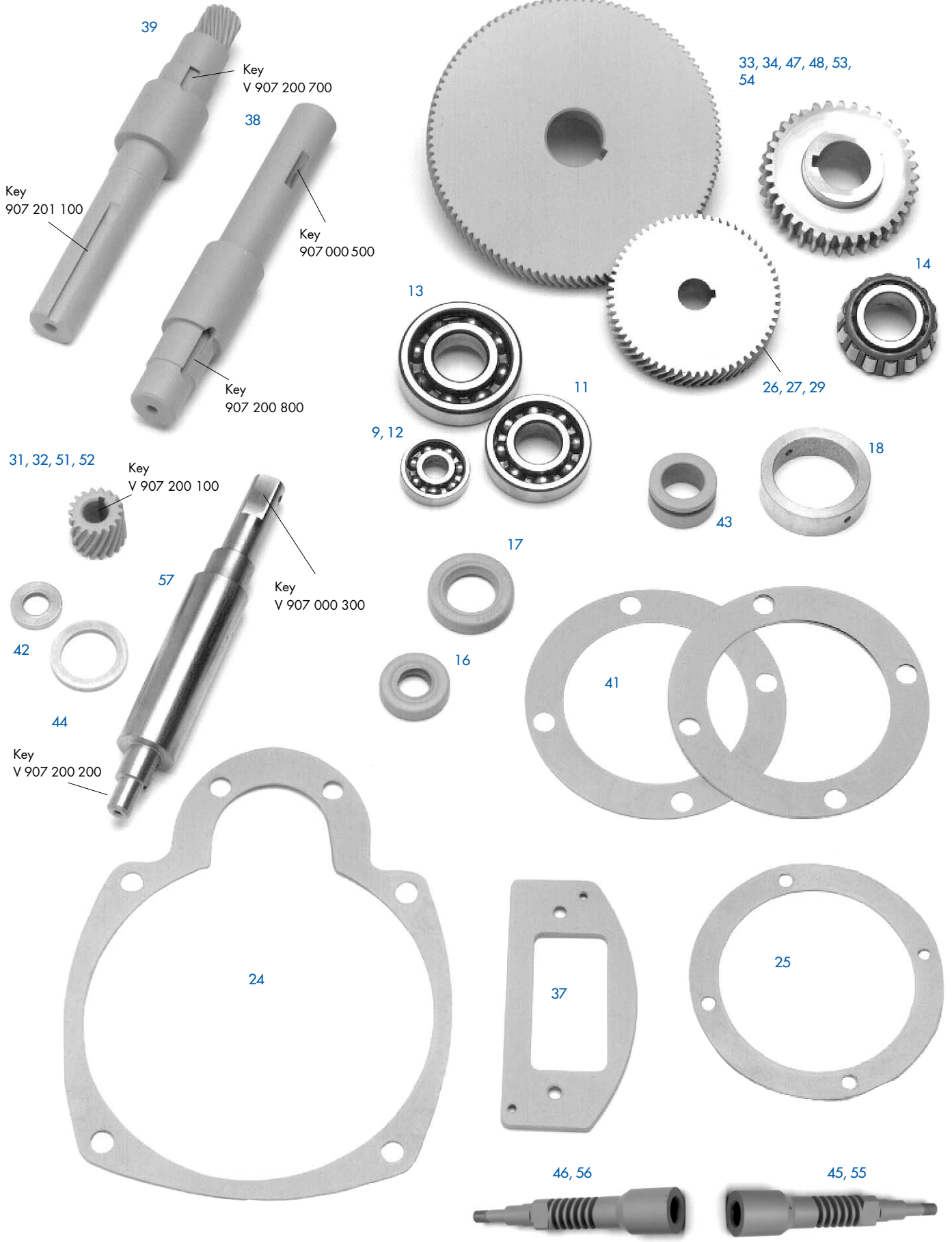
| Part # | Description |
|--------|---|
| 6 | V 070 100 509 Motor 230V/50HZ Combo |
| 7 | V 070 100 509-P Motor and Plug Assembly 230V/50HZ |
| 8 | V 070 100 511 Stator Only 230V/50HZ Combo |
| 9 | V 070 100 512 Stator Only 115V/60HZ Combo |

| Part # | Description |
|--------|--|
| 9a | V 070 100 512 K Stator & End Ball Kit 115V/60HZ |
| 10 | V 610 704 052 Motor & Gearbox 115V/60HZ Combo, 12.1 RPM Output |
| 11 | V 785 501 031 End Bell 70 Combo WEST |

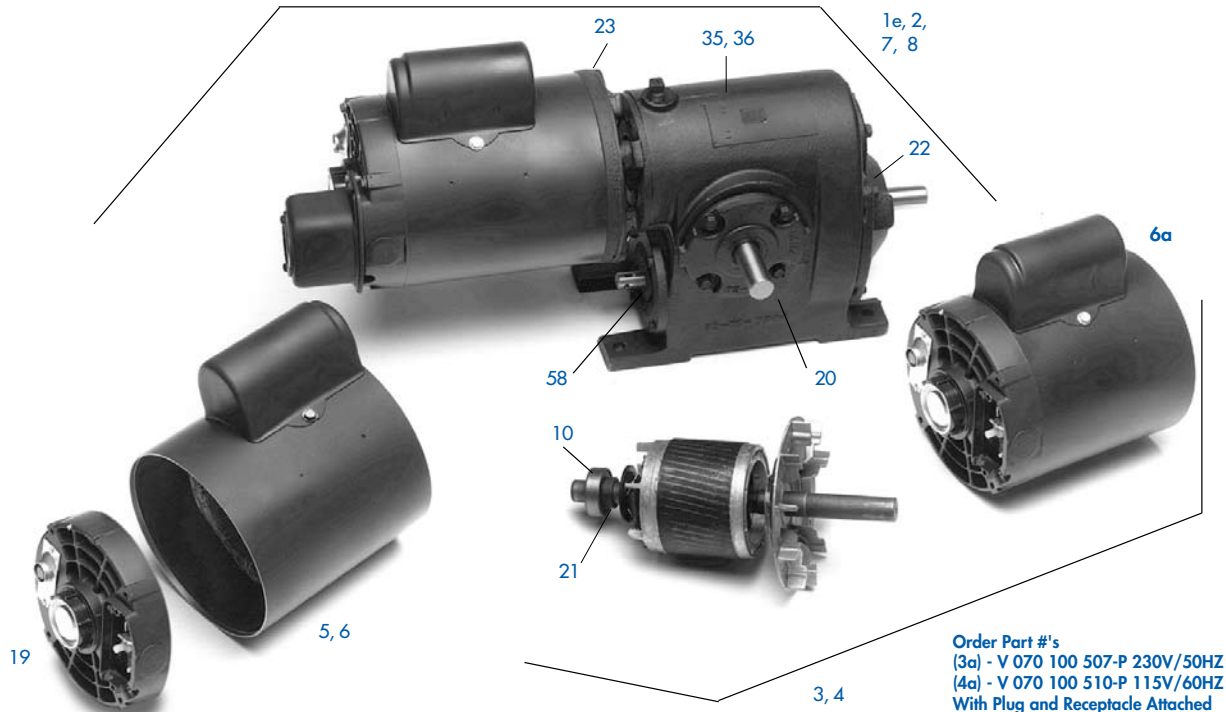


Popular Replacement Keys are Identified

28, 30, 49, 50



Backend Motors, Gearboxes & Stators for 82-70 Westinghouse / A. O. Smith Applications.



| Part # | Description |
|-----------|---|
| 1 | V 070 002 010 Drip Pan |
| 1a | V 070 002 074 Motor Mount Bracket R.H. Rear |
| 1b | V 070 002 084 Motor Mount Bracket R.H. Front |
| 1c | V 070 002 212 Motor Mount Bracket L.H. Rear |
| 1d | V 070 002 214 Motor Mount Bracket L.H. Front |
| 1e | V 070 006 211 B.E. Motor & Gearbox 50HZ L.H. shown |
| 2 | V 070 006 212 B.E. Motor & Gearbox 50HZ R.H. |
| 2a | V 070 006 230 New B.E. Motor Head RH 50 HZ. |
| 2b | V 070 006 231 New B.E. Motor Head LH 50 HZ. |
| 3 | V 070 100 507 Motor 230V/50HZ B.E. |
| 3a | V 070 100 507-P Motor and Plug Assembly 230V/50HZ |
| 4 | V 070 100 510 Motor 115V/60HZ B.E. |
| 4a | V 070 100 510P Motor and Plug Assy. 115V/60HZ |
| 5 | V 070 100 513 Stator Only 230V/50HZ B.E. |
| 6 | V 070 100 514 Stator Only 115V/60HZ B.E. |
| 6a | V 070 100 514-K Stator & End Ball Kit 115V/60HZ B.E. |
| 7 | V 610 704 042 B.E. Motor & Gearbox 60HZ L.H. shown |
| 8 | V 610 704 043 B.E. Motor & Gearbox 60HZ R.H. |
| 9 | V 701 011 003 Bearing Dist. Shaft IB |
| 10 | V 701 020 091 Bearing, Motor O.P.E. |
| 11 | V 701 021 008 Bearing |
| 12 | V 701 025 003 Bearing |
| 13 | V 701 025 011 Bearing |

| Part # | Description |
|--------|--|
| 14 | V 701 224 030 Bearing |
| 15 | V 716 501 009 Seal, Worm Shaft (Not Shown) |
| 16 | V 716 503 022 Seal |
| 17 | V 716 503 023 Seal |
| 18 | V 785 501 014 Bushing - A.O. Smith |
| 19 | V 785 501 015 End Bell - 70 B.E. A.O. Smith |
| 20 | V 785 501 066 Wheel Cap |
| 21 | V 785 501 079 Collar |
| 22 | V 785 501 095 Cover |
| 23 | V 785 501 104 Adaptor |
| 24 | V 785 501 106 Gasket |
| 25 | V 785 501 108 Gasket - Distributor Cap |
| 26 | V 785 501 117 Gear Distributor Output Y17&Y18 G.E. |
| 27 | V 785 501 122 Gear Distributor Output Y11&Y12 G.E. |
| 28 | V 785 501 124 Gear - Offset Output R.H. 60HZ |
| 29 | V 785 501 125 Gear Distributor Output - WEST 50HZ & 60HZ |
| 30 | V 785 501 126 Gear, Offset Output L.H. 60HZ |
| 31 | V 785 501 131 Gear, Offset Pinion L.H. 60HZ |
| 32 | V 785 501 132 Gear, Offset Pinion R.H. 60HZ |
| 33 | V 785 501 146 Gear Wheel LH - G.E. |
| 34 | V 785 501 147 Gear Wheel RH - G.E. |
| 35 | V 785 501 177 Housing R.H. |
| 36 | V 785 501 178 Housing L.H. |
| 37 | V 785 501 208 Adaptor Plate |

| Part # | Description |
|--------|--|
| 38 | V 785 501 297 Shaft 50HZ & 60HZ G.E. & WEST |
| 39 | V 785 501 298 Wheel Shaft Output 50HZ & 60HZ |
| 40 | V 785 501 308 Shims, IB - Wheel Bearing * |
| 41 | V 785 501 310 Shim Set OB Wheel Bearing |
| 42 | V 785 501 331 Spacer, Distributor Output Shaft |
| 43 | V 785 501 342 Spacer, Worm Shaft |
| 44 | V 785 501 398 Washer |
| 45 | V 785 501 430 Gear, Worm & Shaft L.H. 60HZ (Even) |
| 46 | V 785 501 431 Gear, Worm & Shaft R.H. 60HZ (Odd) |
| 47 | V 785 501 434 Gear Wheel RH - WEST |
| 48 | V 785 501 439 Gear Wheel LH - WEST |
| 49 | V 785 501 514 Gear, Offset Output L.H. 50HZ |
| 50 | V 785 501 515 Gear, Offset Output R.H. 50HZ |
| 51 | V 785 501 516 Gear, Offset Pinion L.H. 50HZ |
| 52 | V 785 501 517 Gear, Offset Pinion R.H. 50HZ |
| 53 | V 785 501 525 Gear Wheel L.H. 50HZ |
| 54 | V 785 501 526 Gear Wheel R.H. 50HZ |
| 55 | V 785 501 551 Gear Worm & Shaft L.H. 50HZ |
| 56 | V 785 501 552 Gear Worm & Shaft R.H. 50HZ |
| 57 | V 785 501 621 Shaft Distributor Output - G.E. & WEST |
| 58 | V 785 501 662 Cap, Distributor Output |

* Part not shown



Frozen Bearings? Excessive Shaft Wear? Try Our "D" Bore Conversion Kits!



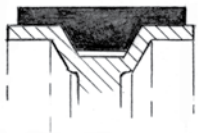
WRONG #1

A wide deep pulley with a narrow shallow belt will cause a cupping effect to the belt. This will cause the "V" to separate from the flat part of the belt.



WRONG #2

A narrow shallow pulley with a wide deep belt will cause a crowning effect. This will cause the belts to run off the pulleys and throw bowling balls to one side or the other.



RIGHT

When the Pulleys and Ball Lift Belts are matched it allows for proper tracking of the Belt. This will substantially increase the belt life and improve the belts driving capabilities. The proper tracking to the bowling ball will keep the Ball Lift Assembly returning balls for years.



62 Upper Shaft "D" Bore Conversion Kit. (Assembled)

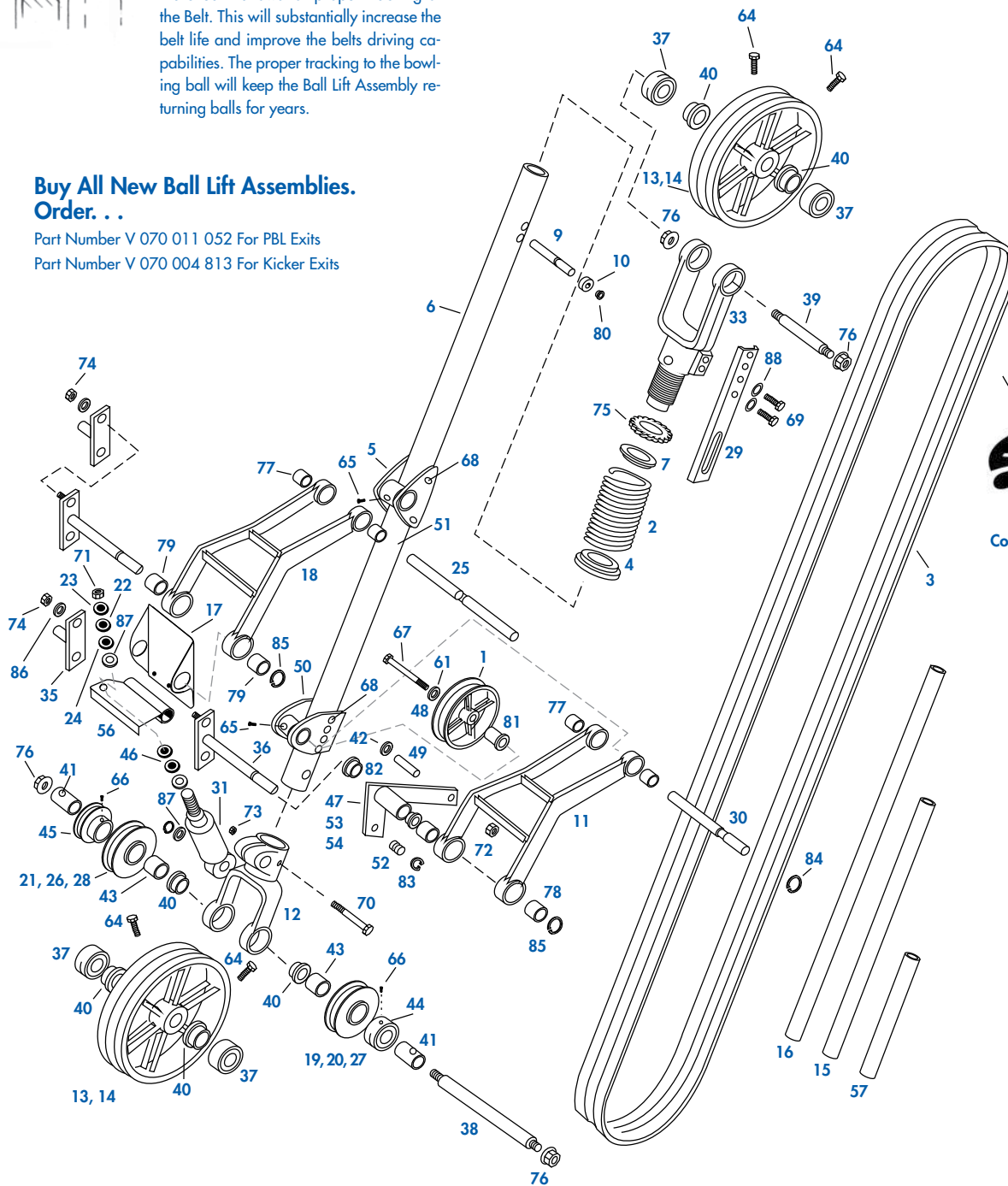


63 Lower Shaft "D" Bore Conversion Kit. (Disassembled)

Buy All New Ball Lift Assemblies. Order . . .

Part Number V 070 011 052 For PBL Exits

Part Number V 070 004 813 For Kicker Exits



Consult page 6



Out Of Time? Here's A Solution For Quick Easy Ball Lift Maintenance... Pre-assembled Upper And Lower Yoke Assemblies.

Here's the solution, buy the Upper and Lower Yoke Assembly complete. Take the hassles out of trying to get these done when you're in a hurry, just replace it and go back and rebuild them when time permits. Great for those summer time projects.

Order Part Number:

- V 000 024 659 A** Lower Yoke Assembled - PBL's
V 000 024 659 AK Lower Yoke Assembled - KICKERS
V 070 001 995 A Upper Yoke Assembled - KICKERS & PBL



| Part # | Description | Part # | Description | Part # | Description |
|------------|---|------------|--|-----------|---|
| 1 | V 000 021 408 Idler Pulley Assembly | 30 | V 000 029 660 Shaft - Ball Lift | 58 | V 070 011 795 Upper Shaft "D" Bore |
| 2 | V 000 024 603 Spring | 31 | V 000 029 661 Shock Absorber | 59 | V 070 011 796 Lower Shaft "D" Bore |
| 3 | V 000 024 604 Belt, Narrow Shallow Groove | 32 | V 030 008 780 Lower Shaft, 8 3/4" Long | 60 | V 070 011 797 "D" Bore Bearing |
| 4 | V 000 024 605 Lower Retainer | 33 | V 070 001 995 Yoke Upper | 61 | V 146 005 277 Countersunk Washer |
| 5 | V 000 024 606 Support | 33a | V 070 001 995A Upper Yoke Assembled - KICKERS & PBL | 62 | V 610 704 150 Upper Shaft "D" Bore Conversion Kit |
| 6 | V 000 024 607 Tube | 34 | V 070 002 175 Lower Shaft, 8 1/2" Long | 63 | V 610 704 151 Lower Shaft "D" Bore Conversion Kit |
| 7 | V 000 024 608 Upper Retainer | 34a | V 070 004 813 Ball Lift Assembly for Kicker Exits | 64 | V 806 265 160 Square Head Set Screw |
| 8 | V 000 024 645 Upper Shaft | 35 | V 070 006 320 Shaft Ball Lift Adj. 9 1/2"-11" | 65 | V 807 265 060 Socket Head Set Screw |
| 9 | V 000 024 648 Pivot Pin | 36 | V 070 006 325 Shaft Ball Lift Fix, 9 1/2"-11" | 66 | V 807 265 080 Socket Head Set Screw |
| 10 | V 000 024 650 Roller Assembly | 37 | V 070 006 699 Ball Bearing | 67 | V 808 849 565 Flat Head Socket Screw |
| 11 | V 000 024 651 Link Assembly Lower | 38 | V 070 006 746 Lower Shaft | 68 | V 809 849 365 Hex Head Cap Screw |
| 12 | V 000 024 659 Yoke Lower | 39 | V 070 006 747 Upper Shaft | 69 | V 809 865 165 Hex Head Cap Screw |
| 12a | V 000 024 659A Lower Yoke Assembled - PBL's | 40 | V 070 006 748 Clutch Spacer | 70 | V 809 865 445 Hex Head Cap Screw |
| 12b | V 000 024 659AK Lower Yoke Assembled - KICKERS | 41 | V 070 006 749 Clutch Race | 71 | V 831 566 002 Hex Nut |
| 13 | V 000 024 661 Belt Pulley for part | 42 | V 070 007 192 Washer | 72 | V 839 549 002 Flexloc Nut |
| 14 | V 000 024 661-5 Belt Pulley for part # 3 | 43 | V 070 007 291 Clutch Bearing | 73 | V 839 665 002 Flexloc Nut |
| 15 | V 000 024 663 Upper Track Cover, Urethane | 44 | V 070 008 210 Sheave | 74 | V 840 057 002 Flexloc Nut |
| 16 | V 000 024 663-4 Complete Track Cover 55" Long | 45 | V 070 008 211 Sheave | 75 | V 845 100 000 Bearing Locknut |
| 17 | V 000 024 716 Spring Holder | 46 | V 070 008 212 Spacer | 76 | V 856 070 002 Flange Nut |
| 18 | V 000 024 720 Link Assembly Upper | 47 | V 070 008 215 Belt Tightener Weldment | 77 | V 900 110 121 Sleeve Bushing |
| 19 | V 000 024 811 Ball Return Pulley 5" R.H. | 48 | V 070 008 217 Spacer | 78 | V 900 112 161 Sleeve Bushing |
| 20 | V 000 024 811-2 Sheave - Ball Lift 5" | 49 | V 070 008 218 Spacer | 79 | V 900 112 203 Sleeve Bushing |
| 21 | V 000 024 812 Ball Return Pulley 5" L.H. | 50 | V 070 011 002 Support | 80 | V 900 206 081 Flange Bushing |
| 22 | V 000 027 996 Rubber Cushion | 51 | V 070 011 004 Tube and Support Assembly | 81 | V 900 208 161 Flange Bushing |
| 23 | V 000 027 998 Retainer | 52 | V 070 011 040 Roller | 82 | V 900 212 161 Flange Bushing |
| 24 | V 000 028 057 Cushion Guide Retainer | 53 | V 070 011 041 Belt Tightener Weldment Assembly | 83 | V 919 005 200 Retaining Ring |
| 25 | V 000 028 737 Pivot Shaft | 54 | V 070 011 042 Belt Tightener Assembly, Complete | 84 | V 919 005 600 Retaining Ring |
| 26 | V 000 028 771 Sheave-Ball Lift 4" | 55 | V 070 011 052 Ball Lift Assembly | 85 | V 919 005 800 Retaining Ring |
| 27 | V 000 028 772 Ball Return Pulley 4" R.H. | 56 | V 070 011 289 Shock Absorber Bracket | 86 | V 948 761 112 Washer |
| 28 | V 000 028 773 Ball Return Pulley 4" L.H. | 57 | V 070 011 440 Lower Track Cover, Urethane | 87 | V 948 983 212 Washer |
| 29 | V 000 029 613 Rail | | | 88 | V 951 164 002 Lock Washer- |

Bold faced parts denote a Vantage value added engineering improvement - contact your distributor for details.



VANTAGE NOW HAS 8 KICKER ROLLERS AND NEW REACTIVE RESIN BALLS!

2 Formulas:

Black

Red Blaster Red

High Friction surface to grip balls under all oiling conditions. Soft enough to conform to the shape of any ball. Specially formulated

for new "Reactive Resin" bowling balls. Softest kicker rollers available, yet offer excellent wear.

And 5 Shapes:

1 Full Contact
 V 000 022 080-2 Black
 V 000 022 080-6 "Red Blaster"

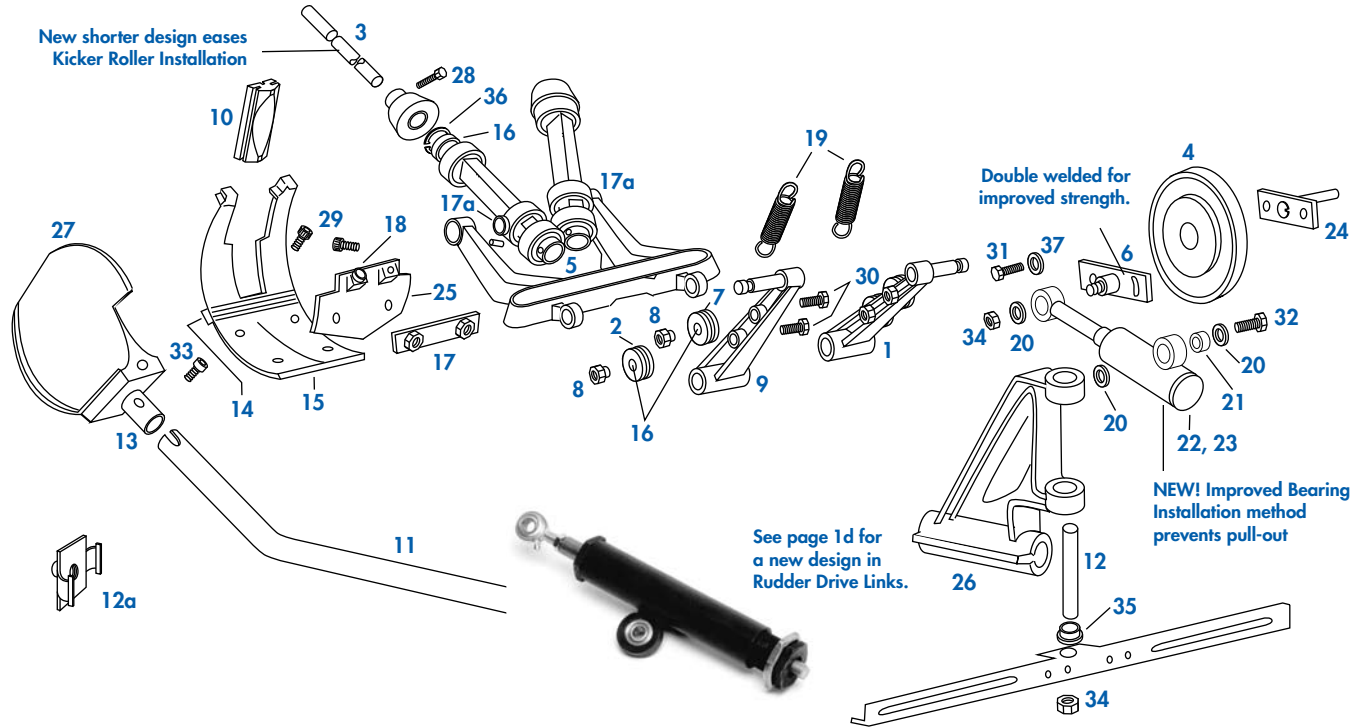
2 The Football
 V 000 022 080-1 Black
 V 000 022 080-5 "Red Blaster"

3 Traditional Round
 V 000 022 080 Black
 V 000 022 080-4 "Red Blaster"

4 Fat Boy
 V 000 022 080-9 Black
 V 000 022 080-10 "Red Blaster"

5 Red Lighting

V 000 022 080-112 For Even Machines
 V 000 022 080-111 For Odd Machines



| Part # | Description |
|--------|-------------|
|--------|-------------|

| | |
|------------|--|
| 1 | V 000 021 407 Idler Arm Assembly R.H. |
| 2 | V 000 021 417 Idler Roller Assembly, Flat Bottom |
| 3 | V 000 022 077 Kicker Roller Drive Shaft |
| 4 | V 000 022 079 Pulley |
| 5 | V 000 022 082 Pulley |
| 6 | V 000 022 092 Crank Plate Weldment |
| 7 | V 000 022 096 Idler Roller Assembly, "V" Grooved |
| 8 | V 000 022 173 Special Nut |
| 9 | V 000 022 218 Idler Arm Assembly L.H. |
| 10 | V 000 024 612 Starter Pad |
| 11 | V 000 024 614 Rudder Arm |
| 12 | V 000 024 615 Shaft |
| 12a | V 000 024 618 Nut Carriage Assembly |

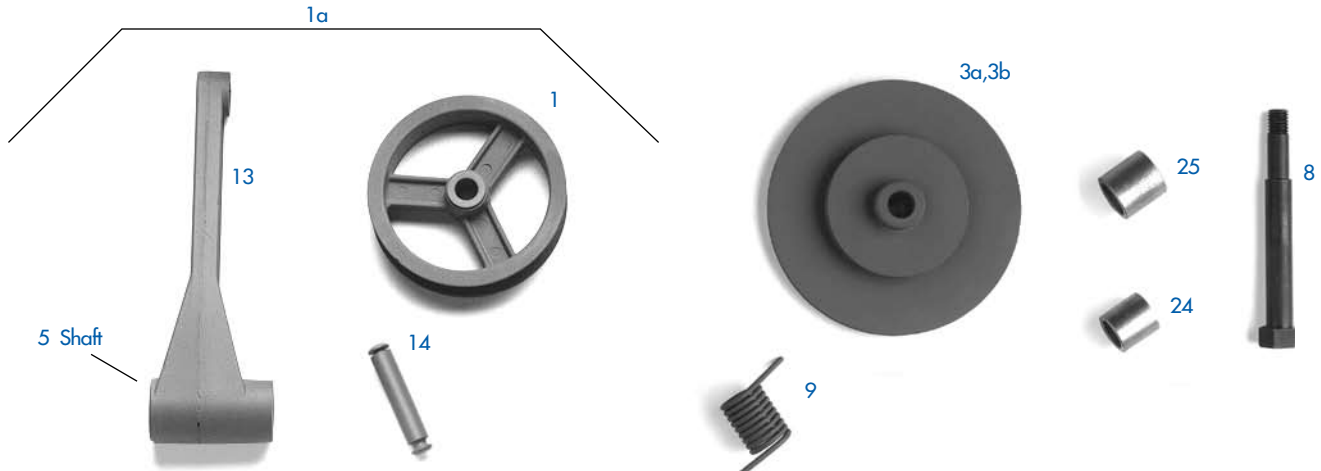
| Part # | Description |
|--------|-------------|
|--------|-------------|

| | |
|------------|--|
| 13 | V 000 024 622 Plug |
| 14 | V 000 024 628 Ball Return Assembly Pad |
| 15 | V 000 024 678 Front Filler Pad |
| 16 | V 000 024 679 Bearing |
| 17 | V 000 024 745 Nut Plate |
| 17a | V 000 025 621 Sleeve Bearing |
| 18 | V 000 025 638 Bumper |
| 19 | V 000 029 601 Spring |
| 20 | V 000 029 611 Uniball Washer |
| 21 | V 000 029 614 Uniball |
| 22 | V 000 029 671 Rudder Drive Link |
| 23 | V 000 029 671-A Adjustable Rudder Drive Link |
| 24 | V 000 029 695 Crank Shaft Weldment |

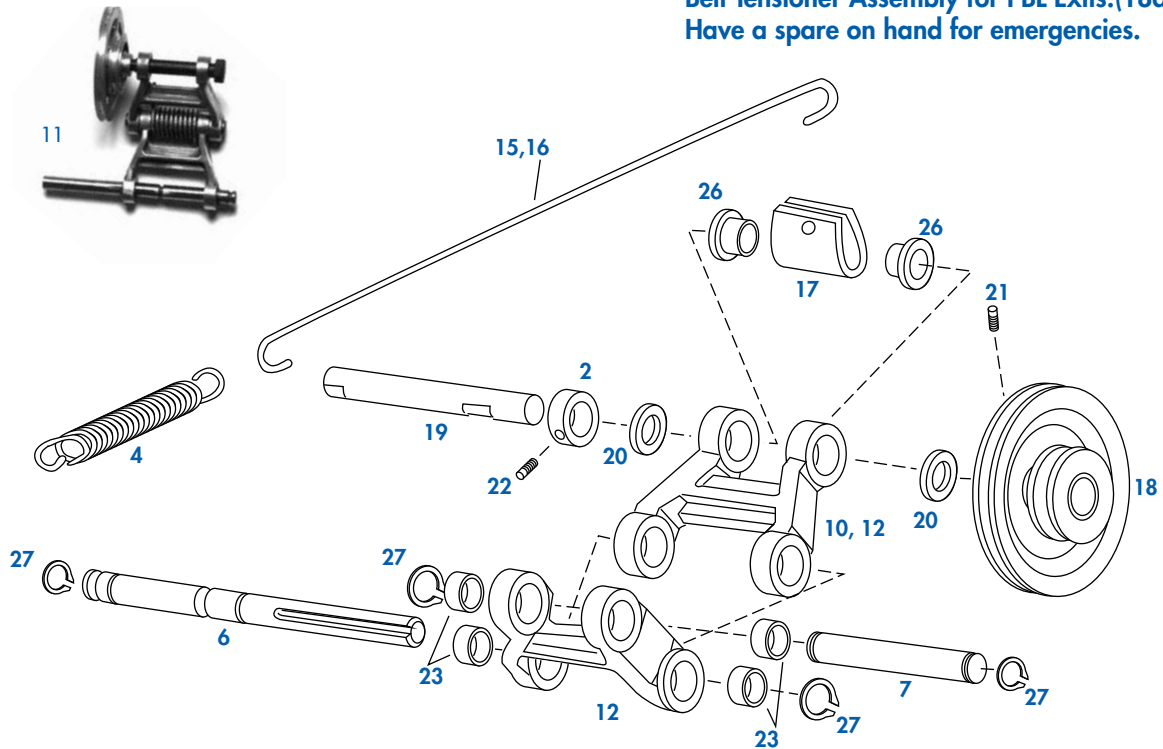
| Part # | Description |
|--------|-------------|
|--------|-------------|

| | |
|-----------|--------------------------------------|
| 25 | V 000 029 959 Rear Filler Pad |
| 26 | V 070 004 630 Rudder Arm Support |
| 27 | V 070 011 408 Urethane Paddle |
| 28 | V 806 657 080 Set Screw |
| 29 | V 808 957 160 Flat Head Socket Screw |
| 30 | V 809 849 145 Hex Head Cap Screw |
| 31 | V 809 857 205 Hex Head Cap Screw |
| 32 | V 809 865 245 Hex Head Cap Screw |
| 33 | V 809 865 405 Hex Head Cap Screw |
| 34 | V 839 665 002 Flexloc Nut |
| 35 | V 900 212 201 Flange Bushing |
| 36 | V 919 005 600 Retaining Ring |
| 37 | V 948 761 112 Washer |

V 000 021 409 Belt Tightener Assembly



V 070 011 132
Belt Tensioner Assembly for PBL Exits.(18a)
 Have a spare on hand for emergencies.



| Part # | Description | Part # | Description | Part # | Description |
|-----------|--|------------|---|--------|---|
| 1 | V 000 021 408 Idler Pulley Assembly | 9 | V 000 029 609 Spring | 19 | V 070 011 133 Shaft |
| 1a | V 000 021 409 Belt Tightener Assembly | 11 | V 000 029 657 Belt Tensioner Assembly for Kicker Exits | 20 | V 701 320 045 Thrust Washer |
| 2 | V 000 021 423 Collar (With Set Screw) | 12 | V 000 029 659 Hanger Arm Assembly | 21 | V 807 257 060 Socket Head Set Screw |
| 3a | V 000 022 063 Pulley | 13 | V 070 001 411 Idler Arm Assembly | 22 | V 807 357 040 Socket Head Set Screw |
| 3b | V 000 022 064 Pulley Underdrive | 14 | V 070 002 072 Idler Shaft | 23 | V 900 110 081 Sleeve Bushing |
| 4 | V 000 026 031 Spring | 15 | V 070 011 034 Extension Rod | 24 | V 900 110 141 Sleeve Bushing, for old style Belt Tensioners |
| 5 | V 000 029 603 Shaft for V 070 011 411 Idler Arm Assembly | 16 | V 070 011 106 Spring Extension | 25 | V 900 110 161 Sleeve Bushing, for old style Belt Tensioners |
| 6 | V 000 029 605 Shaft | 17 | V 070 011 109 Spring Clip | 26 | V 900 210 101 Flange Bushing |
| 7 | V 000 029 606 Pivot Shaft-Short | 18 | V 070 011 131 Pulley | 27 | V 919 005 600 Retaining Ring |
| 8 | V 000 029 608 Shaft | 18a | V 070 011 132 Belt Tensioner Assy. for PBL Exits | | |



Vantage Makes All the Parts You Need to Service Light Ball Sensors

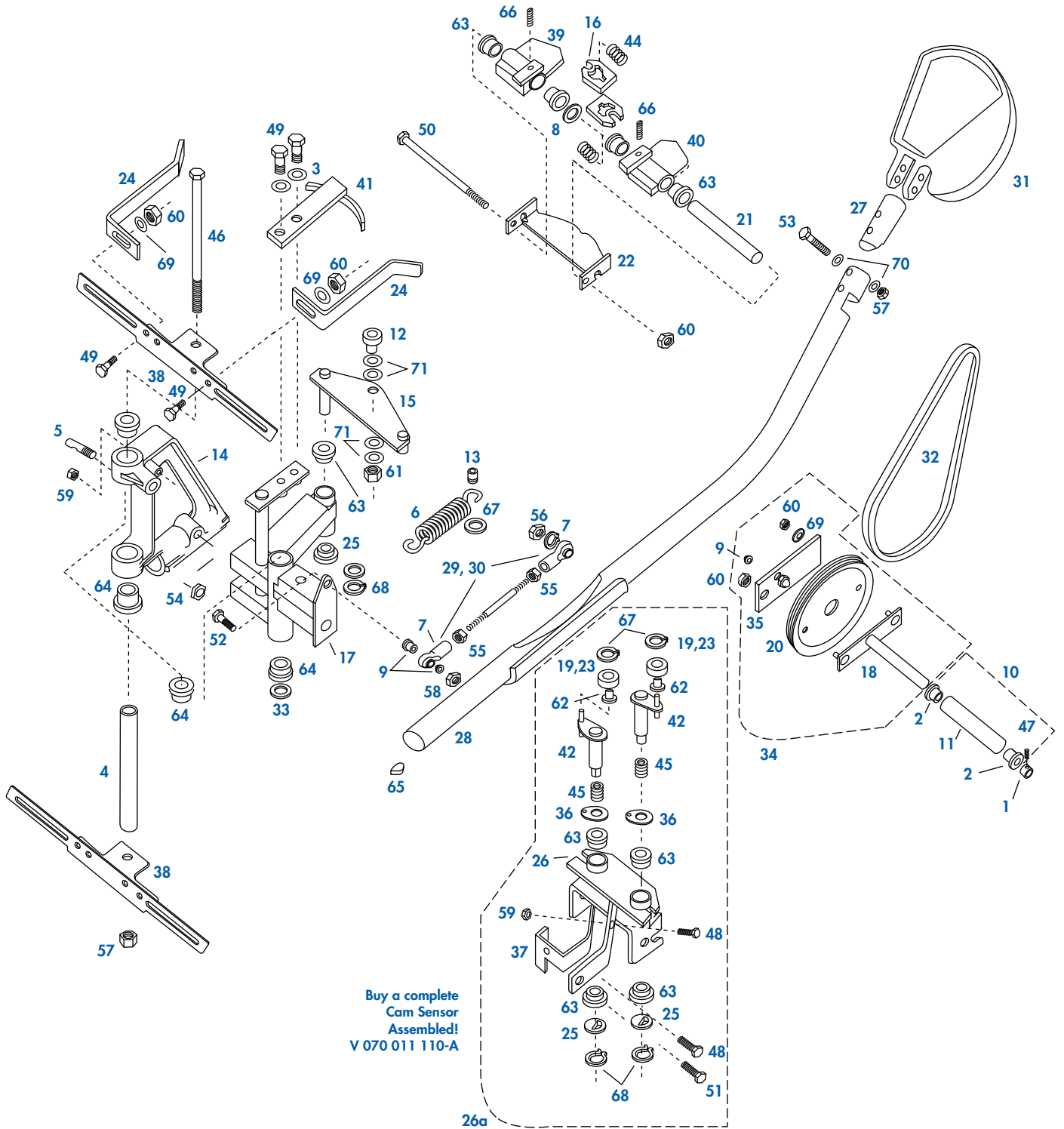


| Part # | Description |
|--------|---|
| 1 | V 000 021 423 Collar (With Set Screw) |
| 2 | V 000 021 427 Flange Bushing |
| 3 | V 000 022 869 Washer |
| 4 | V 000 024 615 Shaft |
| 5 | V 000 024 616 Clamp Stud |
| 6 | V 000 026 031 Spring |
| 7 | V 000 026 446 Rod End |
| 8 | V 000 027 264 Spacer |
| 9 | V 000 029 611 Uniball Washer |
| 10 | V 000 029 696 Tube Adjustment Assembly |
| 11 | V 000 029 697 Tube |
| 12 | V 070 006 728 Cam Follower |
| 13 | V 070 011 040 Roller |
| 14 | V 070 011 066 Rudder Arm Support Assembly |
| 15 | V 070 011 068 Link Weldment |
| 16 | V 070 011 077 Trip Finger |
| 17 | V 070 011 080 Rudder Drive Assembly |
| 18 | V 070 011 092 Crank Shaft Weldment |
| 19 | V 070 011 096 Roller |
| 20 | V 070 011 097 Crank Pulley |
| 21 | V 070 011 098 Sleeve |
| 22 | V 070 011 099 Cam |
| 23 | V 070 011 105 Roller Assembly |
| 24 | V 070 011 107 Trip Arm |
| 25 | V 070 011 108 Washer |

| Part # | Description |
|-----------|--|
| 26 | V 070 011 110 Cam Sensor Assembly |
| 26a | V 070 011 110-A Cam Sensor Assembled |
| 27 | V 070 011 121 Plug |
| 28 | V 070 011 122 Rudder Arm |
| 29 | V 070 011 123 Rod Assembly |
| 30 | V 070 011 124 Rod |
| 31 | V 070 011 146 PBL Paddle |
| 32 | V 070 011 147 PBL Rudder Drive 38" |
| 33 | V 070 011 151 Spacer Rudder Drive |
| 34 | V 070 011 178 Rudder Drive Crank Assembly |
| 35 | V 070 011 225 Crank Adjustment Plate Weldment |
| 36 | V 070 011 273 Tab |
| 37 | V 070 011 299 Brace Sensor |
| 38 | V 070 011 319 Rudder Arm Support |
| 39 | V 070 011 406 RudderCam Weldment Assembly R.H. |
| 40 | V 070 011 407 RudderCam Weldment Assembly L.H. |
| 40a | V 070 011 408 Urethane paddle |
| 41 | V 070 011 418 Cam Weldment |
| 42 | V 070 011 626 Trip Arm Assembly |
| 43 | V 610 700 122 Light Ball Sensor Assembly |
| 44 | V 722 971 522 Spring |
| 45 | V 722 985 512 Spring |
| 46 | V 802 865 996 Hex Head Bolt |
| 47 | V 807 357 040 Socket Head Set Screw |
| 48 | V 809 849 145 Hex Head Cap Screw |

| Part # | Description |
|--------|----------------------------------|
| 49 | V 809 857 165 Hex Head Cap Screw |
| 50 | V 809 857 880 Hex Head Cap Screw |
| 51 | V 809 865 165 Hex Head Cap Screw |
| 52 | V 809 865 205 Hex Head Cap Screw |
| 53 | V 809 865 405 Hex Head Cap Screw |
| 54 | V 831 573 002 Hex Nut |
| 55 | V 835 566 002 Hex Jam Nut |
| 56 | V 838 866 002 Flexloc Nut |
| 57 | V 839 565 002 Flexloc Nut |
| 58 | V 840 065 002 Thin Flexloc Nut |
| 59 | V 844 049 002 Stover Lock Nut |
| 60 | V 844 057 002 Stover Lock Nut |
| 61 | V 844 070 002 Stover Lock Nut |
| 62 | V 900 205 081 Flange Bushing |
| 63 | V 900 208 091 Flange Bushing |
| 64 | V 900 212 201 Flange Bushing |
| 65 | V 907 000 900 Key |
| 66 | V 913 448 120 Roll Pin |
| 67 | V 919 005 200 Retaining Ring |
| 68 | V 919 005 500 Retaining Ring |
| 69 | V 948 761 112 Washer |
| 70 | V 948 767 132 Washer |
| 71 | V 949 100 002 Washer |

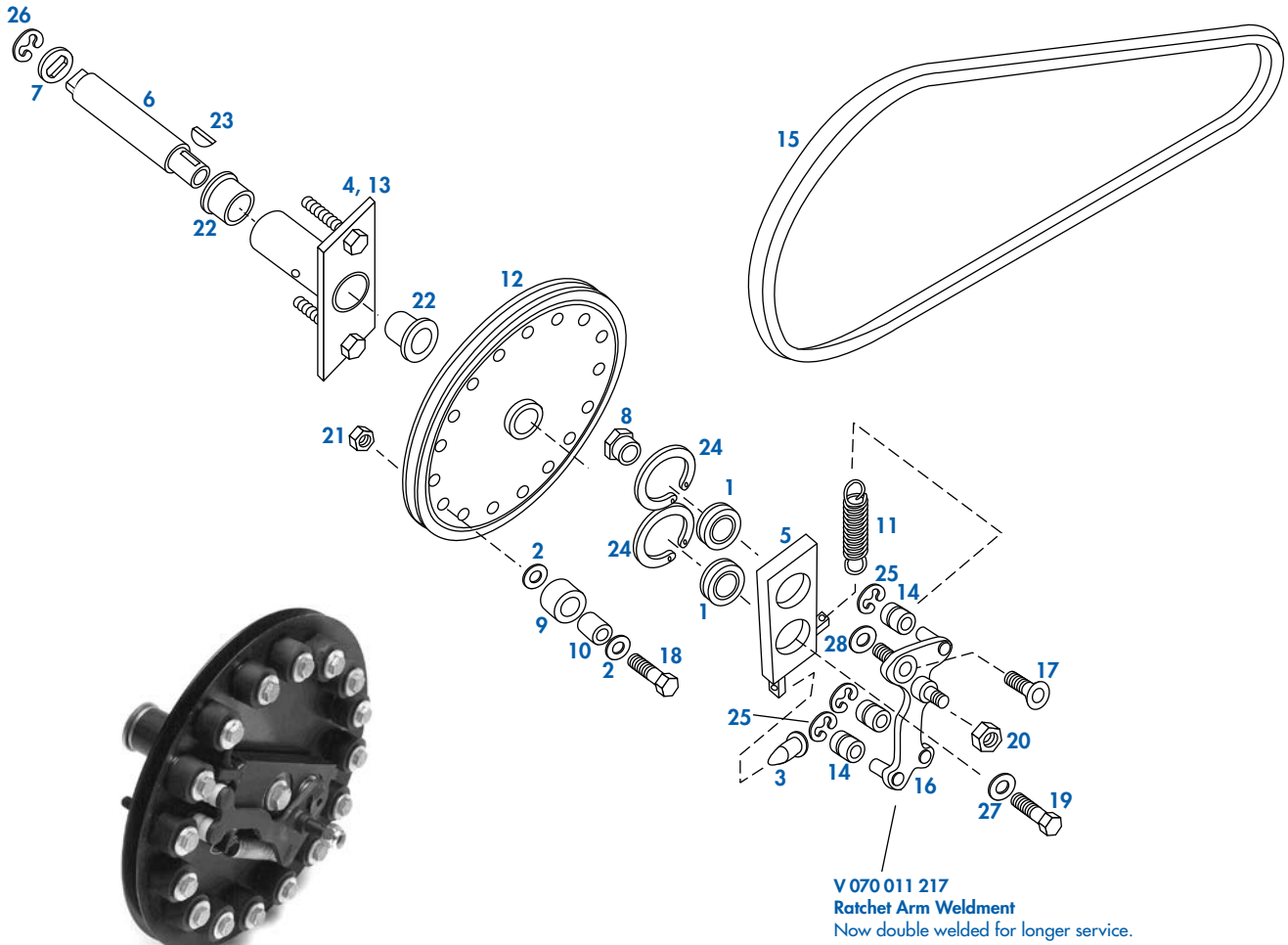
Bold faced parts denote a Vantage value added engineering improvement - contact your distributor for details.



**Order A Complete Assembly, Ready To Install
V 610 700 122 Light Ball Sensor Assembly**



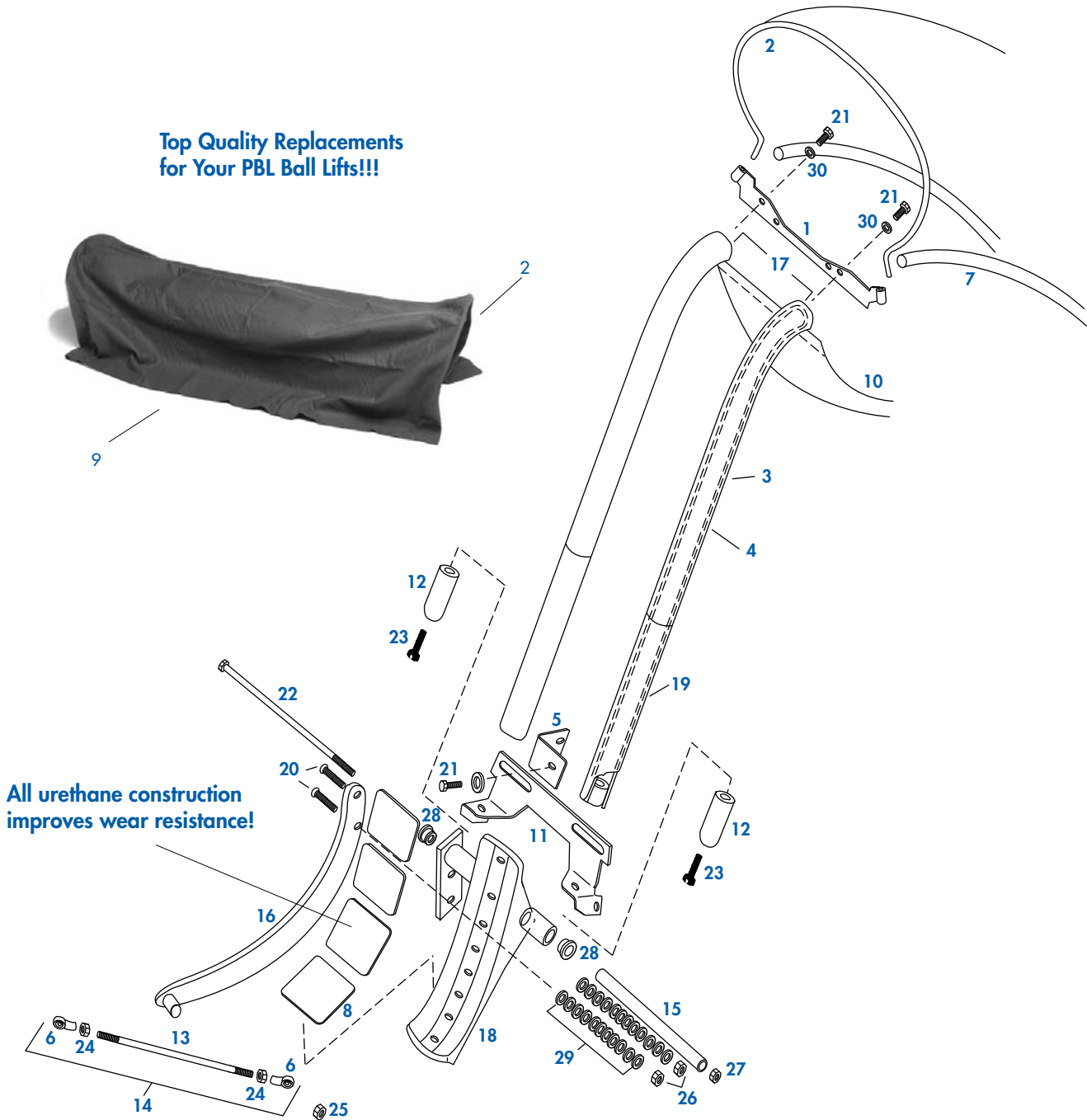
Ratchet Drive Assembly



Buy a complete Ratchet Drive Assembly
order Part # V 070 011 039

| Part # | Description | Part # | Description | Part # | Description |
|--------|--------------------------------------|------------|---|--------|------------------------------|
| 1 | V 000 024 679 Bearing | 11 | V 070 011 032 Spring | 22 | V 900 212 161 Flange Bushing |
| 2 | V 000 026 865 Washer | 12 | V 070 011 033 Pulley Ratchet | 23 | V 907 000 200 Key |
| 3 | V 070 006 142 Bumper | 13 | V 070 011 036 Bearing and Housing Assembly | 24 | V 919 000 600 Retaining Ring |
| 4 | V 070 011 009 Housing | 13a | V 070 011 039 Ratchet Drive Assembly | 25 | V 919 005 200 Retaining Ring |
| 5 | V 070 011 013 Crank Weldment | 14 | V 070 011 040 Roller | 26 | V 919 005 800 Retaining Ring |
| 6 | V 070 011 027 Shaft-Ratchet Assembly | 15 | V 070 011 064 PBL Ratchet Drive 45" | 27 | V 948 767 132 Washer |
| 7 | V 070 011 028 Washer | 16 | V 070 011 217 Ratchet Arm Weldment | 28 | V 948 964 142 Washer |
| 8 | V 070 011 029 Nut Ratchet | 17 | V 808 865 140 Flat Head Socket Screw | | |
| 9 | V 070 011 030 Roller | 18 | V 809 849 205 Hex Head Cap Screw | | |
| 10 | V 070 011 031 Spacer-Roller | 19 | V 809 965 125 Hex Head Cap Screw | | |
| | | 20 | V 838 866 002 Flexloc Nut | | |
| | | 21 | V 839 549 002 Flexloc Nut | | |

Top Quality Replacements
for Your PBL Ball Lifts!!!



| Part # | Description |
|--------|-------------|
|--------|-------------|

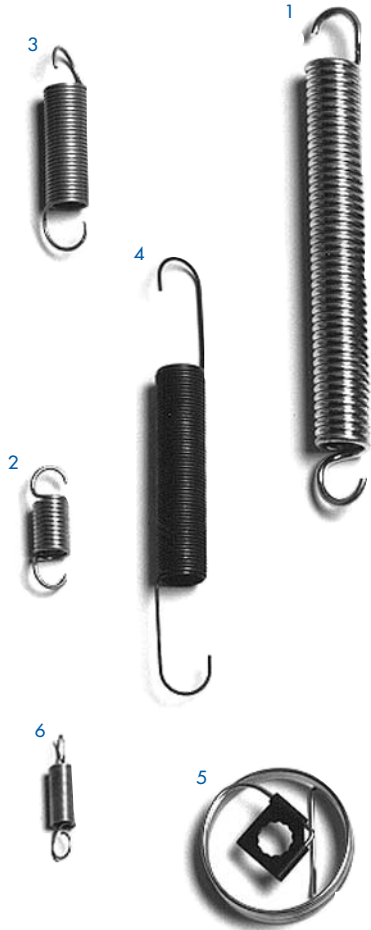
| | |
|----|--|
| 1 | V 000 021 813 Wiper Support |
| 2 | V 000 021 814 Ring |
| 3 | V 000 024 663 Upper Track Cover, Urethane |
| 4 | V 000 024 666 Track Rail Weldment |
| 5 | V 000 024 668 Track Support Bracket Weldment |
| 6 | V 000 026 446 Rod End |
| 7 | V 000 029 629 Downsweep Weldment |
| 8 | V 070 002 784 Spotting Cup Liner |
| 9 | V 070 004 669 Ball Wiper Cloth |
| 10 | V 070 004 670 Dust Trap Lower |

| Part # | Description |
|--------|-------------|
|--------|-------------|

| | |
|----|--|
| 11 | V 070 008 191 Bracket |
| 12 | V 070 011 018 Ball Guide |
| 13 | V 070 011 048 Rod |
| 14 | V 070 011 049 Rod Assembly |
| 15 | V 070 011 063 Shaft |
| 16 | V 070 011 218 Lever Arm Weldment |
| 17 | V 070 011 279 Track Assembly |
| 18 | V 070 011 412 PBL Lift Arm Assembly |
| 19 | V 070 011 440 Lower Track Cover, Urethane |
| 20 | V 808 857 280 Flat Head Socket Screw |

| Part # | Description |
|--------|-------------|
|--------|-------------|

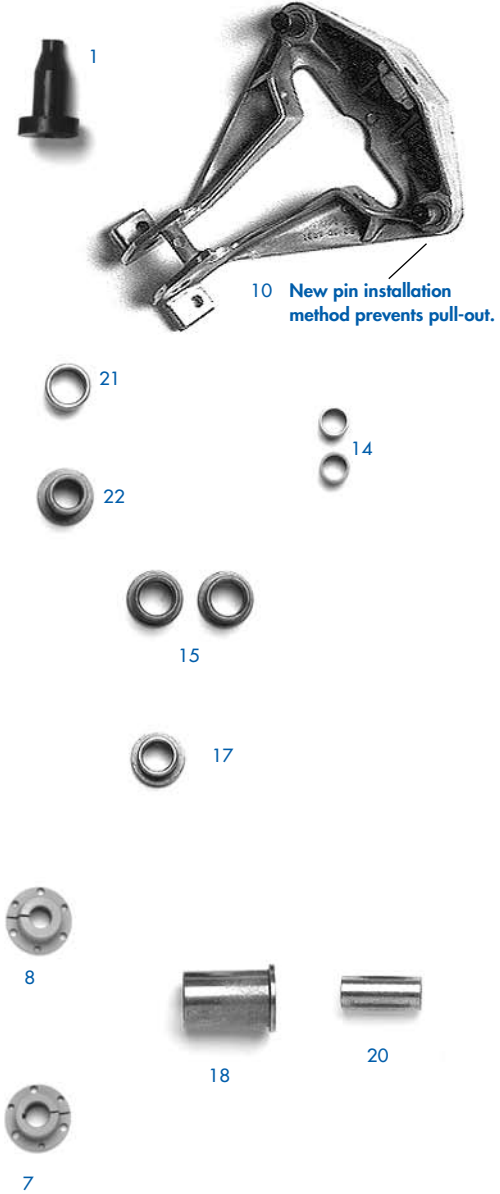
| | |
|----|--|
| 21 | V 809 865 165 Hex Head Cap Screw |
| 22 | V 809 865 992 Hex Head Cap Screw |
| 23 | V 810 365 401 Socket Head Cap Screw Long Loc |
| 24 | V 835 566 002 Hex Jam Nut |
| 25 | V 838 866 002 Flexloc Nut |
| 26 | V 844 057 002 Stover Lock Nut |
| 27 | V 844 065 002 Stover Lock Nut |
| 28 | V 900 210 161 Flange Bushing |
| 29 | V 948 767 132 Washer |
| 30 | V 951 164 002 Lockwasher |



82-30 Pin Elevator Replacements



Top Quality Replacements for 82-30 Housing Assemblies



Part # Description

Springs for 82-30 Applications

- 1 V 000 021 204 Spring
- 2 V 000 021 431 Spring - Switch Lever
- V 000 022 168 Spring
- V 000 024 657 Spring
- V 000 024 673 Spring
- 3 V 000 026 031 Spring - Belt Tensioner
- 4 V 000 026 032 Spring - Lateral Drive
- 5 V 000 028 237 Spring - Assembly Clutch
- V 000 029 202 Spring - Pin Elevator Wick
- 6 V 000 029 508 Spring - Respot Switch
- V 000 029 601 Spring - Ball Kicker
- V 000 029 609 Spring
- V 030 003 227 Spring - Latch Assembly
- V 030 003 248 Spring Pin Assembly - Clamp
- V 030 003 449 Spring Index
- V 030 003 451 Spring - Respot Latch
- V 030 003 903 Spring - Gate Assembly

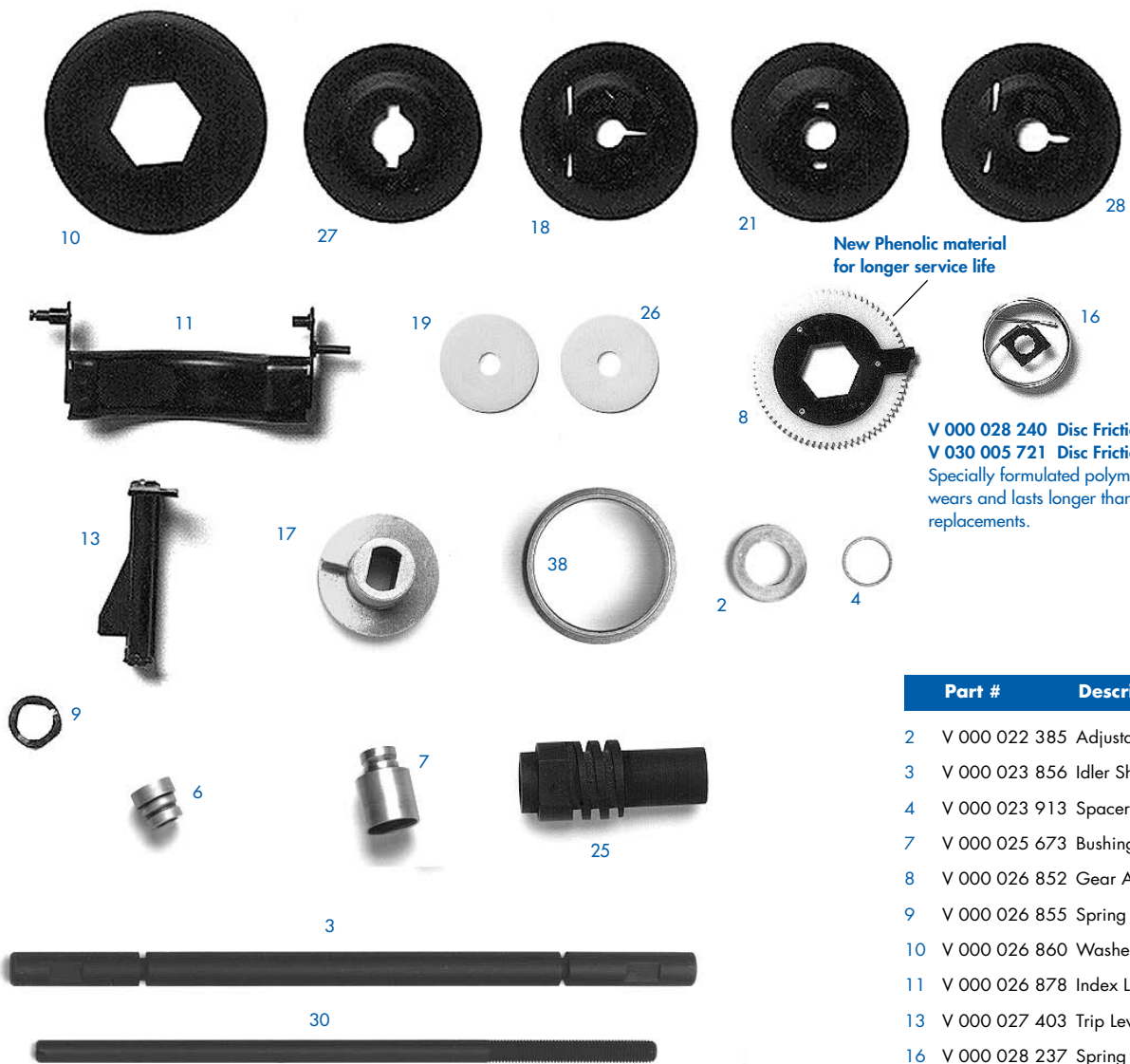
Part # Description

Pin Elevator

- 1 V 000 028 362 Plug**
- 3 V 030 001 121 Bushing
- 4 V 030 001 690 Stud
- 5 V 030 001 694 Washer
- 6 V 030 004 517 Bushing
- 7 V030 006 456 Carpet Roller Hub 7/8"
- 8 V 030 006 457 Carpet Roller Hub 3/4"
- 9 V 030 006 622 Ring Weldment
- 10 V 030 006 631 Housing**

Part # Description

- 12 V 030 006 663 Roller
- 14 V 030 007 850 Sleeve Bushing
- 15 V 030 008 166 Flange Bushing
- 17 V 701 411 086 Flange Bushing
- 18 V 701 416 087 Flange Bushing
- 19 V 900 105 061 Sleeve Bushing
- 20 V 900 105 161 Sleeve Bushing
- 21 V 900 106 041 Sleeve Bushing
- 22 V 900 205 061 Flange Bushing



New Phenolic material for longer service life

V 000 028 240 Disc Friction 37/64" I.D.
 V 030 005 721 Disc Friction 47/64" I.D.
 Specially formulated polymer construction wears and lasts longer than traditional fiber replacements.

| Part # | Description |
|--------|-------------|
|--------|-------------|

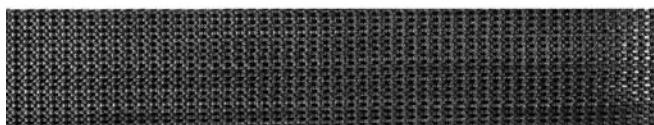
| | |
|----|---|
| 2 | V 000 022 385 Adjustable Spacer/ |
| 3 | V 000 023 856 Idler Shaft |
| 4 | V 000 023 913 Spacer |
| 7 | V 000 025 673 Bushing |
| 8 | V 000 026 852 Gear Assembly |
| 9 | V 000 026 855 Spring Washer |
| 10 | V 000 026 860 Washer Cup |
| 11 | V 000 026 878 Index Lever Assembly |
| 13 | V 000 027 403 Trip Lever Assembly |
| 16 | V 000 028 237 Spring |
| 17 | V 000 028 238 Friction Plate Cam |
| 18 | V 000 028 239 Clutch Plate |
| 19 | V 000 028 240 Disc Friction 37/64" Hole Diameter |
| 21 | V 000 028 316 Clutch Plate 37/64" Hole Diameter |
| 23 | V 030 005 660 Belt Pin |
| 24 | V 030 005 661 Belt Lacing |
| 25 | V 030 005 670 Worm Clutch |
| 26 | V 030 005 721 Disc Friction 47/64" Hole Diameter |
| 27 | V 030 005 722 Friction Flange 47/64" Hole Diameter |
| 28 | V 030 005 723 Friction Flange 1/2" Hole Diameter |
| 30 | V 030 007 133 Shaft |
| 31 | V 030 007 633-U Ultra High Grip Dist. Belt |
| 32 | V 030 007 633-C Standard Dist. Belt |
| 33 | V 030 007 633-R Rough Top Dist. Belt |
| 38 | V 701 436 064 Flange Bushing |

Distributor Belts

V 030 007 633-U Ultra High Grip Distributor Belt (31)
 High grip design offers a "sticky" surface that grabs and moves pins NOW!

V 030 007 633-C Standard Distributor Belt (32)
 Standard, durable construction. Lower cost. Each comes packed in roll form with clippers and pins.

V 030 007 633-R Rough Top Distributor Belt (33)
 Rough top design features an aggressive tread (shown) for a high friction surface.





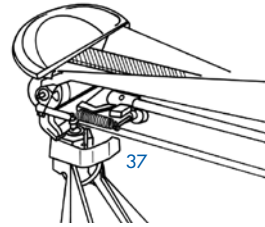
82-30 Distributor Assembly

V 030 008 309
Track Support Bracket Short
 Precision tooling provides perfect interchangeability and excellent part service. Newer style, effective on machines with serial number 64023 and up.

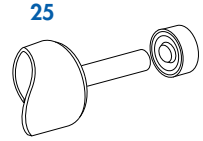


35

V 210
Guard for SW-4 Switch (37)
 This specialty part for 82 - 30 machines is designed to cover the SW-4 switch and prevent it from breaking when struck by pins. It's not available from AMF.

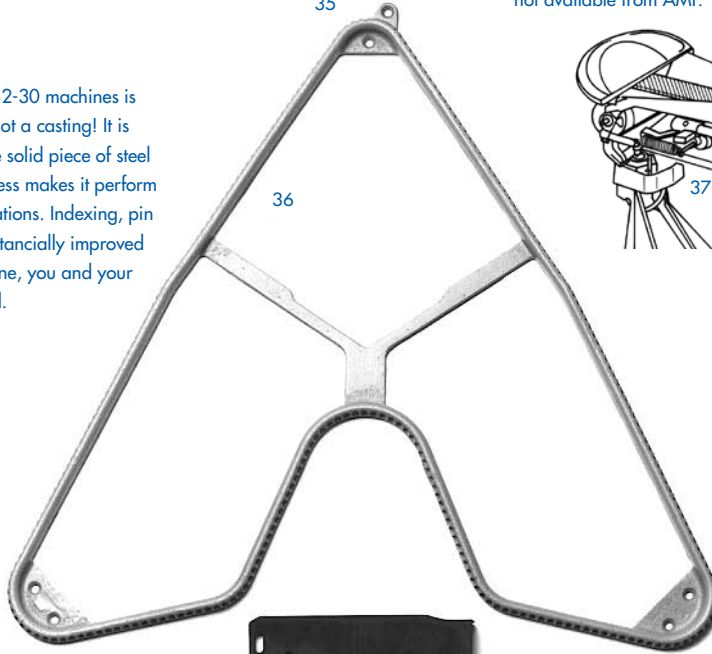


37

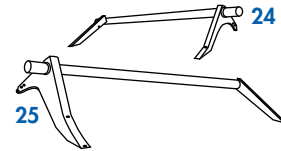


25

V 030 008 310
Distributor Track without Ears
 Our new distributor track for 82-30 machines is not a casting. That's right it's not a casting! It is completely machined from one solid piece of steel to exact dimensions. This process makes it perform like a precision gear in all locations. Indexing, pin distribution and wear are substantially improved over other replacements. Try one, you and your machines, will be glad you did.



36

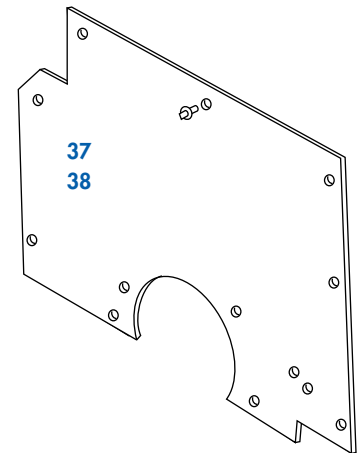


24

V 030 008 089
Top Track Support Bracket
 Precision tooling provides perfect interchangeability and excellent part service. Newer style, effective on machines with serial number 64023 and up.



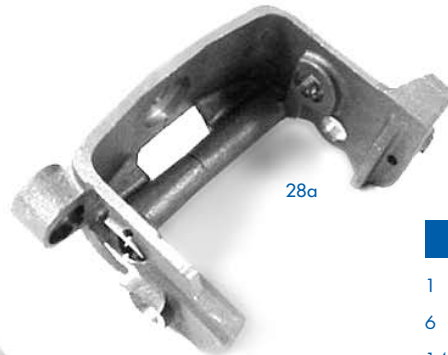
34



37
38



14



28a



15



22



32



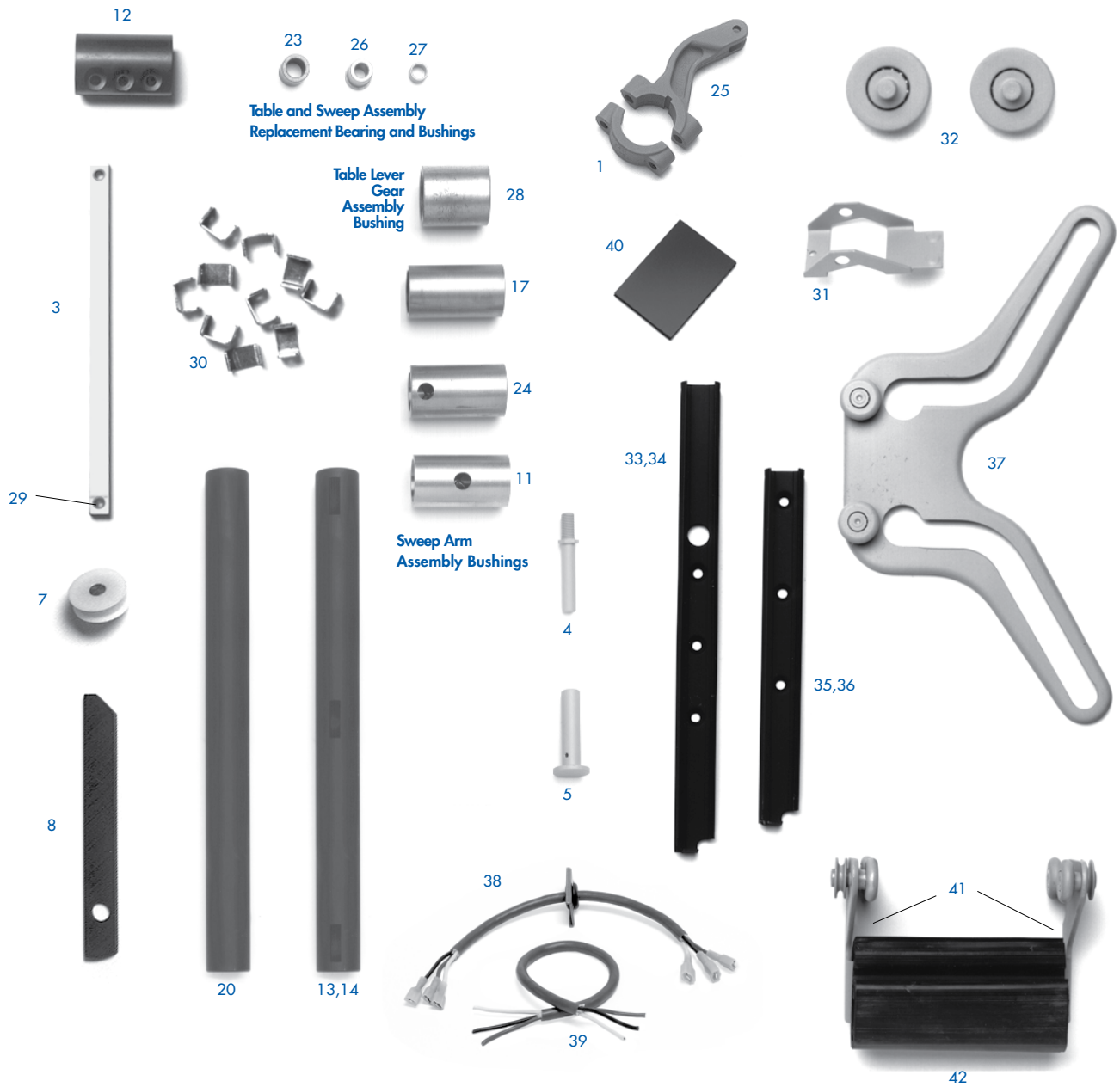
20



1

| Part # | Description |
|--------|-------------|
|--------|-------------|

| | |
|------------|--|
| 1 | V 000 022 195 Idler Shaft |
| 6 | V 000 025 669 Bushing |
| 14 | V 000 027 707 Bracket Assembly R.H. |
| 15 | V 000 027 708 Bracket Assembly L.H. |
| 20 | V 000 028 241 Shaft |
| 22 | V 030 002 155 Arm Weldment |
| 24 | V 030 002 792 Cushion Wedment R.H. (Odd) |
| 24 | V 030 002 793 Cushion Wedment L.H. (Even) |
| 25 | V 030 005 648 Rear Roller Assy. 82-30 |
| 28a | V 030 006 846 Head Casting |
| 32 | V 030 008 780 RLower Shaft, 8 3/4" Long |
| 34 | V 030 008 089 Top Track Support Bracket |
| 35 | V 030 008 309 Track Support Bracket Short |
| 36 | V 030 008 310 Distributor Track w/o Ears |
| 37 | V 210 Guard for SW-4 Switch |
| 37a | V 030 005 126 Kickback Panel for Ball Door 82-30 |
| 38 | V 030 006 495 Kickback Panel Common (30) |



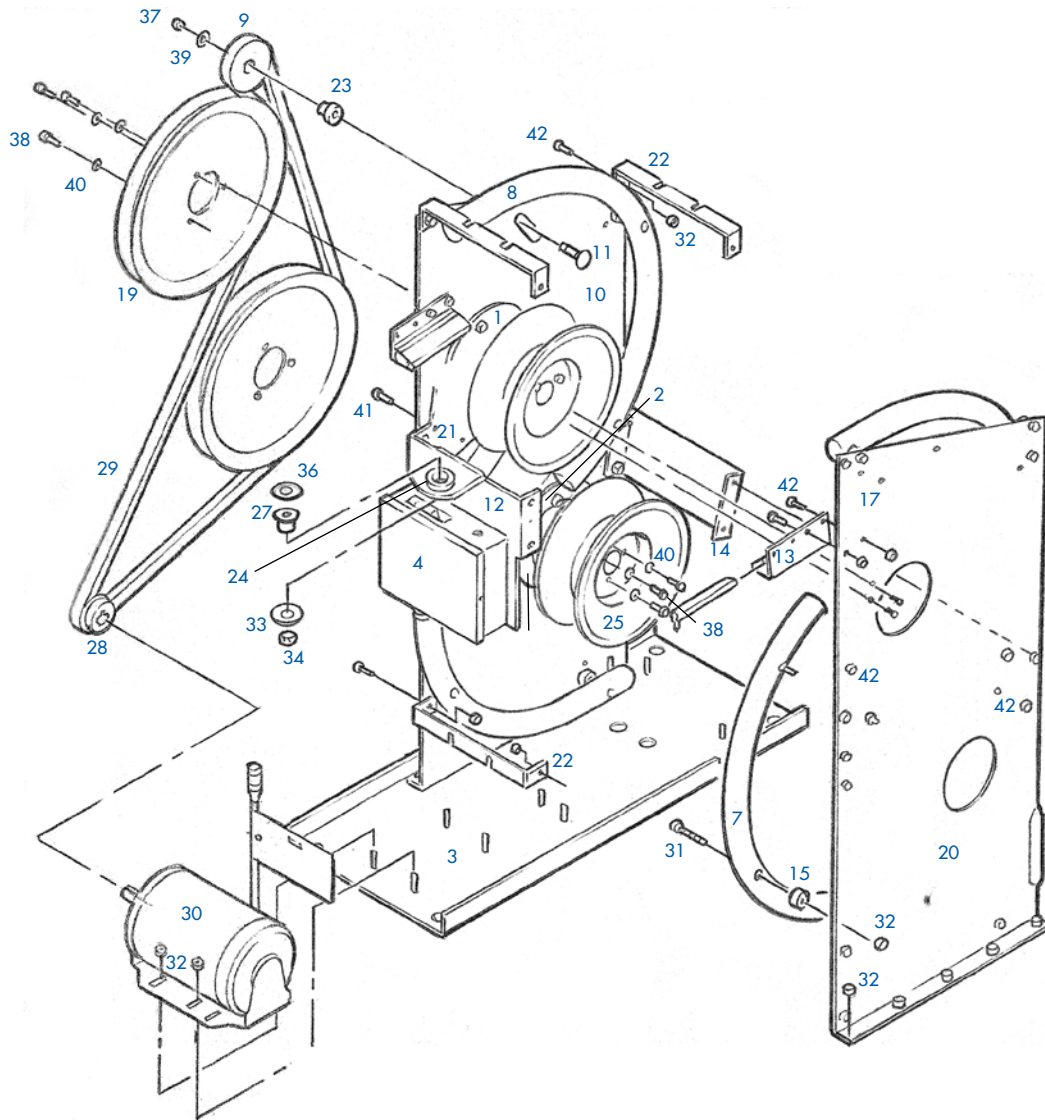
| Part # | Description |
|----------|---|
| 1 | V 030 001 148 Cap Arm |
| 3 | V 030 001 331 Link Assembly |
| 4 | V 030 001 369 Stud |
| 5 | V 030 001 488 Idler Shaft |
| 7 | V 030 002 114 Steel Roller Wheel |
| 8 | V 030 002 171 Sweep Brake |
| 11 | V 030 002 540 Grooved Bearing |
| 12 | V 030 003 257 Coupling |
| 13 | V 030 003 433 Shaft Extension R.H. |
| 14 | V 030 003 434 Shaft Extension L.H. |
| 17 | V 030 005 093 Bearing |

| Part # | Description |
|-----------|-----------------------------------|
| 20 | V 030 006 026 Shaft |
| 23 | V 030 008 164 Bearing |
| 24 | V 030 008 301 Bearing |
| 25 | V 030 008 378 Arm Assembly |
| 26 | V 701 412 054 Flange Bushing |
| 27 | V 701 512 072 Sleeve Bushing |
| 28 | V 701 540 083 Sleeve Bushing |
| 29 | V 900 104 061 Sleeve Bushing |
| 30 | V 030 001 122 Stop |
| 31 | V 030 001 170 Switch Arm |
| 32 | V 030 003 896 Respot Cell Bearing |

| Part # | Description |
|--------|---|
| 33 | V 030 005 261 Lower Track L.H. |
| 34 | V 030 005 262 Lower Track R.H. |
| 35 | V 030 005 263 Upper Track L.H. |
| 36 | V 030 005 264 Upper Track R.H. |
| 37 | V 030 005 284 Track Carrier Assembly |
| 38 | V 030 006 546 Wire Cells 2-3-5 |
| 39 | V 030 006 548 Wire Cells 1-4-6-7-8-9-10 |
| 40 | V 030 008 352 Actuating Pad |
| 41 | V 030 008 370 Gripper Assembly |
| 42 | V 030 008 542 Gripper Pad |



C-90 & Vantage Standard Ball Lift



Part # Description

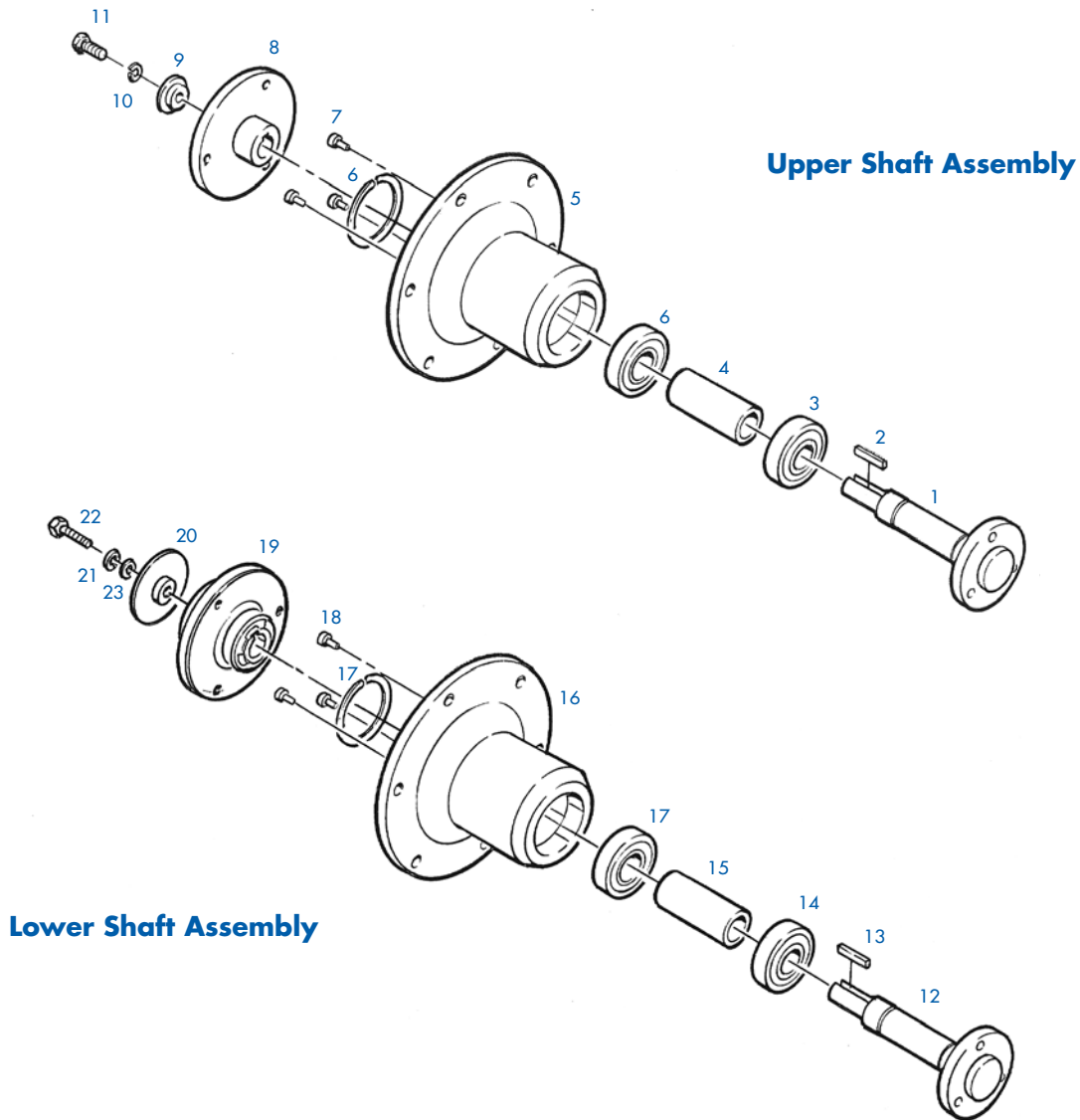
| | |
|----|------------------------------------|
| 1 | V 250 001 009 Upper Shaft Assembly |
| 2 | V 250 001 015 Lower Shaft Assembly |
| 3 | V 250 001 003 Base Plate Assembly |
| 4 | V 250 001 014 Control Box |
| 7 | V 250 001 013 Lower Track Assembly |
| 8 | V 250 001 012 Upper Track Assembly |
| 9 | V 250 001 011 Idler Assembly |
| 10 | V 250 010 002 Left Side Panel |
| 11 | V 250 001 027 Tensioner Lock Nut |
| 12 | V 250 001 004 Support Brace |
| 13 | V 250 001 435 Ball Outlet Guide |
| 14 | V 250 001 005 Rear Brace |
| 15 | V 250 001 034 Rail Spacer |

Part # Description

| | |
|----|--|
| 16 | V 250 001 054 Stiffener Plate |
| 17 | V 070 011 211 Danger Decal |
| 19 | V 250 001 057 12" Pulley Concept 90 |
| 20 | V 250 001 001 Right Side Panel |
| 21 | See 16 |
| 22 | V 250 001 023 Spacer Bracket |
| 23 | V 250 001 021 Tensioner Hub |
| 24 | 40-200 0.10 Rubber Bushing |
| 25 | V 250 001 051 Concept 90 Ball Lift Wheel |
| 27 | 40-2000.11 Inner Bushing |
| 28 | V 250 001 537 Sheave 3 X 59 |
| 29 | V 250 001 037 DUBL-V Belt Concept 90 |
| 30 | V 250 001 040 Mtr for Frt. Ball Lift |

Part # Description

| | |
|----|---|
| 31 | V 808 557 360 Button Head Sckt. 5/16-18 X 2.25 |
| 32 | V 839 057 002 Hex Lock Nut 5/16-18 ESNA |
| 33 | 40-2000.9 Special Washer |
| 34 | V 844 073 002 Stover Lock Nut 1/2-13 1 |
| 36 | See 33 |
| 37 | V 809 865 245 Hex Head Cap Scr 3/8-16 X 1.5 |
| 38 | V 809 857 100 Hex Head Cap Scr 5/16-18 X 5/8 |
| 39 | V 070 006 296 Washer Spring |
| 40 | V 951 156 002 Lock Washer 5/16 |
| 41 | V 809 857 165 Hex Head Cap Scr 5/16-18 X 1 |
| 42 | V 809 857 125 Hex Head Cap Scr 5/16-18 X 3/4 |



Upper Shaft Assembly

Lower Shaft Assembly

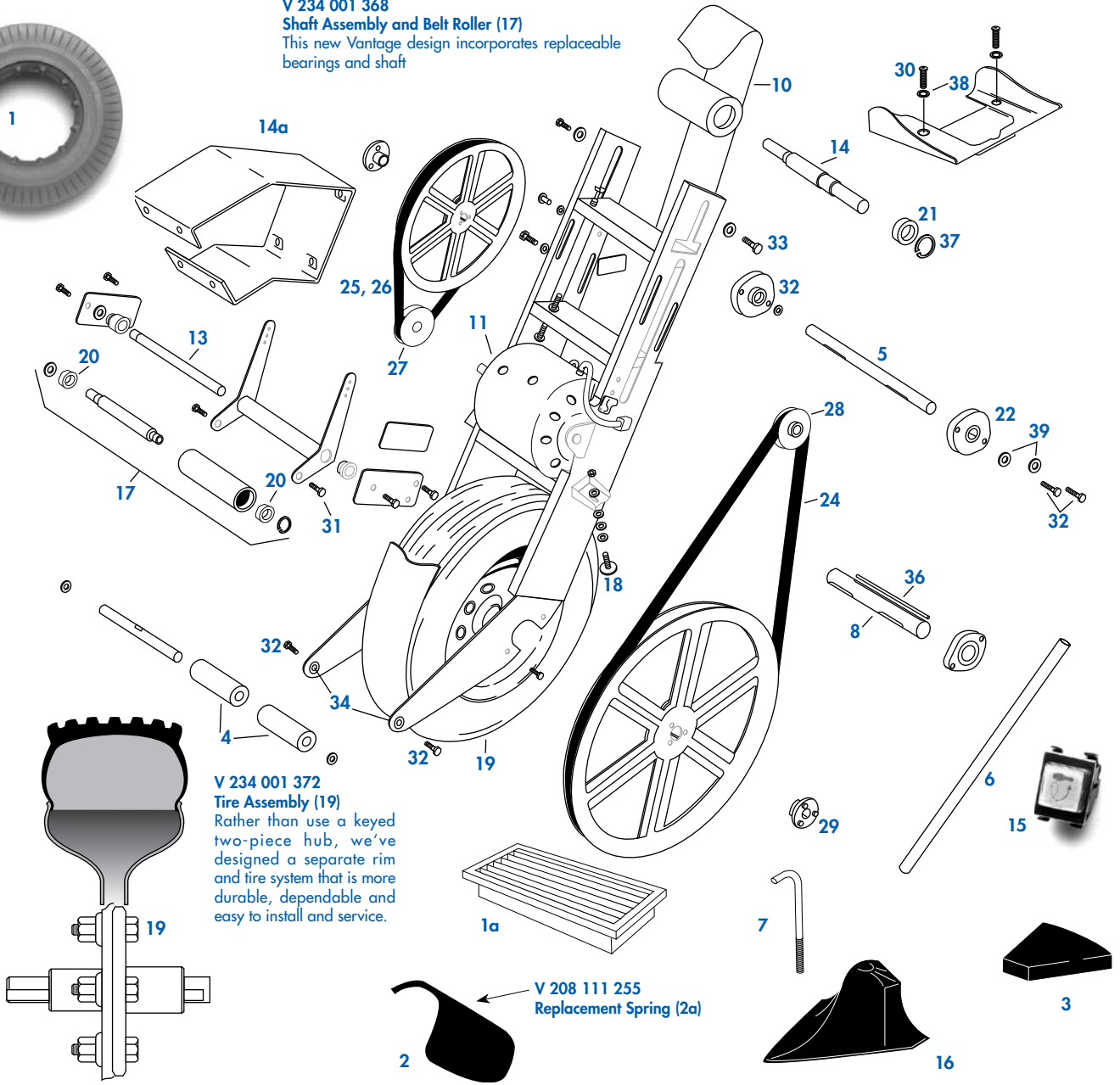
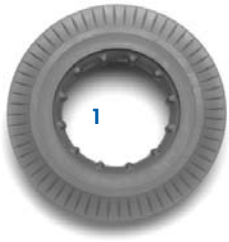
| Part # | Description | Part # | Description | Part # | Description | |
|-----------------------------|--|-----------------------------|---|-------------------|--|--|
| Upper Shaft Assembly | | | 9 | V 250 001 226 Cap | 17 | V 250 001 041 Bearing and Retaining Ring |
| 1 | V 250 001 230 Shaft | 10 | V 951 148 002 Washer 1/4 Split | 18 | V 810 240 060 Sckt Hed Cap Scr 10-32 X 3/8 | |
| 2 | V 250 001 233 Shaft Key | 11 | V 809 849 145 Hex Hd Cap Scr 1/4-20 X 7/8 | 19 | V 250 001 008 Clutch Housing Assembly | |
| 3 | V 250 001 042 Bearing | Lower Shaft Assembly | | | 20 | V 250 001 231 Clutch Cover |
| 4 | V 250 001 232 Bearing Spacer | 12 | V 250 001 230 Shaft | 21 | V 951 148 002 Washer 1/4 Split | |
| 5 | V 250 001 229 Bearing Housing | 13 | V 250 001 233 Shaft Key | 22 | V 809 849 165 1/4-20 X 1 Hex Head Screw | |
| 6 | V 250 001 041 Bearing and Retaining Ring | 14 | V 250 001 042 Bearing | 23 | V 948 753 101 1/4 Flat Washer | |
| 7 | V 810 240 060 Sckt Hed Cap Scr 10-32 X 3/8 | 15 | V 250 001 232 Bearing Spacer | | | |
| 8 | V 250 001 060 Hub, Pulley | 16 | V 250 001 229 Bearing Housing | | | |



V 234 001 368
Shaft Assembly and Belt Roller (17)
 This new Vantage design incorporates replaceable bearings and shaft

V 234 001 372
Tire Assembly (19)
 Rather than use a keyed two-piece hub, we've designed a separate rim and tire system that is more durable, dependable and easy to install and service.

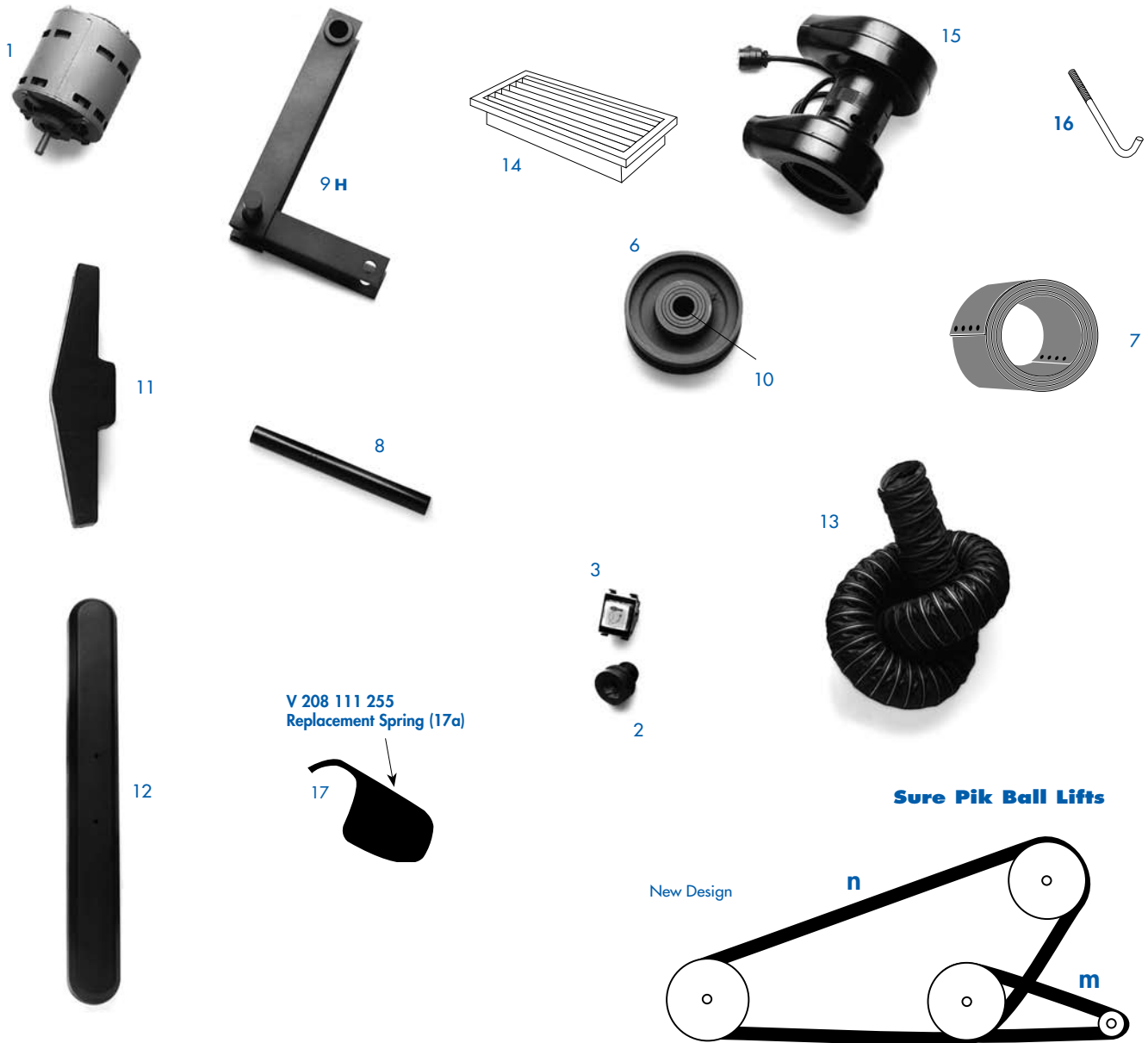
V 208 111 255
Replacement Spring (2a)



| Part # | Description |
|----------|---|
| 1 | V 057 001 238 Lazy Susan Tire |
| 1a | V 208 111 131 Grill Hand Dryer |
| 2 | V 208 111 229 Ball Stop |
| 2a | V 208 111 255 Replacement Spring |
| 3 | V 234 001 041 Ball Stop Assembly |
| 4 | V 234 001 109 Rubber Shock |
| 5 | V 234 001 112 Idler Shaft |
| 6 | V 234 001 115 Rail Cover |
| 7 | V 234 001 126 Spectrum Grill Hook |
| 8 | V 234 001 135 Tire Shaft |
| 10 | V 234 001 147 Ball Return Belt |
| 11 | V 234 001 163 Motor 115V/60 with Brackets |
| 13 | V 234 001 174 Pivot-Shaft |

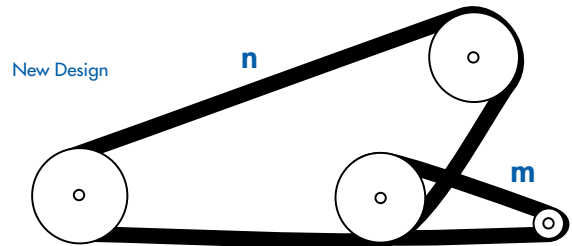
| Part # | Description |
|-----------|---|
| 14 | V 234 001 221 Crown Pulley Shaft |
| 14a | V 234 001 243 Motor Mounting Bracket |
| 15 | V 234 001 265 Tenth Frame Switch |
| 16 | V 234 001 277 Island Bumper |
| 17 | V 234 001 368 Shaft Assembly & Belt Roller |
| 18 | V 234 001 371 Bumper-Ball Lift Mechanism |
| 19 | V 234 001 372 Tire Assembly |
| 20 | V 701 020 030 Fafnir Bearing |
| 21 | V 701 024 031 Bearing |
| 22 | V 702 424 002 Flange Bearing 3/4" Bore |
| 24 | V 702 504 012 V-Belt |
| 25 | V 702 504 013 V-Belt 60HZ |
| 26 | V 702 504 014 V-Belt 50HZ |
| 27 | V 719 616 005 Pulley, 1/2" Bore 2.5 Pd. |

| Part # | Description |
|--------|---|
| 28 | V 719 624 004 Pulley, 3/4" Bore 2.5 Pd. |
| 29 | V 741 550 515 Bushing |
| 30 | V 808 549 160 Button Head Socket Screw |
| 31 | V 809 857 100 Hex Head Cap Screw |
| 32 | V 809 857 205 Hex Head Cap Screw |
| 33 | V 809 873 100 Hex Head Cap Screw |
| 34 | V 900 207 061 Bearing |
| 36 | V 907 202 100 Key |
| 37 | V 919 001 000 Retaining Ring |
| 38 | V 948 648 092 Washer |
| 39 | V 948 761 112 Washer |



V 208 111 255 Replacement Spring (17a)

Sure Pik Ball Lifts



| Part # | Description |
|-----------|---|
| 1 | V 000 022 068 Sure Pik Drive Motor 115V/60HZ |
| 2 | V 000 022 093 Fusestat |
| 3 | V 000 023 520 10th Frame Switch |
| 6 | V 190 001 345 Idler Assembly |
| 7 | V 190 001 355 Belt |
| 8 | V 190 001 357 Shaft |
| 9 | V 190 001 364 Link W/Replaceable Shaft |
| 10 | V 190 001 490 Bearing |
| 11 | V 208 111 008 Sure Pik Bumper |
| 12 | V 208 111 025 Sure Pik Island |
| 13 | V 208 111 031 Blower Hose |

| Part # | Description |
|-----------|--|
| 14 | V 208 111 131 Grill, Hand Dryer |
| 15 | V 208 111 170 Sure Pik Blower with Motor |
| 16 | V 208 111 180 Sure Pik Grill Hook |
| 17 | V 208 111 229 Ball Stop |
| 17a | V 208 111 255 Replacement Spring |

BALL LIFT BELTS

Magic Circle Ball Lifts

| | |
|-----------------------------------|-----------------|
| Motor to Pulley V-Belt | |
| Outside 3/8" x 36" | V 000 029 433 * |
| Pulley to Drive V-Belt 1/2" x 41" | V 057 001 003 * |

| Part # | Description |
|---|-----------------|
| Sure Pik Ball Lifts | |
| m Motor to Pulley V-Belt 47" | V 190 001 546 |
| m Motor to Pulley Round Belt 47" | V 190 001 546-R |
| m Motor to Pulley V-Belt 45" | V 208 111 174 |
| m Motor to Pulley Round Belt 42 5/8" | V 208 111 174-R |
| n Ball Lift Belt | V 190 001 305 |

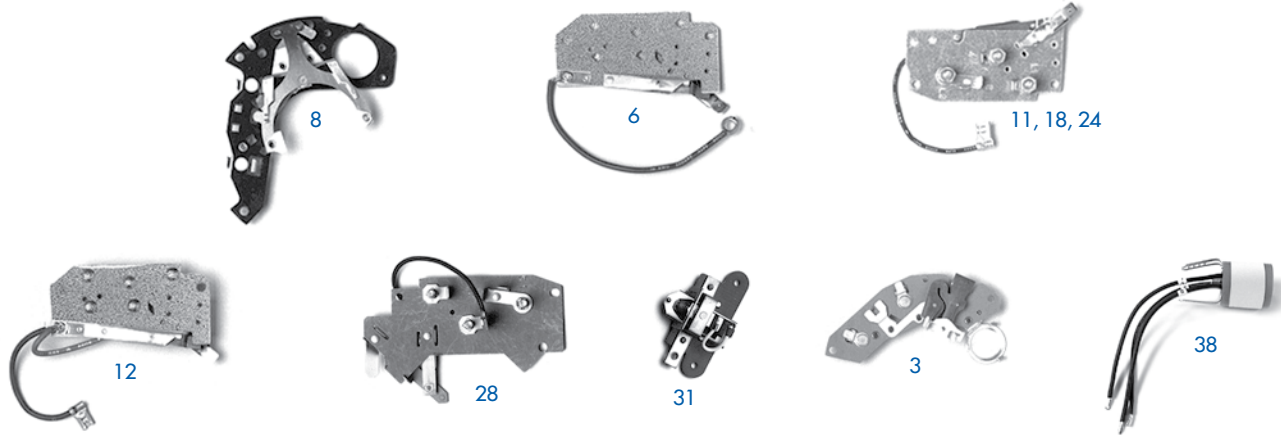
Streamlane Ball Lifts

| | |
|---------------------|-----------------|
| V-Belt 44" | V 146 005 399 * |
| Ball Lift-Short 36" | V 146 004 775 * |
| Ball Lift-Long 73" | V 146 004 772 * |

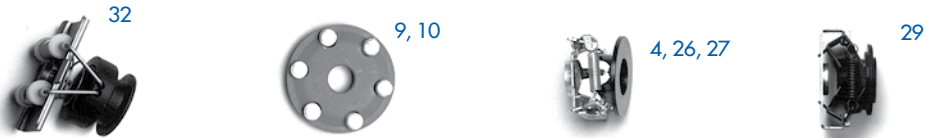
* Not Shown



MOTOR SWITCHES



CENTRIFUGAL MECHANISMS



MOTOR PLUGS AND KLIXONS

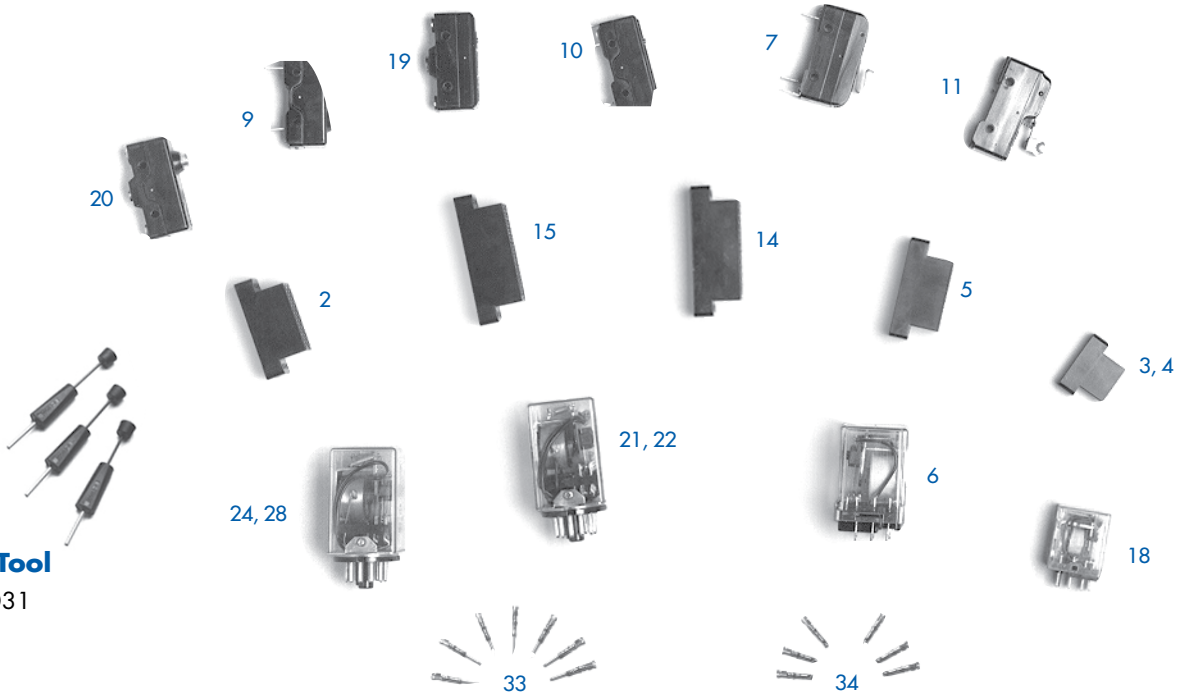


Use this chart to select the specific part you need

| MOTOR TYPE | CENTRIFUGAL MECHANISM | MOTOR SWITCH | KLIXON | PLUG |
|--------------------------------|--|---|--------------------|-------------------|
| Westinghouse/A.O. Smith | | | | |
| Combo 60HZ | V 785 501 568 (26) V 785 501 378 (10) | V 785 501 386 (12) V 785 501 372 (6) (Aux Switch) | V 785 501 393 (15) | V 000 027 655 (2) |
| Model #314P079 | Combo 50HZ | V 785 501 569 (27) | V 785 501 393 (15) | V 000 027 655 (2) |
| Model #325P201 | Backend 60HZ | V 785 501 377 (9) | V 785 501 384 (11) | V 000 025 906 (1) |
| Model #314P145 | Backend 60HZ | V 785 501 665 (29) | V 785 501 664 (28) | V 000 025 906 (1) |
| Model #325P205 | Backend 50HZ | V 785 501 520 (18) | V 785 501 522 (20) | V 000 025 906 (1) |
| | Backend 50HZ | V 785 501 562 (24) | V 785 501 564 (25) | V 000 025 906 (1) |
| | Backend 50HZ | | V 785 501 533 (37) | |
| General Electric | | | | |
| Combo 60HZ | | | V 785 501 392 (14) | V 000 027 655 (2) |
| Combo 50HZ | V 785 501 192 (4) | | V 785 501 540 (22) | V 000 027 655 (2) |
| Model #76F711YD3K | Backend 60HZ | V 785 501 375 (8) | V 785 501 389 (13) | V 000 025 906 (1) |
| | Backend 50HZ | V 785 501 192 (4) | V 785 501 508 (17) | V 000 025 906 (1) |
| | Sure Pik | V 785 501 168 (3) | | |
| National | | | | |
| Combination 50 & 60HZ | V 785 502 191 (32) | V 785 502 190 (31) | V 785 502 005 (35) | V 000 027 655 (2) |
| Backend 50 & 60HZ | | | V 785 502 080 (36) | V 000 025 906 (1) |
| Solid State Switches | | | | |
| All Backend Motors | | V 610 309 042 (38) | | |
| DLD Westinghouse | | | | |



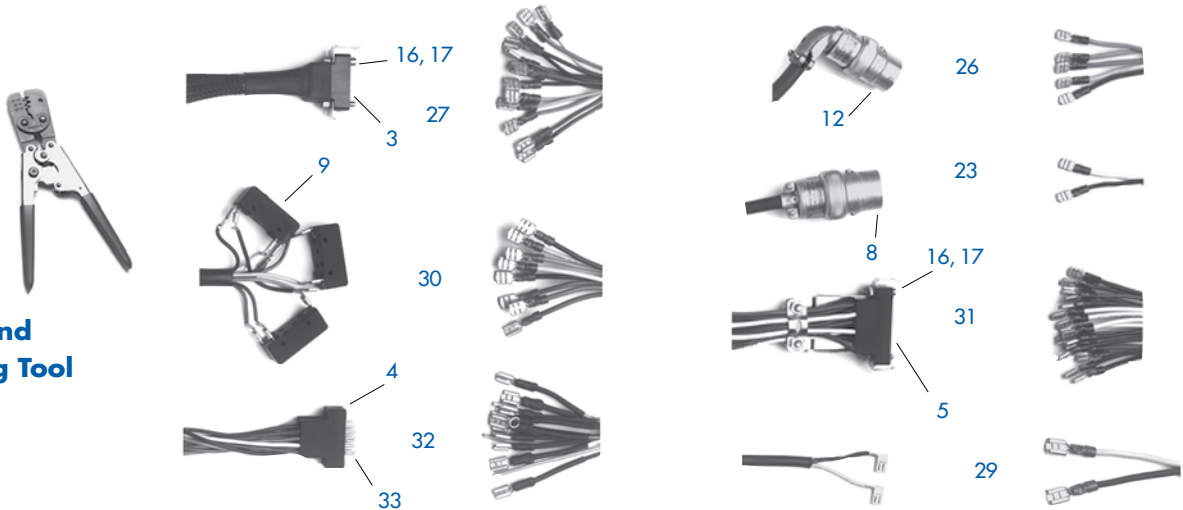
Extractor Tool
V 030 004 031



Keep your machines in top form with new cable assemblies and replacement plugs from Vantage!



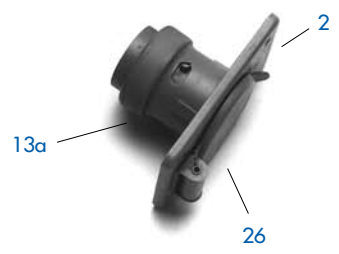
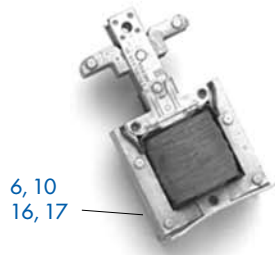
AMP Hand Crimping Tool
V 277



| Part # | Description |
|--------|--|
| 2 | V 000 025 068 AMP Plug-Female C-1 |
| 3 | V 000 025 078 AMP Plug-Table Cable, Female |
| 4 | V 000 025 079 AMP Plug-Table Cable, Male |
| 5 | V 000 025 144 AMP Plug, Male C-1 |
| 5a | V 000 025 183 Clamp Washer |
| 5b | V 000 025 556 Locking Spring Clip Female |
| 5c | V 000 025 557 Locking Sprint Clip Male |
| 6 | V 000 025 863 Relay-Backend Motor |
| 7 | V 000 025 879 Micro Switch 82-30 Chassis |
| 8 | V 000 025 907 Plug-Female Backend Motor |
| 9 | V 000 026 042 Switch-Table/Sweep Cam |
| 10 | V 000 026 043 Bin Micro Switch |
| 11 | V 000 026 247 Micro Switch 82-30 Distributor Support Bracket |

| Part # | Description |
|--------|---|
| 12 | V 000 027 660 Plug-Female 5 Prong Combination Motor |
| 13 | V 000 028 078 Panel Switch Managers Control Box (Not Shown) |
| 14 | V 000 028 409 Male Block C-2 |
| 15 | V 000 028 410 Female Block C-2 |
| 16 | V 000 028 441 Guide Socket-AMP Plugs |
| 17 | V 000 028 442 Guide Pin-AMP Plugs |
| 18 | V 000 028 754 Relay 82-70 Chassis |
| 19 | V 030 004 702 Micro Switch |
| 20 | V 030 004 703 Micro Switch 82-30 Pin Counter |
| 21 | V 057 001 228 Relay 120V 82-30 Sure Pik |
| 22 | V 057 001 229 Relay 24V Sure Pik |
| 23 | V 070 005 094 Cable Assembly-Back End Motor |

| Part # | Description |
|--------|---|
| 24 | V 070 005 515 Relay 11 Pin M & MZ |
| 26 | V 070 005 542 Cable Assembly-Sweep-Table Motor |
| 27 | V 070 005 604 Upper Table Cable |
| 28 | V 070 005 883 Relay 10V Spotting |
| 29 | V 070 006 272 Bin Switch Cable Assembly |
| 30 | V 070 006 452 Sweep Cable-Sweep Cam Switch |
| 31 | V 070 006 473 C-1 Cable Assembly |
| 32 | V 610 704 010 Lower Table Cable |
| 33 | V 760 011 197 Guide Pin Male (Gold Plated) |
| 34 | V 760 019 201 Guide Socket Female (Gold Plated) |



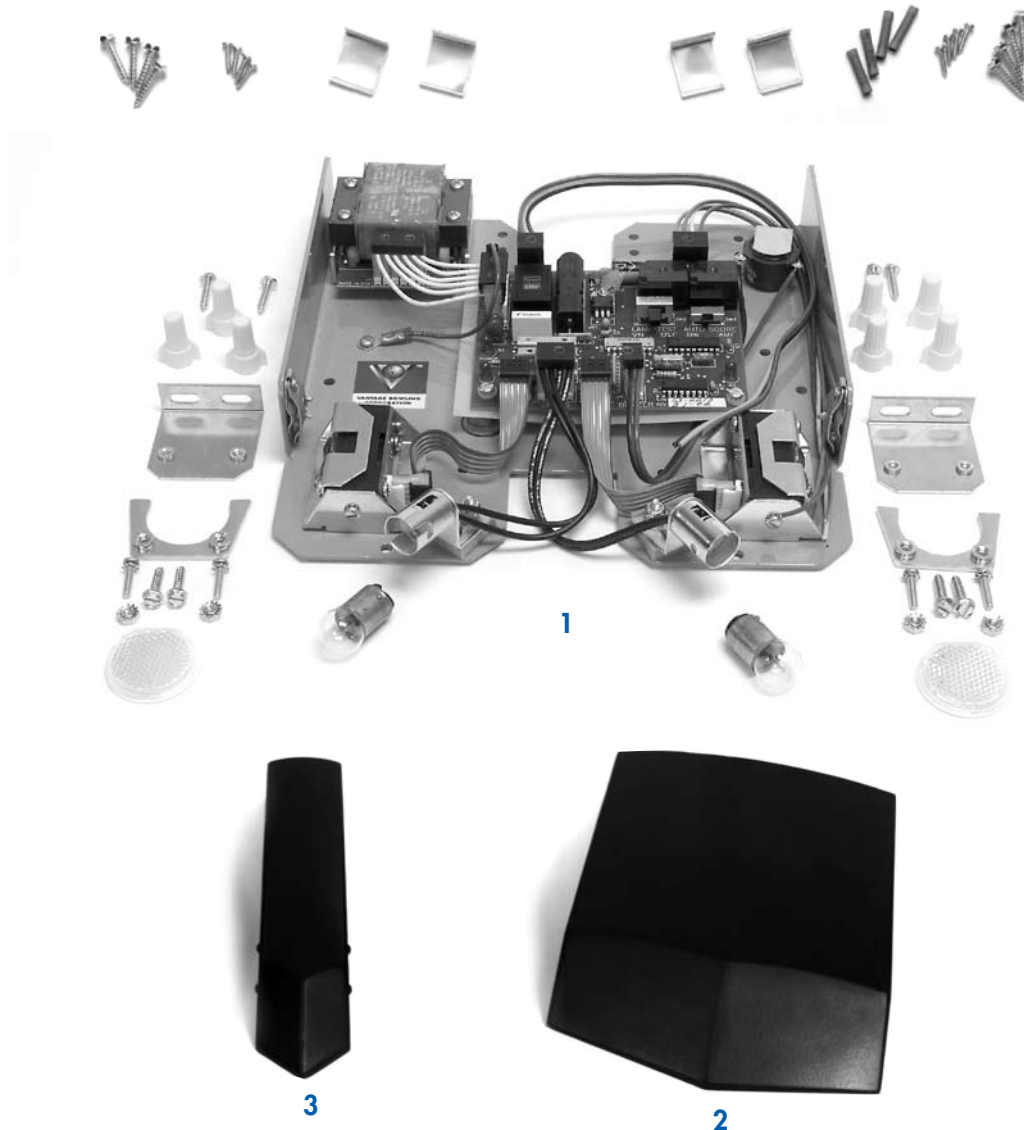
| Part # | Description |
|--------|---|
| 1 | V 000 023 265 Power Plug |
| 2 | V 000 024 719 Power Receptacle |
| 3 | V 000 025 124-1 24V Contactor New Style w/Bracket (82-70 Machines) |
| 4 | V 000 025 292 Circuit Breaker-No Emergency Stop |
| 5 | V 000 025 865 Plunger Switch-Mechanics Control Box |
| 6 | V 000 026 027 Solenoid 5/32 Plunger Hole 60HZ |
| 7 | V 000 026 037 Toggle Switch-Pit-Sweep Table On/Off |
| 8 | V 000 026 836 Transformer 115V/60HZ T2 |
| 9 | V 000 027 870 Transformer 115/230 50-60HZ T2 |
| 10 | V 000 027 873 Solenoid 5/32 Plunger Hole 50HZ |

| Part # | Description |
|--------|---|
| 11 | V 030 006 526-1 32V Contactor New Style w/Bracket (82-30 Machines) |
| 12 | V 070 005 529 Sweep Run Switch |
| 13 | V 070 005 530 Sweep Reverse Switch |
| 13a | V 070 005 539 Spacer |
| 14 | V 070 005 666 Circuit Breaker 82-70 Chassis-Pindicator |
| 16 | V 070 006 726 Solenoid 1/4 Plunger Hole 60HZ |
| 17 | V 070 006 727 Solenoid 1/4 Plunger Hole 50HZ |
| 18 | V 070 009 821 Circuit Breaker 82-70 Emergency Stop |
| 19 | V 743 000 011 Capacitor 82-30 G.E. Backend Motor |
| 20 | V 743 000 014 Capacitor 82-30 Pin Elevator Backend Motor G.E. |

| Part # | Description |
|--------|--|
| 21 | V 743 000 015 Capacitor WEST. 82-70 60HZ B.E. |
| 22 | V 743 000 017 Capacitor G.E. 82-70 60HZ B.E. |
| 23 | V 743 000 020 Capacitor Sweep/Table Motor |
| 24 | V 743 000 125 Capacitor WEST. B.E. 50HZ |
| 25 | V 754 010 336 Power Plug-Hubbell (Newer Model Machines) |
| 26 | V 755 020 359 Power Receptacle-Hubbell (Newer Model Machines) |
| 27 | V 755 504 048 Relay MP Chassis |
| 28 | V 785 501 528 Capacitor 50HZ WEST.B.E. |
| 29 | V 788 001 057 Upper Contact |
| 30 | V 788 001 058 Lower Contact |



NEW FOUL LIGHTS FOR AMF & BRUNSWICK INSTALLATIONS



THE VANTAGE FOUL LIGHT SYSTEM OFFERS A FULLY INTEGRATED CIRCUIT BOARD AND COMPLETE COMPATIBILITY WITH ALL CENTERS AND BOWLING MACHINERY.

Its many benefits include:

- Compatibility with all major scoring systems
- A low profile for easy installation under any type of ball return cover, that is designed for subway ball returns
- Modular construction for easy service and troubleshooting
- Operation at 120V or 240V
- Vantage service and support worldwide!
- Easy adjustment of photo optics

Attractively priced, contact your Vantage distributor.

Part# VFL-001 Vantage Foul Light System (1)

Part# VFL-002 Wide Division Cover (2)

Part# VFL-003 Narrow Division Cover with Reflector (3)



Mechanics Tool Kit

Part number V 784 528 052

Now you can make sure you always have the right tool when you need it! American made tools assure consistent quality and durability. Available as a set or individually as shown. Get a grip on your machine maintenance when you have the right tool from Vantage!



| Part # | Description |
|--------|---------------------------------------|
| 1 | V 030 002 748 Sweep Cam Gauge |
| 2 | V 030 003 542 Belt Lacer |
| 3 | V 070 006 519 Respot Cell Gauge |
| 5 | V 724 001 011 Electrical Tape |
| 6 | V 780 503 014 Allen Wrench Socket Set |
| 7 | V 782 501 001 Extension 11" |
| 8 | V 783 501 001 Ball Peen Hammer 16 oz. |
| 9 | V 783 502 002 Plastic Hammer 16 oz. |
| 10 | V 784 003 000 Rivet Installation Tool |
| 11 | V 784 528 052 Mechanics Tool Kit |
| 12 | V 785 001 001 Lube Gun |
| 13 | V 786 501 001 Channelock Pliers |
| 14 | V 786 502 002 5" Needle Nose Pliers |
| 15 | V 786 503 003 6" Gripping Pliers |
| 16 | V 786 504 004 6" Diagonal Cutters |
| 16a | V 787 001 006 Drive Punch Set |
| 17 | V 788 504 004 Hack Saw |

| Part # | Description |
|--------|--------------------------------------|
| 18 | V 789 001 000 Screw Driver Set |
| 19 | V 789 502 003 Extension 3" |
| 20 | V 789 502 004 Extension 5" |
| 21 | V 789 505 008 Drive Ratchet 3/8" |
| 22 | V 789 509 000 Deep Socket Set |
| 23 | V 789 511 027 Socket Set 1/4" Drive |
| 24 | V 789 512 029 Universal 3/8" Drive |
| 25 | V 790 001 001 Solder Iron |
| 26 | V 791 003 003 HD Continuity Tester |
| 27 | V 791 004 004 High Voltage Testlight |
| 28 | V 792 009 010 Crimping Tool |
| 29 | V 792 016 018 Level |
| 30 | V 792 018 020 Magnetic Pick Up Tool |
| 31 | V 792 026 028 Steel Tape |
| 32 | V 792 501 001 Carpet Removal Pins |
| 33 | V 792 502 002 Carpet Flag Tool |
| 34 | V 792 505 005 Spring Puller |

| Part # | Description |
|--------|--|
| 35 | V 793 002 007 Snap Ring Pliers |
| 36 | V 793 501 000 Adjustable Wrench Set |
| 37 | V 793 503 017 Allen Wrench Set |
| 38 | V 793 503 051 Uni Key Set |
| 39 | V 793 506 000 Combination Wrench Set |
| 40 | V 793 507 028 Offset Box Wrench 7/16 x 1/2 |
| 41 | V 793 507 029 Offset Box Wrench 9/16 x 5/8 |
| 42 | V 793 507 030 Offset Box Wrench 11/16 x 3/4 |
| 43 | V 793 509 036 1/4" Thin Wrench |
| 44 | V 793 509 037 9/16 x 5/8 Open End Wrench |
| 45 | V 793 509 049 1/2 x 9/16" Open End Wrench - Thin |
| 46 | V 793 510 000 Ratcheting Wrench Set |
| 47 | V 793 511 045 Spanner Wrench |
| 48 | V 793 514 048 10" Vise Grip Wrench |

HAVE YOU GONE NUTS?

During machine maintenance the most frustrating parts to find are the small parts that hold your machines together. Your Vantage distributor carries a complete line of:

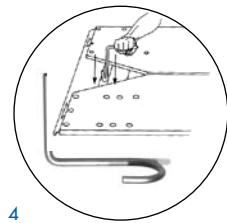
- Bolts
- Retaining Rings
- Bushings
- Washers
- X-Washers
- Roll Pins

All are available immediately to meet your service needs. Many part numbers are featured in this catalog, but many more are in stock. Call your distributor for any part number you require.

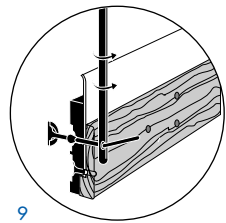
You may also purchase a "Bowling Center Small Parts Kit" containing 66 part numbers in varying quantities. This makes sure you have the right parts all the time in your center!
Order part #V-221.



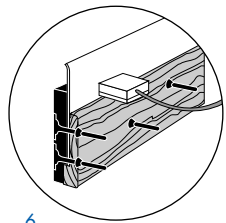
Service Tools To Make Your Life Easier!



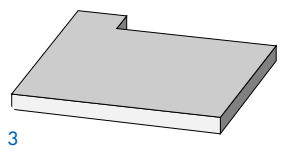
V 211 Bounce Plate Removal Tool
 A real hand saver! This part fits between the channels on bounce plate assemblies and helps lift them out of the pit. Saves time, saves backs, saves knuckles!



V 784 003 000-R Ratcheting Rivet Installation Tool
 Need to install rivets in a hurry? Especially where cushion weldments bolt to cushion planks? This tool attaches to any 3/8" drive ratchet for easy rivet installation anywhere on the cushion plank. We'll supply the tool, you supply the ratchet.



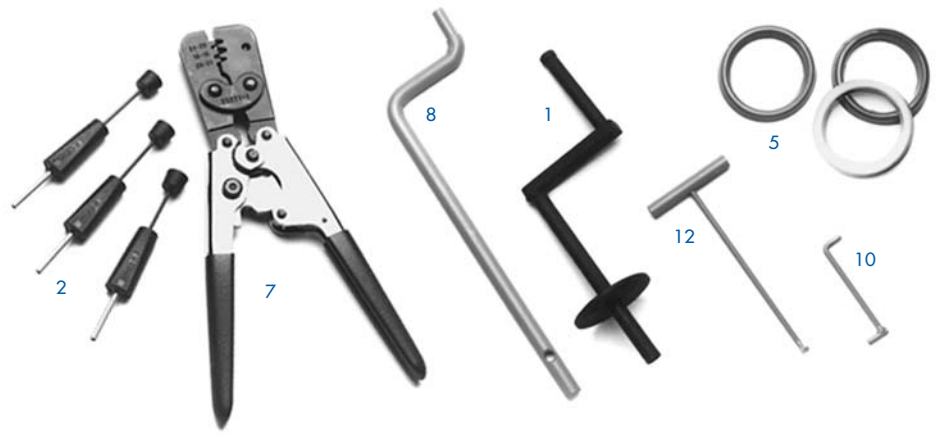
V 223 Emergency Pit Switch
 When machines won't cycle due to a damaged or failed cushion switch, the Emergency Pit Switch is the fastest way to get back into bowling. Its special design slips between the cushion sponge and the cushion plank **fast** and a two connection hookup attaches directly to pit switch wiring. Installs in minutes!



V 277 AMP Hand Crimping Tool
V 030 004 031 Extractor Tool
 When servicing chassis plugs these two tools are a must. The extractor tool makes removal of old pins and sockets quick and easy. The hand crimping tool is designed specifically to attach these pins and sockets to your wiring, assuring durable, tight, trouble free connections.



V 220 Ball/Part Cup
 Popular with bowling pro shops these ball cups are also used by mechanics to confine troublesome small parts when rebuilding assemblies.

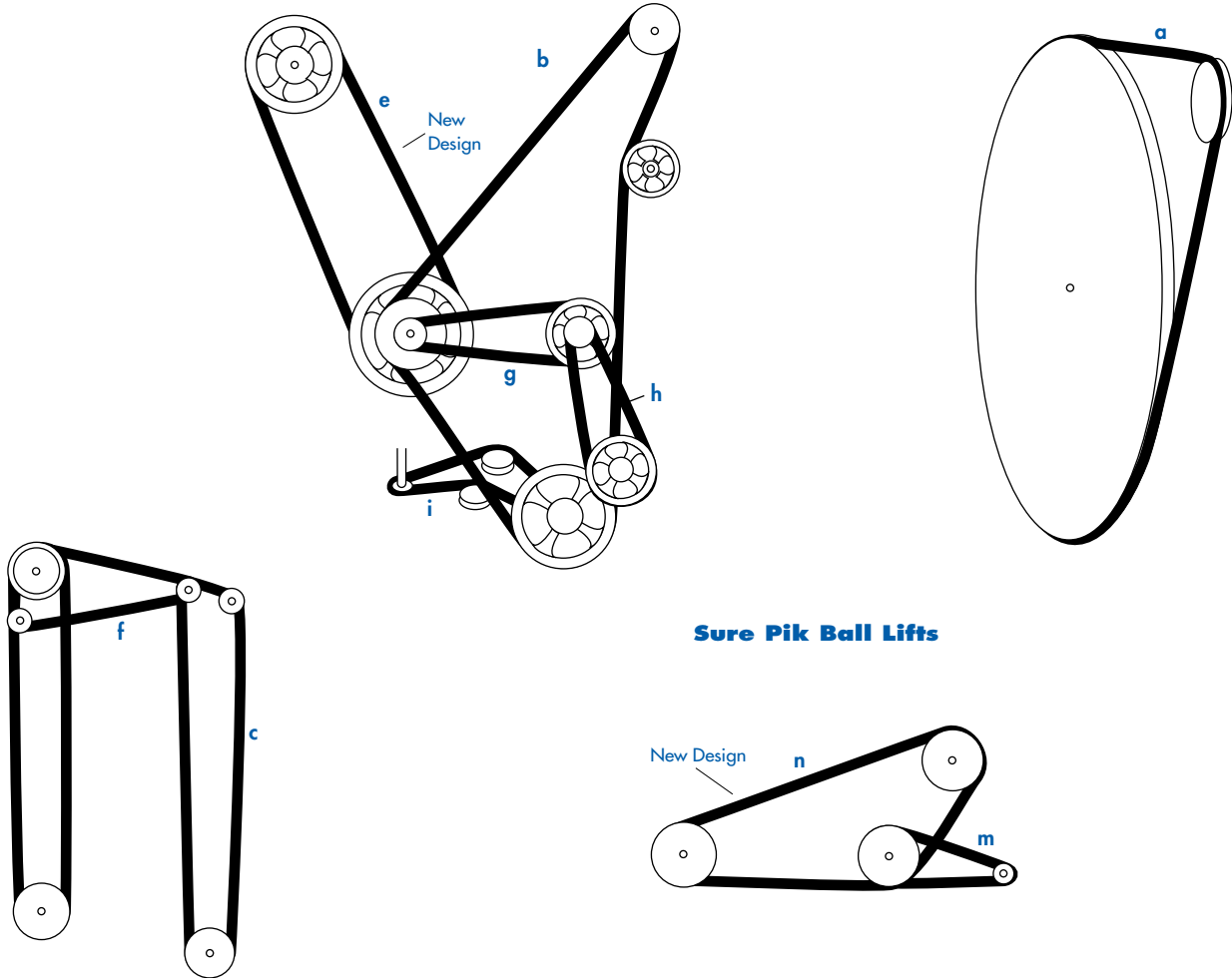


| Part # | Description | Part # | Description | Part # | Description |
|--------|--|--------|---------------------------------------|--------|---|
| 1 | V 030 003 943 Motor Crank | 5 | V 220 Ball/Part Cup | 9 | V 784 003 000-R Ratcheting Rivet Installation Tool |
| 2 | V 030 004 031 Extractor Tool | 6 | V 223 Emergency Pit Switch | 10 | V 792 501 001 Carpet Removal Pin |
| 3 | V 070 006 519 Respot Cell Gauge | 7 | V 277 AMP Hand Crimping Tool | 11 | V 792 502 002 Carpet Flag Tool |
| 4 | V 211 Bounce Plate Removal Tool | 8 | V 784 003 000 Rivet Installation Tool | 12 | V 792 505 005 Spring Puller |



Ball Return Nightmares are Over with New Belts from Vantage

Sure-Pik and ball lift problems are cured with Vantage's new rubber compound designed specifically for bowling ball returns. To fully employ its increased friction we've returned to a flat belt surface. This is more efficient than a concave surface in ball transfer. Try one you'll be glad you did!!!



Sure Pik Ball Lifts

| Part # | Description |
|--------|-------------|
|--------|-------------|

- a** V 070 002 005 Pin Elevator Drive Belt
- b** V 030 003 912 Carpet Drive Belt 135"
- b** V 030 008 792 Carpet Drive Belt 135"
- b** V 000 022 099A Carpet Drive Belt 114"
- b** V 000 022 099 Carpet Drive Belt 112"
- c** V 030 005 197 Carpet Drive Belt 131"

| Part # | Description |
|--------|-------------|
|--------|-------------|

- e** V 000 024 604 Ball Lift Belt Shallow Groove
- f** V 030 006 017 Ball Elevator Drive V-Belt 58"
- g** V 000 027 710 Ball Rudder Primary V-Belt Outside 1/4"x 36"
- h** V 000 029 600 Ball Rudder Secondary
- i** V 000 028 864 Ball Kicker Belt 36 1/2"
- i** V 000 028 865 Ball Kicker Belt 34 5/8"

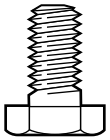
| Part # | Description |
|--------|-------------|
|--------|-------------|

- V 070 011 148 * PBL Rudder Drive 40"
- V 070 011 147 * PBL Rudder Drive 38"
- V 070 011 064 * PBL Ratchet Drive 45"
- V 250 001 037 * Double "V" Belt

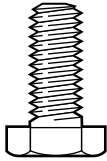
* Not Shown

Hex Head Cap Screws

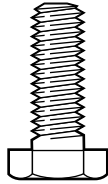
1/4-20 Hex Head Cap Screws



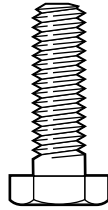
V 809 849 085
1/4-20 x 1/2



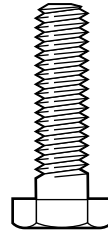
V 809 849 100
1/4-20 x 5/8



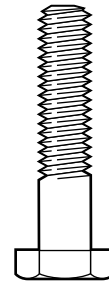
V 809 849 125
1/4-20 x 3/4



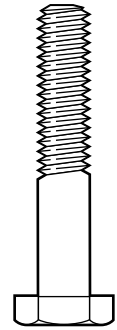
V 809 849 145
1/4-20 x 7/8



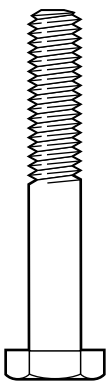
V 809 849 165
1/4-20 x 1



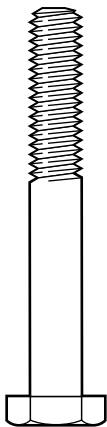
V 809 849 205
1/4-20 x 1-1/4



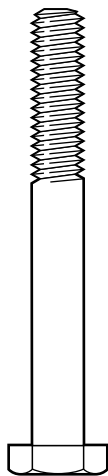
V 809 849 245
1/4-20 x 1-1/2



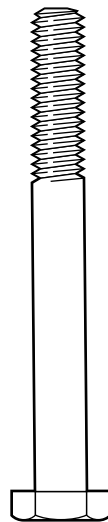
V 809 849 285
1/4-20 x 1-3/4



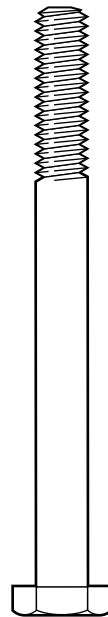
V 809 849 325
1/4-20 x 2



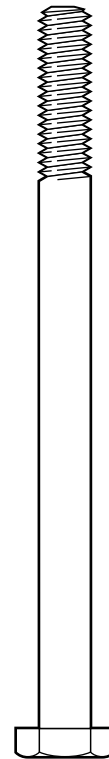
V 809 849 365
1/4-20 x 2-1/4



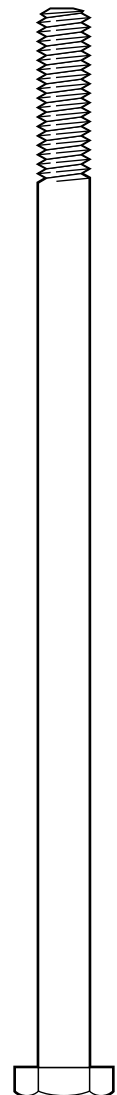
V 809 849 405
1/4-20 x 2-1/2



V 809 849 485
1/4-20 x 3



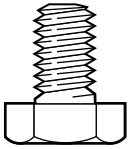
V 809 849 605
1/4-20 x 3-3/4



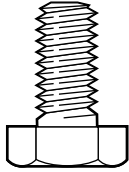
V 809 849 885
1/4-20 x 5-1/2



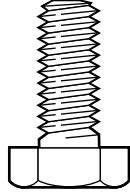
5/16-18 Hex Head Cap Screws



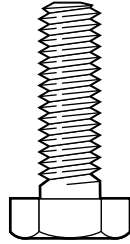
V 809 857 080
5/16-18 x 1/2



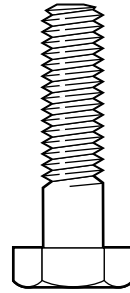
V 809 857 100
5/16-18 x 5/8



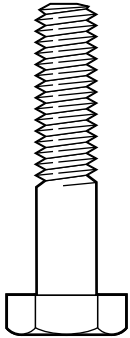
V 809 857 125
5/16-18 x 3/4



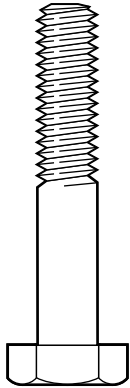
V 809 857 165
5/16-18 x 1



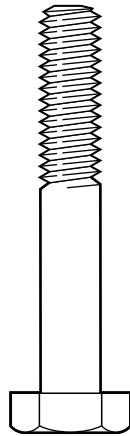
V 809 857 205
5/16-18 x 1-1/4



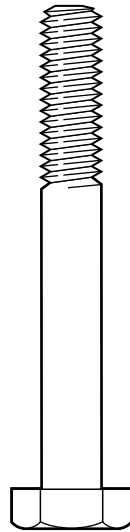
V 809 857 245
5/16-18 x 1-1/2



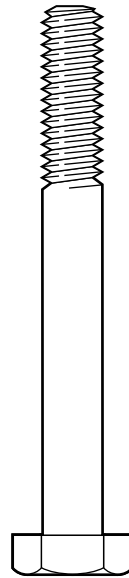
V 809 857 280
5/16-18 x 1-3/4



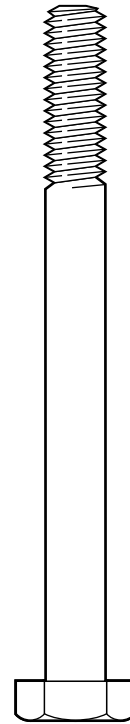
V 809 857 325
5/16-18 x 2



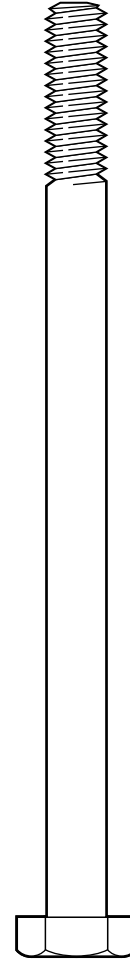
V 809 857 405
5/16-18 x 2-1/2



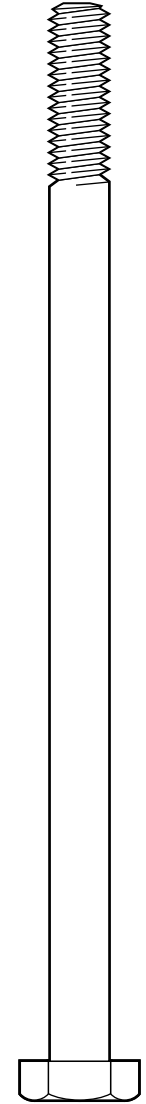
V 809 857 445
5/16-18 x 2-3/4



V 809 857 565
5/16-18 x 3-1/2

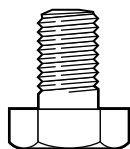


V 809 857 760
5/16-18 x 4-3/4

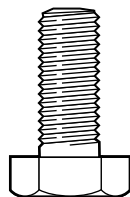


V 809 857 880
5/16-18 x 5-1/2

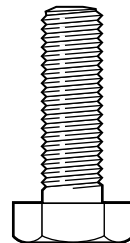
5/16-24 Hex Head Cap Screws



V 809 858 085
5/16-24 x 1/2

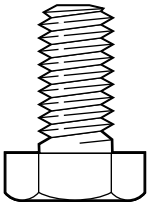


V 809 858 125
5/16-24 x 3/4

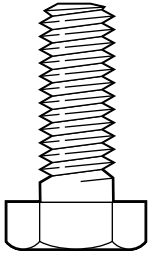


V 809 858 165
5/16-24 x 1

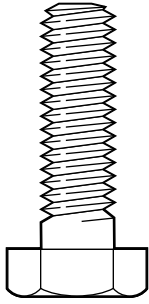
3/8-16 Hex Head Cap Screws



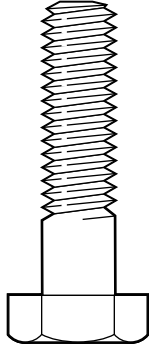
V 809 865 125
3/8-16 x 3/4



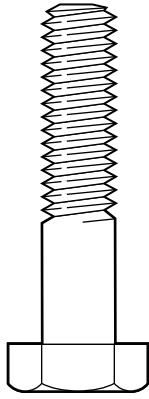
V 809 865 165
3/8-16 x 1



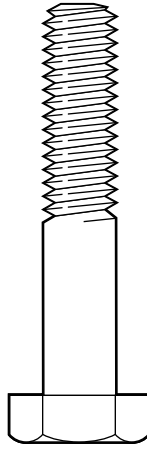
V 809 865 205
3/8-16 x 1-1/4



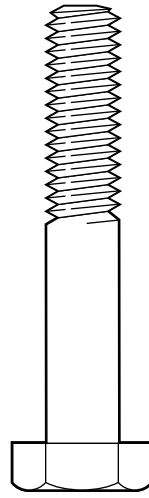
V 809 865 245
3/8-16 x 1-1/2



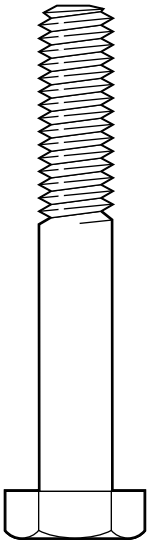
V 809 865 285
3/8-16 x 1-3/4



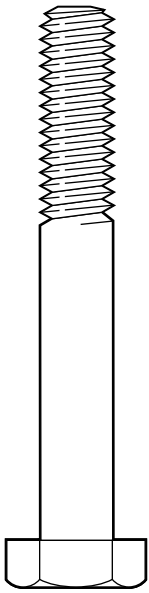
V 809 865 325
3/8-16 x 2



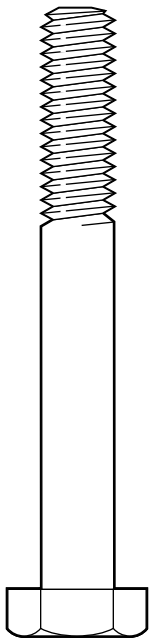
V 809 865 365
3/8-16 x 2-1/4



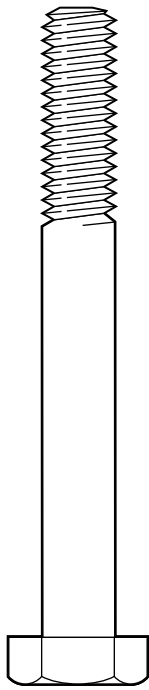
V 809 865 405
3/8-16 x 2-1/2



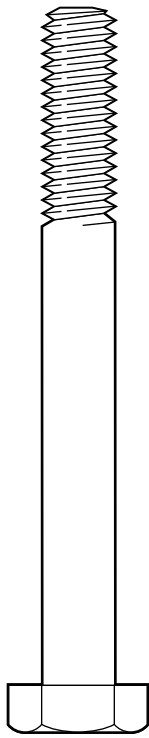
V 809 865 445
3/8-16 x 2-3/4



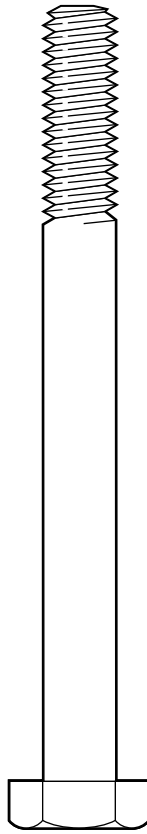
V 809 865 485
3/8-16 x 3



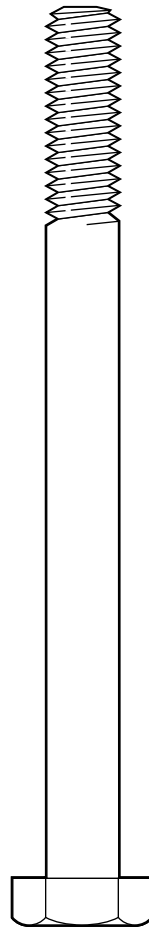
V 809 865 525
3/8-16 x 3-1/4



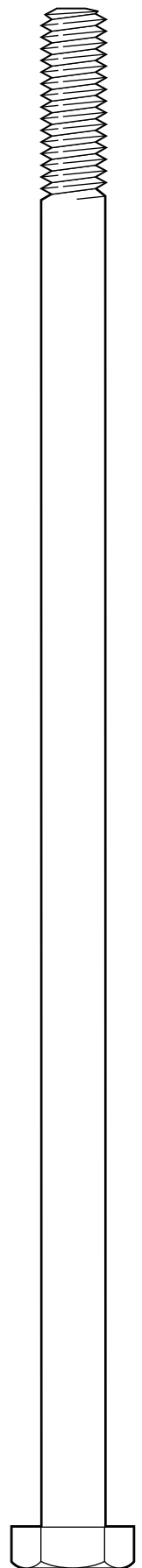
V 809 865 565
3/8-16 x 3-1/2



V 809 865 645
3/8-16 x 4



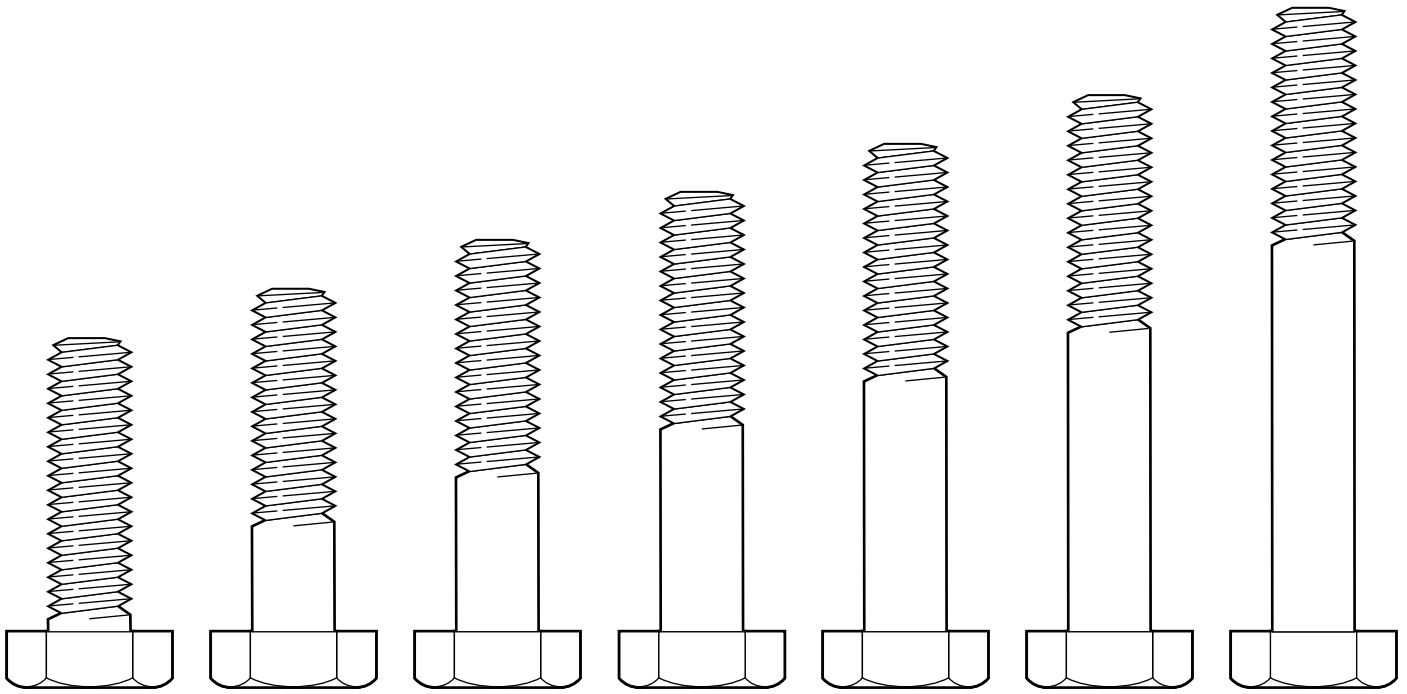
V 809 865 725
3/8-16 x 4-1/2



V 809 865 992
3/8-16 x 9



7/16-14 Hex Head Cap Screws



V 809 869 245
7/16-14 x 1-1/2

V 809 869 285
7/16-14 x 1-3/4

V 809 869 325
7/16-14 x 2

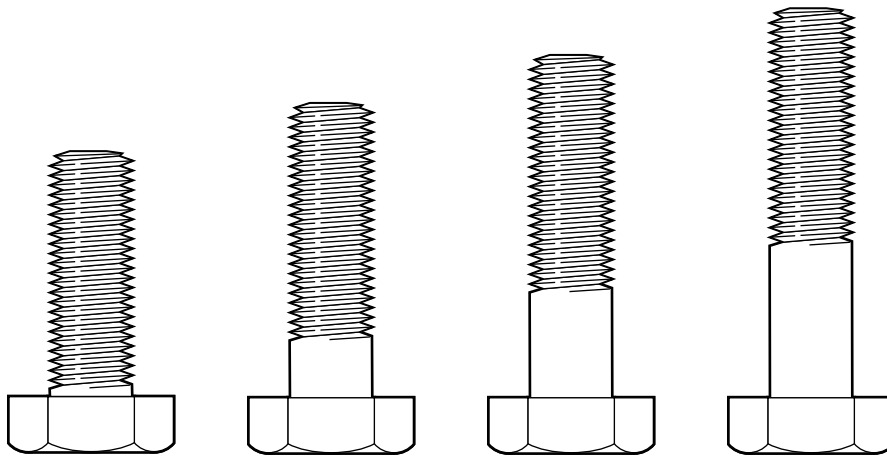
V 809 869 365
7/16-14 x 2-1/4

V 809 869 405
7/16-14 x 2-1/2

V 809 869 445
7/16-14 x 2-3/4

V 809 869 520
7/16-14 x 3-1/4

7/16-20 Hex Head Cap Screws



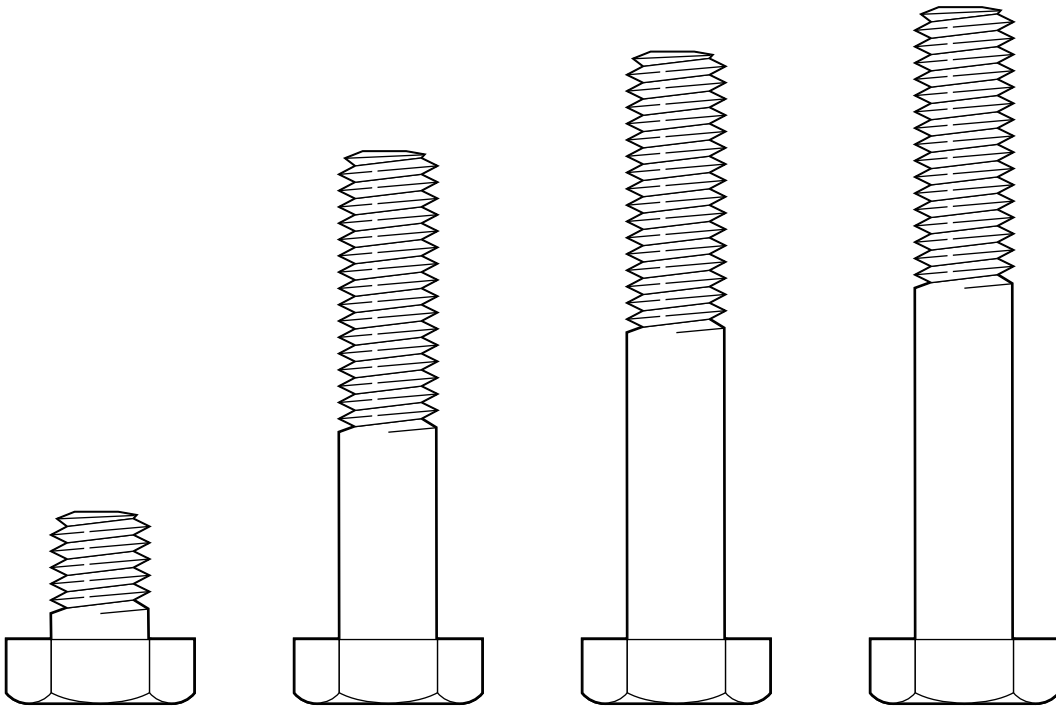
V 809 870 205
7/16-20 x 1-1/4

V 809 870 245
7/16-20 x 1-1/2

V 809 870 285
7/16-20 x 1-3/4

V 809 870 325
7/16-20 x 2

1/2-13 Hex Head Cap Screws



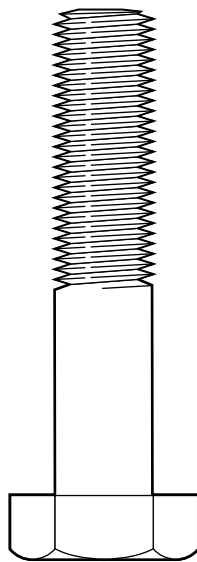
V 809 873 100
1/2-13 x 5/8

V 809 873 405
1/2-13 x 2-1/2

V 809 873 485
1/2-13 x 3

V 809 873 525
1/2-13 x 3-1/4

1/2-20 Hex Head Cap Screws

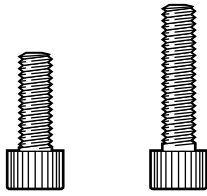


V 809 874 365
1/2-20 x 2-1/2



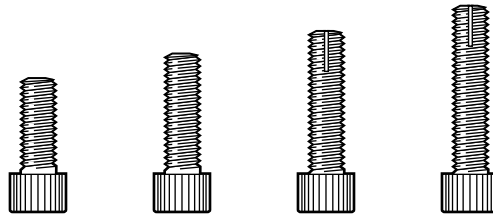
Socket Head Cap Screws

#8-32 Socket Head



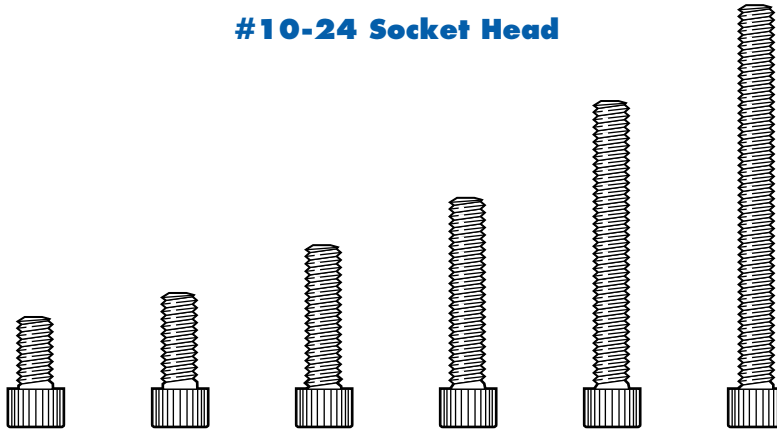
V 810 233 080 #8-32 x 1/2
V 810 233 120 #8-32 x 3/4

#10-32 Socket Head



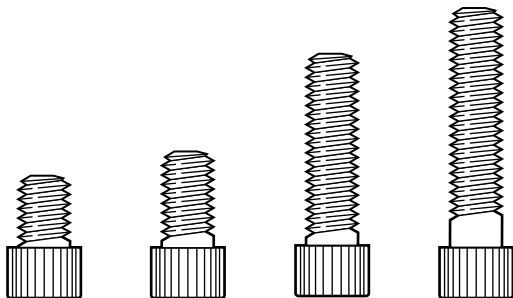
V 810 240 080 #10-32 x 1/2
V 810 240 100 #10-32 x 5/8
V 808 640 121 #10-32 x 3/4 WITH NYLOC®
V 808 640 141 #10-32 x 7/8 WITH NYLOC

#10-24 Socket Head



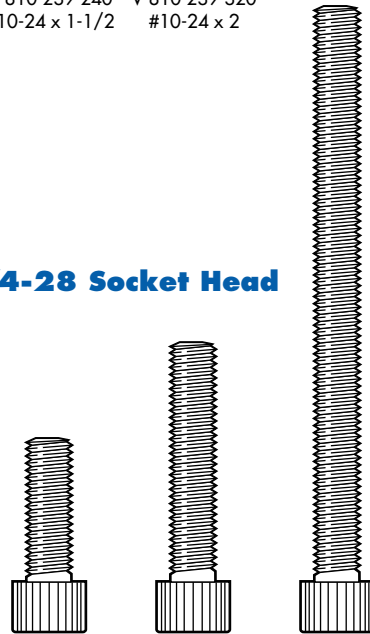
V 810 239 060 #10-24 x 3/8
V 810 239 080 #10-24 x 1/2
V 810 239 120 #10-24 x 3/4
V 810 239 160 #10-24 x 1
V 810 239 240 #10-24 x 1-1/2
V 810 239 320 #10-24 x 2

1/4-20 Socket Head



V 810 249 060 1/4-20 x 3/8
V 810 249 080 1/4-20 x 1/2
V 810 249 160 1/4-20 x 1
V 810 249 200 1/4-20 x 1-1/4

1/4-28 Socket Head

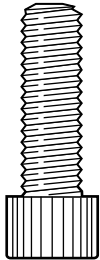


V 810 250 120 1/4-28 x 3/4
V 810 250 200 1/4-28 x 1-1/4
V 810 250 480 1/4-28 x 3

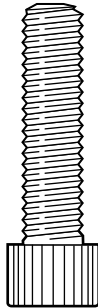


5/16-18 Socket Head

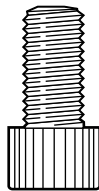
5/16-24 Socket Head



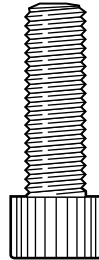
V 810 257 160
5/16-18 x 1



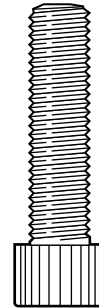
V 810 257 200
5/16-18 x 1-1/4



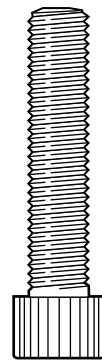
V 810 258 100
5/16-24 x 5/8



V 810 258 160
5/16-24 x 1

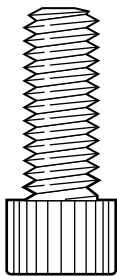


V 810 258 200
5/16-24 x 1-1/4

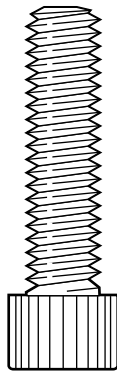


V 810 258 240
5/16-24 x 1-1/2

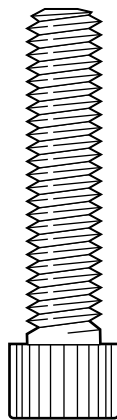
3/8-16 Socket Head



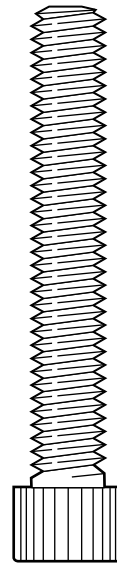
V 810 265 160
3/8-16 x 1



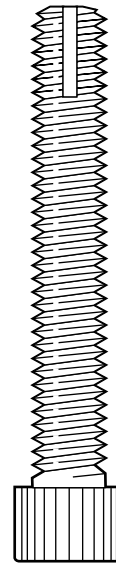
V 810 265 240
3/8-16 x 1-1/2



V 810 265 280
3/8-16 x 1-3/4



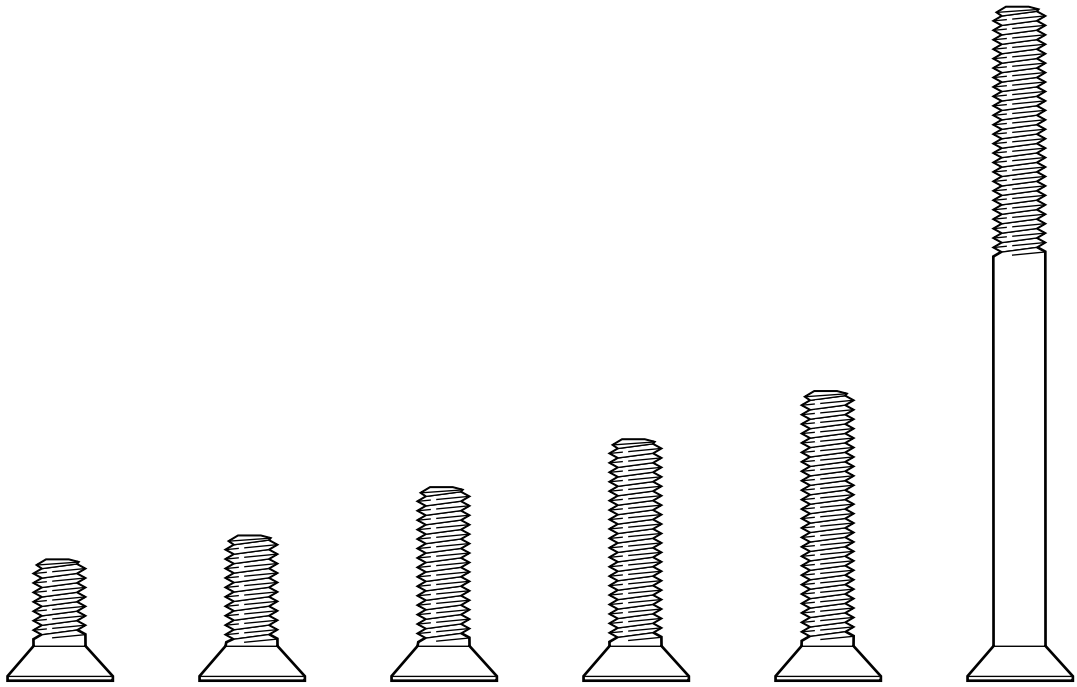
V 810 265 400
3/8-16 x 2-1/2



V 810 265 401
3/8-16 x 2-1/2
WITH NYLOC



1/4-20 Flat Head Socket Cap Screws



V 808 849 100
1/4-20 x 5/8

V 808 849 120
1/4-20 x 3/4

V 808 849 160
1/4-20 x 1

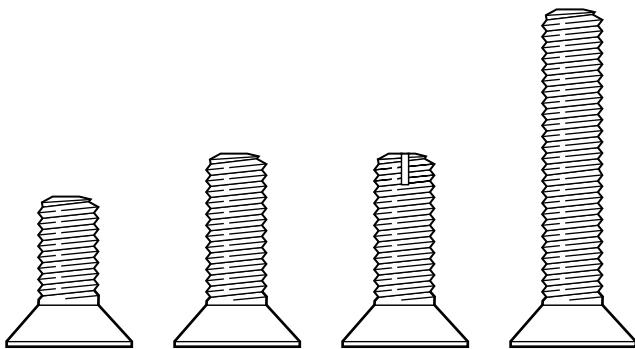
V 808 849 200
1/4-20 x 1-1/4

V 808 849 240
1/4-20 x 1-1/2

V 808 849 565
1/4-20 x 3-1/2

5/16-18 Flat Head Socket

5/16-24 Flat Head Socket

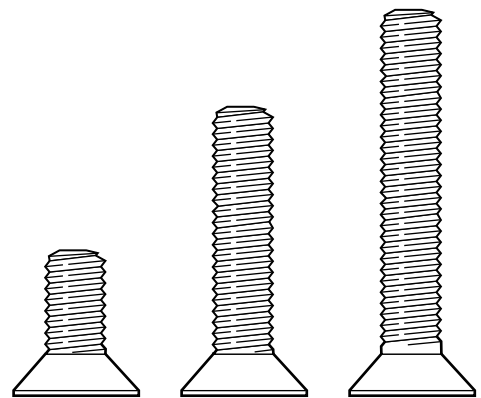


V 808 857 120
5/16-18 x 3/4

V 808 857 160
5/16-18 x 1

V 808 957 160
5/16-18 x 1
WITH NYLOC

V 808 857 280
5/16-18 x 1-3/4

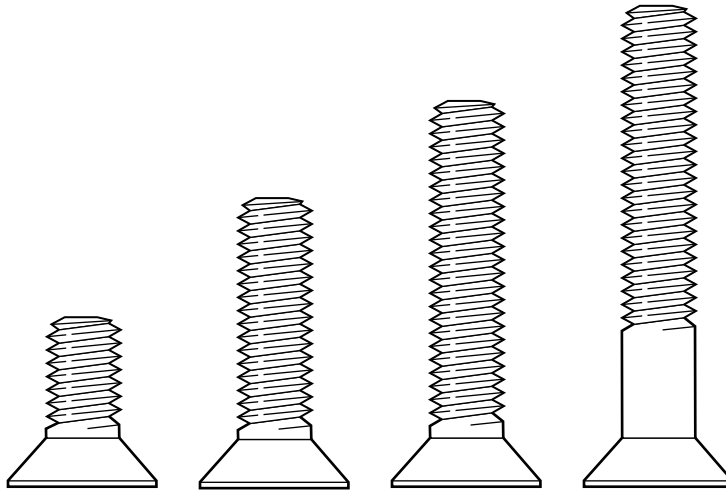


V 808 858 120
5/16-24 x 3/4

V 808 858 240
5/16-24 x 1-1/2

V 808 858 320
5/16-24 x 2

3/8-16 Flat Head Socket Cap Screws



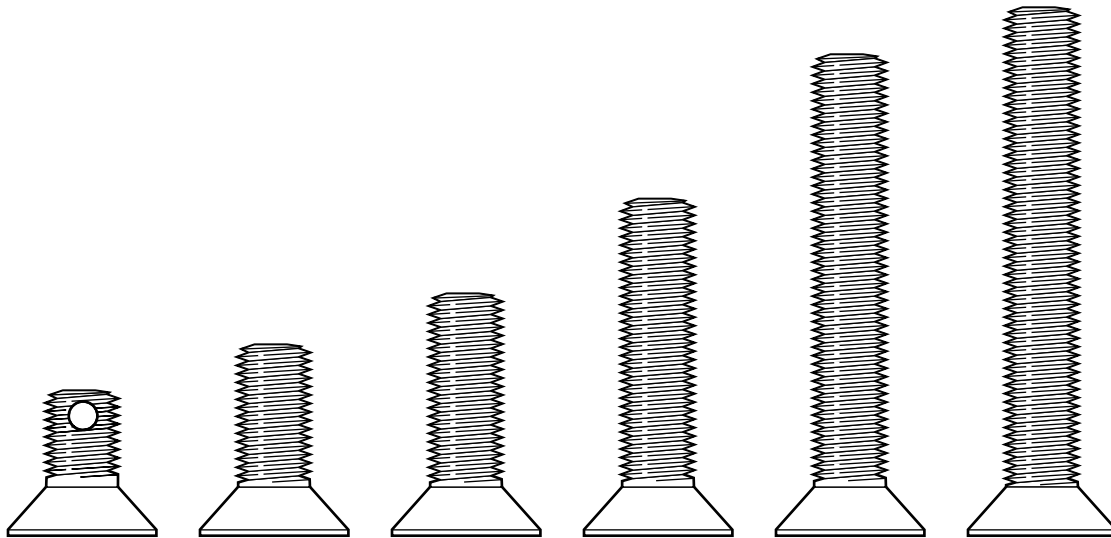
V 808 865 140
3/8-16 x 7/8

V 808 865 240
3/8-16 x 1-1/2

V 808 865 320
3/8-16 x 2

V 808 865 400
3/8-16 x 2-1/2

3/8-24 Flat Head Socket Cap Screws



V 000 025 662
3/8-24 x 3/4
WITH NYLOC

V 808 866 160
3/8-24 x 1

V 808 866 200
3/8-24 x 1-1/4

V 808 866 320
3/8-24 x 2

V 808 866 400
3/8-24 x 2-1/2

V 808 866 440
3/8-24 x 2-3/4



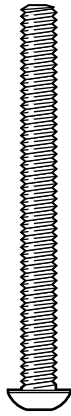
#10-24 Button Head

1/4-28 Button Head

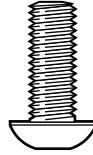
3/8-24 Button Head



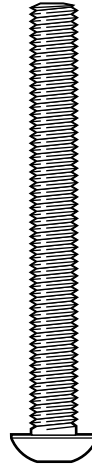
V 808 539 060
#10-24 x 3/8



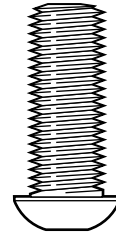
V 808 539 320
#10-24 x 2



V 808 550 100
1/4-28 x 5/8

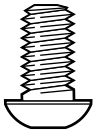


V 808 550 360
1/4-28 x 2-1/4

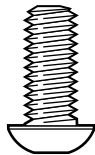


V 808 566 160
3/8-24 x 1

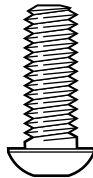
1/4-20 Button Head Socket Cap Screws



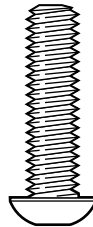
V 808 549 080
1/4-20 x 1/2



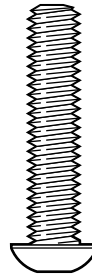
V 808 549 100
1/4-20 x 5/8



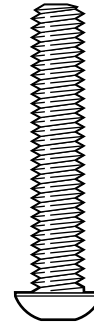
V 808 549 120
1/4-20 x 3/4



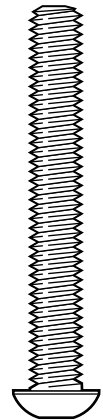
V 808 549 160
1/4-20 x 1



V 808 549 200
1/4-20 x 1-1/4

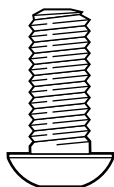


V 808 549 240
1/4-20 x 1-1/2

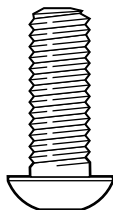


V 808 549 320
1/4-20 x 2

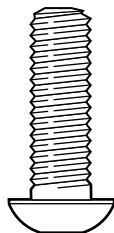
5/16-18 Button Head Socket Cap Screws



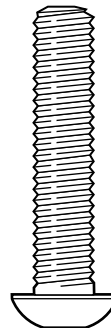
V 808 557 120
5/16-18 x 3/4



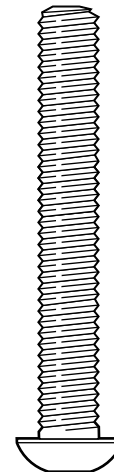
V 808 557 140
5/16-18 x 7/8



V 808 557 160
5/16-18 x 1



V 808 557 240
5/16-18 x 1-1/2



V 808 557 360
5/16-18 x 2-1/4

Flat Washers (SAE)



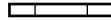
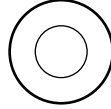
V 948 631 062
#4



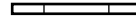
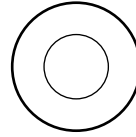
V 948 637 072
#6



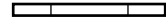
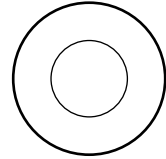
V 948 745 082
#8



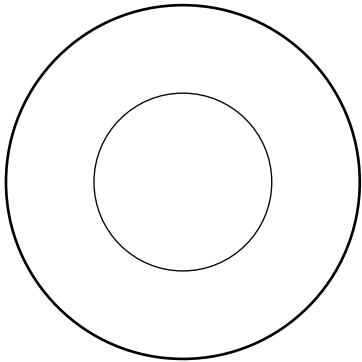
V 948 753 102
1/4



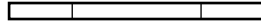
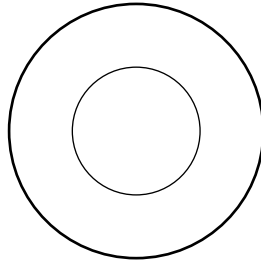
V 948 761 112
5/16



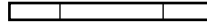
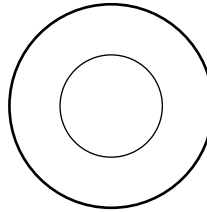
V 948 767 132
3/8



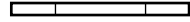
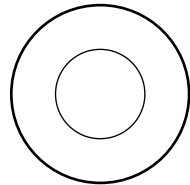
V 949 090 282
7/8



V 948 983 212
5/8

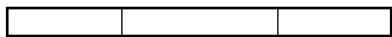
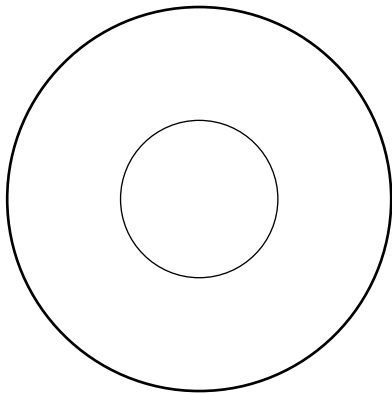


V 948 975 172
1/2

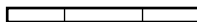
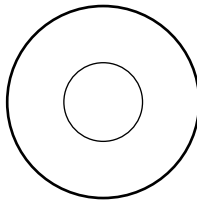


V 948 868 162
7/16

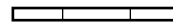
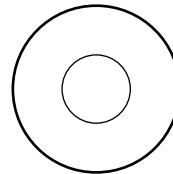
Flat Washers (USS)



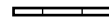
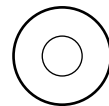
V 946 688 322
3/4



V 949 100 002
3/8



V 948 964 142
5/16



V 948 745 082
1/4



Split Lockwashers



V 951 112 002
#2



V 951 020 000
#4



V 951 026 002
#6



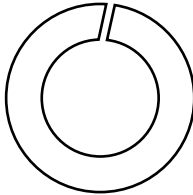
V 951 032 000
#8



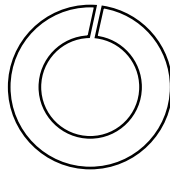
V 951 138 000
#10



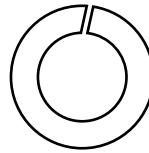
V 951 148 002
1/4



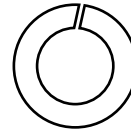
V 951 181 002
5/8



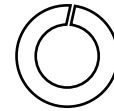
V 951 172 002
1/2



V 951 068 002
7/16



V 951 164 002
3/8



V 951 156 002
5/16

External Tooth Lockwashers



V 957 000 002
#8



V 957 100 002
#10

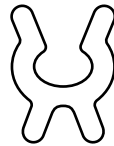
X-Washers



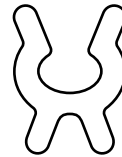
V 963 100 002



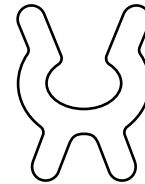
V 963 200 002



V 963 300 002



V 963 400 002



V 963 600 002



Standard Hex Nuts

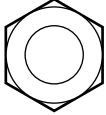
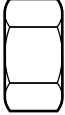
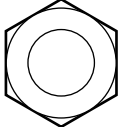
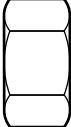
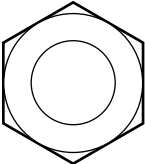
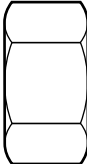
Machine Screw Nuts





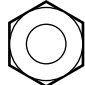

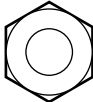

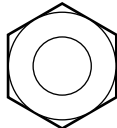

Course

Fine

Course

Fine

| | | | |
|-------------------------|---|---|--------------------------|
| |  |  | V 831 558 002 5/16-24 |
| V 831 565 002 3/8-16 |  |  | V 831 566 002 3/8-24 |
| V 831 573 002 1/2-13 |  |  | |

| | | | |
|--------------------------|---|---|-------------------------|
| |  |  | V 834 821 000 #4-40 |
| |  |  | V 834 527 002 #6-32 |
| V 835 539 002 #10-24 |  |  | V 835 540 002 #10-32 |
| V 834 549 002 1/4-20 |  |  | |
| V 834 557 002 5/16-18 |  |  | |



Nyloc Hex Nuts

Flexloc Hex Nuts

Course

Fine

Course

Fine



V 838 727 002
#6-32

V 840 039 002
#10-24



V 840 040 002
#10-32



V 839 533 002
#8-32

V 840 049 002
1/4-20

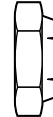


V 838 939 002
#10-24



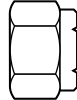
V 838 740 002
#10-32

V 840 057 002
5/16-18

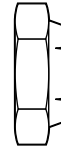
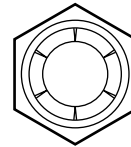


V 840 058 002
5/16-24

V 838 849 007
1/4-20

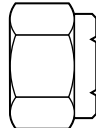
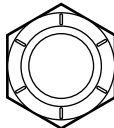


V 840 065 002
3/8-16

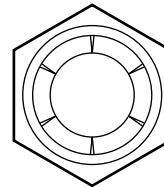


V 840 066 002
3/8-24

V 838 565 002
3/8-16



V 838 866 002
3/8-24



V 840 070 002
7/16-20

Jam Nuts

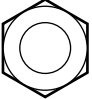

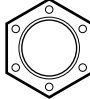
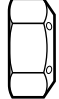
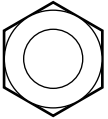

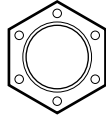
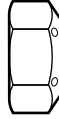
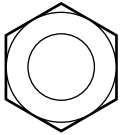

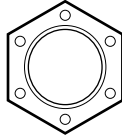
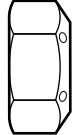
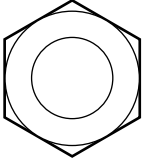

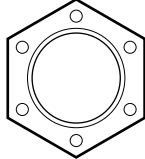

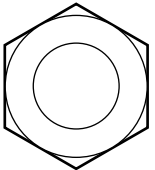

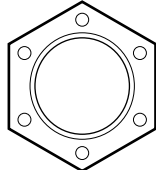
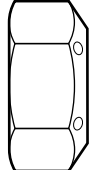
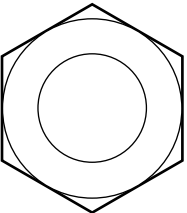

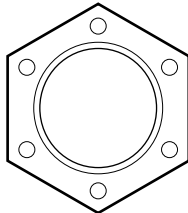
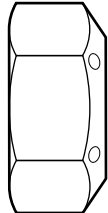
Stover Nuts

Course

Fine

Course

Fine

| | | | | | | | |
|-------------------------------|---|---|--|--------------------------|---|---|--------------------------|
| V 835 549 002 1/4-20 R.H. |  |  | V 835 550 002 1/4-28 R.H. V 835 650 002 1/4-28 L.H. | V 844 049 002 1/4-20 |  |  | V 844 050 002 1/4-28 |
| V 835 557 002 5/16-18 R.H. |  |  | V 835 558 002 5/16-24 R.H. | V 844 057 002 5/16-18 |  |  | V 844 058 002 5/16-24 |
| V 835 565 002 3/8-16 R.H. |  |  | V 835 566 002 3/8-24 R.H. | V 844 065 002 3/8-16 |  |  | V 844 066 002 3/8-24 |
| |  |  | V 835 570 002 7/16-20 R.H. V 835 670 002 7/16-20 L.H. | V 844 069 002 7/16-14 |  |  | V 844 070 002 7/16-20 |
| V 835 573 002 1/2-13 R.H. |  |  | V 835 574 002 1/2-20 R.H. V 835 674 002 1/2-20 L.H. | V 844 073 002 1/2-13 |  |  | V 844 074 002 1/2-20 |
| |  |  | V 835 582 002 5/8-18 R.H. | V 844 081 002 5/8-11 |  |  | |



External Retaining Rings



V 919 005 000
EXTERNAL



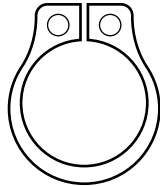
V 919 005 200
EXTERNAL



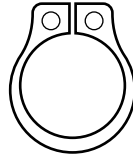
V 919 005 300
EXTERNAL



V 919 005 400
EXTERNAL



V 919 005 500
EXTERNAL



V 919 005 600
EXTERNAL

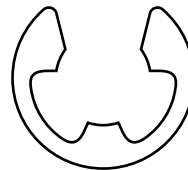


V 919 005 800
EXTERNAL

E-Clip Retaining Rings

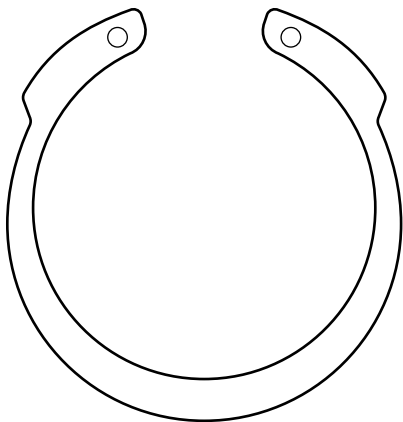


V 919 010 200
E-CLIP

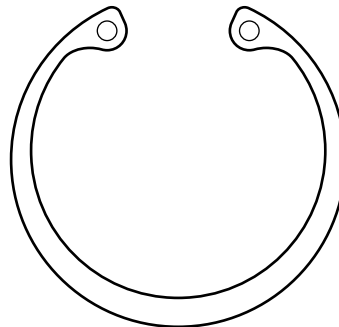


V 919 010 700
E-CLIP

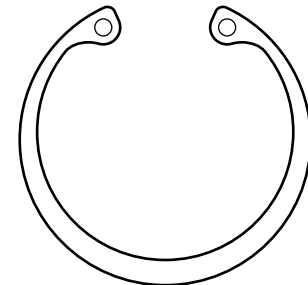
Internal Retaining Rings



V 919 004 200
INTERNAL



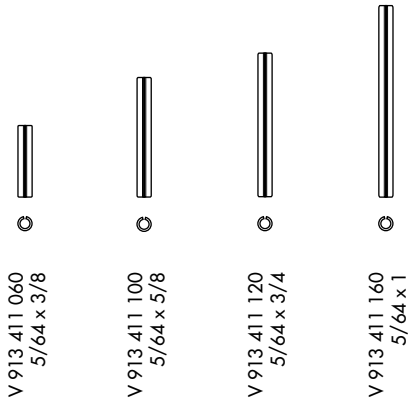
V 919 000 700
INTERNAL



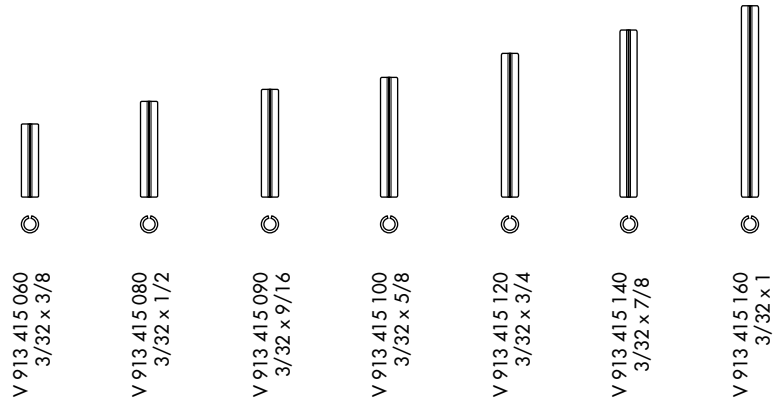
V 919 000 600
INTERNAL



5/64 Roll Pins



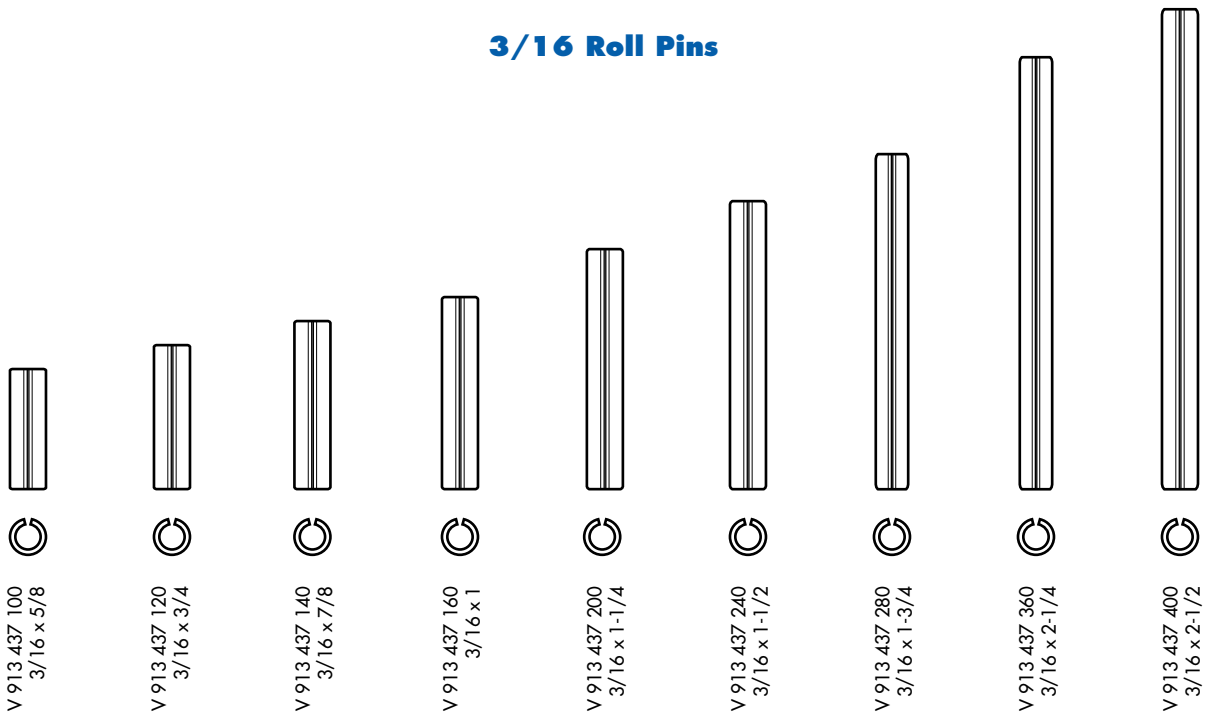
3/32 Roll Pins



1/8 Roll Pins



3/16 Roll Pins





| Part # | Page # | Part # | Page # | Part # | Page # | Part # | Page # | Part # | Page # |
|-------------|----------------|---------------|----------------|-------------|----------|------------|----------|-----------------|---------|
| VFL001 | 75 | V000021714 | 44 | V000022093 | 71 | V000022823 | 23 | V000024510 | 26 |
| VFL-001FUSE | | V000021744 | 44 | V000022096 | 58 | V000022824 | 23 | V000024511 | 26 |
| VFL002 | 75 | V000021786 | FR | V000022099 | 78 | V000022828 | 23 | V000024512 | 26,27 |
| VFL003 | 75 | V000021787 | FR | V000022099A | 78 | V000022869 | 60 | V000024513 | 26,27 |
| VFL004 | | V000021813 | 63 | V000022168 | 34,64 | V000022878 | 26,27 | V000024515 | 26 |
| VLF002L | | V000021814 | 63 | V000022172 | 21 | V000022924 | 26,27 | V000024516 | 26 |
| VTS001CB | | V000021878 | 46 | V000022173 | 31,33,58 | V000022926 | 27 | V000024534 | 23 |
| VTS001PH | | V000021880 | 46 | V000022195 | 66 | V000023104 | 18,49 | V000024576 | 10,25 |
| V000020855 | 29 | V000021880A | 46 | V000022218 | 58 | V000023105 | 49 | V000024578 | 10,25 |
| V000021204 | 26,27,64 | V000021881 | 46 | V000022219 | 29 | V000023114 | 18,39,49 | V000024579 | 10,25 |
| V000021210 | 29 | V000021905 | 44,45 | V000022222 | 29 | V000023139 | 45 | V000024580 | 10,25 |
| V000021211 | 29 | V000021914 | 10,25 | V000022249 | 27 | V000023160 | 49 | V000024582 | 10,25 |
| V000021211B | 29 | V000021992 | 20,23,29 34 | V000022286 | 23 | V000023161 | 49 | V000024590 | 10,25 |
| V000021211S | 29 | V000022063 | 59 | V000022287 | 23 | V000023182 | 19,48 | V000024592 | 10,25 |
| V000021224 | 10,25 | V000022064 | 59 | V000022288 | 23 | V000023216 | 49 | V000024597 | 10,25 |
| V000021407 | 58 | V000022068 | 71 | V000022296 | 23 | V000023265 | 74 | V000024598 | 9,21 |
| V000021408 | 57,59 | V000022069 | 27 | V000022300 | 26,27 | V000023431 | 26,27 | V000024603 | 57 |
| V000021409 | 59 | V000022077 | 58 | V000022369 | 31 | V000023432 | 26,27 | V000024604 | 9,57,78 |
| V000021417 | 58 | V000022079 | 58 | V000022385 | 65 | V000023464 | 26,27 | V000024604KIT 9 | |
| V000021420 | 25 | V000022080 | 58 | V000022580 | 42 | V000023465 | 26,27 | V000024605 | 57 |
| V000021423 | 15,45,59 60 | V0000220801 | 58 | V000022717 | 31 | V000023467 | 26,27 | V000024606 | 57 |
| V000021427 | 60 | V00002208010 | 58 | V000022737 | 42 | V000023468 | 26 | V000024607 | 57 |
| V000021431 | 23,64 | V000022080111 | 58 | V000022738 | 42 | V000023520 | 71 | V000024608 | 57 |
| V000021442 | 45 | V000022080112 | 58 | V000022770 | 23 | V000023621 | 23 | V000024610 | 27 |
| V000021443 | | V0000220802 | 58 | V000022782 | 17,46 | V000023673 | 21 | V000024612 | 58 |
| V000021527 | 49 | V0000220804 | 58 | V000022788 | 26,27 | V000023758 | 21 | V000024614 | 58 |
| V000021528 | 49 | V0000220805 | 58 | V000022794 | 26,27 | V000023821 | 26 | V000024615 | 58,60 |
| V000021575 | 34,44 | V0000220806 | 58 | V000022795 | 26,27 | V000023856 | 65 | V000024616 | 60 |
| V000021645 | 42,44,45 | V0000220809 | 58 | V000022811 | 49 | V000023913 | 65 | V000024618 | 58 |
| V000021652 | | V000022082 | 58 | V000022821 | 21,23 | V000024507 | 26,27 | V000024619 | |
| V000021683 | 44,45 | V000022092 | 58 | V000022822 | 23 | V000024508 | 26,27 | V000024622 | 58 |

D = Discontinued Part
FR = Frame



| Part # | Page # | Part # | Page # | Part # | Page # | Part # | Page # | Part # | Page # |
|--------------|----------------|---------------|----------|-------------|----------------|------------|----------|---------------|--------|
| V000024623 | 27 | V000024795 | 22,23 | V000025622 | 10,25 | V000026836 | 74 | V000028237 | 64,65 |
| V000024624 | 27 | V0000247956 | 22,23 | V000025638 | 58 | V000026852 | 65 | V000028238 | 65 |
| V000024625 | 27 | V0000247956L | 22 | V000025662 | 10,25,87 | V000026855 | 65 | V000028239 | 65 |
| V000024626 | 27 | V0000247956LK | 22 | V000025669 | 66 | V000026860 | 65 | V000028240 | 65 |
| V000024628 | 58 | V000024796 | 22,23 | V000025673 | 65 | V000026865 | 31,41,62 | V000028241 | 66 |
| V000024641 | 27 | V000024801 | 23 | V00002576 | | V000026878 | 65 | V000028316 | 65 |
| V000024645 | 57 | V000024806 | | V000025803 | 26,27 | V000026890 | 26 | V000028334 | 26 |
| V000024648 | 57 | V000024807 | 23 | V000025804 | 26 | V000027014 | 29 | V000028362 | 64 |
| V000024650 | 57 | V000024808 | 23 | V000025863 | 73 | V000027099 | FR | V000028409 | 73 |
| V000024651 | 57 | V000024811 | 57 | V000025865 | 74 | V000027100 | FR | V000028410 | 73 |
| V000024657 | 42,44,45 64 | V0000248112 | 57 | V000025879 | 73 | V000027264 | 60 | V000028441 | 73 |
| V000024659 | 57 | V000024812 | 57 | V000025906 | 72 | V000027368 | D | V000028442 | 73 |
| V000024659A | 57 | V000024890 | 26 | V000025907 | 73 | V000027372 | D | V000028495 | FR |
| V000024659AK | 57 | V000024892 | 31 | V000026027 | 45,74 | V000027390 | 21,31 | V000028519U | 22,23 |
| V000024661 | 57 | V000024893 | 31 | V000026031 | 33,59,60 64 | V000027403 | 65 | V000028737 | 57 |
| V0000246615 | 57 | V000025004 | 14,47,49 | V000026032 | 20,29,64 | V000027641 | 26,27 | V000028754 | 73 |
| V000024663 | 57,63 | V000025005 | 14,47,49 | V000026037 | 74 | V000027642 | 26,27 | V000028771 | 57 |
| V0000246634 | 57 | V000025068 | 73 | V000026042 | 44,45,73 | V000027645 | 26 | V000028772 | 57 |
| V000024666 | 63 | V000025078 | 73 | V000026043 | 23,34,73 | V000027646 | 26 | V000028773 | 57 |
| V000024668 | 27,63 | V000025079 | 73 | V000026081 | 31 | V000027655 | 53,72 | V000028864 | 78 |
| V000024673 | 64 | V0000251241 | 74 | V000026247 | 73 | V000027660 | 73 | V000028865 | 78 |
| V000024678 | 58 | V000025144 | 73 | V000026251 | 33,34 | V000027707 | 66 | V000029015 | 26,27 |
| V000024679 | 31,33,58 62 | V000025183 | 73 | V000026401 | 44 | V000027708 | 66 | V000029015KIT | 26,27 |
| V000024683 | | V000025207 | 26 | V000026419 | 44,45 | V000027710 | 78 | V000029015W | 26,27 |
| V000024689 | D | V000025208 | 26 | V000026445 | 23 | V000027870 | 74 | V000029068 | 20,29 |
| V000024716 | 57 | V000025292 | 74 | V000026446 | 34,60,63 | V000027873 | 45,74 | V000029073 | 11,31 |
| V000024719 | 74 | V000025549 | 39 | V000026461 | 31 | V000027996 | 57 | V000029201 | 29 |
| V000024720 | 57 | V000025556 | 73 | V000026464 | 26,27 | V000027998 | 57 | V000029202 | 29,64 |
| V000024736 | | V000025557 | 73 | V000026753 | 10,24,25 | V000028036 | 23 | V000029203 | 29 |
| V000024745 | 58 | V000025590 | 53 | V000026753M | 10,24,25 | V000028057 | 57 | V000029317 | 26 |
| | | V000025621 | 58 | V000026753S | 10,24,25 | V000028078 | 73 | V000029433 | 71 |

D = Discontinued Part
FR = Frame



| Part # | Page # | Part # | Page # | Part # | Page # | Part # | Page # | Part # | Page # |
|---------------|--------|---------------|--------|------------|--------|-------------|--------|------------|--------|
| V000029508 | 64 | V000029671BS | 8 | V030003227 | 64 | V030005721 | 65 | V030008542 | 67 |
| V000029600 | 78 | V000029671BSR | 8 | V030003248 | 64 | V030005722 | 65 | V030008780 | 57,66 |
| V000029601 | 58,64 | V000029671S | 8 | V030003257 | 67 | V030005723 | 65 | V030008792 | 78 |
| V000029603 | 59 | V000029672 | | V030003433 | 67 | V030006017 | 78 | V057001003 | 71 |
| V000029605 | 59 | V000029695 | 58 | V030003434 | 67 | V030006026 | 67 | V057001228 | 73 |
| V000029606 | 59 | V000029696 | 60 | V030003449 | 64 | V030006456 | 64 | V057001229 | 73 |
| V000029608 | 59 | V000029697 | 60 | V030003451 | 64 | V030006457 | 64 | V057001238 | 70 |
| V000029609 | 59,64 | V000029898 | 25 | V030003542 | 76 | V030006495 | 66 | V070001184 | FR |
| V000029611 | 58,60 | V000029899 | 25 | V030003896 | 67 | V0300065261 | 74 | V070001185 | D |
| V000029613 | 57 | V000029924 | 25 | V030003903 | 64 | V030006546 | 67 | V070001195 | FR |
| V000029614 | 34,58 | V000029925 | 25 | V030003912 | 78 | V030006548 | 67 | V070001357 | D |
| V000029624 | 23 | V000029926 | 25 | V030003943 | 53,77 | V030006622 | 64 | V070001389 | 23 |
| V000029626 | 10,25 | V000029959 | 58 | V030004031 | 77 | V030006631 | 64 | V070001396 | 23 |
| V000029627 | | V030001119 | | V030004517 | 64 | V030006662 | | V070001411 | 59 |
| V000029629 | 63 | V030001121 | 64 | V030004702 | 73 | V030006663 | 64 | V070001412 | FR |
| V000029640 | 27 | V030001122 | 67 | V030004703 | 73 | V030006846 | 66 | V070001415 | 20,29 |
| V000029656 | 25 | V030001148 | 67 | V030005093 | 67 | V030007133 | 65 | V070001421 | 23 |
| V000029657 | 59 | V030001170 | 67 | V030005126 | 66 | V030007633U | 65 | V070001422 | 23 |
| V000029659 | 59 | V030001331 | 67 | V030005145 | | V030007633C | 65 | V070001432 | 23 |
| V000029660 | 57 | V030001369 | 67 | V030005146 | | V030007633R | 65 | V070001450 | 27 |
| V000029661 | 57 | V030001488 | 67 | V030005197 | 78 | V030007850 | 64 | V070001451 | 26 |
| V000029661 | | V030001690 | 64 | V030005261 | 67 | V030008089 | 66 | V070001557 | 14,47 |
| V000029671 | 58 | V030001694 | 64 | V030005262 | 67 | V030008164 | 67 | V070001558 | 47 |
| V000029671A | 8,58 | V030002114 | 67 | V030005263 | 67 | V030008166 | 64 | V070001562 | 47 |
| V000029671A2 | | V030002155 | 66 | V030005264 | 67 | V030008301 | 67 | V070001583 | 42 |
| V000029671A3 | | V030002171 | 67 | V030005284 | 67 | V030008309 | 66 | V070001584 | |
| V000029671AE | | V030002540 | 67 | V030005648 | 66 | V030008310 | 66 | V070001585 | 47 |
| V000029671AS | | V030002748 | 76 | V030005660 | 65 | V030008352 | 67 | V070001587 | 47 |
| V000029671BB | 8 | V030002792 | 66 | V030005661 | 65 | V030008361 | 48 | V070001591 | 47 |
| V000029671BD | 8 | V030002793 | 66 | V030005662 | | V030008370 | 67 | V070001598 | 47 |
| V000029671BLR | 8 | V030003055 | 23 | V030005670 | 65 | V030008378 | 67 | V070001601 | 14,47 |

D = Discontinued Part
FR = Frame



| Part # | Page # | Part # | Page # | Part # | Page # | Part # | Page # | Part # | Page # |
|-------------|--------|-------------|----------|------------|----------|------------|----------------------|------------|----------|
| V070001602 | 47 | V070001910 | 47 | V070002260 | 23 | V070002624 | 39 | V070002685 | 40 |
| V070001605 | 47 | V070001917 | 46 | V070002500 | D | V070002628 | 40 | V070002686 | 40 |
| V070001606 | 14,47 | V070001919 | 47 | V070002538 | 41 | V070002629 | 40 | V070002688 | 39 |
| V070001607 | 47 | V070001931 | 46 | V070002570 | 40 | V070002630 | 12,13,40 | V070002689 | 39 |
| V070001653 | FR | V070001932 | 46 | V070002573 | 38 | V070002632 | 40 | V070002691 | 47 |
| V070001664 | 45,47 | V070001995 | 57 | V070002577 | 42 | V070002633 | 40 | V070002695 | 12.13 |
| V070001668 | 46 | V070001995A | 57 | V070002578 | 14,15,42 | V070002642 | 40 | V070002698 | 39 |
| V070001698 | | V070001997 | 47 | V070002579 | 15,42 | V070002644 | 40 | V070002701 | 42 |
| V070001699 | 45 | V070002004 | | V070002581 | 42 | V070002645 | 12.13,40 | V070002702 | 42 |
| V070001700 | 47 | V070002005 | 29,78 | V070002582 | 41 | V070002646 | 40 | V070002708 | 41 |
| V070001707 | 44,47 | V070002007 | 21,26,27 | V070002583 | 42 | V070002647 | 40 | V070002715 | 42 |
| V070001751 | 47 | V070002010 | 55 | V070002584 | 42 | V070002649 | 40 | V070002719 | 39 |
| V070001774 | 45 | V070002012 | | V070002585 | 42 | V070002650 | 40 | V070002723 | 39 |
| V070001777 | 45 | V070002013 | | V070002590 | 15,42 | V070002651 | 12,13 | V070002725 | 15 NA |
| V070001804 | 42 | V070002027 | 26 | V070002592 | 42 | V070002651 | | V070002725 | |
| V070001807 | 15,42 | V070002034 | 10,25 | V070002594 | 42 | V070002652 | 40,41,42 46 | V070002726 | 42 |
| V070001817 | D | V070002050 | 23 | V070002595 | 14 NA | V070002653 | 12,13,40 41,42,45 | V070002727 | 14,15,42 |
| V070001822 | D | V070002060 | 23 | V070002596 | | | | V070002728 | 14,42 |
| V070001840 | 46 | V070002072 | 59 | V070002600 | 38,39 | V070002654 | 40 | V070002732 | 42 |
| V070001849 | 46 | V070002074 | 55 | V070002602 | 39 | V070002655 | | V070002733 | 42 |
| V070001852 | 46 | V070002084 | 55 | V070002603 | 39 | V070002661 | | V070002734 | 42 |
| V070001853 | 46 | V070002097 | 25 | V070002608 | 39 | V070002663 | | V070002745 | 15,42 |
| V070001857 | 33,46 | V070002157 | FR | V070002609 | 39 | V070002664 | 39 | V070002750 | 12,13,40 |
| V070001857L | 33,46 | V070002169 | | V070002612 | 39 | V070002665 | 39 | V070002751 | 42 |
| V070001866 | 46 | V070002175 | 57 | V070002615 | 39 | V070002667 | | V070002752 | 40 |
| V070001871 | 42 | V070002200 | D | V070002616 | 39 | V070002671 | 41 | V070002758 | 41 |
| V070001877 | 46 | V070002201 | D | V070002617 | 39 | V070002678 | 41 | V070002766 | 41 |
| V070001893 | 46 | V070002212 | 55 | V070002618 | 39 | V070002680 | 42 | V070002767 | 40,41 |
| V070001894 | 46 | V070002214 | 55 | V070002619 | 41 | V070002681 | 42 | V070002768 | 41 |
| V070001898 | 46 | V070002216 | | V070002620 | 39 | V070002683 | 39 | V070002769 | 41 |
| V0700019078 | | V070002252 | 23 | V070002623 | 38,39 | V070002684 | D | V070002770 | 41 |

D = Discontinued Part
FR = Frame



| Part # | Page # | Part # | Page # | Part # | Page # | Part # | Page # | Part # | Page # |
|--------------|--------|------------|--------|------------|--------|------------|---------|------------|--------|
| V070002771 | 41 | V070003158 | 49 | V070004813 | 56,57 | V070006021 | 33 | V070006076 | 31 |
| V070002772 | 41 | V070003159 | 49 | V070005094 | 73 | V070006022 | 33 | V070006077 | 31 |
| V070002773 | 41 | V070003162 | 49 | V070005451 | D | V070006029 | 33 | V070006082 | 31 |
| V070002774 | 41 | V070003173 | 49 | V070005465 | D | V070006030 | 20,29 | V070006084 | 31 |
| V070002776 | 46 | V070003180 | 48 | V070005466 | D | V070006034 | 31 | V070006087 | 31 |
| V070002777 | 46 | V070003184 | 49 | V070005472 | D | V070006035 | 33 | V070006091 | 31 |
| V070002778 | 46 | V070003189 | 49 | V070005515 | 73 | V070006036 | 33 | V070006097 | |
| V070002780 | 46 | V070003190 | 49 | V070005521 | D | V070006037 | 33 | V070006098 | 20,29 |
| V070002781 | 15,42 | V070003191 | 49 | V070005529 | 74 | V070006042 | 33 | V070006099 | 20,29 |
| V070002784 | 39,63 | V070003195 | 49 | V070005530 | 74 | V070006043 | 20,29 | V070006101 | 31 |
| V070002784S | 39 | V070003221 | 18,21 | V070005531 | D | V070006044 | 20,29 | V070006102 | 31 |
| V070002787 | 39 | V070003222 | 49 | V070005539 | 74 | V070006045 | 20,29 | V070006103 | 33 |
| V070002788 | 39 | V070003223 | 49 | V070005542 | 73 | V070006046 | 8,29,45 | V070006104 | 33 |
| V070002792 | 40 | V070003231 | 49 | V070005570 | FR | V070006047 | 20,29 | V070006105 | 33 |
| V070002798 | 39 | V070003232 | 18 | V070005602 | 41 | V070006048 | 17 | V070006106 | 33 |
| V070002809 | 8.39 | V070003233 | 18 | V070005604 | 73 | V070006049 | 31 | V070006107 | 33 |
| V070002809A | 39 | V070003234 | 49 | V070005610 | 23 | V070006051 | 31 | V070006108 | 33,34 |
| V070002809AS | 39 | V070003235 | 49 | V070005614 | D | V070006055 | 33 | V070006109 | 33 |
| V070002809L | 8,39 | V070003236 | 48 | V070005615 | D | V070006060 | 31 | V070006111 | 31 |
| V070002813 | 40 | V070003238 | 49 | V070005616 | D | V070006061 | 31 | V070006116 | 33,45 |
| V070002814 | 41 | V070003242 | 49 | V070005666 | 74 | V070006064 | 31 | V070006117 | 33 |
| V070002815 | 41 | V070003243 | 18 | V070005883 | 73 | V070006065 | 31 | V070006118 | 33 |
| V070002816 | 15,42 | V070003245 | 49 | V070006002 | | V070006066 | 31 | V070006120 | 33 |
| V070002818 | 39 | V070004630 | 58 | V070006004 | 33 | V070006067 | 31 | V070006121 | 18,31 |
| V070002824 | 46 | V070004642 | 27 | V070006009 | 33 | V070006068 | 31 | V070006124 | 31 |
| V070003103 | 49 | V070004654 | | V070006011 | 33 | V070006069 | 31 | V070006125 | 31 |
| V070003106 | 18,49 | V070004669 | 63 | V070006013 | 33 | V070006071 | 31 | V070006126 | 31 |
| V070003115 | 49 | V070004670 | 63 | V070006014 | 33 | V070006072 | | V070006128 | 31 |
| V070003116 | 49 | V070004690 | FR | V070006015 | 33 | V070006073 | 31 | V070006130 | 31 |
| V070003117 | 18 | V070004713 | FR | V070006016 | 33 | V070006074 | 31 | V070006136 | 31 |
| V070003132 | 49 | V070004738 | FR | V070006019 | 33 | V070006075 | 31 | V070006137 | 33 |

D = Discontinued Part
FR = Frame



| Part # | Page # | Part # | Page # | Part # | Page # | Part # | Page # | Part # | Page # |
|---------------|-------------------|--------------|--------|------------|--------|------------|----------|--------------|--------|
| V070006139 | 33 | V070006278 | 45 | V070006360 | | V070006425 | FR | V070006659 | 33 |
| V070006140 | 33 | V070006279 | 45 | V070006361 | 34 | V070006426 | FR | V070006661 | 33 |
| V070006142 | 31,33,34 45,62 | V070006280 | 45 | V070006363 | 34 | V070006427 | 47 | V070006663 | 31 |
| V070006143 | 29,31 | V070006282 | 45 | V070006364 | 34 | V070006429 | 35 | V070006666 | 31 |
| V070006144 | 31 | V070006283 | 45 | V070006365 | 34 | V070006432 | FR | V070006667 | 31 |
| V070006149 | 31 | V070006284 | 45 | V070006366 | 34 | V070006433 | D | V070006668 | 31 |
| V070006211 | 51,55 | V070006285 | 45 | V070006369 | 34 | V070006434 | D | V070006668OS | 31 |
| V070006211KIT | | V070006286 | 45 | V070006370 | 34 | V070006438 | D | V070006669 | 41 |
| V070006212 | 51,55 | V070006287 | 45 | V070006371 | 34 | V070006439 | D | V070006672 | 33 |
| V070006212KIT | | V070006289 | 45 | V070006372 | 34 | V070006440 | D | V070006673 | 40 |
| V070006213 | 50 | V070006293 | 45 | V070006373 | 34 | V070006441 | D | V070006674 | 40 |
| V070006216 | 50 | V070006294 | 45 | V070006376 | 34 | V070006442 | D | V070006676 | 31 |
| V070006219 | 53 | V070006295 | 45 | V070006377 | 34 | V070006445 | 47 | V070006676S | 31 |
| V070006230 | 55 | V070006296 | 45,68 | V070006380 | 34 | V070006447 | 36,37 | V070006679 | 31 |
| V070006231 | 55 | V070006297 | 45 | V070006381 | 34 | V070006449 | 45 | V070006683 | 33 |
| V070006250 | 37 | V070006299 | 45 | V070006384 | 34 | V070006450 | 45 | V070006685 | 31 |
| V070006251 | 36 | V070006302 | 45 | V070006386 | 34 | V070006452 | 44,45,73 | V070006686 | 31 |
| V070006253 | 37 | V070006304 | 45 | V070006388 | 34 | V070006457 | 47 | V070006688 | 33 |
| V070006254 | 36,37 | V070006306 | 45 | V070006389 | 34 | V070006473 | 73 | V070006691 | 31 |
| V070006255 | 36,37 | V070006307 | 45 | V070006390 | 34 | V070006478 | FR | V070006693 | 42 |
| V070006256 | 36,37 | V070006310 | 44 | V070006399 | D | V070006481 | 14,47 | V070006694 | 42 |
| V070006257 | 36,37 | V070006320 | 57 | V070006402 | 35 | V070006484 | 45 | V070006695 | 42 |
| V070006258 | 36,37 | V070006325 | 57 | V070006403 | 35 | V070006490 | FR | V070006699 | 57 |
| V070006259 | 36,37 | V070006350 | 35 | V070006405 | D | V070006492 | 47 | V070006718 | 46 |
| V070006261 | 37 | V070006351 | 34 | V070006407 | 47 | V070006493 | 44,47 | V070006724 | 45 |
| V070006265 | 36,37 | V070006353 | 34 | V070006408 | 35 | V070006495 | D | V070006726 | 45,74 |
| V070006266 | 37 | V070006354 | 34 | V070006411 | FR | V070006496 | 47 | V070006727 | 45,74 |
| V070006268 | 36,37 | V070006354HP | D | V070006413 | FR | V070006519 | 40,76,77 | V070006728 | 60 |
| V070006272 | 34,73 | V070006356 | 34 | V070006414 | FR | V070006587 | | V070006729 | 46 |
| V070006276 | 45 | V070006358 | 14,34 | V070006417 | 47 | V070006592 | 14 | V070006746 | 57 |
| V070006277 | 45 | V070006359 | 34 | V070006420 | 44 | V070006644 | D | V070006747 | 57 |

D = Discontinued Part
FR = Frame



| Part # | Page # | Part # | Page # | Part # | Page # | Part # | Page # | Part # | Page # |
|-------------|----------------|-------------|---------|------------|--------|------------|----------|-------------|--------|
| V070006748 | 57 | V070007302 | 14 | V070007843 | | V070011013 | 62 | V070011100 | |
| V070006749 | 57 | V070007303 | 14,17 | V070007844 | | V070011018 | 63 | V070011105 | 60 |
| V070006757U | 33 | V070007310 | 46 | V070007846 | 25 | V070011027 | 62 | V070011106 | |
| V070006757C | 33 | V070007311 | 46 | V070007847 | 25 | V070011028 | 62 | V070011107 | 60 |
| V070006757R | 33 | V070007357 | 29 | V070008126 | | V070011029 | 62 | V070011108 | 60 |
| V070006761 | 23 | V070007359 | | V070008133 | 45 | V070011030 | 62 | V070011109 | 59 |
| V070006765 | 44 | V070007360 | 23 | V070008154 | 40 | V070011031 | 62 | V070011110 | 60 |
| V070007115 | 44 | V070007370 | | V070008182 | | V070011032 | 62 | V070011110A | 60,61 |
| V070007119 | 31 | V070007372 | 27 | V070008187 | | V070011033 | 62 | V070011121 | 60 |
| V070007137 | 30,31 | V070007373 | 26 | V070008188 | | V070011034 | 59 | V070011122 | 60 |
| V070007192 | 12,13,40 57 | V070007374 | 27 | V070008191 | 63 | V070011035 | 27 | V070011123 | 60 |
| | | V070007375 | 26 | V070008207 | | V070011036 | 62 | V070011124 | 60 |
| V070007193 | 12,13,40 | V070007376 | 31 | V070008210 | 57 | V070011037 | | V070011131 | 59 |
| V070007194 | 40 | V070007510 | FR | V070008211 | 57 | V070011039 | 62 | V070011131M | |
| V070007195 | 12,13,40 | V070007586 | 9,11,31 | V070008212 | 57 | V070011040 | 57,60,62 | V070011132 | 59 |
| V070007196 | 40 | V070007586A | 9 | V070008215 | 57 | V070011041 | 57 | V070011133 | 59 |
| V070007197 | 40 | V070007586B | | V070008217 | 57 | V070011042 | 57 | V070011146 | 60 |
| V070007197O | 40 | V070007586P | 9 | V070008218 | 57 | V070011048 | 63 | V070011147 | 60,78 |
| V070007199 | | V070007616 | 42 | V070008321 | 46 | V070011049 | 63 | V070011148 | 78 |
| V070007200 | 40 | V070007617 | 40 | V070008322 | 46 | V070011052 | 56,57 | V070011151 | 60 |
| V070007250 | 46 | V070007618 | 40 | V070008325 | 46 | V070011063 | 63 | V070011165 | |
| V070007261 | 40 | V070007620 | 40 | V070008449 | 20,29 | V070011064 | 62,78 | V070011170 | 33 |
| V070007276 | 18,49 | V070007622 | 42 | V070009821 | 74 | V070011066 | 60 | V070011170C | 33 |
| V070007278 | 18,49 | V070007623 | 41 | V070009828 | | V070011068 | 60 | V070011171 | |
| V070007280 | 49 | V070007651 | 31 | V070009829 | | V070011077 | 60 | V070011172 | 33 |
| V070007281 | 49 | V070007732 | | V070010238 | | V070011080 | 60 | V070011173 | 33 |
| V070007282 | 49 | V070007733 | | V070011002 | 57 | V070011092 | 60 | V070011178 | 60 |
| V070007283 | 18,49 | V070007746 | | V070011004 | 57 | V070011096 | 60 | V070011211 | 68 |
| V070007290 | D | V070007752 | 17 | V070011005 | 27 | V070011097 | 60 | V070011217 | 62 |
| V070007291 | 57 | V070007755 | 46 | V070011006 | 27 | V070011098 | 60 | V070011218 | 63 |
| V070007295 | 14 | V070007769 | 10 | V070011009 | 62 | V070011099 | 60 | V070011225 | 60 |
| V070007296 | 14 | | | | | | | | |

D = Discontinued Part
FR = Frame



| Part # | Page # | Part # | Page # | Part # | Page # | Part # | Page # | Part # | Page # |
|-------------|--------|-------------|--------|--------------|--------|------------|--------|------------|--------|
| V070011226 | | V070100508P | 53 | V090003902 | | V090005252 | 14 | V090005631 | 15 |
| V070011250 | 23 | V070100509 | 53 | V090003903 | | V090005253 | 14,17 | V090005632 | 12,13 |
| V070011273 | 60 | V070100509P | 53 | V090004001 | 14 | V090005254 | 18 | V090005637 | 16 |
| V070011279 | 63 | V070100510 | 55 | V090004007 | 17,18 | V090005255 | 18 | V090005640 | 12,13 |
| V070011286 | 27 | V070100510P | 55 | V090004008 | | V090005256 | 20 | V090005645 | 17 |
| V070011288 | 23 | V070100511 | 53 | V090004010 | 18 | V090005257 | 18 | V090005646 | 17 |
| V070011289 | 57 | V070100512 | 53 | V090004055 | 20 | V090005264 | 14 | V090005647 | 17 |
| V070011299 | 60 | V070100512K | 53 | V090004113 | 12,13 | V090005265 | 14 | V090005651 | 16 |
| V070011319 | 60 | V070100513 | 55 | V090004116 | 20 | V090005270 | 10 | V090005654 | 17 |
| V070011323 | | V070100514 | 55 | V090004117 | 20 | V090005271 | 10 | V090005655 | 15 |
| V070011368 | | V070100514K | 55 | V090004118 | 12,13 | V090005272 | 10 | V090005656 | 16 |
| V070011406 | 59,60 | V090001130 | 21 | V090004119 | 12,13 | V090005273 | 10 | V090005662 | 17 |
| V070011407 | 60 | V090001170 | 19 | V090004120 | 21 | V090005274 | 10 | V090006102 | 11 |
| V070011408 | 58,60 | V090001171 | 19 | V090004131 | | V090005505 | 16 | V090006103 | 11 |
| V070011411 | 59 | V090002017 | 11 | V090004203 | 10 | V090005509 | 17 | V090006125 | 18 |
| V070011412 | 63 | V090002018 | 11 | V090004444 | 21 | V090005514 | 17 | V090006126 | 18 |
| V070011414 | | V090002019 | 11 | V090004501 | 21 | V090005520 | 15 | V090006127 | 18 |
| V070011418 | 60 | V090002028 | 17 | V090004502 | 21 | V090005521 | 15 | V090006128 | 18 |
| V070011440 | 57,63 | V090002034 | 11 | V090004506 | 21 | V090005522 | 12,13 | V090006129 | 19 |
| V070011440R | | V090002065 | 20 | V090004507 | 21 | V090005526 | 15 | V090006130 | 19 |
| V070011626 | 60 | V090003102 | 20 | V090004517 | 21 | V090005532 | 15 | V090006131 | 18 |
| V070011641 | | V090003111 | 20 | V090004519 | 21 | V090005533 | 15 | V090006132 | 18 |
| V070011642 | | V090003112 | 20 | V090005015 | 17,18 | V090005536 | 16 | V090006133 | 18 |
| V070011795 | 57 | V090003116 | 20 | V090005106 | 20 | V090005540 | 13 | V090006134 | 18 |
| V070011796 | 57 | V090003508 | 21 | V090005108 | 20 | V090005544 | 12 | V090006135 | 18 |
| V070011797 | 57 | V090003509 | 21 | V090005109 | | V090005571 | 13 | V090006136 | 18 |
| V070011819 | 18 | V090003606 | | V090005109HP | | V090005597 | 17 | V090006137 | 18 |
| V070022072 | 59 | V090003655 | 14 | V090005120 | 20 | V090005613 | 16 | V090006138 | 18 |
| V070100507 | 55 | V090003766 | 21 | V090005123 | 20 | V090005615 | 16 | V090006139 | 18 |
| V070100507P | 55 | V090003795 | 17 | V090005144 | 20 | V090005617 | 12,13 | V090006140 | 18 |
| V070100508 | 53 | V090003901 | | V090005251 | 14,16 | V090005629 | 15 | V090006145 | 18 |

D = Discontinued Part
FR = Frame



| Part # | Page # | Part # | Page # | Part # | Page # | Part # | Page # | Part # | Page # |
|-------------|----------|-------------|--------|-------------|--------|----------------|--------|---------------|--------|
| V090007145 | 20 | V208111255 | 70,71 | V234001243 | 70 | V250001060 | 69 | V610704001 | |
| V090007241 | 20 | V209 | | V234001265 | 70 | V250001226 | 69 | V610704002 | 45,47 |
| V090007310 | 21 | V210 | 66 | V234001277 | 70 | V250001229 | 69 | V610704004 | 31 |
| V090007327 | 20 | V211 | 25,77 | V234001352 | | V250001230 | 69 | V6107040042 | |
| V146004772 | 71 | V213 | | V234001368 | 70 | V250001231 | 69 | V610704004B | |
| V146004775 | 71 | V214 | | V234001371 | 70 | V250001232 | 69 | V610704004CD | |
| V146005277 | 57 | V218 | 52 | V234001372 | 70 | V250001233 | 69 | V610704004NS | 31 |
| V146005399 | 71 | V219 | 52 | V250001001 | 68 | V250001236 | | V610704004P | |
| V190001305 | 9,71 | V220 | 77 | V250001002 | | V250001435 | 68 | V610704004S | |
| V190001345 | 71 | V2200010356 | | V250001003 | 68 | V250001537 | 68 | V610704004W | |
| V190001355 | 71 | V220B | | V250001004 | 68 | V250010002 | 68 | V610704005 | 31 |
| V190001357 | 71 | V220R | | V250001005 | 68 | V277 | 77 | V6107040056 | 31 |
| V190001364 | 71 | V220W | | V250001008 | 69 | V280 | 51 | V610704006 | 31 |
| V190001364S | | V221 | 77 | V250001009 | 68 | V300000170 | 48 | V610704010 | 41,73 |
| V190001490 | 39,46,71 | V222L | 22 | V250001011 | 68 | V300000171 | 48 | V610704014 | 25 |
| V190001546 | 71 | V222R | 22 | V250001012 | 68 | V300000175 | 19,48 | V610704015 | 45 |
| V190001546R | 71 | V223 | 77 | V250001012C | | V300000182 | 19,48 | V610704020 | |
| V201L | 22 | V224 | 40 | V250001013 | 68 | V300000182NB | 48 | V610704026 | 40 |
| V201R | 22 | V225L | 22 | V250001014 | 68 | V40200010 | 68 | V610704028 | |
| V203 | | V225R | 22 | V250001015 | 68 | V40200011 | 68 | V610704030 | |
| V203RING | | V230 | 23 | V250001021 | 68 | V4020009 | 68 | V610704032 | 30 |
| V205 | 32,33 | V234001041 | 70 | V250001023 | 68 | V601704030 | 32 | V610704041 | |
| V208 | 36,37 | V234001109 | 70 | V250001027 | 68 | V610309042 | 72 | V610704042 | 51,55 |
| V208111008 | 71 | V234001112 | 70 | V250001034 | 68 | V610700079 | 48 | V610704042KIT | |
| V208111025 | 71 | V234001115 | 70 | V250001037 | 68,78 | V610700089 | 48 | V610704043 | 51,55 |
| V208111131 | 70,71 | V234001126 | 70 | V250001040 | 68 | V610700099 | 48 | V610704043KIT | |
| V208111170 | 71 | V234001135 | 70 | V250001041 | 69 | V610700120 | 7 | V610704045 | 50 |
| V208111174 | 71 | V234001147 | 70 | V250001042 | 69 | V610700120KHP | 7 | V610704047 | 50 |
| V208111174R | 71 | V234001163 | 70 | V250001051 | 68 | V610700120MINI | | V610704050 | |
| V208111180 | 71 | V234001174 | 70 | V250001054 | 68 | V610700120PHP | 7 | V610704051 | |
| V208111229 | 70,71 | V234001221 | 70 | V250001057 | 68 | V610700122 | 60,61 | V610704052 | 53 |

D = Discontinued Part
FR = Frame



| Part # | Page # | Part # | Page # | Part # | Page # | Part # | Page # | Part # | Page # |
|-------------|--------|------------|--------|-------------|--------|------------|--------|------------|--------|
| V610704127 | 47 | V701540083 | 67 | V730027019 | 12,41 | V785501015 | 55 | V785501208 | 55 |
| V610704133 | 46 | V701710098 | 33 | V730036025 | 41 | V785501023 | | V785501223 | 52 |
| V610704133B | 46 | V701712097 | | V741550515 | 70 | V785501024 | | V785501228 | 52 |
| V610704150 | 57 | V701849124 | 33 | V743000011 | 74 | V785501031 | 53 | V785501287 | 52 |
| V610704151 | 57 | V702424002 | 70 | V743000014 | 74 | V785501040 | | V785501288 | 52 |
| V610704155 | 41 | V702504012 | 70 | V743000015 | 74 | V785501048 | 52 | V785501291 | 52 |
| V612070012 | | V702504013 | 70 | V743000017 | 74 | V785501050 | 52 | V785501295 | 52 |
| V700107146 | 21 | V702504014 | 70 | V743000020 | 74 | V785501066 | 55 | V785501297 | 55 |
| V701011003 | 55 | V70260002 | | V743000125 | 74 | V785501067 | 52 | V785501298 | 55 |
| V701015004 | 52 | V709002010 | | V744203014 | 35.44 | V785501079 | 55 | V785501300 | 52 |
| V701020030 | 70 | V709002022 | | V746001016 | | V785501094 | 52 | V785501302 | 52 |
| V701020091 | 55 | V709002024 | | V746605011 | | V785501095 | 55 | V785501305 | 52 |
| V701021008 | 55 | V710501009 | 17 | V746605011 | | V785501104 | 55 | V785501308 | 55 |
| V701021010 | 52 | V710501013 | 14 | V749537068 | 19 | V785501106 | 55 | V785501310 | 55 |
| V701021014 | 52 | V711516020 | 35 | V751001423 | | V785501108 | 55 | V785501312 | 52 |
| V701024031 | 70 | V714501001 | | V754010336 | 74 | V785501117 | 55 | V785501331 | 55 |
| V701025003 | 55 | V716501009 | 55 | V754020312 | | V785501122 | 55 | V785501336 | 52 |
| V701025011 | 55 | V716501013 | 52 | V755020359 | 74 | V785501124 | 55 | V785501337 | 52 |
| V701077015 | 52 | V716503015 | 52 | V755504048 | 74 | V785501125 | 55 | V785501338 | 52 |
| V701224030 | 55 | V716503020 | 52 | V759517051 | | V785501126 | 55 | V785501341 | 52 |
| V701240032 | 52 | V716503022 | 55 | V760011197 | 73 | V785501131 | 55 | V785501342 | 55 |
| V701310036 | 39 | V716503023 | 55 | V760019201 | 73 | V785501132 | 55 | V785501343 | 52 |
| V701316041 | 42 | V718506006 | | V780503014 | 76 | V785501134 | 52 | V785501372 | 72 |
| V701320045 | 59 | V718508008 | | V782501001 | 76 | V785501137 | 52 | V785501375 | 72 |
| V701329050 | 35 | V719616005 | 70 | V783502002 | 76 | V785501146 | 55 | V785501377 | 72 |
| V701411086 | 64 | V719624004 | 70 | V784003000 | 76,77 | V785501147 | 55 | V785501378 | 72 |
| V701412054 | 67 | V722501070 | 11 | V784003000R | 23,77 | V785501168 | 72 | V785501384 | 72 |
| V701416058 | 45 | V722971522 | 60 | V784528052 | 76 | V785501177 | 55 | V785501386 | 72 |
| V701416087 | 64 | V722985512 | 60 | V785001001 | 76 | V785501178 | 55 | V785501389 | 72 |
| V701436064 | 65 | V724001011 | 76 | V785501011 | | V785501179 | 52 | V785501392 | 72 |
| V701512072 | 67 | V724507002 | 41 | V785501014 | 55 | V785501192 | 72 | V785501393 | 72 |

D = Discontinued Part
FR = Frame



| Part # | Page # | Part # | Page # | Part # | Page # | Part # | Page # | Part # | Page # |
|------------|--------|--------------|--------|------------|--------|------------|----------|------------|----------|
| V785501394 | 72 | V785501543 | 52 | V788011058 | 74 | V793509049 | 76 | V807250080 | |
| V785501398 | 55 | V785501544 | 52 | V788504004 | 76 | V793510000 | 76 | V807257060 | 59 |
| V785501423 | 52 | V785501551 | 55 | V789001000 | 76 | V793510041 | | V807257080 | |
| V785501426 | 52 | V785501552 | 55 | V789502003 | 76 | V793510042 | | V807265060 | 57 |
| V785501427 | 52 | V785501562 | 72 | V789502004 | 76 | V793510043 | | V807265080 | 57 |
| V785501430 | 55 | V785501564 | 72 | V789505008 | 76 | V793510044 | | V807265160 | |
| V785501431 | 55 | V785501568 | 72 | V789509000 | 76 | V793511045 | 76 | V807333030 | |
| V785501434 | 55 | V785501569 | 72 | V789511027 | 76 | V793514048 | 76 | V807333040 | |
| V785501435 | 52 | V785501621 | 55 | V789512029 | 76 | V801369161 | 17 | V807339060 | |
| V785501437 | 52 | V785501653 | | V790001001 | 76 | V801566320 | | V807340040 | |
| V785501438 | 52 | V785501662 | 55 | V791003003 | 76 | V802057100 | | V807340100 | |
| V785501439 | 55 | V785501664 | 72 | V791004004 | 76 | V802865996 | 60 | V807340140 | |
| V785501475 | | V785501665 | 72 | V792005005 | | V806157200 | | V807340160 | |
| V785501476 | | V785502005 | 72 | V792005010 | | V806233080 | | V807349030 | |
| V785501477 | | V785502008 | 52 | V792009010 | 76 | V806249060 | 33 | V807349060 | |
| V785501478 | | V785502020 | | V792016018 | 76 | V806249160 | 42 | V807350040 | |
| V785501505 | | V785502055 | 52 | V792018020 | 76 | V806265160 | 10,25,57 | V807350060 | |
| V785501508 | 72 | V785502080 | 72 | V792026028 | 76 | V806265240 | 39 | V807357040 | 45,59,60 |
| V785501514 | 55 | V785502085 | 52 | V792501001 | 76,77 | V806357100 | | V807357060 | 42 |
| V785501515 | 55 | V785502190 | 72 | V792502002 | 76,77 | V806657080 | 58 | V807357080 | |
| V785501516 | 55 | V785502191 | 72 | V792505005 | 76,77 | V806749160 | | V807358040 | |
| V785501517 | 55 | V785502233 | 50 | V793002007 | 76 | V806857080 | | V807358060 | 21,31 |
| V785501520 | 72 | V785502233-A | 50 | V793501000 | 76 | V807227040 | | V807358080 | |
| V785501522 | 72 | V785502234 | 50 | V793503017 | 76 | V807227050 | | V807365060 | |
| V785501525 | 55 | V785502235 | 50 | V793503051 | 76 | V807233040 | | V807439060 | |
| V785501526 | 55 | V786501001 | 76 | V793506000 | 76 | V807233080 | | V807640060 | |
| V785501527 | | V786502002 | 76 | V793507028 | 76 | V807239040 | | V807649160 | |
| V785501528 | 74 | V786503003 | 76 | V793507029 | 76 | V807249040 | | V807650050 | 12,13 |
| V785501533 | 72 | V786504004 | 76 | V793507030 | 76 | V807249060 | 15 | V808033122 | |
| V785501539 | 72 | V787001006 | 76 | V793509036 | 76 | V807249070 | | V808149022 | |
| V785501540 | 72 | V788001057 | 74 | V793509037 | 76 | V807249160 | 33 | V808227102 | |



| Part # | Page # | Part # | Page # | Part # | Page # | Part # | Page # | Part # | Page # |
|------------|----------------|------------|--------|------------|--------|------------|----------------------------|------------|----------------------|
| V808233042 | | V808557240 | 88 | V808849565 | 57,86 | V808866320 | 87 | V809850165 | |
| V808524040 | | V808557360 | 68,88 | V808850100 | | V808866400 | 87 | V809850205 | |
| V808527060 | | V808558120 | | V808850120 | | V808866440 | 87 | V809857080 | 31,80 |
| V808533050 | | V808558140 | | V808850140 | | V808866520 | | V809857100 | 68,70,80 |
| V808533061 | | V808558160 | | V808850200 | | V808957160 | 58,86 | V809857125 | 21,23,26 27,68,80 |
| V808533120 | | V808558200 | | V808850240 | | V809149100 | 12,13 | V809857165 | 26,29,60 68,80 |
| V808539060 | 88 | V808558320 | | V808850245 | | V809839080 | 52 | | |
| V808539100 | | V808566160 | 88 | V808850320 | | V809840080 | | V809857205 | 10,25,58 70,80 |
| V808539240 | | V808640121 | 40,84 | V808850360 | | V809849060 | | V809857245 | 19,48,80, |
| V808539260 | | V808640141 | 40,84 | V808850400 | | V809849085 | 35,79 | V809857280 | 80 |
| V808539280 | | V808640161 | | V808850420 | | V809849100 | 31,79 | V809857295 | 10 |
| V808539320 | 88 | V808827080 | | V808857080 | | V809849125 | 26,29,31 33,35,79 | V809857325 | 20,80 |
| V808539320 | | V808827101 | | V808857120 | 27,86 | V809849145 | 58,60,69 79 | V809857365 | 18,20 |
| V808540080 | | V808833080 | | V808857160 | 86 | V809849162 | 33 | V809857405 | 20,29,44 80 |
| V808540081 | | V808833121 | | V808857200 | | V809849165 | 10,16,25 35,42,69 79 | V809857445 | 80 |
| V808540100 | | V808839080 | | V808857240 | | V809849205 | 25,31,62 79 | V809857565 | 80 |
| V808540160 | | V808839160 | | V808857280 | 63,86 | | | V809857660 | |
| V808549080 | 12,13,35 88 | V808840040 | | V808858100 | | V809849245 | 37,79 | V809857760 | 80 |
| V808549100 | 88 | V808840080 | | V808858120 | 86 | V809849285 | 35,37,79 | V809857880 | 60,80 |
| V808549120 | 16,88 | V808840100 | | V808858160 | | V809849325 | 10,25,79 | V809858085 | 29,80 |
| V808549160 | 27,70,88 | V808840120 | | V808858200 | | V809849365 | 57,79 | V809858125 | 29,80 |
| V808549200 | 16,33,88 | V808840200 | | V808858240 | 86 | V809849405 | 79 | V809858165 | 80 |
| V808549240 | 37,88 | V808840260 | | V808858320 | 86 | V809849445 | | V809858200 | |
| V808549320 | 37,88 | V808849080 | | V808858440 | | V809849485 | 35,79 | V809858285 | |
| V808550100 | 88 | V808849100 | 86 | V808865140 | 62,87 | V809849604 | 33 | V809858365 | |
| V808550360 | 88 | V808849120 | 86 | V808865240 | 87 | V809849605 | 35,79 | V809865125 | 15,42,81 |
| V808557100 | | V808849160 | 25,86 | V808865320 | 23,87 | V809849885 | 33,79 | | |
| V808557120 | 16,88 | V808849200 | 86 | V808865400 | 23,87 | | | | |
| V808557140 | 16,19,48 88 | V808849240 | 86 | V808866120 | | V809850085 | | | |
| V808557160 | 48,88 | V808849280 | | V808866160 | 87 | V809850105 | | | |
| | | V808849320 | | V808866200 | 87 | V809850125 | | | |

D = Discontinued Part
FR = Frame



| Part # | Page # | Part # | Page # | Part # | Page # | Part # | Page # | Part # | Page # |
|------------|----------------------------|------------|----------|------------|--------|------------|--------|------------|--------|
| V809865165 | 21,26,35 57,60,63 81 | V809869520 | 17,82 | V810233140 | | V810250160 | | V810266200 | |
| | | V809870205 | 82 | V810233160 | | V810250200 | 84 | V810266240 | |
| V809865205 | 27,42,45 60,81 | V809870245 | 82 | V810239060 | 84 | V810250240 | | V810266280 | |
| | | V809870285 | 46,82 | V810239080 | 84 | V810250280 | | V810266320 | |
| V809865245 | 14,17,21 39,58,68 81 | V809870325 | 46,82 | V810239120 | 42,84 | V810250360 | | V810266400 | |
| | | V809870365 | | V810239140 | | V810250480 | 84 | V810273320 | |
| V809865285 | 18,81 | V809870405 | | V810239160 | 33,84 | V810250520 | | V810274400 | |
| V809865325 | 15,21,81 | V809870445 | | V810239200 | | V810257120 | | V810340201 | |
| V809865365 | 39,81 | V809873100 | 70,83 | V810239240 | 31,84 | V810257160 | 85 | V810365401 | 63 |
| V809865405 | 58,60,81 | V809873280 | | V810239320 | 84 | V810257200 | 85 | V810366401 | |
| V809865445 | 18,57,81 | V809873325 | | V810240060 | 69 | V810257240 | | V810457160 | |
| V809865485 | 81 | V809873405 | 45,46,83 | V810240080 | 84 | V810257445 | | V811927102 | |
| V809865525 | 81 | V809873442 | | V810240100 | 84 | V810257520 | | V811927160 | |
| V809865565 | 81 | V809873485 | 83 | V810240120 | | V810258100 | 27,85 | V811933062 | |
| V809865605 | | V809873525 | 83 | V810240160 | | V810258120 | | V811933082 | |
| V809865645 | 26,27,81 | V809874365 | 83 | V810240200 | | V810258140 | | V811939082 | |
| V809865725 | 20,29,81 | V809874525 | | V810240240 | | V810258160 | 39,85 | V811939122 | |
| V809865805 | | V809881640 | | V810240280 | | V810258200 | 85 | V811940062 | |
| V809865960 | | V809965125 | 62 | V810240400 | | V810258240 | 85 | V812021061 | |
| V809865992 | 63,81 | V809973560 | | V810240500 | | V810258280 | | V812027062 | |
| V809866285 | | V810221080 | | V810249060 | 84 | V810258320 | | V812027122 | |
| V809866325 | | V810221100 | | V810249080 | 84 | V810258360 | | V812027162 | |
| V809866645 | | V810221120 | | V810249160 | 84 | V810265160 | 85 | V812039142 | |
| V809869245 | 14,18,47 82 | V810224060 | | V810249200 | 39,84 | V810265200 | | V812039162 | |
| V809869285 | 14,16,47 82 | V810227060 | | V810249240 | | V810265240 | 85 | V812039362 | |
| V809869325 | 14,17,18 82 | V810227080 | | V810249320 | | V810265280 | 47,85 | V812040122 | |
| | | V810233040 | | V810249360 | | V810265400 | 85 | V812049162 | |
| V809869365 | 14,17,18 49,82 | V810233060 | | V810249400 | | V810265401 | 85 | V812050122 | |
| V809869405 | 14,18,49 82 | V810233080 | 42,84 | V810250080 | | V810265560 | | V812140240 | |
| | | V810233100 | | V810250100 | | V810266120 | | V812227062 | |
| V809869445 | 82 | V810233120 | 84 | V810250120 | 84 | V810266160 | | V812621062 | |



| Part # | Page # | Part # | Page # | Part # | Page # | Part # | Page # | Part # | Page # |
|------------|--------|------------|--------|------------|--------|------------|--------|------------|--------|
| V812621082 | | V812833062 | | V813321089 | | V817927062 | | V818621042 | |
| V812627062 | | V812833082 | | V813327042 | | V817927142 | | V818627042 | |
| V812627082 | | V812833102 | | V813327062 | | V817933062 | | V818633042 | |
| V812627102 | | V812833121 | | V813327082 | | V817940062 | | V818833162 | |
| V812627122 | | V812833162 | | V813333062 | | V818033042 | | V820532062 | |
| V812627162 | | V812833762 | | V813333102 | | V818033062 | | V820538122 | |
| V812627202 | | V812840062 | | V813340042 | | V818221042 | | V821049082 | |
| V812633062 | | V812840082 | | V813340060 | | V818221062 | | V821142202 | |
| V812633082 | | V812840162 | | V813340122 | | V818221082 | | V821147082 | |
| V812633102 | | V812849042 | | V813349163 | | V818221102 | | V821226042 | |
| V812633122 | | V812849102 | | V813433032 | | V818221122 | | V821232062 | |
| V812633202 | | V812849322 | | V813539163 | | V818221162 | | V821247162 | |
| V812633242 | | V812939102 | | V813540082 | 33,35 | V818224042 | | V821438082 | |
| V812633282 | | V813213040 | | V813549102 | | V818227042 | | V821438122 | |
| V812639062 | | V813221082 | | V813922162 | | V818227062 | | V821438162 | |
| V812639082 | | V813221162 | | V813927042 | | V818227082 | | V822326062 | |
| V812639102 | | V813221202 | | V813933162 | 45 | V818227122 | | V822332282 | |
| V812639122 | | V813227042 | | V813940202 | | V818227162 | 35 | V822338122 | |
| V812639602 | | V813227042 | | V813949082 | | V818227202 | 23 | V822420053 | |
| V812640082 | | V813227062 | | V813949109 | | V818227402 | 44 | V822426087 | |
| V812649202 | | V813227082 | | V814327122 | | V818233062 | | V822432082 | |
| V812817122 | | V813227122 | | V814333122 | 45 | V818233082 | 35,44 | V822626042 | |
| V812821102 | | V813227162 | | V814339122 | | V818233100 | | V822638322 | |
| V812827052 | | V813240063 | | V814433082 | | V818233122 | | V822732062 | |
| V812827062 | | V813240082 | | V814649160 | | V818233162 | | V822732080 | |
| V812827092 | | V813240122 | | V814740068 | | V818239062 | | V822732080 | |
| V812827102 | | V813240244 | | V814749162 | | V818239082 | | V822826083 | |
| V812827282 | | V813249122 | | V814852562 | | V818239122 | | V822826083 | |
| V812827322 | | V813313082 | | V817821040 | | V818240122 | | V822832062 | |
| V812828162 | | V813321042 | | V817921060 | | V818240244 | | V822832062 | |
| V812833042 | | V813321062 | | V817921080 | | V818321062 | | V822926122 | |

D = Discontinued Part
FR = Frame



| Part # | Page # | Part # | Page # | Part # | Page # | Part # | Page # | Part # | Page # |
|------------|--------|------------|--------|------------|----------------------|------------|-------------------|------------|--|
| V822932100 | | V826032060 | | V830049002 | | V835566002 | 35,45,60 63,93 | V839549002 | 57,62 |
| V822932122 | | V826039102 | | V830057002 | 19,48 | V835570002 | 14,47,49 93 | V839565002 | 60 |
| V822942100 | | V826039122 | | V830139002 | | V835573002 | 93 | V839665002 | 17,18,21 23,26,27 39,42,47 49,57,58 |
| V823126062 | | V826049122 | | V830358002 | 29 | V835574002 | 49,93 | V839750002 | |
| V823132082 | | V826049142 | | V830358002 | | V835581002 | | V839766002 | |
| V823138082 | | V826049202 | | V830857002 | | V835582002 | 49,93 | V840027002 | |
| V823138122 | | V826139122 | | V831558002 | 91 | V835587000 | | V840028002 | |
| V823220032 | | V826149062 | | V831565002 | 21,35,91 | V835587002 | | V840033002 | |
| V823226042 | | V826149082 | | V831566002 | 20,29,31 57,91 | V835650002 | 42,93 | V840039002 | 31,33,92 |
| V823226082 | | V827327042 | | V831573002 | 60,91 | V835670002 | 14,47,49 93 | V840040002 | 33,92 |
| V823232042 | | V827327062 | | V832021029 | | V835674002 | 49,93 | V840049002 | 35,92 |
| V823232062 | | V827327082 | | V832557002 | | V837057002 | | V840057002 | 57,92 |
| V823232082 | | V827327102 | | V834513002 | | V838139122 | | V840058002 | 92 |
| V823238062 | | V827333240 | | V834517002 | | V838369002 | 17 | V840065002 | 27,45,60 92 |
| V823332082 | | V827620062 | | V834524000 | | V838565002 | 92 | V840066002 | 15,42,92 |
| V823446102 | | V827620102 | | V834527002 | 91 | V838669002 | 52 | V840070002 | 46,92 |
| V823632042 | | V828127042 | | V834533002 | | V838727002 | 92 | V840182002 | 46 |
| V823732062 | | V828127062 | | V834549002 | 33,91 | V838740002 | 92 | V840381002 | 20 |
| V823926123 | | V828127082 | | V834554002 | 91 | V838849007 | 92 | V840500002 | |
| V824126103 | | V828133042 | | V834557002 | 20,29 | V838866002 | 60,62,63 92 | V840600002 | 42 |
| V824232200 | | V828133062 | | V834621000 | | V838939002 | 92 | V842140002 | 15 |
| V824526062 | | V828133082 | | V834821000 | 91 | V838940002 | | V843127002 | 35,44 |
| V824532082 | | V828139122 | | V834821002 | | V839057002 | 18,39,68 | V843133002 | 35,44 |
| V824538162 | | V828140042 | | V835539002 | 91 | V839100002 | | V843139002 | 29 |
| V824732042 | | V828140082 | | V835540002 | 91 | V839249007 | | V843140002 | 42 |
| V824820082 | | V828527042 | | V835549002 | 16,17,42 45,47,93 | V839521002 | | V843140042 | |
| V824832082 | | V828527082 | | V835550002 | 42,44,93 | V839527002 | 23 | V843149002 | |
| V824848082 | | V828627052 | | V835557002 | 93 | V839533002 | 42,92 | V843157002 | |
| V825533052 | | V829139082 | | V835558002 | 93 | V839539002 | 42,46 | V843158002 | |
| V825539122 | | V829432100 | | V835565002 | 21,39,93 | | | | |
| V825727052 | | V829438160 | | | | | | | |



| Part # | Page # | Part # | Page # | Part # | Page # | Part # | Page # | Part # | Page # |
|------------|---|------------|----------|----------------|----------|------------|-------------------|------------|----------------|
| V843165006 | | V900106081 | 33 | V907200200 | 54 | V913415060 | 95 | V913448120 | 45,60 |
| V844049002 | 10,12,13 16,25,26 29,31,33 35,37,39 40,41,42 60,93 | V900110081 | 59 | V907200500 | | V913415080 | 95 | V913448200 | |
| | | V900110121 | 57 | V907200600 | 52 | V913415090 | 31,95 | V913448280 | |
| | | V900110141 | 47,59 | V907200700 | 54 | V913415100 | 45,95 | V913448320 | |
| V844050002 | 31,93 | V900110161 | 59 | V907200800 | 54 | V913415120 | 46,95 | V913448360 | |
| | | V900110403 | | V907200900 | | V913415140 | 95 | V913448400 | |
| V844057002 | 10,16,18 19,20,21 23,25,26 29,42,48 60,63,93 | V900112161 | 57 | V907201000 | 21 | V913415160 | 95 | V913456140 | |
| | | V900112203 | 26,27,57 | V907201100 | 54 | V913423060 | 95 | V913456320 | |
| V844058002 | 26,27,93 | V900114101 | 17,35 | V907201200 | | V913423080 | 95 | V913464280 | 33 |
| V844062002 | 35 | V900204121 | 45 | V907201300 | | V913423100 | 95 | V913464360 | 47 |
| V844065002 | 14,15,18 20,63,93 | V900205053 | 39,41,46 | V907201400 | | V913423120 | 11,15,31 46,95 | V913464400 | 45 |
| | | V900205061 | 64 | V907201700 | 52 | | | V913472121 | |
| V844066002 | 93 | | | | | V913423140 | 95 | | |
| | | V900205081 | 60 | V907201800 | 52 | | | V913472640 | |
| V844069002 | 14,16,18 47,49,93 | V900206081 | 57 | V907201900 | | V913423160 | 42,95 | V913940162 | |
| | | | | | | V913423200 | | | |
| V844070002 | 47,60,93 | V900206091 | 35 | V907202100 | 70 | | | V914037206 | 31 |
| | | | | | | V913423240 | | | |
| V844073002 | 18,31,45 46,47,68 93 | V900207061 | 70 | V907202600 | 21 | | | V915005300 | 94 |
| | | V900208091 | 60 | V907248200 | | V913423280 | | V916931256 | |
| | | | | | | V913431120 | | | |
| V844074002 | 26,29,93 | V900208161 | 57 | V908048480 | 11 | | | V917933062 | |
| | | | | | | V913431160 | 23 | | |
| V844081002 | 93 | V900210101 | 59 | V909005900 | | | | V919000300 | |
| | | | | | | V913431220 | | | |
| V844087002 | 17 | V900210161 | 45,63 | V910700120MINI | 7 | | | V919000600 | 31,46,62 94 |
| | | | | | | V913431320 | | | |
| V845100000 | 57 | V900212161 | 57,62 | V911023202 | | | | V919000700 | 39,94 |
| | | | | | | V913437100 | 40,95 | | |
| V853500001 | | V900212201 | 58,60 | V911949242 | | | | V919000900 | |
| | | | | | | V913437120 | 31,95 | | |
| V856070002 | 57 | V907000100 | 33 | V912137120 | | | | V919001000 | 70 |
| | | | | | | V913437140 | 31,33,95 | | |
| V879849487 | 17 | V907000200 | 45,62 | V912137200 | 46 | | | V919001200 | |
| | | | | | | V913437160 | 11,95 | | |
| V880139120 | 46 | V907000300 | 21,54 | V913407040 | | | | V919003100 | |
| | | | | | | V913437180 | | | |
| V880239140 | 44,45 | V907000500 | 54 | V913407070 | | | | V919004200 | 31,94 |
| | | | | | | V913437200 | 95 | | |
| V900104061 | 67 | V907000600 | 35 | V913407080 | | | | V919005000 | 33,94 |
| | | | | | | V913437240 | 23,95 | | |
| V900104071 | 46 | V907000700 | | V913411060 | 95 | | | V919005200 | 57,60,62 94 |
| | | | | | | V913437280 | 29,95 | | |
| V900105061 | 64 | V907000800 | | V913411100 | 10,25,95 | | | V919005300 | 31 |
| | | | | | | V913437360 | 95 | | |
| V900105161 | 64 | V907000900 | 45,47,60 | V913411120 | 95 | | | V919005400 | 26,94 |
| | | | | | | V913437400 | 95 | | |
| V900106041 | 64 | V907200100 | 54 | V913411160 | 95 | | | | |
| | | | | | | V913448100 | | | |

D = Discontinued Part
FR = Frame



| Part # | Page # | Part # | Page # | Part # | Page # | Part # | Page # | Part # | Page # |
|------------|----------------------|------------|--------|------------|----------|------------|--|------------|----------------------------|
| V919005500 | 60,94 | V919010300 | | V944553113 | | | 35,89 | V951138000 | 52,90 |
| V919005600 | 18,31,57 58,59,94 | V919010400 | | V945045084 | | V948761112 | 10,19,20 25,29,31 39,48,57 58,60,70 89 | V951148002 | 69,90 |
| V919005700 | | V919010500 | | V945056122 | | | | V951156002 | 20,68,90 |
| V919005800 | 26,27,57 62,94 | V919010600 | | V945867242 | 17 | | | V951164002 | 15,21,23 26,57,63 90 |
| V919006000 | | V919010700 | 49,94 | V946076162 | | V948767132 | 15,18,20 21,26,29 60,62,63 89 | V951172002 | 90 |
| V919006200 | | V919010800 | | V946400002 | | | | V951181002 | 20,90 |
| V919006500 | | V919013100 | | V946688322 | 89 | V948868162 | 17,89 | V953751082 | |
| V919006600 | | V919013108 | | V948515042 | | V948964142 | 62,89 | V953838142 | |
| V919006600 | | V919013300 | | V948519002 | | V948975172 | 23,31,89 | V957000002 | 90 |
| V919006800 | 33 | V919013308 | | V948523052 | | V948979942 | | V957100002 | 33,35,90, |
| V919007000 | | V937000000 | 26,27 | V948631052 | | V948983212 | 15,17,57 89 | V963000002 | |
| V919007600 | | V938523030 | | V948631062 | 35,89 | | | V963100002 | 40,90 |
| V919007800 | | V938537060 | | V948637072 | | V949090282 | 89 | V963200002 | 13,40,41 42,44,45 90 |
| V919007900 | | V938537075 | | V948648092 | 70 | V949100002 | 14,17,18 49,60,89 | V963300002 | 46,90 |
| V919009000 | | V938637100 | 19 | V948722111 | 19,48 | V951020000 | 90 | V963400002 | 17,40,42 90 |
| V919010000 | | V941072000 | | V948745082 | 31,89 | V951026002 | 90 | V963600002 | 21,23,26 90 |
| V919010100 | | V941072200 | 26 | V948753082 | | V951032000 | 90 | | |
| V919010200 | 94 | V941137102 | | V948753101 | 69 | V951068002 | 90 | | |
| V919010200 | | V943637072 | 89 | V948753102 | 10,25,31 | V951112002 | 90 | | |

VANTAGE BOWLING CORPORATION LIMITED WARRANTY

EXCEPT AS INDICATED BELOW, VANTAGE BOWLING CORPORATION MAKES NO WARRANTIES (INCLUDING ANY WARRANTIES AS TO MERCHANTABILITY OR FITNESS FOR A PARTICULAR PURPOSE) EITHER EXPRESS OR IMPLIED WITH RESPECT TO THE PRODUCTS SOLD BY VANTAGE BOWLING CORPORATION PURSUANT TO THIS AGREEMENT (the "Products").

WARRANTY PROCESS: If the original purchaser makes a warranty claim, with proof of purchase, Vantage Bowling Corporation will sell the replacement part to the purchaser at its replacement parts price.

This warranty does not cover the effects of normal wear, tear or deterioration of the Products or its parts; or the effects of abuse, misuse, erroneous installation or modification on the part of the original purchaser or others; or damages incident to shipping and transporta-

tion; or operation or maintenance not in accordance with i) Vantage Bowling Corporation's operating instructions or other conditions or service specified, and ii) generally accepted practice.

THIS WARRANTY IS THE ONLY WARRANTY ON THE PRODUCTS, AND ALL OTHER WARRANTIES, WHETHER ORAL, WRITTEN, EXPRESS, OR IMPLIED, INCLUDING, BUT NOT LIMITED TO, THE IMPLIED WARRANTY OF MERCHANTABILITY OR FITNESS FOR A PARTICULAR PURPOSE, ARE EXCLUDED.

THIS LIMITATION OF LIABILITY APPLIES WHETHER DAMAGES ARE SOUGHT OR A CLAIM MADE UNDER THIS LIMITED WARRANTY OR AS A TORT CLAIM (INCLUDING NEGLIGENCE OR STRICT PRODUCT LIABILITY).

NO EMPLOYEE OR REPRESENTATIVE OF VANTAGE BOWLING CORPORATION IS AUTHORIZED TO WAIVE OR CHANGE THIS LIMITED WARRANTY IN ANY WAY OR GRANT ANY OTHER WARRANTY.

Visit Our Website!

Order your VanTech™
Catalog Today
Call Toll Free:
1-800-255-7401



Matrix Scoring & Center Management

Animated graphics and games add new dimensions of fun for everyone in your center.

SOLO-SCORING
BIG SOLUTIONS IN SMALL PACKAGE



THE AFFORDABLE SCORING SYSTEM FOR CENTERS LIKE YOURS.

| | | | |
|--|--|---|--|
|  FURNITURE |  HOODS / RACKS |  MASKING UNITS |  FAQ |
|--|--|---|--|

www.vantechbowling.com

Introducing



Value Added Line



Visit our website at www.vantagebowling.com
to get a **FREE** Vantage Val T-shirt!!



VANTAGE BOWLING CORPORATION
DENVER, COLORADO, USA

870 PARFET STREET
DENVER, CO 80215
PHONE: (303) 232- 7322
TOLL FREE: 1-800-255-7401
FAX: (303) 232-8241

Vantage Bowling Corporation is a subsidiary of

EBONITE International

Building the best brands in bowling.

www.vantagebowling.com