

**QUBICA**  **AMF**

**AMF PINSPOTTERS  
82-70 REPLACEMENT PARTS**



# **WHEN YOU BUY GENUINE AMF 82-70 PARTS, YOU CAN BE 100% CERTAIN ABOUT EVERYTHING.**

Choosing Genuine AMF 82-70 replacement parts is choosing certainty over uncertainty.

- You can be certain we manufacture 82-70 parts to original OEM quality
  - Genuine AMF parts are always compatible and always durable.
- You can be certain we have every 82-70 part you might need
  - And that we'll have the part every time.
- You can be certain we'll fill your order - With a fill rate of 98%, we're the industry leader.
- With our 100% money back guarantee, you can be certain of satisfaction
  - We stand behind our parts - and you.

## TABLE OF CONTENTS

### FRONT END ELECTRICAL ..... 5

Front End Electrical Installation LH .....	6-7
Front End Electrical Installation RH .....	8-9
Cable & Wire Assemblies .....	10
C-1 Cable Assembly .....	11
C-2A Harness Assembly .....	12-13
Solid State Chassis .....	14-15
MP Chassis Assembly .....	16-17
Table Wireway Assembly .....	18-19
Wire Harness Sweep Cam Switch & Table Cam Switch .....	20

### FRONT END COMPONENTS ..... 21

Front End Drive Assembly .....	22-23
Spot and Respot Link Assembly .....	24
Spot and Respot Tie Rod Installation .....	25
Counter Balance Spring Eye Repair Kit .....	26
Sweep and Table Cam Switch Assembly .....	27
Switch Assembly Table Assembly .....	28-29
Table Drive Assembly .....	30-31

### FRONT END BIN AND SHUTTLE ..... 32

BIN ASSEMBLY .....	34-35
SHUTTLE ASSEMBLY .....	36-37
SHUTTLE OPERATOR & SOLENOID ASSEMBLY .....	38-39

### FRONT END TABLE ..... 40

Table Assembly .....	42-43
Yoke & Spotting Cup Assembly .....	44-45
Respot Cell Assembly 1-6; 8-10 .....	46-47
Respot Cell Assembly #7 .....	48-49
Table Torque Tube Assembly .....	50

### FRONT END SWEEP ..... 51

Sweep Assembly .....	52-54
Sweep Bar Mounting Assembly .....	55

### BACKEND ..... 56

Kickback Assembly .....	58
Kickback Assembly / Side Opposite Ball Exit .....	59

Back End Assembly Parts .....	60
Motor Bracket Assembly .....	61
Back End Control Box .....	62
Pin Elevator Assembly .....	63
Adjustable Speed sheave .....	64
Velcro Cushion cover .....	65
Cushion, Shock Absorber & Curtain Support Assemblies .....	66-67
Bounce Plate & Roller Assemblies .....	68
Carpet Belts .....	69
82-70 Rear Roller Repair Kit .....	70

### DISTRIBUTOR ..... 71

Distributor assembly #1 .....	72-73
Distributor assembly #2 .....	74-75
Distributor assembly .....	76
Distributor Belts .....	77
Rough Top Belt Skiver .....	78
Distributor Drive Shaft Assembly .....	79

### BALL LIFT ..... 80

Positive Ball Lift .....	82-83
Ball Lift Assembly .....	84-85
Track Rail assembly .....	86
PBL Belt Tensioner Assembly - New Version .....	87
Belt Tensioner Assembly - Old Version .....	88
Belt Tightener Assembly .....	89
Light Ball Sensor Assembly .....	90-91
Ratchet Assembly .....	92
Kicker Ball Lift .....	94-95
Kicker Rollers .....	96
Ball Lift Pressure Kit .....	97
Adjustable Speed Rudder Sheave .....	98
Spring Loaded Drive Link Assembly & PBL Plus Conversion Kit .....	99

### GUARDS AND SAFETY LABELS ..... 100

Guards and Safety Labels .....	101
--------------------------------	-----

### CROSS REFERENCE ..... 103

### PARTS INDEX ..... 135

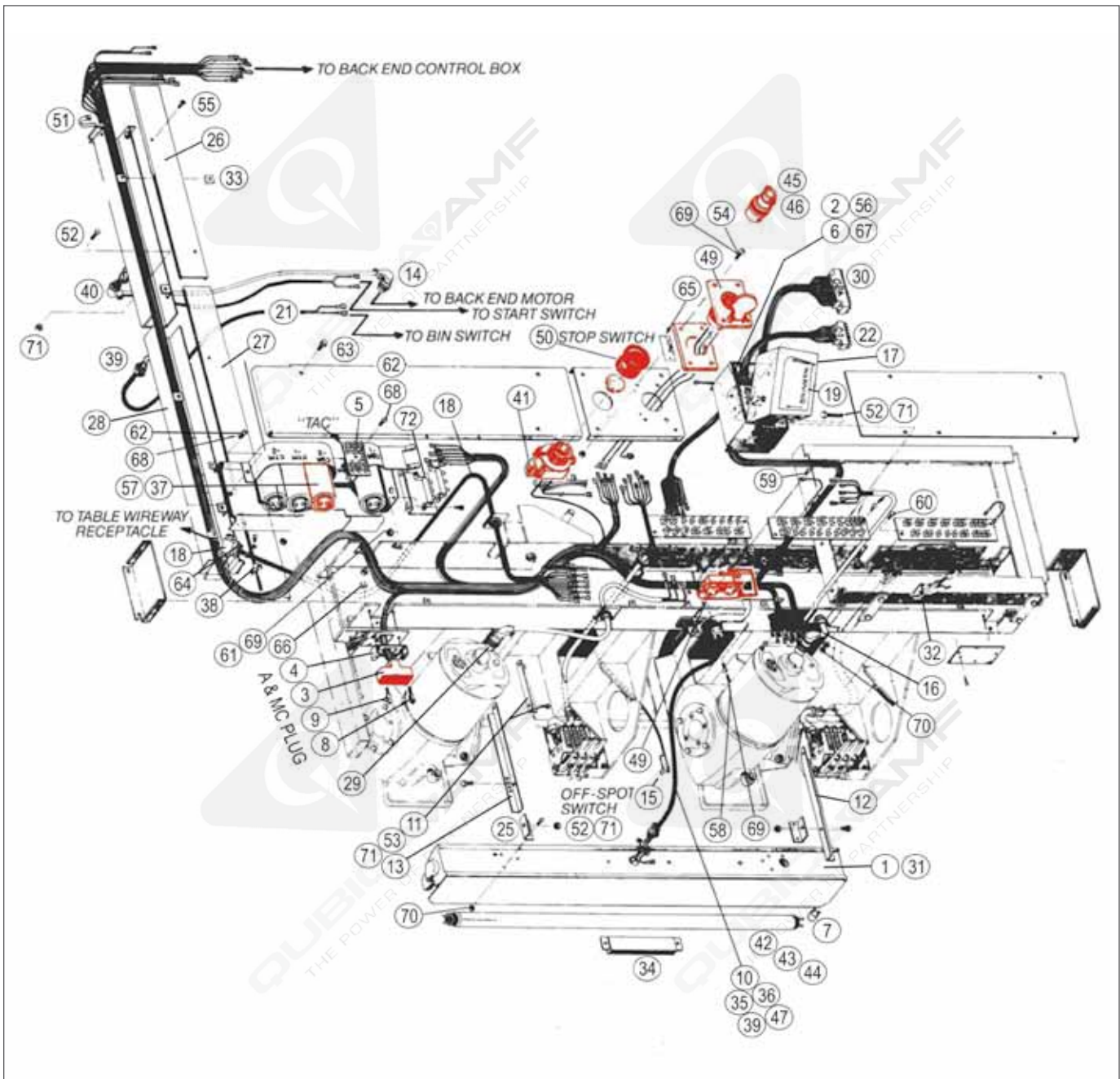




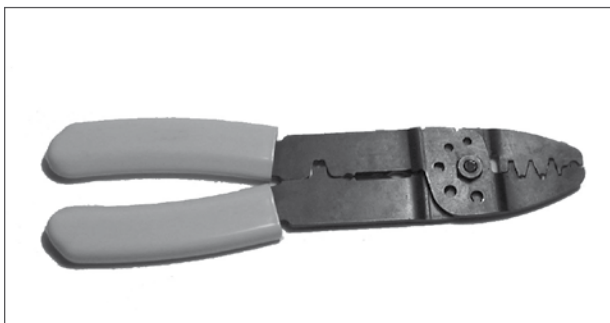
**QUBICA**  **AMF**  
**FRONT END ELECTRICAL**



# FRONT END ELECTRICAL INSTALLATION LH

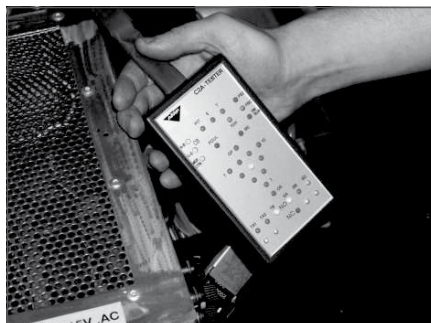


## CRIMP TOOL



Product Code 792512019

## C-2A CIRCUIT TESTER

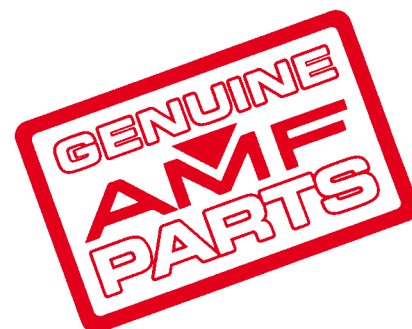


Product Code 791003004

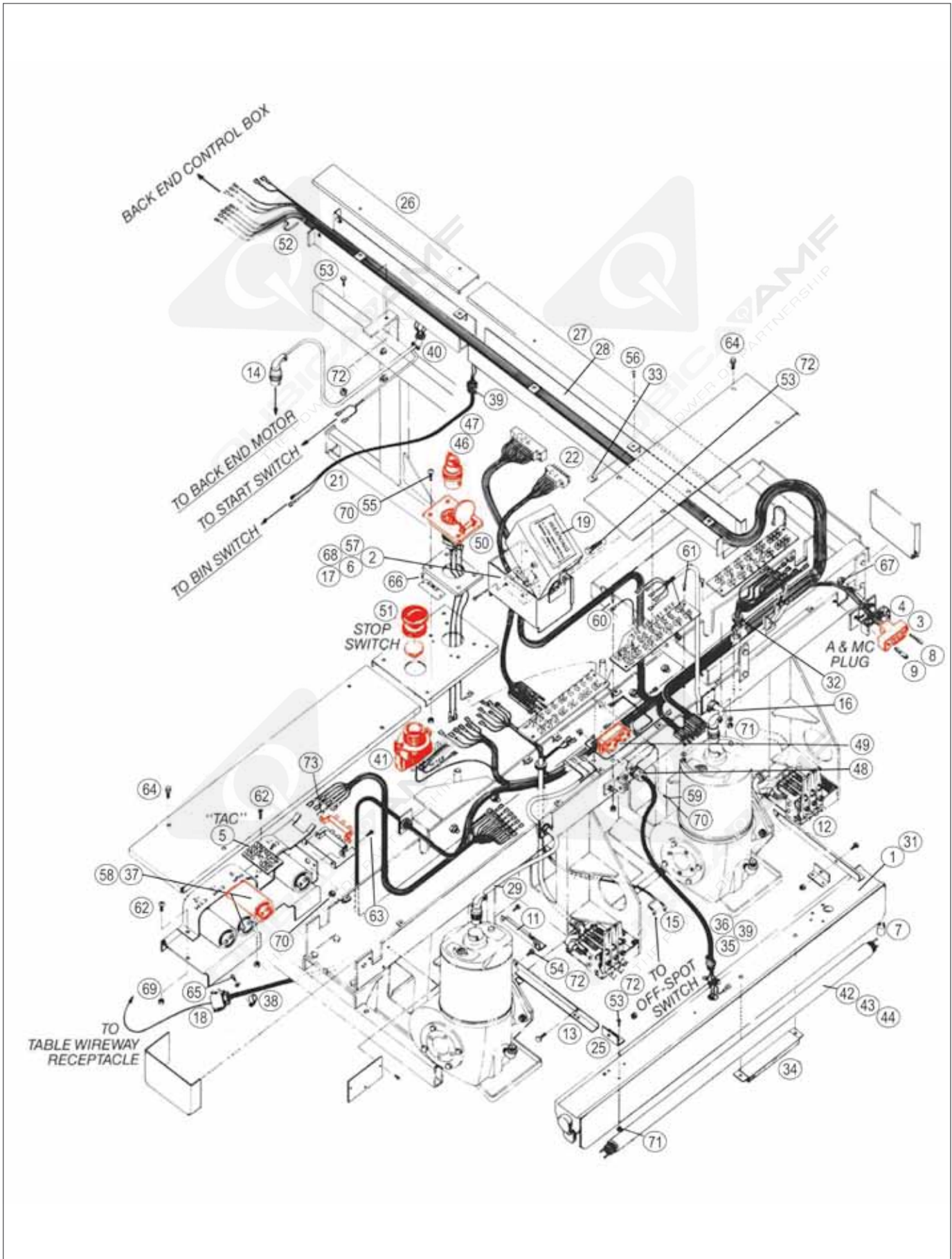
**FRONT END ELECTRICAL INSTALLATION LH**

ITEM	PART NUMBER	DESCRIPTION
1	000 021 652	Pit Light Assembly 120/60
2	000 022 296BG	Insulator-Switch (Bag 10)
3	000 025 078	Block-Term Amp
4	000 025 556BG	Catch Spring Lock (Bag Of 2)
5	000 025 603	Terminal Board
6	000 026 247	Switch
7	000 027 444	Flourescent Lamp Starter
8	000 028 441	Guide Socket (Bag 10)
9	000 028 442BG	Guide, Pin (Bag 10)
11	070 001 698	Brkt-Pitlight
12	070 001 907	Brkt-Sup-Pit Lite RH
13	070 001 908	Brkt-Sup-Pit Lite LH
14	070 005 094	Cable Assembly Be Mtr
15	070 005 534	Cbl Assembly-Off Spot
16	070 005 542	Cable Assembly Sweep Mtr
17	070 005 570	Plug Duct Weldmt
18	070 005 604	Cable-Table
19	070 005 614	Decal-Warning
21	070 006 272	Switch Cable Assm
22	070 006 473	Cable Assembly C1
25	070 007 370	Angle Pit Light Mnt
26	070 007 745	Cover-Cbl Duct Ext
27	070 007 747	Cover
28	070 007 748	Frme Wld-Cbltct-Long
29	070 007 751	Cable-Tbl Mtr 3 Cono
30	070 011 800	Hrness LH-C1 & C2a
31	090 008 017	Dual Pit Light Assembly 36" 120/60
32	711 520 017	Grommet
33	724 511 074	Tin-Nut-Spd'u'c-1505
34	740 501 001	Ballast-120/60
35	742 502 002	Cap-Nyln Insl Bu2007
36	742 503 004	Splice Cap Buch2006s
37	743 000 020	Cptr-460-552Mfd110ac
38	744 203 014	Clamp-Burndy Hp-6N

ITEM	PART NUMBER	DESCRIPTION
39	746 001 016	Cnectr-Str #3302 1/2
40	746 003 008	Cnectr 90 Deg 266 3/8
41	746 605 011	Cont Block Male 2 Pin
42	751 001 254	Lamp Daylight F30 T12
43	751 001 423	Lamp Flourescent 30W
44	751 001 460	Black Light 36"
45	754 010 336	Plug-3 Wire 30A 125V
46	754 010 337	Plug-Arrowhrt 50Hz
47	754 020 312	Cnctr & Prng male 4720
48	755 010 303	Recptcl-3 Wire Twstlk
49	755 020 359	Rect 3 wire 30a 125v
50	759 517 051	Swthch Pshbtn 7/8 Dia
51	770 011 010	Tyrap 14.19 Inch Lg
52	809 849 085	Screw-Hex 1/4-20 X 1/2
53	809 849 125	Screw-Hex 1/4-20 X 3/4
54	812 627 122	Screw-Rdhd #6-32 X 3/4
55	812 840 082BG	Scr-Rdhd 10-32X1/2 (Bag 10)
56	813 227 162	Screw-Pnhd #6-32 X 1 Cd
57	813 340 042BG	Scr-Pnhd 10-32X1/4Cd (Bag 10)
58	818 227 082BG	Scr-Smrd #6-32X1/2 (Bag 10)
59	818 233 082BG	Scr-Smrd #8-32X1/2 (Bag 10)
60	818 233 122BG	Scr-Smrd #8-32X3/4 (Bag 10)
61	818 627 042BG	Scr-Smrd #6-32X1/4 (Bag 10)
62	818239122BG	Scr-Smrd #10-24X3/4 (Bag 10)
63	826 032 060BG	Scr-Tat-Wa #8-3/8 (Bag 100)
64	828 127 062BG	Scr-Tdrd #6-32X3/8Tyd (Bag 10)
65	829 905 042	Screw-Drpk 0 X 1/4 Ty U
66	834 621 000BG	NUT-HEX 4-40 BRASS(Bag 10)
67	839 527 002BG	Nut-Flx-Tk #6-32 Ht (Bag 10)
68	839 539 002BG	Nut-Flx-Tk #10-24 Ht (Bag-10)
69	843 127 002BG	Nut-Kep #6-32 Wash (Bag 10)
70	843 133 002BG	Nut-Kep #8-32 Wash (Bag 10)
71	844 049 002BG	Nut-Stvr-Lk 1/4-20 (Bag 10)
72	916 931 256	Resistor 20w 1.25K



# FRONT END ELECTRICAL INSTALLATION RH





## FRONT END ELECTRICAL INSTALLATION RH

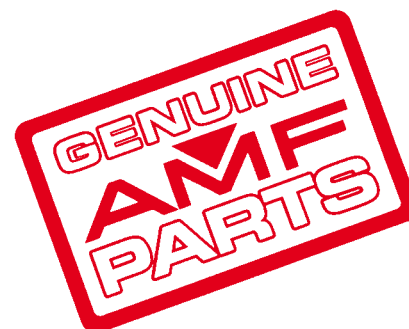
ITEM	PART NUMBER	DESCRIPTION
1	000 021 652	Pit Light Assembly 120/60
2	000 022 296BG	Insulator-Switch (Bag 10)
3	000 025 078	Block-Term Am
4	000 025 556BG	Catch Spring Lock (Bag Of 2)
5	000 025 603	Terminal Board
6	000 026 247	Switch
7	000 027 444	Flourescent Lamp Starter
8	000 028 441BG	Guide Socket (Bag 10)
9	000 028 442BG	Guide, Pin (Bag 10)
11	070 001 698	Brkt-Pitlight
12	070 001 907	Brkt-Sup-Pit Lite RH
13	070 001 908	Brkt-Sup-Pit Lite LH
14	070 005 094	Cable Assembly Be Mtr
15	070 005 534	Cbl Assembly-Off Spot
16	070 005 542	Cable Assembly Sweep Mtr
17	070 005 570	Plug Duct Weldmt
18	070 005 604	Cable-Table
19	070 005 614	Decal-Warning
21	070 006 272	Switch Cable Assm
22	070 006 473	Cable Assembly C1
25	070 007 370	Angle Pit Light Mnt
26	070 007 745	Cover-Cbl Duct Ext
27	070 007 747	Cover
28	070 007 748	Frme Wld-CblDct-Lon
29	070 007 751	Cable-Tbl Mtr 3 Cono
31	090 008 017	Dual Pit Light Assy 36" 120/60
32	711 520 017	Gromme
33	724 511 074	Tin-Nut-Spd'U'c-1505
34	740 501 001	Ballast-120/60
35	742 502 002	Cap-Nyln Insl Bu2007
36	742 503 004	Splice Cap Buch2006s
37	743 000 020	Cptr-460-552Mfd110ac
38	744 203 014	Clamp-Burndy Hp-6N
39	746 001 016	Cnectr-Str #3302 1/2

ITEM	PART NUMBER	DESCRIPTION
40	746 003 008	Cnectr 90 Deg 266 3/8
41	746 605 011	Cont Block Male 2Pin
42	751 001 254	Lamp, Daylight F30t Dirs
43	751 001 423	Lamp Flourescent 30W
44	751 001 460	Black Light 36"
46	754 010 336	Plug-3 Wire 30A 125V
47	754 010 337	Plug-Arrowhrt 50Hz
48	754 020 312	Cnctr & Prngmale 4720
49	755 010 303	Receptacle 3 Wire Twist Lock
50	755 020 359	RECEPT-3 WIRE 30A 125V
51	759 517 051	Stop Button
52	770 011 010	Tyrap 14.19 Inch Lg
53	809 849 085	Screw-Hex 1/4-20 X 1/2
54	809 849 125	Screw-Hex 1/4-20 X 3/4
55	812 627 122	Screw-Rdhd 6-32 X 3/4
56	812 840 082BG	Scr-Rdhd= 10-32X1/2 (Bag 10)
57	813 227 162	Screw-Pnhd 6-32 X 1 Cd
58	813 340 042BG	Scr-Pnhd #10-32X1/4Cd (Bag 10)
59	818 227 082BG	Scr-Smrd #6-32X1/2 (Bag 10)
60	818 233 082BG	Scr-Smrd #8-32X1/2 (Bag 10)
61	818 233 122BG	Scr-Smrd #8-32X3/4 (Bag 10)
62	818 239 122BG	Scr-Smrd #10-24X3/4 (Bag 10)
63	818 627 042BG	Scr-Smrd #6-32X1/4 (Bag 10)
64	826 032 060BG	Scr-Tat-Wa 8-3/8 (Bag 100)
65	828 127 062BG	Scr-Tdrd+6-32X3/8Tyd (Bag 10)
66	829 905 042	Screw-Drpk 0 X1/4 Ty U
67	834 621 000BG	NUT-HEX 4-40 BRASS(Bag 10)
68	839 527 002BG	Nut-Fix-Tk #6-32 Ht (Bag 10)
69	839 539 002BG	Nut-Fix-Tk #10-24 Ht (Bag-10)
70	843 127 002BG	Nut-Kep #6-32 Wash (Bag 10)
71	843 133 002BG	Nut-Kep #8-32 Wash (Bag 10)
72	844 049 002BG	Nut-Stvr-Lk 1/4-20 (Bag 10)
73	916 931 256	Resistor 20w 1.25K

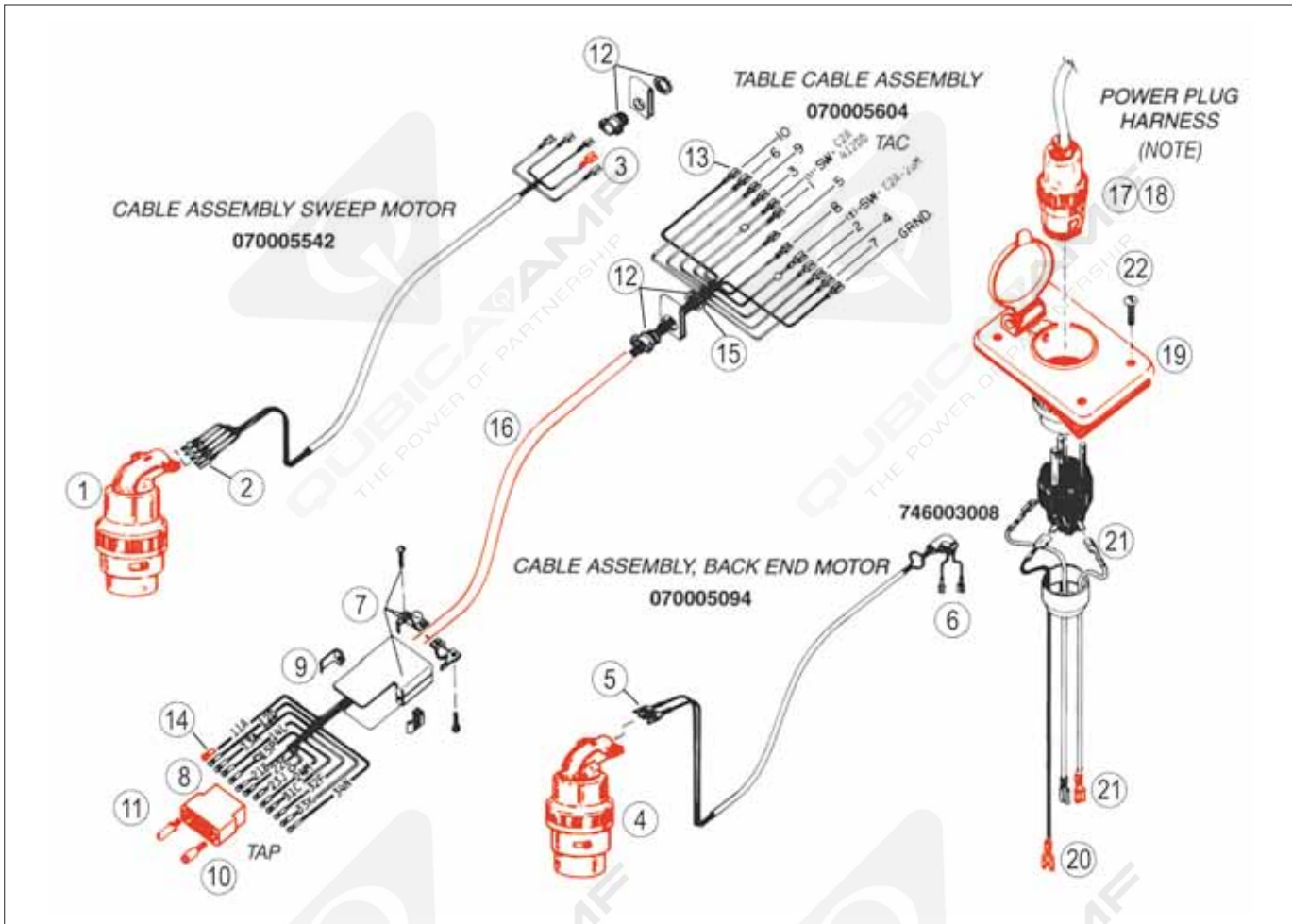
## WIRING MANUAL - 82-70

Clear, in-depth directions on electrical troubleshooting & maintenance

**Product Code**      **61000009**



# CABLE & WIRE ASSEMBLIES



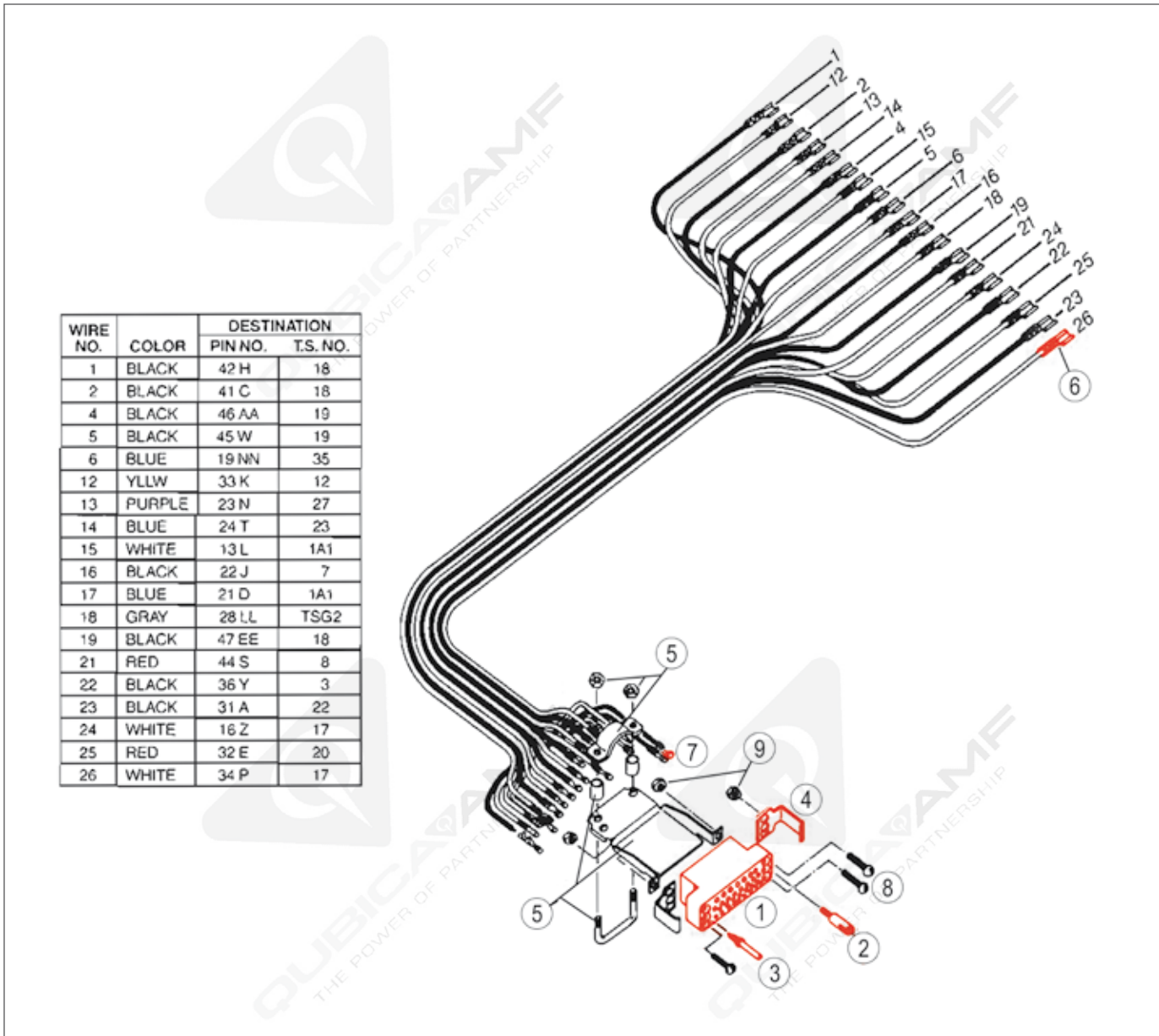
## CABLE & WIRE ASSEMBLIES

ITEM	PART NUMBER	DESCRIPTION
Cable Assembly Sweep Motor		
1	000 027 660	Plug-Female
2	760 015 038	Terminal, Flat Spade
3	760 017 036	Term-Strait Amp 41729
Cable Assembly-Backend Motor		
4	000 025 907	Plug Female (2 Pin)
5	760 015 038	Term-Amp
6	760 017 036	Term-Strait Amp 41729

ITEM	PART NUMBER	DESCRIPTION
Table Cable Assembly		
7	000 025 049	Shield
8	000 025 078	Block-Term amp 2012981
9	000 025 557	Clip-Spring Lock
10	000 028 441BG	Guide Socket
11	000 028 442BG	Guide Pin
12	746 001 016	Cnectr-Str #3302 1/2
13	760 017 044	Term Str-Amp 41772 RI
14	760 019 201BG	Term Skt .062 Dia Lp (Bag 20)
15	846 100 000	Nut Kl 1/2 Cndut Tb141
16	940 372 000	Sleeving-Exp 1/2 Dia (Order 6 Ft.)
Power Plug Harness		
17	754 010 336	Plug-3 Wire 30A 125V
18	754 010 337	Plug Arrowhart 50 Hz
19	755 020 359	Recpt-3 Wire 30A 125V
20	760 015 055	Term-Spde 42168-2
21	760 017 036	Term-Strait Amp 41729
22	812 627 122	Screw-Rdhd 6-32 X 3/4

NOTE: Later model components have flat terminals and must be used in pairs.

\* Metal Russel-Stoll plug and receptacle are no longer available. If replacing plug or receptacle, replace both.

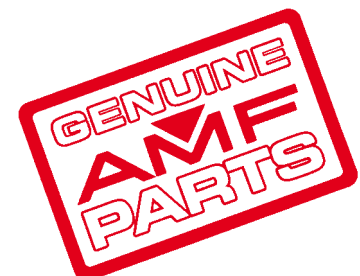


## C-1 CABLE ASSEMBLY

ITEM	PART NUMBER	DESCRIPTION
1	000 025 144	Plug Male
2	000 028 441BG	Guide Soc (Bag of 10)
3	000 028 442BG	Guide Pin
4	000 029 013BG	Locking Spring Clip (Bag of 2)
5	000 029 093	Clamp Strain Reliever

ITEM	PART NUMBER	DESCRIPTION
6	760 017 036	Term-Straight Am
7	760 019 201BG	Term Skt .062 Dia Lp (Bag of 10)
8	813 321 062BG	Screw Cd (Bag 10)
9	834 821 000BG	Nut-Hex 4-40 Brass (Bag 10)

Note: Use Amp Extracting Tool - 030 004 031 for terminal removal.

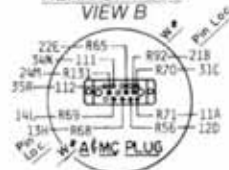


# C-2A HARNESS ASSEMBLY

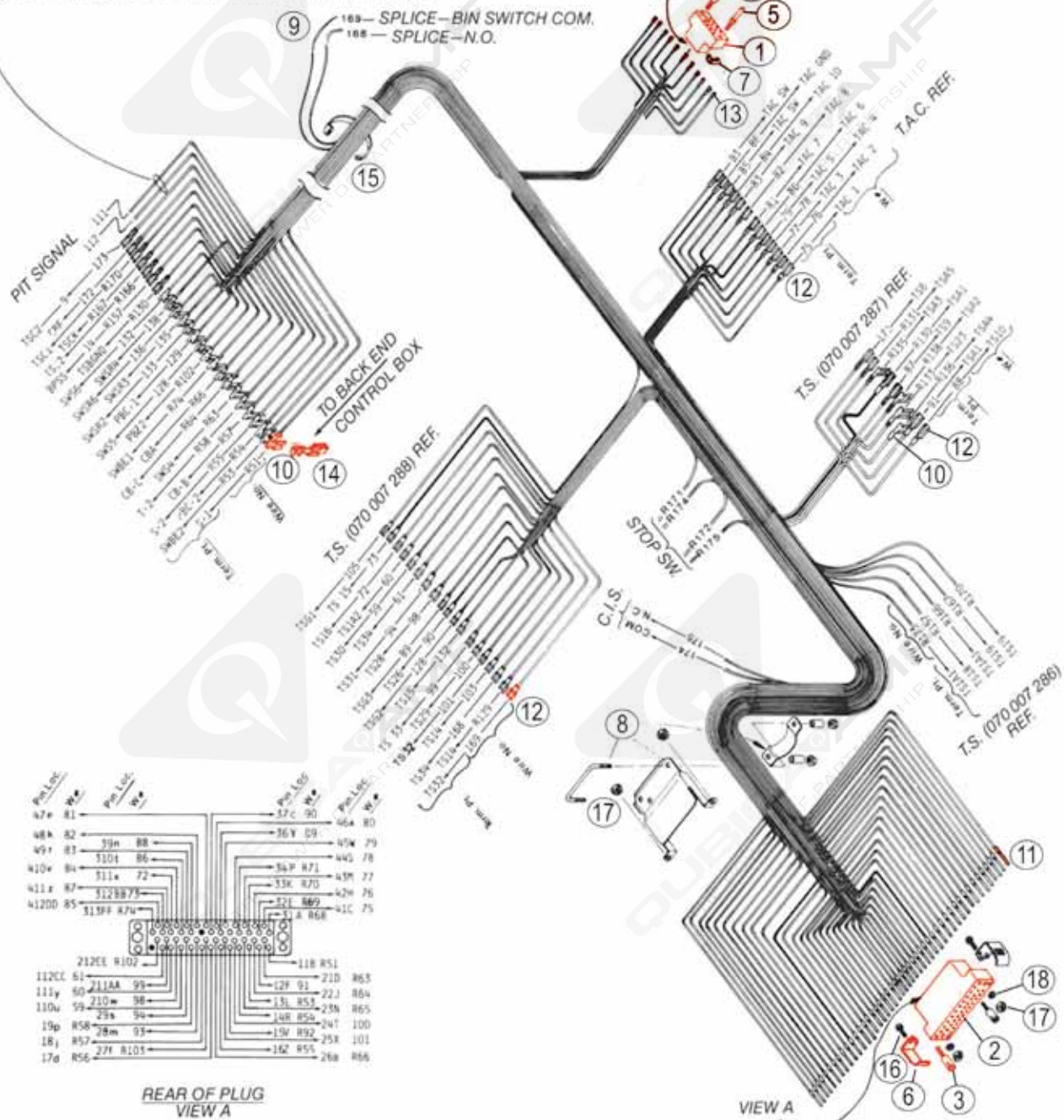
**NOTES:**

1. THESE WIRES ARE FOR HOUSE SIGNAL SYSTEM IF DESIRED, TAPE THESE WIRE ENDS & ATTACH TO LOW VOLTAGE WIRE CABLE IN B.E. CONTROL BOX.
2. WIRES 87 & 88 MAY BE CONNECTED TO TS44 & TS 45 RESPECTIVELY IF TS44 & TS 45 ARE PRESENT.
3. ALL WIRES SHOULD HAVE U.L. SURFACE MARKINGS

REAR OF PLUG  
VIEW B



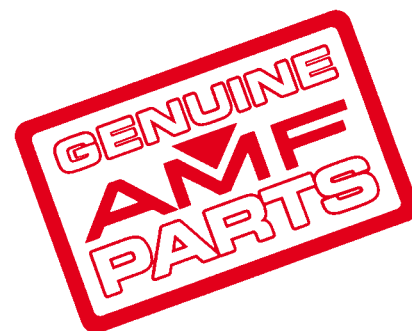
SEE FRONT END ELECTRICAL  
INSTALLATION (070 006 469) FOR  
A & MC PLUG PARTS BREAKDOWN.



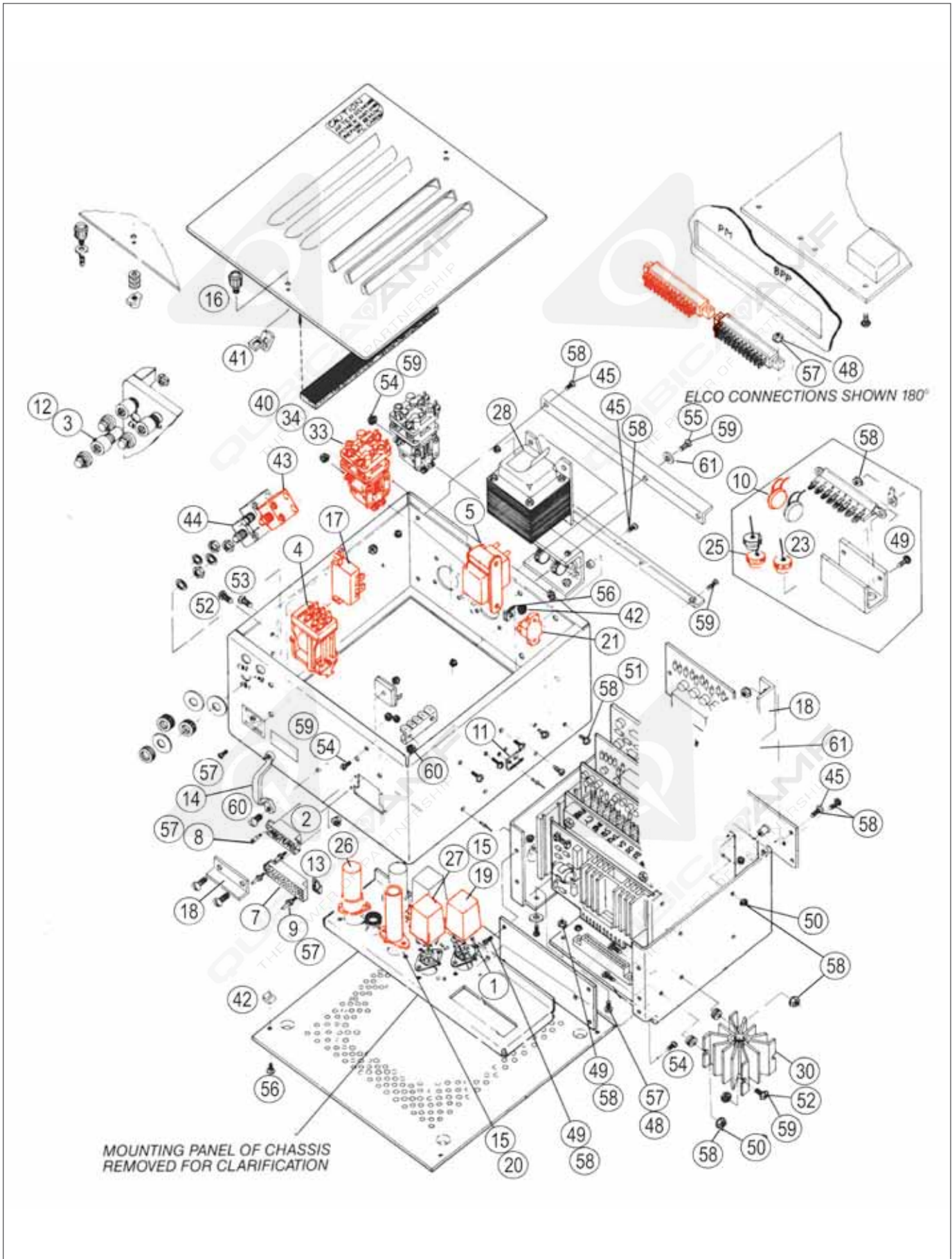
**C-2A HARNESS ASSEMBLY**

ITEM	PART NUMBER	DESCRIPTION
1	000 025 078	Block Term Amp
2	000 028 409	Block-Term Amp
3	000 028 441BG	Guide Socket Bag(10)
5	000 028 442BG	Guide Pin
6	000 029 013BG	Locking Spring Clip (Bag Of 2)
7	000 029 014BG	Locking Spring Catch
8	000 029 896	Clamp Strain Relvr
9	746 007 105	Insulatd Line Splice
10	760 006 195	Term Flg .250 X .032 Lp

ITEM	PART NUMBER	DESCRIPTION
11	760 011 197BG	Term-Pin.062 Dia Lp (Bag 20)
12	760 017 036	Term-Strait Amp
13	760 019 201BG	Term Skt .062 Dia Lp v
14	760 022 150	Term-18-14 Ga Wire
15	770 011 029	Tyrap-7.31 Inch Lg
16	813 321 062BG	Screw Cd (Bag 10)
17	834 821 000BG	Nut-Hex 4-40 Brass (Bag 10)
18	951 020 000BG	Wshr-Lk-Split # 4 (Bag 10)



# SOLID STATE CHASSIS



## SOLID STATE CHASSIS

ITEM	PART NUMBER	DESCRIPTION
1	000 021 231	Socket
2	000 025 068	Block-Term Amp
3	000 025 555	Fuse-Slo Blow 3 Amp
4	000 025 863	Relay 24 V 50-60 Cy
5	000 026 836	Trsfmr 115-60
6	000 027 870	Trsfmr 115/230 50/60
7	000 028 410	Block-Term Amp
8	000 028 441BG	Guide Socket (Bag 10)
9	000 028 442	Guide, Pin (Bag 10)
10	000 028 452	Varistor
11	000 028 494	Hook
12	000 029 010	Post Fuse Extractor
13	000 029 014BG	Locking Spring Catch
14	000 029 117	Handle
15	000 029 301	Rectifier-Silc. 2069
16	070 001 990	Knob-Chassis Cover
17	070 005 149	Relay-Thermal
18	070 005 514	Shield-Angle
19	070 005 515	Relay-Chassis 24Vac
20	070 005 652	Cpctr-100Mfd 250Wvdc
21	070 005 666	Circuit Breaker
23	070 005 842	Diode-Power
25	070 005 859	Diode-Power
26	070 005 874	Cpctr-1500Mfd 50W.V.
27	070 005 883	Relay
28	070 005 898	Trsfmr 115/230 50

ITEM	PART NUMBER	DESCRIPTION
30	070 005 998	Triac
33	070 011 753	Relay Mtg. Bracket
34	070 011 755	Relay 50/60Hz
40	610 704 141	Relay 50-60 Hz
41	713 510 007	Pawl-Chassis Cover
42	724 511 050	Tin-Clip-Ty'U'c-8111
43	743 502 024	Circuit Breaker Cb2/Cb3
44	743 506 006	Circuit Breaker 3 Amp
45	813 327 062	6-32 X 3/8 Sltd Pan Head Screw
48	818 221 102BG	Scr-Smrd #4-40X5/8 (Bag 10)
49	818 227 062	Screw-Smrd #6 X 3/8
50	818 227 082BG	Scr-Smrd #6-32X1/2 (Bag 10)
51	818 227 102	Screw-Smrd #6-32 X 5/8
52	818 233 042	Screw-Smrd #8-32 X 1/4 - OBS
53	818 233 062	Scr-Smrd #8-32X3/8
54	818 233 082BG	Scr-Smrd #8-32X1/2 (Bag 10)
55	818 233 122BG	Scr-Smrd #8-32X3/4 (Bag 10)
56	824 332 082BG	Scr-Tap-Tr #8X 1/2 Tya (Bag 10)
57	843 121 002	Nut-Kep 4-40 Wash
58	843 127 002BG	Nut-Kep 6-32 Wash (Bag 10)
59	843 133 002BG	Nut-Kep 8-32 Wash (Bag 10)
60	843 140 002BG	Nut-Kep 10-32 Wash (Bag 10)
61	948 637 072BG	Wshr- 3/16X7/16X3/64 (Bag 10)

\* See page 103 for Repair and Exchange Program.  
 \*\* Not compatible with Elco Chassis unless all #6 PC Boards are of the new type 070 007 630.  
 \*\*\* Order Kit 610 070 300 to convert to MP 110V, order Kit 610 070 200 to convert to MP 220V.

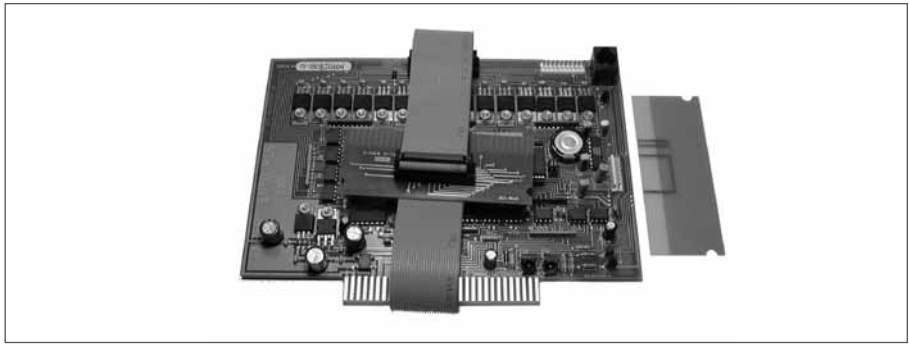
### XOP RELAY



**Product Code 070009872**

\* See page 103 for repai & Exchange program

### XOP BD W/OUT CABLE ASM

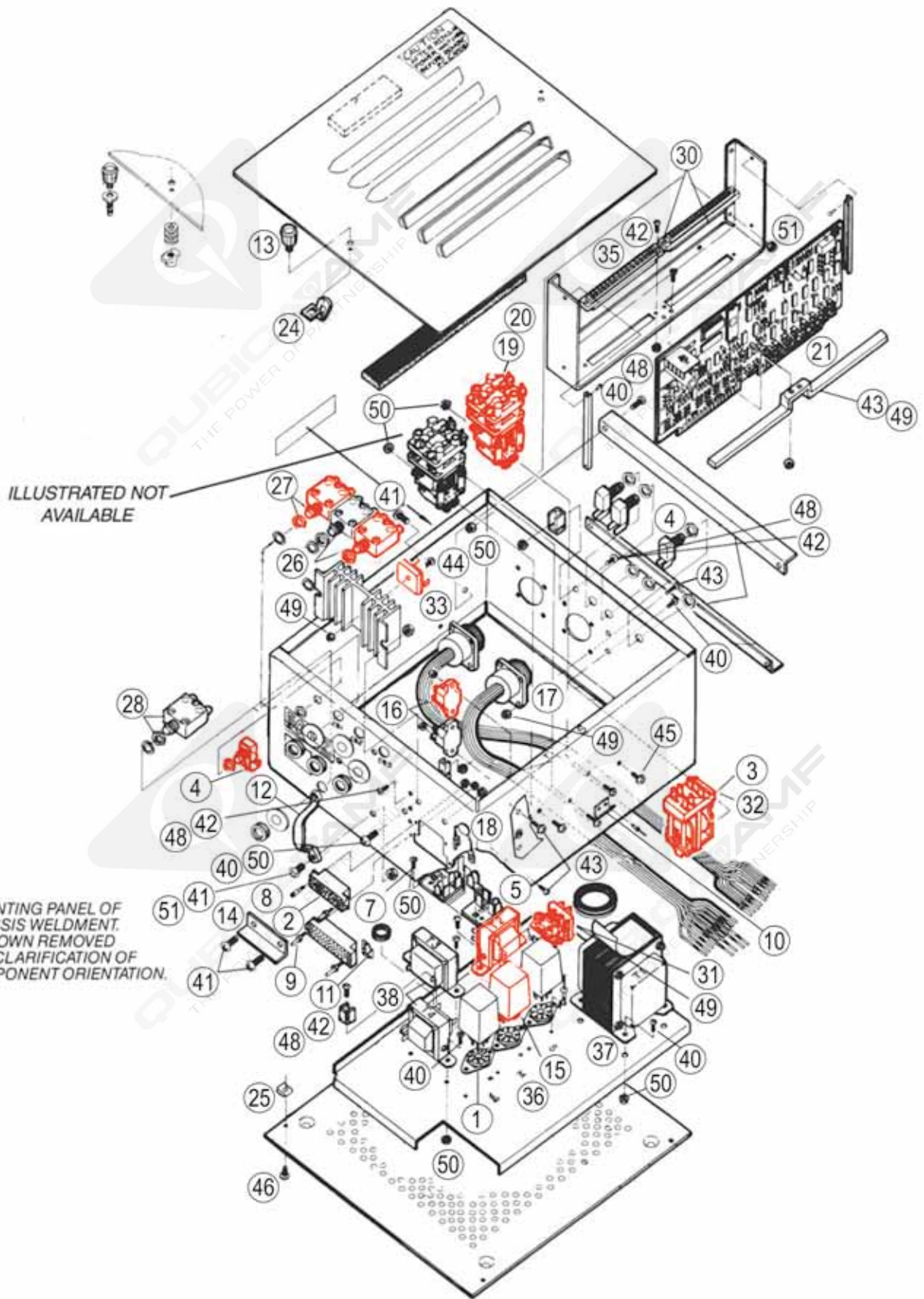


**Features:**

- Works great to replace five boards in a five-board chassis.
- Comprehensive status indicators
- Single chip microprocessor
- Solid state power Field Effect transistors
- Low heat emission
- Optically coupled inputs (surge protector)
- Program (memory) reset
- Software upgradable for future enhancements
- Auto scoring interface: shortens strike cycle, auto sweep reverse 7-10 pick
- By passes: KX relay:
- Pin lamp triac
- Capacitors #2 and 3
- Diodes #2, 14 through 23

**Product Code 620709870**

# MP CHASSIS ASSEMBLY





## MP CHASSIS ASSEMBLY

ITEM	PART NUMBER	DESCRIPTION
1	000 021 231	Socket
2	000 025 068	Block-Termamp2008382
3	000 025 863	Relay 24 V 50-60 Cy
4	000 025 865	Plunger Switch
5	000 026 836	Trsfmr 115-60
6	000 027 870	Trsfmr 115/230 50/60
7	000 028 410	Block-Term Amp
8	000 028 441BG	Guide Socket (Bag 10)
9	000 028 442BG	Guide, Pin (Bag 10)
10	000 028 494	Hook
11	000 029 014BG	Locking Spring Catch
12	000 029 117	Handle
13	070 001 990	Knob-Chassis Cover
14	070 005 514	Shield-Angle
15	070 005 515	Relay-Chassis 24Vac
16	070 005 666	Circuit Breaker
17	070 009 811	Receptacle Assy (Mask)
18	070 009 815	Varistor Assembly T1
19	070 011 753	Relay Mtg. Bracket
20	070 011 755	Relay 50-60Hz
21	520 709 860	82-70 Sngl Chip Mp Bd W/Leds
22	610 704 141	Relay 50-60Hz Kit
24	713 510 007	Pawl-Chassis Cover
25	724 511 050	Tin-Clip-Ty'U'c-8111
26	743 502 024	Circuit Breaker Cb-2 & Cb-3
27	743 506 006	Circ Brkr-3 Amp
28	743 507 007	Circ Brkr-1 Amp
30	748 010 034	Transient Voltage Suppressor
31	755 504 006	Relay P&B Ka5av 24V
32	755 504 048	Relay P&B T91
33	756 001 008	Rectifier-Bridge 12A
34	760 001 070	Term-Adptr-3000S-5-1
35	760 005 129	Termnal Amp#583361-4
36	761 700 002	Varistor-Ge V4721
37	762 011 011	Trsfmr 115/230 50/60
38	762 015 015	Trsfmr 120 50/60
40	812 633 062BG	Scr-Rdhd #8-32X3/8Cd (Bag 10)
41	813 540 082BG	Scr #10-32X1/2Cd (Bag 10)
42	817 921 080	Scr #4-40 X 1/2 Sem
43	818 227 102	Screw-Smrd #6-32 X 5/8
44	818 227 162BG	Scr-Smrd #6-32X1 (Bag 10)
45	818 233 122BG	Scr-Smrd #8-32X3/4 Bag(10)
46	823 132 082BG	Screw-Tap-Rdt 8 X 1/2 (Bag 10)
47	834 821 000BG	Nut-Hex 4-40 Brass (Bag 10)
48	843 121 002	Nut-Kep 4-40 Wash
49	843 127 002BG	Nut-Kep 6-32 Wash (Bag 10)
50	843 133 002BG	Nut-Kep 8-32 Wash (Bag 10)
51	843 140 002BG	Nut-Kep 10-32 Wash (Bag 10)
52	951 020 000BG	Wshr-Lk-Split # 4 (Bag 10)

Order Kit 610 070 300 to convert to MP 110V or 610 070 200 to convert to MP 220V

\* See page 103 for Repair and Exchange Program.

\*\* After serial #16795, effective 10-10-98.

Note: See page 1A.63 for list of Terminals.

## PC BOARD COMPONENTS MANUAL

Features:

- In-depth description of on-board circuits and circuit theory
- Identification of all board components
- Converts four units, 5-board chassis, MP through 9850 and more

**Product Code 610007030**

## SUPER STAR MP CHASSIS 60HZ



Features:

- New improved design features resettable breaker protection for all high-voltage circuits, cooling fan, and stronger internal components.
- 1st ball only: complete sweeps after one ball for optimal practice conditions
- 9-pin strike: the pinspotter will run a strike cycle when one pin or less is left standing
- Multiple pinspotter speeds: features 3 speeds: normal, medium, fast. Medium cycle is about 50% faster than normal 82-70 speed the fast cycle is about 100% faster
- Shadow bowling
- 3-ball frames the first two balls account for the first cycle and the third ball activates the second cycle
- Easy control with state-of-the-art LED lights and switches
- Separate status lights and controls for each 82-70
- Six function control switches per lane
- 47 Led status indicator lights per lane
- Replaces either the 5 board or stepper chassis
- Excellent serviceability
- Off spot S/R: the pinspotter will perform a sweep reverse when an off spot condition occurs.
- New technology is easier to support

**Product Code 070003902**

## MP CHASSIS CONVERSION KIT



Features:

- Complete Kit with Super Star Chassis
- Includes Elco Mask Adapter
- Sweep Reverse Wiring- For AMF Automatic Scoring Interface
- Spotting Latch Override- Keeps latch from jamming during Strike Cycle
- Less Chassis Repair/Replacement
- Saves unnecessary Table Run when interfaced to AMF Automatic Scoring

**Product Code 610070300**

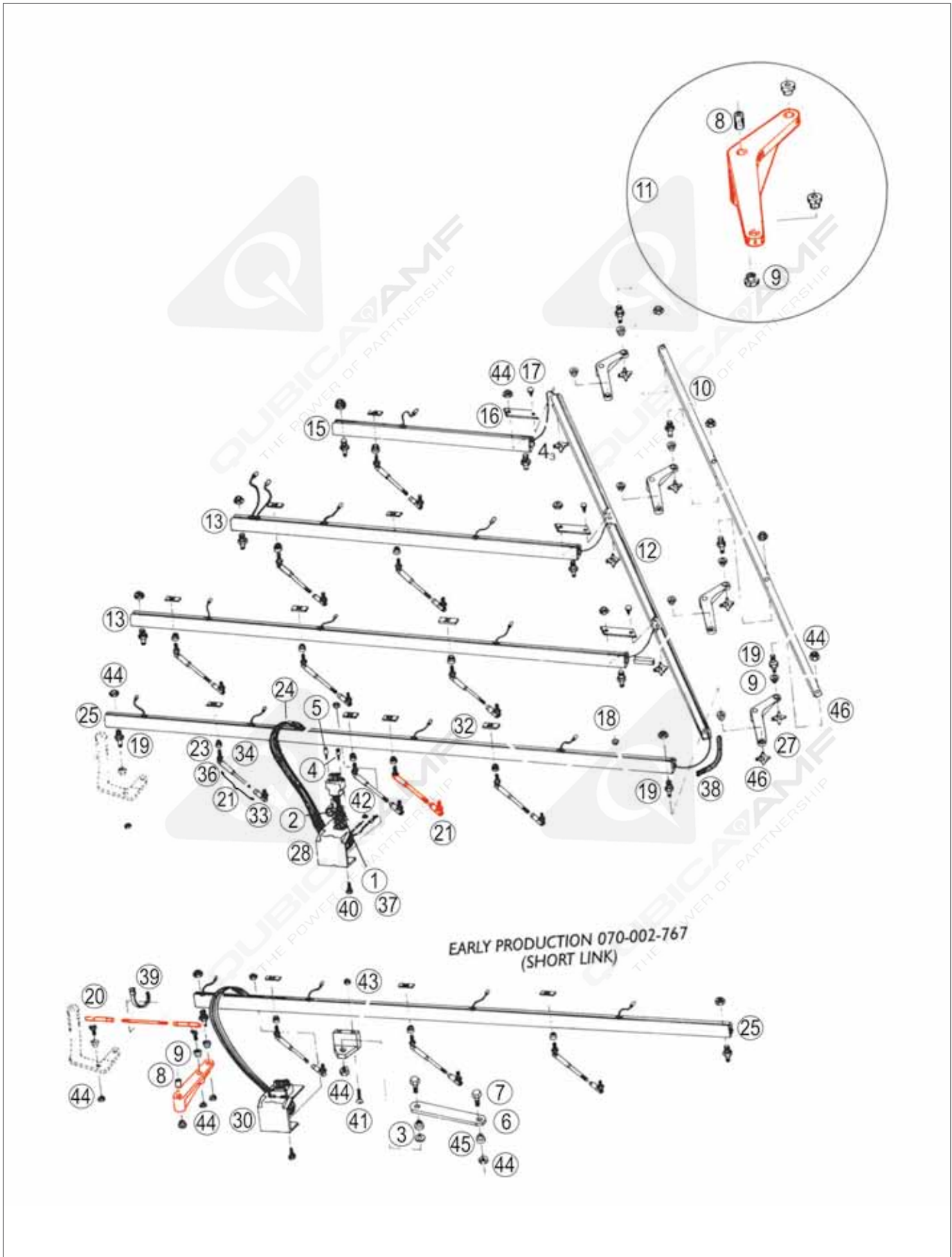
## 120V 60HZ MP CHASSIS

Features:

- Direct replacement for 6525 chassis on 82-30's.
- LED diagnostics and push button operation.
- Runs short strike cycle when connected to QubicaAMF scoring.
- New improved design features resettable breaker protection for all high-voltage circuits, cooling fan, and stronger components.

**Product Code 520316526**

# TABLE WIREWAY ASSEMBLY

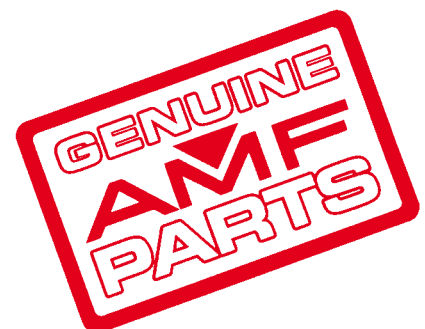


**TABLE WIREWAY ASSEMBLY**

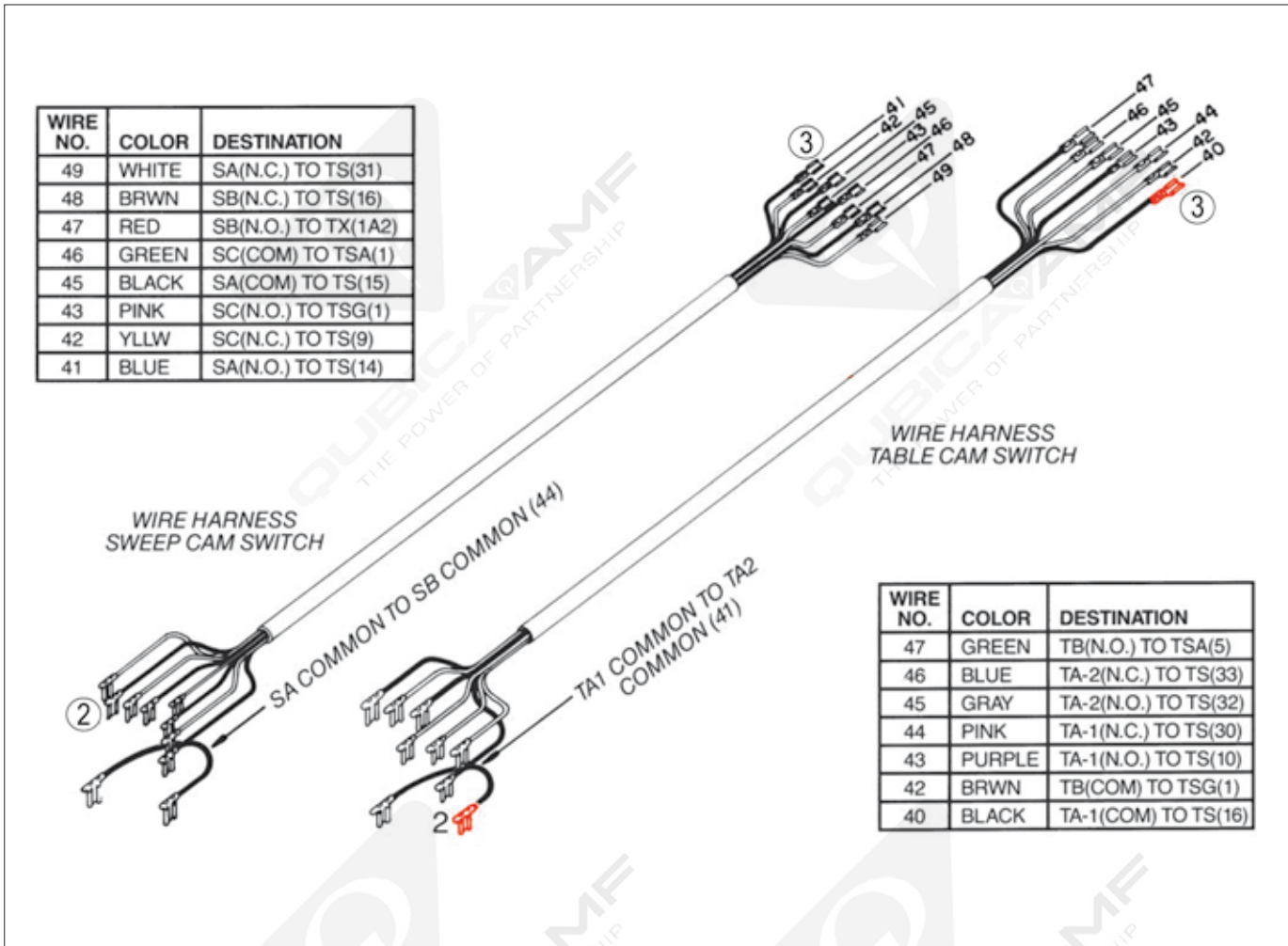
ITEM	PART NUMBER	DESCRIPTION
1	000 025 079	Block-Term Amp
2	000 025 556BG	Catch Spring Lock (Bag 2)
3	000 026 865BG	Washer (Bag 10)
4	000 028 441BG	Guide Socket (Bag 10)
5	000 028 442BG	Guide Pin (Bag 10)
6	070 002 582	Drive Link Assembly-Rear
7	070 002 619	Pin Actuator Shaft
8	070 002 652BG	Bearing SI .252 X 315 X .5 Lg (Bag 20)
9	070 002 653BG	Bearing FI .252 X .315 X .38 (Bag 20)
10	070 002 671	Link Respot Connector
11	070 002 678	Lever Respot Assy
12	070 002 766	Link-Table Assembly
13	070 002 768	Link-Table Assembly
15	070 002 770	Link-Table Assembly
16	070 002 771	Plate-Table
17	070 002 772BG	Pin-Table (Bag 10)
18	070 002 773BG	Grommet-Table Asy (Bag 10)
19	070 002 774BG	Pin (Bag 2)
20	070 002 813	Respot Link
21	070 002 814	Link Assembly
23	070 002 815BG	Bearing .252 X .318 X .307 Lg (Bag 10)
24	070 005 602	Cbl-Table

ITEM	PART NUMBER	DESCRIPTION
25	070 006 669	Link Respot
27	070 007 623	Lever Respot Assembly
28	090 002 538	Table Connector Bracket
30	610 704 010	Table Cable Replacement Kit
32	724 507 002BG	Tin-Nut C-160-1420 (Bag 10)
33	730 023 015	Shell
34	730 027 019	Stud-Ball 1/4-20
35	730 035 025	Clip-Ball-Joint Brass
36	730 036 025	Clip-Silver
37	760 011 197BG	Term-Pin.062 Dia Lp (Bag 10)
38	770 008 009	Spirap-Poly-5 Ft Strip
39	770 011 029	Tyrap-7.31 Inch Lg
40	809 849 085	Screw-Hex 1/4-20 X 1/2
41	812 039 162BG	Screw-FLHd 10-24 X 1 (Bag 10)
42	834 821 000BG	4-40 Hex Brass Nut (Bag 10)
43	839 539 002BG	Nut-Flx-Tk *10-24 Ht(Bag 10)
44	844 049 002BG	1/4-20 Lock Nut (Bag 10)
45	900 205 053BG	Bearing FI .315 X .44 X 5/16 (Bag 5)
46	963 200 002BG	Washer-X 1/8 9000-8 (Bag 10)

\* Short Link is no longer available. Use item 7 as replacement.



# WIRE HARNESS SWEEP CAM SWITCH & TABLE CAM SWITCH



## WIRE HARNESS SWEEP CAM SWITCH & TABLE CAM SWITCH

ITEM	PART NUMBER	DESCRIPTION
2	760 006 195	Term Flg .250 X .032 Lp
3	760 017 036	Term-Strait Amp41729

## SPECIAL TOOLS - CHASSIS & ELECTRICAL

ITEM	PART NUMBER	DESCRIPTION
	030 004 031	Amp Extracting Tool
	791 003 004	C-2A Circuit Tester
	791 004 004	Continuity Test Light
	792 512 019	Amp Crimping Tool



**QUBICA**  **AMF**  
**FRONT END COMPONENTS**

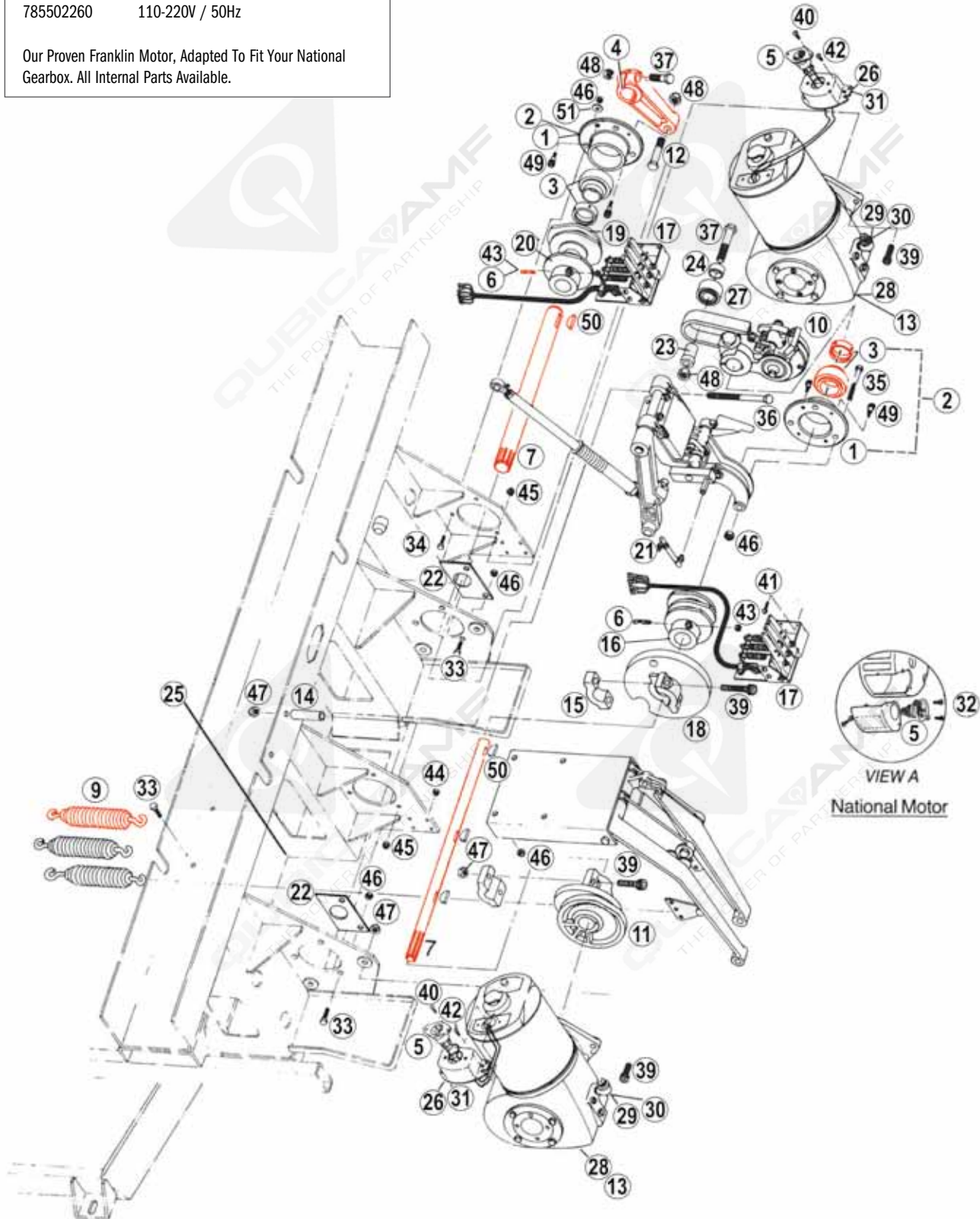


# FRONT END DRIVE ASSEMBLY

## NEW NATIONAL COMBO MOTOR REPLACEMENT

610704052 Combo Westinghouse 60Hz Motor  
785502260 110-220V / 50Hz

Our Proven Franklin Motor, Adapted To Fit Your National Gearbox. All Internal Parts Available.



## FRONT END DRIVE ASSEMBLY

ITEM	PART NUMBER	DESCRIPTION
1	000 021 683	Retainer, Bearing
2	000 021 744	Bearing, Self Aligning
3	000 021 905	Bearing (Locking Collar)
4	000 023 139	Arm-Crank
5	000 027 655	Receptacle-Male Combo 5 Prong
6	070 001 664	Clamp Stud
7	070 001 699	Shaft, Sweep Drive
8	070 001 700	Shaft, Table Drive
9	070 001 707	Spring
10	070 001 840	Table Drive Asy
11	070 001 910	Spot Respot Cam
12	070 003 243	Screw-Crank Arm
13	070 006 219	Mtr-115/230-50 Comb
14	070 006 310	Spacer
15	070 006 407	Cap-Cam Hub
16	070 006 417	Table Cam Weld
17	070 006 420	Cam Switch Assy
18	070 006 427	Cam, Shuttle
19	070 006 449	Cam Weld-SB & SC
20	070 006 450	Cam Weld-SA
21	070 006 493	Ball-Joint Assy
22	070 006 765	Shaft Plate
23	070 007 310	Bushing
24	070 007 311	Sleeve
25	070 007 761	Brkt Spot Respot Spring Hanger Kit
26	090 004 521	Receptacle Housing
27	190 001 490	Bearing, Table Drive
28	610 704 052-R	FE Motor Combo Gearbox 60 Hz
29	710 501 004	Fitting-Almte

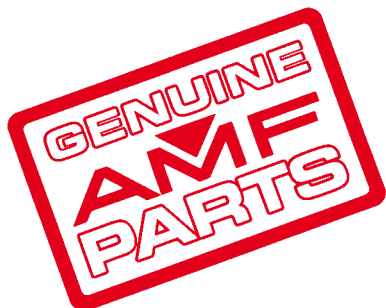
ITEM	PART NUMBER	DESCRIPTION
30	718 506 006	Elbow, Street
31	785 501 655	Recpt Asy-West Comb
32	785 502 202	Screw Rdhd 3 X 10Mm
33	809 857 125BG	Screw-Hx 5/16-18 X 3/4 (Bag 10)
34	809 857 165BG	Screw-Hx 5/16-18 X 1 (Bag 10)
35	809 857 405BG	Screw-Hx 5/16-18 X 2 1/2 (Bag 10)
36	809 865 645BG	Screw-Hx 3/8-16 X (Bag 10)
37	809 873 405BG	Screw-Hx 1/2-13 X 2 1/2 (Bag 10)
39	810 265 280BG	Screw-Soc 3/8-16 X 1 3/4 (Bag 10)
40	818 227 062	Screw 6-32 X 3/8 Phil Rd
41	818 239 122BG	Screw-Smrd 10-24 X 3/4 (Bag 10)
42	828 127 062BG	Screw-Rdhd 6-32 X 3/8Tyd (Bag 10)
43	835 549 002BG	1/4-20 Jam Nut (Bag 10)
44	840 039 002BG	10-24 Flex Nut Tn (Bag 10)
45	843 139 002BG	Nut, Keps Ext. Lkwshr (#10-24) (Bag 10)
46	844 057 002BG	5/16-18 Stover Locknut (Bag 10)
47	844 065 002BG	3/8-16 Stover Lock Nut (Bag 10)
48	844 073 002BG	1/2-13 Stover Locknut (Bag 10)
49	880 239 140BG	Screw1/4X1/2Lg.ShoulderBolt(Bag10)
50	907 000 900BG	Key-Hy Pro 910 (Bag 10)
51	948 761 112BG	5/16 Washer (Bag 10)
Not Shown		
	030 003 943	Crank, Motor
	088 001 174	End Machine Guard
	610 700 153	End Machine Kit
	610 704 103	Kit-Spring Roller Pin Repair Kit
	610 704 120	Double To Single Solenoid Conv. Kit

\* See page 103 for exchange repair program.

Note: Lubricant for Motor: 715 021 716 LUBE OIL, 600W, QUART  
 715 021 706 LUBE OIL, 600W, 12 QUARTS

### SPECIAL TOOLS - FRONT END

030003943	Motor Crank
792505005	Spring Puller
030002748	Cam Gauge



### SOLID STATE MOTOR SWITCH



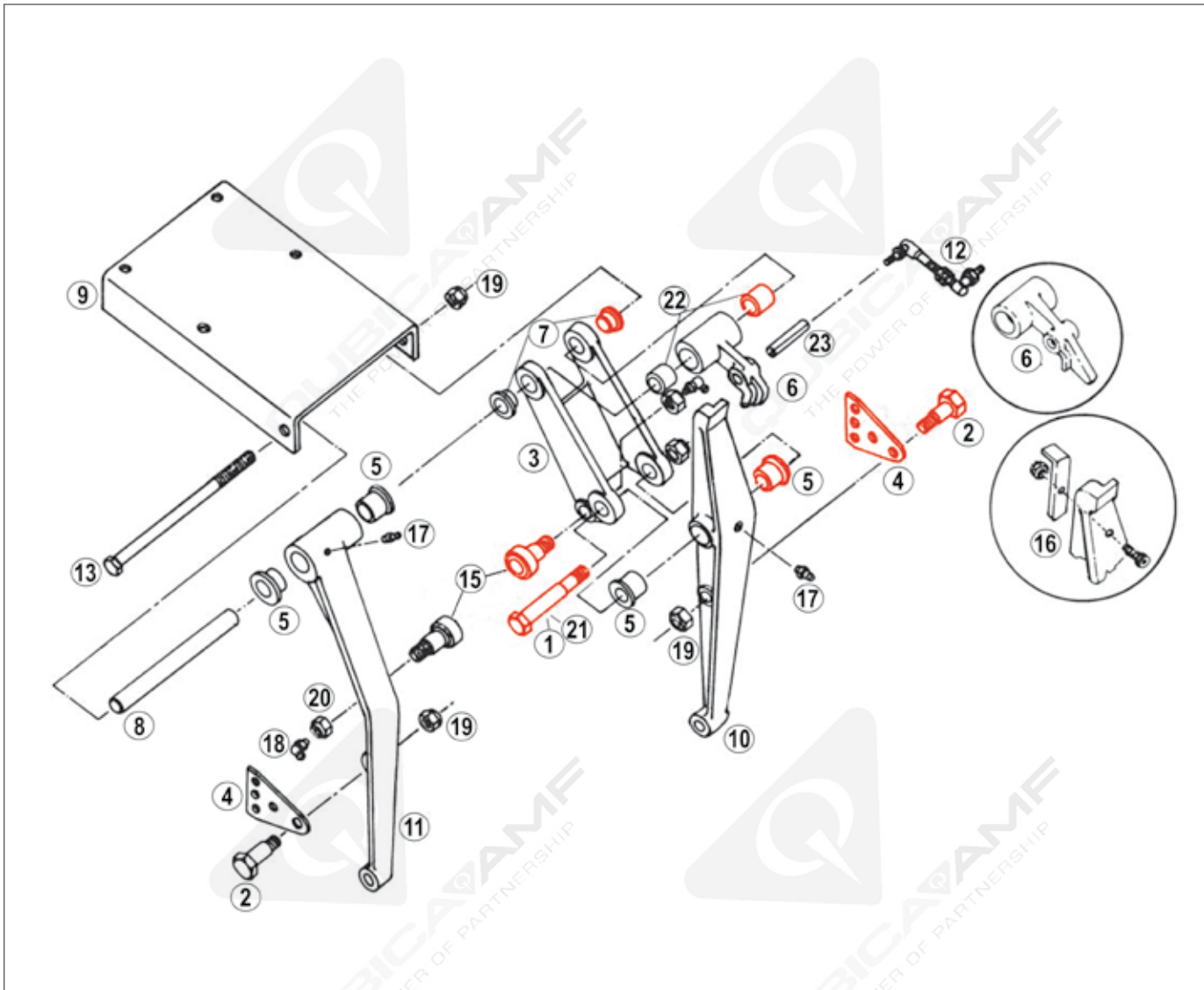
Includes the braking circuit to help prevent coasting.  
**Product Code 610309044**

### RELAY



**Product Code 030005923**

# SPOT & RESPOT LINK ASSEMBLY

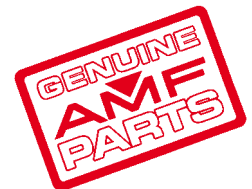


## SPOT & RESPOT LINK ASSEMBLY

ITEM	PART NUMBER	DESCRIPTION
1	070 001 585	Pin-Spot Link
2	070 001 587	Pin-Spring Hanger
3	070 001 605	Spot Link Assembly-Upper
4	070 001 751	Hanger-Spring
5	070 001 919BG	Flanged Bushing (Bag 10)
6	070 001 997	Latch Assembly - Spot Arm Assy
7	070 002 691BG	Flanged Bushing (Bag 10)
8	070 006 457	Shaft
9	070 006 478	Bracket
10	070 006 481	Link Arm-Spot Assy
11	070 006 492	Link Arm-Respot Assy
12	070 006 493	Ball-Joint Assembly

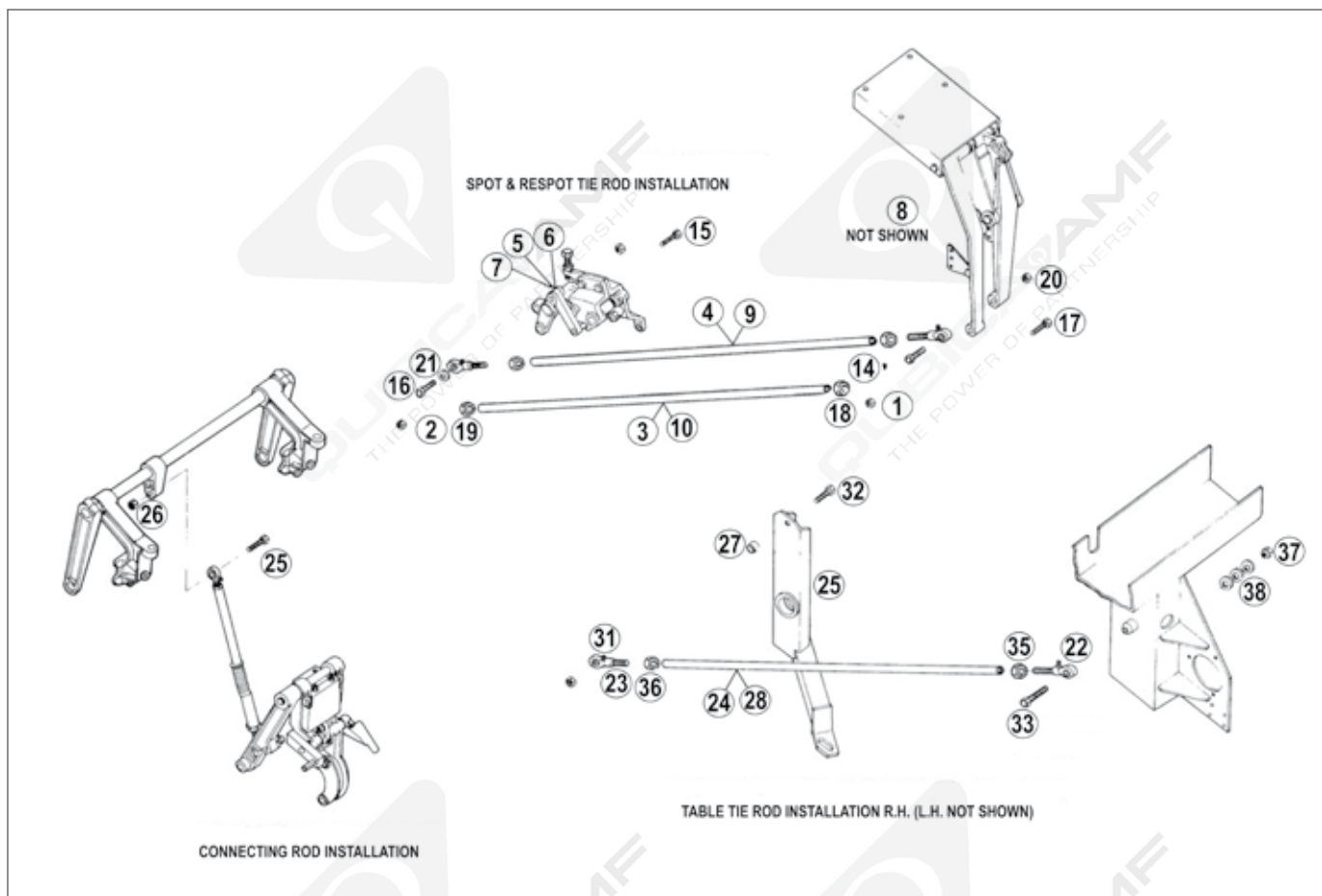
ITEM	PART NUMBER	DESCRIPTION
13	070 006 496	Screw-Hx 3/8-16 X 7
14	090 005 576	Hanger-Spring
15	610 704 002	Cam Follower Assembly
16	610 704 127	Kit-Latch Override Use With Mp Chassis And 070006445 Latch Assembly
17	710 501 009	Fittng-Almte
18	710 501 012	Fittng-Almte
19	839 665 002BG	Nut-Flx 3/8-16 (Bag 10)
20	844 070 002BG	7/16-20 Stover Lock Nut (Bag 10)
21	844 073 002BG	1/2-13 Stover Locknut (Bag 10)
22	900 110 141BG	Bearing SI (Bag 10)
23	913 464 360BG	Pin-Sprng .375 X 2 1/4 (Bag 10)

\* Item 10a or Item 22 is used when upgrading from Elco to MP Chassis.





# SPOT & RESPOT TIE ROD INSTALLATION

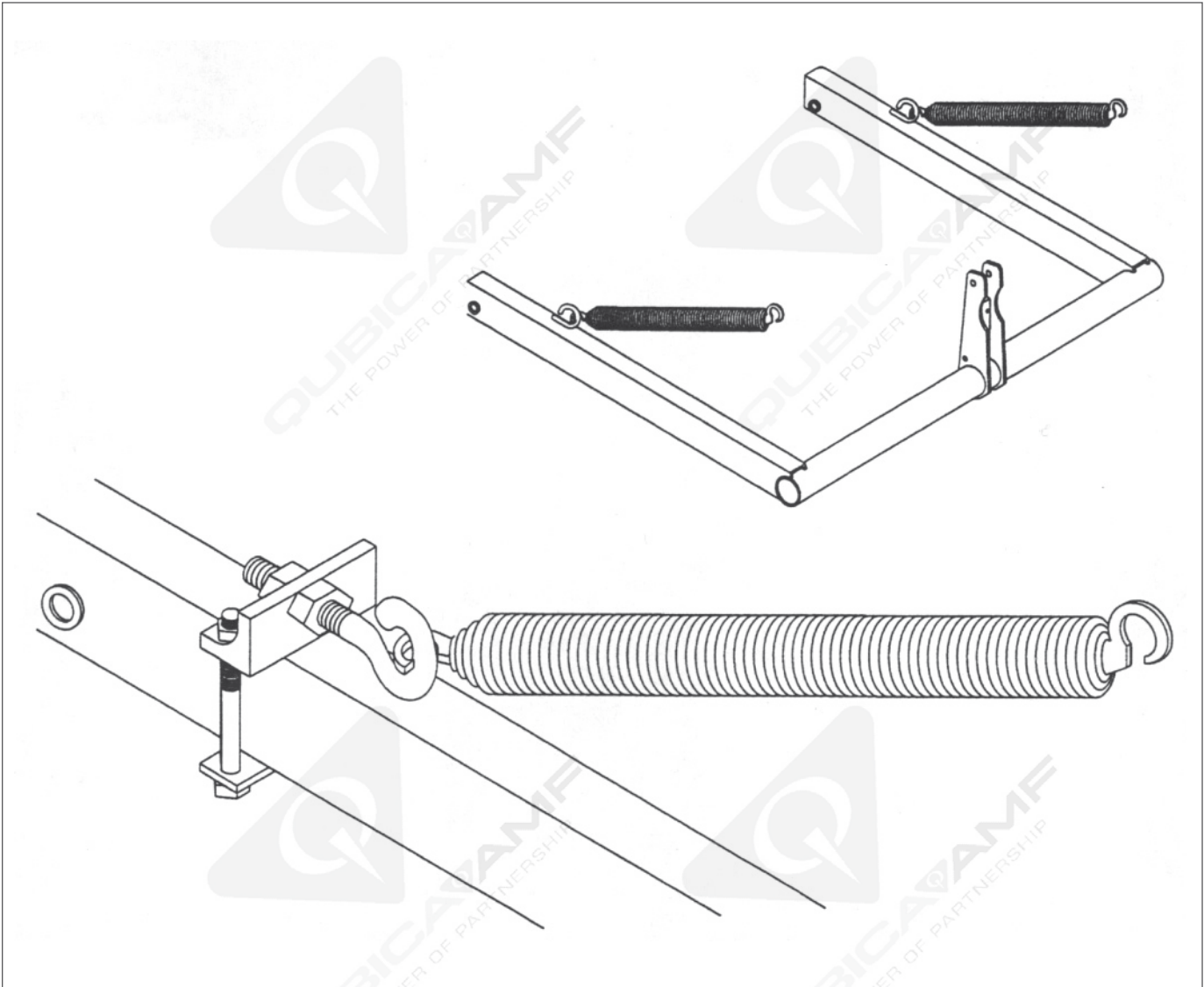


## SPOT & RESPOT TIE ROD INSTALLATION

ITEM	PART NUMBER	DESCRIPTION
Spot & Respot Tie Rod Installation		
1	000 025 004	End Fitting RH
2	000 025 005	End Fitting LH
3	070 001 606	Tie Rod Respot
4	070 001 607	Tie Rod Spot
5	070 002 578	Lever Assembly Spot
6	070 002 727	Link & Bearing Assembly
7	070 002 728	Cam Link Bearing Assembly
8	070 007 761	Spot Respot Spring Hanger Repair Kit
9	088 005 501	Spot Tie Rod Asm
10	090 005 251	Tie Rod Assy Spotting
11	090 005 251	Tie Rod Assy Respot
12	090 005 264	End Fitting RH
13	090 005 265	End Fitting LH
14	710 501 013	Grease Fitting
15	809 869 245BG	Screw-Hex 7/16-14 X 1 1/2 (Bag 10)
16	809 869 285	Screw-Hex 7/16-14 X 1 3/4
17	809 869 365BG	Screw-Hex 7/16-14 X 2 1/4 (Bag 10)
18	835 570 002BG	Nut-Hex-Jam 7/16-20Hy (Bag 10)
19	835 670 002BG	Nut-Hex-Jam 7/16-20LH (Bag 10)
20	844 069 002BG	Nut-Stvr-Lk 7/16-14 (Bag 10)
21	949 100 002BG	Washer-59/64 X 15/32 (Bag 10)

ITEM	PART NUMBER	DESCRIPTION
Table Tie Rod Installation		
22	000 025 004	End Fitting RH
23	000 025 005	End Fitting LH
24	070 001 557	Tie Rod
25	070 007 295	Table Support Assy RH
26	070 007 296	Table Support Assy LH
27	070 007 303	Spacer-Front End
28	090 005 253	Tie Rod Assy
29	090 005 264	End Fitting RH
30	090 005 265	End Fitting LH
31	710 501 013	Grease Fitting
32	809 869 325BG	Screw-Hex Hd Cap 7/16-14 X 2 (Bag 10)
33	809 869 365BG	Screw-Hex 7/16-14 X 2 1/4 (Bag 10)
35	835 570 002BG	Nut-Hex-Jam 7/16-20Ry (Bag 10)
36	835 670 002BG	Nut-Hex-Jam 7/16-20LH (Bag 10)
37	844 069 002BG	Nut-Stvr-Lk 7/16-14 (Bag 10)
38	949 100 002BG	Washer-59/64 X 15/32 (Bag 10)
Connecting Rod Installation		
25	809 865 245BG	Screw-Hex 3/8-16 X 1 1/2 (Bag 10)
26	840 065 002BG	Nut-Flx-Tn 3/8-16 (Bag 10)

# COUNTER BALANCE SPRING EYE REPAIR KIT



## COUNTER BALANCE SPRING EYE REPAIR KIT

### Includes:

- (1) Angle Bracket
- (1) Flat Bracket
- (2) 1/4" - 20 x 3-3/4" Hex Bolts
- (2) 1/4" - 20 Stover Lock Nuts
- (2) 3/8" - 16 Hex Jam Nuts
- (1) 3/8" - 16 x 3-1/2" Eyebolt

- Quick solution for broken spring hooks on the table torque tube
- A simple, strong and neat fix
- Installs quickly and easily - no welding or drilling
- An economical way to extend the life of equipment

**Product Code**      **612070012**

## SPRING ROLLER PIN REPAIR KIT

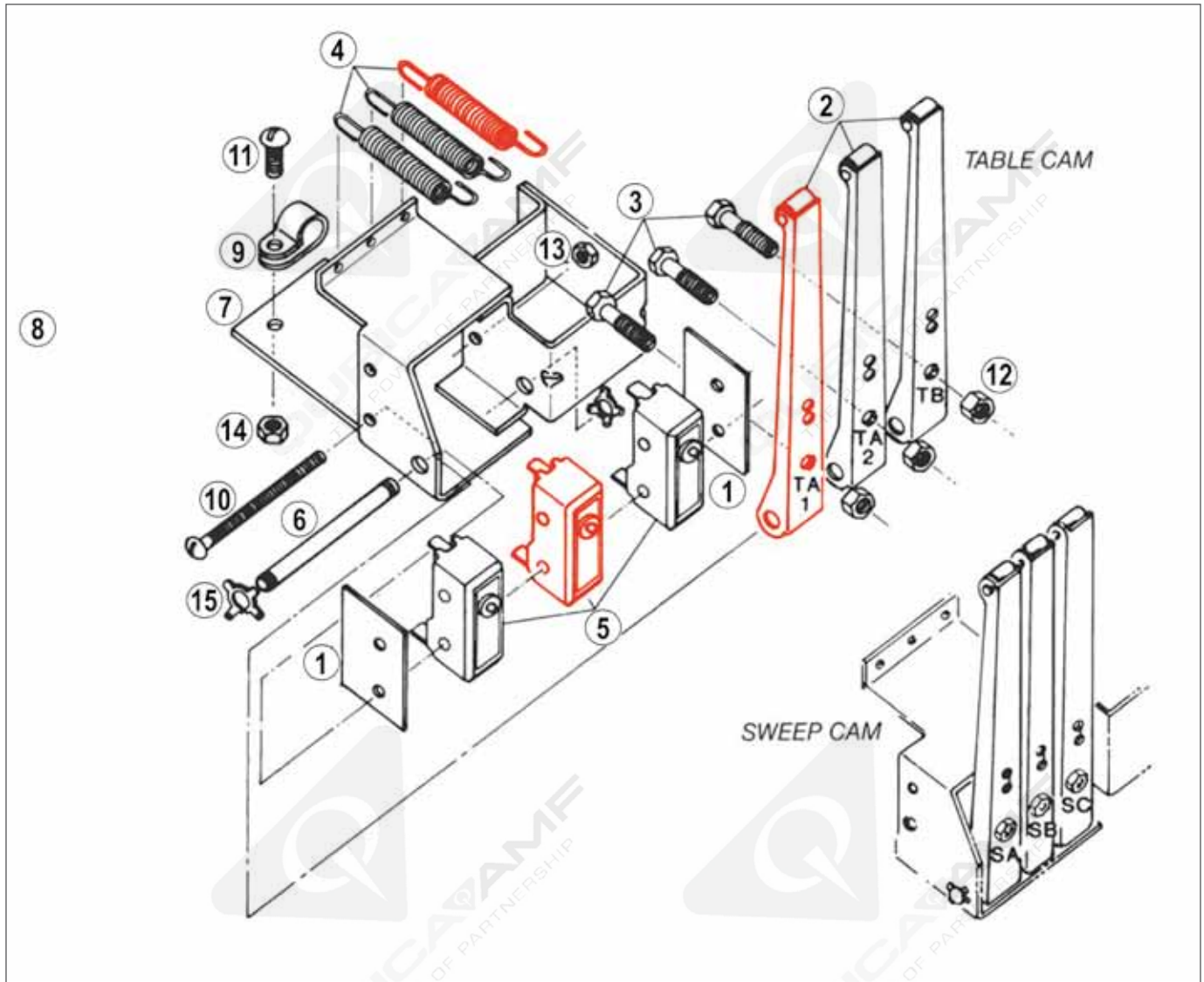


### Features:

- Use this kit if the original Stud breaks off
- Special Replacement stud with nut
- Comes with full instructions

**Product Code**      **610704103**

# SWEEP & TABLE CAM SWITCH ASSEMBLY

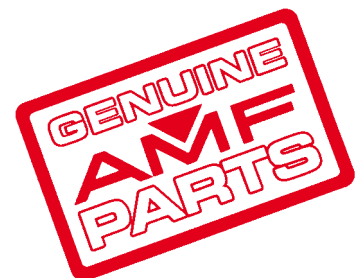


## SWEEP & TABLE CAM SWITCH ASSEMBLY

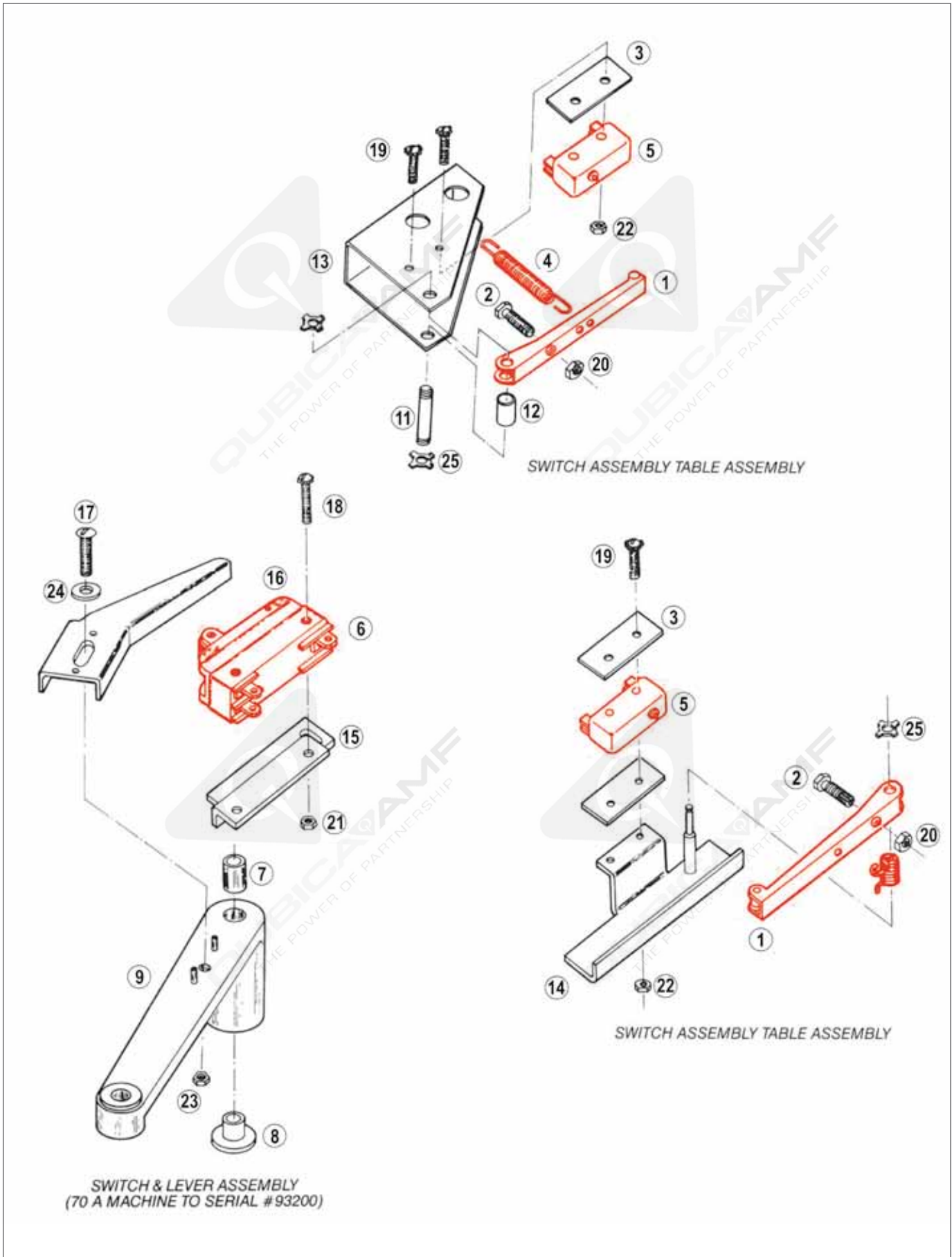
ITEM	PART NUMBER	DESCRIPTION
1	000 021 575	Insulator
2	000 021 645	Lever Assembly-Switch
3	000 021 714	Screw-Adjusting
4	000 024 657	Spring
5	000 026 042	Switch-Micro
6	000 026 401	Shaft
7	000 026 419	Housing Weldment
8	070 006 420	Cam Switch Assy

ITEM	PART NUMBER	DESCRIPTION
9	744 203 014	Clamp-Burndy Hp-6N
10	818 227 402	Screw-RH 6-32 X 2 1/2
11	818 233 082	Screw-Smrd 8-32 X 1/2
12	835 550 002	Nut-Hex-Jam 1/4-28
13	843 127 002	Nut-Kep 6-32 Wash
14	843 133 002	Nut-Kep 8-32 Wash
15	963 200 002	Washer-X 1/8 9000-8

Note: Use Gauge - 030 002 748 for starting adjustment of cams.



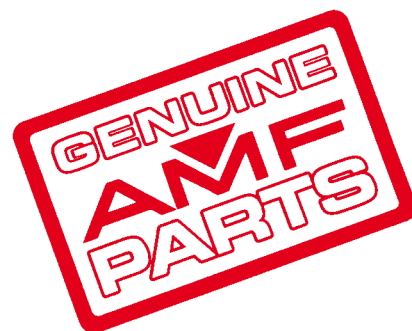
# SWITCH ASSEMBLY TABLE ASSEMBLY



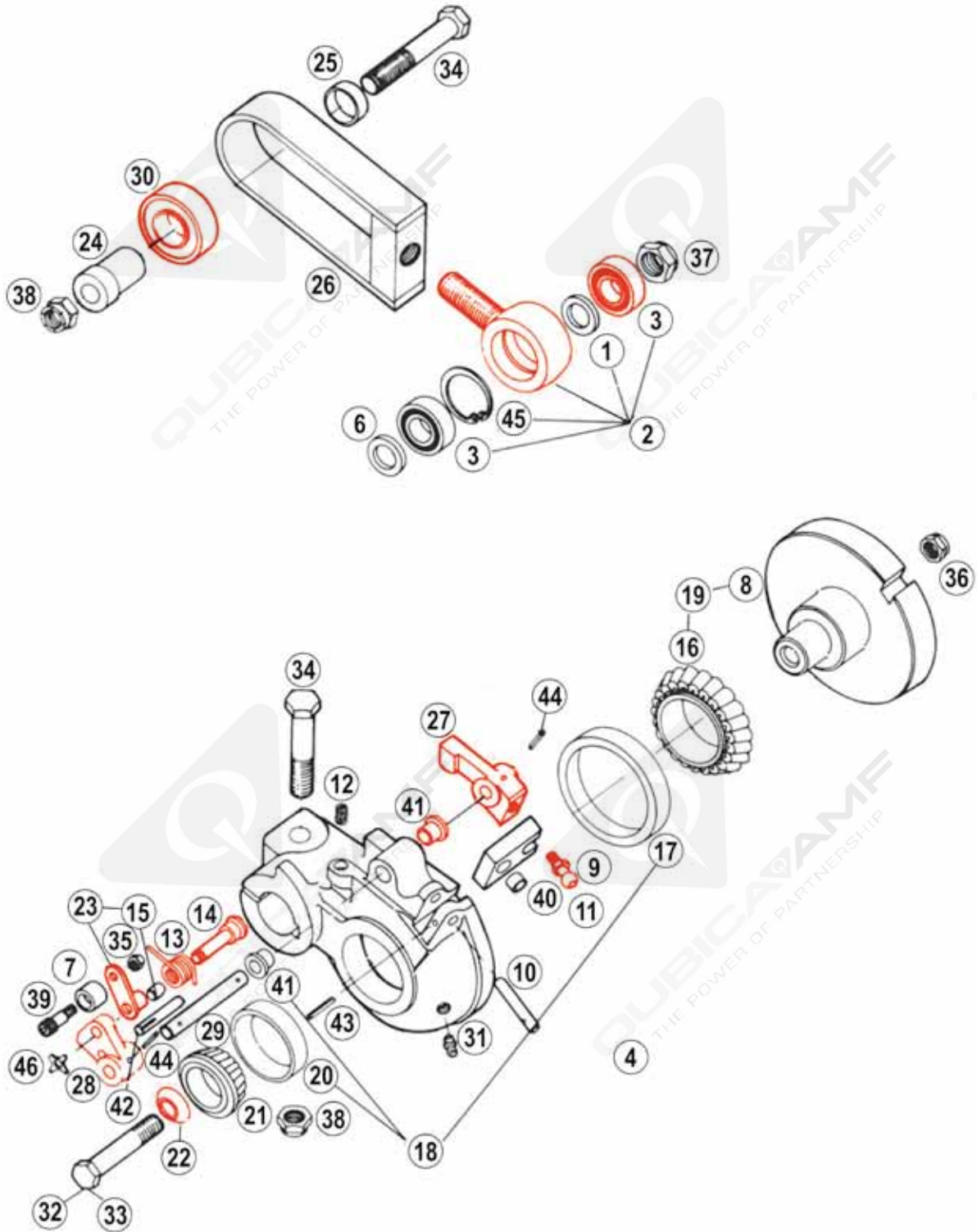
## SWITCH ASSEMBLY TABLE ASSEMBLY

ITEM	PART NUMBER	DESCRIPTION
1	000 021 645	Lever Assembly-Switch
2	000 021 714	Screw-Adjusting
3	000 022 296BG	Insulator-Switch (Bag 10)
4	000 024 657	Spring
5	000 026 042	Switch-Micro
6	000 026 247	Switch
7	070 002 652BG	Bearing Sl .252 X .315 X .5 Lg (Bag 10)
8	070 002 653BG	Bearing Fl .252 X .315 X .38 (Bag 10)
9	070 002 758	Lever & Bushing Assembly
11	070 006 693	Shaft-Switch Assembly
12	070 006 694	Spacer-Switch Assembly
13	070 006 695	Brkt-Switch Assembly
14	070 006 697	SwitchAsy - Table

ITEM	PART NUMBER	DESCRIPTION
15	070 006 697	Switch Asy - Table
16	070 006 697	Switch Asy - Table
17	808 640 141BG	Screw-Soc Lk 10-32 X 7/8 (Bag 10)
18	813 727 162	Screw 6-32 X 1.0 - Obs
19	818 227 162BG	Screw-Smrd 6-32 X 1 (Bag 10)
20	835 550 002BG	Nut-Hex-Jam 1/4-28 (Bag 10)
21	838 727 002BG	Nut-Hex-Esn 6-32 Lt (Bag 10)
22	839 527 002BG	Nut-Fix-Tk 6-32 Ht (Bag 10)
23	843 140 002BG	Nut-Kep 10-32 Wash (Bag 10)
24	948 745 082BG	Washer- 7/32 X 1/2 X 1/16 (Bag 10)
25	963 200 002BG	Washer-X 1/8 9000-8 (Bag 10)



# TABLE DRIVE ASSEMBLY

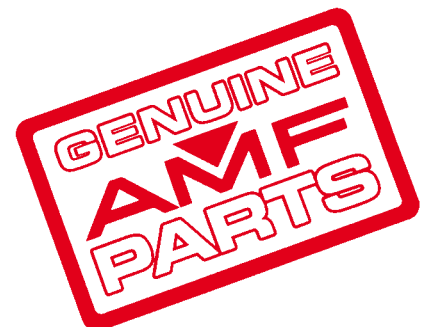


**TABLE DRIVE ASSEMBLY**

ITEM	PART NUMBER	DESCRIPTION
1	000 021 878	Spacer Rod Assembly
2	000 021 880	Rod End Assembly
3	000 021 881	Bearing Bl .625 X 1.375
4	070 001 840	Table Drive Assembly
5	070 001 844	Spring-Actuator
6	070 001 849	Washer-Special
7	070 001 857BG	Roller Nylon (Bag 2)
8	070 001 877	Eccentric Table Drive
9	070 001 893	Cam Ball Assembly
10	070 001 894	Pin-Pivot
11	070 001 898	Latch Assembly
12	070 001 917BG	Spring-Compression (Bag 5)
13	070 001 931	Spring
14	070 001 932	Pin
15	070 002 652BG	Brg Sl.252X315x.5Lg (Bag 20)
16	070 002 776	Bearing Cone RI-Tbl Drv
17	070 002 777	Cup-Roller Bearing Lg
18	070 002 778	Housing/Cup Assembly
19	070 002 779	Eccentric & Cone Asm
20	070 002 780	Cup-Roller Bearing Sm
21	070 002 824	Cone & Seal Assy
22	070 006 729	Disc Spring
23	070 007 250	Link Hub Assembly
24	070 007 310	Bearing Fl .502 X .871 X 1.20
25	070 007 311	Sleeve-Table Dr Assembly
26	070 007 755	Yoke Weldment

ITEM	PART NUMBER	DESCRIPTION
27	070 008 321	Arm-Latch
28	070 008 322	Link-Actuator Assembly
29	070 008 325	Pin-Actuator Assembly
30	190 001 490	Bearing Bl .8750 X .0875 X .5
31	710 501 004	Fittng-Almte* 1641
32	809 870 285BG	Screw-Hex 7/16-20 X 1 3/4
33	809 870 325BG	Screw-Hex 7/16-20 X 2
34	809 873 525BG	Scr-Hx 1/2-13X3 1/4 (Bag 100)
35	839 539 002BG	Nut-Fix-Tk #10-24 Ht (Bag 10)
36	840 070 002BG	Nut Flex 7/16-20 (Bag 10)
37	840 182 002BG	Nut Flx Lk 31Fk1018
38	844 073 002BG	1/2-13 Stover Locknut
39	880 139 120BG	Screw-Shld 1/4 X 3/8
40	900 104 071BG	Brg Sl Bz .253X7/16 (Bag 5)
41	900 205 053BG	Bearing Fl .315 X .44 X 5/16
42	912 137 200BG	Pin-Grv 3/16X1 1/4T3 (Bag 10)
43	913 415 120BG	Pin-Sprng.094 X 3/4 (Bag 10)
44	913 423 120BG	Pin-Sprng.125 X 3/4 (Bag 10)
45	919 000 600BG	Ring-Ret. 5000-137
46	963 300 002BG	Wshr-X 5/32 9000-10 (Bag 10)
	610 704 012	Kit For Old Style Table Drive
	610 704 133	Pin Replacement Kit-Table Drive

\* See price book for exchange and repair program.  
 Note: Lubricant for Motor: 715 021 706 OIL 82-90 MTR 12QTS TO A CASE



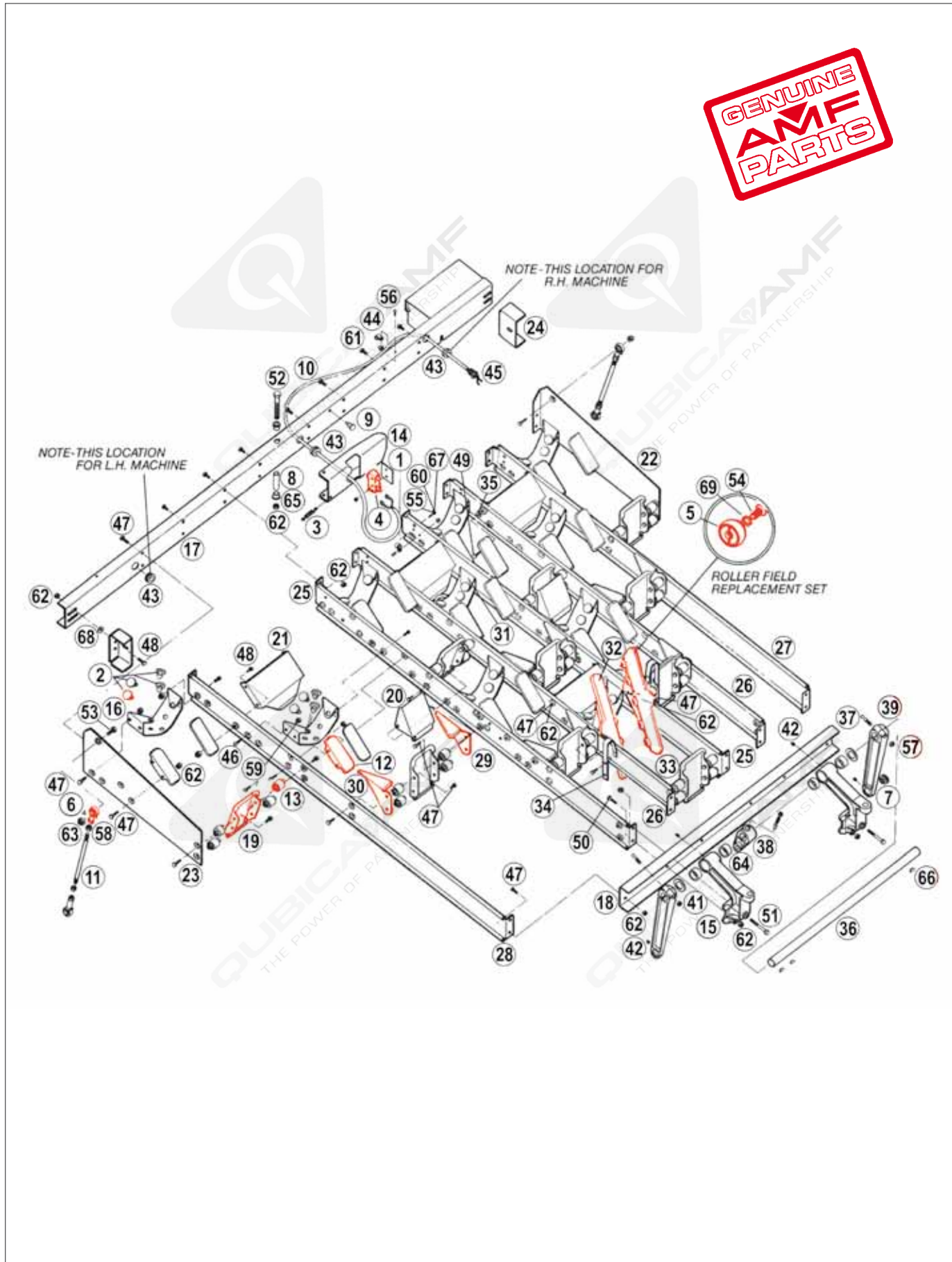
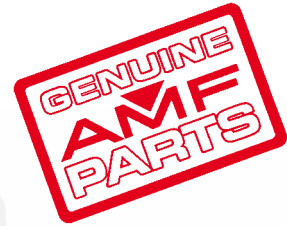






**QUBICA**  **AMF**  
**FRONT END  
BIN AND SHUTTLE**





**BIN ASSEMBLY**

ITEM	PART NUMBER	DESCRIPTION
1	000 021 575	Insulator
2	000 021 992BG	Bumper-Grommet #2250 Bag(10)
3	000 022 168	Spring Sweep Brake
4	000 026 043	Switch-Micro
5	000 026 251BG	Bearing Respot Cell (Bag 10)
6	000 026 446	Rod End
7	000 029 614	Heim Unibal
8	070 006 108	Spacer-Roller Assy-Dist
9	070 006 142BG	Bumper (Bag 10)
10	070 006 272	Switch Cable Assy
11	070 006 351	Rod-Bin Assembly
12	070 006 353	Guide-Pin-Bin Assembly
13	070 006 354BG	Shock Mount-Bin Assembly (Bag 10)
14	070 006 356	Switch Actuator-Bin
15	070 006 358	Brkt Assembly-Bin Assembly
16	070 006 359	Brkt-Bin Assembly
17	070 006 360	Channel Long Weldment
18	070 006 363	Channel-Short
19	070 006 364	Spacer-Butt Guide-Bin
20	070 006 365	Spacer-Head Guide Bin
21	070 006 366	Spacer-Guide Pin Head
22	070 006 369	Guide-Pin RH-Bin Assembly (10 Side)
23	070 006 370	Guide-Pin-LH-Bin Assembly (7 Side)
24	070 006 371	Brkt-Supt-Bin Assembly
25	070 006 372	Stringer Ctr RH
26	070 006 373	Stringer #1 Pin LH
27	070 006 376	Stringer-Outside RH (10 Side)
28	070 006 377	Stringer 4 Pin L.H. (7 Side)
29	070 006 380	Guide-Pin 4-Bin Assembly
30	070 006 381	Guide-Pin 6-Bin Assembly
31	070 006 384	Brkt-Pin 5
32	070 006 386	Track Assy LH (7 Side)
33	070 006 388	Track Assy RH (10 Side)
34	070 006 389	Guide-Pin 1
35	070 006 390	Spacer

ITEM	PART NUMBER	DESCRIPTION
36	070 006 402	Shaft-Bin Assembly
37	070 006 403	Stud-Clamp-Bin Assembly
38	070 006 408	Lever-Bin Assembly
39	070 006 429	Arm Cstg Assembly LH & RH
40	090 005 250	Rod End
41	701 329 050BG	Bearing Th .8905 X 1.5 X 1/8 (Bag 10)
42	710 501 007	Fittng-Almte 1792B
43	711 516 020	Grmt-Atl 1/2ld *2861
44	744 203 014	Clamp-Burndy Hp-6N
45	746 001 016	Cnectr-Str #3302 1/2
46	808 549 080BG	1/4-20 X 1/2 Button Hd Cap (Bag 10)
47	809 849 085	Screw-Hex 1/4-20 X 1/2
48	809 849 125	Screw-Hex 1/4-20 X 3/4
49	809 849 165BG	Screw-Hex 1/4-20 X 1 (Bag 10)
50	809 849 285BG	Screw-Hex 1/4-20 X 1 3/4 (Bag 10)
51	809 849 485BG	Scr-Hx 1/4-20X3 (Bag 10)
52	809 849 605BG	Screw-Hex 1/4-20 X 3 3/4 (Bag 10)
53	809 865 165BG	Screw-Hex 3/8-16 X 1 (Bag 10)
54	813 540 082BG	Screw-TRHd 10-32 X 1/2 Cd (Bag 10)
55	818 227 162BG	Screw-Smrd 6-32 X 1 (Bag 10)
56	818 233 082BG	Screw-Smrd 8-32 X 1/2 (Bag 10)
57	831 565 002BG	3/8-16 Hex Steel Machine Nut (Bag 10)
58	835 566 002	3/8-24 Hex Stl Thin Nut
59	840 049 002BG	Nut Flex 1/4-20 (Bag 10)
60	843 127 002BG	Nut-Kep 6-32 Wash (Bag 10)
61	843 133 002BG	Nut-Kep 8-32 Wash (Bag 10)
62	844 049 002BG	1/4-20 Lock Nut (Bag 10)
63	844 065 002BG	Nut-Stvr 3/8-16 (Bag 10)
64	900 114 101BG	Bearing Sl .877 X 1.128 X 5/8 (Bag 10)
65	900 206 091BG	Bearing Fl. (.562 X .688 X .378) (Bag 10)
66	907 000 600BG	Key-Hy Pro 706 (Bag 10)
67	948 631 062	Washer #6 Sae Flat Washer
68	948 753 102BG	Washer-9/32 X 5/8 X 1/16 (Bag 10)
69	957 100 002BG	#10 Ext Tooth Lockwasher. Pltd (Bag 10)

**BIN SHOCK MOUNT ASSEMBLY (BAG 10)**

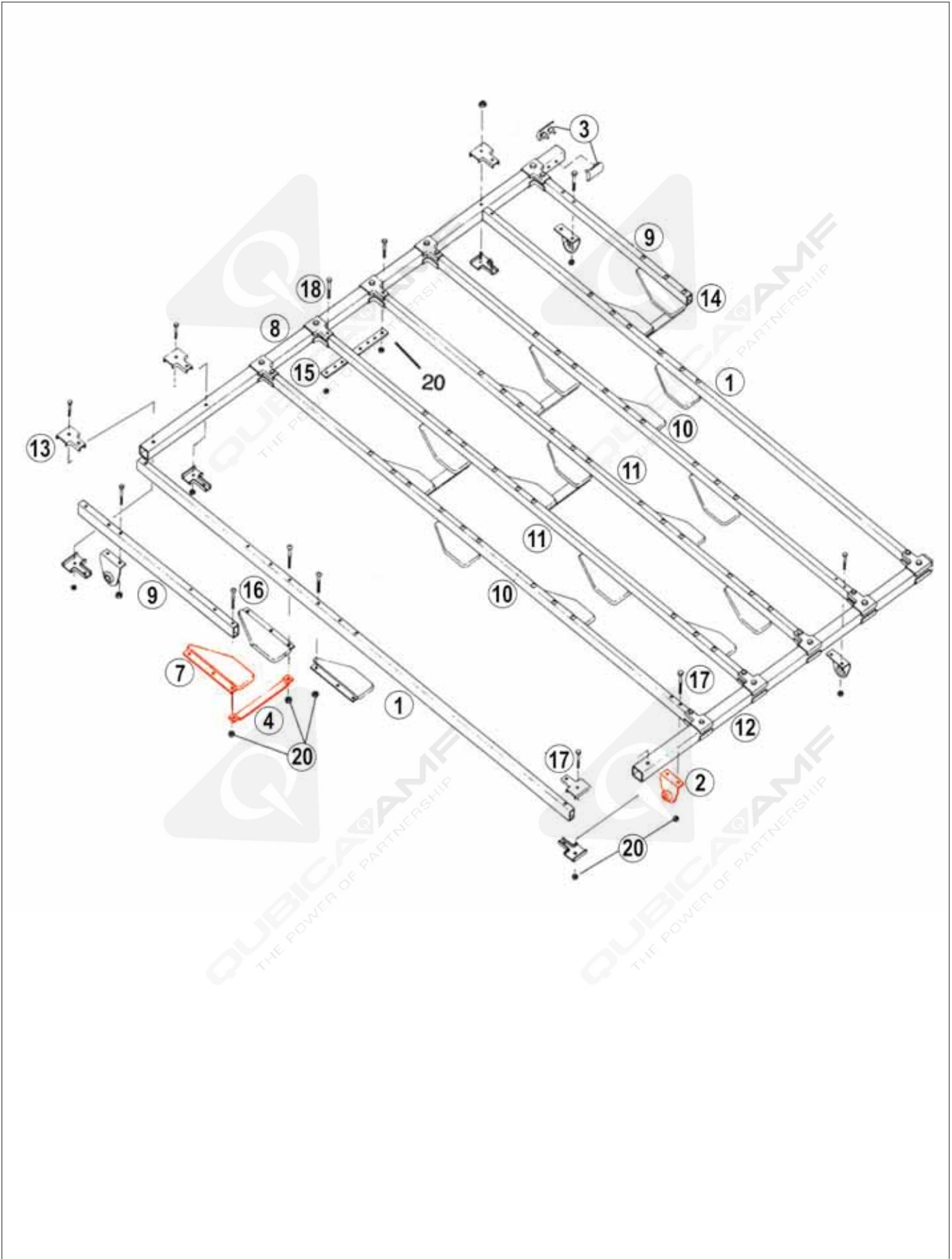


Features:

- Encapsulated inserts
- Soft rubber
- Max deflection-good absorption
- Extends life of runners and pin butts
- Nut is inside which prevents it from breaking off

**Product Code 07006354BG**

# SHUTTLE ASSEMBLY



## SHUTTLE ASSEMBLY

ITEM	PART NUMBER	DESCRIPTION
1	070 006 256	Tube-Outside-Bin
2	070 006 259	Brkt-Arm-Shuttle Assembly
3	070 006 260	Bumper-Counter-Bin
4	070 006 268	Strap Shuttle
5	070 006 390	Spacer
6	070 006 447	Spring-Shuttle Assembly
7	088 001 211	Pin Holder
8	088 500 153	Tube Cross Long
9	088 500 154	Tube Shuttle Short
10	088 500 155	Tube Long Shuttle Asm.

ITEM	PART NUMBER	DESCRIPTION
11	088 500 157	Tube Shuttle Center
12	088 500 158	Cross Tube Short Shuttle Asm.
13	088 500 161	Clamp, End, Shuttle Asm.
14	088 500 162	90 Xli Shuttle Asm Metric
15	088 500 166	Strap Spring Bin
16	808 549 240BG	Screw-Sobt 1/4-20 X 1 1/2 (Bag 10)
17	809 849 245BG	Screw-Hex 1/4-20 X 1 1/2 (Bag 10)
18	809 849 285BG	Screw-Hex 1/4-20 X 1 3/4 (Bag 10)
19	809 849 325BG	1/4-20 X 2 Cap Screw (Bag 10)
20	844 049 002BG	1/4-20 Lock Nut (Bag 10)

### SPECIAL TOOLS - SHUTTLE

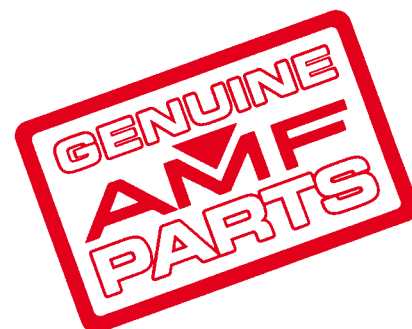
070006519	Position Gauge
792505005	Spring Puller

### SUPER SLICK PIN HOLDER

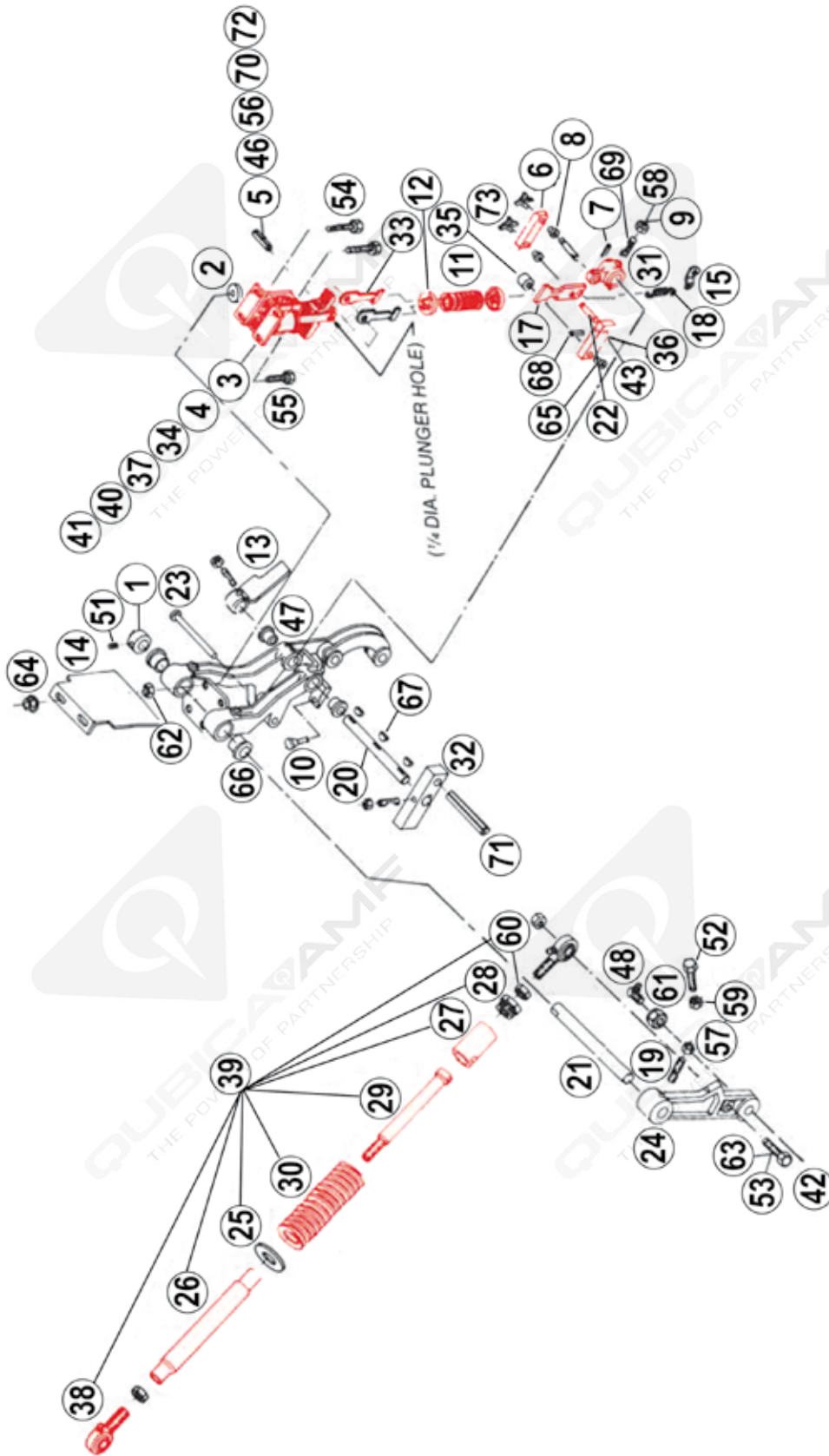
Features:

- Made of new material
- Will not stick to the pin like urethane
- Exceptional long wear

**Product Code**      **088001211**



# SHUTTLE OPERATOR & SOLENOID ASSEMBLY



## SHUTTLE OPERATOR & SOLENOID ASSEMBLY

ITEM	PART NUMBER	DESCRIPTION
1	000 021 423	Collar 5/8X1 1/8 X 1/2
2	000 021 442BG	Washer-Rubber (Bag 10)
3	000 026 027	Solenoid 60 Hz .156
4	000 027 873	Solenoid 50 Hz .156
5	000 028 391	Screw-Shoulder
6	070 001 774	Link Assembly
7	070 001 777	Pin
8	070 002 653BG	Brg Fl.252X.315X.38 (Bag 20)
9	070 006 116	Stud-Clamp
10	070 006 142BG	Bumper (Bag 10)
11	070 006 276	Spring
12	070 006 277	Washer
13	070 006 278	Lever-Cam
14	070 006 279	Guard-Solenoid
15	070 006 280	Clip-Spring-Shuttle Dr
16	070 006 281	Link-Spring .156 Hole
17	070 006 282	Link
18	070 006 283	Spring
19	070 006 284	Stud-Clamp-Shuttle Dr
20	070 006 285	Shaft-Shuttle-Drive
21	070 006 286	Shaft
22	070 006 287	Pin Long
23	070 006 289	Shaft-Shuttle Drive
24	070 006 295	Lever-Shuttle
25	070 006 296BG	Wshr-Spring-Shuttle (Bag 10)
26	070 006 297	Tube Long
27	070 006 299	Tube Short
28	070 006 302	Plug-Shuttle Rod
29	070 006 304	Rod-Shuttle
30	070 006 306	Spring-Shuttle Rod
31	070 006 307	Link Assembly-Shuttle Dr
32	070 006 484	Stop Lever Assy
33	070 006 724	Link-Spring .250 Hole
34	070 006 726	Solenoid 60 Hz .250
35	070 008 133BG	Spacer-Link Assy (Bag 2)
36	070 008 135	Link Assembly
37	090 003 739	Adapter Cable For Above
38	090 005 256	Rod-End-Distributor Support
39	090 005 263	Shuttle Rod Assy
40	090 005 723	Solenoid-Insulated
41	090 005 723	Solenoid Universal
42	610 704 002	Cam Follower Assembly

ITEM	PART NUMBER	DESCRIPTION
43	610 704 015	Kit-Link Assy
44	610 704 120	Conv Kit Dbl-Sgl Sol (Not Pictured)
45	610 704 120	Double To Single Solenoid Conversion Kit (Not Pictured)
46	700 107 170	Adhsv-Lkte 609
47	701 416 058	Bearing Fl.502X .627 X .875
48	710 501 012	Fittng-Alrnte*1911B
49	710 502 010	Rod-End-Distributor Support
50	710 502 010	Fittng-Heim*Lu640
51	807 357 040BG	Screw-Stso5/16-18 X 1/4K (Bag 10)
52	809 865 165BG	Screw-Hex 3/8-16 X 1 (Bag 10)
53	809 865 205BG	Screw-Hex 3/8-16 X 1 1/4 (Bag 10)
54	813 933 162BG	Screw Hd 8-32 X 1.0 - OBS (Bag 10)
55	814 333 122BG	Scr-Hx 8-32X3/4 (Bag 10)
56	834 527 002BG	Nut-Hex 6-32 Cd (Bag 10)
57	834 557 002BG	Nut Hex 5/16-18 (Bag 10)
58	835 549 002BG	1/4-20 Jam Nut (Bag 10)
59	835 565 002	3/8 X 16 Hex Nut - Thin
60	835 566 002	3/8-24 Hex Sll Thin Nut
61	835 570 002BG	Nut-Hex-Jam 7/16-20Hy (Bag 10)
62	839 533 002BG	8-32 Lock Nut
63	840 065 002BG	Nut-Fix-Tn 3/8-16 (Bag 10)
64	843 133 002BG	Nut-Keq 8-32 Wash (Bag 10)
65	900 204 121BG	Brg Fl.25X.378X3/4Lg (Bag 5)
66	900 210 161BG	Brg Fl Bz .628 X 1 (Bag 5)
67	907 000 200BG	Key-Hy Pro* 404 (Bag 10)
68	913 415 100BG	Pin-Sprmg .094 X 5/8 (Bag 10)
69	913 415 100BG	Pin-Sprmg .094 X 5/8 (Bag 10)
70	913 448 120BG	Pin-Sprmg.250 X 3/4 (Bag 10)
71	913 464 400BG	Pin-Sprmg .375 X 2 1/2 (Bag 10)
72	957 000 002	#6 Ext Star Lockwasher
73	963 200 002BG	Wshr-X 1/8 9000-8 (Bag 10)





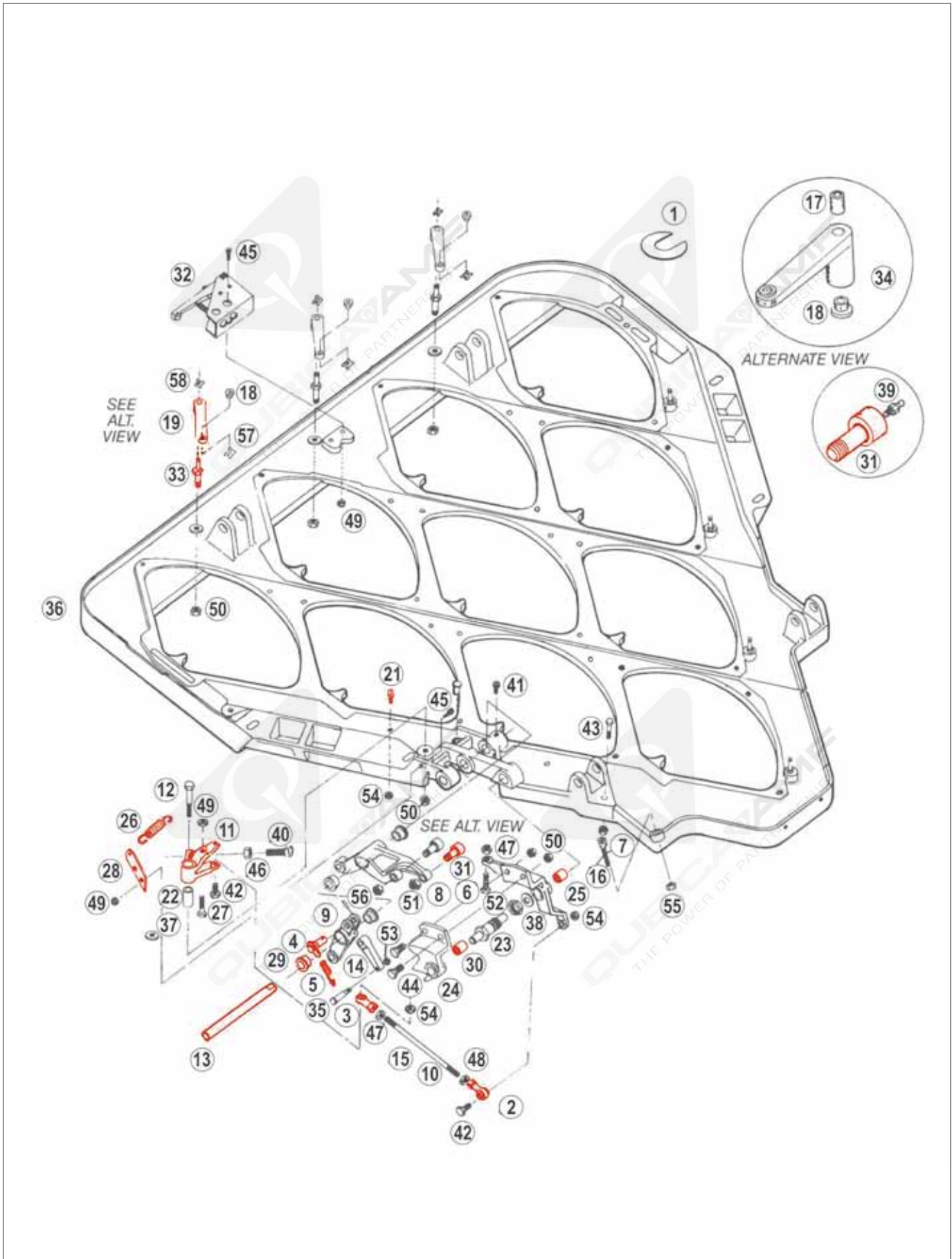


QUBICA  AMF

**FRONT END  
TABLE**



# TABLE ASSEMBLY



**TABLE ASSEMBLY**

ITEM	PART NUMBER	DESCRIPTION
1	000 021 784	Washer Slotted
2	000 022 737	Rod End LH
3	000 022 738	Rod End RH
4	070 001 804	Pivot Weld Respot
5	070 001 807	Spring Respot Finger
6	070 001 871	Screw-Hex Hd Cam Link
7	070 002 577	Stud Spring Yoke Asy
8	070 002 578	Lever Asy Spot
9	070 002 579	Lever Asy Finger
10	070 002 581	Tie Rod
11	070 002 583	Link Asy Actuating
12	070 002 584	Pin Bell Crank
13	070 002 585	Shaft Lever Tbl Asy
14	070 002 590	Finger Link
15	070 002 594	Tie Rod Asy
16	070 002 596	Spring (Not Shown)
17	070 002 652BG	Bearing SI .252 X .315 X .5Lg (Bag 20)
18	070 002 653BG	Bearing FI .252 X .315 X .38 (Bag 20)
19	070 002 680	Lever Respot Asy
20	070 002 681BG	Pin Rspt Lever Pivot (Bag 10)
21	070 002 702	Stop Respot
22	070 002 715	Bearing SI .502 X .689 X 1.5
23	070 002 726	Shaft Tbl Asy
24	070 002 727	Link & Bearing Asy
25	070 002 728	Cam Link Bearing Asy
26	070 002 732BG	Spring (Bag 2)
27	070 002 733	Screw Cam Link Table
28	070 002 734	Brkt Spring Cam Link
29	070 002 745BG	Bearing FI .626 X .814 X 1/2
30	070 002 781	Bearing Needle

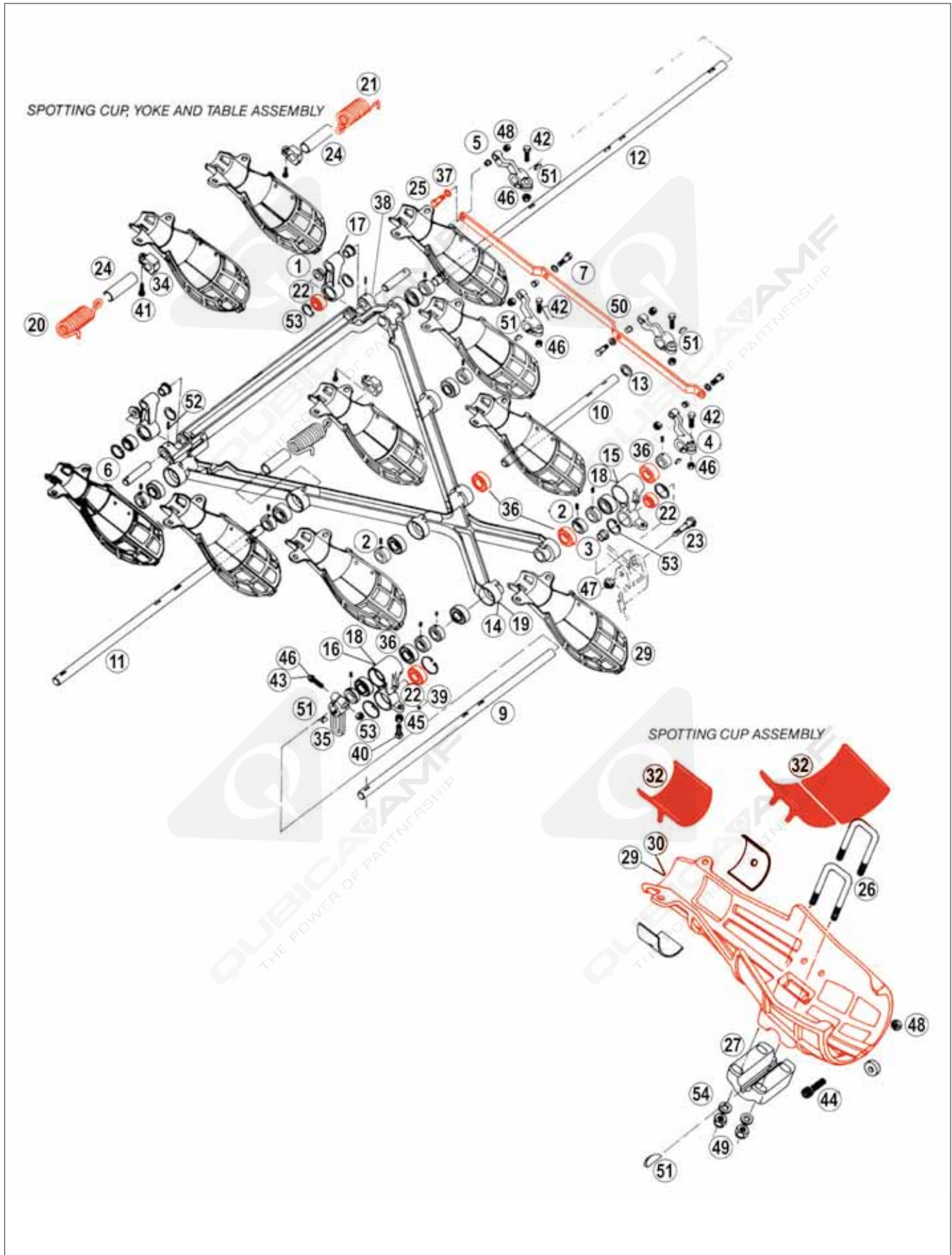
ITEM	PART NUMBER	DESCRIPTION
31	070 002 816	Cam Follower
32	070 006 697	Switch Assy Table
33	070 007 616BG	Pin-Pivot 5/16 Dia (Bag 10)
34	070 007 622	Lever Respot Asy
35	090 005 629	Pin
37	701 316 041BG	Brg Th.5100X 1 X1/16 Bag(10)
38	701 320 046	Bearing Th .628 X 1 X 1/16
39	710 501 009	Fitting
40	806 749 160	Scr Sqhd Set1/4-20X1
41	807 357 060BG	Screw Stso 5/16-18 X 3 (Bag 10)
42	809 849 165BG	Screw-Hex 1/4-20 X 1 (Bag 10)
43	809 865 125BG	Screw-Hex 3/8-16 X 3/4 (Bag 10)
44	809 865 205BG	Screw Hex 3/8-16X1 1/4 (Bag 10)
45	810 239 120BG	Screw-Soc 10-24 X 3/4 (Bag 10)
46	835 549 002BG	1/4-20 Jam Nut (Bag 10)
47	835 550 002BG	Nut Hex Jam 1/4-28 (Bag 10)
48	835 650 002BG	Nut Hex Jam 1/4-25 LH (Bag 10)
49	839 539 002BG	Nut-Flx-Tk (Bag 10)
50	839 665 002BG	Nut-Flx 3/8-16 (Bag 10)
51	840 066 002BG	Nut-Flx-Tn 3/8-24 (Bag 10)
52	840 600 002BG	Nut Flx Link 7/8 X 14 (Bag 10)
53	843 140 002BG	Nut-Kep 10-32 Wash (Bag 10)
54	844 049 002BG	1/4-20 Lock Nut (Bag 10)
55	844 057 002BG	5/16-18 Stover Locknut (Bag 10)
56	913 423 160BG	Pin Spring .125 X 1 (Bag 10)
57	963 200 002BG	Washer-X 1/8 (Bag 10)
58	963 400 002BG	Washer-X 3/16 (Bag 10)

**SPECIAL TOOLS - TABLE**

030 003 943	Motor Crank
070 006 519	Rs/Cup/Spot Height Gauge
070 006 587	Table Flag Locating Tool
088 001 216	Frame/Sweep/Dist Gauge
088 001 217	Yoke Toe Gauge
792 020 044	Combination Square
792 505 005	Spring Puller



# YOKE & SPOTTING CUP ASSEMBLY



## YOKE & SPOTTING CUP ASSEMBLY

ITEM	PART NUMBER	DESCRIPTION
1	000 023 114BG	Brg Fl .628 X .8155 X .06 (Bag 10)
2	000 025 549	Collar 7/8 X 1 1/2 X 9/16
3	070 002 573	Spacer Leg Yoke
4	070 002 602	Lever Inner Yoke
5	070 002 603	Lever Outer Yoke
6	070 002 609	Pin Lever Rear Yoke
7	070 002 612	Tie Link Asm
8	070 002 612	Tie Link Asm
9	070 002 615	Shaft-1 Yoke Assembly
10	070 002 616	Shaft-2 Yoke Assembly
11	070 002 617	Shaft-3 Yoke Assembly
12	070 002 618	Shaft-4 Yoke Assembly
13	070 002 620	Spacer Yoke Assembly
14	070 002 623	Yoke & Bearing Assy
15	070 002 663	Leg Assembly-Front RH
16	070 002 664	Leg Assembly-Front LH
17	070 002 665	Leg Assembly-Rear With Bushings
18	070 002 667	Leg-Front-Table
19	070 002 683	Yoke
20	070 002 688	Spring RH (10 Side)
21	070 002 689	Spring LH (7 Side)
22	070 002 698	Bearing Sr .625 X 1.562 X 7/8
23	070 002 701	Pin Yoke Legs
24	070 002 719	Sleeve-Spring-Yoke
25	070 002 723BG	Pin Actuator Shaft (Bag 10)
26	070 002 787BG	Bit-U-Spotting Cup (Bag 2)
27	070 002 788	Cap-Spotting Cup

ITEM	PART NUMBER	DESCRIPTION
29	070 002 808	Spotting Cup Assembly
30	070 002 809	Spotting Cup
31	070 011 814	Spotting Cup Lexan
32	088 005 505	Stick N Slick Cup Liner
33	090 002 024	Liner-Black
34	090 004 033	Spring Retainer
35	090 005 554	Actuator Arm
36	190 001 490	Bearing Bl .8750 X 1.875 X .5
37	701 310 036BG	Bearing Th .315 X .75 X 1/16 (Bag 10)
39	724 517 107	Ring-Comp-Tinn .315
40	806 265 240BG	Screw-Stsq 3/8-16 X 1 1/2 (Bag 10)
41	809 849 165BG	Screw-Hex 1/4-20 X 1 (Bag 10)
42	809 865 245BG	Screw-Hex 3/8-16 X 1 1/2 (Bag 10)
43	809 865 365BG	3/8-16 X 2-1/4 Hex Head Screw (Bag 10)
44	810 249 200BG	Screw-Soc 1/4-20 X 1 1/4 (Bag 10)
45	835 565 002	3/8 X 16 Hex Nut - Thin
46	839 665 002BG	Nut-Flx 3/8-16 (Bag 10)
47	840 381 002BG	Nut-Flx-Tk 5/8-11 (Bag 10)
48	844 049 002BG	1/4-20 Lock Nut (Bag 10)
49	844 057 002BG	5/16-18 Stover Locknut (Bag 10)
50	900 205 053BG	Bearing Fl .315 X .44 X 5/16 (Bag 10)
51	907 000 600BG	Key-Hy Pro 706 (Bag 10)
52	913 437 240BG	Pin-Sprng .187 X 1 1/2 (Bag 10)
53	919 000 700BG	Retaining Ring (Bag 10)
54	948 761 112BG	5/16 Wrought Washer (Bag 10)

\* Not required on new spotting cup assemblies.

## PIN FORK



- The “can’t live without” tool for respotting pins and clearing deadwood from the back.
- Always drop the sweep and turn off the machine before handing pins on the deck.

**Product Code B158100**

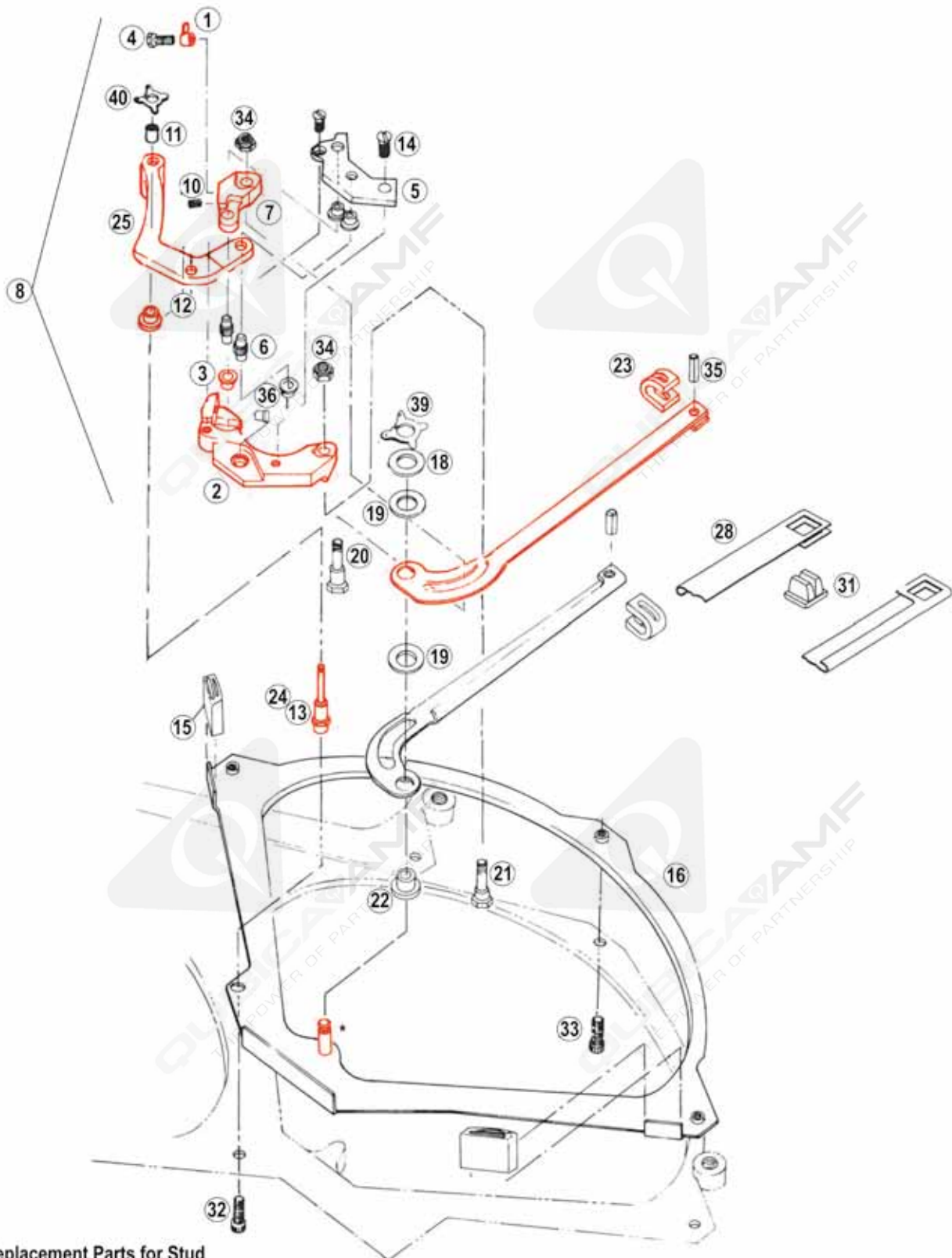
## YOKE REPAIR KIT



- Quick, temporary repair of broken yoke assembly
- Requires drilling

**Product Code 610704011**

# CELL ASSEMBLY - RESPOT



\*Replacement Parts for Stud  
070 002 650 Stud  
840 049 002 Nut

070 007 200 RESPOT CELL ASSEMBLY

CELL ASSEMBLY - RESPOT

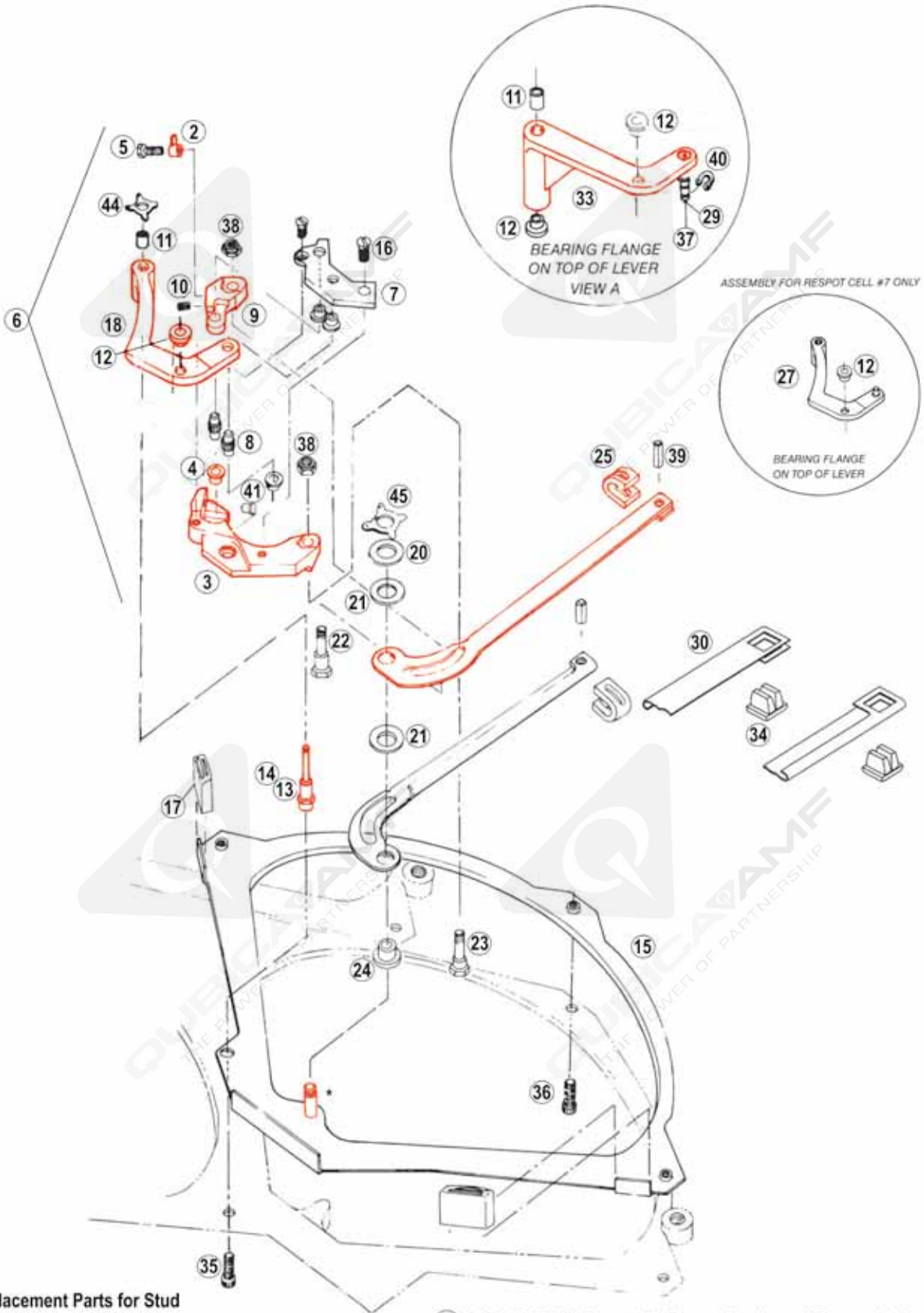
ITEM	PART NUMBER	DESCRIPTION
1	070 002 570BG	Insert Yoke Arm (Bag 5)
2	070 002 629	Yoke Respot Asm
3	070 002 630BG	Bearing Fl .252 X .315 X .218 (Bag 20)
4	070 002 632BG	Scr-Adj-Respote Cell (Bag 10)
5	070 002 644	Plate Yoke Assembly
6	070 002 645	Shaft-Lever Assy-Respote
7	070 002 646	Arm Respot Yoke Assembly
8	070 002 647	Yoke Respot Assembly
9	070 002 647	Yoke Respot Assy
10	070 002 649BG	Spring (Bag 10)
11	070 002 652BG	Sleeve Bushing (Bag 10)
12	070 002 653BG	Bearing Fl .252 X .315 X .38 (Bag 20)
13	070 002 654BG	Pivot Shaft 1/4 (Bag 10)
14	070 002 750BG	Screw-Fl Hd-Respote & Yoke (Bag 10)
15	070 002 752BG	Bumper Extrusion (Bag 2)
16	070 002 792	Frame Respot Weld
17	070 006 674	Cell Assembly #7 (New Style)
18	070 007 192BG	Washer-Respote Cell Assembly (Bag 10)
19	070 007 193BG	Spacer-Respote Cell (Bag 5)
20	070 007 194BG	Stud-Long-Respote Cell (Bag 5)
21	070 007 195BG	Stud-Short-Respote Cell (Bag 5)
22	070 007 196BG	Bearing Fl .252 X .485 X .560 (Bag 10)

ITEM	PART NUMBER	DESCRIPTION
23	070 007 197BG	Insert-Respote-Plastic/Round Hole (Bag10)
24	070 007 617BG	Stud-Pivot 5/16 (Bag 10)
25	070 007 618	Lever Respot Assembly 9 Cell
26	070 007 620	Lever Assembly #7 Cell Only
27	070 007 651BG	Nylon Washer - Top (Bag 10)
28	090 004 123	Respote Finger With Insert
29	090 004 123	Respote Finger Assembly
30	610 704 001	Respote Cell Fgr Kit (Not Shown)
31	792 506 033	Insert-Respote/ Square Hole
32	808 640 121BG	Screw Soc Lk 10-32 X 3/4 (Bag 10)
33	808 640 141BG	Screw-Soc Lk 10-32 X 7/8 (Bag 10)
34	844 049 002BG	1/4-20 Lock Nut (Bag 10)
35	913 437 100BG	Pin-Sprng .187 X 5/8 (Bag 10)
36	933 623 050	Rvt-Semi Tublr Stl
37	948 975 172BG	Spacer Steel (Bag 10)
38	951 138 000BG	Wshr-Lk-Split # 10 (Bag 10)
39	963 200 002BG	Washer-X 1/8 9000-8 (Bag 10)
40	963 400 002BG	Washer-X 3/16 9000-12 (Bag 10)

\* Item 1 is new style finger with square holes. Old style finger with round holes is no longer available.  
 \*\* With Item 8, no bushings used in boss of Item 19.  
 With Item 8a, bushings are used in boss of Item 19. 070002652BG BRG SL.252X315X.5LG (Bag 20).



# RESPOT CELL NUMBER 7 ASSEMBLY



\*Replacement Parts for Stud  
 070 002 650 Stud  
 840 049 002 Nut

19 070 006 674 #7 Respot Cell Assembly (Long Wireway Link)  
 26 070 007 199 #7 Respot Cell Assembly (Short Wireway Link)

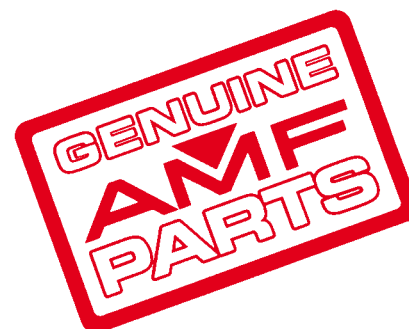


## RESPOT CELL NUMBER 7 ASSEMBLY

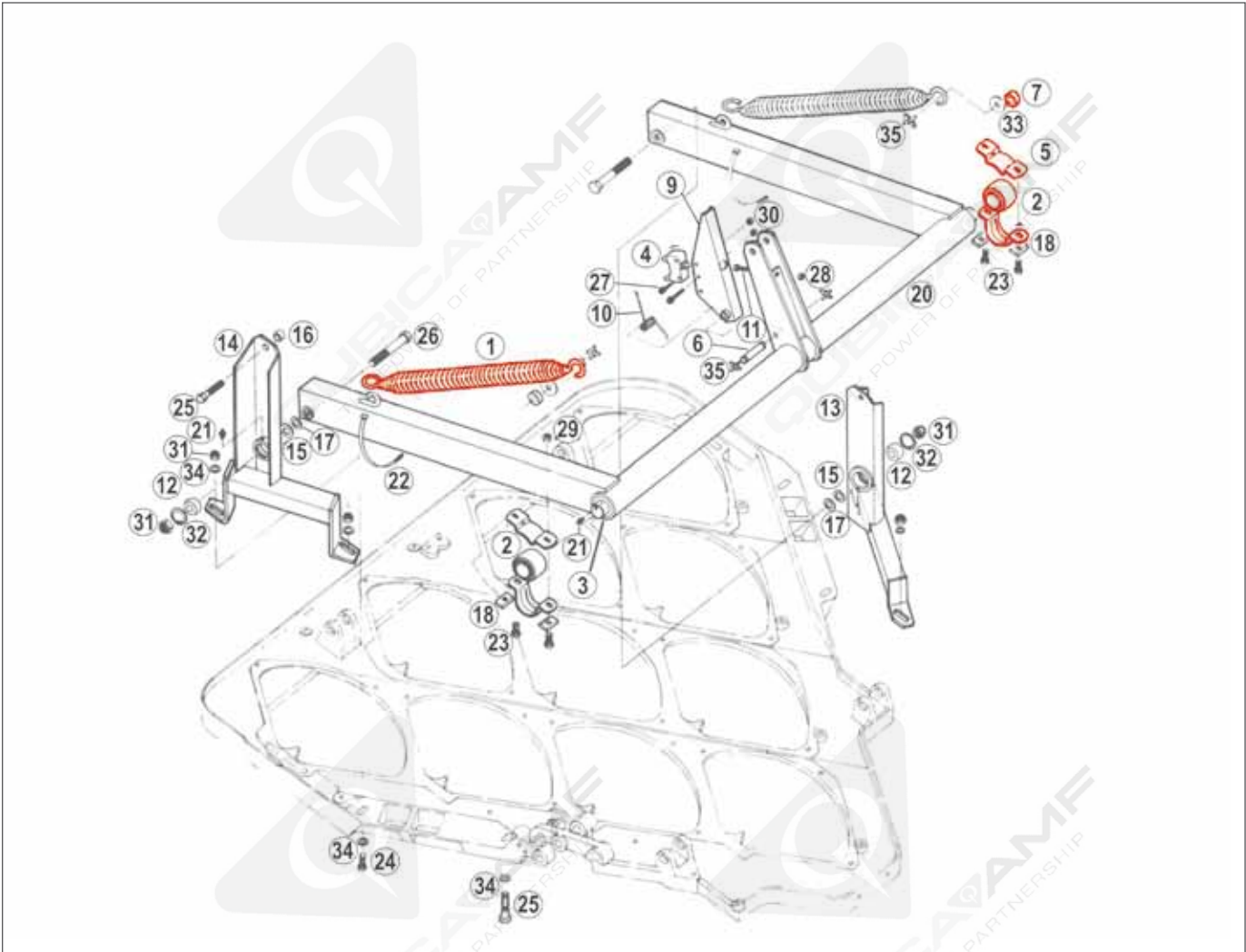
ITEM	PART NUMBER	DESCRIPTION
2	070 002 570BG	Insert Yoke Arm (Bag 5)
3	070 002 629	Yoke Respot Asm
4	070 002 630BG	Bearing Fl .252 X .315 X .218 (Bag 20)
5	070 002 632BG	Scr-Adj-Respot Cell (Bag 10)
6	070 002 642	Yoke Respot Assembly 7
7	070 002 644	Plate Yoke Assembly
8	070 002 645	Shaft-Lever Ay-Respt
9	070 002 646	Arm Res Yoke Assembly
10	070 002 649BG	Spring (Bag 10)
11	070 002 652BG	Bearing Sl .252 X .315 X .5 Lg (Bag 10)
12	070 002 653BG	Bearing Fl .252 X .315 X .38 (Bag 20)
13	070 002 654BG	Pivot Shaft 1/4 (Bag 10)
14	070 002 685BG	Shaft-Pivot 7 Cell 5/16 (Bag 10)
15	070 002 686	Frame Asm 7 Cell
16	070 002 750BG	Screw-FLHd-Respot&Yoke (Bag 10)
17	070 002 752BG	Bumper Extrusion (Bag 2)
18	070 006 673	Lever Asm #7 Cell Respot Yoke
19	070 006 674	Cell Assembly #7 (New Style)
20	070 007 192BG	Washer-Respot Cell Assembly (Bag 10)
21	070 007 193BG	Spacer - Rubber/Nylon (Bag 10)
22	070 007 194BG	Stud-Long-Respot Cell (Bag 5)
23	070 007 195BG	Stud-Short-Respot Cell (Bag 5)

ITEM	PART NUMBER	DESCRIPTION
24	070 007 196BG	Bearing Fl .252 X .485 X .560 (Bag 5)
25	070 007 197BG	Insert-Respot-Plastic/RoundHole(Bag10)
26	070 007 199	Respot Cell Assembly #7(Old Style)
27	070 007 620	Lever Assy #7 Cell
28	070 007 651BG	Nylon Washer - Top (Bag 10)
29	070 008 154	Pin-Pivot #7 Cell
30	090 004 123	Respot Finger Assembly
31	090 004 123	Respot Finger With Insert
32	610 704 001	Respot Cell Finger Kit
33	610 704 026	Kit-#7 Respot Lever Assembly
34	792 506 033	Insert-Respot/ Square Hole
35	808 640 121BG	Screw Soc Lk 10-32 X 3/4 (Bag 10)
36	808 640 141BG	Screw-Soc Lk 10-32 X 7/8 (Bag 10)
37	835 558 002BG	Nut-Hex-Jam 5/16-24 (Bag 10)
38	844 049 002BG	1/4-20 Lock Nut (Bag 10)
39	913 437 100BG	Pin-Sprng .187 X 5/8 (Bag 10)
40	919 010 200BG	Ring-Ret. 5133-25 (Bag 10)
41	933 623 050	Rvt-Semi Tublr Stl
42	948 975 172BG	Spacer Steel (Bag 10)
43	951 138 000BG	Washer-Lk-Split # 10 (Bag 10)
44	963 100 002BG	Washer-X 3/32 9000-6 (Bag 10)
45	963 200 002BG	Washer-X 1/8 9000-8 (Bag 10)

\* Item 1 is new style finger with square holes. Old style finger with round holes is no longer available.  
 With Item 8, no bushings used in boss of Item 19.  
 \*\* With Item 8a, bushings are used in Boss of Item 19. 070002652BG BRG SL.252X.315X.5LG (Bag 20).



# TABLE TORQUE TUBE ASSEMBLY



## TABLE TORQUE TUBE ASSEMBLY

ITEM	PART NUMBER	DESCRIPTION
1	000 022 782	Spring Counter Balance
2	000 022 811	Pillow Block
3	000 023 646	Shim Yoke
4	000 026 042	Switch-Micro
5	030 003 938	Strap Pillow Block
6	070 001 591	Pin-Hook Spot
7	070 001 668	Roller-Spring
9	070 001 852	Lever Table Arm
10	070 001 853	Spring
11	070 001 854	Screw-Adjusting
12	070 002 698	Bearing Sr .625 X 1 .562 X 7/8
13	070 007 295	Table Support Assy RH (10 Side)
14	070 007 296	Table Support Assy LH (7 Side)
15	070 007 302	Spacer-Front End
16	070 007 303	Spacer-Front End
17	070 007 752	Spacer
18	070 008 182	Block-Bearing
19	090 003 795	Roller-Plastic
20	610 704 003	Torq Tube Conversion Kit
21	710 501 009	Fittng-Almte*3006
22	770 011 010	Tyrap 14.19 Inch Lg

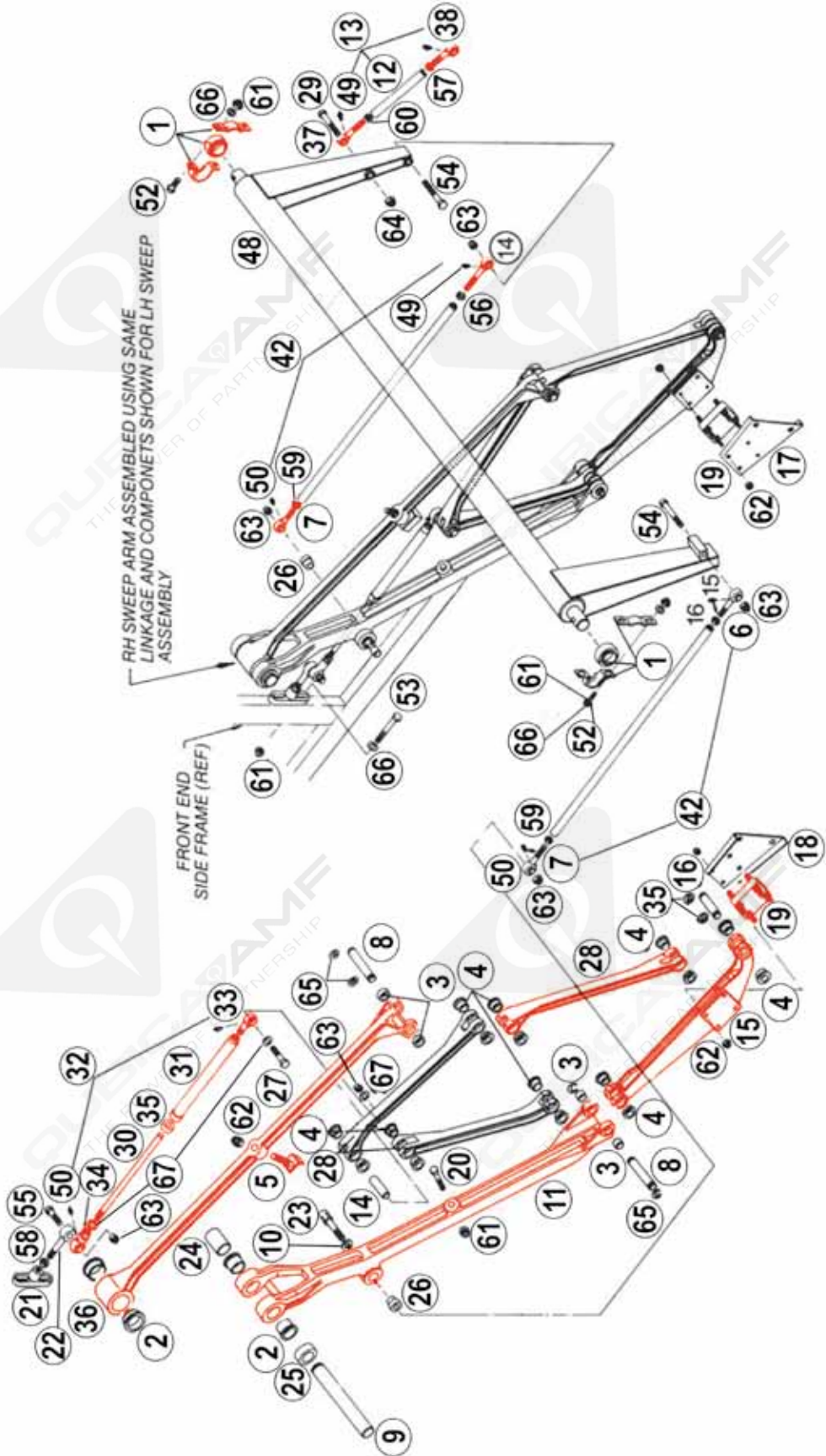
ITEM	PART NUMBER	DESCRIPTION
23	809 865 245BG	Screw-Hex 3/8-16X1 1/2 (Bag 10)
24	809 869 245BG	Screw-Hex 7/16-14X1 1/2 (Bag 10)
25	809 869 325BG	Screw-HexHdcap7/16-14X2 (Bag 10)
26	809 881 640BG	Screw-Hex Hdcap5/8-11X4 (Bag 10)
27	818 227 202BG	Screw-Smrd 6-32X1 1/4 (Bag 10)
28	839 549 002BG	Nut-Flx-Tk 1/4-20 Ht (Bag 10)
29	840 065 002BG	Nut-Flx-Tn 3/8-16 (Bag 10)
30	843 127 002BG	Nut-Kep 6-32 Wash (Bag 10)
31	844 081 002BG	Nut-Stvr-Lk 5/8-11 (Bag 10)
32	919 000 700BG	Ring - Ret (Bag 10)
33	945 867 242BG	Washer-13/32X1 1/2 (Bag 10)
34	949 100 002BG	Washer-59/64X15/32 (Bag 10)
35	963 400 002BG	Washer-X 3/16 9000-12 (Bag 10)
Not Shown	000 021 784	Pacman Washer/ Slot Washer
	090 004 007	Tube Hanger Bracket (82-90 Style)
	090 005 015	Bearing Torque Tube (82-90 Style)
	610 704 103	Spring Roller Pin Repair Kit
	612 070 012	Counterbalance Spring Eye Repair Kit



QUBICA  AMF

**FRONT END  
SWEEP**





**SWEEP ASSEMBLY**

ITEM	PART NUMBER	DESCRIPTION
1	000 022 811	Pillow Block
2	000 023 104	Bearing Fl 1.25 X 1.5 X .953
3	000 023 105BG	Bearing-Slv .628 X .815 X .396 (Bag 10)
4	000 023 114BG	Big Fl.628X.815X.06 (Bag 10)
5	000 023 279	Bumper-Urethane
6	000 025 004	End Fitting RH
7	000 025 005	End Fitting LH
8	070 003 103	Pin-Bearing Sweep Link
9	070 003 106	Shaft Main Pivot
10	070 003 117	Spacer Drive Link
11	070 003 158	Link-Drive Assembly-Sweep
12	070 003 159	Tube-Motor Rod
13	070 003 162	Connect Rod Assembly Mtr
14	070 003 173	Bearing Sl .438 X .624 X 2 "Lg"
15	070 003 184	Support Link Assembly Swp
16	070 003 189	Pin Bearing Sweep Link
17	070 003 190	Bkrt-Shock RH-Sweep (10 Side)
18	070 003 191	Bkrt-Shock LH-Sweep (7 Side)
19	070 003 195	Shock Mount
20	070 003 221	Screw-Sweep Link Assembly
21	070 003 222	Bkrt-Shock Mounting
22	070 003 223	Link-Threaded-Sweep
23	070 003 231	Pin Bearing
24	070 003 232	Spacer Main Pivot Long
25	070 003 233	Spacer Sweep Link LH
26	070 003 234BG	Bearing Fl .437 X .75 X .62 Lg (Bag 10)
27	070 003 235	Screw Sweep Lk 7/16-14
28	070 003 242	Sweep Link Cast
29	070 003 245	Screw Rock Arm Sweep Lk
30	070 007 276	Rod Link Assembly
31	070 007 278	Tube Weld Link Assy
32	070 007 280	Sweep Link Assembly Teles
33	070 007 281	Rod End Link Assembly

ITEM	PART NUMBER	DESCRIPTION
34	070 007 282	Rod End Link Assembly
35	070 007 283	Bumper Link Assembly
36	088 000 093	Sweep Link Stabilizer
37	088 001 351	End Fitting - LH
38	088 001 352	End Fitting - RH
39	090 004 007	Tube Hanger Bracket (82-90 Style)
40	090 004 010	Sweep Rocker Arm
41	090 005 015	Bearing Torque Tube (82-90 Style)
42	090 005 254	Dr Link Conn Rod Assy
44	090 005 257	Rod End Male
45	090 005 264	End Fitting - RH
46	090 005 265	End Fitting LH
47	090 006 136	Shock Mount- 90/8800
48	610 700 156	82/70 Sweep Rocker Arm Replacement Kit
49	710 501 013	Grease Fitting
50	710 501 013	Grease Fitting
51	804 557 731	U-Bolt 5/16-18 X 4.440
52	809 865 285	Screw-Hex 3/8-16 X 1-3/4
53	809 865 565BG	Screw-Hex 3/8-16 X 3-1/2 (Bag 10)
54	809 869 365BG	Screw-Hex 7/16-14 X 2-1/4 (Bag 10)
55	809 869 405BG	Screw-Hex 7/16-14 X 2-1/2 (Bag 10)
56	835 570 002BG	Nut-Hex-Jam 7/16-20Hy (Bag 10)
57	835 574 002BG	Nut-Hex-Jam 1/2-20 Cd (Bag 10)
58	835 582 002	5/8-18 Unf Hex Thin Nut- Pltd
59	835 670 002BG	Nut-Hex-Jam 7/16-20LH (Bag 10)
60	835 674 002BG	Nut-Hex-Jam 1/2-20 LH (Bag 10)
61	839 665 002BG	Nut-Fix 3/8-16 (Bag 10)
62	844 057 002BG	5/16-18 Stover Locknut (Bag 10)
63	844 069 002BG	Nut-Svr-Lk 7/16-14 (Bag 10)
64	844 073 002BG	1/2-13 Stover Locknut (Bag 10)
65	919 010 700BG	Ring-Ret. 5133-62 (Bag 10)
66	948 761 112BG	5/16 Wrought Washer (Bag 10)
67	949 100 002BG	Washer-59/64 X 15/32 (Bag 10)

# SWEEP ASSEMBLY – CONTINUED

## SWEEP BAR FOR 2 MACHINES



Features:

- Single piece construction, virtually unbreakable
- Lighter than old multi-piece type sweep

**Product Code**      **610700150**

## SWEEP BRACKET RH & LH



Features:

- 10 gauge steel/metal
- Redesigned cross section to 1/4" wide
- Optimizes weight to strength
- Minimizes stress on bushings, shock mounts and motor load

**Product Code**      **000023170 & 000023171**

## NEW! SWEEP BAR KIT 90 - STYLE

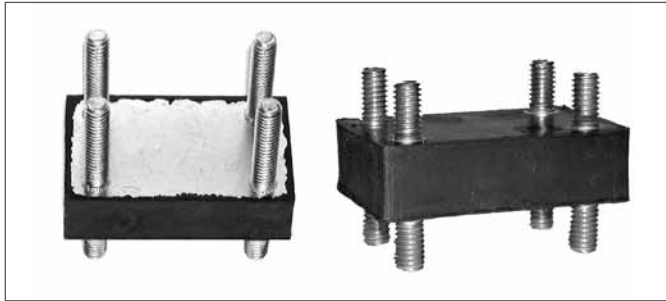
Replaces slide bars and tube-style sweep all at once.

**Product Code**      **610703060**

## SLIDE - FREE SWEEP BRACKET

**Product Code**      **090001170 & 090001171**

## SWEEP SHOCK MOUNT

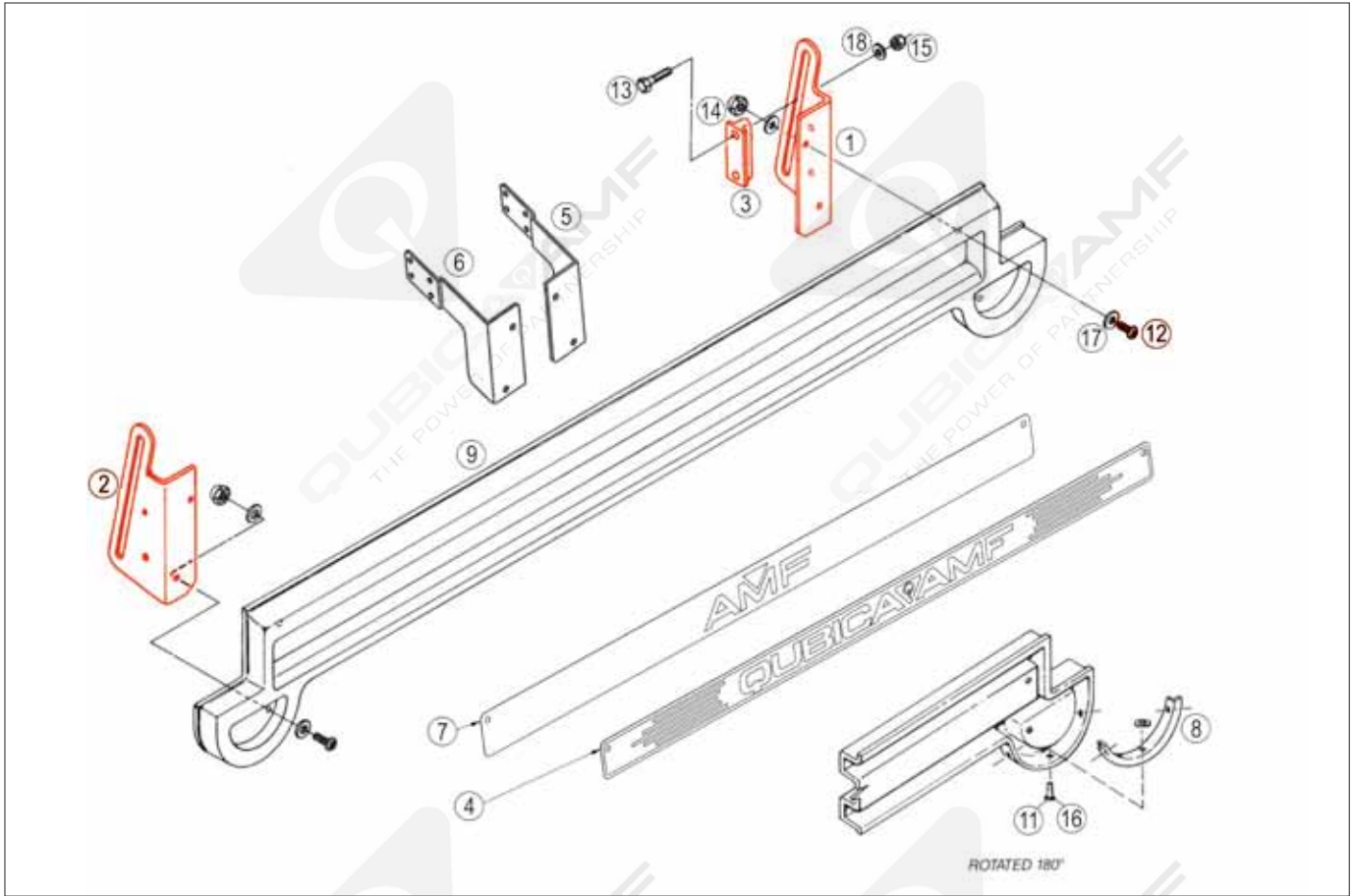


Features:

- New design prevents stud spin-out
- Flexible enough to prevent damage to the sweep links
- Rubber is inside the plate

**Product Code**      **070003195 & 090006136**

# SWEEP BAR MOUNTING ASSEMBLY



## SWEEP BAR MOUNTING ASSEMBLY

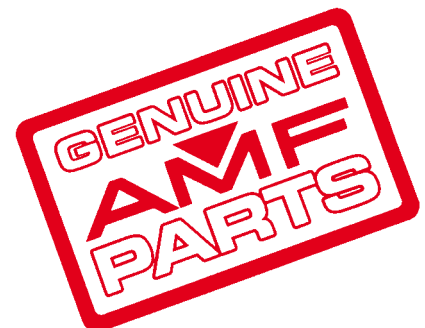
ITEM	PART NUMBER	DESCRIPTION
1	000 023 170	Steel Sweep Mtg Bracket RH (10 Side)
2	000 023 171	Steel Sweep Mtg Brkt LH (7 Side)
3	000 023 182	Slide Bar
4	088 001 089	Decal 82-90Xii Glow
5	090 001 170	Brkt-Sweep R.H. (10 Side)
6	090 001 171	Brkt-Sweep L.H. (7 Side)
7	090 006 166	Decal Amf Sweep Glow White Letters Black Background
8	300 000 175	Urethane Cap-Sweep Bar
9	300 000 182	Sweep Bar & Cap Assembly
10	610 700 150	Sweep bar Kit For Machine Pair
11	749 537 068	Washer

ITEM	PART NUMBER	DESCRIPTION
12	808 557 140BG	Screw-Sb hc 5/16-18 X 7/8 (Bag 10)
13	809 857 245BG	Screw-Hex 5/16-18 X 1 1/2 (Bag 10)
14	830 057 002BG	Nut Acorn Lok 5/16-18 (Bag 10)
15	844 057 002BG	5/16-18 Stover Locknut (Bag 10)
16	938 637 100BG	Pop Rvt 3/16 Al Dme Hd (Bag 10)
17	948 722 111BG	Washer-Pl 11/32 Bl Oxide (Bag 10)
18	948 761 112BG	5/16 Wrought Washer (Bag 10)
SPECIAL TOOLS - SWEEP		
	030 002 748	Cam Gauge
	088 001 216	Frame/Sweep/Dist Gauge

Note: When Using Part 300 000 182, Sweep Bar On Brunswick Machine, Use Brackets Part Number 233 001 309 - Bracket RH And 233 001 307 - Bracket LH.

## SPECIAL TOOLS - SWEEP

030002748	Cam Gauge
088001216	Frame/Sweep/Dist Gauge





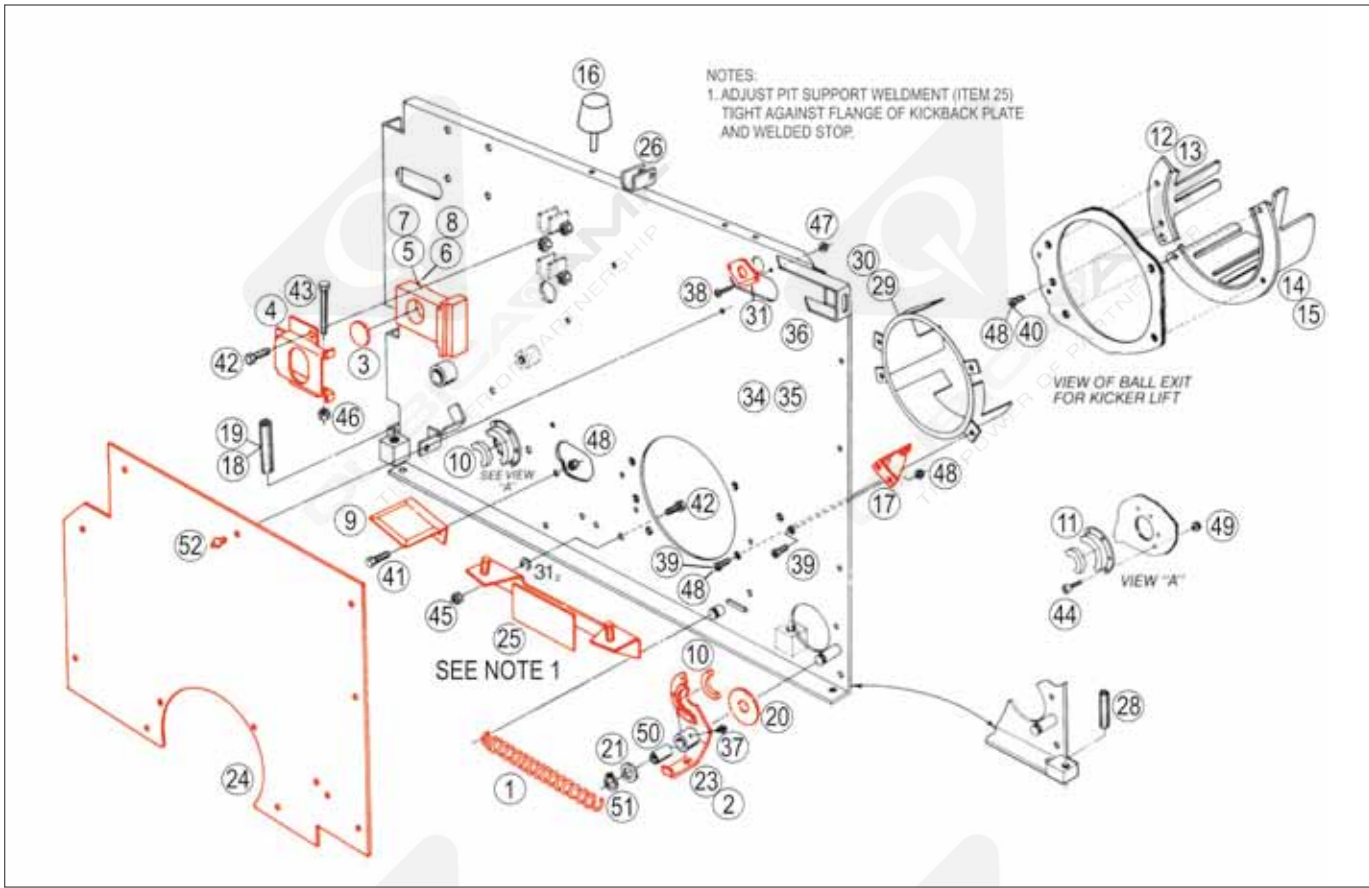




**QUBICA  AMF**  
**BACK END**



# KICKBACK ASSEMBLY

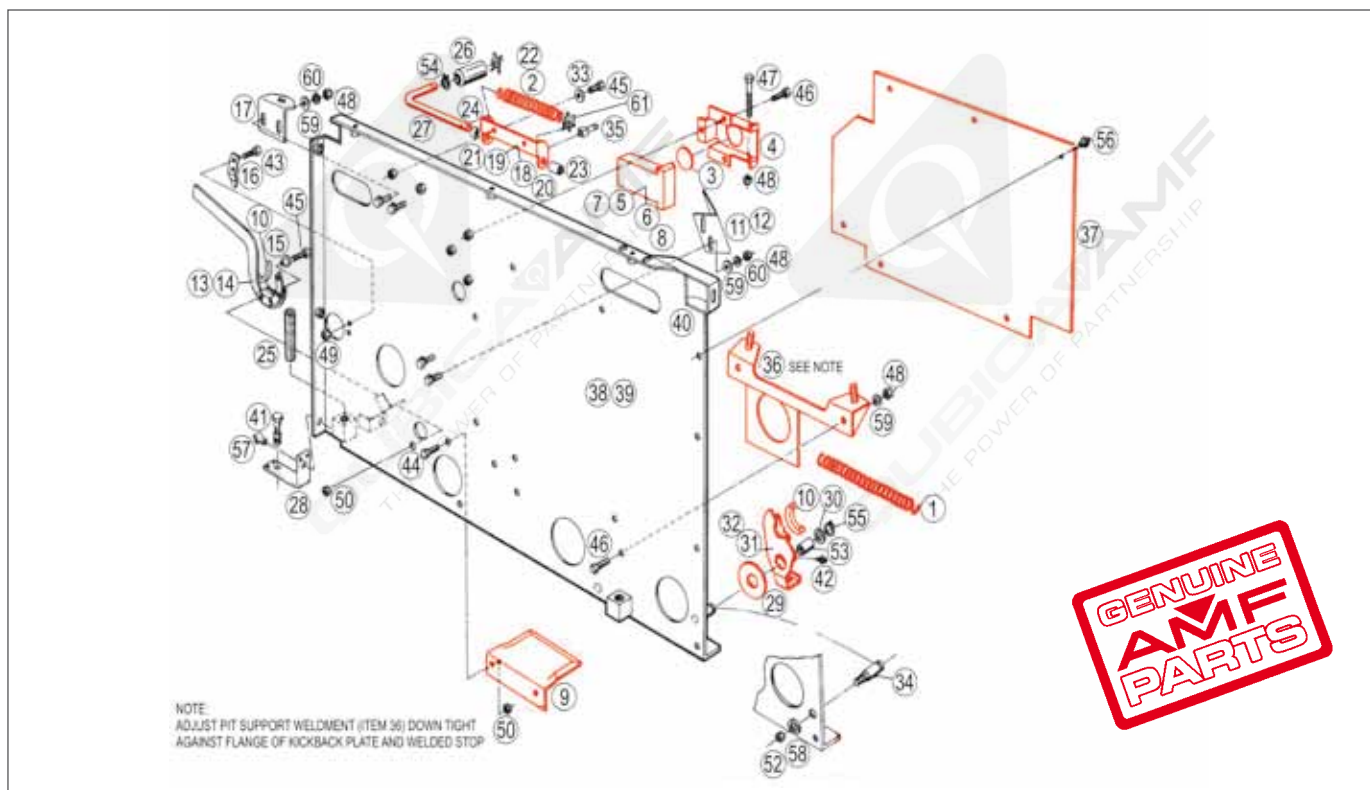


## KICKBACK ASSEMBLY

ITEM	PART NUMBER	DESCRIPTION
1	000 021 204	Spring
2	000 022 249	Brkt Assembly-LH (Even, 7 Side)
3	000 022 300	Shield
4	000 022 788	Box-Support
5	000 022 794	Block Support RH (Odd)
6	000 022 795	Block Support LH (7 Side)
7	000 022 796	Cushion Block-Urethane-RH (10 Side)
8	000 022 797	Cushion Block-Urethane-LH (7 Side)
9	000 022 878	Angle
10	000 022 924BG	Support (Bag 10)
11	000 022 926	Retainer Support
12	000 024 623	Segment-Rear LH
13	000 024 624	Segment-Rear RH
14	000 024 625	Segment-Front RH
15	000 024 626	Segment Front LH
16	000 024 641	Stop Bumper
17	000 024 668	Track Supt Brkt
18	000 024 890	Jackscrew
19	000 025 207	Jack Screw Locking Insert Long
20	000 027 641	Bearing Th .752 X 2.75 X .062
21	000 027 642	Washer
22	000 028 362BG	Bumper-Urethane (Bag 10)
23	000 029 672	Brkt Bearing Assembly RH (Odd, 10 Side)
24	030 008 660	Panel Kickback
25	070 001 450	Pit Supt Brkt Bds
26	070 004 602	Ball Lift Bracket
27	070 006 639	Washer C

ITEM	PART NUMBER	DESCRIPTION
28	070 007 722	Jackscrew 1/2-20 X 3
29	070 011 005	Door Weld LH (Even - NOT SHOWN)
30	070 011 006	Door Weld RH (Odd)
31	070 011 286	Bushing-Curtain Rod
32	070 011 641	LH Urethane Ball Door Rng (Even)
33	070 011 642	RH Urethane Ball Door Ring (Odd)
34	090 004 126	Kickplate Weldment RH/RHm (Odd)
35	090 004 129	Kickplate Weldment LH/LHm (Even)
36	610 902 026	Kickback Bracket Repair Kit
37	710 501 009	Fittng-Almte 3006
38	808 549 160BG	Scr-Sobt 1/4-20 X 1 (Bag 10)
39	808 557 120	Scr-Sofl 5/16-18 X 3/4
40	808 857 160BG	Scr-Sofl 5/16-18 X 1 (Bag 10)
41	809 857 125BG	Scr-Hx 5/16-18 X 3/4 (Bag 10)
42	809 865 205BG	Scr-Hx 3/8-16 X 1 1/4 (Bag 10)
43	809 865 645BG	Scr-Hx 3/8-16 X 4 (Bag 10)
44	810 258 100BG	Screw 5/16 - 24 X 5/8 (Bag 10)
45	839 665 002BG	Nut-Fix 3/8-16 (Bag 10)
46	840 065 002BG	Nut-Fix-Tn 3/8-16 (Bag 10)
47	844 049 002BG	Nut-Stvr-Lk 1/4-20 (Bag 10)
48	844 057 002BG	Nut Stvr Lk-5/16-18 (Bag 10)
49	844 058 002BG	Nut-Stvr-Lk 5/16-24 (Bag 10)
50	900 112 203BG	Brg Sl.753 X 1 X 1 1/4-Brnz (Bag 5)
51	919 005 800BG	Ring-Ret. 5100-75 (Bag 10)
52	937 000 000BG	Rivet Drive 1/4 X 11/32 (Bag 10)

# KICKBACK ASSEMBLY / OPPOSITE BALL EXIT SIDE

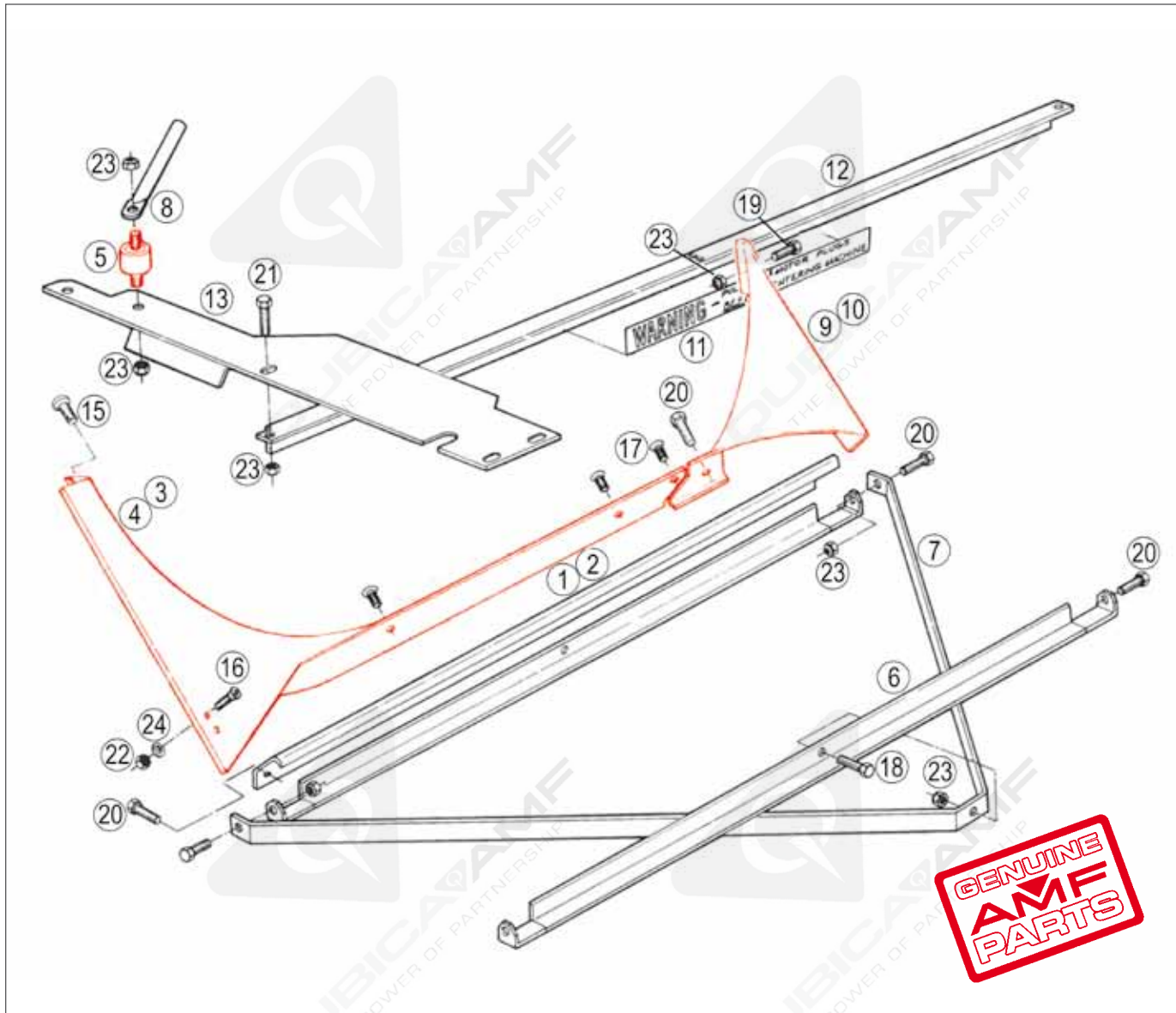


## KICKBACK ASSEMBLY / OPPOSITE BALL EXIT SIDE

ITEM	PART NUMBER	DESCRIPTION
1	000 021 204	Spring
2	000 022 288	Spring-LH (Even)
3	000 022 300	Shield
4	000 022 788	Box-Support
5	000 022 794	Block Support RH (10 Side)
6	000 022 795	Block Support LH (7 Side)
7	000 022 796	Cushion Block-Urethane RH (10 Side)
8	000 022 797	Cushion Block-Urethane LH (7 Side)
9	000 022 878	Angle
10	000 022 924BG	Support (Bag 10)
11	000 023 431	Clip Bottom RH (Odd)
12	000 023 432	Clip Bottom LH (Even)
13	000 023 464	Support Weldmnt-RH Mach LH Side (Even)
14	000 023 465	Support Weldmnt-LH Mach RH Side (Odd)
15	000 023 467	Bearing Fl .314 X .434 X .310
16	000 023 468	Bracket
17	000 023 821	Side Clip Weld
18	000 024 507	Pin Eject Assembly LH (Even)
19	000 024 508	Pin Eject Assembly RH (Odd)
20	000 024 510	Brkt Assembly-LH (Even)
21	000 024 511	Brkt Assembly-RH (Odd)
22	000 024 513	Spring-RH (Odd)
23	000 024 515	Bearing SI .44 X .56 X 3/4
24	000 024 516	Bearing SI .44 X .56 X 3/8
25	000 024 890	Jackscrow
26	000 025 803	Roller-Pin Ejector Assembly
27	000 025 804	Shaft-Pin Ejector Assembly
28	000 026 464	Bracket-Back End
29	000 027 641	Bearing Th .752 X 2.75 X .062
30	000 027 642	Washer
31	000 027 645	Brkt Supt Assembly LH (Odd, 7 Side)

ITEM	PART NUMBER	DESCRIPTION
32	000 027 646	Brkt Supt Assembly RH (Even, 10 Side)
33	000 028 334BG	Pin Ejector Washer (Bag 10)
34	000 029 015	Stud-Pivot
35	000 029 317	Stop-Pin
36	070 001 451	Pit Supt Brkt-Obds
37	070 002 027	Panel
38	090 004 127	Kickplate Weldment LH/RHm (Odd)
39	090 004 128	Kickplate Weldment RH/LHm (Even)
40	610 902 026	Kickback Bracket Repair Kit
41	709 007 037	Bit-Taper 3/8 X 2 1/4
42	710 501 009	Fittng-Almte 3006
43	809 849 125	Screw-Hex 1/4-20 X 3/4
44	809 857 125BG	Scr-Hx 5/16-18 X 3/4 (Bag 10)
45	809 857 165BG	Scr-Hx 5/16-18 X 1 (Bag 10)
46	809 865 165BG	Screw 3/8-16 X 1 (Bag 10)
47	809 865 645BG	Scr-Hx 3/8-16 X 4 (Bag 10)
48	839 665 002BG	Nut-Flx 3/8-16 (Bag 10)
49	844 049 002BG	Nut-Stvr-Lk 1/4-20 Bag(10)
50	844 057 002BG	Nut Stvr Lk-5/16-18 (Bag 10)
51	844 058 002BG	Nut-Stvr-Lk 5/16-24 (Bag 10)
52	844 074 002BG	Nut-Stvr-Lk 1/2-20 (Bag 10)
53	900 112 203BG	Brg SI .753 X 1 X 1 1/4-Brnz (Bag 5)
54	919 005 400BG	Ring-Ret. 5100-43 (Bag 10)
55	919 005 800BG	Ring-Ret. 5100-75 (Bag 10)
56	937 000 000BG	Rivet Drive 1/4 X 11/32 (Bag 10)
57	937 710 005	Aluminum Drive Rivet
58	941 072 200BG	Wshr-1/2 X 1-1/4 X .083 (Bag 10)
59	948 767 132BG	Washer Sae Flat (Bag 10)
60	951 164 002BG	Wshr-Lk-Split 3/8 (Bag 10)
61	963 600 002BG	Wshr-X 1/4 9000-16 (Bag 10)

# BACK END ASSEMBLY PARTS

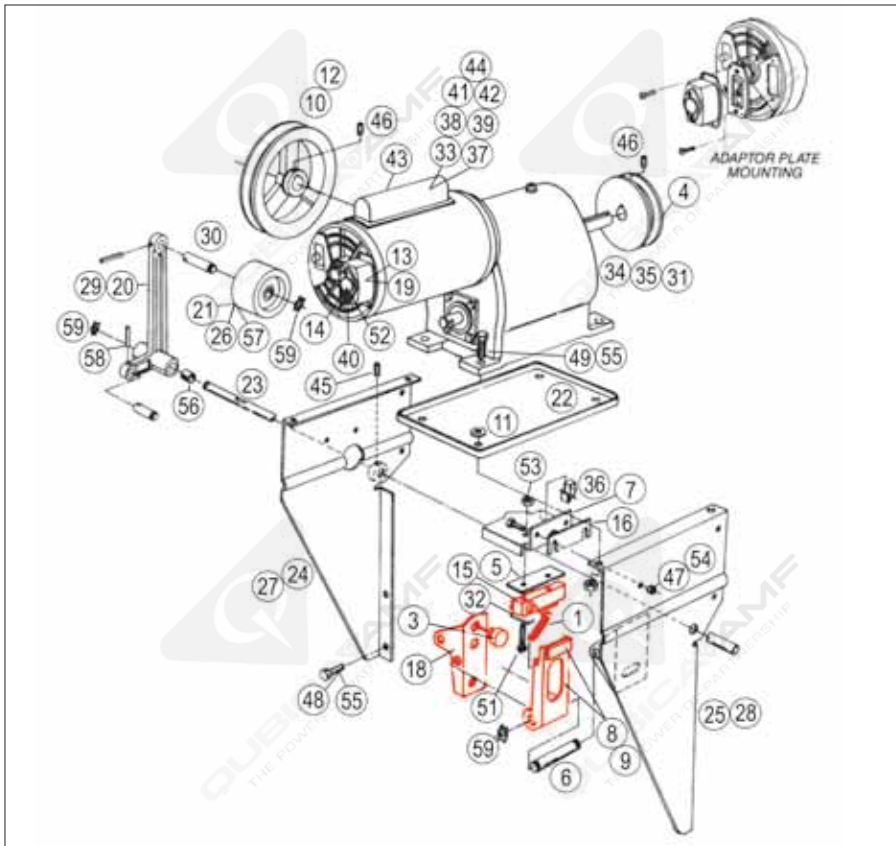


## BACK END ASSEMBLY PARTS

ITEM	PART NUMBER	DESCRIPTION
1	000 027 099	Apron & Mat Assembly RH (Odd)
2	000 027 100	Apron & Mat Assembly LH (Even) NOT SHOWN
3	000 027 368	Plow & Mat Assembly LH (Even) NOT SHOWN
4	000 027 372	Plow & Mat Assembly RH (Odd)
5	000 029 068	Rubber Mount
6	070 001 184	Strap
7	070 001 185	Brace
8	070 001 195	Pin Seating Rod
9	070 001 412	Plow & Mat Assembly Sm RH (Odd)
10	070 002 169	Plow & Mat Assembly Sm LH (Even) NOT SHOWN
11	070 005 614	Decal-Warning
12	070 007 359	Brkt-Support

ITEM	PART NUMBER	DESCRIPTION
13	088 001 120	Tread Plate Even NOT SHOWN
14	088 001 121	Tread Plate Odd
15	808 566 160BG	Screw-Sobt 3/8-24 X 1 (Bag 10)
16	808 849 120BG	Screw-Soft 1/4-20 X 3/4 (Bag 10)
17	808 858 120BG	Screw-Soft 5/16-24 X 3/4 (Bag 10)
18	808 858 240BG	Screw-Soft 5/16-24 X 1 1/2 (Bag 10)
19	809 857 125BG	Screw-Hex 5/16-18 X 3/4 (Bag 10)
20	809 857 165BG	Screw-Hex 5/16-18 X 1 (Bag 10)
21	809 857 205BG	Screw-Hex 5/16-18 X 1 1/4 (Bag 10)
22	844 049 002BG	1/4-20 Lock Nut (Bag 10)
23	844 057 002BG	5/16-18 Stover Locknut (Bag 10)
24	948 753 102BG	Washer-9/32 X 5/8 X 1/16 (Bag 10)

# MOTOR BRACKET ASSEMBLY



## NEW NATIONAL MOTOR B.E. MOTOR REPLACEMENT

Reversible rotation. Our proven Franklin motor, adapted to fit your National gearbox.

**785502258      110-220V/50HZ**  
**785502259      110V/60HZ**

## LUBRICANT FOR GEARBOXES

**715021706      Lube Oil 600W 1 Qt.**

## SOLID STATE SWITCH FOR BACK END MOTORS



**Product Code      610309046**

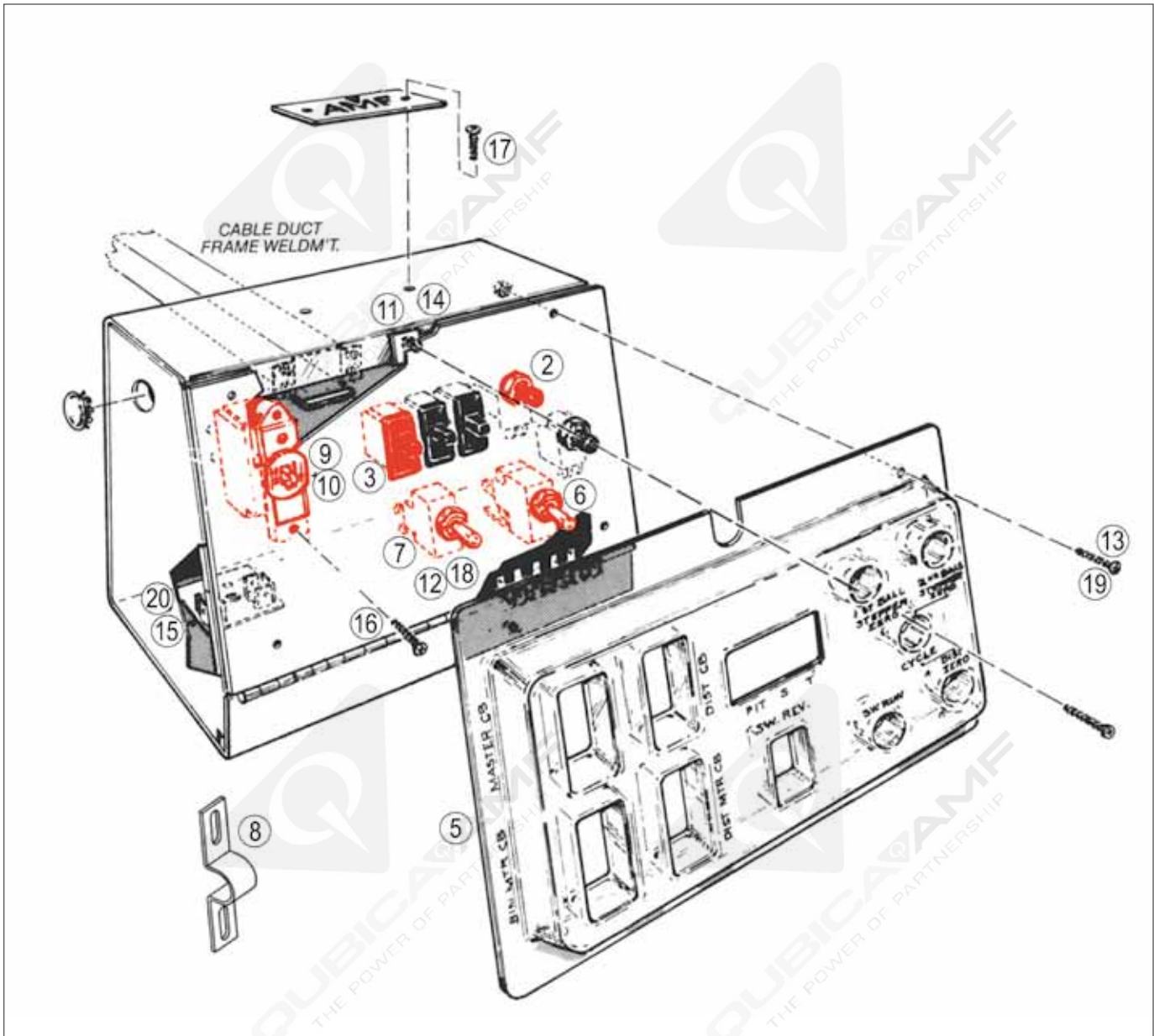
## MOTOR BRACKET ASSEMBLY

ITEM	PART NUMBER	DESCRIPTION
1	000 021 431	Spring
2	000 021 443	Spring Post
3	000 021 992BG	Bumper-Grommet #2250 Bag(10)
4	000 022 172	Sheave-Back End Drive
5	000 022 296BG	Insulator-Switch (Bag 10)
6	000 022 821	Pin
7	000 022 828	Brkt-Shock Swch Mech
8	000 023 621	Lever Cush Assembly-Swtch
9	000 023 625	Bumper-Sponge Rubber
10	000 023 673	Sheave
11	000 023 758BG	Gskt-Washer 3/8 Id X 7/8 Od (Bag 10)
12	000 024 598	Adj Speed Sheave
13	000 025 590	Receptacle Housing
14	000 025 906	Receptacle-Male
15	000 026 043	Switch-Micro
16	000 028 036	Shim-Micro Switch
17	000 029 601	Spring
18	000 029 624	Bracket Shock Mount
19	070 001 284	Receptacle Assembly
20	070 002 004	Arm Assembly RH Belt Tight (Odd)
21	070 002 007	Pulley Assembly Belt
22	070 002 010	Pan-Drip
23	070 002 012	Pivot Shaft
24	070 002 074	Brkt-Motor RH Rear (Odd)
25	070 002 084	Brkt-Motor RH Front (Odd)
26	070 002 094	Pulley-Belt Tightner

ITEM	PART NUMBER	DESCRIPTION
27	070 002 212	Brkt-Motor LH Rear (Even)
28	070 002 214	Brkt-Motor LH Front (Even)
29	070 002 216	Arm Assembly LH Mach (Even)
30	070 004 267	Shaft-Stub
31	070 006 211	Motor Westinghouse LH 50Hz
32	070 011 250	Bracket-Switch
34	610 704 042-R	Be LH Motor Gearbox 60 Hz
35	610 704 043-R	Be RH Motor Gearbox 60 Hz
36	724 501 072	Tin-Clip-Cbl.C 4506S
37	760 015 038	Term-Amp 41473
38	807 357 080BG	Screw-Stso5/16-18 X 1/2 (Bag 10)
39	807 358 060BG	Screw-Stso5/16-24 X 3/8 (Bag 10)
40	809 849 125	Screw-Hex 1/4-20 X 3/4
41	809 857 125BG	Screw-Hex 5/16-18 X 3/4 (Bag 10)
42	809 857 205BG	Screw-Hex 5/16-18 X 1 1/4 (Bag 10)
43	809 857 565	Screw-Hex 5/16-18 X 3 1/2
44	818 227 202BG	Screw-Smrd 6-32 X 1 1/4 (Bag 10)
45	823 126 062BG	Screw-Tap-Rd 6 X 3/8 Tya (Bag 10)
46	839 527 002BG	6-32 Flex Nut (Bag 10)
47	844 049 002BG	1/4-20 Lock Nut (Bag 10)
48	844 057 002BG	5/16-18 Stover Locknut (Bag 10)
49	900 108 141	Bearing Sl .503 X 7/8
50	900 208 161BG	Bearing Fl .503 X .875 X 1 (Bag 5)
51	913 437 160BG	Pin-Spring .187 X 1 (Bag 10)
52	963 600 002BG	Washer-X 1/4 9000-16 (Bag 10)

\* Remove N.O. contact before mounting    \*\* Use as required to obtain a gap of .79 in (2.39mm.) between item 7 & item 3  
 \*\*\* RECEPTACLE HOUSING 000025590 & (2) #8-32 x 3/8 flat head machine screws to be used with Westinghouse motors only  
 \*\*\*\* See page 103 for exchange and repair program

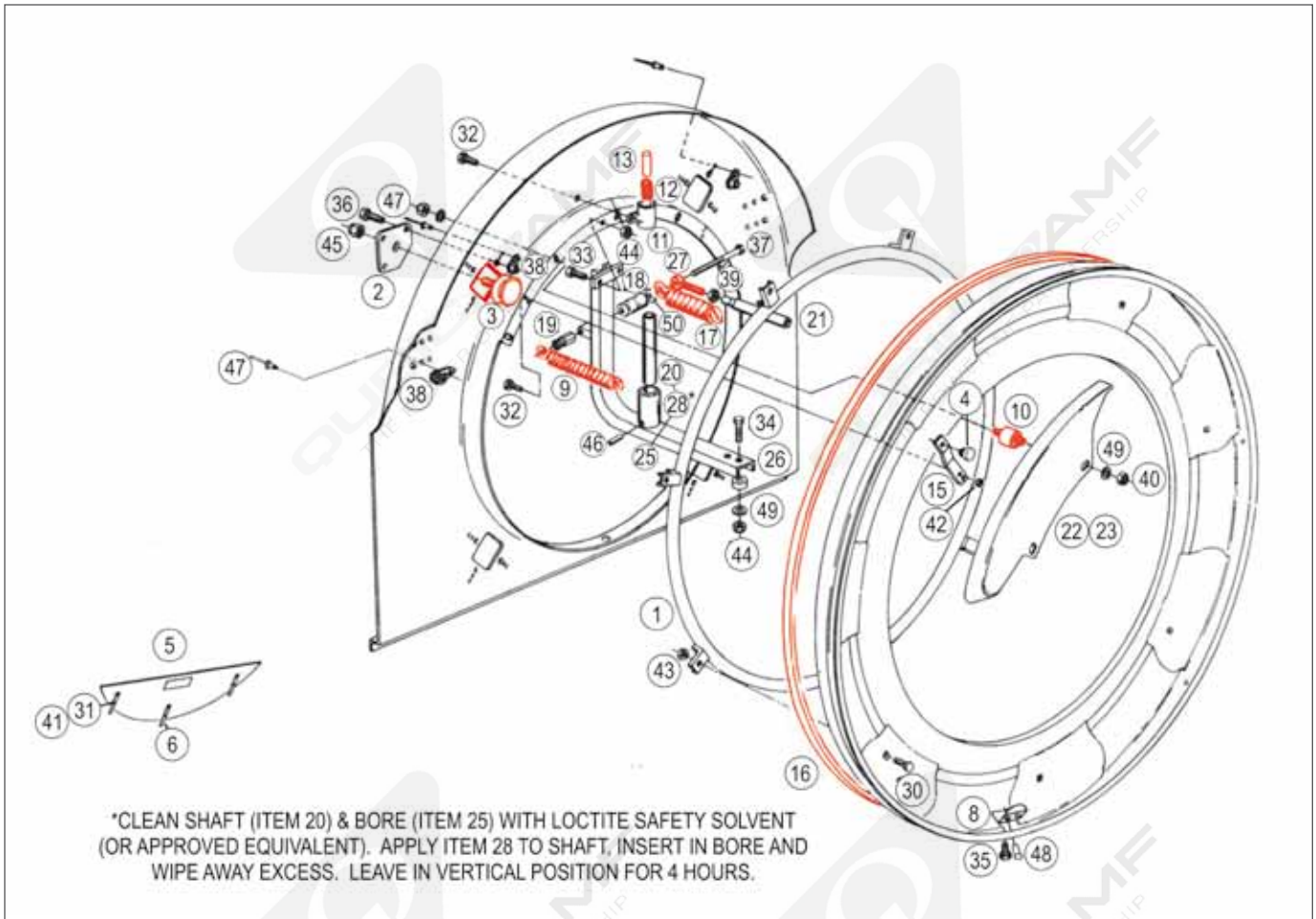
# BACK END CONTROL BOX



## BACK END CONTROL BOX

ITEM	PART NUMBER	DESCRIPTION
1	Circuit Breaker Am12 (4 Terminals)	
2	Plunger Switch	
3	Switch Toggle	
5	Cover-Control Box	
6	Switch-Sweep Run	
7	Switch-Sweep Reverse	
8	Strap	
9	Circuit Breaker-Spec (6 Terminals)	
10	Plate Adapter & Screw	
11	Tin-Nut-Spd.C814-832	

ITEM	PART NUMBER	DESCRIPTION
12	Screw Pnhd 4-40 X 1/2 Sems	
13	Scr-Smrd #6-32 X 1/2 (Bag 10)	
14	Scr-Smrd #8-32 X 1/2 (Bag 10)	
15	Scr-Smrd #8-32 X 3/4 (Bag 10)	
16	Scr-Smrd #6-32 X 1/4 (Bag 10)	
17	Screw-Drpk 0 X 1/4 Ty U	
18	Nut-Kep 4-40 Wash	
19	Nut-Kep 6-32 Wash (Bag 10)	
20	Nut-Kep 8-32 Wash (Bag 10)	



## PIN ELEVATOR ASSEMBLY

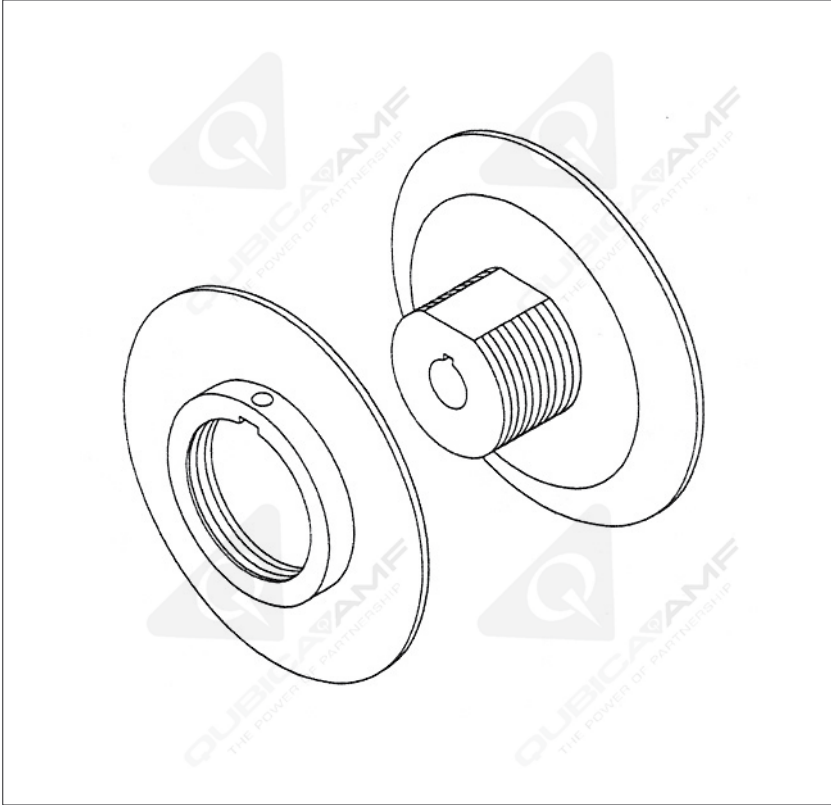
ITEM	PART NUMBER	DESCRIPTION
1	000 020 855	Ring Weldment
2	000 021 210	Plate-Roller
3	000 021 211	Roller Bearing
4	000 021 992BG	Bumper-Grommet #2250 (Bag 10)
5	000 022 219	Pin Elev Guard Assembly
6	000 022 222	Brkt-Mtg-Pin Elev Grd
7	000 025 330	Brkt-Pin Hold LH (Even)
8	000 025 331	Brkt-Pin Hold RH (Odd)
9	000 026 032	Spring
10	000 029 068	Rubber Mount
11	000 029 201	Oiler Body
12	000 029 202	Spring Wick
13	000 029 203	Wick Pin
15	070 001 415	Bracket-Wheel
16	070 002 005	Belt-Drive Pin Elev
17	070 006 030	Spring-Safety Link
18	070 006 043	Spacer-Clamp
19	070 006 044	Nut-Spring Post
20	070 006 045	Post-Dist Supt Assembly
21	070 006 047	Tube-Safety Link
22	070 006 098	Rail-RH Mach Bk End (Odd)
23	070 006 099	Rail LH Mach Bk End (Even) NOT SHOWN
24	070 006 143	Spacer
25	070 007 357	Channel Support Weld
26	070 008 449	Spacer-Dist Support

ITEM	PART NUMBER	DESCRIPTION
27	090 005 256	Rod-End-Distributor Support
28	700 107 170	Adhesive-Lkte 609
29	715 021 006	Ring Tube & Roller Lube
30	801 149 897	1/4-20 X 3/4 Carriage Bolt
31	801 239 160	Bolt-Carriage 10-24 X 1
32	809 849 125	Screw-Hex 1/4-20 X 3/4
33	809 857 165BG	Scr-Hx 5/16-18 X 1 (Bag 10)
34	809 857 405BG	Scr-Hx 5/16-18 X 2 1/2 (Bag 10)
35	809 858 085BG	Scr-Hx 5/16-24 X 1/2 (Bag 10)
36	809 858 125BG	Scr-Hx 5/16-24 X 3/4 (Bag 10)
37	809 865 725BG	Scr-Hx 3/8-16 X 4 1/2 (Bag 10)
38	830 358 002	Nut-An 5/16-24 Cd
39	831 566 002BG	Nut-Hex 3/8-24 (Bag 10)
40	834 557 002BG	Nut Hex 5/16-18 (Bag 10)
41	843 139 002BG	Kep Nut 10-24 (Bag 10)
42	844 049 002BG	Nut-Stvr-Lk 1/4-20 (Bag 10)
43	844 049 002BG	Nut-Stvr-Lk 1/4-20 (Bag 10)
44	844 057 002BG	Nut Stvr Lk-5/16-18 (Bag 10)
45	844 074 002BG	Nut-Stvr-Lk 1/2-20 (Bag 10)
46	913 437 280BG	Pin Sprng 187 X 1 3/4 (Bag 10)
47	938 523 030BG	Rvt-Pop 1/8 X .126 x .187 (Bag 10)
48	938 537 060BG	Rvt-Pop Dmed 3/16 Dia (Bag 10)
49	948 761 112BG	Washer 11/32 X 11/16 X 1/16 (Bag 10)
50	948 767 132BG	Washer Sae Flat (Bag 10)

# ADJUSTABLE SPEED SHEAVE

## ADJUSTABLE SPEED SHEAVE

Product Code 000024598



### Problems with Pin Feed on Pinspotters:

- Pins do not always slide perfectly on the orientor pan for many reasons including pin damage, grease, poor adjustment, etc.
- Older pins with scars and knicks do not slide well at all causing pin spacing to become close. This results in higher costs associated with replacing old pins with new ones to reduce machine calls and pin pile-ups.
- 82-70 distributor arm gets shorter feeding the 2, 4, & 7 pins while the distributor belt speed remains constant. This effect actually accelerates the pin to these locations making perfect spacing between the pins crucial to avoid pin jam.
- Tight or loose clutch adjustment, bent tubes, poor lubrication, and a wide variety of other adjustments inhibit the distributor's normal free range of motion and slow its movements from location to location.
- Even though the distributor may slip or wave, the belt speed remains constant and the pin is not going to wait.

### Solution:

- Slow the speed of the pin wheel down to create more spacing between the pins on the distributor belt. This gives the distributor more room for error.
- The bigger the spacing the better chance of avoiding a pin jam.
- The adjustable sheave provides a potential reduction in speed of up to 17%.
- The adjustable speed sheave allows you to optimize the pin feed of the backend to the ability of the distributor.



## VELCRO CUSHION COVER

Cover material with stitched male “hook” velcro  
(first time installation requires Velcro purchase)

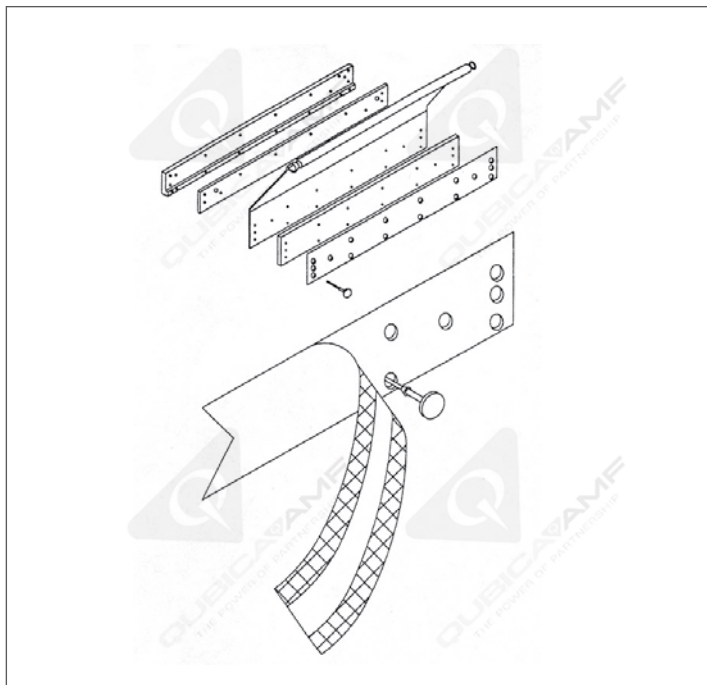
**Product Code**      **070011840**

Mounting die cut female “loop” velcro for RH  
cushion (Odd machine)

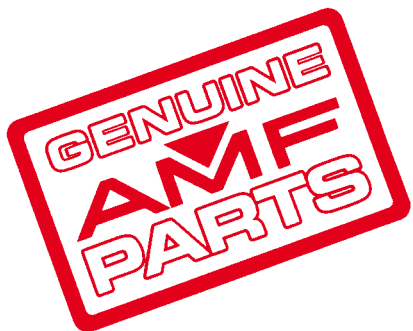
**Product Code**      **070011841**

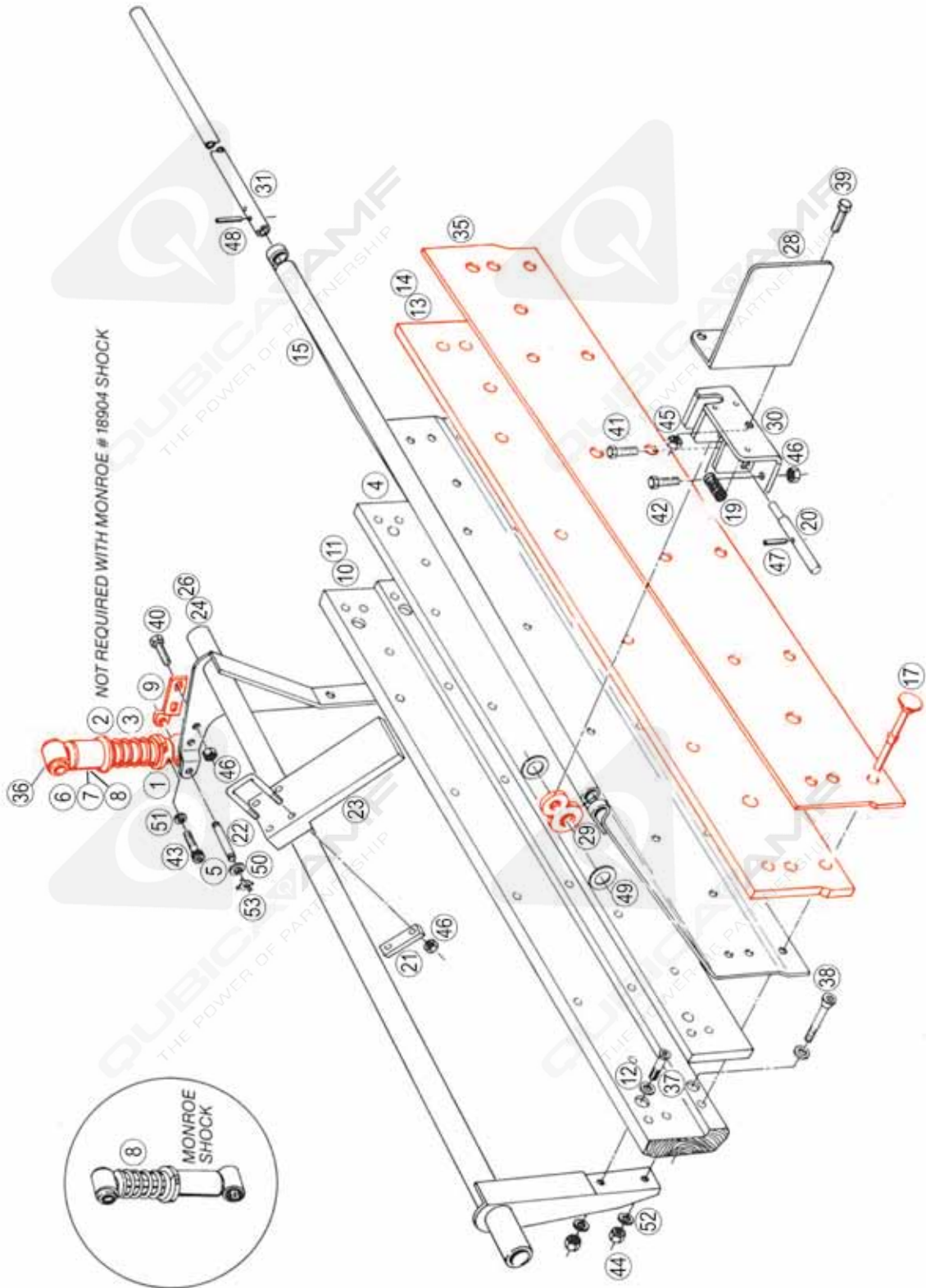
Mounting die cut female “loop” velcro for LH  
cushion (Even machine)

**Product Code**      **070011842**



- Reinforced “carpet belt” type material with a low friction “brushed” surface exposed for ball contact.
- Two strips of male “hook” Velcro are double stitched to the material with high strength, heavy polyester cord.
- Female “looped” Velcro is die cut to fit exactly like any other cushion cover. It is held in place with 16 rivets.
- Once installed, all rivet heads are protected from any ball contact. This means:
  - NO rivet head wear
  - NO balls sticking to rivet heads
  - NO marking from rivet heads
  - NO more rivet problems
- Outside material is simply pressed on.  
Each time the ball hits the cushion, the material is pressed on that much harder.
- When it is time to change the cover, simply peel it off and stick on a new cover.
- Eliminates down time and cushion maintenance resulting from installing new rivets and pads every time a cushion cover is worn out.
- Outside cover with stitched on Velcro is universal.
- Presents a truly smooth, flat, non-marking surface for the ball to contact with no rivet heads exposed.



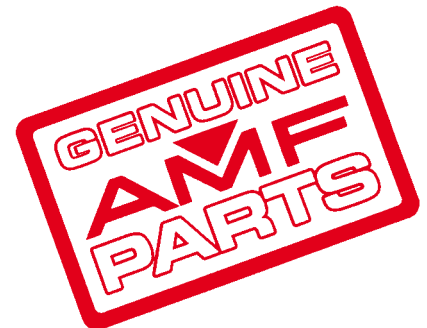


## CUSHION, SHOCK ABSORBER & CURTAIN SUPPORT ASSEMBLIES

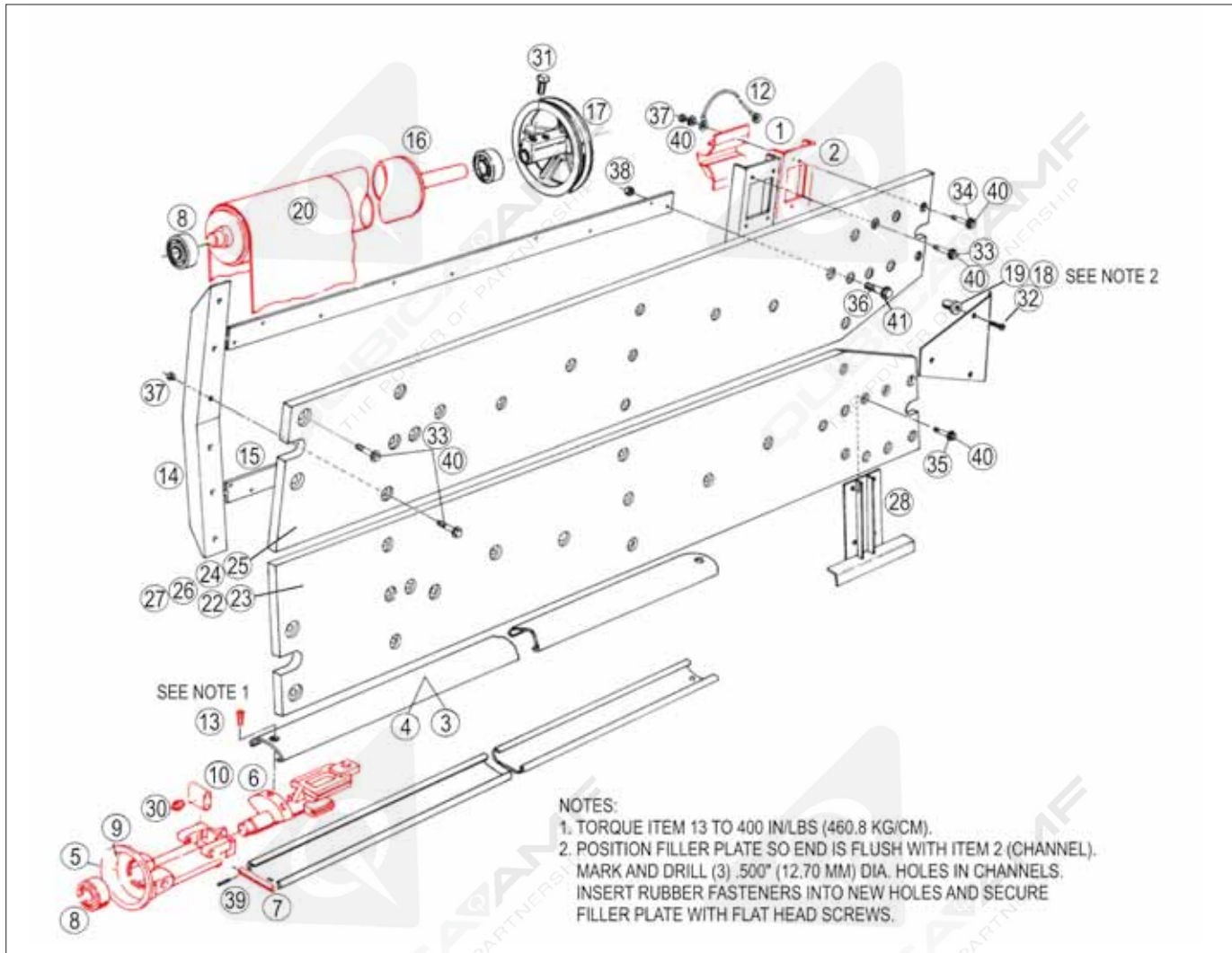
ITEM	PART NUMBER	DESCRIPTION
1	000 022 286	Collar-Strut Cushion
2	000 022 287	Washer Spring Seat
3	000 022 288	Spring Cushion
4	000 022 770	Pad Cush Sponge Rubbr
5	000 022 821	Pin
6	000 022 822	Sleeve
7	000 022 823	Shock Absorber
8	000 022 824	Cushion Shock Assembly
9	000 024 534	Ear, Hanger Cushion
10	000 024 795	Wood Plank-Cushion LH (Even)
11	000 024 796	Wood Plank-Cushion RH (Odd)
12	000 024 801BG	Washer (Bag 10)
13	000 024 807	Cushion-Rubber RH (Odd)
14	000 024 808	Cushion-Rubber LH (Even)
15	000 026 450	Pin Curtain
17	000 028 529	Urethane-Plus Rivet
19	070 001 389	Spring-Curtain Latch
20	070 001 396	Pin-Curtain Latch
21	070 001 421	Strap
22	070 001 422	Bolt-U
23	070 001 432	Pad
24	070 002 050	Tube Weld RH (Odd)
25	070 002 060	Cushion Assembly RH (Odd)
26	070 002 252	Tube Weld LH (Even)
27	070 002 260	Cushion Assembly LH (Even)
28	070 004 738	Guard

ITEM	PART NUMBER	DESCRIPTION
29	070 005 610	Link
30	070 007 360	Brkt Support Weld
31	070 011 288	Rod Curtain
32	070 011 840	Velcro Cushion Cover
33	070 011 841	Velcro Loop Cushion RH (Odd)
34	070 011 842	Velcro Loop Cushion LH (Even)
35	090 005 230	Cushion Cover Reinforced
36	721 502 005	Bushing-Rubber Monroe Shock
37	808 865 320BG	Screw-Soff 3/8-16 X 2 (Bag 10)
38	808 865 400BG	Scr-Soff 3/8-16 X 2 1/2(Bag10)
39	809 849 125	Screw-Hex 1/4-20 X 3/4
40	809 857 125BG	Screw-Hex 5/16-18 X 3/4 (Bag 10)
41	809 857 165BG	Screw-Hex 5/16-18 X 1 (Bag 10)
42	809 857 205BG	Screw-Hex 5/16-18 X 1 1/4 (Bag 10)
43	810 250 200BG	Screw-Soc 1/4-28 X 1 1/4 (Bag 10)
44	839 665 002BG	Nut-Fix 3/8-16 (Bag 10)
45	844 049 002BG	1/4-20 Lock Nut (Bag 10)
46	844 057 002BG	5/16-18 Stover Locknut (Bag 10)
47	913 431 160BG	Pin-Spmg .156 X 1 (Bag 10)
48	913 437 240BG	Pin-Spmg .187 X 1 1/2 (Bag 10)
49	945 091 242	Washer-1 X 1 1/2
50	948 975 172BG	1/2 Uss Wrought Washer Type A (Bag 10)
51	951 148 002BG	1/4" Split Lockwasher Med Pltd (Bag10)
52	951 164 002BG	Washer-Lk-Split 3/8 (Bag 10)
53	963 600 002BG	Washer-X 1/4 9000-16 (Bag 10)

Note: Spring is top on Monroe Shock, Bottom on Gabriel Shock. Gabriel Shock is no longer available.



# BOUNCE PLATE & ROLLER ASSEMBLIES

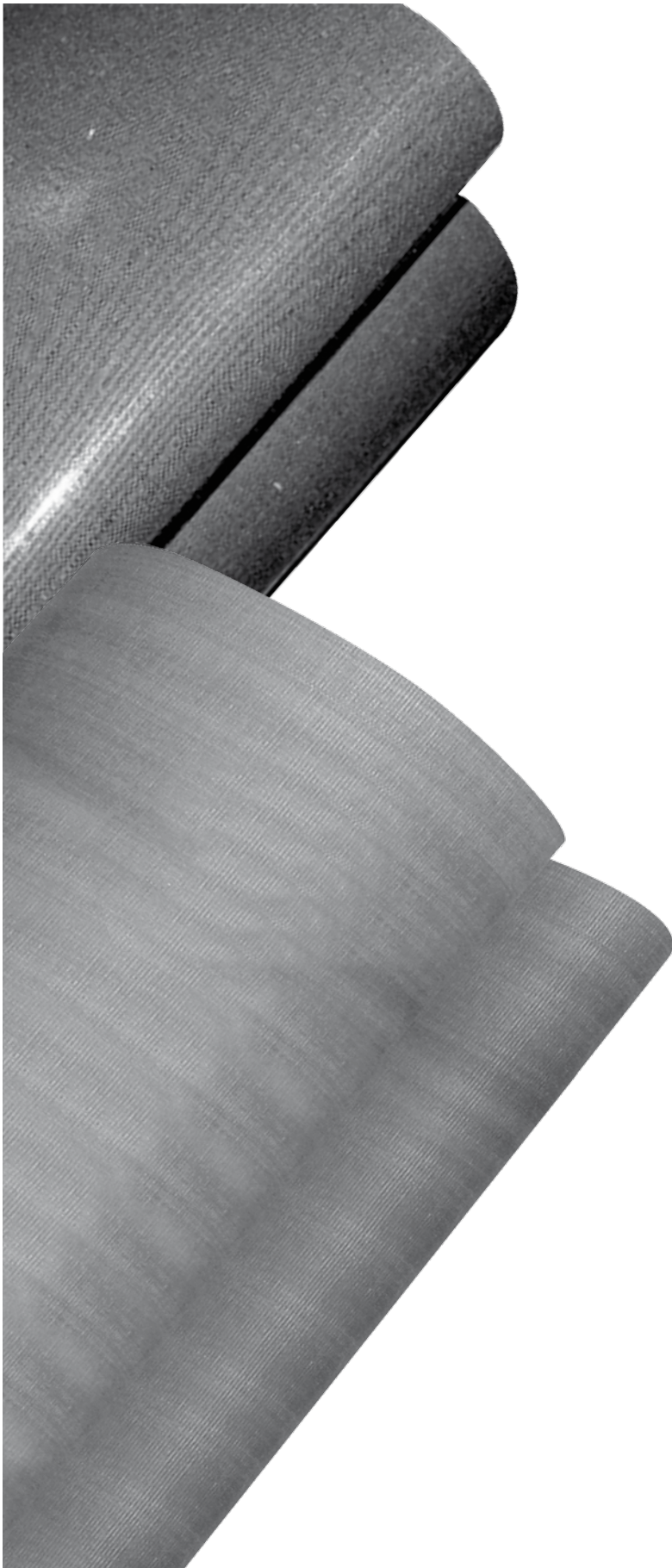


## BOUNCE PLATE & ROLLER ASSEMBLIES

ITEM	PART NUMBER	DESCRIPTION
1	000 021 224	Dampener Vibration
2	000 021 914	Channel
3	000 024 576	Roller Assembly-Front
4	000 024 578	Roller Body-Front
5	000 024 579	Roller Hinge
6	000 024 580	Shaft Hinge
7	000 024 582BG	Pin Roller (Bag 10)
8	000 024 590	Front Roller Bearing
9	000 024 592	Hinge Assembly
10	000 024 597	Link Assembly
11	000 024 760	Front Roller Link Assembly
12	000 025 622	Strap-Bonding
13	000 025 662BG	Screw-Nyloc (Bag 10)
14	000 029 626	Support-Angle
15	000 029 898	Bar Reinforcing 40.5
16	070 002 034	Roller Assembly Rear
17	070 002 097	Sheave Carpet Drive
18	070 007 846	Kit Filler Plate
19	070 007 847	Fastner Rubber
21	088 500 505BX	Carpet Belt In Box
22	090 005 270	Bounce Board RH Front Phenolic (Odd)

ITEM	PART NUMBER	DESCRIPTION
23	090 005 271	Bounce Board LH Front Phenolic (Even) NOT SHOWN
24	090 005 272	Bounce Board RH Rear Phenolic (Odd)
25	090 005 273	Bounce Board LH Rear Phenolic (Even) NOT SHOWN
26	090 005 275	Bounce Bd Assy R.H. (Odd)
27	090 005 276	Bounce Bd Assy L.H. (Even) NOT SHOWN
28	610 704 014	Ball Idling Bracket Kit
29	612 070 014	Rear Roller Repair Kit
30	710 501 002	Fittng-Almte 1612B
31	806 265 160BG	Screw-Stsq 3/8-16 X 1 Cp (Bag 10)
32	808 849 160BG	Screw-Soft 1/4-20 X 1 (Bag 10)
33	809 849 165BG	Screw-Hex 1/4-20 X 1 (Bag 10)
34	809 849 205BG	1/4-20 X 1 1/4 Machine Screw (Bag 10)
35	809 849 325BG	1/4-20 X 2 Cap Screw (Bag 10)
36	809 857 205BG	Screw-Hex 5/16-18 X 1 1/4 (Bag 10)
37	844 049 002BG	1/4-20 Lock Nut (Bag 10)
38	844 057 002BG	5/16-18 Stover Locknut (Bag 10)
39	913 411 100BG	Pin-Sprng .078 X 5/8 (Bag 10)
40	948 753 102BG	Washer 9/32 X 5/8 X 1/16 (Bag 10)
41	948 761 112BG	5/16 Wrought Washer (Bag 10)

AMF Carpet Belts have been the proven leaders for more than 50 years. All of our carpets resist lane oil penetration, resist stretching and resist fraying. We offer two high quality belts at three price points to meet every center's budget.



## BLACK CARPET BELT

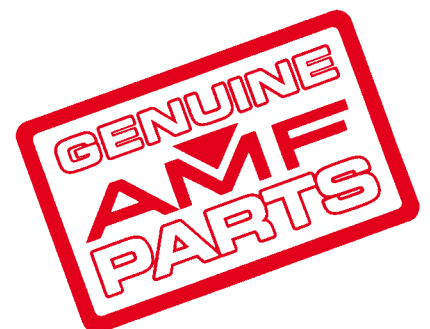
It's the expert carpet belt for your pinspotters. As the standard carpet belt on all our new pinspotters, the new Black Belt is very consistent. With a tight inside dimension tolerance, the Black Belt maintains flexible contact over the pit carpet rollers for a longer period of time, which eliminates ball idling issues. Even with today's aggressive lane oils, the Black Belt stays soft and flexible without stretching. Field tested for four years, our Black Belt is easy to install, starts up easier, and resists lane oils. The Black Belt comes with a one year warranty.

**Order part # 088 500 505BX**

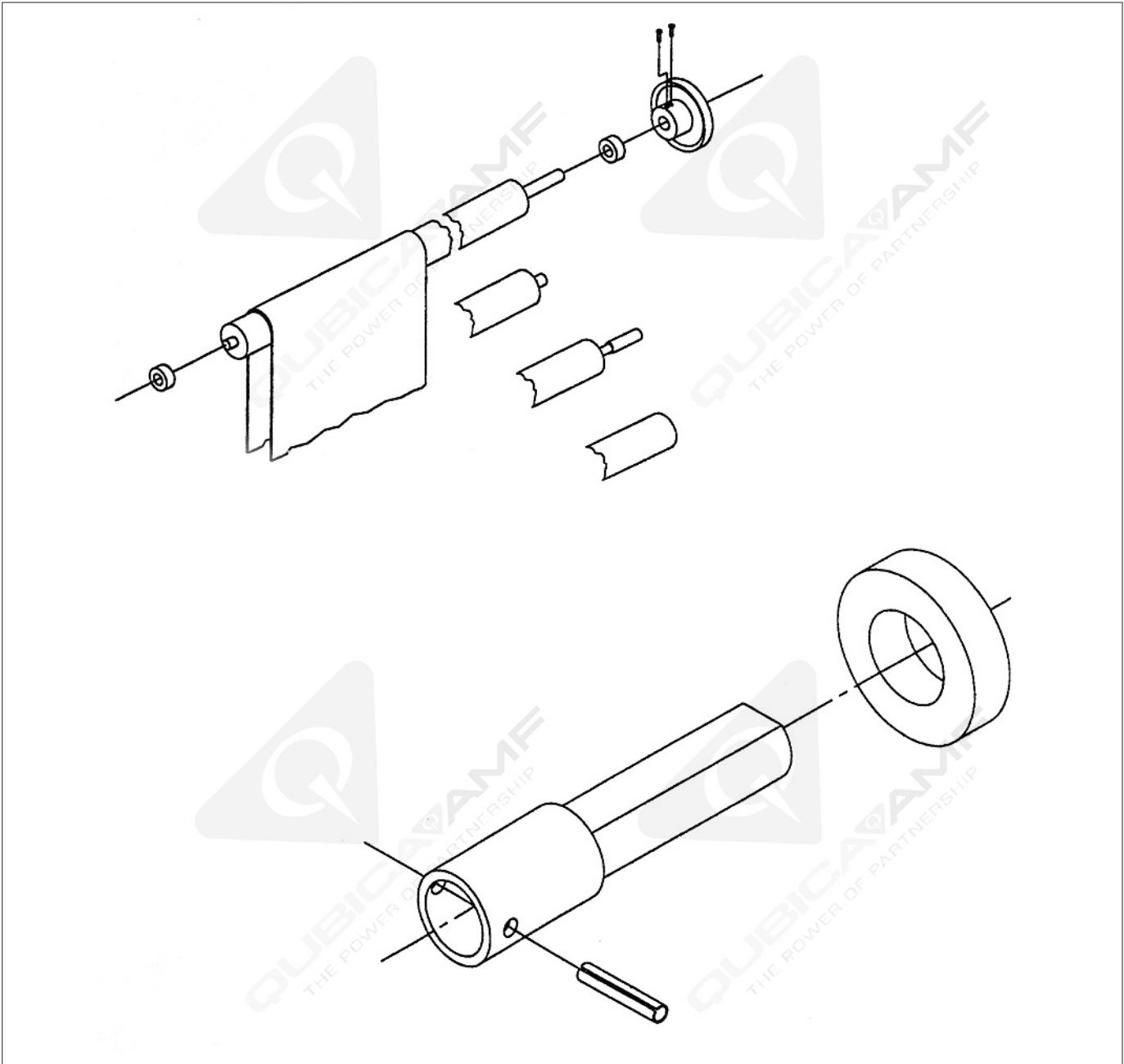
## PUMPKIN CARPET BELT

The Pumpkin is the standard of the industry. It has a mechanically and chemically stitched splice that resists de-lamination and curling. This belt provides longer life and superior oil resistance to mandrel built belts, and is preconditioned for easier installation, and reduced break-in time. It also comes with a two-year warranty.

**Order part # 090 006 124**



# 82-70 REAR ROLLER REPAIR KIT



## 82-70 REAR ROLLER REPAIR KIT

**Includes:**

- Stub shaft
- Ball bearing for stub shaft end
- New ball bearing for opposite end (#000024590)
- 3/16" x 1" steel roll pin
- 0.185" drill bit

**Product Code**      **612070014**

## SPECIAL TOOLS - PIT & CUSHION

**784003000**

**Rivet Installation/Handle Tool**

**792502002**

**Carpet Flat Tool**

**792018020**

**Magnetic Pick-Up Tool**

**792501001**

**Carpet Removal Pin**

**792505005**

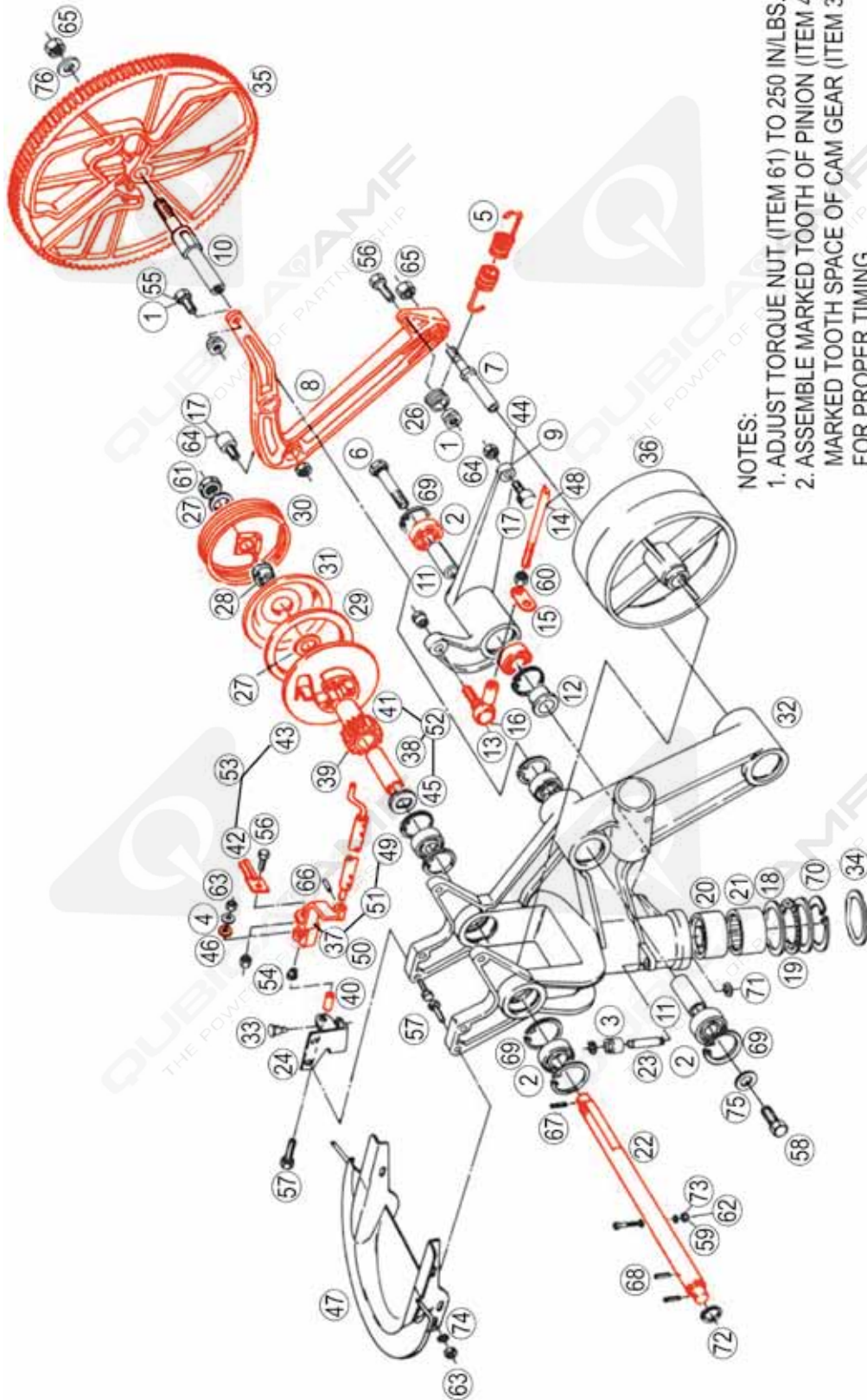
**Spring Puller**



**QUBICA**  **AMF**  
**DISTRIBUTOR**



# DISTRIBUTOR 1 ASSEMBLY



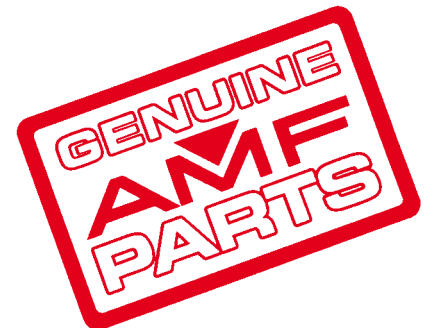
- NOTES:
1. ADJUST TORQUE NUT (ITEM 61) TO 250 IN./LBS.
  2. ASSEMBLE MARKED TOOTH OF PINION (ITEM 41) INTO MARKED TOOTH SPACE OF CAM GEAR (ITEM 35) FOR PROPER TIMING.



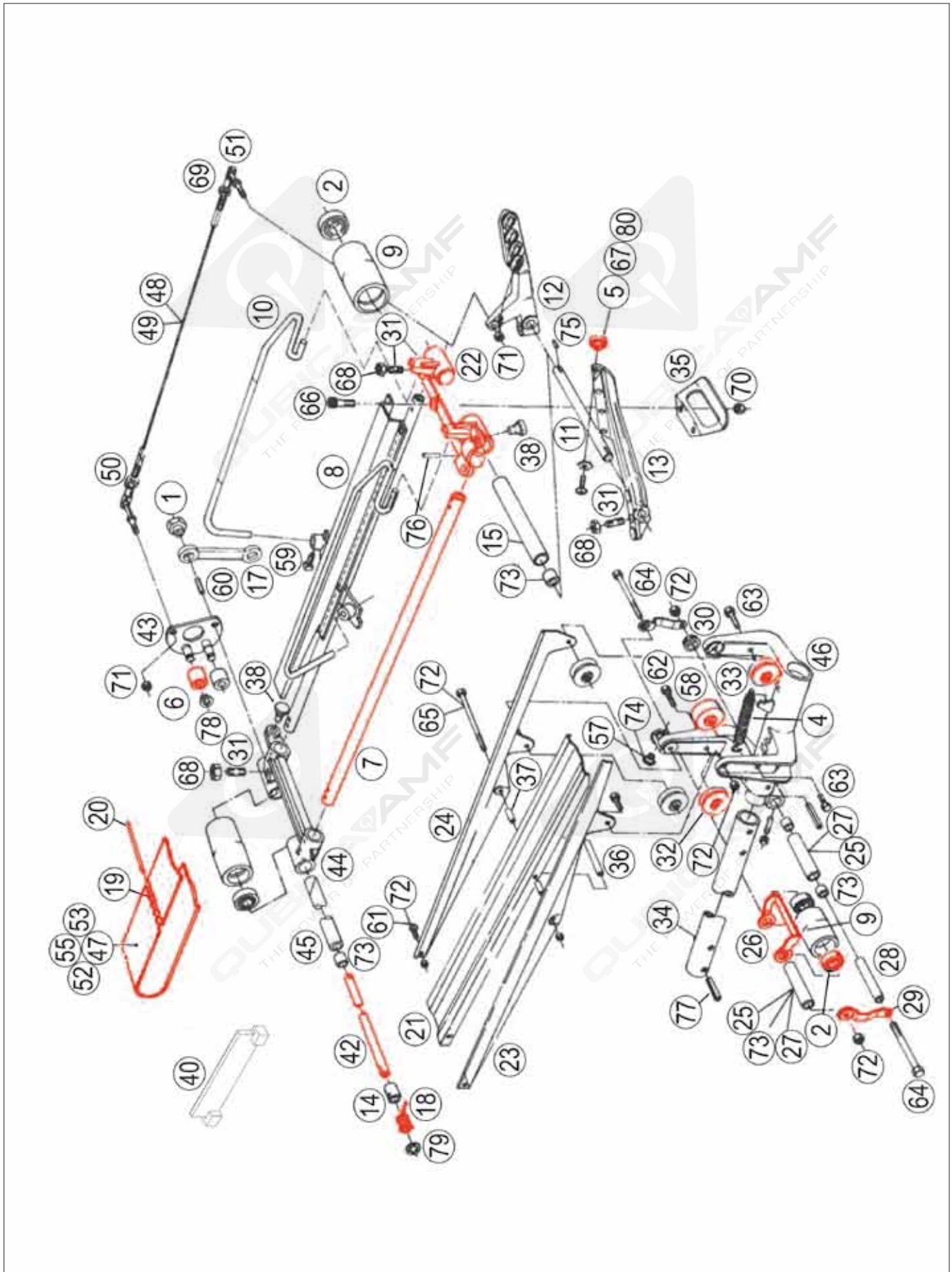
DISTRIBUTOR ASSEMBLY

ITEM	PART NUMBER	DESCRIPTION
1	000 022 173	Nut-Special
2	000 024 679	Bearing Bl .625 X 1.375
3	000 026 081	Sleeve-Spring Post
4	000 026 865BG	Washer (Bag 10)
5	070 006 034	Spring Linear Dist.
6	070 006 048	Bolt Special
7	070 006 049	Shaft Arm Dist.
8	070 006 051	Arm Distributor
9	070 006 052	Drive Arm
10	070 006 061	Shaft Cam Supt Dist.
11	070 006 064	Spacer Bearing Dist.
12	070 006 065	Clamp Race Dist.
13	070 006 066	Rod End Female Dist.
14	070 006 067	Rod Safety Link Dist
15	070 006 068	Support Spring Dist.
16	070 006 069	Nut Special Dist
17	070 006 071	Cam Follower Dist.
18	070 006 073	Washer Thrust
19	070 006 074	Bearing Needle Thrust
20	070 006 075	Bearing Nd Cisd End 1 "Lg"
21	070 006 076	Bearing Needle Open End
22	070 006 077	Shaft Drive Dist.
23	070 006 082	Pin Spring Post Dist
24	070 006 084	Brkt Trip Stop
25	070 006 087	Sleeve Pivot Trip
26	070 006 111	Sleeve Spring Post
27	070 006 121BG	Washr Dist. Clutch (Bag 10)
28	070 006 125	Worm Adjusting
29	070 006 126	Friction Disk
30	070 006 128	Spring Assembly
31	070 006 130	Clutch Plate
32	070 006 136	Casting & Bearing Assy
33	070 006 142BG	Bumper (Bag 10)
34	070 006 143	Spacer
35	070 006 149	Cam Index Dist.
36	070 006 666	Pulley Dist. Belt Dr
37	070 006 667	Trip Casting With Bearing
38	070 006 676	Sleeve Dist Drive
39	070 006 679	Bearing SI .752 X .877 X 1.66
40	070 006 685	Pivot Trip Assembly

ITEM	PART NUMBER	DESCRIPTION
41	070 006 686	Pinion Gear Assembly
42	070 006 691	Stop Blades Trip Arm
43	070 006 692	Clutch Plate Assembly
44	070 007 119	Drive Arm Assembly
45	070 007 376BG	Wshr-Thrust (Bag 5)
46	070 007 651BG	Washer Nylon Dist (Bag 10)
47	090 003 077	Orienter Pan Assembly Dist.
48	090 005 262	Rod Link Assy
49	090 006 663	Trip Stop Rod Assy
50	090 006 665	Cstg Trip Supt Dist Slot No Bearing
51	090 006 668	Trip Stop Rod And Support Casting Assy
52	610 704 005	Pinion & Sleeve Assembly (incl Items 38, 41 & 45)
53	610 704 006	Clutch Plate Assembly Kit (incl items 42 & 43)
54	701 712 097	Bearing Sp .375 X .628 OI
55	809 849 100BG	Scr-Hx 1/4-20 X 5/8 (Bag 10)
56	809 849 125	Screw-Hex 1/4-20 X 3/4
57	809 849 205BG	Scr-Hx 1/4-20 X 1 1/4 (Bag 10)
58	809 857 060BG	Scr-Hx 5/16-18 X 1/2 (Bag 10)
59	810 239 240BG	Scr-Soc 10-24 X 1 1/2 (Bag 10)
60	831 565 002BG	Nut-Hex 3/8-16 Cd (Bag 10)
61	835 582 002	5/8-18 Unf Hex Thin Nut- Phtd
62	840 039 002BG	Nut-Flx-In #10-24 (Bag 10)
63	844 049 002BG	Nut-Svr-Lk 1/4-20 (Bag 10)
64	844 050 002BG	Nut-Svr-Lk 1/4-28 (Bag 10)
65	844 073 002BG	Nut-Svr-Lk 1/2-13 (Bag 10)
66	913 415 090BG	Pin Spring .094 X 9/16 (Bag 10)
67	913 437 140BG	Pin-Spring .187 X 7/8 (Bag 10)
68	914 037 206BG	Spirol Pin 3/16 X 1 1/4 (Bag 10)
69	919 000 600BG	Ring-Ret. 5000-137 (Bag 10)
70	919 004 200BG	Ring-Ret. 5008-212 Bag(10)
71	919 005 300BG	Ring-Ret. 5100-37 (Bag 10)
72	919 005 600BG	Ring-Ret. 5100-62 (Bag 10)
73	948 745 082BG	Wshr- 7/32 X 1/2 X 1/16 (Bag 10)
74	948 753 102BG	Washer 9/32 X 5/8 X 1/16 (Bag 10)
75	948 761 112BG	Washer 11/32 X 11/16 X 1/16 (Bag 10)
76	948 975 172BG	Wshr-17/32 X 1 1/16 (Bag 10)



# DISTRIBUTOR 2 ASSEMBLY

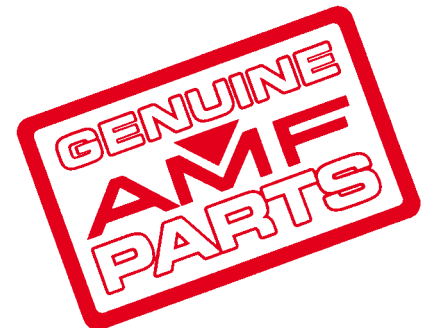


DISTRIBUTOR ASSEMBLY

ITEM	PART NUMBER	DESCRIPTION
1	000 022 173	Nut Special
2	000 024 679	Bearing Bl .625 X 1.375
3	000 025 281	Riveted Bearing Respot Cell
4	000 026 031	Spring
5	000 026 251BG	Bearing Respot Cell 30 (Bag 10)
6	070 001 857BG	Roller Nylon (Bag 2)
7	070 006 004	Tube Distributor
8	070 006 009	Support Belt Runner Assembly
9	070 006 011	Pulley Assembly Dist.
10	070 006 013	Guide Pin Dist.
11	070 006 014	Shaft Distributor
12	070 006 015	Trip Arm Assembly RH (10 Side)
13	070 006 016	Trip Arm Assembly LH (7 Side)
14	070 006 019	Collar Spring Dist.
15	070 006 021	Tube Assembly Front-Dist.
16	070 006 022	Tube Assembly Middle Dist
17	070 006 029	Link Connecting Dist
18	070 006 035	Spring Dist Carriage
19	070 006 036BG	Lacing Dist. Belt
20	070 006 037BG	Pin Dist. Belt
21	070 006 042	Runner Belt Rear
22	070 006 055	Carriage Front Dist.
23	070 006 103	Support Guide LH (7 Side)
24	070 006 104	Support Guide RH
25	070 006 105	Tube Assembly Dist. Carriage
26	070 006 106	Bkt Tracking Dist
27	070 006 107	Tube Belt Tightener Dist
28	070 006 108	Spacer Roller Assy Dist
29	070 006 109	Link Roller Assembly Dist
30	070 006 111	Sleeve Spring Post
31	070 006 116	Stud Clamp
32	070 006 117	Bearing Grooved Concentric
33	070 006 118	Bearing Grooved Eccentric
34	070 006 120	Carriage Supprot Tube
35	070 006 137	Guard Belt Dist.
36	070 006 139	Spacer Inner Dist.
37	070 006 140	Spacer Outer Dist.
38	070 006 142BG	Bumper
40	070 006 201	Belt Guide
42	070 006 659	Shaft Carriage Assembly

ITEM	PART NUMBER	DESCRIPTION
43	070 006 661	Trip Rocker Arm Weld
44	070 006 672	Carriage Casting
45	070 006 683	Tube Assembly Rear Casting
46	070 006 688	Support Carriage Assembly
47	070 006 757	82/70 Dist Belt Black Rough Top
48	070 011 170	Trip Cable Assy
49	070 011 171	Cable Assy
50	070 011 172	Ball Joint 7/16
51	070 011 173	Ball Joint 9/16
52	070 011 905	Grey Gripper (3 Belt Roll)
53	070 011 909	Poly V Dist Belt
54	610 704 032	Distributor Assembly
55	610 709 811	82/70 Dist Belt Black Rough Top (For 3 Belts)
57	701 710 098	Bearing Sp .313
58	701 849 124	Bearing Bl 1/4 Thrd Bore
59	806 249 060BG	Scr-St sq hd 1/4-20 X 3/8 (Bag 10)
60	807 249 160BG	Scr-Stso 1/4-20 X 1 Cp (Bag 10)
61	808 549 200BG	Scr-Sobt 1/4-20 X 1 1/4 (Bag 10)
62	809 849 125	Screw-Hex 1/4-20 X 3/4
63	809 849 165	1/4-20 X 1 Screw Hh Gr8 Blk
64	809 849 605BG	Scr-Hx 1/4-20 X 3 3/4 (Bag 10)
65	809 849 885BG	Scr-Hx 1/4-20 X 5 1/2 (Bag 10)
66	810 239 160BG	Scr-Soc 10-24 X 1 (Bag 10)
67	813 540 082BG	Screw 10-32 X 1/2Ct (Bag 10)
68	834 549 002	1/4-20 Steel Hex Nut, Pltd
69	835 549 002BG	Nut-Hx-Jam 1/4-20 (Bag 10)
70	840 039 002BG	Nut-Fix-In #10-24 (Bag 10)
71	840 040 002BG	Nut-Fix-In #10-32 (Bag 10)
72	844 049 002BG	Nut-Stw-Lk 1/4-20 (Bag 10)
73	900 106 081BG	Brg Sl .378 X .503 X 1/2 (Bag 5)
74	900 206 091BG	Brg Fl .378 X .503 X 9/16 Bag(5)
75	907 000 100BG	Key-Hy Pro #403 (Bag 10)
76	913 437 140BG	Pin Spring .187 X 7/8 (Bag 10)
77	913 464 280BG	Pin Spring .375 X 1 3/4 (Bag 10)
78	919 005 000BG	Ring Ret. 5100-25 (Bag 10)
79	919 006 000BG	Ring Ret. 5115-37 (Bag 10)
80	957 100 002BG	Washer Shockproof (Bag 10)

\* Suggested Belt Length: Rough Top & Gripper Belts: 117" ± 1/2" Nitrile & Poly V Belts: 116" ± 1/4"  
 Note: Roller must be steel bearing with AMF Scoring.



## PINION & SLEEVE LUBE



**Product Code**      **715010205**

**Features:**

- Extends the service interval of clutch parts
- Stays where you put it and does not run
- Simply apply a thin film on shaft, sleeve pinion bushing, washer with flats and stop blades

## ORIENTOR PAN COVER

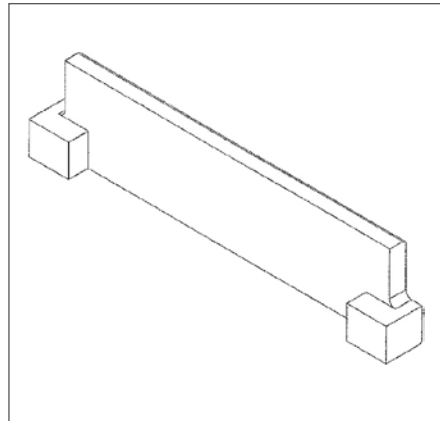


**Product Code**      **070011910**

**Features:**

- Cleans pins as they transfer from elevator
- Slow down pins that roll onto distributor too fast thus eliminating many pile-ups
- Tool-free installation that install in seconds
- Machine wash and dry

## BELT GUIDE



**Product Code**      **070006201**

**Features:**

- Raises the belt where the pin transfers from the O-pan to the belt
- Eliminates most calls related to pin spacing & transfer
- Quick, tool-free installation
- Perfect for most low-profile belts

## CARL KLAUCK DISTRIBUTOR TOOL



**Product Code**      **000200000**

**Features:**

- Allows easy relief of belt tension without removing spring

## SPECIAL TOOLS - DISTRIBUTOR

PART NUMBER	DESCRIPTION
792505005	Spring Puller
088001216	Frame/Sweep/Dist Gauge
000020000	Carl Klauck Distributor Tool
030003542	Clipper Belt Lacer
792516021	Rough Top Belt Skiver
792517037	Torpedo Level

## CLUTCH KIT



**Product Code**      **612700001**

**Features:**

- Everything you need to build a fresh, new clutch
- Includes all 10 items in clutch
- Priced right

## TRIP ROD & CAST ASSEMBLY

**Features:**

- Slot and bolt connection
- 0.5" solid steel rod
- Added weight helps release stop blade easier
- Allows better clutch adjustment

**Product Code**      **090006668**

## CLUTCH REPAIR KIT

**Features:**

- New Backing Plate and Trip Blade
- Both wear items in a convenient Kit
- Made to AMF's exact specifications

**Product Code**      **610704006**

## 82-70 BELTS

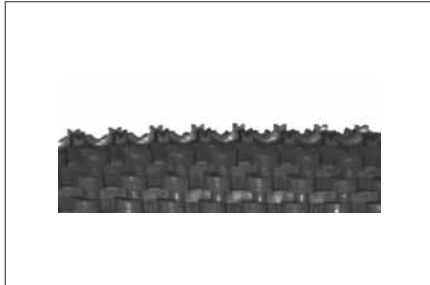
### POLY V



This belt takes the hassle out of pins sliding on the distributor or piling up. The Poly V conveyor style tread pattern, low profile design, and tacky surface grabs even the slickest pins covered with today's high tech synthetic blend lane oils. Impervious to most lane oils and cleaners makes this an ideal belt for high lineage centers that apply a high volume of lane oil. Poly Vs are only sold individually and include stainless steel lacing and pins.

Poly V Belt  
**Product Code 070011909**

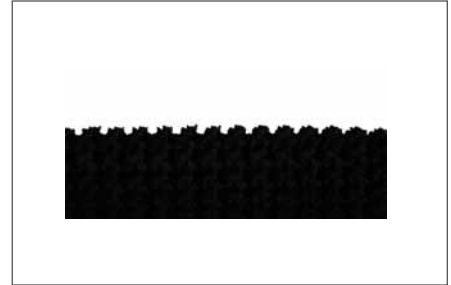
### THE GRIPPER



QAMF's Gripper belt takes the hassle out of pins sliding on the distributor or piling up. The Gripper belt's aggressive tread pattern, low profile design and tacky surface grabs even the slickest pins covered in today's high tech synthetic-blend oils. The Gripper is an ideal belt for high lineage centers that apply a high volume of lane oil.

The Gripper Belt - Roll of 3 belts  
**Product Code 070011905**

### ROUGH-TOP



QAMF's popular Rough-Top belt is made of black PVC with a rough top design. This tread design provides a high coefficient of traction to minimize pin jams. The Rough-Top is ideal for high lineage centers using standard oils.

Rough Top Belt  
**Product Code 070006757**

Rough Top Belt - Roll of 3 belts  
**Product Code 610709811**

## 82-30 BELTS

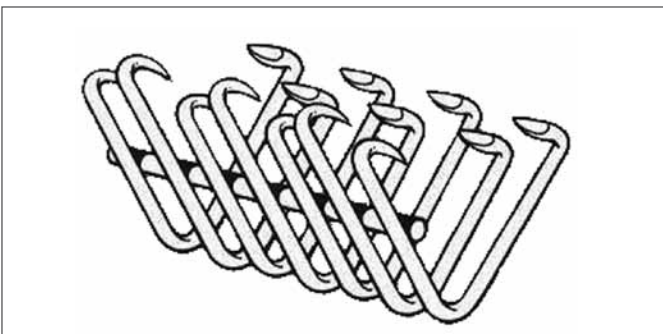
### POLY V BELT

**Product Code 030006789**

### GRIPPER BELT (OBS)

**Product Code 030005678**

## UNIBAR BELT LACING & PIN

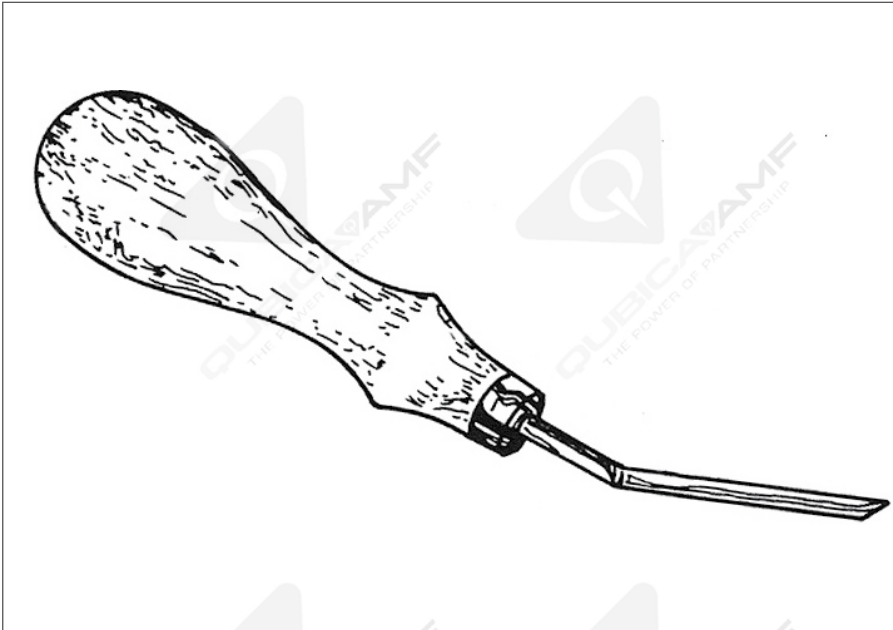


This is QAMF's "High Performance" option for mechanics who are tired of distributor belt lacing issues.

The lacing is 100% Stainless Steel to prevent corrosion. The puncture points are longer, to bite through the entire belt and use as much of the belt's thickness as possible to prevent pull-out. A "unibar" attaches across every hook to make them all act as a team, lock them into position, and ensure excellent belt tracking. With bulk packaging, it reduces cost. This is a universal replacement that works in your belt lacing tool. So good, we equip every Poly-V Distributor Belt with it - for brand-new XLI's back to the earliest 82/30. Twelve 12" sections, includes pins and instructions.

**Product Code 070011912**  
**030003542 Clip Belt Lacer ADAP**

## ROUGH TOP BELT SKIVER



**EASY TO USE:** Hold the skiver at a 30 degree angle and move across the belt; raised surface is zipped away.

**SAFE ALTERNATIVE** to grinding wheels, razor blades and knives for the removal of raised surface belting.

**BLADE CAN BE RE-SHARPENED** to restore the blade to the original sharpness.

**PORTABLE:** Belts can be skived at any location.

- Skiving rough top and other raised surface belting is an important step in achieving maximum benefits/lift from belt splices. The rough top belt skiver removes raised surfaces. within seconds, leaving a smooth surface for selecting and installing belt fasteners.
- The rough top belt skiver is a safe and effective alternative to other methods of removing raised surfaces such as grinding wheels, razor blades or knives.
- Being a hand held tool, this job can be done virtually anywhere.

**Product Code**      **792516021**

### INSTRUCTIONS:

- 1** Place belt on solid surface and hold securely with free hand. Note: keep hand out of the path of the skiver
- 2** Hold skiver at approximately a 30-degree angle to the belt. (fig. 1) Slowly begin cutting into the belt surface just under the raised top.
- 3** Maintain an even pressure and move skiver across the belt. (fig.2) If held at proper angle, it will cut through the belt easily.
- 4** Skive rough top back on inch from each end to allow clearance for lacer jaws during lacing operation.

### TO SHARPEN:

- 1** Place 1/4" fine stone of emery board in cutting channel. Draw away from tool.
- 2** After tool is sharp, draw stone across bottom to remove burrs.

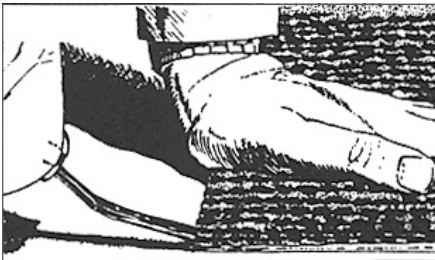


Fig. 1

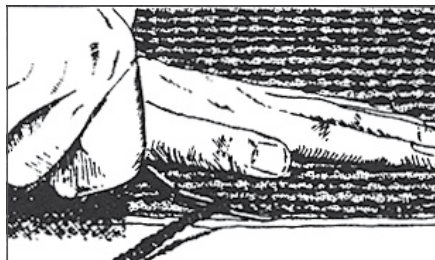


Fig. 2

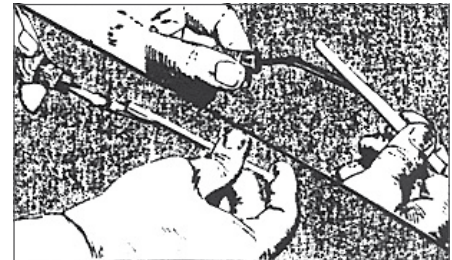
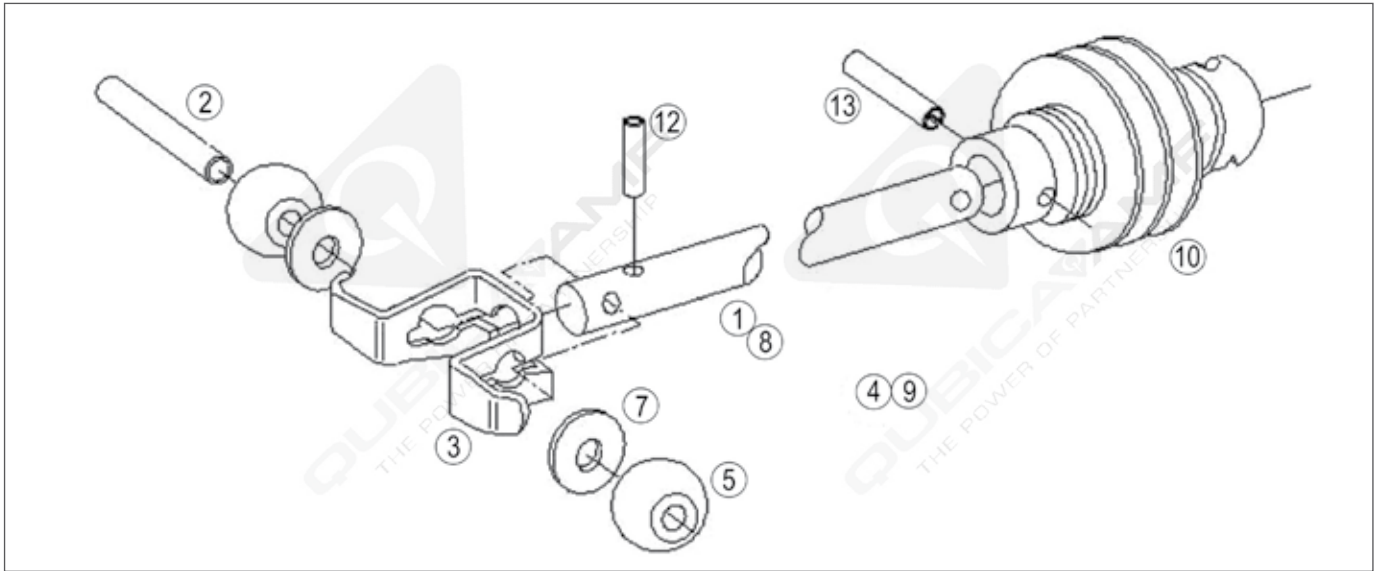


Fig. 3

# DISTRIBUTOR DRIVE SHAFT ASSEMBLY

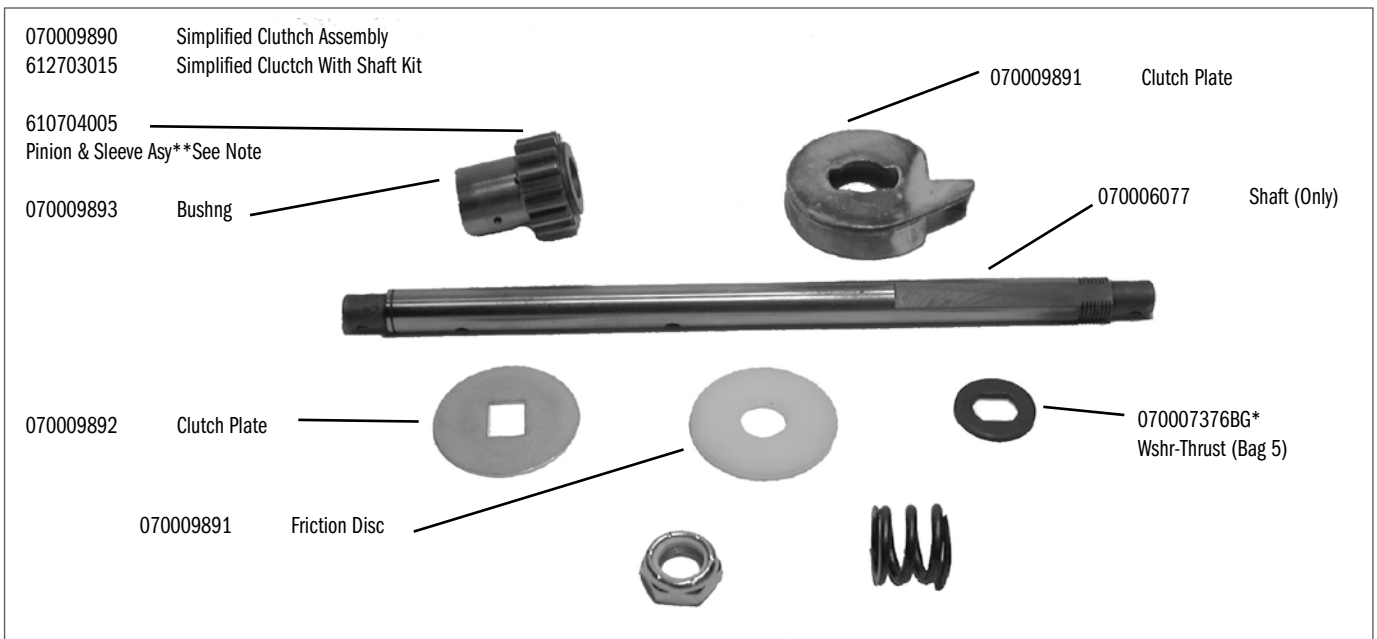
## DISTRIBUTOR DRIVE SHAFT ASSEMBLY



ITEM	PART NUMBER	DESCRIPTION
1	000 022 369	Drive Shaft-LH (Even)
2	000 022 717	Pin-Drive Shaft
3	000 024 892	Retainer-Ball
4	000 024 893	Drive Shaft Assembly-LH 82/70 (Even)
5	000 026 461BG	Brg Uniball .25 X .687 (Bag 2)
6	000 027 390	Dist Drive Housing
7	000 029 073BG	Washer (Bag 10)
8	070 006 101	Drive Shaft-RH (Odd)

ITEM	PART NUMBER	DESCRIPTION
9	070 006 102	Drive Shaft Assembly-RH 82/70 (Odd)
10	070 007 586	U Joint- Steel
11	807 358 060BG	Screw-Stso 5/16-24 X 3/8 K (Bag 10)
12	913 423 120BG	Pin Spring .125 X 3/4 (Bag 10)
13	913 437 120BG	Pin Spring .187 X 3/4 (Bag 10)

## SIMPLIFIED CLUTCH ASSEMBLY









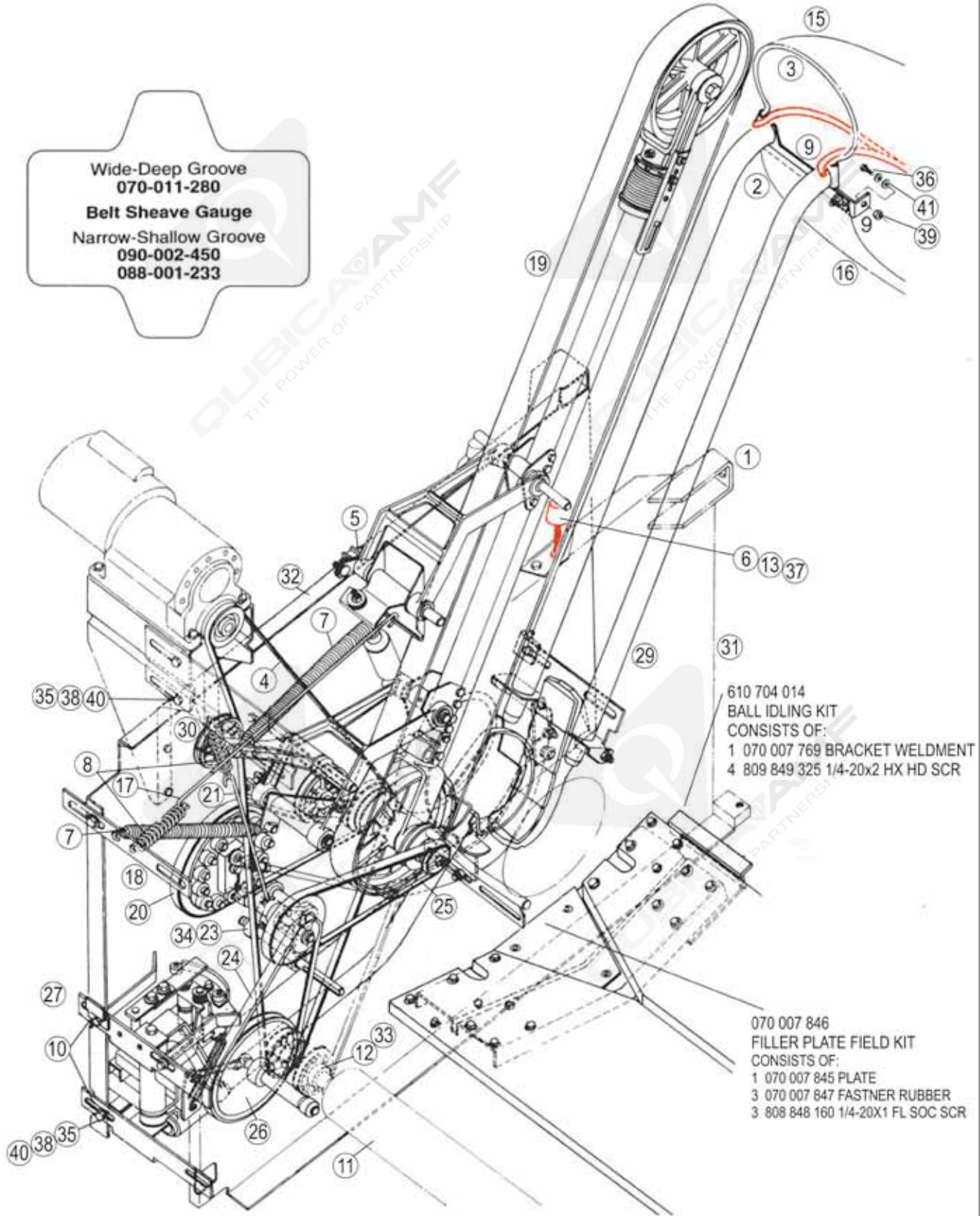
**QUBICA AMF**  
**BALL LIFT**



Wide-Deep Groove  
070-011-280  
Belt Sheave Gauge  
Narrow-Shallow Groove  
090-002-450  
088-001-233

**DUBICAMF**  
THE POWER OF PARTNERSHIP

**DUBICAMF**  
THE POWER OF PARTNERSHIP



610 704 014  
BALL IDLING KIT  
CONSISTS OF:  
1 070 007 769 BRACKET WELDMENT  
4 809 849 325 1/4-20x2 HX HD SCR

070 007 846  
FILLER PLATE FIELD KIT  
CONSISTS OF:  
1 070 007 845 PLATE  
3 070 007 847 FASTNER RUBBER  
3 808 848 160 1/4-20X1 FL SOC SCR

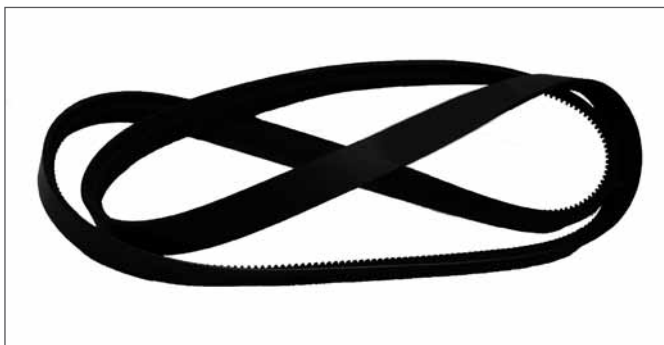
**POSITIVE BALL LIFT**

ITEM	PART NUMBER	DESCRIPTION
1	000 021 792	Washer Frame
2	000 021 813	Wiper Support
3	000 021 814	Ring
4	000 022 099	Belt V-Pitch Lt 1133 A112
5	000 024 610	Stud Clamp
6	000 024 641	Stop Bumper
7	000 024 673	Spring Dist
8	000 026 031	Spring
9	000 029 629	Track Weld Downsweep
10	000 029 910	Shim-3/8 Slot X 1 1/8 Od
11	070 002 034	Roller Assembly Rear
12	070 002 097	Sheave Carpet Drive
13	070 004 642	Brkt Stop Ball Lift
14	070 004 654	Brkt Track Support
15	070 004 669	Cloth Ball Wiper
16	070 004 670	Dust Trap
17	070 011 034	Extension Rod
18	070 011 035	Strap
19	070 011 052	Ball Lift Assembly
20	070 011 064	V-Belt Gates #1450
21	070 011 106	Spring Extension
22	070 011 120	Light Ball Sensor Assembly
23	070 011 132	Belt Tensioner Assembly
24	070 011 147	V-Belt Gates #1380
25	070 011 148	V-BELT #1400
26	070 011 178	Crank Assembly
27	070 011 310	Supt Be Mtr Guard

ITEM	PART NUMBER	DESCRIPTION
28	070 011 401	Guard Weld
29	070 011 414	Track Rail Assembly Pbl
30	070 011 810	Belt Tightner Pbl
31	090 004 126	Kickback RH/RH
32	090 004 129	Kickback LH/LH
33	806 265 160BG	Screw-Stsq 3/8-16 X 1 Cp (Bag 10)
34	807 265 060	3/8-3/16 X 3/8 Socket Set,Cup Pt
35	809 857 165BG	Screw-Hex 5/16-18 X 1 (Bag 10)
36	809 865 285	Screw-Hex 3/8-16 X 1 3/4
37	835 558 002BG	Nut-Hex-Jam 5/16 -24 (Bag 10)
38	844 057 002BG	5/16-18 Stover Locknut (Bag 10)
39	844 065 002BG	Nut-Strv 3/8-16 (Bag 10)
40	948 761 112BG	5/16 Wrought Washer (Bag 10)
41	948 767 132BG	Washer 13/32 X 13/16 X 1/16 (Bag 10)
Not Shown		
	070 011 005	Steel Door Ring LH (Even)
	070 011 006	Steel Door Ring RH (Odd)
	070 011 641	Urethane Door Ring LH (Even)
	070 011 642	Urethane Door Ring RH (Odd)
	610 088 086	PBL Mini Kit (with Adj Drive Link)
	610 088 087	PBL Full Kit (with LBS)
	610 704 098	Pbl Template & Drill Bits (Purchase One For Entire Center When Converting To Pbl Full Or Pbl Mini)
	612 070 013	Ball Lift Pressure Kit

\* Kit includes: Plate - 070 011 832, Turn Buckle - 730 058 091, Chain - 705 890 108, Spring - 000 021 204, Strap - 070 011 035, Jam Nut - 835 565 002.  
 \*\* The PBL Plus does not include a Light Ball Sensor.

**GRIPPER BALL LIFT BELT**



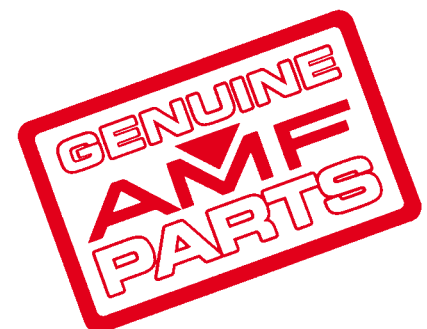
**Features:**

- The best belt for heavy lane oil conditions, oil resistant
- Traditional Gates Rubber belt strength
- Cogged V-Guide improves tracking , flexibility, and service life
- Works with all PBL and Kicker "Shallow-Narrow" lifts
- Easy to clean - just use a damp rag with diluted lane cleaner
- Superior materials and engineering throughout

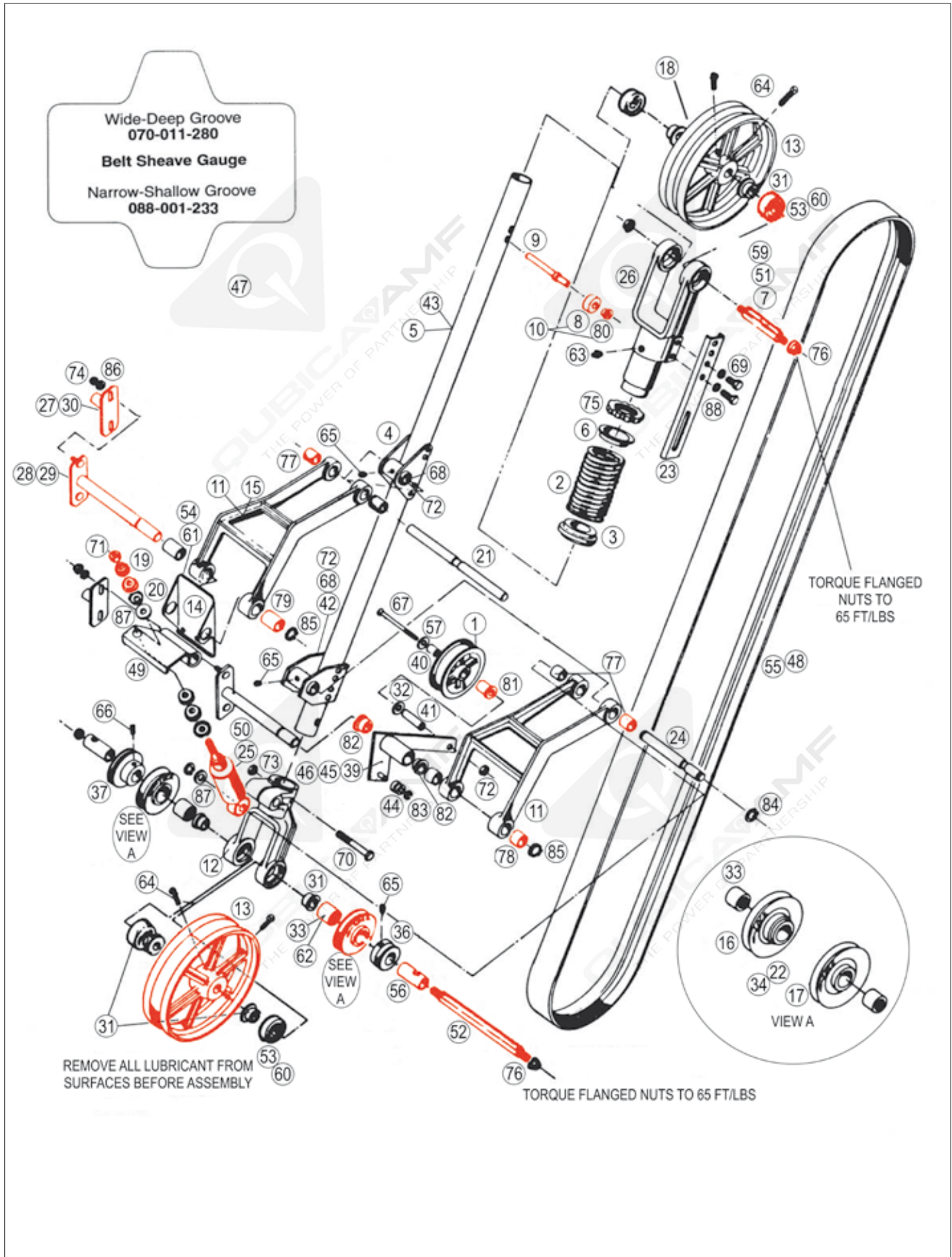
**Product Code 088001233**

**SPECIAL TOOLS - BALL LIFT**

- 792505005 Spring Puller**
- 793511045 Spanner Wrench**
- 792514040 Ball Lift Bearing Installation Tool**
- 792514041 Ball Lift Bearing Removal Tool**



# BALL BEARING ASSEMBLY



**BALL LIFT ASSEMBLY**

ITEM	PART NUMBER	DESCRIPTION
1	000 021 408	Idler Pulley Asm
2	000 024 603	Spring Comp. Ball Lift
3	000 024 605	Retainer Lower
4	000 024 606	Support
5	000 024 607	Tube
6	000 024 608	Retainer Upper
7	000 024 645	Upper Shaft
8	000 024 647	Roller
9	000 024 648	Pin Pivot
10	000 024 650	Roller Assembly
11	000 024 651	Link Assembly
12	000 024 659	Yoke Lower
13	000 024 661	Pulley
14	000 024 716	Spring Holder
15	000 024 720	Link Assembly Upper
16	000 024 811	Pulley Assembly RH 5" (Odd)
17	000 024 812	Pulley Assembly LH 5" (Even)
18	000 027 642	Washer
19	000 027 998	Retainer
20	000 028 057	Retainer Cush Guide
21	000 028 737	Shaft
22	000 028 771	Sheave 4 1/4"
23	000 029 613	Rail
24	000 029 660	Shaft
25	000 029 661	Shock Absorber
26	070 001 995	Yoke Assembly w/ Bearing Nut
27	070 006 320	Shaft Assy Adj 9 1/2" To 11" Spacing
28	070 006 325	Shaft Assy Fixed 9 1/2" To 11" Spacing
29	070 006 328	Shaft Assy Fixed 11" To 12 5/8" Spacing
30	070 006 329	Shaft Assy Adj 11" To 12 5/8" Spacing
31	070 006 748	Spacer
32	070 007 192BG	Washer Respot Cell Assy (Bag 10)
33	070 007 291	Bearing Cl .9995 X 1.312 X 1
34	070 008 204	Sheave 3 1/2"
35	070 008 205	Sheave Assembly Ball Lift
36	070 008 210	Sheave
37	070 008 211	Sheave
38	070 008 212	Spacer
39	070 008 215	Belt Tightener Weld
40	070 008 217	Spacer
41	070 008 218	Spacer
42	070 011 002	Support
43	070 011 004	Tube & Support Assembly
44	070 011 040BG	Roller Ratchet (Bag 10)
45	070 011 041	Belt Tightener Bracket Assy
46	070 011 042	Belt Tightner Assy
47	070 011 052	Ball Lift Assembly
48	070 011 280	Liftbelt For Wide Deep Groove

ITEM	PART NUMBER	DESCRIPTION
49	070 011 289	Bracket Shock Absorber
50	070 011 323	Shock Absorber Assembly
51	070 011 795	Shaft Upper D
52	070 011 796	Shaft Lower D
53	070 011 797	Bearing Ball D Bore
54	070 011 832	Pressure Plate For Ball Lift
55	088 001 233	Gripper Ball Lift Belt- (Narrow Shallow Groove)
56	090 003 401	Clutch Race With Slot
57	146 005 277	Washer
58	610 900 709	Straight Shaft & Spacer Kit Lower
59	610 900 711	Straight Shaft & Spacer Kit Upper
60	610 905 704	Straight Bore Bearing & Spacer Kit
61	612 070 013	Ball Lift Pressure Kit
62	700 107 170	Adhesve-Loctite 609
63	710 501 007	Fitting-Almte 1792B
64	806 265 160BG	Scr-Stsq 3/8-16 X 1 Cp (Bag 10)
65	807 265 060	3/8-3/16 X 3/8 Socket Set, Cup Pt
66	807 265 080	Scr-Stsq3/8-16 X 1/2 Cp (Bag 10)
67	808 849 565BG	Screw Fl Soc Hd Cap Bag (10)
68	809 849 365BG	Scr-Hx 1/4-20 X 2 1/4 (Bag 10)
69	809 865 165BG	Screw 3/8-16 X 1 (Bag 10)
70	809 865 445BG	Scr-Hx 3/8-16 X 2 3/4 (Bag 10)
71	831 566 002BG	Nut-Hex 3/8-24 (Bag 10)
72	839 549 002BG	Nut-Flx-Tk 1/4-20 Ht (Bag 10)
73	839 665 002BG	Nut-Flx 3/8-16 (Bag 10)
74	840 057 002BG	Nut-Flex Thin 5/16-18 (Bag 10)
75	845 100 000BG	Nut-Lock-Bearing N-10 (Bag 10)
76	856 070 002BG	Nut-Flanged 7/16-20 (Bag 10)
77	900 110 121BG	Brg Sl .628 X 3/4 Lg (Bag 5)
78	900 112 161BG	Brg Sl .753 X 1 (Bag 5)
79	900 112 203BG	Brg Sl .753 X 1 x 1 1/4-Brnz (Bag 5)
80	900 206 081BG	Brg Fl .378 X .688 X 1/2 (Bag 5)
81	900 208 161BG	Brg Fl .503 X .875 Bag(5)
82	900 212 161BG	Brg Fl .753 X 1.003 X 1 Bag(5)
83	919 005 200BG	Ring-Ret. 5100-31 (Bag 10)
84	919 005 600BG	Ring-Ret. 5100-62 (Bag 10)
85	919 005 800BG	Ring-Ret. 5100-75 (Bag 10)
86	948 761 112BG	Washer 11/32 X 11/16 X 1/16 (Bag 10)
87	948 983 212BG	Wshr-21/32 X 1 5/16 (Bag 10)
88	951 164 002BG	Wshr-Lk-Split 3/8 (Bag 10)
Not Shown	950 001 008	Spacer

\* 9-1/2"=241.30 MM, 11"=279.40 MM, 12-5/8=320.68 MM, 14"=355.6 MM, 3-1/2=88.9 MM, 4-1/4"=107.95 MM.

\*\* Refer to view that matches your Ball Lift Assembly for item numbers.

Adjustable Ball Lift Support Shafts (Items 27 thru 30) are provided to allow alignment of the Ball Lift to the track rails.

Adjustment is required when the Shaft Supports on the metal Kickback Assemblies are not aligned.

Alignment is achieved by turning plates on the Support Shaft Assemblies until the plates are parallel to the direction of offset. (See view A).

Note: Optional Replacement Kit for 070 011 796 is 610 900 708 - D Bore Shaft & Bearing Kit Lower (2 Bearings / 1 Shaft / 2 Spacers).

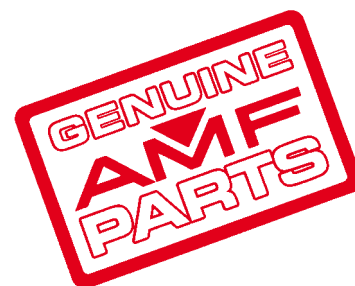
Optional Replacement Kit for 070 011 795 is 610 900 714 - D Bore Shaft & Bearing Kit Upper (2 Bearings / 1 Shaft / 2 Spacers).

Optional Replacement Kit for 070 011 797 is 610 905 703 - D Bore Bearing & Spacer Kit (1 Bearing / 1 Spacer).

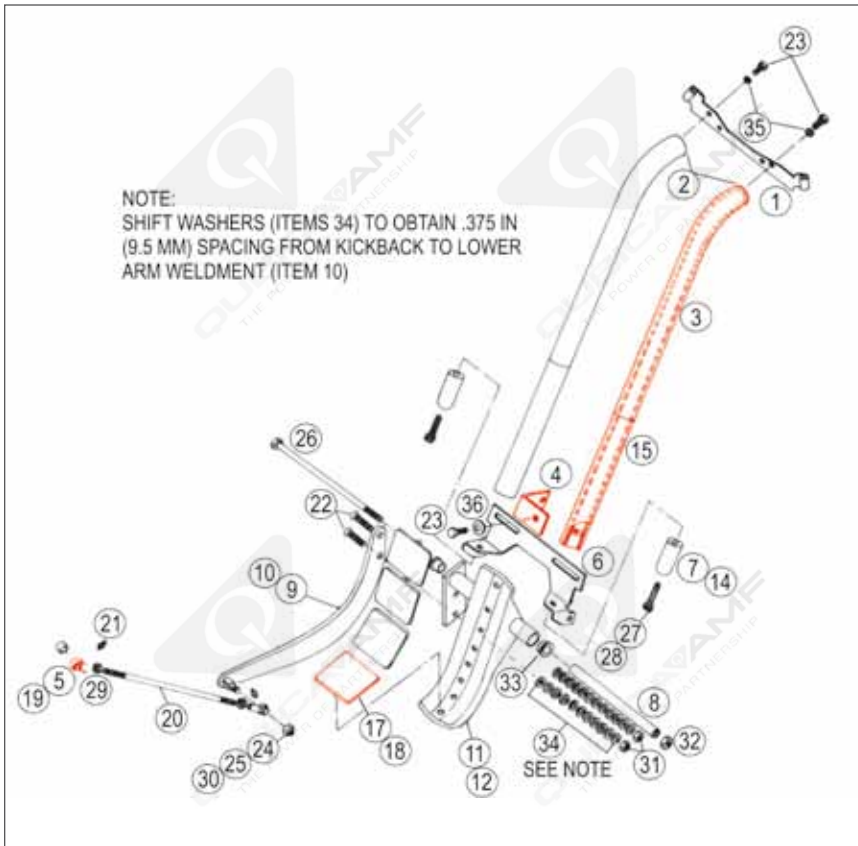
Direct Replacement for 070 006 746 is 610 900 709 - Straight Bore Shaft & Spacer Kit Lower (2 Bearings / 1 Shaft / 2 Spacers).

Direct Replacement for 070 006 747 is 610 900 711 - Straight Bore Shaft & Spacer Kit Upper (2 Bearings / 1 Shaft / 2 Spacers).

Direct Replacement for 070 006 699 is 610 905 704 - Straight Bore Bearing & Spacer Kit (1 Bearing / 1 Spacer).



# TRACK RAIL ASSEMBLY



## GRIPPER KIT & GRIPPER REPLACEMENT PARTS

Gripper PBL kit  
**Product Code 610049510**

Thimble  
**Product Code 088001230**

Clear Rail Cover (Lower)\*\*  
**Product Code 088001231**

Black Rail Cover (Upper)  
**Product Code 088001232**

Ball Lift Belt  
**Product Code 088001233**

Adjustable Lift Support  
**Product Code 000024606**

## TRACK RAIL ASSEMBLY

ITEM	PART NUMBER	DESCRIPTION
1	000 021 813	Wiper Support
2	000 024 663	Cover Track Upper
3	000 024 666	Track Rail Weld
4	000 024 668	Track Support Bracket
5	000 026 446	Rod End
6	070 008 191	Brkt Ball Lift
7	070 011 018	Ball Guide
8	070 011 063	Shaft
9	070 011 218	Arm Lever Weldment
10	070 011 375	Lever Arm Assembly-Std
11	070 011 411	Weld Lift Arm Track Assembly
12	070 011 413	Lift Assembly-Trk Assembly Pbl
13	070 011 440	Track Cover Lower
14	088 001 230	Thimble
15	088 001 231	Clear Rail Cover
16	088 001 232	Black Rail Cover
17	088 005 505	Stick N Slick Cup Liner
18	090 002 024	Liner
19	090 005 250	Rod End

ITEM	PART NUMBER	DESCRIPTION
20	090 005 259	Rod Assy
21	710 502 010	Fittng-Heim Lu640
22	808 857 280BG	Screw Fsh 5/16-18 X 1 3/4 (Bag 10)
23	809 865 165BG	Screw-Hex 3/8-16 X 1 (Bag 10)
24	809 865 205BG	Screw-Hex 3/8-16 X 1 1/4 (Bag 10)
25	809 865 325BG	Screw-Hex 3/8-16 X 2 (Bag 10)
26	809 865 992BG	Screw Hexhdcp 3/8-16 X 9 (Bag 10)
27	810 265 400BG	Screw-Schd 3/8-16 X 2 1/2 (Bag 10)
28	810 365 401BG	Screw-Shc Lk 3/8-16 X 2 1/2 (Bag 10)
29	835 566 002	3/8-24 Hex Stl Thin Nut
30	838 866 002BG	Nut-Hex-Esn-Tn 3/8-24 (Bag 10)
31	844 057 002BG	5/16-18 Stover Locknut (Bag 10)
32	844 065 002BG	Nut-Stvr 3/8-16 (Bag 10)
33	900 210 161BG	Bearing Fl Bz .628 X 1 (Bag 5)
34	948 767 132BG	Washer 13/32 X 13/16 X 1/16 (Bag 10)
35	951 164 002BG	Washer-Lk-Split 3/8 (Bag 10)
36	958 584 002	Washer-Shkprf

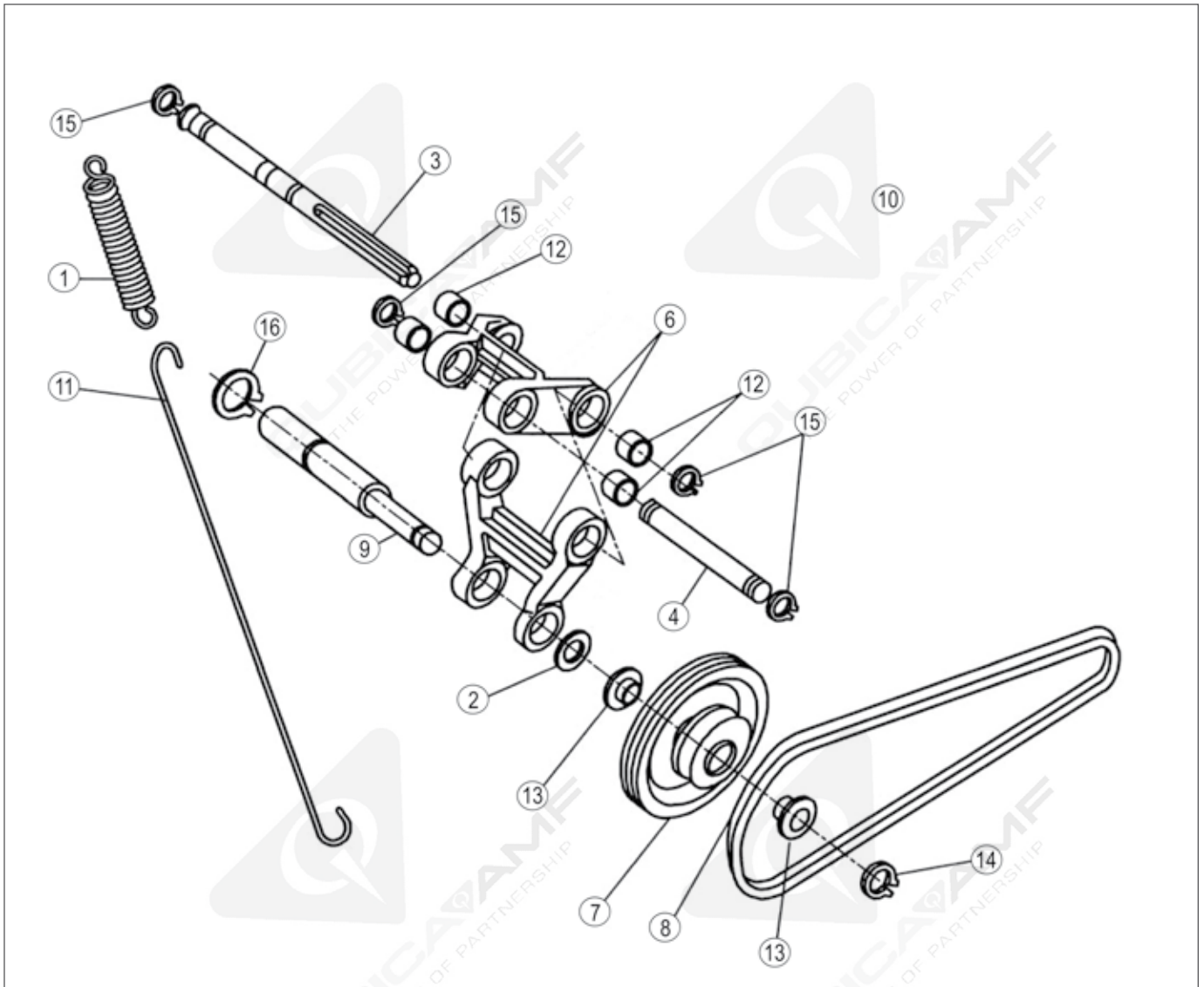
\* Order 070 011 218 - Lever Arm and 838 866 002 - Hex Nut x 2.

Note: In some older installations the Track Tube Assemblies may require fine thread bolts listed below as substitutes: Substitute 23-809866165 Screw, hex head 3/8-24-1; substitute 810-366-401 Soc.

Head Cap Long Loc 3/8-24 x 2 1/2; Items 24 or 25 are replaced by an ESNA Nut after 1-78; Part #838-866-002-Nut, ESNA Hex Thin 3/8-24 Item 30

\*\* 088001230 Thimble must be used when installing 088001231, Clear Rail Cover.

# PBL BELT TENSIONER ASSEMBLY - NEW VERSION

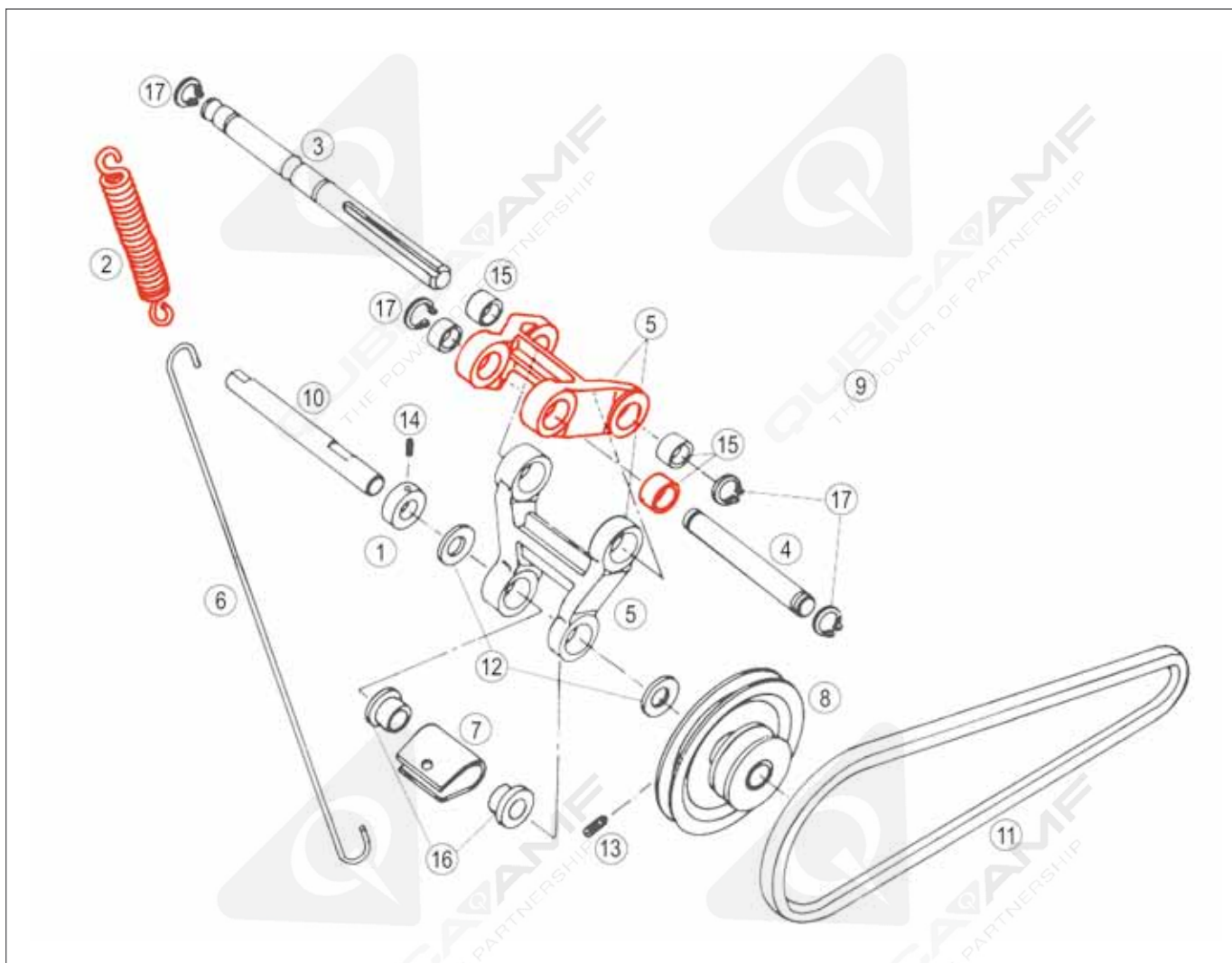


## PBL BELT TENSIONER ASSEMBLY - NEW VERSION

ITEM	PART NUMBER	DESCRIPTION
1	000 026 031	Spring
2	000 027 264	Spacer
3	000 029 605	Shaft Pivot
4	000 029 606	Shaft Pivot Short
6	000 029 659	Hanger Arm Assy
7	070 011 131	Pulley Weld
8	070 011 148	V Belt
9	090 002 014	Shaft
10	090 002 015	Belt Tensioner Assembly

ITEM	PART NUMBER	DESCRIPTION
11	090 002 016	Extension Spring
12	900 110 081BG	Bearing Sl .628 X .878 X 1/2 (Bag 10)
13	900 208 120	Bearing-Flange
14	919 005 500BG	Ring-Ret .5100-50 (Bag 10)
15	919 005 600BG	Ring-Ret .5100-62 (Bag 10)
16	919 005 900BG	Ring-Ret .5100-87 (Bag 10)

# BELT TENSIONER ASSEMBLY - OLD VERSION



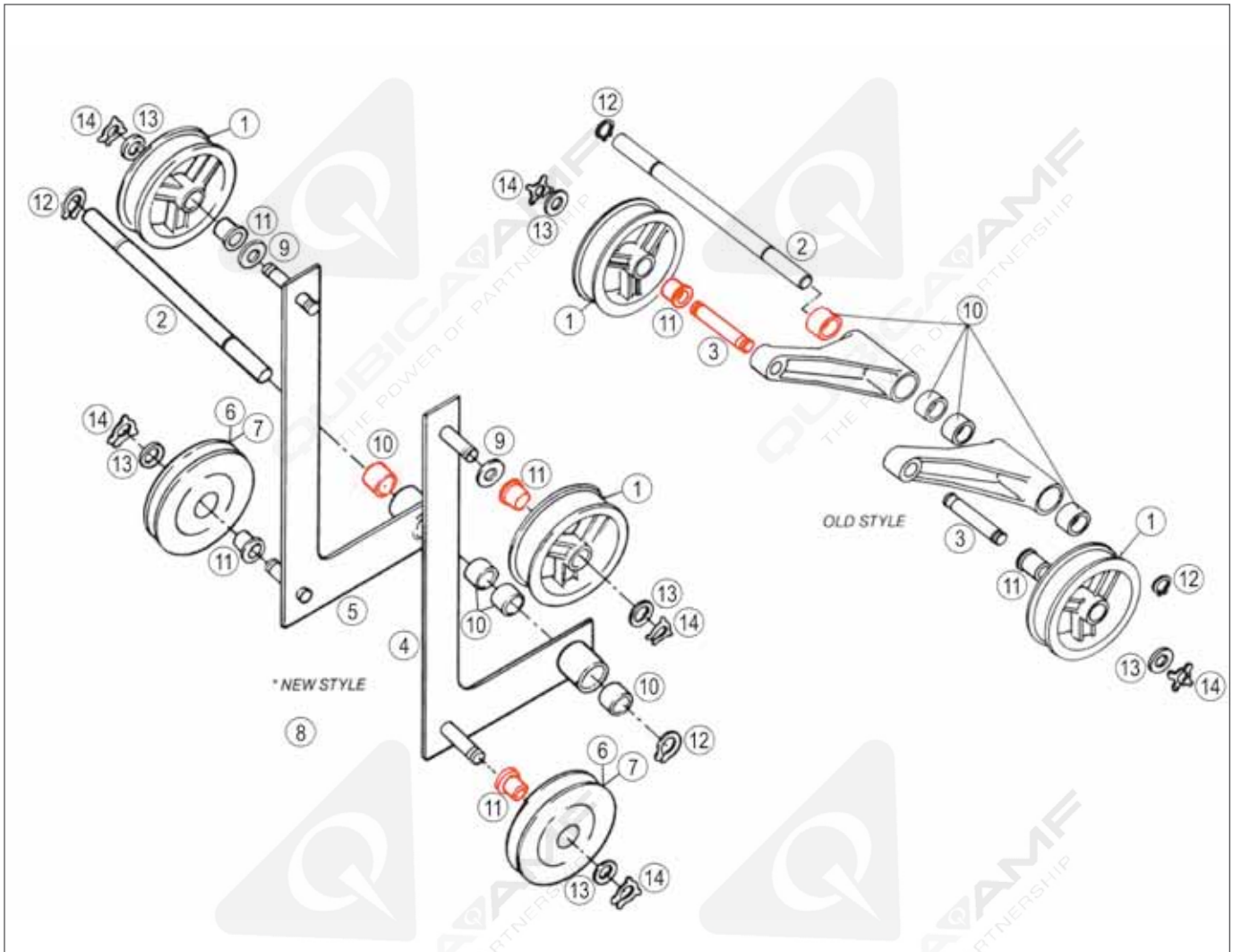
## BELT TENSIONER ASSEMBLY - OLD VERSION

ITEM	PART NUMBER	DESCRIPTION
1	000 021 423	Collar 5/8 X 1 1/8 X 1/2
2	000 026 031	Spring
3	000 029 605	Shaft Pivot
4	000 029 606	Shaft Pivot Short
5	000 029 659	Hanger Arm Assy
6	070 011 106	Spring Extension
7	070 011 109	Spring Clip
8	070 011 131	Pulley Weld
9	070 011 132	Belt Tensioner Assembly
10	070 011 133	Shaft
11	070 011 148	V Belt

ITEM	PART NUMBER	DESCRIPTION
12	701 320 045BG	Bearing Th .628 X 1 X 1/8 (Bag 10)
13	807 257 060BG	Screw Stcp 5/16-18 X 3/8 (Bag 10)
14	807 357 040BG	Screw-Stso5/16-18 X 1/4 K (Bag 10)
15	900 110 081BG	Bearing Sl .628 X .878 X 1/2 (Bag 5)
16	900 210 101BG	Bearing Fl Bz .628 X 5/8 (Bag 5)
17	919 005 600BG	Ring-Ret. 5100-62 (Bag 10)



# BELT TIGHTENER ASSEMBLY



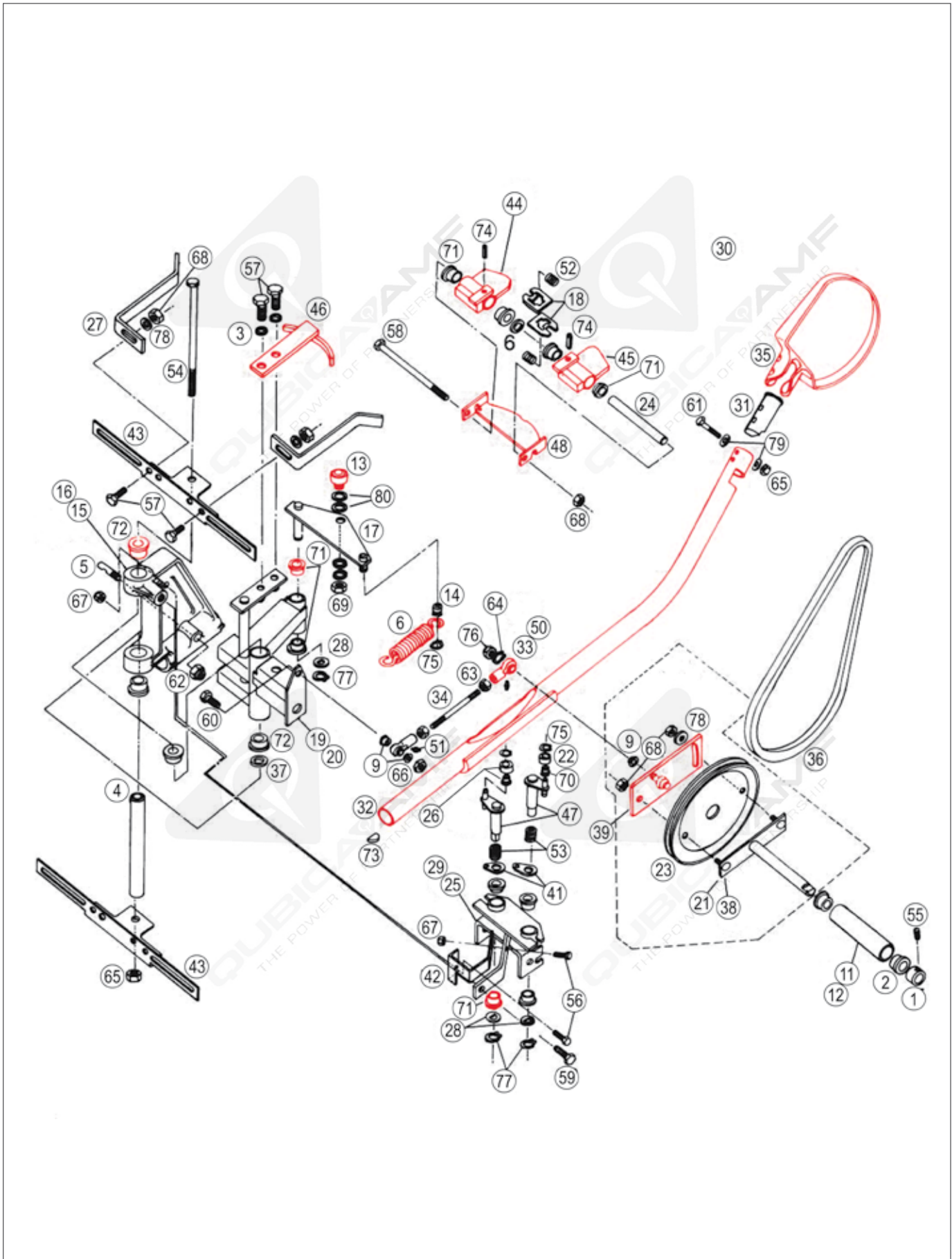
## BELT TIGHTENER ASSEMBLY

ITEM	PART NUMBER	DESCRIPTION
1	000 021 408	Idler Pulley Asm
2	000 029 603	Shaft
3	070 002 072	Shaft Idler
4	070 011 523	Belt Tightener Assy R
5	070 011 524	Belt Tightener Assy L
6	070 011 525	Idler Sheave Assembly
7	070 011 526	Idler Sheave Belt Tightener
8	070 011 810	Belt Tightner Pbl

ITEM	PART NUMBER	DESCRIPTION
9	701 316 041BG	Bearing Th .5100 X 1 X 1/16 (Bag 10)
10	900 112 121	Bearing Sl .753 X 3/4 Lg
11	900 208 161BG	Bearing Fl .503 X .875 X 1 (Bag 5)
12	919 005 800BG	Ring-Ret. 5100-75 (Bag 10)
13	948 975 172BG	1/2 Uss Wrought Washer Type A (Bag 10)
14	963 600 002BG	Washer-X 1/4 9000-16 (Bag 10)

\* New style first used on Serial No. 151326

# LIGHT BALL SENSOR ASSEMBLY

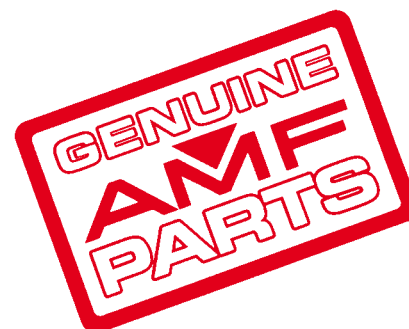


## LIGHT BALL SENSOR ASSEMBLY

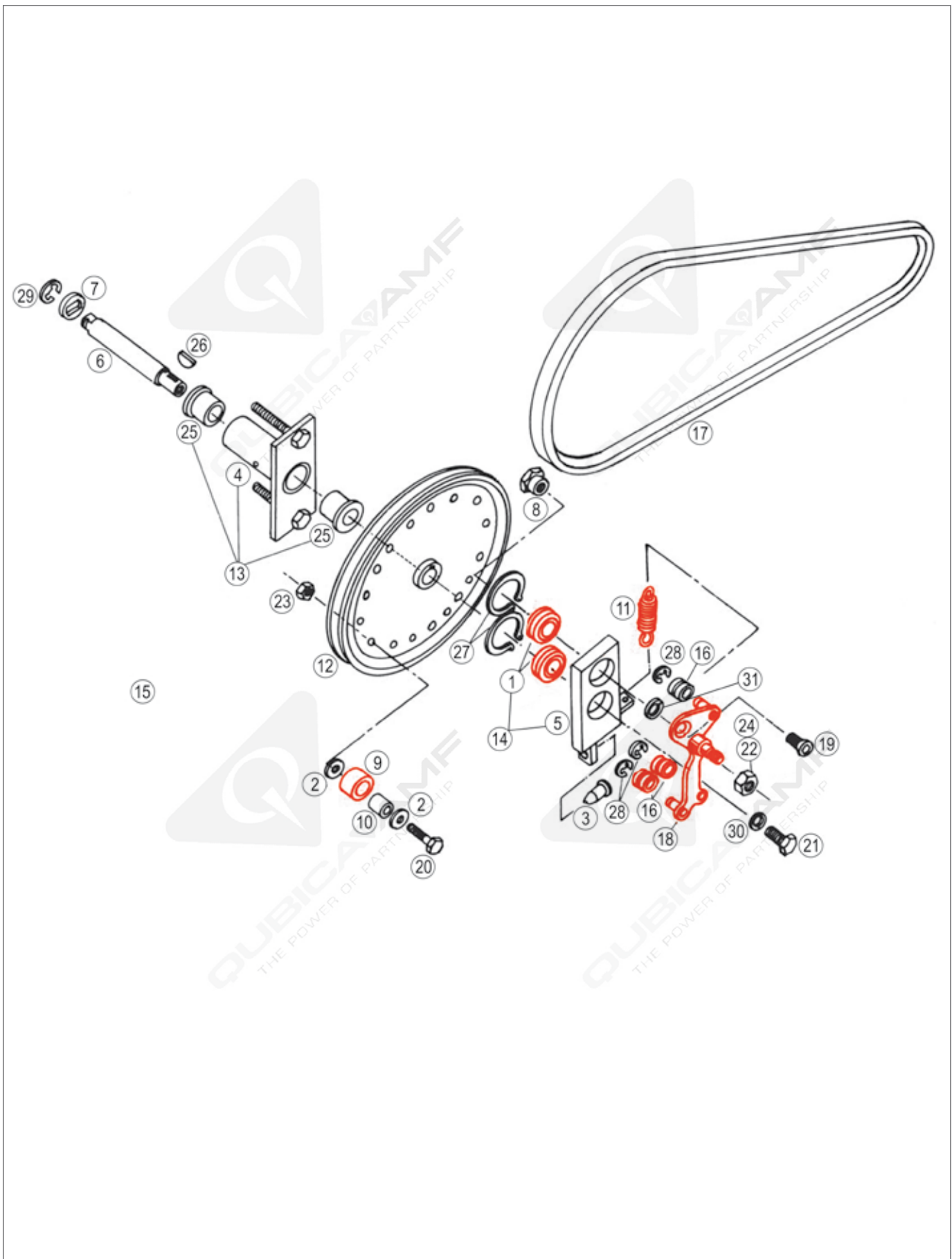
ITEM	PART NUMBER	DESCRIPTION
1	000 021 423	Collar 5/8 X 1 1/8 X 1/2
2	000 021 427	Bearing Fl .629 X .878 X 1/8
3	000 022 869BG	Washer (Bag 10)
4	000 024 615	Shaft
5	000 024 616	Clamp Stud
6	000 026 031	Spring
7	000 026 446	Rod End
8	000 027 264	Spacer
9	000 029 611BG	Unibal Bearing Washer (Bag 10)
11	000 029 696	Tube Adjustment Assembly
12	000 029 697	Tube-Adjustment
13	070 006 728	Cam Follower
14	070 011 040BG	Roller-Ratchet Arm (Bag 10)
15	070 011 066	Rudder Arm Supt Assy
16	070 011 067	Rudder Arm Supt
17	070 011 068	Link Weld
18	070 011 077	Trip Finger
19	070 011 079	Rudder Drive Weld
20	070 011 080	Rudder Drive Assembly
21	070 011 092	Crank Shaft Weld
22	070 011 096	Roller
23	070 011 097	Crank Pulley
24	070 011 098	Sleeve
25	070 011 100	Cam Sensor Weld
26	070 011 105	Roller Assembly
27	070 011 107	Trip Arm
28	070 011 108	Washer
29	070 011 110	Cam Sensor Assembly
30	070 011 120	Light Ball Sensor Asy
31	070 011 121	Plug
32	070 011 122	Rudder Arm
33	070 011 123	Rod Assembly
34	070 011 124	Rod
35	070 011 146	Paddle
36	070 011 147	V-Belt Gates #1380
37	070 011 151	Spacer
38	070 011 178	Crank Assembly
39	070 011 225	Weld-Crank Adj Plate
41	070 011 273	Tab
42	070 011 299	Brace-Sensor
43	070 011 319	Support-Rudder Arm

ITEM	PART NUMBER	DESCRIPTION
44	070 011 406	Rudder Cam Assembly RH (Even)
45	070 011 407	Rudder Cam Assembly LH (Odd)
46	070 011 418	Trip-Cam
47	070 011 626	Trip Arm Assembly
48	070011099P	Cam Painted
49	090 005 250	Rod End
50	090 005 258	Rod Assy
51	710 502 010	Fittng-Heim Lu640
52	722 971 522	Sprng-Comp .480D X 7/8
53	722 985 512	Spring-Compression
54	802 865 996BG	Screw-Hhc 3/8-16 X 9 1/2 (Bag 10)
55	807 357 040BG	Screw-Stso 5/16-18 X 1/4 (Bag 10)
56	809 849 145BG	Screw-Hex 1/4-20 X 7/8 (Bag 10)
57	809 857 165BG	Screw-Hex 5/16-18 X 1 (Bag 10)
58	809 857 880BG	Screw-Hex 5/16-18 X 5 1/2 (Bag 10)
59	809 865 165BG	Screw-Hex 3/8-16 X 1 (Bag 10)
60	809 865 205BG	Screw-Hex 3/8-16 X 1 1/4 (Bag 10)
61	809 865 405BG	Screw-Hex 3/8-16 X 2 1/2 (Bag 10)
62	831 573 002BG	Nut-Std Hex 1/2-13 (Bag 10)
63	835 566 002	3/8-24 Hex Stl Thin Nut
64	838 866 002BG	Nut-Hex-Esn-Tn 3/8-24 (Bag 10)
65	839 565 002BG	3/8-16 Hex Nylon Lock Nut (Bag 10)
66	840 065 002BG	Nut-Flx-Tn 3/8-16 (Bag 10)
67	844 049 002BG	1/4-20 Lock Nut (Bag 10)
68	844 057 002BG	5/16-18 Stover Locknut (Bag 10)
69	844 070 002BG	Nut-Stvr-Lk 7/16-20 (Bag 10)
70	900 205 081BG	Bearing Fl .315 X .44 X 1/2 Lg (Bag 5)
71	900 208 091BG	Brg Fl .503 X .690 X 9/16 Bag(5)
72	900 212 201BG	Bearing Fl .753 X 1 X 1.25 (Bag 5)
73	907 000 900BG	Key-Hy Pro 910 (Bag 10)
74	913 448 120BG	Pin-Sprng .250 X 3/4 (Bag 10)
75	919 005 200BG	Ring-Ret. 5100-31 (Bag 10)
76	919 005 300BG	Ring-Ret. 5100-37 (Bag 10)
77	919 005 500BG	Ring-Ret. 5100-50 (Bag 10)
78	948 761 112BG	5/16 Wrought Washer (Bag 10)
79	948 767 132BG	Washer 13/32 X 13/16 X 1/16 (Bag 10)
80	949 100 002BG	Washer 59/64 X 15/32 (Bag 10)

\* Retaining ring and spacer in this application only replaced by item 64 in January 1978



# RATCHET ASSEMBLY



## RATCHET ASSEMBLY

ITEM	PART NUMBER	DESCRIPTION
1	000 024 679	Bearing Bl .625 X 1.375
2	000 026 865BG	Washer (Bag 10)
3	070 006 142BG	Bumper (Bag 10)
4	070 011 009	Housing Weldment
5	070 011 013	Crank Weldment
6	070 011 027	Shaft
7	070 011 028BG	Washer (Bag 10)
8	070 011 029	Nut
9	070 011 030BG	Roller (Bag 10)
10	070 011 031BG	Spacer (Bag 10)
11	070 011 032	Spring
12	070 011 033	Pulley-Ratchet
13	070 011 036	Bearing & Housing Assembly
14	070 011 037	Crank Assembly
15	070 011 039	Ratchet Assembly
16	070 011 040BG	Roller-Ratchet Arm (Bag 10)
17	070 011 064	V-Belt Gates #1450
18	070 011 217	Weld-Ratchet Arm Ball Lift
19	808 865 140BG	Screw-Sofl 3/8-16 X 7/8 (Bag 10)
20	809 849 205BG	1/4-20 X 1 1/4 Machine Screw (Bag 10)

ITEM	PART NUMBER	DESCRIPTION
21	809 965 125BG	Screw-Hexplk 3/8-16 X 3/4
22	838 866 002BG	Nut-Hex-Esn-Tn 3/8-24 (Bag 10)
23	839 549 002BG	Nut-Fix-Tk 1/4-20 Ht (Bag 10)
24	844 065 002BG	Nut-Stvr 3/8-16 (Bag 10)
25	900 212 161BG	Bearing Fl .753 X 1.003 X 1 (Bag 5)
26	907 000 200BG	Key-Hy Pro 404 (Bag 10)
27	919 000 600BG	Ring-Ret. 5000-137 (Bag 10)
28	919 005 200BG	Ring-Ret. 5100-31 (Bag 10)
29	919 005 800BG	Ring-Ret. 5100-75 (Bag 10)
30	948 767 132BG	Washer 13/32 X 13/16 X 1/16
31	948 964 142BG	Wash-Pln 3/8 X 7/8 X 3/32 (Bag 10)

Note: Items Listed Below Are Used To Mount Ratchet Drive Assembly To Side Plate But Are Not Shown

070 008 212	Spacer
844 057 002BG	5/16-18 Stover Locknut (Bag 10)

## BALL LIFT BEARING INSTALLATION & REMOVAL TOOLS



### Features:

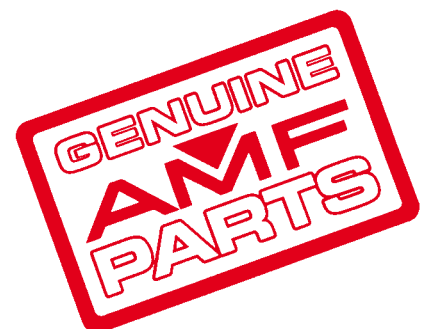
- Safely, quickly & easily service ball lift yokes
- Leave the wood blocks, vise and hammer out
- Extend service interval, spend less time performing ball lift maintenance
- Never again worry about misaligning bearings or breaking aluminum casting

### BEARING INSTALLATION TOOL

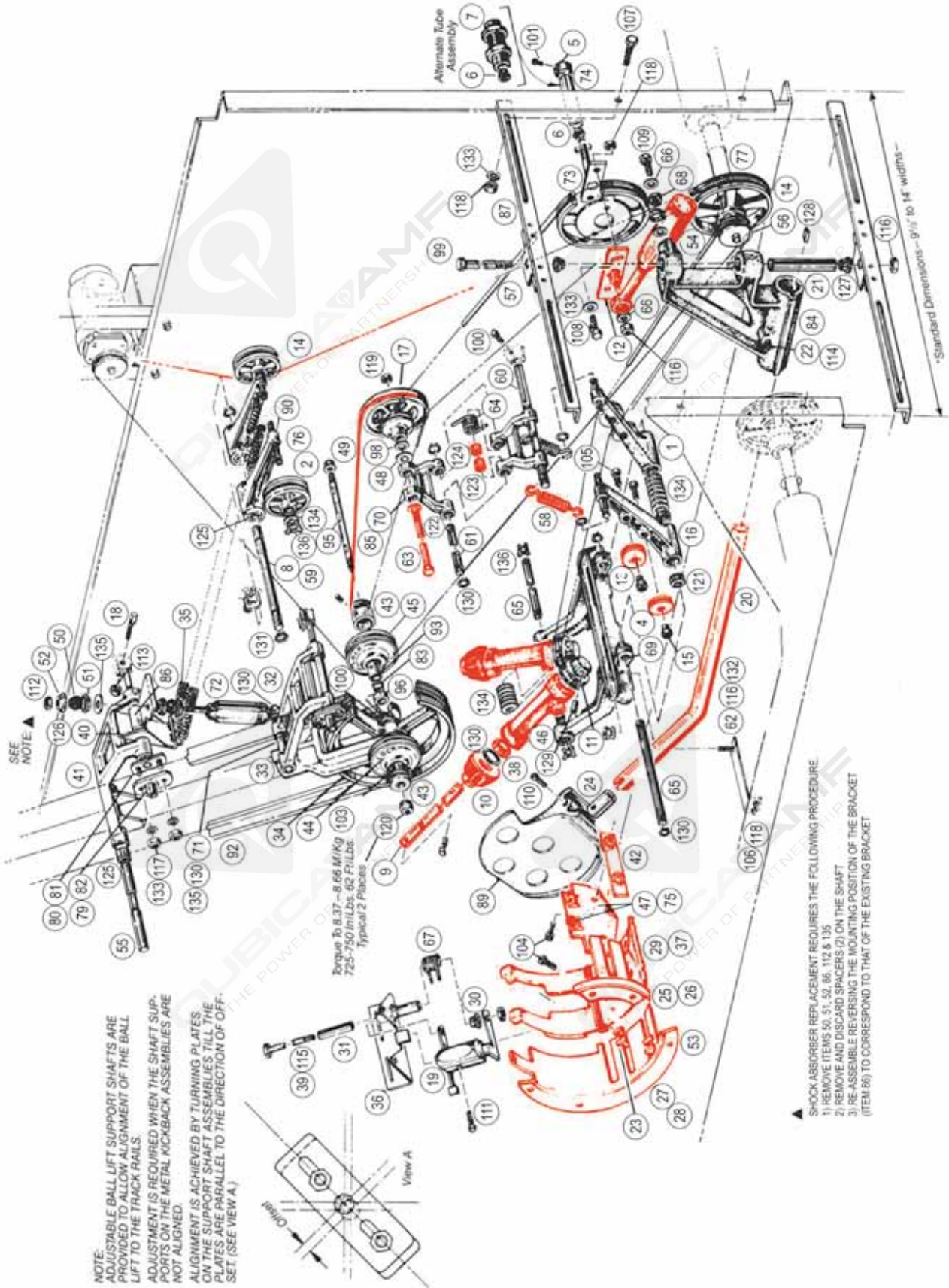
**Product Code 792514040**

### BEARING REMOVAL TOOL

**Product Code 792514041**



# KICKER BALL LIFT



KICKER BALL LIFT

ITEM	PART NUMBER	DESCRIPTION
1	000 021 407	Idler Arm Assembly RH (Odd)
2	000 021 408	Idler Pulley Asm
4	000 021 417	Idler Roller Assembly
5	000 021 423	Collar 5/8 X 1 1/8 X 1/2
6	000 021 427	Bearing Fl .629 X .878 X 1/8
7	000 021 428	Tube Adjusting Assy
8	000 021 435	Shaft Special
9	000 022 077	Roller Shaft
10	000 022 080	Rubber Roller
11	000 022 082	Pulley-Roller Drive
12	000 022 092	Crank Plate Weldment
13	000 022 096	Idler Asm Elev
14	000 022 099	Belt-V Pitch Lt 1133
15	000 022 173	Nut-Special
16	000 022 218	Idler Arm Assembly LH (Even)
17	000 024 599	Adj.Speed Sheave-Rudder Arm
18	000 024 610	Stud-Clamp
19	000 024 612	Pad-Starter
20	000 024 614	Arm-Rudder
21	000 024 615	Shaft
22	000 024 616	Clamp Stud
23	000 024 618	Nut-Carriage Assembly
24	000 024 622	Plug Rudder Arm
25	000 024 623	Segment-Rear LH (Even)
26	000 024 624	Segment-Rear RH (Odd)
27	000 024 625	Segment-Front RH (Odd)
28	000 024 626	Segment-Front LH (Even)
29	000 024 628	Pad-Rubber
30	000 024 631	Bearing Fl .752 X .877 X .151
31	000 024 634	Shaft
32	000 024 651	Link Assembly
33	000 024 659	Yoke Lower
34	000 024 661	Pulley
35	000 024 673	Spring-Dist
36	000 024 676	Brikt-Lower Track
37	000 024 678	Filler Assembly-Front
38	000 024 679	Bearing Bl .625 X 1.375
39	000 024 681	Screw-Hex Hd Cap
40	000 024 716	Spring Holder
41	000 024 720	Link Assembly Upper
42	000 024 745	Nut Plate Asm
43	000 024 806	Sheave
44	000 024 811	Pulley Assembly RH (Odd)
45	000 024 812	Pulley Assembly LH (Even)
46	000 025 621	Bearing Sl .502 X .689 X 2.495
47	000 025 638BG	Bumper Rubber-3/16 (Bag 10)
48	000 027 264	Spacer
49	000 027 710	Belt-V-36 Outside

ITEM	PART NUMBER	DESCRIPTION
50	000 027 996	Cushion-Rubber
51	000 027 998	Retainer
52	000 028 057	Retainer Cush Guide
53	000 028 362BG	Bumper-Urethane Bag(10)
54	000 028 540	Spring Loaded Drive Link Assembly
55	000 028 737	Shaft
56	000 028 865	Belt-V Pitch Lt 34 5
57	000 029 600	Belt-V-33 1/2 Out
58	000 029 601	Spring
59	000 029 603	Shaft
60	000 029 605	Shaft-Pivot
61	000 029 606	Shaft-Pivot-Short
62	000 029 607	Brikt-Ball Elev
63	000 029 608	Shaft-Sheave
64	000 029 609	Spring Torsion
65	000 029 610	Shaft-Roller Base
66	000 029 611BG	Unibal Bg Washer (Bag 10)
67	000 029 612	Spring Torsion
68	000 029 614	Heim Unibal
69	000 029 638	Base-Roller
70	000 029 659	Hanger Arm Asm
71	000 029 660	Shaft
72	000 029 661	Shock Absorber
73	000 029 695	Shaft Weld-Crank
74	000 029 696	Tube Adjustment Assembly
75	000 029 959	Pad-Filler Assembly
76	070 002 072	Shaft-Idler
77	070 002 097	Sheave-Carpet Drive
79	070 006 320	Shaft Assy Adj 9 1/2" To 11"
80	070 006 325	Spacing
81	070 006 328	Shaft Assy Fixed 9 1/2" To 11"
82	070 006 329	Spacing
83	070 006 748	Shaft Assy Fixed 11" To 12 5/8"
84	070 011 067	Spacing
85	070 011 132	Spacer
86	070 011 289	Rudder Arm Supt
87	070 011 319	Belt Tensioner Assy
88	070 011 323	Bracket Shock Absorber
89	070 011 408	Support Rudder Arm
90	070 011 523	Shock Absorber Assy
91	070 011 524	Paddle-Kicker Roller
92	088 001 233	Belt Tightener RH
93	090 003 401	Belt Tightener LH
95	610 900 709	Ball Lift Belt
		Clutch Race-With Slot
		Straight Shaft & Spacer Kit Lower

ITEM	PART NUMBER	DESCRIPTION
96	610 905 704	Straight Bore Bearing & Spacer Kit
98	701 320 045BG	Brg Th .628X 1 X 1/8 (Bag 10)
99	802 865 996BG	Scr-Hnc 3/8-16 X 9 1/2 (Bag 10)
100	806 265 160BG	Scr-Ssq 3/8-16 X 1 Cp (Bag 10)
101	807 249 040BG	Screw 1/4-20 X 1/4 Cp (Bag 10)
103	807 265 080BG	Scr-Ssq3/8-16 X 1/2Cp (Bag 10)
104	808 957 160BG	Screw 5/16-18 X 1 nylon point (Bag 10)
105	809 849 145BG	Scr-Hx 1/4-20 X 7/8 (Bag 10)
106	809 857 125BG	Scr-Hx 5/16-18 X 3/4 (Bag 10)
107	809 857 165BG	Scr-Hx 5/16-18 X 1 (Bag 10)
108	809 857 205BG	Scr-Hx 5/16-18 X 1 1/4 (Bag 10)
109	809 865 245BG	Scr-Hx 3/8-16 X 1 1/2 (Bag 10)
110	809 865 405BG	Scr-Hx 3/8-16 X 2 1/2 (Bag 10)
111	821 438 082	Screw, Hex Head Slotted (Type Ab) #10 X 1/2
112	831 566 002BG	Nut- Hex 3/8 - 24 (Bag 10)
113	835 565 002	3/8 X 16 Hex Nut - Thin
114	835 573 002BG	Nut-Hx-Jam 1/2-13 Cd (Bag 10)
115	839 549 002BG	Nut-Flx-Tk 1/4-20 Ht (Bag 10)
116	839 665 002BG	Nut-Flx 3/8-16 (Bag 10)
117	840 057 002BG	Nut-Flex Thin 5/16-18 (Bag 10)
118	844 057 002BG	Nut-Stvr Lk-5/16-18 (Bag 10)
119	844 073 002BG	Nut-Stvr-Lk 1/2-13 (Bag 10)
120	856 070 002BG	Nut-Flanged 7/16-20 (Bag 10)
121	900 108 081	Bearing Sl Bz .503 X 1/2 Lg
122	900 110 081BG	Brg Sl .628 X .878 X 1/2 (Bag 5)
123	900 110 141BG	Brg Sl .628 X .878 X 7/8 (Bag 5)
124	900 110 161BG	Bushing .625 X .857 X 1.0 (Bag 5)
125	900 112 121	Bearing Sl .753 X 3/4 Lg
126	900 112 203BG	Brg Sl .753 X 1 X 1 1/4-Bmz (Bag 5)
127	900 212 201BG	Brg Fl .753 X 1 X 1.25 Bag(5)
128	907 000 900BG	Key-Hy Pro #910 (Bag 10)
129	913 437 200	Pin-Spring .187 X 1 1/4
130	919 005 600BG	Ring-Ret. 5100-62 (Bag 10)
131	919 005 800BG	Ring-Ret. 5100-75 (Bag 10)
132	946 400 002BG	Wshr-25/64 X 23/32 (Bag 10)
133	948 761 112BG	Washer 11/32 X 11/16 X 1/16 (Bag 10)
134	948 975 172BG	Wshr-17/32 X 1 1/16 (Bag 10)
135	948 983 212BG	Wshr-21/32 X 1 5/16 (Bag 10)
136	963 600 002BG	Wshr-X 1/4 9000-16 Bag(10)

\* Order 000 024 622 - Plug Rudder Arm and 070 011 408 - Paddle-Kicker Roller.

# KICKER ROLLERS

## KICKER ROLLERS FOR EVERY CONDITION

All of AMF's Kicker Rollers, except the Grey Roller, are made of soft, abrasion-resistant urethane, which is the perfect balance of strength and resilience. All rollers include a larger hexagonal hub, which may be held with a wrench for easy installation and is less likely to strip the set-screw hole. Each kicker roller has been tested by AMF mechanics and in hi-lineage centers to ensure dependable performance.

### RED KICKER ROLLER



Features a double concave cam surface that allows the ball to fall lower and get booted into the return slot.

**Product Code**      **070011429**

### GREEN KICKER ROLLER



Offers a greater contact area that will pull the ball into the ball door.

**Product Code**      **070011636**

### GRAY KICKER ROLLER (NOT SHOWN)

With its round design, this rubber roller is best suited for less oily conditions.

**Product Code**      **000022080**

### YELLOW KICKER ROLLER



Features a single concave cam surface, giving you the advantages of the red roller but with more material for better durability.

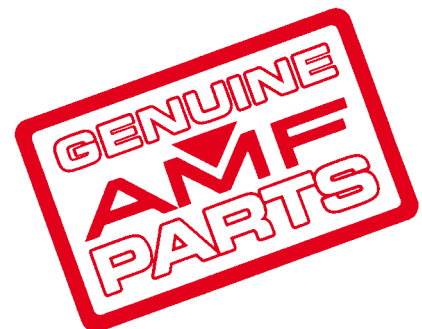
**Product Code**      **070011635**

### ORANGE KICKER ROLLER



Features a round and soft design that offers good grip.

**Product Code**      **070011435**

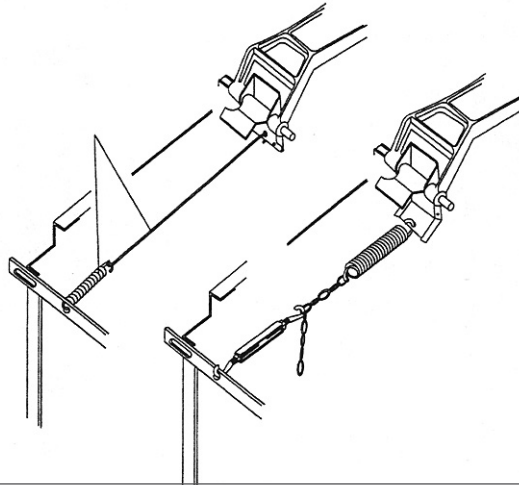




## BALL LIFT PRESSURE KIT

### ORIGINAL BALL LIFT SYSTEMS

SPRING AND CONNECTING ROD  
ARE NOT FOUND ON KICKER LIFTS



**Product Code**      **612070013**

- Can more than double the effective lifting force
- Allows for heavy lane oil conditions
- Overcomes poor lubrication
- Easily adjustable pressure
- Thicker plate eliminates problems with springs pulling out holes
- Belts and rails do not have to be cleaned to remove oil nearly as often, or maybe not at all

### Original Style Kicker Ball Lift Systems:

Uses the weight of the ball lift (approx. 40 lbs.) to create frictional forces required to lift a ball against the forces of gravity.

### Original PBL's:

Uses the weight of the ball and an additional torque created by a small extension spring and connecting rod to increase effective forces by about 10%. These forces must again be large enough to squeeze the ball between the ball lift belt and the up rail covers and overcome gravity.

### Problems Experienced Today with the Systems Above:

- Forces created by the weight and the frictional coefficient of the rubber belt and up rails must be larger than the weight of the ball, or the ball will not be lifted.

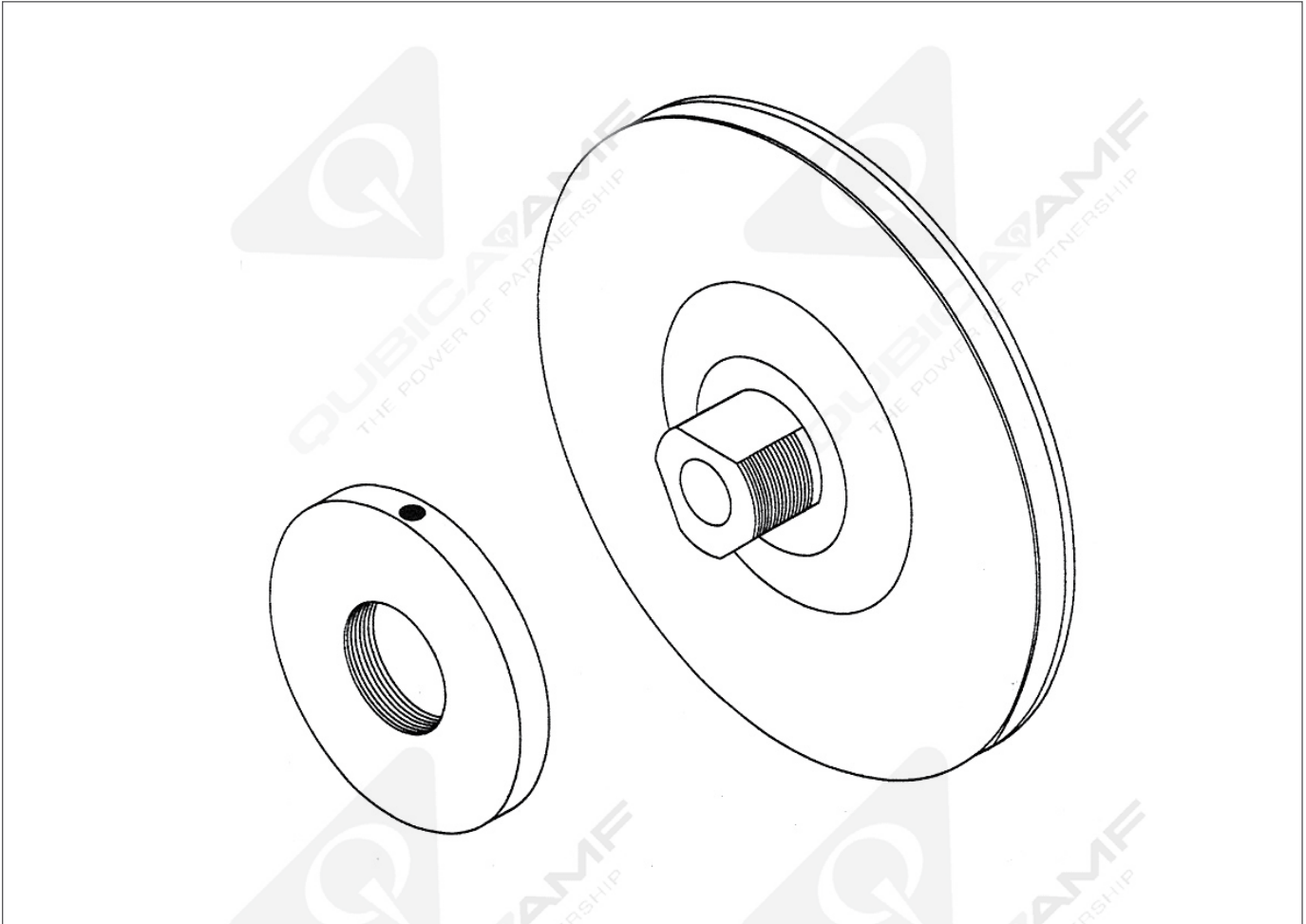
### To lift a ball, the following condition must be met:

- Forces created by 40 lbs. Lift plus additional moments X frictional coefficients of surfaces > weight of ball
- Heavy lane oil conditions cause frictional coefficients of the rubber belt and up rails to drop significantly.
- Poor lubrication decreases effective weight of ball lift by preventing it from pivoting freely.
- Hydraulic shock which dampens the drop of the lift also reduces the effective weight of the lift. As the ball gets half way up the rails, the rails curve away from the lift. The lift must lower itself down further against the rails to maintain the lifting force, or the ball will idle. The shock absorbs a significant amount of this required force and the ball starts idling. It is more difficult to overcome the idling once it has started. Typically the ball must start again from the bottom.
- Effective lifting forces and coefficients of friction both drop daily because of no maintenance, no lubrication, and heavy lane oiling.

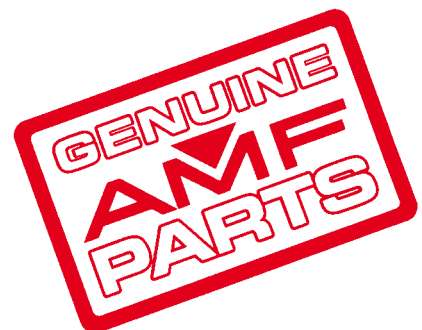
# ADJUSTABLE SPEED RUDDER DRIVE SHEAVE

## ADJUSTABLE SPEED RUDDER DRIVE SHEAVE

Product Code 000024599



- Slows paddle to optimum speed allowing light balls access to the lift.
- Adjustable sheave allows you to accommodate rudder drive speed to the ability of the pair of machines.
- Best when used with spring loaded drive link, AMF #000028540. This combination will give the best results in terms of adjustable strength and speed.
- Adjustable speed ratio range is from as fast as 2:1 and as slow as 4:1.
- For kicker style ball lifts and converted PBLs used with 82-70 machines only.



# SPRING LOADED DRIVE LINK ASSEMBLY & PBL MINI CONVERSION KIT

## SPRING LOADED DRIVE LINK ASSEMBLY

### Features:

- No more leaky hydraulic shocks
- Adjustable spring pressure
- 3 inch springs for low stress and wide range
- Piston is supported at each end
- Fully encased unit for protection
- Fully serviceable

**Product Code**      **000028540**

### What is it?

An economical way to convert an 82-70 kicker ball lift system to a positive ball lift system using existing components. The addition of a specially engineered adjustable pulley and shock system to the paddle simplifies the operation of the rudder drive system and increases its reliability. Once initial adjustments are completed, they do not change.

### Why do you need PBL Mini Kit?

To eliminate "Ball Calls" that cause your customers to wait. The PBL Plus kit eliminates all of the problems listed below with kicker systems.

### Included in the kit is:

- New Urethane Ball Doors
- New Urethane Paddle
- New Rudder Arm
- New Ratchet Wheel Assembly, Rod and Lift Arm
- New Rudder Drive Link
- New Tensioner
- New Rudder Drive Pulley
- New Lower Ball Lift Mounting Bracket
- Best used with Adjustable Speed Rudder Drive Sheave.

#000024599 (see page 65 for more details)

### Key Features:

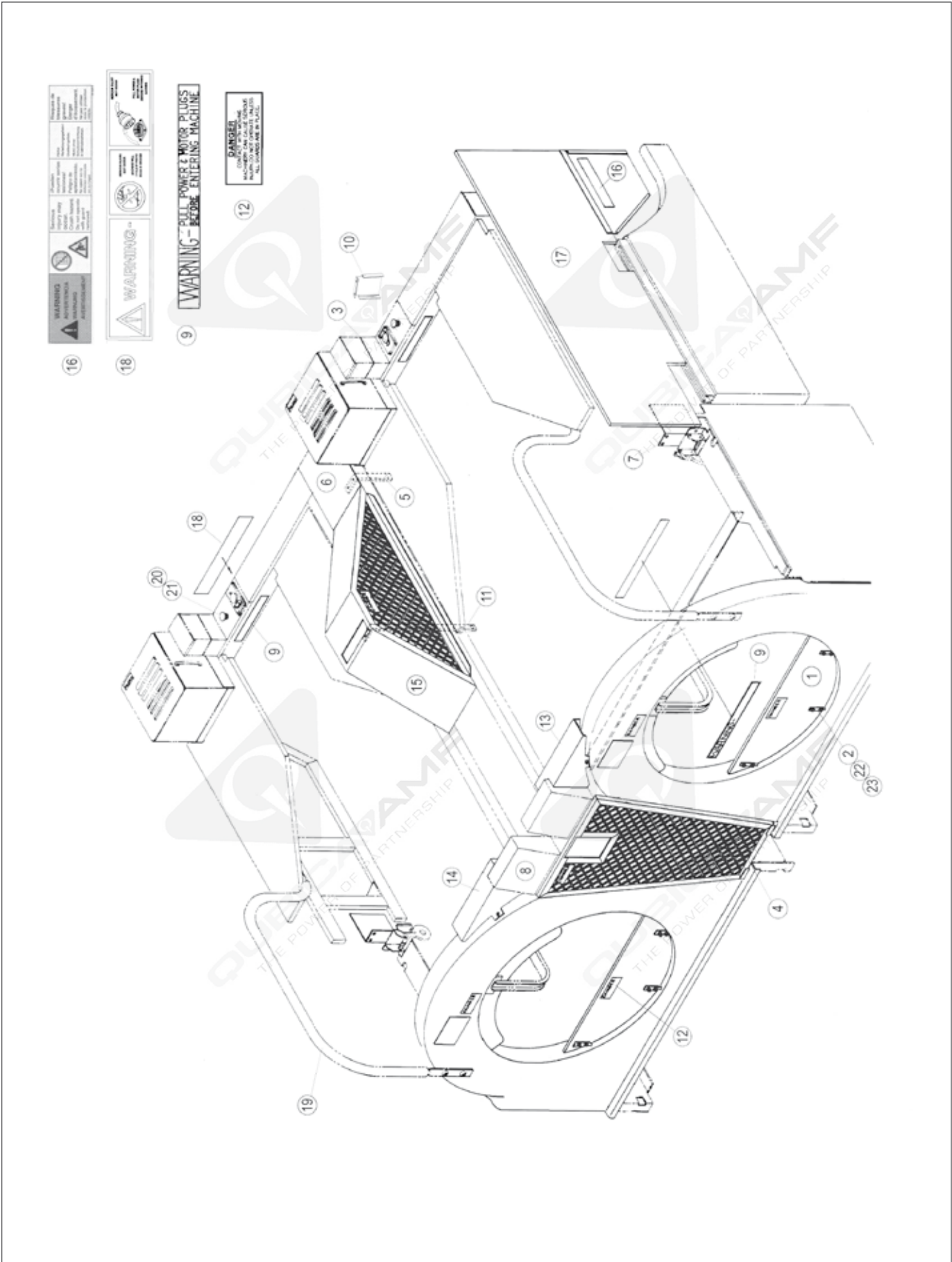
- Converts a kicker style exit system to a Positive Ball Lift system
- Eliminates much of the conditioner problem in the exit system
- The ball is lifted to the ball lift belt
- Installation requires just a few hours
- No more kickers rollers and belts
- Makes the exit area more accessible
- Reduces ball return calls



## PBL MINI CONVERSION KIT



**Product Code**      **610704097**



GUARDS AND SAFETY LABELS

ITEM	PART NUMBER	DESCRIPTION
1	000 022 219	Pin Elevator Guard Assembly
2	000 022 222	Bkt Mtg Pin Elev Guard
3	000 026 247	Circuit Interrupt Sw. (Not Shown)
4	070 004 690	Be Guard
5	070 004 691	Bracket Rear
6	070 004 713	Cover Guard Assembly
7	070 004 738	Toe Guard
8	070 005 361	Control-Cover Box
9	070 005 614	Warning Decal
10	070 006 279	Guard-Solenoid
11	070 010 238	Bracket Front Guard Assy
12	070 011 211	Danger Decal
13	070 011 392	RH Belt Guard (Odd)

ITEM	PART NUMBER	DESCRIPTION
14	070 011 393	LH Belt Guard (Even)
15	070 011 401	Ball Lift Guard Weld
16	088 001 154	End Guard Safety Label
17	088 001 174	Machine End Guard Assembly
18	090 004 028	"Warning" Label
19	090 005 118	Handrail
20	746 605 011	Contact Block
21	759 517 051	Palm Button Safety Switch
22	801 239 160	Bolt Carriage 10-24
23	843 139 002BG	Keq Nut 10-24





**QUBICA**  **AMF**

# CROSS REFERENCE LIST



# CROSS REFERENCE LIST

PART#	DESCRIPTION	CROSS REFERENCE	PAGE
000 021 204	Spring	000021204BG	58
000 021 204	Spring	000021204BG	59
000 021 224	Dampener Vibration	000021224BG	68
000 021 224	Dampener Vibration	000021224BG	68
000 021 231	Socket	000021231BG	14-15
000 021 231	Socket	000021231BG	16-17
000 021 407	Idler Arm Assembly Rh (Odd)	000021407BG	94-95
000 021 408	Idler Pulley Asm	000021408BG	89
000 021 408	Idler Pulley Asm	000021408BG	84-85
000 021 408	Idler Pulley Asm	000021408BG	94-95
000 021 417	Idler Roller Assembly	000021417BG	94-95
000 021 423	Collar 5/8 X 1 1/8 X 1/2	000021423BG	88
000 021 423	Collar 5/8X1 1/8 X 1/2	000021423BG	38-39
000 021 423	Collar 5/8 X 1 1/8 X 1/2	000021423BG	90-91
000 021 423	Collar 5/8 X 1 1/8 X 1/2	000021423BG	94-95
000 021 427	Bearing Fl .629 X .878 X 1/8	000021427BG	90-91
000 021 427	Bearing Fl .629 X .878 X 1/8	000021427BG	94-95
000 021 428	Tube Adjusting Assy	000021428BG	94-95
000 021 431	Spring	000021431BG	61
000 021 435	Shaft Special	000021435BG	94-95
000 021 442BG	Washer-Rubber (Bag 10)	000021442BG	38-39
000 021 443	Spring Post	000021443BG	61
000 021 575	Insulator	000021575BG	27
000 021 575	Insulator	000021575BG	34-35
000 021 645	Lever Assembly-Switch	000021645BG	27
000 021 645	Lever Assembly-Switch	000021645BG	28-29
000 021 652	Pit Light Assembly 120/60	000021652BG	6-7
000 021 652	Pit Light Assembly 120/60	000021652BG	8-9
000 021 683	Retainer, Bearing	000021683BG	22-23
000 021 714	Screw-Adjusting	000021714BG	27
000 021 714	Screw-Adjusting	000021714BG	28-29
000 021 744	Bearing, Self Aligning	000021744BG	22-23
000 021 784	Pacman Washer/ Slot Washer	000021784BG	50
000 021 784	Washer Slotted	000021784BG	42-43
000 021 792	Washer Frame	000021792BG	82-83
000 021 813	Wiper Support	000021813BG	86
000 021 813	Wiper Support	000021813BG	82-83
000 021 814	Ring	000021814BG	82-83
000 021 878	Spacer Rod Assembly	000021878BG	30-31
000 021 880	Rod End Assembly	000021880BG	30-31
000 021 881	Bearing Bl .625 X 1.375	000021881BG	30-31
000 021 905	Bearing (Locking Collar)	000021905BG	22-23
000 021 914	Channel	000021914BG	68
000 021 914	Channel	000021914BG	68
000 021 992BG	Bumper-Grommet #2250 Bag(10)	000021992BG	61
000 021 992BG	Bumper-Grommet #2250 Bag(10)	000021992BG	34-35
000 022 077	Roller Shaft	000022077BG	94-95
000 022 080	Rubber Roller	000022080BG	94-95
000 022 082	Pulley-Roller Drive	000022082BG	94-95
000 022 092	Crank Plate Weldment	000022092BG	94-95
000 022 096	Idler Asm Elev	000022096BG	94-95
000 022 099	Belt V-Pitch Lt 1133 A112	000022099BG	82-83
000 022 099	Belt-V Pitch Lt 1133	000022099BG	94-95
000 022 168	Spring Sweep Brake	000022168BG	34-35
000 022 172	Sheave-Back End Drive	000022172BG	61
000 022 173	Nut-Special	000022173BG	72-73
000 022 173	Nut Special	000022173BG	74-75
000 022 173	Nut-Special	000022173BG	94-95
000 022 218	Idler Arm Assembly Lh (Even)	000022218BG	94-95
000 022 219	Pin Elevator Guard Assembly	000022219BG	100-101
000 022 222	Bkt Mtg Pin Elev Guard	000022222BG	100-101
000 022 249	Brkt Assembly-Lh (Even, 7 Side)	000022249BG	58
000 022 286	Collar-Strut Cushion	000022286BG	66-67
000 022 287	Washer Spring Seat	000022287BG	66-67
000 022 288	Spring-Lh (Even)	000022288 BG	59



PART#	DESCRIPTION	CROSS REFERENCE	PAGE
000 022 288	Spring Cushion	000022288BG	66-67
000 022 296BG	Insulator-Switch (Bag 10)	000022296BG	61
000 022 296BG	Insulator-Switch (Bag 10)	000022296BG	6-7
000 022 296BG	Insulator-Switch (Bag 10)	000022296BG	8-9
000 022 296BG	Insulator-Switch (Bag 10)	000022296BG	28-29
000 022 300	Shield	000022300BG	58
000 022 300	Shield	000022300BG	59
000 022 369	Drive Shaft-Lh (Even)	000022369BG	79
000 022 717	Pin-Drive Shaft	000022717BG	79
000 022 737	Rod End Lh	000022737BG	42-43
000 022 738	Rod End Rh	000022738BG	42-43
000 022 770	Pad Cush Sponge Rubbr	000022770BG	66-67
000 022 782	Spring Counter Balance	000022782BG	50
000 022 788	Box-Support	000022788BG	58
000 022 788	Box-Support	000022788BG	59
000 022 794	Block Support Rh (Odd)	000022794BG	58
000 022 794	Block Support Rh (10 Side)	000022794BG	59
000 022 795	Block Support Lh (7 Side)	000022795BG	58
000 022 795	Block Support Lh (7 Side)	000022795BG	59
000 022 796	Cushion Block-Urethane-Rh (10 Side)	000022796BG	58
000 022 796	Cushion Block-Urethane Rh (10 Side)	000022796BG	59
000 022 797	Cushion Block-Urethane-Lh (7 Side)	000022797BG	58
000 022 797	Cushion Block-Urethane Lh (7 Side)	000022797BG	59
000 022 811	Pillow Block	000022811BG	50
000 022 811	Pillow Block	000022811BG	52
000 022 821	Pin	000022821BG	61
000 022 821	Pin	000022821BG	66-67
000 022 822	Sleeve	000022822BG	66-67
000 022 823	Shock Absorber	000022823BG	66-67
000 022 824	Cushion Shock Assembly	000022824BG	66-67
000 022 828	Brkt-Shock Swch Mech	000022828BG	61
000 022 869BG	Washer (Bag 10)	000022869BG	90-91
000 022 878	Angle	000022878BG	58
000 022 878	Angle	000022878BG	59
000 022 924BG	Support (Bag 10)	000022924BG BG	58
000 022 924BG	Support (Bag 10)	000022924BG	59
000 022 926	Retainer Support	000022926BG	58
000 023 104	Bearing Fl 1.25 X 1.5 X .953	000023104BG	52
000 023 105BG	Bearing-Slv .628 X .815 X .396 (Bag 10)	000023105BG	52
000 023 114BG	Brg Fl.628X.8155X.06 (Bag 10)	000023114BG	52
000 023 114BG	Brg Fl .628 X .8155 X .06 (Bag 10)	000023114BG	44-45
000 023 139	Arm-Crank	000023139BG	22-23
000 023 170	Steel Sweep Mtg Bracket Rh (10 Side)	000023170BG	55
000 023 171	Steel Sweep Mtg Brkt Lh (7 Side)	000023171BG	55
000 023 182	Slide Bar	000023182BG	55
000 023 279	Bumper-Urethane	000023279BG	52
000 023 431	Clip Bottom Rh (Odd)	000023431BG	59
000 023 432	Clip Bottom Lh (Even)	000023432BG	59
000 023 464	Support Weldmnt-Rh Mach Lh Side (Even)	000023464BG	59
000 023 465	Support Weldmnt-Lh Mach Rh Side (Odd)	000023465BG	59
000 023 467	Bearing Fl .314 X .434 X .310	000023467BG	59
000 023 468	Bracket	000023468BG	59
000 023 621	Lever Cush Assembly-Swtch	000023621BG	61
000 023 625	Bumper-Sponge Rubber	000023625BG	61
000 023 646	Shim Yoke	000023646BG	50
000 023 673	Sheave	000023673BG	61
000 023 758BG	Gskt-Washer 3/8 Id X 7/8 Od (Bag 10)	000023758BG	61
000 023 821	Side Clip Weld	000023821BG	59
000 024 507	Pin Eject Assembly Lh (Even)	000024507BG	59
000 024 508	Pin Eject Assembly Rh (Odd)	000024508BG	59
000 024 510	Brkt Assembly-Lh (Even)	000024510BG	59
000 024 511	Brkt Assembly-Rh (Odd)	000024511BG	59
000 024 513	Spring-Rh (Odd)	000024513BG	59
000 024 515	Bearing Sl .44 X .56 X 3/4	000024515BG	59
000 024 516	Bearing Sl .44 X .56 X 3/8	000024516BG	59

# CROSS REFERENCE LIST - CONTINUED

PART#	DESCRIPTION	CROSS REFERENCE	PAGE
000 024 534	Ear, Hanger Cushion	000024534BG	66-67
000 024 576	Roller Assembly-Front	000024576BG	68
000 024 576	Roller Assembly-Front	000024576BG	68
000 024 578	Roller Body-Front	000024578BG	68
000 024 578	Roller Body-Front	000024578BG	68
000 024 579	Roller Hinge	000024579BG	68
000 024 579	Roller Hinge	000024579BG	68
000 024 580	Shaft Hinge	000024580BG	68
000 024 580	Shaft Hinge	000024580BG	68
000 024 582BG	Pin Roller (Bag 10)	000024582BG	68
000 024 582BG	Pin Roller (Bag 10)	000024582BG	68
000 024 590	Front Roller Bearing	B11430015000BG	68
000 024 590	Front Roller Bearing	B11430015000BG	68
000 024 592	Hinge Assembly	000024592BG	68
000 024 592	Hinge Assembly	000024592BG	68
000 024 597	Link Assembly	000024597BG	68
000 024 597	Link Assembly	000024597BG	68
000 024 598	Adj Speed Sheave	000024598BG	61
000 024 599	Adj.Speed Sheave-Rudder Arm	000024599BG	94-95
000 024 603	Spring Comp. Ball Lift	000024603BG	84-85
000 024 605	Retainer Lower	000024605BG	84-85
000 024 606	Support	000024606BG	84-85
000 024 607	Tube	000024607BG	84-85
000 024 608	Retainer Upper	000024608BG	84-85
000 024 610	Stud Clamp	000024610BG	82-83
000 024 610	Stud-Clamp	000024610BG	94-95
000 024 612	Pad-Starter	000024612BG	94-95
000 024 614	Arm-Rudder	000024614BG	94-95
000 024 615	Shaft	000024615BG	90-91
000 024 615	Shaft	000024615BG	94-95
000 024 616	Clamp Stud	000024616BG	90-91
000 024 616	Clamp Stud	000024616BG	94-95
000 024 618	Nut-Carriage Assembly	000024618BG	94-95
000 024 622	Plug Rudder Arm	000024622BG	94-95
000 024 623	Segment-Rear Lh	000024623BG	58
000 024 623	Segment-Rear Lh (Even)	000024623BG	94-95
000 024 624	Segment-Rear Rh	000024624BG	58
000 024 624	Segment-Rear Rh (Odd)	000024624BG	94-95
000 024 625	Segment-Front Rh	000024625BG	58
000 024 625	Segment-Front Rh (Odd)	000024625BG	94-95
000 024 626	Segment Front Lh	000024626BG	58
000 024 626	Segment Front Lh (Even)	000024626BG	94-95
000 024 628	Pad-Rubber	000024628BG	94-95
000 024 631	Bearing Fl .752 X .877 X .151	000024631BG	94-95
000 024 634	Shaft	000024634BG	94-95
000 024 641	Stop Bumper	000024641BG	58
000 024 641	Stop Bumper	000024641BG	82-83
000 024 645	Upper Shaft	000024645BG	84-85
000 024 647	Roller	000024647BG	84-85
000 024 648	Pin Pivot	000024648BG	84-85
000 024 650	Roller Assembly	000024650BG	84-85
000 024 651	Link Assembly	000024651BG	84-85
000 024 651	Link Assembly	000024651BG	94-95
000 024 657	Spring	000024657BG	27
000 024 657	Spring	000024657BG	28-29
000 024 659	Yoke Lower	000024659BG	84-85
000 024 659	Yoke Lower	000024659BG	94-95
000 024 661	Pulley	000024661BG	84-85
000 024 661	Pulley	000024661BG	94-95
000 024 663	Cover Track Upper	000024663BG	86
000 024 666	Track Rail Weld	000024666BG	86
000 024 668	Track Supt Brkt	000024668BG	58
000 024 668	Track Support Bracket	000024668BG	86
000 024 673	Spring Dist	000024673BG	82-83
000 024 673	Spring-Dist	000024673BG	94-95

PART#	DESCRIPTION	CROSS REFERENCE	PAGE
000 024 676	Brkt-Lower Track	000024676BG	94-95
000 024 678	Filler Assembly-Front	000024678BG	94-95
000 024 679	Bearing Bl .625 X 1.375	000024679BG	72-73
000 024 679	Bearing Bl .625 X 1.375	000024679BG	74-75
000 024 679	Bearing Bl .625 X 1.375	000024679BG	92-93
000 024 679	Bearing Bl .625 X 1.375	000024679BG	94-95
000 024 681	Screw-Hex Hd Cap	000024681BG	94-95
000 024 716	Spring Holder	000024716BG	84-85
000 024 716	Spring Holder	000024716BG	94-95
000 024 720	Link Assembly Upper	000024720BG	84-85
000 024 720	Link Assembly Upper	000024720BG	94-95
000 024 745	Nut Plate Asm	000024745BG	94-95
000 024 760	Front Roller Link Assembly	000024760BG	68
000 024 760	Front Roller Link Assembly	000024760BG	68
000 024 795	Wood Plank-Cushion Lh (Even)	000024795BG	66-67
000 024 796	Wood Plank-Cushion Rh (Odd)	000024796BG	66-67
000 024 801BG	Washer (Bag 10)	000024801BG	66-67
000 024 806	Sheave	000024806BG	94-95
000 024 807	Cushion-Rubber Rh (Odd)	000024807BG	66-67
000 024 808	Cushion-Rubber Lh (Even)	000024808BG	66-67
000 024 811	Pulley Assembly Rh 5" (Odd)	000024811BG	84-85
000 024 811	Pulley Assembly Rh (Odd)	000024811BG	94-95
000 024 812	Pulley Assembly Lh 5" (Even)	000024812BG	84-85
000 024 812	Pulley Assembly Lh (Even)	000024812BG	94-95
000 024 890	Jackscrew	000024890BG	58
000 024 890	Jackscrew	000024890BG	59
000 024 892	Retainer-Ball	000024892BG	79
000 024 893	Drive Shaft Assembly-Lh 82/70 (Even)	000024893BG	79
000 025 004	End Fitting Rh	000025004BG	25
000 025 004	End Fitting Rh	000025004BG	25
000 025 004	End Fitting Rh	000025004BG	52
000 025 005	End Fitting Lh	000025005BG	25
000 025 005	End Fitting Lh	000025005BG	25
000 025 005	End Fitting Lh	000025005BG	52
000 025 049	Shield	000025049BG	10
000 025 068	Block-Term Amp	000025068BG	14-15
000 025 068	Block-Termamp2008382	000025068BG	16-17
000 025 078	Block-Term amp 2012981	000025078BG	10
000 025 078	Block-Term Amp	000025078BG	6-7
000 025 078	Block-Term Am	000025078BG	8-9
000 025 078	Block Term Amp	000025078BG	12-13
000 025 079	Block-Term Amp	000025079BG	18-19
000 025 144	Plug Male	000025144BG	11
000 025 207	Jack Screw Locking Insert Long	000025207BG	58
000 025 281	Riveted Bearing Respot Cell	000025281BG	74-75
000 025 292	Circuit Breaker Am12 (4 Terminals)	000025292BG	62
000 025 549	Collar 7/8 X 1 1/2 X 9/16	000025549BG	44-45
000 025 555	Fuse-Slo Blow 3 Amp	000025555BG	14-15
000 025 556BG	Catch Spring Lock (Bag Of 2)	000025556BG	6-7
000 025 556BG	Catch Spring Lock (Bag Of 2)	000025556BG	8-9
000 025 556BG	Catch Spring Lock (Bag 2)	000025556BG BG	18-19
000 025 557	Clip-Spring Lock	000025557BG	10
000 025 590	Receptacle Housing	000025590BG	61
000 025 603	Terminal Board	000025603BG	6-7
000 025 603	Terminal Board	000025603BG	8-9
000 025 621	Bearing Sl .502 X .689 X 2.495	000025621BG	94-95
000 025 622	Strap-Bonding	000025622BG	68
000 025 622	Strap-Bonding	000025622BG	68
000 025 638BG	Bumper Rubber-3/16 (Bag 10)	000025638BG	94-95
000 025 662BG	Screw-Nyloc (Bag 10)	000025662BG	68
000 025 662BG	Screw-Nyloc (Bag 10)	000025662BG	68
000 025 803	Roller-Pin Ejector Assembly	000025803BG	59
000 025 804	Shaft-Pin Ejector Assembly	000025804BG	59
000 025 863	Relay 24 V 50-60 Cy	000025863BG	14-15
000 025 863	Relay 24 V 50-60 Cy	000025863BG	16-17

# CROSS REFERENCE LIST - CONTINUED

PART#	DESCRIPTION	CROSS REFERENCE	PAGE
000 025 865	Plunger Switch	000025865BG	62
000 025 865	Plunger Switch	000025865BG	16-17
000 025 906	Receptacle-Male	000025906BG	61
000 025 907	Plug Female (2 Pin)	000025907BG	10
000 026 027	Solenoid 60 Hz .156	000026027BG	38-39
000 026 031	Spring	000026031BG	87
000 026 031	Spring	000026031BG	88
000 026 031	Spring	000026031BG	74-75
000 026 031	Spring	000026031BG	82-83
000 026 031	Spring	000026031BG	90-91
000 026 037	Switch Toggle	000026037BG	62
000 026 042	Switch-Micro	000026042BG	27
000 026 042	Switch-Micro	000026042BG	50
000 026 042	Switch-Micro	000026042BG	28-29
000 026 043	Switch-Micro	000026043BG	61
000 026 043	Switch-Micro	000026043BG	34-35
000 026 081	Sleeve-Spring Post	000026081BG	72-73
000 026 247	Switch	000026247BG	6-7
000 026 247	Switch	000026247BG	8-9
000 026 247	Switch	000026247BG	28-29
000 026 247	Circuit Interrupt Sw. (Not Shown)	000026247BG	100-101
000 026 251BG	Bearing Respot Cell (Bag 10)	000026251BG	34-35
000 026 251BG	Bearing Respot Cell 30 (Bag 10)	000026251BG	74-75
000 026 401	Shaft	000026401BG	27
000 026 419	Housing Weldment	000026419BG	27
000 026 446	Rod End	000026446BG	86
000 026 446	Rod End	000026446BG	34-35
000 026 446	Rod End	000026446BG	90-91
000 026 450	Pin Curtain	000026450BG	66-67
000 026 461BG	Brg Uniball .25 X .687 (Bag 2)	000026461BG	79
000 026 464	Bracket-Back End	000026464BG	59
000 026 836	Trsfmr 115-60	000026836BG	14-15
000 026 836	Trsfmr 115-60	000026836BG	16-17
000 026 865BG	Washer (Bag 10)	000026865BG	18-19
000 026 865BG	Washer (Bag 10)	000026865BG	72-73
000 026 865BG	Washer (Bag 10)	000026865BG	92-93
000 027 099	Apron & Mat Assembly Rh (Odd)	000027099BG	60
000 027 100	Apron & Mat Assembly Lh (Even) NOT SHOWN	000027100BG	60
000 027 264	Spacer	000027264BG	87
000 027 264	Spacer	000027264BG	90-91
000 027 264	Spacer	000027264BG	94-95
000 027 368	Plow & Mat Assembly Lh (Even) NOT SHOWN	000027368BG	60
000 027 372	Plow & Mat Assembly Rh (Odd)	000027372BG	60
000 027 390	Dist Drive Housing	000027390BG	79
000 027 444	Flourescent Lamp Starter	000027444BG	6-7
000 027 444	Flourescent Lamp Starter	000027444BG	8-9
000 027 641	Bearing Th .752 X 2.75 X .062	000027641BG	58
000 027 641	Bearing Th .752 X 2.75 X .062	000027641BG	59
000 027 642	Washer	000027642BG	58
000 027 642	Washer	000027642BG	59
000 027 642	Washer	000027642BG	84-85
000 027 645	Brkt Supt Assembly Lh (Odd, 7 Side)	000027645BG	59
000 027 646	Brkt Supt Assembly Rh (Even, 10 Side)	000027646BG	59
000 027 655	Receptacle-Male Combo 5 Prong	000027655BG	22-23
000 027 660	Plug-Female	000027660BG	10
000 027 710	Belt-V-36 Outside	000027710BG	94-95
000 027 870	Trsfmr 115/230 50/60	000027870BG	14-15
000 027 870	Trsfmr 115/230 50/60	000027870BG	16-17
000 027 873	Solenoid 50 Hz .156	000027873BG	38-39
000 027 996	Cushion-Rubber	000027996BG	94-95
000 027 998	Retainer	000027998BG	84-85
000 027 998	Retainer	000027998BG	94-95
000 028 036	Shim-Micro Switch	000028036BG	61
000 028 057	Retainer Cush Guide	000028057BG	84-85
000 028 057	Retainer Cush Guide	000028057BG	94-95

PART#	DESCRIPTION	CROSS REFERENCE	PAGE
000 028 334BG	Pin Ejector Washer (Bag 10)	000028334BG	59
000 028 362BG	Bumper-Urethane (Bag 10)	000028362BG	58
000 028 362BG	Bumper-Urethane Bag(10)	000028362BG	94-95
000 028 391	Screw-Shoulder	000028391BG	38-39
000 028 409	Block-Term Amp	000028409BG	12-13
000 028 410	Block-Term Amp	000028410BG	14-15
000 028 410	Block-Term Amp	000028410BG	16-17
000 028 441	Guide Socket (Bag 10)	000028441BG	6-7
000 028 441Bg	Guide Socket	000028441Bg	10
000 028 441BG	Guide Soc (Bag of 10)	000028441BG	11
000 028 441BG	Guide Socket (Bag 10)	000028441BG	8-9
000 028 441BG	Guide Socket Bag(10)	000028441BG	12-13
000 028 441BG	Guide Socket (Bag 10)	000028441BG	14-15
000 028 441BG	Guide Socket (Bag 10)	000028441BG	16-17
000 028 441BG	Guide Socket (Bag 10)	000028441BG	18-19
000 028 442	Guide, Pin (Bag 10)	000028442BG	14-15
000 028 442Bg	Guide Pin	000028442Bg	10
000 028 442BG	Guide Pin	000028442BG	11
000 028 442BG	Guide, Pin (Bag 10)	000028442BG	6-7
000 028 442BG	Guide, Pin (Bag 10)	000028442BG	8-9
000 028 442BG	Guide Pin	000028442BG	12-13
000 028 442BG	Guide, Pin (Bag 10)	000028442BG	16-17
000 028 442BG	Guide Pin (Bag 10)	000028442BG	18-19
000 028 452	Varistor	000028452BG	14-15
000 028 494	Hook	000028494BG	14-15
000 028 494	Hook	000028494BG	16-17
000 028 529	Urethane-Plus Rivet	000028529BG	66-67
000 028 540	Spring Loaded Drive Link Assembly	000028540BG	94-95
000 028 737	Shaft	000028737BG	84-85
000 028 737	Shaft	000028737BG	94-95
000 028 771	Sheave 4 1/4"	000028771BG	84-85
000 028 865	Belt-V Pitch Lt 34 5	000028865BG	94-95
000 029 010	Post Fuse Extractor	000029010BG	14-15
000 029 013BG	Locking Spring Clip (Bag of 2)	000029013BG	11
000 029 013BG	Locking Spring Clip (Bag Of 2)	000029013BG	12-13
000 029 014BG	Locking Spring Catch	000029014BG	12-13
000 029 014BG	Locking Spring Catch	000029014BG	14-15
000 029 014BG	Locking Spring Catch	000029014BG	16-17
000 029 015	Stud-Pivot	000029015BG	59
000 029 068	Rubber Mount	000029068BG	60
000 029 073BG	Washer (Bag 10)	000029073BG	79
000 029 093	Clamp Strain Reliever	000029093BG	11
000 029 117	Handle	000029117BG	14-15
000 029 117	Handle	000029117BG	16-17
000 029 301	Rectifier-Silc. 2069	000029301BG	14-15
000 029 317	Stop-Pin	000029317BG	59
000 029 600	Belt-V-33 1/2 Out	000029600BG	94-95
000 029 601	Spring	000029601BG	61
000 029 601	Spring	000029601BG	94-95
000 029 603	Shaft	000029603BG	89
000 029 603	Shaft	000029603BG	94-95
000 029 605	Shaft Pivot	000029605BG	87
000 029 605	Shaft Pivot	000029605BG	88
000 029 605	Shaft-Pivot	000029605BG	94-95
000 029 606	Shaft Pivot Short	000029606BG	87
000 029 606	Shaft Pivot Short	000029606BG	88
000 029 606	Shaft-Pivot-Short	000029606BG	94-95
000 029 607	Brkt-Ball Elev	000029607BG	94-95
000 029 608	Shaft-Sheave	000029608BG	94-95
000 029 609	Spring Torsion	000029609BG	94-95
000 029 610	Shaft-Roller Base	000029610BG	94-95
000 029 611BG	Unibal Bearing Washer (Bag 10)	000029611BG	90-91
000 029 611BG	Unibal Brg Washer (Bag 10)	000029611BG	94-95
000 029 612	Spring Torsion	000029612BG	94-95
000 029 613	Rail	000029613BG	84-85

# CROSS REFERENCE LIST - CONTINUED

PART#	DESCRIPTION	CROSS REFERENCE	PAGE
000 029 614	Heim Unibal	000029614BG	34-35
000 029 614	Heim Unibal	000029614BG	94-95
000 029 624	Bracket Shock Mount	000029624BG	61
000 029 626	Support-Angle	000029626BG	68
000 029 626	Support-Angle	000029626BG	68
000 029 629	Track Weld Downsweep	000029629BG	82-83
000 029 638	Base-Roller	000029638BG	94-95
000 029 659	Hanger Arm Assy	000029659BG	87
000 029 659	Hanger Arm Assy	000029659BG	88
000 029 659	Hanger Arm Asm	000029659BG	94-95
000 029 660	Shaft	000029660BG	84-85
000 029 660	Shaft	000029660BG	94-95
000 029 661	Shock Absorber	000029661BG	84-85
000 029 661	Shock Absorber	000029661BG	94-95
000 029 672	Brkt Bearing Assembly Rh (Odd, 10 Side)	000029672BG	58
000 029 695	Shaft Weld-Crank	000029695BG	94-95
000 029 696	Tube Adjustment Assembly	000029696BG	90-91
000 029 696	Tube Adjustment Assembly	000029696BG	94-95
000 029 697	Tube-Adjustment	000029697BG	90-91
000 029 896	Clamp Strain Relvr	000029896BG	12-13
000 029 898	Bar Reinforcing 40.5	000029898BG	68
000 029 898	Bar Reinforcing 40.5	000029898BG	68
000 029 910	Shim-3/8 Slot X 1 1/8 Od	000029910BG	82-83
000 029 959	Pad-Filler Assembly	000029959BG	94-95
030 002 748	Cam Gauge	030002748BG	55
030 003 938	Strap Pillow Block	030003938BG	50
030 003 943	Crank, Motor	030003943BG	22-23
030 003 943	Motor Crank	030003943BG	42-43
030 004 031	Amp Extracting Tool	030004031BG	20
030 008 660	Panel Kickback	030008660BG	58
070 001 184	Strap	070001184BG	60
070 001 185	Brace	070001185BG	60
070 001 195	Pin Seating Rod	070001195BG	60
070 001 284	Receptacle Assembly	070001284BG	61
070 001 389	Spring-Curtain Latch	070001389BG	66-67
070 001 396	Pin-Curtain Latch	070001396BG	66-67
070 001 412	Plow & Mat Assembly Sm Rh (Odd)	070001412BG	60
070 001 421	Strap	070001421BG	66-67
070 001 422	Bolt-U	070001422BG	66-67
070 001 432	Pad	070001432BG	66-67
070 001 450	Pit Supt Brkt Bds	070001450BG	58
070 001 451	Pit Supt Brkt-Obds	070001451BG	59
070 001 557	Tie Rod	070001557BG	25
070 001 585	Pin-Spot Link	070001585BG	24
070 001 587	Pin-Spring Hanger	070001587BG	24
070 001 591	Pin-Hook Spot	070001591BG	50
070 001 605	Spot Link Assembly-Upper	070001605BG	24
070 001 606	Tie Rod Respot	070001606BG	25
070 001 607	Tie Rod Spot	070001607BG	25
070 001 664	Clamp Stud	070001664BG	22-23
070 001 668	Roller-Spring	070001668BG	50
070 001 698	Brkt-Pitlight	070001698BG	6-7
070 001 698	Brkt-Pitlight	070001698BG	8-9
070 001 699	Shaft, Sweep Drive	070001699BG	22-23
070 001 700	Shaft, Table Drive	070001700BG	22-23
070 001 707	Spring	070001707BG	22-23
070 001 751	Hanger-Spring	070001751BG	24
070 001 774	Link Assembly	070001774BG	38-39
070 001 777	Pin	070001777BG	38-39
070 001 804	Pivot Weld Respot	070001804BG	42-43
070 001 807	Spring Respot Finger	070001807BG	42-43
070 001 840	Table Drive Asy	070001840BG	22-23
070 001 840	Table Drive Assembly	070001840BG	30-31
070 001 844	Spring-Actuator	070001844BG	30-31
070 001 849	Washer-Special	070001849BG	30-31

PART#	DESCRIPTION	CROSS REFERENCE	PAGE
070 001 852	Lever Table Arm	070001852BG	50
070 001 853	Spring	070001853BG	50
070 001 854	Screw-Adjusting	070001854BG	50
070 001 857BG	Roller Nylon (Bag 2)	070001857BG	30-31
070 001 857BG	Roller Nylon (Bag 2)	070001857BG	74-75
070 001 871	Screw-Hex Hd Cam Link	070001871BG	42-43
070 001 877	Eccentric Table Drive	070001877BG	30-31
070 001 893	Cam Ball Assembly	070001893BG	30-31
070 001 894	Pin-Pivot	070001894BG	30-31
070 001 898	Latch Assembly	070001898BG	30-31
070 001 907	Brkt-Sup-Pit Lite Rh	070001907BG	6-7
070 001 907	Brkt-Sup-Pit Lite Rh	070001907BG	8-9
070 001 908	Brkt-Sup-Pit Lite Lh	070001908BG	6-7
070 001 908	Brkt-Sup-Pit Lite Lh	070001908BG	8-9
070 001 910	Spot Respot Cam	070001910BG	22-23
070 001 917BG	Spring-Compression (Bag 5)	070001917BG	30-31
070 001 919BG	Flanged Bushing (Bag 10)	070001919BG	24
070 001 931	Spring	070001931BG	30-31
070 001 932	Pin	070001932BG	30-31
070 001 990	Knob-Chassis Cover	070001990BG	14-15
070 001 990	Knob-Chassis Cover	070001990BG	16-17
070 001 995	Yoke Assembly w/ Bearing Nut	070001995BG	84-85
070 001 997	Latch Assembly - Spot Arm Assy	070001997BG	24
070 002 004	Arm Assembly Rh Belt Tight (Odd)	070002004BG	61
070 002 007	Pulley Assembly Belt	070002007BG	61
070 002 010	Pan-Drip	070002010BG	61
070 002 012	Pivot Shaft	070002012BG	61
070 002 027	Panel	070002027BG	59
070 002 034	Roller Assembly Rear	070002034BG	68
070 002 034	Roller Assembly Rear	070002034BG	68
070 002 034	Roller Assembly Rear	070002034BG	82-83
070 002 050	Tube Weld Rh (Odd)	070002050BG	66-67
070 002 060	Cushion Assembly Rh (Odd)	070002060BG	66-67
070 002 072	Shaft Idler	070002072BG	89
070 002 072	Shaft-Idler	070002072BG	94-95
070 002 074	Brkt-Motor Rh Rear (Odd)	070002074BG	61
070 002 084	Brkt-Motor Rh Front (Odd)	070002084BG	61
070 002 094	Pulley-Belt Tightner	070002094BG	61
070 002 097	Sheave Carpet Drive	070002097BG	68
070 002 097	Sheave Carpet Drive	070002097BG	68
070 002 097	Sheave Carpet Drive	070002097BG	82-83
070 002 097	Sheave-Carpet Drive	070002097BG	94-95
070 002 169	Plow & Mat Assembly Sm Lh (Even) NOT SHOWN	070002169BG	60
070 002 212	Brkt-Motor Lh Rear (Even)	070002212BG	61
070 002 214	Brkt-Motor Lh Front (Even)	070002214BG	61
070 002 216	Arm Assembly Lh Mach (Even)	070002216BG	61
070 002 252	Tube Weld Lh (Even)	070002252BG	66-67
070 002 260	Cushion Assembly Lh (Even)	070002260BG	66-67
070 002 570BG	Insert Yoke Arm (Bag 5)	070002570BG	46-47
070 002 570BG	Insert Yoke Arm (Bag 5)	070002570BG	48-49
070 002 573	Spacer Leg Yoke	070002573BG	44-45
070 002 577	Stud Spring Yoke Asy	070002577BG	42-43
070 002 578	Lever Assembly Spot	070002578BG	25
070 002 578	Lever Asy Spot	070002578BG	42-43
070 002 579	Lever Asy Finger	070002579BG	42-43
070 002 581	Tie Rod	070002581BG	42-43
070 002 582	Drive Link Assembly-Rear	070002582BG	18-19
070 002 583	Link Asy Actuating	070002583BG	42-43
070 002 584	Pin Bell Crank	070002584BG	42-43
070 002 585	Shaft Lever Tbl Asy	070002585BG	42-43
070 002 590	Finger Link	070002590BG	42-43
070 002 594	Tie Rod Asy	070002594BG	42-43
070 002 596	Spring (Not Shown)	070002596BG	42-43
070 002 602	Lever Inner Yoke	070002602BG	44-45
070 002 603	Lever Outer Yoke	070002603BG	44-45

# CROSS REFERENCE LIST - CONTINUED

PART#	DESCRIPTION	CROSS REFERENCE	PAGE
070 002 609	Pin Lever Rear Yoke	070002609BG	44-45
070 002 612	Tie Link Asm	070002612BG	44-45
070 002 612	Tie Link Asm	070002612BG	44-45
070 002 615	Shaft-1 Yoke Assembly	070002615BG	44-45
070 002 616	Shaft-2 Yoke Assembly	070002616BG	44-45
070 002 617	Shaft-3 Yoke Assembly	070002617BG	44-45
070 002 618	Shaft-4 Yoke Assembly	070002618BG	44-45
070 002 619	Pin Actuator Shaft	070002619BG	18-19
070 002 620	Spacer Yoke Assembly	070002620BG	44-45
070 002 623	Yoke & Bearing Assy	070002623BG	44-45
070 002 629	Yoke Respot Asm	070002629BG	46-47
070 002 629	Yoke Respot Asm	070002629BG	48-49
070 002 630BG	Bearing Fl .252 X .315 X .218 (Bag 20)	070002630BG	46-47
070 002 630BG	Bearing Fl .252 X .315 X .218 (Bag 20)	070002630BG	48-49
070 002 632BG	Scr-Adj-Respot Cell (Bag 10)	070002632BG	46-47
070 002 632BG	Scr-Adj-Respot Cell (Bag 10)	070002632BG	48-49
070 002 642	Yoke Respot Assembly 7	070002642BG	48-49
070 002 644	Plate Yoke Assembly	070002644BG	46-47
070 002 644	Plate Yoke Assembly	070002644BG	48-49
070 002 645	Shaft-Lever Assy-Respot	070002645BG	46-47
070 002 645	Shaft-Lever Ay-Respt	070002645BG	48-49
070 002 646	Arm Respot Yoke Assembly	070002646BG	46-47
070 002 646	Arm Res Yoke Assembly	070002646BG	48-49
070 002 647	Yoke Respot Assembly	070002647BG	46-47
070 002 647	Yoke Respot Assy	070002647BG	46-47
070 002 649BG	Spring (Bag 10)	070002649BG	46-47
070 002 649BG	Spring (Bag 10)	070002649BG	48-49
070 002 652BG	Bearing Sl .252 X 315 X .5 Lg (Bag 20)	070002652BG	18-19
070 002 652BG	Bearing Sl .252 X .315 X .5 Lg (Bag 10)	070002652BG	28-29
070 002 652BG	Brg Sl.252X315x.5Lg (Bag 20)	070002652BG	30-31
070 002 652BG	Bearing Sl .252 X .315 X .5Lg (Bag 20)	070002652BG	42-43
070 002 652BG	Sleeve Bushing (Bag 10)	070002652BG	46-47
070 002 652BG	Bearing Sl .252 X .315 X .5 Lg (Bag 10)	070002652BG	48-49
070 002 653BG	Bearing Fl .252 X .315 X .38 (Bag 20)	070002653BG	18-19
070 002 653BG	Bearing Fl .252 X .315 X .38 (Bag 10)	070002653BG	28-29
070 002 653BG	Brg Fl.252X.315X.38 (Bag 20)	070002653BG	38-39
070 002 653BG	Bearing Fl .252 X .315 X .38 (Bag 20)	070002653BG	42-43
070 002 653BG	Bearing Fl .252 X .315 X .38 (Bag 20)	070002653BG	46-47
070 002 653BG	Bearing Fl .252 X .315 X .38 (Bag 20)	070002653BG	48-49
070 002 654BG	Pivot Shaft 1/4 (Bag 10)	070002654BG	46-47
070 002 654BG	Pivot Shaft 1/4 (Bag 10)	070002654BG	48-49
070 002 663	Leg Assembly-Front Rh	070002663BG	44-45
070 002 664	Leg Assembly-Front Lh	070002664BG	44-45
070 002 665	Leg Assembly-Rear With Bushings	070002665BG	44-45
070 002 667	Leg-Front-Table	070002667BG	44-45
070 002 671	Link Respot Connector	070002671BG	18-19
070 002 678	Lever Respot Assy	070002678BG	18-19
070 002 680	Lever Respot Asy	070002680BG	42-43
070 002 681BG	Pin Rspt Lever Pivot (Bag 10)	070002681BG	42-43
070 002 683	Yoke	070002683BG	44-45
070 002 685BG	Shaft-Pivot 7 Cell 5/16 (Bag 10)	070002685BG	48-49
070 002 686	Frame Asm 7 Cell	070002686BG	48-49
070 002 688	Spring Rh (10 Side)	070002688BG	44-45
070 002 689	Spring Lh (7 Side)	070002689BG	44-45
070 002 691BG	Flanged Bushing (Bag 10)	070002691BG	24
070 002 698	Bearing Sr .625 X 1 .562 X 7/8	070002698BG	50
070 002 698	Bearing Sr .625 X 1.562 X 7/8	070002698BG	44-45
070 002 701	Pin Yoke Legs	070002701BG	44-45
070 002 702	Stop Respot	070002702BG	42-43
070 002 715	Bearing Sl .502 X .689 X 1.5	070002715BG	42-43
070 002 719	Sleeve-Spring-Yoke	070002719BG	44-45
070 002 723BG	Pin Actuator Shaft (Bag 10)	070002723BG	44-45
070 002 726	Shaft Tbl Asy	070002726BG	42-43
070 002 727	Link & Bearing Assembly	070002727BG	25
070 002 727	Link & Bearing Asy	070002727BG	42-43



PART#	DESCRIPTION	CROSS REFERENCE	PAGE
070 002 728	Cam Link Bearing Assembly	070002728BG	25
070 002 728	Cam Link Bearing Asy	070002728BG	42-43
070 002 732BG	Spring (Bag 2)	070002732BG	42-43
070 002 733	Screw Cam Link Table	070002733BG	42-43
070 002 734	Brkt Spring Cam Link	070002734BG	42-43
070 002 745BG	Bearing Fl .626 X .814 X 1/2	070002745BG	42-43
070 002 750BG	Screw-Fl Hd-Respot & Yoke (Bag 10)	070002750BG	46-47
070 002 750BG	Screw-Flhd-Respot&Yoke (Bag 10)	070002750BG	48-49
070 002 752BG	Bumper Extrusion (Bag 2)	070002752BG	46-47
070 002 752BG	Bumper Extrusion (Bag 2)	070002752BG BG	48-49
070 002 758	Lever & Bushing Assembly	070002758BG	28-29
070 002 766	Link-Table Assembly	070002766BG	18-19
070 002 768	Link-Table Assembly	070002768BG	18-19
070 002 770	Link-Table Assembly	070002770BG	18-19
070 002 771	Plate-Table	070002771BG	18-19
070 002 772BG	Pin-Table (Bag 10)	070002772BG	18-19
070 002 773BG	Grommet-Table Asy (Bag 10)	070002773BG BG	18-19
070 002 774BG	Pin (Bag 2)	070002774BG	18-19
070 002 776	Bearing Cone RI-Tbl Drv	070002776BG	30-31
070 002 777	Cup-Roller Bearing Lg	070002777BG	30-31
070 002 778	Housing/Cup Assembly	070002778BG	30-31
070 002 779	Eccentric & Cone Asm	070002779BG	30-31
070 002 780	Cup-Roller Bearing Sm	070002780BG	30-31
070 002 781	Bearing Needle	070002781BG	42-43
070 002 787BG	Blt-U-Spotting Cup (Bag 2)	070002787BG	44-45
070 002 788	Cap-Spotting Cup	070002788BG	44-45
070 002 792	Frame Respot Weld	070002792BG	46-47
070 002 808	Spotting Cup Assembly	070002808BG	44-45
070 002 809	Spotting Cup	070002809BG	44-45
070 002 813	Respot Link	070002813BG	18-19
070 002 814	Link Assembly	070002814BG	18-19
070 002 815BG	Bearing .252 X .318 X .307 Lg (Bag 10)	070002815BG	18-19
070 002 816	Cam Follower	070002816BG	42-43
070 002 824	Cone & Seal Assy	070002824BG	30-31
070 003 103	Pin-Bearing Sweep Link	070003103BG	52
070 003 106	Shaft Main Pivot	070003106BG	52
070 003 117	Spacer Drive Link	070003117BG	52
070 003 158	Link-Drive Assembly-Sweep	070003158BG	52
070 003 159	Tube-Motor Rod	070003159BG	52
070 003 162	Connect Rod Assembly Mtr	070003162BG	52
070 003 173	Bearing Sl .438 X .624 X 2 "Lg"	070003173BG	52
070 003 184	Support Link Assembly Swp	070003184BG	52
070 003 189	Pin Bearing Sweep Link	070003189BG	52
070 003 190	Brkt-Shock Rh-Sweep (10 Side)	070003190BG	52
070 003 191	Brkt-Shock Lh-Sweep (7 Side)	070003191BG	52
070 003 195	Shock Mount	070003195BG	52
070 003 221	Screw-Sweep Link Assembly	070003221BG	52
070 003 222	Brkt-Shock Mounting	070003222BG	52
070 003 223	Link-Threaded-Sweep	070003223BG	52
070 003 231	Pin Bearing	070003231BG	52
070 003 232	Spacer Main Pivot Long	070003232BG	52
070 003 233	Spacer Sweep Link Lh	070003233BG	52
070 003 234BG	Bearing Fl .437 X .75 X .62 Lg (Bag 10)	070003234BG	52
070 003 235	Screw Sweep Lk 7/16-14	070003235BG	52
070 003 242	Sweep Link Cast	070003242BG	52
070 003 243	Screw-Crank Arm	070003243BG	22-23
070 003 245	Screw Rock Arm Sweep Lk	070003245BG	52
070 004 267	Shaft-Stub	070004267BG	61
070 004 602	Ball Lift Bracket	070004602BG	58
070 004 642	Brkt Stop Ball Lift	070004642BG	82-83
070 004 654	Brkt Track Support	070004654BG	82-83
070 004 669	Cloth Ball Wiper	070004669BG	82-83
070 004 670	Dust Trap	070004670BG	82-83
070 004 690	Be Guard	070004690BG	100-101
070 004 691	Bracket Rear	070004691BG	100-101

# CROSS REFERENCE LIST - CONTINUED

PART#	DESCRIPTION	CROSS REFERENCE	PAGE
070 004 713	Cover Guard Assembly	070004713BG	100-101
070 004 738	Guard	070004738BG	66-67
070 004 738	Toe Guard	070004738BG	100-101
070 005 094	Cable Assembly Be Mtr	070005094BG	6-7
070 005 094	Cable Assembly Be Mtr	070005094BG	8-9
070 005 149	Relay-Thermal	070005149BG	14-15
070 005 361	Cover-Control Box	070005361BG	62
070 005 361	Control-Cover Box	070005361BG	100-101
070 005 514	Shield-Angle	070005514BG	14-15
070 005 514	Shield-Angle	070005514BG	16-17
070 005 515	Relay-Chassis 24Vac	070005515BG	14-15
070 005 515	Relay-Chassis 24Vac	070005515BG	16-17
070 005 529	Switch-Sweep Run	070005529BG	62
070 005 530	Switch-Sweep Reverse	070005530BG	62
070 005 534	Cbl Assembly-Off Spot	070005534BG	6-7
070 005 534	Cbl Assembly-Off Spot	070005534BG	8-9
070 005 542	Cable Assembly Sweep Mtr	070005542BG	6-7
070 005 542	Cable Assembly Sweep Mtr	070005542BG	8-9
070 005 570	Plug Duct Weldmt	070005570BG	6-7
070 005 570	Plug Duct Weldmt	070005570BG	8-9
070 005 602	Cbl-Table	070005602BG	18-19
070 005 604	Cable-Table	070005604BG	6-7
070 005 604	Cable-Table	070005604BG	8-9
070 005 610	Link	070005610BG	66-67
070 005 614	Decal-Warning	070005614BG	60
070 005 614	Decal-Warning	070005614BG	6-7
070 005 614	Decal-Warning	070005614BG	8-9
070 005 614	Warning Decal	070005614BG	100-101
070 005 652	Cpctr-100Mfd 250Wvdc	070005652BG	14-15
070 005 666	Circuit Breaker	070005666BG	14-15
070 005 666	Circuit Breaker	070005666BG	16-17
070 005 842	Diode-Power	070005842BG	14-15
070 005 859	Diode-Power	070005859BG	14-15
070 005 874	Cpctr-1500Mfd 50W.V.	070005874BG	14-15
070 005 883	Relay	070005883BG	14-15
070 005 898	Trsfmr 115/230 50	070005898BG	14-15
070 005 998	Triac	070005998BG	14-15
070 006 004	Tube Distributor	070006004BG	74-75
070 006 009	Support Belt Runner Assembly	070006009BG	74-75
070 006 011	Pulley Assembly Dist.	070006011BG	74-75
070 006 013	Guide Pin Dist.	070006013BG	74-75
070 006 014	Shaft Distributor	070006014BG	74-75
070 006 015	Trip Arm Assembly RH (10 Side)	070006015BG	74-75
070 006 016	Trip Arm Assembly LH (7 Side)	070006016BG	74-75
070 006 019	Collar Spring Dist.	070006019BG	74-75
070 006 021	Tube Assembly Front-Dist.	070006021BG	74-75
070 006 022	Tube Assembly Middle Dist	070006022BG	74-75
070 006 029	Link Connecting Dist	070006029BG	74-75
070 006 034	Spring Linear Dist.	070006034BG	72-73
070 006 035	Spring Dist Carriage	070006035BG	74-75
070 006 036BG	Lacing Dist. Belt	070006036BG	74-75
070 006 037BG	Pin Dist. Belt	070006037BG	74-75
070 006 042	Runner Belt Rear	070006042BG	74-75
070 006 048	Bolt Special	070006048BG	72-73
070 006 049	Shaft Arm Dist.	070006049BG	72-73
070 006 051	Arm Distributor	070006051BG	72-73
070 006 052	Drive Arm	070006052BG	72-73
070 006 055	Carriage Front Dist.	070006055BG	74-75
070 006 061	Shaft Cam Supt Dist.	070006061BG	72-73
070 006 064	Spacer Bearing Dist.	070006064BG	72-73
070 006 065	Clamp Race Dist.	070006065BG	72-73
070 006 066	Rod End Female Dist.	070006066BG	72-73
070 006 067	Rod Safety Link Dist	070006067BG	72-73
070 006 068	Support Spring Dist.	070006068BG	72-73
070 006 069	Nut Special Dist	070006069BG	72-73

PART#	DESCRIPTION	CROSS REFERENCE	PAGE
070 006 071	Cam Follower Dist.	070006071BG	72-73
070 006 073	Washer Thrust	070006073BG	72-73
070 006 074	Bearing Needle Thrust	070006074BG	72-73
070 006 075	Bearing Nd Clsd End 1 "Lg"	070006075BG	72-73
070 006 076	Bearing Needle Open End	070006076BG	72-73
070 006 077	Shaft Drive Dist.	070006077BG	72-73
070 006 082	Pin Spring Post Dist	070006082BG	72-73
070 006 084	Brkt Trip Stop	070006084BG	72-73
070 006 087	Sleeve Pivot Trip	070006087BG	72-73
070 006 101	Drive Shaft-Rh (Odd)	070006101BG	79
070 006 102	Drive Shaft Assembly-Rh 82/70 (Odd)	070006102BG	79
070 006 103	Support Guide Lh (7 Side)	070006103BG	74-75
070 006 104	Support Guide Rh	070006103BG	74-75
070 006 105	Tube Assembly Dist. Carriage	070006105BG	74-75
070 006 106	Brkt Tracking Dist	070006106BG	74-75
070 006 107	Tube Belt Tightener Dist	070006107BG	74-75
070 006 108	Spacer-Roller Assy-Dist	070006108BG	34-35
070 006 108	Spacer Roller Assy Dist	070006108BG	74-75
070 006 109	Link Roller Assembly Dist	070006109BG	74-75
070 006 111	Sleeve Spring Post	070006111BG	72-73
070 006 111	Sleeve Spring Post	070006111BG	74-75
070 006 116	Stud-Clamp	070006116BG	38-39
070 006 116	Stud Clamp	070006116BG	74-75
070 006 117	Bearing Grooved Concentric	070006117BG	74-75
070 006 118	Bearing Grooved Eccentric	070006118BG	74-75
070 006 120	Carriage Supprot Tube	070006120BG	74-75
070 006 121BG	Washr Dist. Clutch (Bag 10)	070006121BG	72-73
070 006 125	Worm Adjusting	070006125BG	72-73
070 006 126	Friction Disk	070006126BG	72-73
070 006 128	Spring Assembly	070006128BG	72-73
070 006 130	Clutch Plate	070006130BG	72-73
070 006 136	Castng & Bearing Assy	070006136BG	72-73
070 006 137	Guard Belt Dist.	070006137BG	74-75
070 006 139	Spacer Inner Dist.	070006139BG	74-75
070 006 140	Spacer Outer Dist.	070006140BG	74-75
070 006 142BG	Bumper (Bag 10)	070006142BG	34-35
070 006 142BG	Bumper (Bag 10)	070006142BG	38-39
070 006 142BG	Bumper (Bag 10)	070006142BG	72-73
070 006 142BG	Bumper	070006142BG	74-75
070 006 142BG	Bumper (Bag 10)	070006142BG	92-93
070 006 149	Cam Index Dist.	070006149BG	72-73
070 006 201	Belt Guide	070006201BG	74-75
070 006 211	Motor Westinghouse Lh 50Hz	070006211BG	61
070 006 219	Mtr-115/230-50 Comb	070006219BG	22-23
070 006 256	Tube-Outside-Bin	070006256BG	36-37
070 006 259	Brkt-Arm-Shuttle Assembly	070006259BG	36-37
070 006 260	Bumper-Counter-Bin	070006260BG	36-37
070 006 268	Strap Shuttle	070006268BG	36-37
070 006 272	Switch Cable Assm	070006272BG	6-7
070 006 272	Switch Cable Assm	070006272BG	8-9
070 006 272	Switch Cable Assy	070006272BG	34-35
070 006 276	Spring	070006276BG	38-39
070 006 277	Washer	070006277BG	38-39
070 006 278	Lever-Cam	070006278BG	38-39
070 006 279	Guard-Solenoid	070006279BG	38-39
070 006 279	Guard-Solenoid	070006279BG	100-101
070 006 280	Clip-Spring-Shuttle Dr	070006280BG	38-39
070 006 281	Link-Spng .156 Hole	070006281BG	38-39
070 006 282	Link	070006282BG	38-39
070 006 283	Spring	070006283BG	38-39
070 006 284	Stud-Clamp-Shuttle Dr	070006284BG	38-39
070 006 285	Shaft-Shuttle-Drive	070006285BG	38-39
070 006 286	Shaft	070006286BG	38-39
070 006 287	Pin Long	070006287BG	38-39
070 006 289	Shaft-Shuttle Drive	070006289BG	38-39

# CROSS REFERENCE LIST - CONTINUED

PART#	DESCRIPTION	CROSS REFERENCE	PAGE
070 006 295	Lever-Shuttle	070006295BG	38-39
070 006 296BG	Wshr-Spring-Shuttle (Bag 10)	070006296BG	38-39
070 006 297	Tube-Long	070006297BG	38-39
070 006 299	Tube-Short	070006299BG	38-39
070 006 302	Plug-Shuttle Rod	070006302BG	38-39
070 006 304	Rod-Shuttle	070006304BG	38-39
070 006 306	Spring-Shuttle Rod	070006306BG	38-39
070 006 307	Link Assembly-Shuttle Dr	070006307BG	38-39
070 006 310	Spacer	070006310BG	22-23
070 006 320	Shaft Assy Adj 9 1/2" To 11" Spacing	070006320BG	84-85
070 006 320	Shaft Assy Adj 9 1/2" To 11" Spacing	070006320BG	94-95
070 006 325	Shaft Assy Fixed 9 1/2" To 11" Spacing	070006325BG	84-85
070 006 325	Shaft Assy Fixed 9 1/2" To 11" Spacing	070006325BG	94-95
070 006 328	Shaft Assy Fixed 11" To 12 5/8" Spacing	070006328BG	84-85
070 006 328	Shaft Assy Fixed 11" To 12 5/8" Spacing	070006328BG	94-95
070 006 329	Shaft Assy Adj 11" To 12 5/8" Spacing	070006329BG	84-85
070 006 329	Shaft Assy Adj 11" To 12 5/8" Spacing	070006329BG	94-95
070 006 351	Rod-Bin Assembly	070006351BG	34-35
070 006 353	Guide-Pin-Bin Assembly	070006353BG	34-35
070 006 354BG	Shock Mount-Bin Assembly (Bag 10)	070006354BG	34-35
070 006 356	Switch Actuator-Bin	070006356BG	34-35
070 006 358	Brkt Assembly-Bin Assembly	070006358BG	34-35
070 006 359	Brkt-Bin Assembly	070006359BG	34-35
070 006 360	Channel Long Weldment	070006360BG	34-35
070 006 363	Channel-Short	070006363BG	34-35
070 006 364	Spacer-Butt Guide-Bin	070006364BG	34-35
070 006 365	Spacer-Head Guide Bin	070006365BG	34-35
070 006 366	Spacer-Guide Pin Head	070006366BG	34-35
070 006 369	Guide-Pin Rh-Bin Assembly (10 Side)	070006369BG	34-35
070 006 370	Guide-Pin-Lh-Bin Assembly (7 Side)	070006370BG	34-35
070 006 371	Brkt-Supt-Bin Assembly	070006371BG	34-35
070 006 372	Stringer Ctr Rh	070006372BG	34-35
070 006 373	Stringer #1 Pin Lh	070006373BG	34-35
070 006 376	Stringer-Outside Rh (10 Side)	070006376BG	34-35
070 006 377	Stringer 4 Pin L.H. (7 Side)	070006377BG	34-35
070 006 380	Guide-Pin 4-Bin Assembly	070006380BG	34-35
070 006 381	Guide-Pin 6-Bin Assembly	070006381BG	34-35
070 006 384	Brkt-Pin 5	070006384BG	34-35
070 006 386	Track Assy L H (7 Side)	070006386BG	34-35
070 006 388	Track Assy R H (10 Side)	070006388BG	34-35
070 006 389	Guide-Pin 1	070006389BG	34-35
070 006 390	Spacer	070006390BG	34-35
070 006 390	Spacer	070006390BG	36-37
070 006 402	Shaft-Bin Assembly	070006402BG	34-35
070 006 403	Stud-Clamp-Bin Assembly	070006403BG	34-35
070 006 407	Cap-Cam Hub	070006407BG	22-23
070 006 408	Lever-Bin Assembly	070006408BG	34-35
070 006 417	Table Cam Weld	070006417BG	22-23
070 006 420	Cam Switch Assy	070006420BG	27
070 006 420	Cam Switch Assy	070006420BG	22-23
070 006 427	Cam, Shuttle	070006427BG	22-23
070 006 429	Arm Cstg Assembly Lh & Rh	070006429BG	34-35
070 006 447	Spring-Shuttle Assembly	070006447BG	36-37
070 006 449	Cam Weld-SB & SC	070006449BG	22-23
070 006 450	Cam Weld-SA	070006450BG	22-23
070 006 457	Shaft	070006457BG	24
070 006 473	Cable Assembly C1	070006473BG	6-7
070 006 473	Cable Assembly C1	070006473BG	8-9
070 006 478	Bracket	070006478BG	24
070 006 481	Link Arm-Spot Assy	070006481BG	24
070 006 484	Stop Lever Assy	070006484BG	38-39
070 006 492	Link Arm-Respot Assy	070006492BG	24
070 006 493	Ball-Joint Assembly	070006493BG	24
070 006 493	Ball-Joint Assy	070006493BG	22-23
070 006 496	Screw-Hx 3/8-16 X 7	070006496BG	24

PART#	DESCRIPTION	CROSS REFERENCE	PAGE
070 006 519	Rs/Cup/Spot Height Gauge	070006519BG	42-43
070 006 587	Table Flag Locating Tool	070006587BG	42-43
070 006 639	Washer C	070006639BG	58
070 006 659	Shaft Carriage Assembly	070006659BG	74-75
070 006 661	Trip Rocker Arm Weld	070006661BG	74-75
070 006 666	Pulley Dist. Belt Dr	070006666BG	72-73
070 006 667	Trip Casting With Bearing	070006667BG	72-73
070 006 669	Link Respot	070006669BG	18-19
070 006 672	Carriage Casting	070006672BG	74-75
070 006 673	Lever Asm #7 Cell Respot Yoke	070006673BG	48-49
070 006 674	Cell Assembly #7 (New Style)	070006674BG	46-47
070 006 674	Cell Assembly #7 (New Style)	070006674BG	48-49
070 006 676	Sleeve Dist Drive	070006676BG	72-73
070 006 679	Bearing SI .752 X .877 X 1.66	070006679BG	72-73
070 006 683	Tube Assembly Rear Casting	070006683BG	74-75
070 006 685	Pivot Trip Assembly	070006685BG	72-73
070 006 686	Pinion Gear Assembly	610704005BG	72-73
070 006 688	Support Carriage Assembly	070006688BG	74-75
070 006 691	Stop Blades Trip Arm	070006691BG	72-73
070 006 692	Clutch Plate Assembly	610704006BG	72-73
070 006 693	Shaft-Switch Assembly	070006693BG	28-29
070 006 694	Spacer-Switch Assembly	070006694BG	28-29
070 006 695	Brkt-Switch Assembly	070006695BG	28-29
070 006 697	SwitchAsy - Table	070006697BG	28-29
070 006 697	Switch Asy - Table	070006697BG	28-29
070 006 697	Switch Asy - Table	070006697BG	28-29
070 006 697	Switch Assy Table	070006697BG	42-43
070 006 724	Link-Spng .250 Hole	070006724BG	38-39
070 006 726	Solenoid 60 Hz .250	070006726BG	38-39
070 006 728	Cam Follower	070006728BG	90-91
070 006 729	Disc Spring	070006729BG	30-31
070 006 748	Spacer	070006748BG	84-85
070 006 748	Spacer	070006748BG	94-95
070 006 757	82/70 Dist Belt Black Rough Top	070006757BG	74-75
070 006 765	Shaft Plate	070006765BG	22-23
070 007 119	Drive Arm Assembly	070007119BG	72-73
070 007 192BG	Washer-Respot Cell Assembly (Bag 10)	070007192BG	46-47
070 007 192BG	Washer-Respot Cell Assembly (Bag 10)	070007192BG	48-49
070 007 192Bg	Washer Respot Cell Assy (Bag 10)	070007192Bg	84-85
070 007 193BG	Spacer-Respot Cell (Bag 5)	070007193BG	46-47
070 007 193BG	Spacer - Rubber/Nylon (Bag 10)	070007193BG	48-49
070 007 194BG	Stud-Long-Respot Cell (Bag 5)	070007194BG	46-47
070 007 194BG	Stud-Long-Respot Cell (Bag 5)	070007194BG BG	48-49
070 007 195BG	Stud-Short-Respot Cell (Bag 5)	070007195BG	46-47
070 007 195BG	Stud-Short-Respot Cell (Bag 5)	070007195BG	48-49
070 007 196BG	Bearing FI .252 X .485 X .560 (Bag 10)	070007196BG	46-47
070 007 196BG	Bearing FI .252 X .485 X .560 (Bag 5)	070007196BG	48-49
070 007 197BG	Insert-Respot-Plastic/Round Hole (Bag10)	070007197BG	46-47
070 007 197BG	Insert-Respot-Plastic/RoundHole(Bag10)	070007197BG	48-49
070 007 199	Respot Cell Assembly #7(Old Style)	070007199BG	48-49
070 007 250	Link Hub Assembly	070007250BG	30-31
070 007 276	Rod Link Assembly	070007276BG	52
070 007 278	Tube Weld Link Assy	070007278BG	52
070 007 280	Sweep Link Assembly Teles	070007280BG	52
070 007 281	Rod End Link Assembly	070007281BG	52
070 007 282	Rod End Link Assembly	070007282BG	52
070 007 283	Bumper Link Assembly	070007283BG	52
070 007 291	Bearing CI .9995 X 1.312 X 1	070007291BG	84-85
070 007 295	Table Support Assy Rh	070007295BG	25
070 007 295	Table Support Assy RH (10 Side)	070007295BG	50
070 007 296	Table Support Assy Lh	070007296BG	25
070 007 296	Table Support Assy LH (7 Side)	070007296BG	50
070 007 302	Spacer-Front End	070007302BG	50
070 007 303	Spacer-Front End	070007303BG	25
070 007 303	Spacer-Front End	070007303BG	50

# CROSS REFERENCE LIST - CONTINUED

PART#	DESCRIPTION	CROSS REFERENCE	PAGE
070 007 310	Bushing	070007310BG	22-23
070 007 310	Bearing Fl .502 X .871 X 1.20	070007310BG	30-31
070 007 311	Sleeve	070007311BG	22-23
070 007 311	Sleeve-Table Dr Assembly	070007311BG	30-31
070 007 359	Brkt-Support	070007359BG	60
070 007 360	Brkt Support Weld	070007360BG	66-67
070 007 370	Angle Pit Light Mnt	070007370BG	6-7
070 007 370	Angle Pit Light Mnt	070007370BG	8-9
070 007 376BG	Wshr-Thrust (Bag 5)	070007376BG	72-73
070 007 586	U Joint- Steel	070007586BG	79
070 007 591	Strap	070007591BG	62
070 007 616BG	Pin-Pivot 5/16 Dia (Bag 10)	070007616BG	42-43
070 007 617BG	Stud-Pivot 5/16 (Bag 10)	070007617BG	46-47
070 007 618	Lever Respot Assembly 9 Cell	070007618BG	46-47
070 007 620	Lever Assembly #7 Cell Only	070007620BG	46-47
070 007 622	Lever Respot Asy	070007622BG	42-43
070 007 623	Lever Respot Assembly	070007623BG	18-19
070 007 651BG	Nylon Washer - Top (Bag 10)	070007651BG	46-47
070 007 651BG	Nylon Washer - Top (Bag 10)	070007651BG	48-49
070 007 651BG	Washer Nylon Dist (Bag 10)	070007651BG	72-73
070 007 722	Jackscrew 1/2-20 X 3	070007722BG	58
070 007 745	Cover-Cbl Duct Ext	070007745BG	6-7
070 007 745	Cover-Cbl Duct Ext	070007745BG	8-9
070 007 747	Cover	070007747BG	6-7
070 007 747	Cover	070007747BG	8-9
070 007 748	Frme Wld-Cbldct-Long	070007748BG	6-7
070 007 748	Frme Wld-Cbldct-Lon	070007748BG	8-9
070 007 751	Cable-Tbl Mtr 3 Cono	070007751BG	6-7
070 007 751	Cable-Tbl Mtr 3 Cono	070007751BG	8-9
070 007 752	Spacer	070007752BG	50
070 007 755	Yoke Weldment	070007755BG	30-31
070 007 761	Spot Respot Spring Hanger Repair Kit	070007761BG	25
070 007 761	Brkt Spot Respot Spring Hanger Kit	070007761BG	22-23
070 007 846	Kit Filler Plate	070007846BG	68
070 007 846	Kit Filler Plate	070007846BG	68
070 007 847	Fastner Rubber	070007847BG	68
070 007 847	Fastner Rubber	070007847BG	68
070 008 133BG	Spacer-Link Assy (Bag 2)	070008133BG	38-39
070 008 135	Link Assembly	070008135BG	38-39
070 008 154	Pin-Pivot #7 Cell	070008154BG	48-49
070 008 182	Block-Bearing	070008182BG	50
070 008 191	Brkt Ball Lift	070008191BG	86
070 008 204	Sheave 3 1/2"	070008204BG	84-85
070 008 205	Sheave Assembly Ball Lift	070008205BG	84-85
070 008 210	Sheave	070008210BG	84-85
070 008 211	Sheave	070008211BG	84-85
070 008 212	Spacer	070008212BG	84-85
070 008 215	Belt Tightener Weld	070008215BG	84-85
070 008 217	Spacer	070008217BG	84-85
070 008 218	Spacer	070008218BG	84-85
070 008 321	Arm-Latch	070008321BG	30-31
070 008 322	Link-Actuator Assembly	070008322BG	30-31
070 008 325	Pin-Actuator Assembly	070008325BG	30-31
070 009 811	Receptacle Assy (Mask)	070009811BG	16-17
070 009 815	Varistor Assembly T1	070009815BG	16-17
070 009 821	Circuit Breaker-Spec (6 Terminals)	070009821BG	62
070 009 823	Plate Adapter & Screw	070009823BG	62
070 010 238	Bracket Front Guard Assy	070010238BG	100-101
070 011 002	Support	070011002BG	84-85
070 011 004	Tube & Support Assembly	070011004BG	84-85
070 011 005	Door Weld Lh (Even - NOT SHOWN)	070011005BG	58
070 011 005	Steel Door Ring Lh (Even)	070011005BG	82-83
070 011 006	Door Weld Rh (Odd)	070011006BG	58
070 011 006	Steel Door Ring Rh (Odd)	070011006BG	82-83
070 011 009	Housing Weldment	070011009BG	92-93

PART#	DESCRIPTION	CROSS REFERENCE	PAGE
070 011 013	Crank Weldment	070011013BG	92-93
070 011 018	Ball Guide	070011018BG	86
070 011 027	Shaft	070011027BG	92-93
070 011 028BG	Washer (Bag 10)	070011028BG	92-93
070 011 029	Nut	070011029BG	92-93
070 011 030BG	Roller (Bag 10)	070011030BG	92-93
070 011 031BG	Spacer (Bag 10)	070011031BG	92-93
070 011 032	Spring	070011032BG	92-93
070 011 033	Pulley-Ratchet	070011033BG	92-93
070 011 034	Extension Rod	070011034BG	82-83
070 011 035	Strap	070011035BG	82-83
070 011 036	Bearing & Housing Assembly	070011036BG	92-93
070 011 037	Crank Assembly	070011037BG	92-93
070 011 039	Ratchet Assembly	070011039BG	92-93
070 011 040Bg	Roller Ratchet (Bag 10)	070011040Bg	84-85
070 011 040BG	Roller-Ratchet Arm (Bag 10)	070011040BG	90-91
070 011 040BG	Roller-Ratchet Arm (Bag 10)	070011040BG	92-93
070 011 041	Belt Tightener Bracket Assy	070011041BG	84-85
070 011 042	Belt Tightner Assy	070011042BG	84-85
070 011 052	Ball Lift Assembly	070011052BG	82-83
070 011 052	Ball Lift Assembly	070011052BG	84-85
070 011 063	Shaft	070011063BG	86
070 011 064	V-Belt Gates #1450	070011064BG	82-83
070 011 064	V-Belt Gates #1450	070011064BG	92-93
070 011 066	Rudder Arm Supt Assy	070011066BG	90-91
070 011 067	Rudder Arm Supt	070011067BG	90-91
070 011 067	Rudder Arm Supt	070011067BG	94-95
070 011 068	Link Weld	070011068BG	90-91
070 011 077	Trip Finger	070011077BG	90-91
070 011 079	Rudder Drive Weld	070011079BG	90-91
070 011 080	Rudder Drive Assembly	070011080BG	90-91
070 011 092	Crank Shaft Weld	070011092BG	90-91
070 011 096	Roller	070011096BG	90-91
070 011 097	Crank Pulley	070011097BG	90-91
070 011 098	Sleeve	070011098BG	90-91
070 011 100	Cam Sensor Weld	070011100BG	90-91
070 011 105	Roller Assembly	070011105BG	90-91
070 011 106	Spring Extension	070011106BG	88
070 011 106	Spring Extension	070011106BG	82-83
070 011 107	Trip Arm	070011107BG	90-91
070 011 108	Washer	070011108BG	90-91
070 011 109	Spring Clip	070011109BG	88
070 011 110	Cam Sensor Assembly	070011110BG	90-91
070 011 120	Light Ball Sensor Assembly	070011120BG	82-83
070 011 120	Light Ball Sensor Assy	070011120BG	90-91
070 011 121	Plug	070011121BG	90-91
070 011 122	Rudder Arm	070011122BG	90-91
070 011 123	Rod Assembly	070011123BG	90-91
070 011 124	Rod	070011124BG	90-91
070 011 131	Pulley Weld	070011131BG	87
070 011 131	Pulley Weld	070011131BG	88
070 011 132	Belt Tensioner Assembly	070011132BG	88
070 011 132	Belt Tensioner Assembly	070011132BG	82-83
070 011 132	Belt Tensioner Assy	070011132BG	94-95
070 011 133	Shaft	070011133BG	88
070 011 146	Paddle	070011146BG	90-91
070 011 147	V-Belt Gates #1380	070011147BG	82-83
070 011 147	V-Belt Gates #1380	070011147BG	90-91
070 011 148	V Belt	070011148BG	87
070 011 148	V Belt	070011148BG	88
070 011 148	V-BELT #1400	070011148BG	82-83
070 011 151	Spacer	070011151BG	90-91
070 011 170	Trip Cable Assy	070011170BG	74-75
070 011 171	Cable Assy	070011171BG	74-75
070 011 172	Ball Joint 7/16	070011172BG	74-75

# CROSS REFERENCE LIST - CONTINUED

PART#	DESCRIPTION	CROSS REFERENCE	PAGE
070 011 173	Ball Joint 9/16	070011173BG	74-75
070 011 178	Crank Assembly	070011178BG	82-83
070 011 178	Crank Assembly	070011178BG	90-91
070 011 211	Danger Decal	070011211BG	100-101
070 011 217	Weld-Ratchet Arm Ball Lift	070011217BG	92-93
070 011 218	Arm Lever Weldment	070011218BG	86
070 011 225	Weld-Crank Adj Plate	070011225BG	90-91
070 011 250	Bracket-Switch	070011250BG	61
070 011 273	Tab	070011273BG	90-91
070 011 280	Liftbelt For Wide Deep Groove	070011280BG	84-85
070 011 286	Bushing-Curtain Rod	070011286BG	58
070 011 288	Rod Curtain	070011288BG	66-67
070 011 289	Bracket Shock Absorber	070011289BG	84-85
070 011 289	Bracket Shock Absorber	070011289BG	94-95
070 011 299	Brace-Sensor	070011299BG	90-91
070 011 310	Supt Be Mtr Guard	070011310BG	82-83
070 011 319	Support-Rudder Arm	070011319BG	90-91
070 011 319	Support Rudder Arm	070011319BG	94-95
070 011 323	Shock Absorber Assembly	070011323BG	84-85
070 011 323	Shock Absorber Assy	070011323BG	94-95
070 011 375	Lever Arm Assembly-Std	070011375 BG	86
070 011 392	Rh Belt Guard (Odd)	070011392BG	100-101
070 011 393	Lh Belt Guard (Even)	070011393BG	100-101
070 011 401	Guard Weld	070011401BG	82-83
070 011 401	Ball Lift Guard Weld	070011401BG	100-101
070 011 406	Rudder Cam Assembly Rh (Even)	070011406BG	90-91
070 011 407	Rudder Cam Assembly Lh (Odd)	070011407BG	90-91
070 011 408	Paddle-Kicker Roller	070011408BG	94-95
070 011 411	Weld Lift Arm Track Assembly	070011411BG	86
070 011 413	Lift Assembly-Trk Assembly Pbl	070011413BG	86
070 011 414	Track Rail Assembly Pbl	070011414BG	82-83
070 011 418	Trip-Cam	070011418BG	90-91
070 011 440	Track Cover Lower	070011440BG	86
070 011 523	Belt Tightener Assy R	070011523BG	89
070 011 523	Belt Tightener RH	070011523BG	94-95
070 011 524	Belt Tightener Assy L	070011524BG	89
070 011 524	Belt Tightener LH	070011524BG	94-95
070 011 525	Idler Sheave Assembly	070011525BG	89
070 011 526	Idler Sheave Belt Tightener	070011526BG	89
070 011 626	Trip Arm Assembly	070011626BG	90-91
070 011 641	Lh Urethane Ball Door Rng (Even)	070011641BG	58
070 011 641	Urethane Door Ring Lh (Even)	070011641 BG	82-83
070 011 642	Rh Urethane Ball Door Ring (Odd)	070011642BG	58
070 011 642	Urethane Door Ring Rh (Odd)	070011642BG	82-83
070 011 753	Relay Mtg. Bracket	070011753BG	14-15
070 011 753	Relay Mtg. Bracket	070011753BG	16-17
070 011 755	Relay 50/60Hz	070011755BG	14-15
070 011 755	Relay 50-60Hz	070011755BG	16-17
070 011 795	Shaft Upper D	070011795BG	84-85
070 011 796	Shaft Lower D	070011796BG	84-85
070 011 797	Bearing Ball D Bore	070011797BG	84-85
070 011 800	Hrness Lh-C1 & C2a	070011800BG	6-7
070 011 810	Belt Tightner Pbl	070011810BG	89
070 011 810	Belt Tightner Pbl	070011810BG	82-83
070 011 814	Spotting Cup Lexan	070011814BG	44-45
070 011 832	Pressure Plate For Ball Lift	070011832BG	84-85
070 011 840	Velcro Cushion Cover	070011840BG	66-67
070 011 841	Velcro Loop Cushion Rh (Odd)	070011841BG	66-67
070 011 842	Velcro Loop Cushion Lh (Even)	070011842BG	66-67
070 011 905	Grey Gripper (3 Belt Roll)	070011905BG	74-75
070 011 909	Poly V Dist Belt	070011909BG	74-75
070011099P	Cam Painted	070011099PBG	90-91
088 000 093	Sweep Link Stabilizer	088000093 BG	52
088 001 089	Decal 82-90Xli Glow	090006166BG	55
088 001 120	Tread Plate Even NOT SHOWN	088001120BG	60



PART#	DESCRIPTION	CROSS REFERENCE	PAGE
088 001 121	Tread Plate Odd	088001121BG	60
088 001 154	End Guard Safety Label	088001154BG	100-101
088 001 174	End Machine Guard	088001174BG	22-23
088 001 174	Machine End Guard Assembly	088001174BG	100-101
088 001 211	Pin Holder	088001211BG	36-37
088 001 216	Frame/Sweep/Dist Gauge	088001216BG	55
088 001 216	Frame/Sweep/Dist Gauge	088001216BG	42-43
088 001 217	Yoke Toe Gauge	088001217BG	42-43
088 001 230	Thimble	088001230BG	86
088 001 231	Clear Rail Cover	088001231BG	86
088 001 232	Black Rail Cover	088001232BG	86
088 001 233	Gripper Ball Lift Belt-(Narrow Shallow Groove)	088001233BG	84-85
088 001 233	Ball Lift Belt	088001233BG	94-95
088 001 351	End Fitting - Lh	088001351 BG	52
088 001 352	End Fitting - Rh	088001352 BG	52
088 005 501	Spot Tie Rod Asm	088005501BG	25
088 005 505	Stick N Slick Cup Liner	088005505BG	86
088 005 505	Stick N Slick Cup Liner	088005505BG	44-45
088 500 153	Tube Cross Long	088500153BG	36-37
088 500 154	Tube Shuttle Short	088500154BG	36-37
088 500 155	Tube Long Shuttle Asm.	088500155BG	36-37
088 500 157	Tube Shuttle Center	088500157BG	36-37
088 500 158	Cross Tube Short Shuttle Asm.	088500158BG	36-37
088 500 161	Clamp, End, Shuttle Asm.	088500161BG	36-37
088 500 162	90 Xi Shuttle Asm Metric	088500162BG	36-37
088 500 166	Strap Spring Bin	088500166BG	36-37
088 500 505BX	Carpet Belt In Box	088500505BX BG	68
088 500 505BX	Carpet Belt In Box	088500505BX BG	68
090 001 170	Brkt-Sweep R.H. (10 Side)	090001170BG	55
090 001 171	Brkt-Sweep L.H. (7 Side)	090001171BG	55
090 002 014	Shaft	090002014BG	87
090 002 015	Belt Tensioner Assembly	090002015BG	87
090 002 016	Extension Spring	090002016BG	87
090 002 024	Liner	090002024 BG	86
090 002 024	Liner-Black	090002024BG	44-45
090 002 538	Table Connector Bracket	090002538BG	18-19
090 003 077	Orienter Pan Assembly Dist.	090003077BG	72-73
090 003 401	Clutch Race With Slot	090003401BG	84-85
090 003 401	Clutch Race-With Slot	090003401BG	94-95
090 003 739	Adapter Cable For Above	090003739BG	38-39
090 003 795	Roller-Plastic	090003795BG	50
090 004 007	Tube Hanger Bracket (82-90 Style)	090004007BG	50
090 004 007	Tube Hanger Bracket (82-90 Style)	090004007BG	52
090 004 010	Sweep Rocker Arm	090004010BG	52
090 004 028	"Warning" Label	090004028BG	100-101
090 004 033	Spring Retainer	090004033BG	44-45
090 004 123	Respot Finger With Insert	090004123BG	46-47
090 004 123	Respot Finger Assembly	090004123BG	46-47
090 004 123	Respot Finger Assembly	090004123BG	48-49
090 004 123	Respot Finger With Insert	090004123BG	48-49
090 004 126	Kickplate Weldment Rh/Rhm (Odd)	090004126BG	58
090 004 126	Kickback Rh/Rh	090004126BG	82-83
090 004 127	Kickplate Weldment Lh/Rhm (Odd)	090004127BG	59
090 004 128	Kickplate Weldment Rh/Lhm (Even)	090004128BG	59
090 004 129	Kickplate Weldment Lh/Lhm (Even)	090004129BG	58
090 004 129	Kickback Lh/Lh	090004129BG	82-83
090 004 521	Receptacle Housing	090004521BG	22-23
090 005 015	Bearing Torque Tube (82-90 Style)	090005015BG	50
090 005 015	Bearing Torque Tube (82-90 Style)	090005015BG	52
090 005 118	Handrail	090005118BG	100-101
090 005 230	Cushion Cover Reinforced	090005230BG	66-67
090 005 250	Rod End	090005250BG	86
090 005 250	Rod End	090005250BG	34-35
090 005 250	Rod End	090005250BG	90-91
090 005 251	Tie Rod Assy Spotting	090005251BG	25

# CROSS REFERENCE LIST - CONTINUED

PART#	DESCRIPTION	CROSS REFERENCE	PAGE
090 005 251	Tie Rod Assy Respot	090005251BG	25
090 005 253	Tie Rod Assy	090005253BG	25
090 005 254	Dr Link Conn Rod Assy	090005254BG	52
090 005 256	Rod-End-Distributor Support	090005256BG	38-39
090 005 257	Rod End Male	090005257BG	52
090 005 258	Rod Assy	090005258BG	90-91
090 005 259	Rod Assy	090005259BG	86
090 005 262	Rod Link Assy	090005262BG	72-73
090 005 263	Shuttle Rod Assy	090005263BG	38-39
090 005 264	End Fitting Rh	090005264BG	25
090 005 264	End Fitting Rh	090005264BG	25
090 005 264	End Fitting - Rh	090005264BG	52
090 005 265	End Fitting Lh	090005265BG	25
090 005 265	End Fitting Lh	090005265BG	25
090 005 265	End Fitting Lh	090005265BG	52
090 005 270	Bounce Board Rh Front Phenolic (Odd)	090005270BG	68
090 005 270	Bounce Board Rh Front Phenolic (Odd)	090005270BG	68
090 005 271	Bounce Board Lh Front Phenolic (Even) NOT SHOWN	090005271BG	68
090 005 271	Bounce Board Lh Front Phenolic (Even) NOT SHOWN	090005271BG	68
090 005 272	Bounce Board Rh Rear Phenolic (Odd)	090005272BG	68
090 005 272	Bounce Board Rh Rear Phenolic (Odd)	090005272BG	68
090 005 273	Bounce Board Lh Rear Phenolic (Even) NOT SHOWN	090005273BG	68
090 005 273	Bounce Board Lh Rear Phenolic (Even) NOT SHOWN	090005273BG	68
090 005 275	Bounce Bd Assy R.H. (Odd)	090005275BG	68
090 005 275	Bounce Bd Assy R.H. (Odd)	090005275BG	68
090 005 276	Bounce Bd Assy L.H. (Even) NOT SHOWN	090005276BG	68
090 005 276	Bounce Bd Assy L.H. (Even) NOT SHOWN	090005276BG	68
090 005 554	Actuator Arm	090005554BG	44-45
090 005 576	Hanger-Spring	090005576BG	24
090 005 629	Pin	090005629BG	42-43
090 005 723	Solenoid-Insulated	090005723BG	38-39
090 005 723	Solenoid Universal	090005723BG	38-39
090 006 136	Shock Mount- 90/8800	090006136BG	52
090 006 166	Decal Amf Sweep Glow White Letters Black Background	090006166BG	55
090 006 663	Trip Stop Rod Assy	090006663BG	72-73
090 006 665	Cstg Trip Supt Dist Slot No Bearing	090006665BG	72-73
090 006 668	Trip Stop Rod And Support Casting Assy	090006668BG	72-73
090 008 017	Dual Pit Light Assembly 36" 120/60	090008017BG	6-7
090 008 017	Dual Pit Light Assy 36" 120/60	090008017BG	8-9
1 021 423	Collar 5/8X1 1/8 X 1/3	000021423BG	38-39
146 005 277	Washer	146005277BG	84-85
190 001 490	Bearing, Table Drive	190001490BG	22-23
190 001 490	Bearing Bl .8750 X .0875 X .5	190001490BG	30-31
190 001 490	Bearing Bl .8750 X 1.875 X .5	190001490BG	44-45
300 000 175	Urethane Cap-Sweep Bar	300000175BG	55
300 000 182	Sweep Bar & Cap Assembly	300000182BG	55
520 709 860	82-70 Sngl Chip Mp Bd W/Leds	520709860BG	16-17
610 088 086	PBL Mini Kit (with Adj Drive Link)	610704097**BG	82-83
610 088 087	PBL Full Kit (with LBS)	610704106BG	82-83
610 700 150	Sweep bar Kit For Machine Pair	610700150BG	55
610 700 153	End Machine Kit	610700153BG	22-23
610 700 156	82/70 Sweep Rocker Arm Replacement Kit	610700156BG	52
610 704 001	Respot Cell Fgr Kit (Not Shown)	610704001BG	46-47
610 704 001	Respot Cell Finger Kit	610704001BG	48-49
610 704 002	Cam Follower Assembly	610704002BG	24
610 704 002	Cam Follower Assembly	610704002BG	38-39
610 704 003	Torq Tube Conversion Kit	610704003BG	50
610 704 010	Table Cable Replacement Kit	610704010BG	18-19
610 704 012	Kit For Old Style Table Drive	610704012BG	30-31
610 704 014	Ball Idling Bracket Kit	610704014BG	68
610 704 014	Ball Idling Bracket Kit	610704014BG	68
610 704 015	Kit-Link Assy	610704015BG	38-39
610 704 026	Kit-#7 Respt Lever Assembly	610704026BG	48-49
610 704 032	Distributor Assembly	610704032BG	74-75
610 704 042-R	Be Lh Motor Gearbox 60 Hz	610704042-RBG	61

<b>PART#</b>	<b>DESCRIPTION</b>	<b>CROSS REFERENCE</b>	<b>PAGE</b>
610 704 043-R	Be Rh Motor Gearbox 60 Hz	610704043-RBG	61
610 704 052-R	FE Motor Combo Gearbox 60 Hz	610704052-RBG	22-23
610 704 098 82-83	Pbl Template & Drill Bits (Purchase One For Entire Center When Converting To Pbl Full Or Pbl Mini)		610704098BG
610 704 103	Spring Roller Pin Repair Kit	610704103BG	50
610 704 103	Kit-Spring Roller Pin Repair Kit	610704103BG	22-23
610 704 120	Double To Single Solenoid Conv. Kit	610704120BG	22-23
610 704 120	Conv Kit Dbl-Sgl Sol (Not Pictured)	610704120BG	38-39
610 704 120	Double To Single Solenoid Conversion Kit(Not Pictured)	610704120BG	38-39
610 704 127	Kit-Latch Override Use With Mp Chassis And 070006445 Latch Assembly	610704127BG	24
610 704 133	Pin Replacement Kit-Table Drive	610704133BG	30-31
610 704 141	Relay 50-60 Hz	610704141BG	14-15
610 704 141	Relay 50-60Hz Kit	610704141BG	16-17
610 709 811	82/70 Dist Belt Black Rough Top (For 3 Belts)	610709811BG	74-75
610 900 709	Straight Shaft & Spacer Kit Lower	610900709BG	84-85
610 900 709	Straight Shaft & Spacer Kit Lower	610900709BG	94-95
610 900 711	Straight Shaft & Spacer Kit Upper	610900711BG	84-85
610 902 026	Kickback Bracket Repair Kit	610902026BG	58
610 902 026	Kickback Bracket Repair Kit	610902026BG	59
610 905 704	Straight Bore Bearing & Spacer Kit	610905704BG	84-85
610 905 704	Straight Bore Bearing & Spacer Kit	610905704BG	94-95
612 070 012	Counterbalance Spring Eye Repair Kit	612070012BG	50
612 070 013	Ball Lift Pressure Kit	612070013*BG	82-83
612 070 013	Ball Lift Pressure Kit	612070013BG	84-85
612 070 014	Rear Roller Repair Kit	612070014BG	68
612 070 014	Rear Roller Repair Kit	612070014BG	68
700 107 170	Adhsve-Lkte 609	700107170BG	38-39
700 107 170	Adhesve-Loctite 609	700107170BG	84-85
701 310 036BG	Bearing Th .315 X .75 X 1/16 (Bag 10)	701310036BG	44-45
701 316 041BG	Bearing Th .5100 X 1 X 1/16 (Bag 10)	701316041BG	89
701 316 041BG	Brg Th.5100X 1 X1/16 Bag(10)	701316041BG	42-43
701 320 045BG	Bearing Th .628 X 1 X 1/8 (Bag 10)	701320045BG	88
701 320 045BG	Brg Th .628X 1 X1/8 (Bag 10)	701320045BG	94-95
701 320 046	Bearing Th .628 X 1 X 1/16	701320046BG	42-43
701 329 050BG	Bearing Th .8905 X 1.5 X 1/8 (Bag 10)	701329050BG	34-35
701 416 058	Bearing Fl.502X .627 X .875	701416058BG	38-39
701 710 098	Bearing Sp .313	701710098BG	74-75
701 712 097	Bearing Sp .375 X .628 Oi	701712097BG	72-73
701 849 124	Bearing Bl 1/4 Thrd Bore	701849124BG	74-75
709 007 037	Blt-Taper 3/8 X 2 1/4	709007037BG	59
710 501 002	Fittng-Almte 1612B	710501002BG	68
710 501 002	Fittng-Almte 1612B	710501002BG	68
710 501 004	Fittng-Almte	710501004BG	22-23
710 501 004	Fittng-Almte* 1641	710501004BG	30-31
710 501 007	Fittng-Almte 1792B	710501007BG	34-35
710 501 007	Fittng-Almte 1792B	710501007BG	84-85
710 501 009	Fittng-Almte	710501009BG	24
710 501 009	Fittng-Almte*3006	710501009BG	50
710 501 009	Fittng-Almte 3006	710501009BG	58
710 501 009	Fittng-Almte 3006	710501009BG	59
710 501 009	Fitting	710501009BG	42-43
710 501 012	Fittng-Almte	710501012BG	24
710 501 012	Fittng-Almte*1911B	710501012BG	38-39
710 501 013	Grease Fitting	710501013BG	25
710 501 013	Grease Fitting	710501013BG	25
710 501 013	Grease Fitting	710501013BG	52
710 501 013	Grease Fitting	710501013BG	52
710 502 010	Fittng-Heim Lu640	710502010BG	86
710 502 010	Rod-End-Distributor Support	710502010BG	38-39
710 502 010	Fittng-Heim*Lu640	710502010BG	38-39
710 502 010	Fittng-Heim Lu640	710502010BG	90-91
711 516 020	Grmt-Atl 1/2ld *2861	711516020BG	34-35
711 520 017	Grommet	711520017BG	6-7
711 520 017	Gromme	711520017BG	8-9
713 510 007	Pawl-Chassis Cover	713510007BG	14-15

# CROSS REFERENCE LIST - CONTINUED

PART#	DESCRIPTION	CROSS REFERENCE	PAGE
713 510 007	Pawl-Chassis Cover	713510007BG	16-17
718 506 006	Elbow, Street	718506006BG	22-23
721 502 005	Bushng-Rubber Monroe Shock	721502005BG	66-67
722 971 522	Sprng-Comp .480D X 7/8	722971522BG	90-91
722 985 512	Spring-Compression	722985512BG	90-91
724 501 072	Tin-Clip-Cbl.C 4506S	724501072BG	61
724 507 002BG	Tin-Nut C-160-1420 (Bag 10)	724507002BG	18-19
724 511 006	Tin-Nut-Spd.C814-832	724511006BG	62
724 511 050	Tin-Clip-Ty'U'c-8111	724511050BG	14-15
724 511 050	Tin-Clip-Ty'U'c-8111	724511050BG	16-17
724 511 074	Tin-Nut-Spd'u'c-1505	724511074BG	6-7
724 511 074	Tin-Nut-Spd'U'c-1505	724511074BG	8-9
724 517 107	Ring-Comp-Tinn .315	724517107BG	44-45
730 023 015	Shell	730023015BG	18-19
730 027 019	Stud-Ball 1/4-20	730027019BG	18-19
730 035 025	Clip-Ball-Joint Brass	730035025BG	18-19
730 036 025	Clip-Silver	730036025BG	18-19
740 501 001	Ballast-120/60	740501001BG	6-7
740 501 001	Ballast-120/60	740501001BG	8-9
742 502 002	Cap-Nyln Insl Bu2007	742502002BG	6-7
742 502 002	Cap-Nyln Insl Bu2007	742502002BG	8-9
742 503 004	Splice Cap Buch2006s	742503004BG	6-7
742 503 004	Splice Cap Buch2006s	742503004BG	8-9
743 000 020	Cptr-460-552Mfd110ac	743000020BG	6-7
743 000 020	Cptr-460-552Mfd110ac	743000020BG	8-9
743 502 024	Circuit Breaker Cb2/Cb3	743502024BG	14-15
743 502 024	Circuit Breaker Cb-2 & Cb-3	743502024BG	16-17
743 506 006	Circuit Breaker 3 Amp	743506006BG	14-15
743 506 006	Circ Brkr-3 Amp	743506006BG	16-17
743 507 007	Circ Brkr-1 Amp	743507007BG	16-17
744 203 014	Clamp-Burndy Hp-6N	744203014BG	27
744 203 014	Clamp-Burndy Hp-6N	744203014BG	6-7
744 203 014	Clamp-Burndy Hp-6N	744203014BG	8-9
744 203 014	Clamp-Burndy Hp-6N	744203014BG	34-35
746 001 016	Cnectr-Str #3302 1/2	746001016BG	10
746 001 016	Cnectr-Str #3302 1/2	746001016BG	6-7
746 001 016	Cnectr-Str #3302 1/2	746001016BG	8-9
746 001 016	Cnectr-Str #3302 1/2	746001016BG	34-35
746 003 008	Cnectr 90 Deg 266 3/8	746003008BG	6-7
746 003 008	Cnectr 90 Deg 266 3/8	746003008BG	8-9
746 007 105	Insulatd Line Splice	746007105BG	12-13
746 605 011	Cont Block Male 2 Pin	746605011BG	6-7
746 605 011	Cont Block Male 2Pin	746605011BG	8-9
746 605 011	Contact Block	746605011BG	100-101
748 010 034	Transient Voltage Suppressor	748010034BG	16-17
749 537 068	Washer	749537068BG	55
751 001 254	Lamp Daylight F30 T12	751001254BG	6-7
751 001 254	Lamp, Daylight F30t Dirs	751001254BG	8-9
751 001 423	Lamp Flourescent 30W	751001423BG	6-7
751 001 423	Lamp Flourescent 30W	751001423BG	8-9
751 001 460	Black Light 36"	751001460BG	6-7
751 001 460	Black Light 36"	751001460BG	8-9
754 010 336	Plug-3 Wire 30A 125V	754010336BG	10
754 010 336	Plug-3 Wire 30A 125V	754010336BG	6-7
754 010 336	Plug-3 Wire 30A 125V	754010336BG	8-9
754 010 337	Plug Arrowhart 50 Hz	754010337BG	10
754 010 337	Plug-Arrowhrt 50Hz	754010337BG	6-7
754 010 337	Plug-Arrowhrt 50Hz	754010337BG	8-9
754 020 312	Cnctr & Prng male 4720	754020312BG	6-7
754 020 312	Cnctr & Prngmale 4720	754020312BG	8-9
755 010 303	Recptcl-3 Wire Twstlk	755010303BG	6-7
755 010 303	Receptacle 3 Wire Twist Lock	755010303BG	8-9
755 020 359	Recpt-3 Wire 30A 125V	755020359BG	10
755 020 359	Rect 3 wire 30a 125v	755020359BG	6-7
755 020 359	RECPT-3 WIRE 30A 125V	755020359BG	8-9

PART#	DESCRIPTION	CROSS REFERENCE	PAGE
755 504 006	Relay P&B Ka5av 24V	755504006BG	16-17
755 504 048	Relay P&B T91	755504048BG	16-17
756 001 008	Rectifier-Bridge 12A	756001008BG	16-17
759 517 051	Swch Pshbtn 7/8 Dia	759517051BG	6-7
759 517 051	Stop Button	759517051BG	8-9
759 517 051	Palm Button Safety Switch	759517051BG	100-101
760 001 070	Term-Adptr-3000S-5-1	760001070BG	16-17
760 005 129	Termnal Amp#583361-4	760005129BG	16-17
760 006 195	Term Flg .250 X .032 Lp	760006195BG	20
760 006 195	Term Flg .250 X .032 Lp	760006195BG	12-13
760 011 197BG	Term-Pin.062 Dia Lp (Bag 20)	760011197BG	12-13
760 011 197BG	Term-Pin.062 Dia Lp (Bag 10)	760011197BG	18-19
760 015 038	Terminal, Flat Spade	760015038BG	10
760 015 038	Term-Amp	760015038BG	10
760 015 038	Term-Amp 41473	760015038BG	61
760 015 055	Term-Spde 42168-2	760015055BG	10
760 017 036	Term-Strait Amp 41729	760017036BG	10
760 017 036	Term-Strait Amp 41729	760017036BG	10
760 017 036	Term-Strait Amp 41729	760017036BG	10
760 017 036	Term-Strait Am	760017036BG	11
760 017 036	Term-Strait Amp41729	760017036BG	20
760 017 036	Term-Strait Amp	760017036BG	12-13
760 017 044	Term Str-Amp 41772 RI	760017044BG	10
760 019 201Bg	Term Skt .062 Dia Lp (Bag 20)	760019201Bg	10
760 019 201BG	Term Skt .062 Dia Lp (Bag of 20)	760019201BG	11
760 019 201BG	Term Skt .062 Dia Lp v	760019201BG	12-13
760 022 150	Term-18-14 Ga Wire	760022150BG	12-13
761 700 002	Varistor-Ge V4721	761700002BG	16-17
762 011 011	Trsfmr 115/230 50/60	762011011BG	16-17
762 015 015	Trsfmr 120 50/60	762015015BG	16-17
770 008 009	Spirap-Poly-5 Ft Strip	770008009BG	18-19
770 011 010	Tyrap 14.19 Inch Lg	770011010BG	50
770 011 010	Tyrap 14.19 Inch Lg	770011010BG	6-7
770 011 010	Tyrap 14.19 Inch Lg	770011010BG	8-9
770 011 029	Tyrap-7.31 Inch Lg	770011029BG	12-13
770 011 029	Tyrap-7.31 Inch Lg	770011029BG	18-19
785 501 655	Recpt Asy-West Comb	785501655BG	22-23
785 502 202	Screw Rdhd 3 X 10Mm	785502202BG	22-23
791 003 004	C-2A Circuit Tester	791003004BG	20
791 004 004	Continuity Test Light	791004004BG	20
792 020 044	Combination Square	792020044BG	42-43
792 505 005	Spring Puller	792505005BG	42-43
792 506 033	Insert-Respot/ Square Hole	792506033BG	46-47
792 506 033	Insert-Respot/ Square Hole	792506033BG	48-49
792 512 019	Amp Crimping Tool	792512019BG	20
801 239 160	Bolt Carriage 10-24	801239160BG	100-101
802 865 996BG	Screw-Hhc 3/8-16 X 9 1/2 (Bag 10)	802865996BG	90-91
802 865 996BG	Scr-Hhc 3/8-16 X 9 1/2 (Bag 10)	802865996BG	94-95
804 557 731	U-Bolt 5/16-18 X 4.440	804557731BG	52
806 249 060BG	Scr-St sq hd 1/4-20 X 3/8 (Bag 10)	806249060BG BG	74-75
806 265 160BG	Screw-Stsq 3/8-16 X 1 Cp (Bag 10)	806265160BG	68
806 265 160BG	Screw-Stsq 3/8-16 X 1 Cp (Bag 10)	806265160BG	68
806 265 160BG	Screw-Stsq 3/8-16 X 1 Cp (Bag 10)	806265160BG	82-83
806 265 160BG	Scr-Stsq 3/8-16 X 1 Cp (Bag 10)	806265160BG	84-85
806 265 160BG	Scr-Stsq 3/8-16 X 1 Cp (Bag 10)	806265160BG	94-95
806 265 240BG	Screw-Stsq 3/8-16 X 1 1/2 (Bag 10)	806265240BG	44-45
806 749 160	Scr Sqhd Set1/4-20X1	806749160BG	42-43
807 249 040BG	Screw 1/4-20 X 1/4 Cp (Bag 10)	807249040BG	94-95
807 249 160BG	Scr-Stso 1/4-20 X 1 Cp (Bag 10)	807249160BG BG	74-75
807 257 060BG	Screw Stcp 5/16-18 X 3/8 (Bag 10)	807257060BG	88
807 265 060	3/8-3/16 X 3/8 Socket Set,Cup Pt	807265060BG	82-83
807 265 060	3/8-3/16 X 3/8 Socket Set, Cup Pt	807265060BG	84-85
807 265 080	Scr-Stso3/8-16 X 1/2 Cp (Bag 10)	807265080BG	84-85
807 265 080BG	Scr-Stso3/8-16 X 1/2Cp (Bag 10)	807265080BG	94-95
807 357 040BG	Screw-Stso5/16-18 X 1/4 K (Bag 10)	807357040BG	88

# CROSS REFERENCE LIST - CONTINUED

PART#	DESCRIPTION	CROSS REFERENCE	PAGE
807 357 040BG	Screw-Stso5/16-18 X 1/4K (Bag 10)	807357040BG	38-39
807 357 040BG	Screw-Stso 5/16-18 X 1/4 (Bag 10)	807357040BG	90-91
807 357 060BG	Screw Stso 5/16-18 X 3 (Bag 10)	807357060BG	42-43
807 357 080BG	Screw-Stso5/16-18 X 1/2 (Bag 10)	807357080BG	61
807 358 060BG	Screw-Stso5/16-24 X 3/8 (Bag 10)	807358060BG	61
807 358 060BG	Screw-Stso 5/16-24 X 3/8 K (Bag 10)	807358060BG	79
808 549 080BG	1/4-20 X 1/2 Button Hd Cap (Bag 10)	808549080BG	34-35
808 549 160BG	Scr-Sobt 1/4-20 X 1 (Bag 10)	808549160BG BG	58
808 549 200BG	Scr-Sobt 1/4-20 X 1 1/4 (Bag 10)	808549200BG	74-75
808 549 240BG	Screw-Sobt 1/4-20 X 1 1/2 (Bag 10)	808549240BG	36-37
808 557 120	Scr-Sofil 5/16-18 X 3/4	808557120 BG	58
808 557 140BG	Screw-Sb hc 5/16-18 X 7/8 (Bag 10)	808557140BG	55
808 566 160BG	Screw-Sobt 3/8-24 X 1 (Bag 10)	808566160BG	60
808 640 121BG	Screw Soc Lk 10-32 X 3/4 (Bag 10)	808640121BG	46-47
808 640 121BG	Screw Soc Lk 10-32 X 3/4 (Bag 10)	808640121BG	48-49
808 640 141BG	Screw-Soc Lk 10-32 X 7/8 (Bag 10)	808640141BG	28-29
808 640 141BG	Screw-Soc Lk 10-32 X 7/8 (Bag 10)	808640141BG	46-47
808 640 141BG	Screw-Soc Lk 10-32 X 7/8 (Bag 10)	808640141BG	48-49
808 849 120BG	Screw-Sofil 1/4-20 X 3/4 (Bag 10)	808849120BG	60
808 849 160BG	Screw-Sofil 1/4-20 X 1 (Bag 10)	808849160BG	68
808 849 160BG	Screw-Sofil 1/4-20 X 1 (Bag 10)	808849160BG	68
808 849 565Bg	Screw Fl Soc Hd Cap Bag (10)	808849565Bg	84-85
808 857 160BG	Scr-Sofil 5/16-18 X 1 (Bag 10)	808857160BG	58
808 857 280BG	Screw Fsh 5/16-18 X 1 3/4 (Bag 10)	808857280BG	86
808 858 120BG	Screw-Sofil 5/16-24 X 3/4 (Bag 10)	808858120BG	60
808 858 240BG	Screw-Sofil5/16-24 X 1 1/2 (Bag 10)	808858240BG	60
808 865 140BG	Screw-Sofil 3/8-16 X 7/8 (Bag 10)	808865140BG	92-93
808 865 320BG	Screw-Sofil 3/8-16 X 2 (Bag 10)	808865320BG	66-67
808 865 400BG	Scr-Sofil 3/8-16 X 2 1/2(Bag10)	808865400BG	66-67
808 957 160BG	Screw 5/16-18 X 1 nylon point (Bag 10)	808957160BG	94-95
809 849 085	Screw-Hex 1/4-20 X 1/2	809849085BG	6-7
809 849 085	Screw-Hex 1/4-20 X 1/2	809849085BG	8-9
809 849 085	Screw-Hex 1/4-20 X 1/2	809849085BG	18-19
809 849 085	Screw-Hex 1/4-20 X 1/2	809849085BG	34-35
809 849 100BG	Scr-Hx 1/4-20 X 5/8 (Bag 10)	809849100BG	72-73
809 849 125	Screw-Hex 1/4-20 X 3/4	809849125BG	59
809 849 125	Screw-Hex 1/4-20 X 3/4	809849125BG	61
809 849 125	Screw-Hex 1/4-20 X 3/4	809849125BG	6-7
809 849 125	Screw-Hex 1/4-20 X 3/4	809849125BG	8-9
809 849 125	Screw-Hex 1/4-20 X 3/4	809849125BG	34-35
809 849 125	Screw-Hex 1/4-20 X 3/4	809849125BG	66-67
809 849 125	Screw-Hex 1/4-20 X 3/4	809849125BG	72-73
809 849 125	Screw-Hex 1/4-20 X 3/4	809849125BG	74-75
809 849 145BG	Screw-Hex 1/4-20 X 7/8 (Bag 10)	809849145BG	90-91
809 849 145BG	Scr-Hx 1/4-20 X 7/8 (Bag 10)	809849145BG	94-95
809 849 165	1/4-20 X 1 Screw Hh Gr8 Blk	809849165BG	74-75
809 849 165BG	Screw-Hex 1/4-20 X 1 (Bag 10)	809849165BG	68
809 849 165BG	Screw-Hex 1/4-20 X 1 (Bag 10)	809849165BG	68
809 849 165BG	Screw-Hex 1/4-20 X 1 (Bag 10)	809849165BG	34-35
809 849 165BG	Screw-Hex 1/4-20 X 1 (Bag 10)	809849165BG	42-43
809 849 165BG	Screw-Hex 1/4-20 X 1 (Bag 10)	809849165BG	44-45
809 849 205BG	1/4-20 X 1 1/4 Machine Screw (Bag 10)	809849205BG	68
809 849 205BG	1/4-20 X 1 1/4 Machine Screw (Bag 10)	809849205BG	68
809 849 205BG	Scr-Hx 1/4-20 X1 1/4 (Bag 10)	809849205BG	72-73
809 849 205BG	1/4-20 X 1 1/4 Machine Screw (Bag 10)	809849205BG	92-93
809 849 245BG	Screw-Hex 1/4-20 X 1 1/2 (Bag 10)	809849245BG	36-37
809 849 285BG	Screw-Hex 1/4-20 X 1 3/4 (Bag 10)	809849285BG	34-35
809 849 285BG	Screw-Hex 1/4-20 X 1 3/4 (Bag 10)	809849285BG	36-37
809 849 325BG	1/4-20 X 2 Cap Screw (Bag 10)	809849325BG	68
809 849 325BG	1/4-20 X 2 Cap Screw (Bag 10)	809849325BG	68
809 849 325BG	1/4-20 X 2 Cap Screw (Bag 10)	809849325BG	36-37
809 849 365BG	Scr-Hx 1/4-20 X 2 1/4 (Bag 10)	809849365BG	84-85
809 849 485BG	Scr-Hx 1/4-20X3 (Bag 10)	809849485BG	34-35
809 849 605BG	Screw-Hex 1/4-20 X 3 3/4 (Bag 10)	809849605BG	34-35
809 849 605BG	Scr-Hx 1/4-20 X 3 3/4 (Bag 10)	809849605BG	74-75

PART#	DESCRIPTION	CROSS REFERENCE	PAGE
809 849 885BG	Scr-Hx 1/4-20 X 5 1/2 (Bag 10)	809849885BG	74-75
809 857 080BG	Scr-Hx 5/16-18 X 1/2 (Bag 10)	809857080BG	72-73
809 857 125BG	Scr-Hx 5/16-18 X 3/4 (Bag 10)	809857125BG BG	58
809 857 125BG	Scr-Hx 5/16-18 X 3/4 (Bag 10)	809857125BG	59
809 857 125BG	Screw-Hex 5/16-18 X 3/4 (Bag 10)	809857125BG	60
809 857 125BG	Screw-Hex 5/16-18 X 3/4 (Bag 10)	809857125BG	61
809 857 125BG	Screw-Hx 5/16-18 X 3/4 (Bag 10)	809857125BG	22-23
809 857 125BG	Screw-Hex 5/16-18 X 3/4 (Bag 10)	809857125BG	66-67
809 857 125BG	Scr-Hx 5/16-18 X 3/4 (Bag 10)	809857125BG	94-95
809 857 165BG	Scr-Hx 5/16-18 X 1 (Bag 10)	809857165BG	59
809 857 165BG	Screw-Hex 5/16-18 X 1 (Bag 10)	809857165BG	60
809 857 165BG	Screw-Hx 5/16-18 X 1 (Bag 10)	809857165BG	22-23
809 857 165BG	Screw-Hex 5/16-18 X 1 (Bag 10)	809857165BG	66-67
809 857 165BG	Screw-Hex 5/16-18 X 1 (Bag 10)	809857165BG	82-83
809 857 165BG	Screw-Hex 5/16-18 X 1 (Bag 10)	809857165BG	90-91
809 857 165BG	Scr-Hx 5/16-18 X 1 (Bag 10)	809857165BG	94-95
809 857 205BG	Screw-Hex 5/16-18 X 1 1/4 (Bag 10)	809857205BG	60
809 857 205BG	Screw-Hex 5/16-18 X 1 1/4 (Bag 10)	809857205BG	61
809 857 205BG	Screw-Hex 5/16-18 X 1 1/4 (Bag 10)	809857205BG	68
809 857 205BG	Screw-Hex 5/16-18 X 1 1/4 (Bag 10)	809857205BG	68
809 857 205BG	Screw-Hex 5/16-18 X 1 1/4 (Bag 10)	809857205BG	66-67
809 857 205BG	Scr-Hx 5/16-18 X 1 1/4 (Bag 10)	809857205BG	94-95
809 857 245BG	Screw-Hex 5/16-18 X 1 1/2 (Bag 10)	809857245BG	55
809 857 405BG	Screw-Hx 5/16-18 X 2 1/2 (Bag 10)	809857405BG	22-23
809 857 565	Screw-Hex 5/16-18 X 3 1/2	809857565BG	61
809 857 880BG	Screw-Hex 5/16-18 X 5 1/2 (Bag 10)	809857880BG	90-91
809 865 125BG	Screw-Hex 3/8-16 X 3/4 (Bag 10)	809865125BG	42-43
809 865 165BG	Screw 3/8-16 X 1 (Bag 10)	809865165BG	59
809 865 165BG	Screw-Hex 3/8-16 X 1 (Bag 10)	809865165BG	86
809 865 165BG	Screw-Hex 3/8-16 X 1 (Bag 10)	809865165BG	34-35
809 865 165BG	Screw-Hex 3/8-16 X 1 (Bag 10)	809865165BG	38-39
809 865 165BG	Screw 3/8-16 X 1 (Bag 10)	809865165BG	84-85
809 865 165BG	Screw-Hex 3/8-16 X 1 (Bag 10)	809865165BG	90-91
809 865 205BG	Scr-Hx 3/8-16 X 1 1/4 (Bag 10)	809865205BG BG	58
809 865 205BG	Screw-Hex 3/8-16 X 1 1/4 (Bag 10)	809865205BG	86
809 865 205BG	Screw-Hex 3/8-16 X 1 1/4 (Bag 10)	809865205BG	38-39
809 865 205BG	Screw Hex 3/8-16X1 1/4 (Bag 10)	809865205BG	42-43
809 865 205BG	Screw-Hex 3/8-16 X 1 1/4 (Bag 10)	809865205BG	90-91
809 865 245BG	Screw-Hex 3/8-16 X 1 1/2 (Bag 10)	809865245BG	25
809 865 245BG	Screw-Hex 3/8-16X1 1/2 (Bag 10)	809865245BG	50
809 865 245BG	Screw-Hex 3/8-16 X 1 1/2 (Bag 10)	809865245BG	44-45
809 865 245BG	Scr-Hx 3/8-16 X 1 1/2 (Bag 10)	809865245BG	94-95
809 865 285	Screw-Hex 3/8-16 X 1-3/4	809865285BG	52
809 865 285	Screw-Hex 3/8-16 X 1 3/4	809865285BG	82-83
809 865 325BG	Screw-Hex 3/8-16 X 2 (Bag 10)	809865325BG	86
809 865 365BG	3/8-16 X 2-1/4 Hex Head Screw (Bag 10)	809865365BG	44-45
809 865 405BG	Screw-Hex 3/8-16 X 2 1/2 (Bag 10)	809865405BG	90-91
809 865 405BG	Scr-Hx 3/8-16 X 2 1/2 (Bag 10)	809865405BG	94-95
809 865 445BG	Scr-Hx 3/8-16 X 2 3/4 (Bag 10)	809865445BG	84-85
809 865 565BG	Screw-Hex 3/8-16 X 3-1/2 (Bag 10)	809865565BG	52
809 865 645BG	Scr-Hx 3/8-16 X 4 (Bag 10)	809865645BG	58
809 865 645BG	Scr-Hx 3/8-16 X 4 (Bag 10)	809865645BG	59
809 865 645BG	Screw-Hx 3/8-16 X (Bag 10)	809865645BG	22-23
809 865 992BG	Screw Hexhdcp 3/8-16 X 9 (Bag 10)	809865992BG	86
809 869 245BG	Screw-Hex 7/16-14 X 1 1/2 (Bag 10)	809869245BG	25
809 869 245BG	Screw-Hex 7/16-14X1 1/2 (Bag 10)	809869245BG	50
809 869 285	Screw-Hex 7/16-14 X 1 3/4	809869285BG	25
809 869 325BG	Screw-Hex Hd Cap 7/16-14 X 2 (Bag 10)	809869325BG	25
809 869 325BG	Screw-Hexhdcap7/16-14X2 (Bag 10)	809869325BG	50
809 869 365BG	Screw-Hex 7/16-14 X 2 1/4 (Bag 10)	809869365BG	25
809 869 365BG	Screw-Hex 7/16-14 X 2 1/4 (Bag 10)	809869365BG	25
809 869 365BG	Screw-Hex 7/16-14 X 2-1/4 (Bag 10)	809869365BG	52
809 869 405BG	Screw-Hex 7/16-14 X 2-1/2 (Bag 10)	809869405BG	52
809 870 285BG	Screw-Hex 7/16-20 X 1 3/4	809870285BG	30-31
809 870 325BG	Screw-Hex 7/16-20 X 2	809870325BG	30-31

# CROSS REFERENCE LIST - CONTINUED

PART#	DESCRIPTION	CROSS REFERENCE	PAGE
809 873 405BG	Screw-Hx 1/2-13 X 2 1/2 (Bag 10)	809873405BG	22-23
809 873 525BG	Scr-Hx 1/2-13X3 1/4 (Bag 100)	809873525BG	30-31
809 881 640BG	Screw-Hex Hdcap5/8-11X4 (Bag 10)	809881640BG	50
809 965 125BG	Screw-Hexplk 3/8-16 X 3/4	809965125BG	92-93
810 239 120BG	Screw-Soc 10-24 X 3/4 (Bag 10)	810239120BG	42-43
810 239 160BG	Scr-Soc 10-24 X 1 (Bag 10)	810239160BG BG	74-75
810 239 240BG	Scr-Soc 10-24 X 1 1/2 (Bag 10)	810239240BG	72-73
810 249 200BG	Screw-Soc 1/4-20 X 1 1/4 (Bag 10)	810249200BG	44-45
810 250 200BG	Screw-Soc 1/4-28 X 1 1/4 (Bag 10)	810250200BG	66-67
810 258 100BG	Screw 5/16 - 24 X 5/8 (Bag 10)	810258100BG BG	58
810 265 280BG	Screw-Soc 3/8-16 X 1 3/4 (Bag 10)	810265280BG	22-23
810 265 400BG	Screw-Schd 3/8-16 X 2 1/2 (Bag 10)	810265400BG	86
810 365 401BG	Screw-Shc Lk 3/8-16 X 2 1/2 (Bag 10)	810365401BG	86
812 039 162BG	Screw-Fihd 10-24 X 1 (Bag 10)	812039162BG	18-19
812 627 122	Screw-Rdhd 6-32 X 3/4	812627122BG	10
812 627 122	Screw-Rdhd #6-32 X 3/4	812627122BG	6-7
812 627 122	Screw-Rdhd 6-32 X 3/4	812627122BG	8-9
812 633 062BG	Scr-Rdhd #8-32X3/8Cd (Bag 10)	812633062BG	16-17
812 840 082BG	Scr-Rdhd 10-32X1/2 (Bag 10)	812840082BG	6-7
812 840 082BG	Scr-Rdhd= 10-32X1/2 (Bag 10)	812840082BG	8-9
813 227 162	Screw-Pnhd #6-32 X 1 Cd	813227162BG	6-7
813 227 162	Screw-Pnhd 6-32 X 1 Cd	813227162BG	8-9
813 321 062BG	Screw Cd (Bag 10)	813321062BG	11
813 321 062BG	Screw Cd (Bag 10)	813321062BG	12-13
813 327 062	6-32 X 3/8 Sltd Pan Head Screw	813327062BG	14-15
813 340 042BG	Scr-Pnhd 10-32X1/4Cd (Bag 10)	813340042BG	6-7
813 340 042BG	Scr-Pnhd #10-32X1/4Cd (Bag 10)	813340042BG	8-9
813 540 082BG	Scr #10-32X1/2Cd (Bag 10)	813540082BG	16-17
813 540 082BG	Screw-Trhd 10-32 X 1/2 Cd (Bag 10)	813540082BG	34-35
813 540 082BG	Screw 10-32 X 1/2Cd (Bag 10)	813540082BG	74-75
813 727 162	Screw 6-32 X 1.0 - Obs	813727162BG	28-29
813 933 162BG	Screw Hd 8-32 X 1.0 - OBS (Bag 10)	813933162BG	38-39
814 333 122BG	Scr-Hx 8-32X3/4 (Bag 10)	814333122BG	38-39
817 921 080	Screw Pnhd 4-40 X 1/2 Sems	817921080BG	62
817 921 080	Scr #4-40 X 1/2 Sem	817921080BG	16-17
818 221 102BG	Scr-Smrd #4-40X5/8 (Bag 10)	818221102BG	14-15
818 227 062	Screw-Smrd #6 X 3/8	818227062BG	14-15
818 227 062	Screw 6-32 X 3/8 Phil Rd	818227062BG	22-23
818 227 082BG	Scr-Smrd #6-32 X 1/2 (Bag 10)	818227082BG	62
818 227 082BG	Scr-Smrd #6-32X1/2 (Bag 10)	818227082BG	6-7
818 227 082BG	Scr-Smrd #6-32X1/2 (Bag 10)	818227082BG	8-9
818 227 082BG	Scr-Smrd #6-32X1/2 (Bag 10)	818227082BG	14-15
818 227 102	Screw-Smrd #6-32 X 5/8	818227102BG	14-15
818 227 102	Screw-Smrd #6-32 X 5/8	818227102BG	16-17
818 227 162BG	Scr-Smrd #6-32X1 (Bag 10)	818227162BG	16-17
818 227 162BG	Screw-Smrd 6-32 X 1 (Bag 10)	818227162BG	28-29
818 227 162BG	Screw-Smrd 6-32 X 1 (Bag 10)	818227162BG	34-35
818 227 202BG	Screw-Smrd 6-32X1 1/4 (Bag 10)	818227202BG	50
818 227 202BG	Screw-Smrd 6-32 X 1 1/4 (Bag 10)	818227202BG	61
818 227 402	Screw-Rh 6-32 X 2 1/2	818227402BG	27
818 233 042	Screw-Smrd #8-32 X 1/4 - OBS	818233042BG	14-15
818 233 062	Scr-Smrd #8-32X3/8	818233062BG	14-15
818 233 082	Screw-Smrd 8-32 X 1/2	818233082BG	27
818 233 082BG	Scr-Smrd #8-32 X 1/2 (Bag 10)	818233082BG	62
818 233 082BG	Scr-Smrd #8-32X1/2 (Bag 10)	818233082BG	6-7
818 233 082BG	Scr-Smrd #8-32X1/2 (Bag 10)	818233082BG	8-9
818 233 082BG	Scr-Smrd #8-32X1/2 (Bag 10)	818233082BG	14-15
818 233 082BG	Screw-Smrd 8-32 X 1/2 (Bag 10)	818233082BG	34-35
818 233 122BG	Scr-Smrd #8-32 X 3/4 (Bag 10)	818233122BG	62
818 233 122BG	Scr-Smrd #8-32X3/4 (Bag 10)	818233122BG	6-7
818 233 122BG	Scr-Smrd #8-32X3/4 (Bag 10)	818233122BG	8-9
818 233 122BG	Scr-Smrd #8-32X3/4 (Bag 10)	818233122BG	14-15
818 233 122BG	Scr-Smrd #8-32X3/4 (Bag 10)	818233122BG	16-17
818 239 122BG	Scr-Smrd #10-24X3/4 (Bag 10)	818239122BG	8-9
818 239 122BG	Screw-Smrd 10-24 X 3/4 (Bag 10)	818239122BG	22-23



PART#	DESCRIPTION	CROSS REFERENCE	PAGE
818 627 042BG	Scr-Smrd #6-32 X 1/4 (Bag 10)	818627042BG	62
818 627 042BG	Scr-Smrd #6-32X1/4 (Bag 10)	818627042BG BG	6-7
818 627 042BG	Scr-Smrd #6-32X1/4 (Bag 10)	818627042BG	8-9
818239122BG	Scr-Smrd #10-24X3/4 (Bag 10)	818239122BG BG	6-7
821 438 082	Screw, Hex Head Slotted (Type Ab) #10 X 1/2	821438082BG	94-95
823 126 062BG	Screw-Tap-Rd 6 X 3/8 Tya (Bag 10)	823126062BG	61
823 132 082BG	Screw-Tap-Rdt 8 X 1/2 (Bag 10)	823132082BG	16-17
824 332 082BG	Scr-Tap-Tr #8X 1/2 Tya (Bag 10)	824332082BG	14-15
826 032 060BG	Scr-Tat-Wa #8-3/8 (Bag 100)	826032060BG	6-7
826 032 060BG	Scr-Tat-Wa 8-3/8 (Bag 100)	826032060BG	8-9
828 127 062BG	Scr-Tdrd #6-32X3/8Tyd (Bag 10)	828127062BG	6-7
828 127 062BG	Scr-Tdrd+6-32X3/8Tyd (Bag 10)	828127062BG	8-9
828 127 062BG	Screw-Rdhd 6-32 X 3/8Tyd (Bag 10)	828127062BG	22-23
829 905 042	Screw-Drpk 0 X 1/4 Ty U	829905042BG	62
829 905 042	Screw-Drpk 0 X 1/4 Ty U	829905042BG	6-7
829 905 042	Screw-Drpk 0 X1/4 Ty U	829905042BG	8-9
830 057 002BG	Nut Acorn Lok 5/16-18 (Bag 10)	830057002BG	55
831 565 002BG	3/8-16 Hex Steel Machine Nut (Bag 10)	831565002BG	34-35
831 565 002BG	Nut-Hex 3/8-16 Cd (Bag 10)	831565002BG	72-73
831 566 002BG	Nut-Hex 3/8-24 (Bag 10)	831566002BG	84-85
831 566 002BG	Nut- Hex 3/8 - 24 (Bag 10)	831566002BG	94-95
831 573 002BG	Nut-Std Hex 1/2-13 (Bag 10)	831573002BG	90-91
834 527 002BG	Nut-Hex 6-32 Cd (Bag 10)	834527002BG	38-39
834 549 002	1/4-20 Steel Hex Nut, Pltd	834549002BG	74-75
834 557 002BG	Nut Hex 5/16-18 (Bag 10)	834557002BG	38-39
834 621 000BG	NUT-HEX 4-40 BRASS(Bag 10)	834621000BG BG	6-7
834 621 000BG	NUT-HEX 4-40 BRASS(Bag 10)	834621000BG	8-9
834 821 000BG	Nut-Hex 4-40 Brass (Bag 10)	834821000BG	11
834 821 000BG	Nut-Hex 4-40 Brass (Bag 10)	834821000BG	12-13
834 821 000BG	Nut-Hex 4-40 Brass (Bag 10)	834821000BG	16-17
834 821 000BG	4-40 Hex Brass Nut (Bag 10)	834821000BG	18-19
835 549 002BG	1/4-20 Jam Nut (Bag 10)	835549002BG	22-23
835 549 002BG	1/4-20 Jam Nut (Bag 10)	835549002BG	38-39
835 549 002BG	1/4-20 Jam Nut (Bag 10)	835549002BG	42-43
835 549 002BG	Nut-Hx-Jam 1/4-20 (Bag 10)	835549002BG BG	74-75
835 550 002	Nut-Hex-Jam 1/4-28	835550002BG	27
835 550 002BG	Nut-Hex-Jam 1/4-28 (Bag 10)	835550002BG	28-29
835 550 002BG	Nut Hex Jam 1/4-28 (Bag 10)	835550002BG	42-43
835 558 002BG	Nut-Hex-Jam 5/16-24 (Bag 10)	835558002BG	48-49
835 558 002BG	Nut-Hex-Jam 5/16 -24 (Bag 10)	835558002BG	82-83
835 565 002	3/8 X 16 Hex Nut - Thin	835565002BG	38-39
835 565 002	3/8 X 16 Hex Nut - Thin	835565002BG	44-45
835 565 002	3/8 X 16 Hex Nut - Thin	835565002BG	94-95
835 566 002	3/8-24 Hex Stl Thin Nut	835566002BG	86
835 566 002	3/8-24 Hex Stl Thin Nut	835566002BG	34-35
835 566 002	3/8-24 Hex Stl Thin Nut	835566002BG	38-39
835 566 002	3/8-24 Hex Stl Thin Nut	835566002BG	90-91
835 570 002BG	Nut-Hex-Jam 7/16-20Hy (Bag 10)	835570002BG	25
835 570 002BG	Nut-Hex-Jam 7/16-20Ry (Bag 10)	835570002BG	25
835 570 002BG	Nut-Hex-Jam 7/16-20Hy (Bag 10)	835570002BG	52
835 570 002BG	Nut-Hex-Jam 7/16-20Hy (Bag 10)	835570002BG	38-39
835 573 002BG	Nut-Hx-Jam 1/2-13 Cd (Bag 10)	835573002BG	94-95
835 574 002BG	Nut-Hex-Jam 1/2-20 Cd (Bag 10)	835574002BG	52
835 582 002	5/8-18 Unf Hex Thin Nut- Pltd	835582002BG	52
835 582 002	5/8-18 Unf Hex Thin Nut- Pltd	835582002BG	72-73
835 650 002BG	Nut Hex Jam 1/4-25 Lh (Bag 10)	835650002BG	42-43
835 670 002BG	Nut-Hex-Jam 7/16-20Lh (Bag 10)	835670002BG	25
835 670 002BG	Nut-Hex-Jam 7/16-20Lh (Bag 10)	835670002BG	25
835 670 002BG	Nut-Hex-Jam 7/16-20Lh (Bag 10)	835670002BG	52
835 674 002BG	Nut-Hex-Jam 1/2-20 Lh (Bag 10)	835674002BG	52
838 727 002BG	Nut-Hex-Esn 6-32 Lt (Bag 10)	838727002BG	28-29
838 866 002BG	Nut-Hex-Esn-Tn 3/8-24 (Bag 10)	838866002BG	86
838 866 002BG	Nut-Hex-Esn-Tn 3/8-24 (Bag 10)	838866002BG	90-91
838 866 002BG	Nut-Hex-Esn-Tn 3/8-24 (Bag 10)	838866002BG	92-93
839 527 002BG	6-32 Flex Nut (Bag 10)	839527002BG	61

# CROSS REFERENCE LIST - CONTINUED

PART#	DESCRIPTION	CROSS REFERENCE	PAGE
839 527 002BG	Nut-Flx-Tk #6-32 Ht (Bag 10)	839527002BG	6-7
839 527 002BG	Nut-Flx-Tk #6-32 Ht (Bag 10)	839527002BG	8-9
839 527 002BG	Nut-Flx-Tk 6-32 Ht (Bag 10)	839527002BG	28-29
839 533 002BG	8-32 Lock Nut	839533002BG	38-39
839 539 002BG	Nut-Flx-Tk #10-24 Ht (Bag-10)	839539002BG	6-7
839 539 002BG	Nut-Flx-Tk #10-24 Ht (Bag-10)	839539002BG	8-9
839 539 002BG	Nut-Flx-Tk *10-24 Ht(Bag 10)	839539002BG	18-19
839 539 002BG	Nut-Flx-Tk #10-24 Ht (Bag 10)	839539002BG	30-31
839 539 002BG	Nut-Flx-Tk (Bag 10)	839539002BG	42-43
839 549 002BG	Nut-Flx-Tk 1/4-20 Ht (Bag 10)	839549002BG	50
839 549 002Bg	Nut-Flx-Tk 1/4-20 Ht (Bag 10)	839549002Bg	84-85
839 549 002BG	Nut-Flx-Tk 1/4-20 Ht (Bag 10)	839549002BG	92-93
839 549 002BG	Nut-Flx-Tk 1/4-20 Ht (Bag 10)	839549002BG	94-95
839 565 002BG	3/8-16 Hex Nylon Lock Nut (Bag 10)	839565002BG	90-91
839 665 002BG	Nut-Flx 3/8-16 (Bag 10)	839665002BG	24
839 665 002BG	Nut-Flx 3/8-16 (Bag 10)	839665002BG	52
839 665 002BG	Nut-Flx 3/8-16 (Bag 10)	839665002BG BG	58
839 665 002BG	Nut-Flx 3/8-16 (Bag 10)	839665002BG	59
839 665 002BG	Nut-Flx 3/8-16 (Bag 10)	839665002BG	42-43
839 665 002BG	Nut-Flx 3/8-16 (Bag 10)	839665002BG	44-45
839 665 002BG	Nut-Flx 3/8-16 (Bag 10)	839665002BG	66-67
839 665 002BG	Nut-Flx 3/8-16 (Bag 10)	839665002BG	84-85
839 665 002BG	Nut-Flx 3/8-16 (Bag 10)	839665002BG	94-95
840 039 002BG	10-24 Flex Nut Tn (Bag 10)	840039002BG	22-23
840 039 002BG	Nut-Flx-Tn #10-24 (Bag 10)	840039002BG	72-73
840 039 002BG	Nut-Flx-Tn #10-24 (Bag 10)	840039002BG BG	74-75
840 040 002BG	Nut-Flx-Tn #10-32 (Bag 10)	840040002BG	74-75
840 049 002BG	Nut Flex 1/4-20 (Bag 10)	840049002BG	34-35
840 057 002BG	Nut-Flex Thin 5/16-18 (Bag 10)	840057002BG	84-85
840 057 002BG	Nut-Flex Thin 5/16-18 (Bag 10)	840057002BG	94-95
840 065 002BG	Nut-Flx-Tn 3/8-16 (Bag 10)	840065002BG	25
840 065 002BG	Nut-Flx-Tn 3/8-16 (Bag 10)	840065002BG	50
840 065 002BG	Nut-Flx-Tn 3/8-16 (Bag 10)	840065002BG	58
840 065 002BG	Nut-Flx-Tn 3/8-16 (Bag 10)	840065002BG	38-39
840 065 002BG	Nut-Flx-Tn 3/8-16 (Bag 10)	840065002BG	90-91
840 066 002BG	Nut-Flx-Tn 3/8-24 (Bag 10)	840066002BG	42-43
840 070 002BG	Nut Flex 7/16-20 (Bag 10)	840070002BG	30-31
840 182 002BG	Nut Flx Lk 31Fk1018	840182002BG	30-31
840 381 002BG	Nut-Flx-Tk 5/8-11 (Bag 10)	840381002BG	44-45
840 600 002BG	Nut Flx Link 7/8 X 14 (Bag 10)	840600002BG	42-43
843 121 002	Nut-Kep 4-40 Wash	843121002BG	62
843 121 002	Nut-Kep 4-40 Wash	843121002BG	14-15
843 121 002	Nut-Kep 4-40 Wash	843121002BG	16-17
843 127 002	Nut-Kep 6-32 Wash	843127002BG	27
843 127 002BG	Nut-Kep 6-32 Wash (Bag 10)	843127002BG	50
843 127 002BG	Nut-Kep 6-32 Wash (Bag 10)	843127002BG	62
843 127 002BG	Nut-Kep #6-32 Wash (Bag 10)	843127002BG	6-7
843 127 002BG	Nut-Kep #6-32 Wash (Bag 10)	843127002BG	8-9
843 127 002BG	Nut-Kep 6-32 Wash (Bag 10)	843127002BG	14-15
843 127 002BG	Nut-Kep 6-32 Wash (Bag 10)	843127002BG	16-17
843 127 002BG	Nut-Kep 6-32 Wash (Bag 10)	843127002BG	34-35
843 133 002	Nut-Kep 8-32 Wash	843133002BG	27
843 133 002BG	Nut-Kep 8-32 Wash (Bag 10)	843133002BG	62
843 133 002BG	Nut-Kep #8-32 Wash (Bag 10)	843133002BG	6-7
843 133 002BG	Nut-Kep #8-32 Wash (Bag 10)	843133002BG	8-9
843 133 002BG	Nut-Kep 8-32 Wash (Bag 10)	843133002BG	14-15
843 133 002BG	Nut-Kep 8-32 Wash (Bag 10)	843133002BG	16-17
843 133 002BG	Nut-Kep 8-32 Wash (Bag 10)	843133002BG	34-35
843 133 002BG	Nut-Kep 8-32 Wash (Bag 10)	843133002BG	38-39
843 139 002BG	Nut, Keps Ext. Lkwshr (#10-24) (Bag 10)	843139002BG	22-23
843 139 002BG	Kep Nut 10-24	843139002BG	100-101
843 140 002BG	Nut-Kep 10-32 Wash (Bag 10)	843140002BG	14-15
843 140 002BG	Nut-Kep 10-32 Wash (Bag 10)	843140002BG	16-17
843 140 002BG	Nut-Kep 10-32 Wash (Bag 10)	843140002BG	28-29
843 140 002BG	Nut-Kep 10-32 Wash (Bag 10)	843140002BG	42-43

PART#	DESCRIPTION	CROSS REFERENCE	PAGE
844 049 002BG	Nut-Stvr-Lk 1/4-20 (Bag 10)	844049002BG	58
844 049 002BG	Nut-Stvr-Lk 1/4-20 (Bag 10)	844049002BG	59
844 049 002BG	1/4-20 Lock Nut (Bag 10)	844049002BG	60
844 049 002BG	1/4-20 Lock Nut (Bag 10)	844049002BG	61
844 049 002BG	1/4-20 Lock Nut (Bag 10)	844049002BG	68
844 049 002BG	1/4-20 Lock Nut (Bag 10)	844049002BG	68
844 049 002BG	Nut-Stvr-Lk 1/4-20 (Bag 10)	844049002BG	6-7
844 049 002BG	Nut-Stvr-Lk 1/4-20 (Bag 10)	844049002BG	8-9
844 049 002BG	1/4-20 Lock Nut (Bag 10)	844049002BG	18-19
844 049 002BG	1/4-20 Lock Nut (Bag 10)	844049002BG	34-35
844 049 002BG	1/4-20 Lock Nut (Bag 10)	844049002BG	36-37
844 049 002BG	1/4-20 Lock Nut (Bag 10)	844049002BG	42-43
844 049 002BG	1/4-20 Lock Nut (Bag 10)	844049002BG	44-45
844 049 002BG	1/4-20 Lock Nut (Bag 10)	844049002BG	46-47
844 049 002BG	1/4-20 Lock Nut (Bag 10)	844049002BG	48-49
844 049 002BG	1/4-20 Lock Nut (Bag 10)	844049002BG	66-67
844 049 002BG	Nut-Stvr-Lk 1/4-20 (Bag 10)	844049002BG	72-73
844 049 002BG	Nut-Stvr-Lk 1/4-20 (Bag 10)	844049002BG BG	74-75
844 049 002BG	1/4-20 Lock Nut (Bag 10)	844049002BG	90-91
844 050 002BG	Nut-Stvr-Lk 1/4-28 (Bag 10)	844050002BG	72-73
844 057 002BG	5/16-18 Stover Locknut (Bag 10)	844057002BG	52
844 057 002BG	5/16-18 Stover Locknut (Bag 10)	844057002BG	55
844 057 002BG	Nut Stvr Lk-5/16-18 (Bag 10)	844057002BG BG	58
844 057 002BG	Nut Stvr Lk-5/16-18 (Bag 10)	844057002BG	59
844 057 002BG	5/16-18 Stover Locknut (Bag 10)	844057002BG	60
844 057 002BG	5/16-18 Stover Locknut (Bag 10)	844057002BG	61
844 057 002BG	5/16-18 Stover Locknut (Bag 10)	844057002BG	68
844 057 002BG	5/16-18 Stover Locknut (Bag 10)	844057002BG	68
844 057 002BG	5/16-18 Stover Locknut (Bag 10)	844057002BG	86
844 057 002BG	5/16-18 Stover Locknut (Bag 10)	844057002BG	22-23
844 057 002BG	5/16-18 Stover Locknut (Bag 10)	844057002BG	42-43
844 057 002BG	5/16-18 Stover Locknut (Bag 10)	844057002BG	44-45
844 057 002BG	5/16-18 Stover Locknut (Bag 10)	844057002BG	66-67
844 057 002BG	5/16-18 Stover Locknut (Bag 10)	844057002BG	82-83
844 057 002BG	5/16-18 Stover Locknut (Bag 10)	844057002BG	90-91
844 057 002BG	Nut Stvr Lk-5/16-18 (Bag 10)	844057002BG	94-95
844 058 002BG	Nut-Stvr-Lk 5/16-24 (Bag 10)	844058002BG	58
844 058 002BG	Nut-Stvr-Lk 5/16-24 (Bag 10)	844058002BG	59
844 065 002BG	Nut-Stvr 3/8-16 (Bag 10)	844065002BG	86
844 065 002BG	3/8-16 Stover Lock Nut (Bag 10)	844065002BG	22-23
844 065 002BG	Nut-Stvr 3/8-16 (Bag 10)	844065002BG	34-35
844 065 002BG	Nut-Stvr 3/8-16 (Bag 10)	844065002BG	82-83
844 065 002BG	Nut-Stvr 3/8-16 (Bag 10)	844065002BG	92-93
844 069 002BG	Nut-Stvr-Lk 7/16-14 (Bag 10)	844069002BG	25
844 069 002BG	Nut-Stvr-Lk 7/16-14 (Bag 10)	844069002BG	25
844 069 002BG	Nut-Stvr-Lk 7/16-14 (Bag 10)	844069002BG	52
844 070 002BG	7/16-20 Stover Lock Nut (Bag 10)	844070002BG	24
844 070 002BG	Nut-Stvr-Lk 7/16-20 (Bag 10)	844070002BG	90-91
844 073 002BG	1/2-13 Stover Locknut (Bag 10)	844073002BG	24
844 073 002BG	1/2-13 Stover Locknut (Bag 10)	844073002BG	52
844 073 002BG	1/2-13 Stover Locknut (Bag 10)	844073002BG	22-23
844 073 002BG	1/2-13 Stover Locknut	844073002BG	30-31
844 073 002BG	Nut-Stvr-Lk 1/2-13 (Bag 10)	844073002BG	72-73
844 073 002BG	Nut-Stvr-Lk 1/2-13 (Bag 10)	844073002BG	94-95
844 074 002BG	Nut-Stvr-Lk 1/2-20 (Bag 10)	844074002BG	59
844 081 002BG	Nut-Stvr-Lk 5/8-11 (Bag 10)	844081002BG	50
845 100 000BG	Nut-Lock-Bearing N-10 (Bag 10)	845100000BG	84-85
846 100 000	Nut KI 1/2 Cndut Tb141	846100000BG	10
856 070 002BG	Nut-Flanged 7/16-20 (Bag 10)	856070002BG	84-85
856 070 002BG	Nut-Flanged 7/16-20 (Bag 10)	856070002BG	94-95
880 139 120BG	Screw-Shld 1/4 X 3/8	880139120BG	30-31
880 239 140BG	Screw1/4X1/2Lg.ShoulderBolt(Bag10)	880239140BG	22-23
900 104 071BG	Brg Sl Bz .253X7/16 (Bag 5)	900104071BG	30-31
900 106 081BG	Brg Sl .378 X .503 X 1/2 (Bag 5)	900106081BG	74-75
900 108 081	Bearing Sl Bz .503 X 1/2 Lg	900108081BG	94-95

# CROSS REFERENCE LIST - CONTINUED

PART#	DESCRIPTION	CROSS REFERENCE	PAGE
900 108 141	Bearing Sl .503 X 7/8	900108141BG	61
900 110 081BG	Bearing Sl .628 X .878 X 1/2 (Bag 10)	900110081BG	87
900 110 081BG	Bearing Sl .628 X .878 X 1/2 (Bag 5)	900110081BG	88
900 110 081BG	Brg Sl .628 X .878 X 1/2 (Bag 5)	900110081BG	94-95
900 110 121BG	Brg Sl .628 X 3/4 Lg (Bag 5)	900110121BG	84-85
900 110 141BG	Bearing Sl (Bag 10)	900110141BG	24
900 110 141BG	Brg Sl .628 X .878 X 7/8 (Bag 5)	900110141BG	94-95
900 110 161BG	Bushing .625 X .857 X 1.0 (Bag 5)	900110161BG	94-95
900 112 121	Bearing Sl .753 X 3/4 Lg	900112121BG	89
900 112 121	Bearing Sl .753 X 3/4 Lg	900112121BG	94-95
900 112 161BG	Brg Sl .753 X 1 (Bag 5)	900112161BG	84-85
900 112 203BG	Brg Sl.753 X 1 X 1 1/4-Brnz (Bag 5)	900112203BG BG	58
900 112 203BG	Brg Sl .753 X 1 X 1 1/4-Brnz (Bag 5)	900112203BG	59
900 112 203BG	Brg Sl .753 X 1 x 1 1/4-Brnz (Bag 5)	900112203BG	84-85
900 112 203BG	Brg Sl .753 X 1 X 1 1/4-Brnz (Bag 5)	900112203BG	94-95
900 114 101BG	Bearing Sl .877 X 1.128 X 5/8 (Bag 10)	900114101BG	34-35
900 204 121BG	Brg Fl.25X.378X3/4Lg (Bag 5)	900204121BG	38-39
900 205 053BG	Bearing Fl .315 X .44 X 5/16 (Bag 5)	900205053BG	18-19
900 205 053BG	Bearing Fl .315 X .44 X 5/16	900205053BG	30-31
900 205 053BG	Bearing Fl .315 X .44 X 5/16 (Bag 10)	900205053BG	44-45
900 205 081BG	Bearing Fl .315 X .44 X 1/2 Lg (Bag 5)	900205081BG	90-91
900 206 081BG	Brg Fl .378 X .688 X 1/2 (Bag 5)	900206081BG	84-85
900 206 091BG	Bearing Fl (.562 X .688 X .378) (Bag 10)	900206091BG	34-35
900 206 091Bg	Brg Fl .378 X .503 X 9/16 Bag(5)	900206091Bg	74-75
900 208 091BG	Brg Fl .503 X .690 X 9/16 Bag(5)	900208091BG	90-91
900 208 120	Bearing-Flange	900208120BG	87
900 208 161BG	Bearing Fl .503 X .875 X 1 (Bag 5)	900208161BG	61
900 208 161BG	Bearing Fl .503 X .875 X 1 (Bag 5)	900208161BG	89
900 208 161Bg	Brg Fl .503 X .875 Bag(5)	900208161Bg	84-85
900 210 101BG	Bearing Fl Bz .628 X 5/8 (Bag 5)	900210101BG	88
900 210 161BG	Bearing Fl Bz .628 X 1 (Bag 5)	900210161BG	86
900 210 161BG	Brg Fl Bz .628 X 1 (Bag 5)	900210161BG	38-39
900 212 161Bg	Brg Fl .753 X 1.003 X 1 Bag(5)	900212161Bg	84-85
900 212 161BG	Bearing Fl .753 X 1.003 X 1 (Bag 5)	900212161BG	92-93
900 212 201BG	Bearing Fl .753 X 1 X 1.25 (Bag 5)	900212201BG	90-91
900 212 201BG	Brg Fl .753 X 1 X 1.25 Bag(5)	900212201BG	94-95
907 000 100BG	Key-Hy Pro #403 (Bag 10)	907000100BG BG	74-75
907 000 200BG	Key-Hy Pro* 404 (Bag 10)	907000200BG	38-39
907 000 200BG	Key-Hy Pro 404 (Bag 10)	907000200BG	92-93
907 000 600BG	Key-Hy Pro 706 (Bag 10)	907000600BG	34-35
907 000 600BG	Key-Hy Pro 706 (Bag 10)	907000600BG	44-45
907 000 900BG	Key-Hy Pro 910 (Bag 10)	907000900BG	22-23
907 000 900BG	Key-Hy Pro 910 (Bag 10)	907000900BG	90-91
907 000 900BG	Key-Hy Pro #910 (Bag 10)	907000900BG	94-95
912 137 200BG	Pin-Grv 3/16X1 1/4T3 (Bag 10)	912137200BG	30-31
913 411 100BG	Pin-Sprng .078 X 5/8 (Bag 10)	913411100BG	68
913 411 100BG	Pin-Sprng .078 X 5/8 (Bag 10)	913411100BG	68
913 415 090BG	Pin Spring .094 X 9/16 (Bag 10)	913415090BG	72-73
913 415 100BG	Pin-Sprng .094 X 5/8 (Bag 10)	913415100BG	38-39
913 415 100BG	Pin-Sprng .094 X 5/8 (Bag 10)	913415100BG	38-39
913 415 120BG	Pin-Sprng.094 X 3/4 (Bag 10)	913415120BG	30-31
913 423 120BG	Pin Spring .125 X 3/4 (Bag 10)	913423120BG	79
913 423 120BG	Pin-Sprng.125 X 3/4 (Bag 10)	913423120BG	30-31
913 423 160BG	Pin Spring .125 X 1 (Bag 10)	913423160BG	42-43
913 431 160BG	Pin-Sprng .156 X 1 (Bag 10)	913431160BG	66-67
913 437 100BG	Pin-Sprng .187 X 5/8 (Bag 10)	913437100BG	46-47
913 437 100BG	Pin-Sprng .187 X 5/8 (Bag 10)	913437100BG	48-49
913 437 120BG	Pin Spring .187 X 3/4 (Bag 10)	913437120BG	79
913 437 140BG	Pin-Spring .187 X 7/8 (Bag 10)	913437140BG	72-73
913 437 140BG	Pin Spring .187 X 7/8 (Bag 10)	913437140BG	74-75
913 437 160BG	Pin-Spring .187 X 1 (Bag 10)	913437160BG	61
913 437 200	Pin-Spring .187 X 1 1/4	913437200BG	94-95
913 437 240BG	Pin-Sprng .187 X 1 1/2 (Bag 10)	913437240BG	44-45
913 437 240BG	Pin-Sprng .187 X 1 1/2 (Bag 10)	913437240BG	66-67
913 448 120BG	Pin-Sprng.250 X 3/4 (Bag 10)	913448120BG	38-39

PART#	DESCRIPTION	CROSS REFERENCE	PAGE
913 448 120BG	Pin-Sprng .250 X 3/4 (Bag 10)	913448120BG	90-91
913 464 280BG	Pin Spring .375 X 1 3/4 (Bag 10)	913464280BG	74-75
913 464 360BG	Pin-Sprng .375 X 2 1/4 (Bag 10)	913464360BG	24
913 464 400BG	Pin-Sprng .375 X 2 1/2 (Bag 10)	913464400BG	38-39
914 037 206BG	Spirol Pin 3/16 X 1 1/4 (Bag 10)	914037206BG	72-73
916 931 256	Resistor 20w 1.25K	916931256BG	6-7
916 931 256	Resistor 20w 1.25K	916931256BG	8-9
919 000 600BG	Ring-Ret. 5000-137	919000600BG	30-31
919 000 600BG	Ring-Ret. 5000-137 (Bag 10)	919000600BG	72-73
919 000 600BG	Ring-Ret. 5000-137 (Bag 10)	919000600BG	92-93
919 000 700BG	Ring - Ret (Bag 10)	919000700BG	50
919 000 700BG	Retaining Ring (Bag 10)	919000700BG	44-45
919 004 200BG	Ring-Ret. 5008-212 Bag(10)	919004200BG	72-73
919 005 000BG	Ring Ret. 5100-25 (Bag 10)	919005000BG	74-75
919 005 200Bg	Ring-Ret. 5100-31 (Bag 10)	919005200Bg	84-85
919 005 200BG	Ring-Ret. 5100-31 (Bag 10)	919005200BG	90-91
919 005 200BG	Ring-Ret. 5100-31 (Bag 10)	919005200BG	92-93
919 005 300BG	Ring-Ret. 5100-37 (Bag 10)	919005300BG	72-73
919 005 300BG	Ring-Ret. 5100-37 (Bag 10)	919005300BG	90-91
919 005 400BG	Ring-Ret. 5100-43 (Bag 10)	919005400BG	59
919 005 500BG	Ring-Ret .5100-50 (Bag 10)	919005500BG	87
919 005 500BG	Ring-Ret. 5100-50 (Bag 10)	919005500BG	90-91
919 005 600BG	Ring-Ret .5100-62 (Bag 10)	919005600BG	87
919 005 600BG	Ring-Ret. 5100-62 (Bag 10)	919005600BG	88
919 005 600BG	Ring-Ret. 5100-62 (Bag 10)	919005600BG	72-73
919 005 600BG	Ring-Ret. 5100-62 (Bag 10)	919005600BG	84-85
919 005 600BG	Ring-Ret. 5100-62 (Bag 10)	919005600BG	94-95
919 005 800BG	Ring-Ret. 5100-75 (Bag 10)	919005800BG BG	58
919 005 800BG	Ring-Ret. 5100-75 (Bag 10)	919005800BG	59
919 005 800BG	Ring-Ret. 5100-75 (Bag 10)	919005800BG	89
919 005 800BG	Ring-Ret. 5100-75 (Bag 10)	919005800BG	84-85
919 005 800BG	Ring-Ret. 5100-75 (Bag 10)	919005800BG	92-93
919 005 800BG	Ring-Ret. 5100-75 (Bag 10)	919005800BG	94-95
919 005 900BG	Ring-Ret .5100-87 (Bag 10)	919005900BG	87
919 006 800BG	Ring Ret. 5115-37 (Bag 10)	919006800BG	74-75
919 010 200BG	Ring-Ret. 5133-25 (Bag 10)	919010200BG	48-49
919 010 700BG	Ring-Ret. 5133-62 (Bag 10)	919010700BG	52
933 623 050	Rvt-Semi Tublr Stl	933623050BG	46-47
933 623 050	Rvt-Semi Tublr Stl	933623050BG	48-49
937 000 000BG	Rivet Drive 1/4 X 11/32 (Bag 10)	937000000BG	58
937 000 000BG	Rivet Drive 1/4 X 11/32 (Bag 10)	937000000BG	59
937 710 005	Aluminum Drive Rivet	937710005BG	59
938 637 100BG	Pop Rvt 3/16 Al Dme Hd (Bag 10)	938637100BG	55
940 372 000	Sleeving-Exp 1/2 Dia (Order 6 Ft.)	940372000BG	10
941 072 200BG	Wshr-1/2 X 1-1/4 X .083 (Bag 10)	941072200BG	59
945 091 242	Washer-1 X 1 1/2	945091242BG	66-67
945 867 242BG	Washer-13/32X1 1/2 (Bag 10)	945867242BG	50
946 400 002BG	Wshr-25/64 X 23/32 (Bag 10)	946400002BG	94-95
948 631 062	Washer #6 Sae Flat Washer	948631062BG	34-35
948 637 072BG	Wshr- 3/16X7/16X3/64 (Bag 10)	948637072BG	14-15
948 722 111BG	Washer-Pl 11/32 Bl Oxide (Bag 10)	948722111BG	55
948 745 082BG	Washer- 7/32 X 1/2 X 1/16 (Bag 10)	948745082BG	28-29
948 745 082BG	Wshr- 7/32 X 1/2 X 1/16 (Bag 10)	948745082BG	72-73
948 753 102BG	Washer-9/32 X 5/8 X 1/16 (Bag 10)	948753102BG	60
948 753 102BG	Washer 9/32 X 5/8 X 1/16 (Bag 10)	948753102BG	68
948 753 102BG	Washer 9/32 X 5/8 X 1/16 (Bag 10)	948753102BG	68
948 753 102BG	Washer-9/32 X 5/8 X 1/16 (Bag 10)	948753102BG	34-35
948 753 102BG	Washer 9/32 X 5/8 X 1/16 (Bag 10)	948753102BG	72-73
948 761 112BG	5/16 Wrought Washer (Bag 10)	948761112BG	52
948 761 112BG	5/16 Wrought Washer (Bag 10)	948761112BG	55
948 761 112BG	5/16 Wrought Washer (Bag 10)	948761112BG	68
948 761 112BG	5/16 Wrought Washer (Bag 10)	948761112BG	68
948 761 112BG	5/16 Washer (Bag 10)	948761112BG	22-23
948 761 112BG	5/16 Wrought Washer (Bag 10)	948761112BG	44-45
948 761 112BG	Washer 11/32 X 11/16 X 1/16 (Bag 10)	948761112BG	72-73

# CROSS REFERENCE LIST - CONTINUED

PART#	DESCRIPTION	CROSS REFERENCE	PAGE
948 761 112BG	5/16 Wrought Washer (Bag 10)	948761112BG	82-83
948 761 112BG	Washer 11/32 X 11/16 X 1/16 (Bag 10)	948761112BG	84-85
948 761 112BG	5/16 Wrought Washer (Bag 10)	948761112BG	90-91
948 761 112BG	Washer 11/32 X 11/16 X 1/16 (Bag 10)	948761112BG	94-95
948 767 132BG	Washer Sae Flat (Bag 10)	948767132BG	59
948 767 132BG	Washer 13/32 X 13/16 X 1/16 (Bag 10)	948767132BG	86
948 767 132BG	Washer 13/32 X 13/16 X 1/16 (Bag 10)	948767132BG	82-83
948 767 132BG	Washer 13/32 X 13/16 X 1/16 (Bag 10)	948767132BG	90-91
948 767 132BG	Washer 13/32 X 13/16 X 1/16	948767132BG	92-93
948 964 142BG	Wash-Pln 3/8 X 7/8 X 3/32 (Bag 10)	948964142BG	92-93
948 975 172BG	1/2 Uss Wrought Washer Type A (Bag 10)	948975172BG	89
948 975 172BG	Spacer Steel (Bag 10)	948975172BG	46-47
948 975 172BG	Spacer Steel (Bag 10)	948975172BG	48-49
948 975 172BG	1/2 Uss Wrought Washer Type A (Bag 10)	948975172BG	66-67
948 975 172BG	Wshr-17/32 X 1 1/16 (Bag 10)	948975172BG	72-73
948 975 172BG	Wshr-17/32 X 1 1/16 (Bag 10)	948975172BG	94-95
948 983 212BG	Wshr-21/32 X 1 5/16 (Bag 10)	948983212BG BG	84-85
948 983 212BG	Wshr-21/32 X 1 5/16 (Bag 10)	948983212BG	94-95
949 100 002BG	Washer-59/64 X 15/32 (Bag 10)	949100002BG	25
949 100 002BG	Washer-59/64 X 15/32 (Bag 10)	949100002BG	25
949 100 002BG	Washer-59/64X15/32 (Bag 10)	949100002BG	50
949 100 002BG	Washer-59/64 X 15/32 (Bag 10)	949100002BG	52
949 100 002BG	Washer 59/64 X 15/32 (Bag 10)	949100002BG	90-91
950 001 008	Spacer	950001008BG	84-85
951 020 000BG	Wshr-Lk-Split # 4 (Bag 10)	951020000BG	12-13
951 020 000BG	Wshr-Lk-Split # 4 (Bag 10)	951020000BG	16-17
951 138 000BG	Wshr-Lk-Split # 10 (Bag 10)	951138000BG	46-47
951 138 000BG	Washer-Lk-Split # 10 (Bag 10)	951138000BG	48-49
951 148 002BG	1/4" Split Lockwasher Med Pltd (Bag10)	951148002BG	66-67
951 164 002BG	Wshr-Lk-Split 3/8 (Bag 10)	951164002BG	59
951 164 002BG	Washer-Lk-Split 3/8 (Bag 10)	951164002BG	86
951 164 002BG	Washer-Lk-Split 3/8 (Bag 10)	951164002BG	66-67
951 164 002BG	Wshr-Lk-Split 3/8 (Bag 10)	951164002BG	84-85
957 000 002	#6 Ext Star Lockwasher	957000002BG	38-39
957 100 002BG	#10 Ext Tooth Lockwasher. Pltd (Bag 10)	957100002BG	34-35
957 100 002BG	Washer Shockproof (Bag 10)	957100002BG	74-75
958 584 002	Washer-Shkprf	958584002BG	86
963 100 002BG	Washer-X 3/32 9000-6 (Bag 10)	963100002BG	48-49
963 200 002	Washer-X 1/8 9000-8	963200002BG	27
963 200 002BG	Washer-X 1/8 9000-8 (Bag 10)	963200002BG	18-19
963 200 002BG	Washer-X 1/8 9000-8 (Bag 10)	963200002BG	28-29
963 200 002BG	Washer-X 1/8 (Bag 10)	963200002BG	42-43
963 200 002BG	Washer-X 1/8 9000-8 (Bag 10)	963200002BG	46-47
963 200 002BG	Washer-X 1/8 9000-8 (Bag 10)	963200002BG	48-49
963 300 002BG	Wshr-X 5/32 9000-10 (Bag 10)	963300002BG	30-31
963 400 002BG	Washer-X 3/16 9000-12 (Bag 10)	963400002BG	50
963 400 002BG	Washer-X 3/16 (Bag 10)	963400002BG	42-43
963 400 002BG	Washer-X 3/16 9000-12 (Bag 10)	963400002BG	46-47
963 600 002BG	Wshr-X 1/4 9000-16 (Bag 10)	963600002BG	59
963 600 002BG	Washer-X 1/4 9000-16 (Bag 10)	963600002BG	61
963 600 002BG	Washer-X 1/4 9000-16 (Bag 10)	963600002BG	89
963 600 002BG	Washer-X 1/4 9000-16 (Bag 10)	963600002BG	66-67
963 600 002BG	Wshr-X 1/4 9000-16 Bag(10)	963600002BG	94-95



**QUBICA**  **AMF**  
**PARTS INDEX**



# PARTS INDEX

ITEM#	PART#	DESCRIPTION	PAGE#
	000020000	Carl Klauck Distributor Tool	76
	000022080	GRAY KICKER ROLLER	98
	000023170	sweep bracket RH&LH	54
	000024598	ADJUSTABLE SPEED SHEAVE	64
	000024598	adjustable speed sheave	64
	000024599	ADJUSTABLE SPEED RUDDER DRIVE SHEAVE	98
	000024606	Adjustable Lift Support	86
	000028540	SPRING LOADED DRIVE LINK ASSEMBLY	99
	000028541	END CAP (OBS)	99
	000028543	BUSHING	99
	000028544	SPRING	99
	000028548	FRONT CAP	99
	030002748	Cam Gauge	23
	030002748	cam gauge	55
	030003542	Clip Belt Lacer ADAP	77
	030003542	Clipper Belt Lacer	76
	030003943	Motor Crank	23
	030005678	GRIPPER BELT (OBS) 82-30 BELTS	77
	30005923	relay	23
	030006789	POLY V BELT 82-30 BELTS	77
	070003195	sweep shock mount	54
	070006201	belt guide	76
	070006519	Position Gauge	37
	070006757	Rough Top Belt 82-70 BELTS	77
	070011429	RED KICKER ROLLER	98
	070011435	ORANGE KICKER ROLLER	96
	070011635	YELLOW KICKER ROLLER	96
	070011636	GREEN KICKER ROLLER	96
	070011840	VELCRO CUSHION COVER (first installation)	65
	070011841	VELCRO CUSHION COVER (old machine)	65
	070011842	VELCRO CUSHION COVER (even machine)	65
	070011905	THE GRIPPER 82-70 BELTS	77
	070011909	Poly V Belt 82-70 BELTS	77
	070011910	ORIENTOR PAN COVER	76
	070011912	UNIBAR BELT LACING & PIN	77
	088001211	super slick pin holder	37
	088001216	Frame/Sweep/Dist Gauge	76
	088001216	Frame/Sweep/Dist Gauge	55
	088001230	Thimble	86
	088001231	Clear Rail Cover (Lower)**	86
	088001232	Black Rail Cover (Upper)	86
	088001233	GRIPPER BALL LIFT BELT	67
	088001233	Ball Lift Belt	86
	090001170	slide free sweep bracket	54
	090005256	ROD END	99
	090006136	sweep shock mount	54
	090006668	TRIP ROD & CAST ASSEMBLY	76
	520316526	120v 60hz MP chassis	17
	610000009	wiring manual 82-70	9
	610007030	pc board components manual	17
	610049510	Gripper PBL kit	86
	610309044	solid state motor switch	23
	610309046	SOLID STATE SWITCH FOR BACK END MOTORS	61
	610703060	sweep bar kit 90 style	54
	610704006	clutch repair kit	76
	610704011	yoke repair kit	45
	610704052	Combo Westinghouse 60Hz Motor	22
	610704097	PBL PLUS CONVERSION KIT	99
	610704103	SPRING ROLLER PIN REPAIR KIT	26
	610704103	spring roller pin repair kit	25
	610709811	Rough Top Belt - Roll of 3 belts 82-70 BELTS	77
	610709812	White Nitrile Belt - Roll of 3 belts - 82-70 BELTS	77
	612070012	COUNTER BALANCE SPRING EYE REPAIR KIT	26

ITEM#	PART#	DESCRIPTION	PAGE#
	612070012	counter balance spring ey repair kit	25
	612070013	BALL LIFT PRESSURE KIT	97
	612070014	82-70 REAR ROLLER REPAIR KIT	70
	612700001	clutch kit	76
	715010205	PINION & SLEEVE LUBE	76
	715021706	Lube Oil 600W 1 Qt.	61
	784003000	Rivet Installation/Handle Tool	70
	785502260	110-220V / 50Hz	22
	791003004	C-2a circuit tester	8
	792018020	Magnetic Pick-Up Tool	70
	792501001	Carpet Removal Pin	70
	792502002	Carpet Flat Tool	70
	792505005	Spring Puller	70
	792505005	Spring Puller	76
	792505005	Spring Puller	23
	792505005	Spring Puller	37
	792512019	CRIMP TOOL	8
	792514040	BEARING INSTALLATION TOOL	83
	792514041	BEARING REMOVAL TOOL	83
	792516021	ROUGH TOP BELT SKIVER	96
	792516021	Rough Top Belt Skiver	76
	792517037	Torpedo Level	76
	835566002	JAM NUT	99
	6100700150	sweep bar for 2 machines	54
	07000635486	bin shock mount assembly	35
	610 070 300	MP chassis conversion kit	17
1	000 021 204	Spring	58
1	000 021 204	Spring	59
1	000 021 224	Dampener Vibration	68
1	000 021 224	Dampener Vibration	68
1	000 021 231	Socket	14-15
1	000 021 231	Socket	16-17
1	000 021 407	Idler Arm Assembly Rh (Odd)	94-95
1	000 021 408	Idler Pulley Asm	89
1	000 021 408	Idler Pulley Asm	84-85
2	000 021 408	Idler Pulley Asm	94-95
4	000 021 417	Idler Roller Assembly	94-95
1	000 021 423	Collar 5/8 X 1 1/8 X 1/2	88
1	000 021 423	Collar 5/8X1 1/8 X 1/2	38-39
1	000 021 423	Collar 5/8 X 1 1/8 X 1/2	90-91
5	000 021 423	Collar 5/8 X 1 1/8 X 1/2	94-95
2	000 021 427	Bearing Fl .629 X .878 X 1/8	90-91
6	000 021 427	Bearing Fl .629 X .878 X 1/8	94-95
7	000 021 428	Tube Adjusting Assy	94-95
1	000 021 431	Spring	61
8	000 021 435	Shaft Special	94-95
2	000 021 442BG	Washer-Rubber (Bag 10)	38-39
2	000 021 443	Spring Post	61
1	000 021 575	Insulator	27
1	000 021 575	Insulator	34-35
2	000 021 645	Lever Assembly-Switch	27
1	000 021 645	Lever Assembly-Switch	28-29
1	000 021 652	Pit Light Assembly 120/60	6-7
1	000 021 652	Pit Light Assembly 120/60	8-9
1	000 021 683	Retainer, Bearing	22-23
3	000 021 714	Screw-Adjusting	27
2	000 021 714	Screw-Adjusting	28-29
2	000 021 744	Bearing, Self Aligning	22-23
	000 021 784	Pacman Washer/ Slot Washer	50
1	000 021 784	Washer Slotted	42-43
1	000 021 792	Washer Frame	82-83
1	000 021 813	Wiper Support	86
2	000 021 813	Wiper Support	82-83



ITEM#	PART#	DESCRIPTION	PAGE#
3	000 021 814	Ring	82-83
1	000 021 878	Spacer Rod Assembly	30-31
2	000 021 880	Rod End Assembly	30-31
3	000 021 881	Bearing Bl .625 X 1.375	30-31
3	000 021 905	Bearing (Locking Collar)	22-23
2	000 021 914	Channel	68
2	000 021 914	Channel	68
3	000 021 992BG	Bumper-Grommet #2250 Bag(10)	61
2	000 021 992BG	Bumper-Grommet #2250 Bag(10)	34-35
9	000 022 077	Roller Shaft	94-95
10	000 022 080	Rubber Roller	94-95
11	000 022 082	Pulley-Roller Drive	94-95
12	000 022 092	Crank Plate Weldment	94-95
13	000 022 096	Idler Asm Elev	94-95
4	000 022 099	Belt V-Pitch Lt 1133 A112	82-83
14	000 022 099	Belt-V Pitch Lt 1133	94-95
3	000 022 168	Spring Sweep Brake	34-35
4	000 022 172	Sheave-Back End Drive	61
1	000 022 173	Nut-Special	72-73
1	000 022 173	Nut Special	74-75
15	000 022 173	Nut-Special	94-95
16	000 022 218	Idler Arm Assembly Lh (Even)	94-95
1	000 022 219	Pin Elevator Guard Assembly	100-101
2	000 022 222	Bkt Mtg Pin Elev Guard	100-101
2	000 022 249	Brkt Assembly-Lh (Even, 7 Side)	58
1	000 022 286	Collar-Strut Cushion	66-67
2	000 022 287	Washer Spring Seat	66-67
2	000 022 288	Spring-Lh (Even)	59
3	000 022 288	Spring Cushion	66-67
5	000 022 296BG	Insulator-Switch (Bag 10)	61
2	000 022 296BG	Insulator-Switch (Bag 10)	6-7
2	000 022 296BG	Insulator-Switch (Bag 10)	8-9
3	000 022 296BG	Insulator-Switch (Bag 10)	28-29
3	000 022 300	Shield	58
3	000 022 300	Shield	59
1	000 022 369	Drive Shaft-Lh (Even)	79
2	000 022 717	Pin-Drive Shaft	79
2	000 022 737	Rod End Lh	42-43
3	000 022 738	Rod End Rh	42-43
4	000 022 770	Pad Cush Sponge Rubbr	66-67
1	000 022 782	Spring Counter Balance	50
4	000 022 788	Box-Support	58
4	000 022 788	Box-Support	59
5	000 022 794	Block Support Rh (Odd)	58
5	000 022 794	Block Support Rh (10 Side)	59
6	000 022 795	Block Support Lh (7 Side)	58
6	000 022 795	Block Support Lh (7 Side)	59
7	000 022 796	Cushion Block-Urethane-Rh (10 Side)	58
7	000 022 796	Cushion Block-Urethane Rh (10 Side)	59
8	000 022 797	Cushion Block-Urethane-Lh (7 Side)	58
8	000 022 797	Cushion Block-Urethane Lh (7 Side)	59
2	000 022 811	Pillow Block	50
1	000 022 811	Pillow Block	52
6	000 022 821	Pin	61
5	000 022 821	Pin	66-67
6	000 022 822	Sleeve	66-67
7	000 022 823	Shock Absorber	66-67
8	000 022 824	Cushion Shock Assembly	66-67
7	000 022 828	Brkt-Shock Swch Mech	61
3	000 022 869BG	Washer (Bag 10)	90-91
9	000 022 878	Angle	58
9	000 022 878	Angle	59
10	000 022 924BG	Support (Bag 10)	58

ITEM#	PART#	DESCRIPTION	PAGE#
10	000 022 924BG	Support (Bag 10)	59
11	000 022 926	Retainer Support	58
2	000 023 104	Bearing Fl 1.25 X 1.5 X .953	52
3	000 023 105BG	Bearing-Slv .628 X .815 X .396 (Bag 10)	52
4	000 023 114BG	Brg Fl.628X.8155X.06 (Bag 10)	52
1	000 023 114BG	Brg Fl .628 X .8155 X .06 (Bag 10)	44-45
4	000 023 139	Arm-Crank	22-23
1	000 023 170	Steel Sweep Mtg Bracket Rh (10 Side)	55
2	000 023 171	Steel Sweep Mtg Brkt Lh (7 Side)	55
3	000 023 182	Slide Bar	55
5	000 023 279	Bumper-Urethane	52
11	000 023 431	Clip Bottom Rh (Odd)	59
12	000 023 432	Clip Bottom Lh (Even)	59
13	000 023 464	Support Weldmnt-Rh Mach Lh Side (Even)	59
14	000 023 465	Support Weldmnt-Lh Mach Rh Side (Odd)	59
15	000 023 467	Bearing Fl .314 X .434 X .310	59
16	000 023 468	Bracket	59
8	000 023 621	Lever Cush Assembly-Swch	61
9	000 023 625	Bumper-Sponge Rubber	61
3	000 023 646	Shim Yoke	50
10	000 023 673	Sheave	61
11	000 023 758BG	Gskt-Washer 3/8 Id X 7/8 Od (Bag 10)	61
17	000 023 821	Side Clip Weld	59
18	000 024 507	Pin Eject Assembly Lh (Even)	59
19	000 024 508	Pin Eject Assembly Rh (Odd)	59
20	000 024 510	Brkt Assembly-Lh (Even)	59
21	000 024 511	Brkt Assembly-Rh (Odd)	59
22	000 024 513	Spring-Rh (Odd)	59
23	000 024 515	Bearing Sl .44 X .56 X 3/4	59
24	000 024 516	Bearing Sl .44 X .56 X 3/8	59
9	000 024 534	Ear, Hanger Cushion	66-67
3	000 024 576	Roller Assembly-Front	68
3	000 024 576	Roller Assembly-Front	68
4	000 024 578	Roller Body-Front	68
4	000 024 578	Roller Body-Front	68
5	000 024 579	Roller Hinge	68
5	000 024 579	Roller Hinge	68
6	000 024 580	Shaft Hinge	68
6	000 024 580	Shaft Hinge	68
7	000 024 582BG	Pin Roller (Bag 10)	68
7	000 024 582BG	Pin Roller (Bag 10)	68
8	000 024 590	Front Roller Bearing	68
8	000 024 590	Front Roller Bearing	68
9	000 024 592	Hinge Assembly	68
9	000 024 592	Hinge Assembly	68
10	000 024 597	Link Assembly	68
10	000 024 597	Link Assembly	68
12	000 024 598	Adj Speed Sheave	61
17	000 024 599	Adj.Speed Sheave-Rudder Arm	94-95
2	000 024 603	Spring Comp. Ball Lift	84-85
3	000 024 605	Retainer Lower	84-85
4	000 024 606	Support	84-85
5	000 024 607	Tube	84-85
6	000 024 608	Retainer Upper	84-85
5	000 024 610	Stud Clamp	82-83
18	000 024 610	Stud-Clamp	94-95
19	000 024 612	Pad-Starter	94-95
20	000 024 614	Arm-Rudder	94-95
4	000 024 615	Shaft	90-91
21	000 024 615	Shaft	94-95
5	000 024 616	Clamp Stud	90-91
22	000 024 616	Clamp Stud	94-95
23	000 024 618	Nut-Carriage Assembly	94-95

# PARTS INDEX - CONTINUED

ITEM#	PART#	DESCRIPTION	PAGE#
24	000 024 622	Plug Rudder Arm	94-95
12	000 024 623	Segment-Rear Lh	58
25	000 024 623	Segment-Rear Lh (Even)	94-95
13	000 024 624	Segment-Rear Rh	58
26	000 024 624	Segment-Rear Rh (Odd)	94-95
14	000 024 625	Segment-Front Rh	58
27	000 024 625	Segment-Front Rh (Odd)	94-95
15	000 024 626	Segment Front Lh	58
28	000 024 626	Segment Front Lh (Even)	94-95
29	000 024 628	Pad-Rubber	94-95
30	000 024 631	Bearing Fl .752 X .877 X .151	94-95
31	000 024 634	Shaft	94-95
16	000 024 641	Stop Bumper	58
6	000 024 641	Stop Bumper	82-83
7	000 024 645	Upper Shaft	84-85
8	000 024 647	Roller	84-85
9	000 024 648	Pin Pivot	84-85
10	000 024 650	Roller Assembly	84-85
11	000 024 651	Link Assembly	84-85
32	000 024 651	Link Assembly	94-95
4	000 024 657	Spring	27
4	000 024 657	Spring	28-29
12	000 024 659	Yoke Lower	84-85
33	000 024 659	Yoke Lower	94-95
13	000 024 661	Pulley	84-85
34	000 024 661	Pulley	94-95
2	000 024 663	Cover Track Upper	86
3	000 024 666	Track Rail Weld	86
17	000 024 668	Track Supt Brkt	58
4	000 024 668	Track Support Bracket	86
7	000 024 673	Spring Dist	82-83
35	000 024 673	Spring-Dist	94-95
36	000 024 676	Brkt-Lower Track	94-95
37	000 024 678	Filler Assembly-Front	94-95
2	000 024 679	Bearing Bl .625 X 1.375	72-73
2	000 024 679	Bearing Bl .625 X 1.375	74-75
1	000 024 679	Bearing Bl .625 X 1.375	92-93
38	000 024 679	Bearing Bl .625 X 1.375	94-95
39	000 024 681	Screw-Hex Hd Cap	94-95
14	000 024 716	Spring Holder	84-85
40	000 024 716	Spring Holder	94-95
15	000 024 720	Link Assembly Upper	84-85
41	000 024 720	Link Assembly Upper	94-95
42	000 024 745	Nut Plate Asm	94-95
11	000 024 760	Front Roller Link Assembly	68
11	000 024 760	Front Roller Link Assembly	68
10	000 024 795	Wood Plank-Cushion Lh (Even)	66-67
11	000 024 796	Wood Plank-Cushion Rh (Odd)	66-67
12	000 024 801BG	Washer (Bag 10)	66-67
43	000 024 806	Sheave	94-95
13	000 024 807	Cushion-Rubber Rh (Odd)	66-67
14	000 024 808	Cushion-Rubber Lh (Even)	66-67
16	000 024 811	Pulley Assembly Rh 5" (Odd)	84-85
44	000 024 811	Pulley Assembly Rh (Odd)	94-95
17	000 024 812	Pulley Assembly Lh 5" (Even)	84-85
45	000 024 812	Pulley Assembly Lh (Even)	94-95
18	000 024 890	Jackscrew	58
25	000 024 890	Jackscrew	59
3	000 024 892	Retainer-Ball	79
4	000 024 893	Drive Shaft Assembly-Lh 82/70 (Even)	79
1	000 025 004	End Fitting Rh	25
22	000 025 004	End Fitting Rh	25
6	000 025 004	End Fitting Rh	52

ITEM#	PART#	DESCRIPTION	PAGE#
2	000 025 005	End Fitting Lh	25
23	000 025 005	End Fitting Lh	25
7	000 025 005	End Fitting Lh	52
7	000 025 049	Shield	10
2	000 025 068	Block-Term Amp	14-15
2	000 025 068	Block-Termamp2008382	16-17
8	000 025 078	Block-Term amp 2012981	10
3	000 025 078	Block-Term Amp	6-7
3	000 025 078	Block-Term Am	8-9
1	000 025 078	Block Term Amp	12-13
1	000 025 079	Block-Term Amp	18-19
1	000 025 144	Plug Male	11
19	000 025 207	Jack Screw Locking Insert Long	58
3	000 025 281	Riveted Bearing Respot Cell	74-75
1	000 025 292	Circuit Breaker Am12 (4 Terminals)	62
2	000 025 549	Collar 7/8 X 1 1/2 X 9/16	44-45
3	000 025 555	Fuse-Slo Blow 3 Amp	14-15
4	000 025 556BG	Catch Spring Lock (Bag Of 2)	6-7
4	000 025 556BG	Catch Spring Lock (Bag Of 2)	8-9
2	000 025 556BG	Catch Spring Lock (Bag 2)	18-19
9	000 025 557	Clip-Spring Lock	10
13	000 025 590	Receptacle Housing	61
5	000 025 603	Terminal Board	6-7
5	000 025 603	Terminal Board	8-9
46	000 025 621	Bearing Sl .502 X .689 X 2.495	94-95
12	000 025 622	Strap-Bonding	68
12	000 025 622	Strap-Bonding	68
47	000 025 638BG	Bumper Rubber-3/16 (Bag 10)	94-95
13	000 025 662BG	Screw-Nyloc (Bag 10)	68
13	000 025 662BG	Screw-Nyloc (Bag 10)	68
26	000 025 803	Roller-Pin Ejector Assembly	59
27	000 025 804	Shaft-Pin Ejector Assembly	59
4	000 025 863	Relay 24 V 50-60 Cy	14-15
3	000 025 863	Relay 24 V 50-60 Cy	16-17
2	000 025 865	Plunger Switch	62
4	000 025 865	Plunger Switch	16-17
14	000 025 906	Receptacle-Male	61
4	000 025 907	Plug Female (2 Pin)	10
3	000 026 027	Solenoid 60 Hz .156	38-39
1	000 026 031	Spring	87
2	000 026 031	Spring	88
4	000 026 031	Spring	74-75
8	000 026 031	Spring	82-83
6	000 026 031	Spring	90-91
3	000 026 037	Switch Toggle	62
5	000 026 042	Switch-Micro	27
4	000 026 042	Switch-Micro	50
5	000 026 042	Switch-Micro	28-29
15	000 026 043	Switch-Micro	61
4	000 026 043	Switch-Micro	34-35
3	000 026 081	Sleeve-Spring Post	72-73
6	000 026 247	Switch	6-7
6	000 026 247	Switch	8-9
6	000 026 247	Switch	28-29
3	000 026 247	Circuit Interrupt Sw. (Not Shown)	100-101
5	000 026 251BG	Bearing Respot Cell (Bag 10)	34-35
5	000 026 251BG	Bearing Respot Cell 30 (Bag 10)	74-75
6	000 026 401	Shaft	27
7	000 026 419	Housing Weldment	27
5	000 026 446	Rod End	86
6	000 026 446	Rod End	34-35
7	000 026 446	Rod End	90-91
15	000 026 450	Pin Curtain	66-67

ITEM#	PART#	DESCRIPTION	PAGE#
5	000 026 461BG	Brg Uniball .25 X .687 (Bag 2)	79
28	000 026 464	Bracket-Back End	59
5	000 026 836	Trsfmr 115-60	14-15
5	000 026 836	Trsfmr 115-60	16-17
3	000 026 865BG	Washer (Bag 10)	18-19
4	000 026 865BG	Washer (Bag 10)	72-73
2	000 026 865BG	Washer (Bag 10)	92-93
1	000 027 099	Apron & Mat Assembly Rh (Odd)	60
2	000 027 100	Apron & Mat Assembly Lh (Even) NOT SHOWN	60
2	000 027 264	Spacer	87
8	000 027 264	Spacer	90-91
48	000 027 264	Spacer	94-95
3	000 027 368	Plow & Mat Assembly Lh (Even) NOT SHOWN	60
4	000 027 372	Plow & Mat Assembly Rh (Odd)	60
6	000 027 390	Dist Drive Housing	79
7	000 027 444	Flourescent Lamp Starter	6-7
7	000 027 444	Flourescent Lamp Starter	8-9
20	000 027 641	Bearing Th .752 X 2.75 X .062	58
29	000 027 641	Bearing Th .752 X 2.75 X .062	59
21	000 027 642	Washer	58
30	000 027 642	Washer	59
18	000 027 642	Washer	84-85
31	000 027 645	Brkt Supt Assembly Lh (Odd, 7 Side)	59
32	000 027 646	Brkt Supt Assembly Rh (Even, 10 Side)	59
5	000 027 655	Receptacle-Male Combo 5 Prong	22-23
1	000 027 660	Plug-Female	10
49	000 027 710	Belt-V-36 Outside	94-95
6	000 027 870	Trsfmr 115/230 50/60	14-15
6	000 027 870	Trsfmr 115/230 50/60	16-17
4	000 027 873	Solenoid 50 Hz .156	38-39
50	000 027 996	Cushion-Rubber	94-95
19	000 027 998	Retainer	84-85
51	000 027 998	Retainer	94-95
16	000 028 036	Shim-Micro Switch	61
20	000 028 057	Retainer Cush Guide	84-85
52	000 028 057	Retainer Cush Guide	94-95
33	000 028 334BG	Pin Ejector Washer (Bag 10)	59
22	000 028 362BG	Bumper-Urethane (Bag 10)	58
53	000 028 362BG	Bumper-Urethane Bag(10)	94-95
5	000 028 391	Screw-Shoulder	38-39
2	000 028 409	Block-Term Amp	12-13
7	000 028 410	Block-Term Amp	14-15
7	000 028 410	Block-Term Amp	16-17
8	000 028 441	Guide Socket (Bag 10)	6-7
10	000 028 441Bg	Guide Socket	10
2	000 028 441BG	Guide Soc (Bag of 10)	11
8	000 028 441BG	Guide Socket (Bag 10)	8-9
3	000 028 441BG	Guide Socket Bag(10)	12-13
8	000 028 441BG	Guide Socket (Bag 10)	14-15
8	000 028 441BG	Guide Socket (Bag 10)	16-17
4	000 028 441BG	Guide Socket (Bag 10)	18-19
9	000 028 442	Guide, Pin (Bag 10)	14-15
11	000 028 442Bg	Guide Pin	10
3	000 028 442BG	Guide Pin	11
9	000 028 442BG	Guide, Pin (Bag 10)	6-7
9	000 028 442BG	Guide, Pin (Bag 10)	8-9
5	000 028 442BG	Guide Pin	12-13
9	000 028 442BG	Guide, Pin (Bag 10)	16-17
5	000 028 442BG	Guide Pin (Bag 10)	18-19
10	000 028 452	Varistor	14-15
11	000 028 494	Hook	14-15
10	000 028 494	Hook	16-17
17	000 028 529	Urethane-Plus Rivet	66-67

ITEM#	PART#	DESCRIPTION	PAGE#
54	000 028 540	Spring Loaded Drive Link Assembly	94-95
21	000 028 737	Shaft	84-85
55	000 028 737	Shaft	94-95
22	000 028 771	Sheave 4 1/4"	84-85
56	000 028 865	Belt-V Pitch Lt 34 5	94-95
12	000 029 010	Post Fuse Extractor	14-15
4	000 029 013BG	Locking Spring Clip (Bag of 2)	11
6	000 029 013BG	Locking Spring Clip (Bag Of 2)	12-13
7	000 029 014BG	Locking Spring Catch	12-13
13	000 029 014BG	Locking Spring Catch	14-15
11	000 029 014BG	Locking Spring Catch	16-17
34	000 029 015	Stud-Pivot	59
5	000 029 068	Rubber Mount	60
7	000 029 073BG	Washer (Bag 10)	79
5	000 029 093	Clamp Strain Reliever	11
14	000 029 117	Handle	14-15
12	000 029 117	Handle	16-17
15	000 029 301	Rectifier-Silc. 2069	14-15
35	000 029 317	Stop-Pin	59
57	000 029 600	Belt-V-33 1/2 Out	94-95
17	000 029 601	Spring	61
58	000 029 601	Spring	94-95
2	000 029 603	Shaft	89
59	000 029 603	Shaft	94-95
3	000 029 605	Shaft Pivot	87
3	000 029 605	Shaft Pivot	88
60	000 029 605	Shaft-Pivot	94-95
4	000 029 606	Shaft Pivot Short	87
4	000 029 606	Shaft Pivot Short	88
61	000 029 606	Shaft-Pivot-Short	94-95
62	000 029 607	Brkt-Ball Elev	94-95
63	000 029 608	Shaft-Sheave	94-95
64	000 029 609	Spring Torsion	94-95
65	000 029 610	Shaft-Roller Base	94-95
9	000 029 611BG	Unibal Bearing Washer (Bag 10)	90-91
66	000 029 611BG	Unibal Brg Washer (Bag 10)	94-95
67	000 029 612	Spring Torsion	94-95
23	000 029 613	Rail	84-85
7	000 029 614	Heim Unibal	34-35
68	000 029 614	Heim Unibal	94-95
18	000 029 624	Bracket Shock Mount	61
14	000 029 626	Support-Angle	68
14	000 029 626	Support-Angle	68
9	000 029 629	Track Weld Downsweep	82-83
69	000 029 638	Base-Roller	94-95
6	000 029 659	Hanger Arm Assy	87
5	000 029 659	Hanger Arm Assy	88
70	000 029 659	Hanger Arm Asm	94-95
24	000 029 660	Shaft	84-85
71	000 029 660	Shaft	94-95
25	000 029 661	Shock Absorber	84-85
72	000 029 661	Shock Absorber	94-95
23	000 029 672	Brkt Bearing Assembly Rh (Odd, 10 Side)	58
73	000 029 695	Shaft Weld-Crank	94-95
11	000 029 696	Tube Adjustment Assembly	90-91
74	000 029 696	Tube Adjustment Assembly	94-95
12	000 029 697	Tube-Adjustment	90-91
8	000 029 896	Clamp Strain Relvr	12-13
15	000 029 898	Bar Reinforcing 40.5	68
15	000 029 898	Bar Reinforcing 40.5	68
10	000 029 910	Shim-3/8 Slot X 1 1/8 Od	82-83
75	000 029 959	Pad-Filler Assembly	94-95
	030 002 748	Cam Gauge	55

# PARTS INDEX - CONTINUED

ITEM#	PART#	DESCRIPTION	PAGE#
5	030 003 938	Strap Pillow Block	50
	030 003 943	Crank, Motor	22-23
	030 003 943	Motor Crank	42-43
	030 003 943	Motor Crank	43
	030 004 031	Amp Extracting Tool	20
24	030 008 660	Panel Kickback	58
6	070 001 184	Strap	60
7	070 001 185	Brace	60
8	070 001 195	Pin Seating Rod	60
19	070 001 284	Receptacle Assembly	61
19	070 001 389	Spring-Curtain Latch	66-67
20	070 001 396	Pin-Curtain Latch	66-67
9	070 001 412	Plow & Mat Assembly Sm Rh (Odd)	60
21	070 001 421	Strap	66-67
22	070 001 422	Bolt-U	66-67
23	070 001 432	Pad	66-67
25	070 001 450	Pit Supt Brkt Bds	58
36	070 001 451	Pit Supt Brkt-Obds	59
24	070 001 557	Tie Rod	25
1	070 001 585	Pin-Spot Link	24
2	070 001 587	Pin-Spring Hanger	24
6	070 001 591	Pin-Hook Spot	50
3	070 001 605	Spot Link Assembly-Upper	24
3	070 001 606	Tie Rod Respot	25
4	070 001 607	Tie Rod Spot	25
6	070 001 664	Clamp Stud	22-23
7	070 001 668	Roller-Spring	50
11	070 001 698	Brkt-Pittlight	6-7
11	070 001 698	Brkt-Pittlight	8-9
7	070 001 699	Shaft, Sweep Drive	22-23
8	070 001 700	Shaft, Table Drive	22-23
9	070 001 707	Spring	22-23
4	070 001 751	Hanger-Spring	24
6	070 001 774	Link Assembly	38-39
7	070 001 777	Pin	38-39
4	070 001 804	Pivot Weld Respot	42-43
5	070 001 807	Spring Respot Finger	42-43
10	070 001 840	Table Drive Asy	22-23
4	070 001 840	Table Drive Assembly	30-31
5	070 001 844	Spring-Actuator	30-31
6	070 001 849	Washer-Special	30-31
9	070 001 852	Lever Table Arm	50
10	070 001 853	Spring	50
11	070 001 854	Screw-Adjusting	50
7	070 001 857BG	Roller Nylon (Bag 2)	30-31
6	070 001 857BG	Roller Nylon (Bag 2)	74-75
6	070 001 871	Screw-Hex Hd Cam Link	42-43
8	070 001 877	Eccentric Table Drive	30-31
9	070 001 893	Cam Ball Assembly	30-31
10	070 001 894	Pin-Pivot	30-31
11	070 001 898	Latch Assembly	30-31
12	070 001 907	Brkt-Sup-Pit Lite Rh	6-7
12	070 001 907	Brkt-Sup-Pit Lite Rh	8-9
13	070 001 908	Brkt-Sup-Pit Lite Lh	6-7
13	070 001 908	Brkt-Sup-Pit Lite Lh	8-9
11	070 001 910	Spot Respot Cam	22-23
12	070 001 917BG	Spring-Compression (Bag 5)	30-31
5	070 001 919BG	Flanged Bushing (Bag 10)	24
13	070 001 931	Spring	30-31
14	070 001 932	Pin	30-31
16	070 001 990	Knob-Chassis Cover	14-15
13	070 001 990	Knob-Chassis Cover	16-17
26	070 001 995	Yoke Assembly w/ Bearing Nut	84-85

ITEM#	PART#	DESCRIPTION	PAGE#
6	070 001 997	Latch Assembly - Spot Arm Assy	24
20	070 002 004	Arm Assembly Rh Belt Tight (Odd)	61
21	070 002 007	Pulley Assembly Belt	61
22	070 002 010	Pan-Drip	61
23	070 002 012	Pivot Shaft	61
37	070 002 027	Panel	59
16	070 002 034	Roller Assembly Rear	68
16	070 002 034	Roller Assembly Rear	68
11	070 002 034	Roller Assembly Rear	82-83
24	070 002 050	Tube Weld Rh (Odd)	66-67
25	070 002 060	Cushion Assembly Rh (Odd)	66-67
3	070 002 072	Shaft Idler	89
76	070 002 072	Shaft-Idler	94-95
24	070 002 074	Brkt-Motor Rh Rear (Odd)	61
25	070 002 084	Brkt-Motor Rh Front (Odd)	61
26	070 002 094	Pulley-Belt Tightner	61
17	070 002 097	Sheave Carpet Drive	68
17	070 002 097	Sheave Carpet Drive	68
12	070 002 097	Sheave Carpet Drive	82-83
77	070 002 097	Sheave-Carpet Drive	94-95
10	070 002 169	Plow & Mat Assembly Sm Lh (Even) NOT SHOWN	60
27	070 002 212	Brkt-Motor Lh Rear (Even)	61
28	070 002 214	Brkt-Motor Lh Front (Even)	61
29	070 002 216	Arm Assembly Lh Mach (Even)	61
26	070 002 252	Tube Weld Lh (Even)	66-67
27	070 002 260	Cushion Assembly Lh (Even)	66-67
1	070 002 570BG	Insert Yoke Arm (Bag 5)	46-47
2	070 002 570BG	Insert Yoke Arm (Bag 5)	48-49
3	070 002 573	Spacer Leg Yoke	44-45
7	070 002 577	Stud Spring Yoke Asy	42-43
5	070 002 578	Lever Assembly Spot	25
8	070 002 578	Lever Asy Spot	42-43
9	070 002 579	Lever Asy Finger	42-43
10	070 002 581	Tie Rod	42-43
6	070 002 582	Drive Link Assembly-Rear	18-19
11	070 002 583	Link Asy Actuating	42-43
12	070 002 584	Pin Bell Crank	42-43
13	070 002 585	Shaft Lever Tbl Asy	42-43
14	070 002 590	Finger Link	42-43
15	070 002 594	Tie Rod Asy	42-43
16	070 002 596	Spring (Not Shown)	42-43
4	070 002 602	Lever Inner Yoke	44-45
5	070 002 603	Lever Outer Yoke	44-45
6	070 002 609	Pin Lever Rear Yoke	44-45
7	070 002 612	Tie Link Asm	44-45
8	070 002 612	Tie Link Asm	44-45
9	070 002 615	Shaft-1 Yoke Assembly	44-45
10	070 002 616	Shaft-2 Yoke Assembly	44-45
11	070 002 617	Shaft-3 Yoke Assembly	44-45
12	070 002 618	Shaft-4 Yoke Assembly	44-45
7	070 002 619	Pin Actuator Shaft	18-19
13	070 002 620	Spacer Yoke Assembly	44-45
14	070 002 623	Yoke & Bearing Assy	44-45
2	070 002 629	Yoke Respot Asm	46-47
3	070 002 629	Yoke Respot Asm	48-49
3	070 002 630BG	Bearing Fl .252 X .315 X .218 (Bag 20)	46-47
4	070 002 630BG	Bearing Fl .252 X .315 X .218 (Bag 20)	48-49
4	070 002 632BG	Scr-Adj-Respot Cell (Bag 10)	46-47
5	070 002 632BG	Scr-Adj-Respot Cell (Bag 10)	48-49
6	070 002 642	Yoke Respot Assembly 7	48-49
5	070 002 644	Plate Yoke Assembly	46-47
7	070 002 644	Plate Yoke Assembly	48-49
6	070 002 645	Shaft-Lever Assy-Respot	46-47

ITEM#	PART#	DESCRIPTION	PAGE#
8	070 002 645	Shaft-Lever Ay-Respt	48-49
7	070 002 646	Arm Respot Yoke Assembly	46-47
9	070 002 646	Arm Res Yoke Assembly	48-49
8	070 002 647	Yoke Respot Assembly	46-47
9	070 002 647	Yoke Respot Assy	46-47
10	070 002 649BG	Spring (Bag 10)	46-47
10	070 002 649BG	Spring (Bag 10)	48-49
8	070 002 652BG	Bearing Sl .252 X .315 X .5 Lg (Bag 20)	18-19
7	070 002 652BG	Bearing Sl .252 X .315 X .5 Lg (Bag 10)	28-29
15	070 002 652BG	Brg Sl.252X315x.5Lg (Bag 20)	30-31
17	070 002 652BG	Bearing Sl .252 X .315 X .5Lg (Bag 20)	42-43
11	070 002 652BG	Sleeve Bushing (Bag 10)	46-47
11	070 002 652BG	Bearing Sl .252 X .315 X .5 Lg (Bag 10)	48-49
9	070 002 653BG	Bearing Fl .252 X .315 X .38 (Bag 20)	18-19
8	070 002 653BG	Bearing Fl .252 X .315 X .38 (Bag 10)	28-29
8	070 002 653BG	Brg Fl.252X.315X.38 (Bag 20)	38-39
18	070 002 653BG	Bearing Fl .252 X .315 X .38 (Bag 20)	42-43
12	070 002 653BG	Bearing Fl .252 X .315 X .38 (Bag 20)	46-47
12	070 002 653BG	Bearing Fl .252 X .315 X .38 (Bag 20)	48-49
13	070 002 654BG	Pivot Shaft 1/4 (Bag 10)	46-47
13	070 002 654BG	Pivot Shaft 1/4 (Bag 10)	48-49
15	070 002 663	Leg Assembly-Front Rh	44-45
16	070 002 664	Leg Assembly-Front Lh	44-45
17	070 002 665	Leg Assembly-Rear With Bushings	44-45
18	070 002 667	Leg-Front-Table	44-45
10	070 002 671	Link Respot Connector	18-19
11	070 002 678	Lever Respot Assy	18-19
19	070 002 680	Lever Respot Asy	42-43
20	070 002 681BG	Pin Rspst Lever Pivot (Bag 10)	42-43
19	070 002 683	Yoke	44-45
14	070 002 685BG	Shaft-Pivot 7 Cell 5/16 (Bag 10)	48-49
15	070 002 686	Frame Asm 7 Cell	48-49
20	070 002 688	Spring Rh (10 Side)	44-45
21	070 002 689	Spring Lh (7 Side)	44-45
7	070 002 691BG	Flanged Bushing (Bag 10)	24
12	070 002 698	Bearing Sr .625 X 1 .562 X 7/8	50
22	070 002 698	Bearing Sr .625 X 1.562 X 7/8	44-45
23	070 002 701	Pin Yoke Legs	44-45
21	070 002 702	Stop Respot	42-43
22	070 002 715	Bearing Sl .502 X .689 X 1.5	42-43
24	070 002 719	Sleeve-Spring-Yoke	44-45
25	070 002 723BG	Pin Actuator Shaft (Bag 10)	44-45
23	070 002 726	Shaft Tbl Asy	42-43
6	070 002 727	Link & Bearing Assembly	25
24	070 002 727	Link & Bearing Asy	42-43
7	070 002 728	Cam Link Bearing Assembly	25
25	070 002 728	Cam Link Bearing Asy	42-43
26	070 002 732BG	Spring (Bag 2)	42-43
27	070 002 733	Screw Cam Link Table	42-43
28	070 002 734	Brkt Spring Cam Link	42-43
29	070 002 745BG	Bearing Fl .626 X .814 X 1/2	42-43
14	070 002 750BG	Screw-Fl Hd-Respot & Yoke (Bag 10)	46-47
16	070 002 750BG	Screw-Flhd-Respot&Yoke (Bag 10)	48-49
15	070 002 752BG	Bumper Extrusion (Bag 2)	46-47
17	070 002 752BG	Bumper Extrusion (Bag 2)	48-49
9	070 002 758	Lever & Bushing Assembly	28-29
12	070 002 766	Link-Table Assembly	18-19
13	070 002 768	Link-Table Assembly	18-19
15	070 002 770	Link-Table Assembly	18-19
16	070 002 771	Plate-Table	18-19
17	070 002 772BG	Pin-Table (Bag 10)	18-19
18	070 002 773BG	Grommet-Table Asy (Bag 10)	18-19
19	070 002 774BG	Pin (Bag 2)	18-19

ITEM#	PART#	DESCRIPTION	PAGE#
16	070 002 776	Bearing Cone RI-Tbl Drv	30-31
17	070 002 777	Cup-Roller Bearing Lg	30-31
18	070 002 778	Housing/Cup Assembly	30-31
19	070 002 779	Eccentric & Cone Asm	30-31
20	070 002 780	Cup-Roller Bearing Sm	30-31
30	070 002 781	Bearing Needle	42-43
26	070 002 787BG	Blt-U-Spotting Cup (Bag 2)	44-45
27	070 002 788	Cap-Spotting Cup	44-45
16	070 002 792	Frame Respot Weld	46-47
29	070 002 808	Spotting Cup Assembly	44-45
30	070 002 809	Spotting Cup	44-45
20	070 002 813	Respot Link	18-19
21	070 002 814	Link Assembly	18-19
23	070 002 815BG	Bearing .252 X .318 X .307 Lg (Bag 10)	18-19
31	070 002 816	Cam Follower	42-43
21	070 002 824	Cone & Seal Assy	30-31
8	070 003 103	Pin-Bearing Sweep Link	52
9	070 003 106	Shaft Main Pivot	52
10	070 003 117	Spacer Drive Link	52
11	070 003 158	Link-Drive Assembly-Sweep	52
12	070 003 159	Tube-Motor Rod	52
13	070 003 162	Connect Rod Assembly Mtr	52
14	070 003 173	Bearing Sl .438 X .624 X 2 "Lg"	52
15	070 003 184	Support Link Assembly Swp	52
16	070 003 189	Pin Bearing Sweep Link	52
17	070 003 190	Brkt-Shock Rh-Sweep (10 Side)	52
18	070 003 191	Brkt-Shock Lh-Sweep (7 Side)	52
19	070 003 195	Shock Mount	52
20	070 003 221	Screw-Sweep Link Assembly	52
21	070 003 222	Brkt-Shock Mounting	52
22	070 003 223	Link-Threaded-Sweep	52
23	070 003 231	Pin Bearing	52
24	070 003 232	Spacer Main Pivot Long	52
25	070 003 233	Spacer Sweep Link Lh	52
26	070 003 234BG	Bearing Fl .437 X .75 X .62 Lg (Bag 10)	52
27	070 003 235	Screw Sweep Lk 7/16-14	52
28	070 003 242	Sweep Link Cast	52
12	070 003 243	Screw-Crank Arm	22-23
29	070 003 245	Screw Rock Arm Sweep Lk	52
	070 003 902	Super Star MP Chassis	17
30	070 004 267	Shaft-Stub	61
26	070 004 602	Ball Lift Bracket	58
13	070 004 642	Brkt Stop Ball Lift	82-83
14	070 004 654	Brkt Track Support	82-83
15	070 004 669	Cloth Ball Wiper	82-83
16	070 004 670	Dust Trap	82-83
4	070 004 690	Be Guard	100-101
5	070 004 691	Bracket Rear	100-101
6	070 004 713	Cover Guard Assembly	100-101
28	070 004 738	Guard	66-67
7	070 004 738	Toe Guard	100-101
14	070 005 094	Cable Assembly Be Mtr	6-7
14	070 005 094	Cable Assembly Be Mtr	8-9
17	070 005 149	Relay-Thermal	14-15
5	070 005 361	Cover-Control Box	62
8	070 005 361	Control-Cover Box	100-101
18	070 005 514	Shield-Angle	14-15
14	070 005 514	Shield-Angle	16-17
19	070 005 515	Relay-Chassis 24Vac	14-15
15	070 005 515	Relay-Chassis 24Vac	16-17
6	070 005 529	Switch-Sweep Run	62
7	070 005 530	Switch-Sweep Reverse	62
15	070 005 534	Cbl Assembly-Off Spot	6-7

# PARTS INDEX - CONTINUED

ITEM#	PART#	DESCRIPTION	PAGE#
15	070 005 534	Cbl Assembly-Off Spot	8-9
16	070 005 542	Cable Assembly Sweep Mtr	6-7
16	070 005 542	Cable Assembly Sweep Mtr	8-9
17	070 005 570	Plug Duct Weldmt	6-7
17	070 005 570	Plug Duct Weldmt	8-9
24	070 005 602	Cbl-Table	18-19
18	070 005 604	Cable-Table	6-7
18	070 005 604	Cable-Table	8-9
29	070 005 610	Link	66-67
11	070 005 614	Decal-Warning	60
19	070 005 614	Decal-Warning	6-7
19	070 005 614	Decal-Warning	8-9
9	070 005 614	Warning Decal	100-101
20	070 005 652	Cpctr-100Mfd 250Wvdc	14-15
21	070 005 666	Circuit Breaker	14-15
16	070 005 666	Circuit Breaker	16-17
23	070 005 842	Diode-Power	14-15
25	070 005 859	Diode-Power	14-15
26	070 005 874	Cpctr-1500Mfd 50W.V.	14-15
27	070 005 883	Relay	14-15
28	070 005 898	Trsfmr 115/230 50	14-15
30	070 005 998	Triac	14-15
7	070 006 004	Tube Distributor	74-75
8	070 006 009	Support Belt Runner Assembly	74-75
9	070 006 011	Pulley Assembly Dist.	74-75
10	070 006 013	Guide Pin Dist.	74-75
11	070 006 014	Shaft Distributor	74-75
12	070 006 015	Trip Arm Assembly RH (10 Side)	74-75
13	070 006 016	Trip Arm Assembly LH (7 Side)	74-75
14	070 006 019	Collar Spring Dist.	74-75
15	070 006 021	Tube Assembly Front-Dist.	74-75
16	070 006 022	Tube Assembly Middle Dist	74-75
17	070 006 029	Link Connecting Dist	74-75
5	070 006 034	Spring Linear Dist.	72-73
18	070 006 035	Spring Dist Carriage	74-75
19	070 006 036BG	Lacing Dist. Belt	74-75
20	070 006 037BG	Pin Dist. Belt	74-75
21	070 006 042	Runner Belt Rear	74-75
6	070 006 048	Bolt Special	72-73
7	070 006 049	Shaft Arm Dist.	72-73
8	070 006 051	Arm Distributor	72-73
9	070 006 052	Drive Arm	72-73
22	070 006 055	Carriage Front Dist.	74-75
10	070 006 061	Shaft Cam Supt Dist.	72-73
11	070 006 064	Spacer Bearing Dist.	72-73
12	070 006 065	Clamp Race Dist.	72-73
13	070 006 066	Rod End Female Dist.	72-73
14	070 006 067	Rod Safety Link Dist	72-73
15	070 006 068	Support Spring Dist.	72-73
16	070 006 069	Nut Special Dist	72-73
17	070 006 071	Cam Follower Dist.	72-73
18	070 006 073	Washer Thrust	72-73
19	070 006 074	Bearing Needle Thrust	72-73
20	070 006 075	Bearing Nd Clsd End 1 "Lg"	72-73
21	070 006 076	Bearing Needle Open End	72-73
22	070 006 077	Shaft Drive Dist.	72-73
23	070 006 082	Pin Spring Post Dist	72-73
24	070 006 084	Brkt Trip Stop	72-73
25	070 006 087	Sleeve Pivot Trip	72-73
8	070 006 101	Drive Shaft-Rh (Odd)	79
9	070 006 102	Drive Shaft Assembly-Rh 82/70 (Odd)	79
23	070 006 103	Support Guide Lh (7 Side)	74-75
24	070 006 104	Support Guide Rh	74-75

ITEM#	PART#	DESCRIPTION	PAGE#
25	070 006 105	Tube Assembly Dist. Carriage	74-75
26	070 006 106	Brkt Tracking Dist	74-75
27	070 006 107	Tube Belt Tightener Dist	74-75
8	070 006 108	Spacer-Roller Assy-Dist	34-35
28	070 006 108	Spacer Roller Assy Dist	74-75
29	070 006 109	Link Roller Assembly Dist	74-75
26	070 006 111	Sleeve Spring Post	72-73
30	070 006 111	Sleeve Spring Post	74-75
9	070 006 116	Stud-Clamp	38-39
31	070 006 116	Stud Clamp	74-75
32	070 006 117	Bearing Grooved Concentric	74-75
33	070 006 118	Bearing Grooved Eccentric	74-75
34	070 006 120	Carriage Supprot Tube	74-75
27	070 006 121BG	Washr Dist. Clutch (Bag 10)	72-73
28	070 006 125	Worm Adjusting	72-73
29	070 006 126	Friction Disk	72-73
30	070 006 128	Spring Assembly	72-73
31	070 006 130	Clutch Plate	72-73
32	070 006 136	Casting & Bearing Assy	72-73
35	070 006 137	Guard Belt Dist.	74-75
36	070 006 139	Spacer Inner Dist.	74-75
37	070 006 140	Spacer Outer Dist.	74-75
9	070 006 142BG	Bumper (Bag 10)	34-35
10	070 006 142BG	Bumper (Bag 10)	38-39
33	070 006 142BG	Bumper (Bag 10)	72-73
38	070 006 142BG	Bumper	74-75
3	070 006 142BG	Bumper (Bag 10)	92-93
34	070 006 143	Spacer	72-73
35	070 006 149	Cam Index Dist.	72-73
40	070 006 201	Belt Guide	74-75
31	070 006 211	Motor Westinghouse Lh 50Hz	61
13	070 006 219	Mtr-115/230-50 Comb	22-23
1	070 006 256	Tube-Outside-Bin	36-37
2	070 006 259	Brkt-Arm-Shuttle Assembly	36-37
3	070 006 260	Bumper-Counter-Bin	36-37
4	070 006 268	Strap Shuttle	36-37
21	070 006 272	Switch Cable Assm	6-7
21	070 006 272	Switch Cable Assm	8-9
10	070 006 272	Switch Cable Assy	34-35
11	070 006 276	Spring	38-39
12	070 006 277	Washer	38-39
13	070 006 278	Lever-Cam	38-39
14	070 006 279	Guard-Solenoid	38-39
10	070 006 279	Guard-Solenoid	100-101
15	070 006 280	Clip-Spring-Shuttle Dr	38-39
16	070 006 281	Link-Spng .156 Hole	38-39
17	070 006 282	Link	38-39
18	070 006 283	Spring	38-39
19	070 006 284	Stud-Clamp-Shuttle Dr	38-39
20	070 006 285	Shaft-Shuttle-Drive	38-39
21	070 006 286	Shaft	38-39
22	070 006 287	Pin Long	38-39
23	070 006 289	Shaft-Shuttle Drive	38-39
24	070 006 295	Lever-Shuttle	38-39
25	070 006 296BG	Wshr-Spring-Shuttle (Bag 10)	38-39
26	070 006 297	Tube-Long	38-39
27	070 006 299	Tube-Short	38-39
28	070 006 302	Plug-Shuttle Rod	38-39
29	070 006 304	Rod-Shuttle	38-39
30	070 006 306	Spring-Shuttle Rod	38-39
31	070 006 307	Link Assembly-Shuttle Dr	38-39
14	070 006 310	Spacer	22-23
27	070 006 320	Shaft Assy Adj 9 1/2" To 11" Spacing	84-85

ITEM#	PART#	DESCRIPTION	PAGE#
79	070 006 320	Shaft Assy Adj 9 1/2" To 11" Spacing	94-95
28	070 006 325	Shaft Assy Fixed 9 1/2" To 11" Spacing	84-85
80	070 006 325	Shaft Assy Fixed 9 1/2" To 11" Spacing	94-95
29	070 006 328	Shaft Assy Fixed 11" To 12 5/8" Spacing	84-85
81	070 006 328	Shaft Assy Fixed 11" To 12 5/8" Spacing	94-95
30	070 006 329	Shaft Assy Adj 11" To 12 5/8" Spacing	84-85
82	070 006 329	Shaft Assy Adj 11" To 12 5/8" Spacing	94-95
11	070 006 351	Rod-Bin Assembly	34-35
12	070 006 353	Guide-Pin-Bin Assembly	34-35
13	070 006 354BG	Shock Mount-Bin Assembly (Bag 10)	34-35
14	070 006 356	Switch Actuator-Bin	34-35
15	070 006 358	Brkt Assembly-Bin Assembly	34-35
16	070 006 359	Brkt-Bin Assembly	34-35
17	070 006 360	Channel Long Weldment	34-35
18	070 006 363	Channel-Short	34-35
19	070 006 364	Spacer-Butt Guide-Bin	34-35
20	070 006 365	Spacer-Head Guide Bin	34-35
21	070 006 366	Spacer-Guide Pin Head	34-35
22	070 006 369	Guide-Pin Rh-Bin Assembly (10 Side)	34-35
23	070 006 370	Guide-Pin-Lh-Bin Assembly (7 Side)	34-35
24	070 006 371	Brkt-Supt-Bin Assembly	34-35
25	070 006 372	Stringer Ctr Rh	34-35
26	070 006 373	Stringer #1 Pin Lh	34-35
27	070 006 376	Stringer-Outside Rh (10 Side)	34-35
28	070 006 377	Stringer 4 Pin L.H. (7 Side)	34-35
29	070 006 380	Guide-Pin 4-Bin Assembly	34-35
30	070 006 381	Guide-Pin 6-Bin Assembly	34-35
31	070 006 384	Brkt-Pin 5	34-35
32	070 006 386	Track Assy L H (7 Side)	34-35
33	070 006 388	Track Assy R H (10 Side)	34-35
34	070 006 389	Guide-Pin 1	34-35
35	070 006 390	Spacer	34-35
5	070 006 390	Spacer	36-37
36	070 006 402	Shaft-Bin Assembly	34-35
37	070 006 403	Stud-Clamp-Bin Assembly	34-35
15	070 006 407	Cap-Cam Hub	22-23
38	070 006 408	Lever-Bin Assembly	34-35
16	070 006 417	Table Cam Weld	22-23
8	070 006 420	Cam Switch Assy	27
17	070 006 420	Cam Switch Assy	22-23
18	070 006 427	Cam, Shuttle	22-23
39	070 006 429	Arm Cstg Assembly Lh & Rh	34-35
6	070 006 447	Spring-Shuttle Assembly	36-37
19	070 006 449	Cam Weld-SB & SC	22-23
20	070 006 450	Cam Weld-SA	22-23
8	070 006 457	Shaft	24
22	070 006 473	Cable Assembly C1	6-7
22	070 006 473	Cable Assembly C1	8-9
9	070 006 478	Bracket	24
10	070 006 481	Link Arm-Spot Assy	24
32	070 006 484	Stop Lever Assy	38-39
11	070 006 492	Link Arm-Respot Assy	24
12	070 006 493	Ball-Joint Assembly	24
21	070 006 493	Ball-Joint Assy	22-23
13	070 006 496	Screw-Hx 3/8-16 X 7	24
	070 006 519	Rs/Cup/Spot Height Gauge	42-43
	070 006 519	Rs/Cup/Spot Height Gauge	43
	070 006 587	Table Flag Locating Tool	42-43
	070 006 587	Table Flag Locating Tool	43
27	070 006 639	Washer C	58
42	070 006 659	Shaft Carriage Assembly	74-75
43	070 006 661	Trip Rocker Arm Weld	74-75
36	070 006 666	Pulley Dist. Belt Dr	72-73

ITEM#	PART#	DESCRIPTION	PAGE#
37	070 006 667	Trip Casting With Bearing	72-73
25	070 006 669	Link Respot	18-19
44	070 006 672	Carriage Casting	74-75
18	070 006 673	Lever Asm #7 Cell Respot Yoke	48-49
17	070 006 674	Cell Assembly #7 (New Style)	46-47
19	070 006 674	Cell Assembly #7 (New Style)	48-49
38	070 006 676	Sleeve Dist Drive	72-73
39	070 006 679	Bearing Sl .752 X .877 X 1.66	72-73
45	070 006 683	Tube Assembly Rear Casting	74-75
40	070 006 685	Pivot Trip Assembly	72-73
41	070 006 686	Pinion Gear Assembly	72-73
46	070 006 688	Support Carriage Assembly	74-75
42	070 006 691	Stop Blades Trip Arm	72-73
43	070 006 692	Clutch Plate Assembly	72-73
11	070 006 693	Shaft-Switch Assembly	28-29
12	070 006 694	Spacer-Switch Assembly	28-29
13	070 006 695	Brkt-Switch Assembly	28-29
14	070 006 697	SwitchAsy - Table	28-29
15	070 006 697	Switch Asy - Table	28-29
16	070 006 697	Switch Asy - Table	28-29
32	070 006 697	Switch Assy Table	42-43
33	070 006 724	Link-Spng .250 Hole	38-39
34	070 006 726	Solenoid 60 Hz .250	38-39
13	070 006 728	Cam Follower	90-91
22	070 006 729	Disc Spring	30-31
31	070 006 748	Spacer	84-85
83	070 006 748	Spacer	94-95
47	070 006 757	82/70 Dist Belt Black Rough Top	74-75
22	070 006 765	Shaft Plate	22-23
44	070 007 119	Drive Arm Assembly	72-73
18	070 007 192BG	Washer-Respot Cell Assembly (Bag 10)	46-47
20	070 007 192BG	Washer-Respot Cell Assembly (Bag 10)	48-49
32	070 007 192Bg	Washer Respot Cell Assy (Bag 10)	84-85
19	070 007 193BG	Spacer-Respot Cell (Bag 5)	46-47
21	070 007 193BG	Spacer - Rubber/Nylon (Bag 10)	48-49
20	070 007 194BG	Stud-Long-Respot Cell (Bag 5)	46-47
22	070 007 194BG	Stud-Long-Respot Cell (Bag 5)	48-49
21	070 007 195BG	Stud-Short-Respot Cell (Bag 5)	46-47
23	070 007 195BG	Stud-Short-Respot Cell (Bag 5)	48-49
22	070 007 196BG	Bearing Fl .252 X .485 X .560 (Bag 10)	46-47
24	070 007 196BG	Bearing Fl .252 X .485 X .560 (Bag 5)	48-49
23	070 007 197BG	Insert-Respot-Plastic/Round Hole (Bag10)	46-47
25	070 007 197BG	Insert-Respot-Plastic/RoundHole(Bag10)	48-49
26	070 007 199	Respot Cell Assembly #7(Old Style)	48-49
23	070 007 250	Link Hub Assembly	30-31
30	070 007 276	Rod Link Assembly	52
31	070 007 278	Tube Weld Link Assy	52
32	070 007 280	Sweep Link Assembly Teles	52
33	070 007 281	Rod End Link Assembly	52
34	070 007 282	Rod End Link Assembly	52
35	070 007 283	Bumper Link Assembly	52
33	070 007 291	Bearing Cl .9995 X 1.312 X 1	84-85
25	070 007 295	Table Support Assy Rh	25
13	070 007 295	Table Support Assy RH (10 Side)	50
26	070 007 296	Table Support Assy Lh	25
14	070 007 296	Table Support Assy LH (7 Side)	50
15	070 007 302	Spacer-Front End	50
27	070 007 303	Spacer-Front End	25
16	070 007 303	Spacer-Front End	50
23	070 007 310	Bushing	22-23
24	070 007 310	Bearing Fl .502 X .871 X 1.20	30-31
24	070 007 311	Sleeve	22-23
25	070 007 311	Sleeve-Table Dr Assembly	30-31

# PARTS INDEX - CONTINUED

ITEM#	PART#	DESCRIPTION	PAGE#
12	070 007 359	Brkt-Support	60
30	070 007 360	Brkt Support Weld	66-67
25	070 007 370	Angle Pit Light Mnt	6-7
25	070 007 370	Angle Pit Light Mnt	8-9
45	070 007 376BG	Wshr-Thrust (Bag 5)	72-73
10	070 007 586	U Joint- Steel	79
8	070 007 591	Strap	62
33	070 007 616BG	Pin-Pivot 5/16 Dia (Bag 10)	42-43
24	070 007 617BG	Stud-Pivot 5/16 (Bag 10)	46-47
25	070 007 618	Lever Respot Assembly 9 Cell	46-47
26	070 007 620	Lever Assembly #7 Cell Only	46-47
27	070 007 620	Lever Assy #7 Cell	48-49
34	070 007 622	Lever Respot Asy	42-43
27	070 007 623	Lever Respot Assembly	18-19
27	070 007 651BG	Nylon Washer - Top (Bag 10)	46-47
28	070 007 651BG	Nylon Washer - Top (Bag 10)	48-49
46	070 007 651BG	Washer Nylon Dist (Bag 10)	72-73
28	070 007 722	Jackscrew 1/2-20 X 3	58
26	070 007 745	Cover-Cbl Duct Ext	6-7
26	070 007 745	Cover-Cbl Duct Ext	8-9
27	070 007 747	Cover	6-7
27	070 007 747	Cover	8-9
28	070 007 748	Frme Wld-CblDct-Long	6-7
28	070 007 748	Frme Wld-CblDct-Lon	8-9
29	070 007 751	Cable-Tbl Mtr 3 Cono	6-7
29	070 007 751	Cable-Tbl Mtr 3 Cono	8-9
17	070 007 752	Spacer	50
26	070 007 755	Yoke Weldment	30-31
8	070 007 761	Spot Respot Spring Hanger Repair Kit	25
25	070 007 761	Brkt Spot Respot Spring Hanger Kit	22-23
18	070 007 846	Kit Filler Plate	68
18	070 007 846	Kit Filler Plate	68
19	070 007 847	Fastner Rubber	68
19	070 007 847	Fastner Rubber	68
35	070 008 133BG	Spacer-Link Assy (Bag 2)	38-39
36	070 008 135	Link Assembly	38-39
29	070 008 154	Pin-Pivot #7 Cell	48-49
18	070 008 182	Block-Bearing	50
6	070 008 191	Brkt Ball Lift	86
34	070 008 204	Sheave 3 1/2"	84-85
35	070 008 205	Sheave Assembly Ball Lift	84-85
36	070 008 210	Sheave	84-85
37	070 008 211	Sheave	84-85
38	070 008 212	Spacer	84-85
39	070 008 215	Belt Tightener Weld	84-85
40	070 008 217	Spacer	84-85
41	070 008 218	Spacer	84-85
27	070 008 321	Arm-Latch	30-31
28	070 008 322	Link-Actuator Assembly	30-31
29	070 008 325	Pin-Actuator Assembly	30-31
17	070 009 811	Receptacle Assy (Mask)	16-17
18	070 009 815	Varistor Assembly T1	16-17
9	070 009 821	Circuit Breaker-Spec (6 Terminals)	62
10	070 009 823	Plate Adapter & Screw	62
	070 009 872	XOP Relay	15
11	070 010 238	Bracket Front Guard Assy	100-101
42	070 011 002	Support	84-85
43	070 011 004	Tube & Support Assembly	84-85
29	070 011 005	Door Weld Lh (Even - NOT SHOWN)	58
	070 011 005	Steel Door Ring Lh (Even)	82-83
30	070 011 006	Door Weld Rh (Odd)	58
	070 011 006	Steel Door Ring Rh (Odd)	82-83
4	070 011 009	Housing Weldment	92-93

ITEM#	PART#	DESCRIPTION	PAGE#
5	070 011 013	Crank Weldment	92-93
7	070 011 018	Ball Guide	86
6	070 011 027	Shaft	92-93
7	070 011 028BG	Washer (Bag 10)	92-93
8	070 011 029	Nut	92-93
9	070 011 030BG	Roller (Bag 10)	92-93
10	070 011 031BG	Spacer (Bag 10)	92-93
11	070 011 032	Spring	92-93
12	070 011 033	Pulley-Ratchet	92-93
17	070 011 034	Extension Rod	82-83
18	070 011 035	Strap	82-83
13	070 011 036	Bearing & Housing Assembly	92-93
14	070 011 037	Crank Assembly	92-93
15	070 011 039	Ratchet Assembly	92-93
44	070 011 040Bg	Roller Ratchet (Bag 10)	84-85
14	070 011 040BG	Roller-Ratchet Arm (Bag 10)	90-91
16	070 011 040BG	Roller-Ratchet Arm (Bag 10)	92-93
45	070 011 041	Belt Tightener Bracket Assy	84-85
46	070 011 042	Belt Tightner Assy	84-85
19	070 011 052	Ball Lift Assembly	82-83
47	070 011 052	Ball Lift Assembly	84-85
8	070 011 063	Shaft	86
20	070 011 064	V-Belt Gates #1450	82-83
17	070 011 064	V-Belt Gates #1450	92-93
15	070 011 066	Rudder Arm Supt Assy	90-91
16	070 011 067	Rudder Arm Supt	90-91
84	070 011 067	Rudder Arm Supt	94-95
17	070 011 068	Link Weld	90-91
18	070 011 077	Trip Finger	90-91
19	070 011 079	Rudder Drive Weld	90-91
20	070 011 080	Rudder Drive Assembly	90-91
21	070 011 092	Crank Shaft Weld	90-91
22	070 011 096	Roller	90-91
23	070 011 097	Crank Pulley	90-91
24	070 011 098	Sleeve	90-91
25	070 011 100	Cam Sensor Weld	90-91
26	070 011 105	Roller Assembly	90-91
6	070 011 106	Spring Extension	88
21	070 011 106	Spring Extension	82-83
27	070 011 107	Trip Arm	90-91
28	070 011 108	Washer	90-91
7	070 011 109	Spring Clip	88
29	070 011 110	Cam Sensor Assembly	90-91
22	070 011 120	Light Ball Sensor Assembly	82-83
30	070 011 120	Light Ball Sensor Asy	90-91
31	070 011 121	Plug	90-91
32	070 011 122	Rudder Arm	90-91
33	070 011 123	Rod Assembly	90-91
34	070 011 124	Rod	90-91
7	070 011 131	Pulley Weld	87
8	070 011 131	Pulley Weld	88
9	070 011 132	Belt Tensioner Assembly	88
23	070 011 132	Belt Tensioner Assembly	82-83
85	070 011 132	Belt Tensioner Asy	94-95
10	070 011 133	Shaft	88
35	070 011 146	Paddle	90-91
24	070 011 147	V-Belt Gates #1380	82-83
36	070 011 147	V-Belt Gates #1380	90-91
8	070 011 148	V Belt	87
11	070 011 148	V Belt	88
25	070 011 148	V-BELT #1400	82-83
37	070 011 151	Spacer	90-91
48	070 011 170	Trip Cable Assy	74-75



ITEM#	PART#	DESCRIPTION	PAGE#
49	070 011 171	Cable Assy	74-75
50	070 011 172	Ball Joint 7/16	74-75
51	070 011 173	Ball Joint 9/16	74-75
26	070 011 178	Crank Assembly	82-83
38	070 011 178	Crank Assembly	90-91
12	070 011 211	Danger Decal	100-101
18	070 011 217	Weld-Ratchet Arm Ball Lift	92-93
9	070 011 218	Arm Lever Weldment	86
39	070 011 225	Weld-Crank Adj Plate	90-91
32	070 011 250	Bracket-Switch	61
41	070 011 273	Tab	90-91
48	070 011 280	Liftbelt For Wide Deep Groove	84-85
31	070 011 286	Bushing-Curtain Rod	58
31	070 011 288	Rod Curtain	66-67
49	070 011 289	Bracket Shock Absorber	84-85
86	070 011 289	Bracket Shock Absorber	94-95
42	070 011 299	Brace-Sensor	90-91
27	070 011 310	Supt Be Mtr Guard	82-83
43	070 011 319	Support-Rudder Arm	90-91
87	070 011 319	Support Rudder Arm	94-95
50	070 011 323	Shock Absorber Assembly	84-85
88	070 011 323	Shock Absorber Assy	94-95
10	070 011 375	Lever Arm Assembly-Std	86
13	070 011 392	Rh Belt Guard (Odd)	100-101
14	070 011 393	Lh Belt Guard (Even)	100-101
28	070 011 401	Guard Weld	82-83
15	070 011 401	Ball Lift Guard Weld	100-101
44	070 011 406	Rudder Cam Assembly Rh (Even)	90-91
45	070 011 407	Rudder Cam Assembly Lh (Odd)	90-91
89	070 011 408	Paddle-Kicker Roller	94-95
11	070 011 411	Weld Lift Arm Track Assembly	86
12	070 011 413	Lift Assembly-Trk Assembly Pbl	86
29	070 011 414	Track Rail Assembly Pbl	82-83
46	070 011 418	Trip-Cam	90-91
13	070 011 440	Track Cover Lower	86
4	070 011 523	Belt Tightener Assy R	89
90	070 011 523	Belt Tightener RH	94-95
5	070 011 524	Belt Tightener Assy L	89
91	070 011 524	Belt Tightener LH	94-95
6	070 011 525	Idler Sheave Assembly	89
7	070 011 526	Idler Sheave Belt Tightener	89
47	070 011 626	Trip Arm Assembly	90-91
32	070 011 641	Lh Urethane Ball Door Rng (Even)	58
	070 011 641	Urethane Door Ring Lh (Even)	82-83
33	070 011 642	Rh Urethane Ball Door Ring (Odd)	58
	070 011 642	Urethane Door Ring Rh (Odd)	82-83
33	070 011 753	Relay Mtg. Bracket	14-15
19	070 011 753	Relay Mtg. Bracket	16-17
34	070 011 755	Relay 50/60Hz	14-15
20	070 011 755	Relay 50-60Hz	16-17
51	070 011 795	Shaft Upper D	84-85
52	070 011 796	Shaft Lower D	84-85
53	070 011 797	Bearing Ball D Bore	84-85
30	070 011 800	Hrness Lh-C1 & C2a	6-7
8	070 011 810	Belt Tightner Pbl	89
30	070 011 810	Belt Tightner Pbl	82-83
31	070 011 814	Spotting Cup Lexan	44-45
54	070 011 832	Pressure Plate For Ball Lift	84-85
32	070 011 840	Velcro Cushion Cover	66-67
33	070 011 841	Velcro Loop Cushion Rh (Odd)	66-67
34	070 011 842	Velcro Loop Cushion Lh (Even)	66-67
52	070 011 905	Grey Gripper (3 Belt Roll)	74-75
53	070 011 909	Poly V Dist Belt	74-75

ITEM#	PART#	DESCRIPTION	PAGE#
48	070011099P	Cam Painted	90-91
36	088 000 093	Sweep Link Stabilizer	52
4	088 001 089	Decal 82-90Xli Glow	55
13	088 001 120	Tread Plate Even NOT SHOWN	60
14	088 001 121	Tread Plate Odd	60
16	088 001 154	End Guard Safety Label	100-101
	088 001 174	End Machine Guard	22-23
17	088 001 174	Machine End Guard Assembly	100-101
7	088 001 211	Pin Holder	36-37
	088 001 216	Frame/Sweep/Dist Gauge	55
	088 001 216	Frame/Sweep/Dist Gauge	42-43
	088 001 216	Frame/Sweep/Dist Gauge	43
	088 001 217	Yoke Toe Gauge	42-43
	088 001 217	Yoke Toe Gauge	43
14	088 001 230	Thimble	86
15	088 001 231	Clear Rail Cover	86
16	088 001 232	Black Rail Cover	86
55	088 001 233	Gripper Ball Lift Belt-(Narrow Shallow Groove)	84-85
92	088 001 233	Ball Lift Belt	94-95
37	088 001 351	End Fitting - Lh	52
38	088 001 352	End Fitting - Rh	52
9	088 005 501	Spot Tie Rod Asm	25
17	088 005 505	Stick N Slick Cup Liner	86
32	088 005 505	Stick N Slick Cup Liner	44-45
8	088 500 153	Tube Cross Long	36-37
9	088 500 154	Tube Shuttle Short	36-37
10	088 500 155	Tube Long Shuttle Asm.	36-37
11	088 500 157	Tube Shuttle Center	36-37
12	088 500 158	Cross Tube Short Shuttle Asm.	36-37
13	088 500 161	Clamp, End, Shuttle Asm.	36-37
14	088 500 162	90 Xli Shuttle Asm Metric	36-37
15	088 500 166	Strap Spring Bin	36-37
21	088 500 505BX	Carpet Belt In Box	68
21	088 500 505BX	Carpet Belt In Box	68
	088 500 505BX	Black Carpet Belt	69
5	090 001 170	Brkt-Sweep R.H. (10 Side)	55
6	090 001 171	Brkt-Sweep L.H. (7 Side)	55
9	090 002 014	Shaft	87
10	090 002 015	Belt Tensioner Assembly	87
11	090 002 016	Extension Spring	87
18	090 002 024	Liner	86
33	090 002 024	Liner-Black	44-45
28	090 002 538	Table Connector Bracket	18-19
47	090 003 077	Orienter Pan Assembly Dist.	72-73
56	090 003 401	Clutch Race With Slot	84-85
93	090 003 401	Clutch Race-With Slot	94-95
37	090 003 739	Adapter Cable For Above	38-39
19	090 003 795	Roller-Plastic	50
	090 004 007	Tube Hanger Bracket (82-90 Style)	50
39	090 004 007	Tube Hanger Bracket (82-90 Style)	52
40	090 004 010	Sweep Rocker Arm	52
18	090 004 028	"Warning" Label	100-101
34	090 004 033	Spring Retainer	44-45
28	090 004 123	Respot Finger With Insert	46-47
29	090 004 123	Respot Finger Assembly	46-47
30	090 004 123	Respot Finger Assembly	48-49
31	090 004 123	Respot Finger With Insert	48-49
34	090 004 126	Kickplate Weldment Rh/Rhm (Odd)	58
31	090 004 126	Kickback Rh/Rh	82-83
38	090 004 127	Kickplate Weldment Lh/Rhm (Odd)	59
39	090 004 128	Kickplate Weldment Rh/Lhm (Even)	59
35	090 004 129	Kickplate Weldment Lh/Lhm (Even)	58
32	090 004 129	Kickback Lh/Lh	82-83

# PARTS INDEX - CONTINUED

ITEM#	PART#	DESCRIPTION	PAGE#
26	090 004 521	Receptacle Housing	22-23
	090 005 015	Bearing Torque Tube (82-90 Style)	50
41	090 005 015	Bearing Torque Tube (82-90 Style)	52
19	090 005 118	Handrail	100-101
35	090 005 230	Cushion Cover Reinforced	66-67
19	090 005 250	Rod End	86
40	090 005 250	Rod End	34-35
49	090 005 250	Rod End	90-91
10	090 005 251	Tie Rod Assy Spotting	25
11	090 005 251	Tie Rod Assy Respot	25
28	090 005 253	Tie Rod Assy	25
42	090 005 254	Dr Link Conn Rod Assy	52
38	090 005 256	Rod-End-Distributor Support	38-39
44	090 005 257	Rod End Male	52
50	090 005 258	Rod Assy	90-91
20	090 005 259	Rod Assy	86
48	090 005 262	Rod Link Assy	72-73
39	090 005 263	Shuttle Rod Assy	38-39
12	090 005 264	End Fitting Rh	25
29	090 005 264	End Fitting Rh	25
45	090 005 264	End Fitting - Rh	52
13	090 005 265	End Fitting Lh	25
30	090 005 265	End Fitting Lh	25
46	090 005 265	End Fitting Lh	52
22	090 005 270	Bounce Board Rh Front Phenolic (Odd)	68
22	090 005 270	Bounce Board Rh Front Phenolic (Odd)	68
23	090 005 271	Bounce Board Lh Front Phenolic (Even) NOT SHOWN	68
23	090 005 271	Bounce Board Lh Front Phenolic (Even) NOT SHOWN	68
24	090 005 272	Bounce Board Rh Rear Phenolic (Odd)	68
24	090 005 272	Bounce Board Rh Rear Phenolic (Odd)	68
25	090 005 273	Bounce Board Lh Rear Phenolic (Even) NOT SHOWN	68
25	090 005 273	Bounce Board Lh Rear Phenolic (Even) NOT SHOWN	68
26	090 005 275	Bounce Bd Assy R.H. (Odd)	68
26	090 005 275	Bounce Bd Assy R.H. (Odd)	68
27	090 005 276	Bounce Bd Assy L.H. (Even) NOT SHOWN	68
27	090 005 276	Bounce Bd Assy L.H. (Even) NOT SHOWN	68
35	090 005 554	Actuator Arm	44-45
14	090 005 576	Hanger-Spring	24
35	090 005 629	Pin	42-43
40	090 005 723	Solenoid-Insulated	38-39
41	090 005 723	Solenoid Universal	38-39
	090 006 124	Pumpkin Carpet Belt	69
47	090 006 136	Shock Mount- 90/8800	52
7	090 006 166	Decal Amf Sweep Glow White Letters Black Background	55
49	090 006 663	Trip Stop Rod Assy	72-73
50	090 006 665	Cstg Trip Supt Dist Slot No Bearing	72-73
51	090 006 668	Trip Stop Rod And Support Casting Assy	72-73
31	090 008 017	Dual Pit Light Assembly 36" 120/60	6-7
31	090 008 017	Dual Pit Light Assy 36" 120/60	8-9
73	1 021 423	Collar 5/8X1 1/8 X 1/3	38-39
57	146 005 277	Washer	84-85
27	190 001 490	Bearing, Table Drive	22-23
30	190 001 490	Bearing Bl .8750 X .0875 X .5	30-31
36	190 001 490	Bearing Bl .8750 X 1.875 X .5	44-45
8	300 000 175	Urethane Cap-Sweep Bar	55
9	300 000 182	Sweep Bar & Cap Assembly	55
21	520 709 860	82-70 Sngl Chip Mp Bd W/Leds	16-17
	610 088 086	PBL Mini Kit (with Adj Drive Link)	82-83
	610 088 087	PBL Full Kit (with LBS)	82-83
10	610 700 150	Sweep bar Kit For Machine Pair	55
	610 700 153	End Machine Kit	22-23
48	610 700 156	82/70 Sweep Rocker Arm Replacement Kit	52
30	610 704 001	Respot Cell Fgr Kit (Not Shown)	46-47

ITEM#	PART#	DESCRIPTION	PAGE#
32	610 704 001	Respot Cell Finger Kit	48-49
15	610 704 002	Cam Follower Assembly	24
42	610 704 002	Cam Follower Assembly	38-39
20	610 704 003	Torq Tube Conversion Kit	50
52	610 704 005	Pinion & Sleeve Assembly (incl Items 38, 41 & 45)	72-73
53	610 704 006	Clutch Plate Assembly Kit (incl items 42 & 43)	72-73
30	610 704 010	Table Cable Replacement Kit	18-19
	610 704 012	Kit For Old Style Table Drive	30-31
28	610 704 014	Ball Idling Bracket Kit	68
28	610 704 014	Ball Idling Bracket Kit	68
43	610 704 015	Kit-Link Assy	38-39
33	610 704 026	Kit-#7 Respt Lever Assembly	48-49
54	610 704 032	Distributor Assembly	74-75
34	610 704 042-R	Be Lh Motor Gearbox 60 Hz	61
35	610 704 043-R	Be Rh Motor Gearbox 60 Hz	61
28	610 704 052-R	FE Motor Combo Gearbox 60 Hz	22-23
	610 704 098	Pbl Template & Drill Bits (Purchase One For Entire Center When Converting To Pbl Full Or Pbl Mini)	82-83
	610 704 103	Spring Roller Pin Repair Kit	50
	610 704 103	Kit-Spring Roller Pin Repair Kit	22-23
	610 704 120	Double To Single Solenoid Conv. Kit	22-23
44	610 704 120	Conv Kit Dbl-Sgl Sol (Not Pictured)	38-39
45	610 704 120	Double To Single Solenoid Conversion Kit(Not Pictured)	38-39
16	610 704 127	Kit-Latch Override Use With Mp Chassis And 070006445 Latch Assembly	24
	610 704 133	Pin Replacement Kit-Table Drive	30-31
40	610 704 141	Relay 50-60 Hz	14-15
22	610 704 141	Relay 50-60Hz Kit	16-17
55	610 709 811	82/70 Dist Belt Black Rough Top (For 3 Belts)	74-75
58	610 900 709	Straight Shaft & Spacer Kit Lower	84-85
95	610 900 709	Straight Shaft & Spacer Kit Lower	94-95
59	610 900 711	Straight Shaft & Spacer Kit Upper	84-85
36	610 902 026	Kickback Bracket Repair Kit	58
40	610 902 026	Kickback Bracket Repair Kit	59
60	610 905 704	Straight Bore Bearing & Spacer Kit	84-85
96	610 905 704	Straight Bore Bearing & Spacer Kit	94-95
	612 070 012	Counterbalance Spring Eye Repair Kit	50
	612 070 013	Ball Lift Pressure Kit	82-83
61	612 070 013	Ball Lift Pressure Kit	84-85
29	612 070 014	Rear Roller Repair Kit	68
29	612 070 014	Rear Roller Repair Kit	68
	620 709 870	XOP BD w/o cable	15
46	700 107 170	Adhsve-Lkte 609	38-39
62	700 107 170	Adhesve-Loctite 609	84-85
37	701 310 036BG	Bearing Th .315 X .75 X 1/16 (Bag 10)	44-45
9	701 316 041BG	Bearing Th .5100 X 1 X 1/16 (Bag 10)	89
37	701 316 041BG	Brg Th.5100X 1 X1/16 Bag(10)	42-43
12	701 320 045BG	Bearing Th .628 X 1 X 1/8 (Bag 10)	88
98	701 320 045BG	Brg Th .628X 1 X1/8 (Bag 10)	94-95
38	701 320 046	Bearing Th .628 X 1 X 1/16	42-43
41	701 329 050BG	Bearing Th .8905 X 1.5 X 1/8 (Bag 10)	34-35
47	701 416 058	Bearing Fl.502X .627 X .875	38-39
57	701 710 098	Bearing Sp .313	74-75
54	701 712 097	Bearing Sp .375 X .628 Oi	72-73
58	701 849 124	Bearing Bl 1/4 Thrd Bore	74-75
41	709 007 037	Blt-Taper 3/8 X 2 1/4	59
30	710 501 002	Fittng-Almte 1612B	68
30	710 501 002	Fittng-Almte 1612B	68
29	710 501 004	Fittng-Almte	22-23
31	710 501 004	Fittng-Almte* 1641	30-31
42	710 501 007	Fittng-Almte 1792B	34-35
63	710 501 007	Fittng-Almte 1792B	84-85
17	710 501 009	Fittng-Almte	24

ITEM#	PART#	DESCRIPTION	PAGE#
21	710 501 009	Fittng-Almte*3006	50
37	710 501 009	Fittng-Almte 3006	58
42	710 501 009	Fittng-Almte 3006	59
39	710 501 009	Fitting	42-43
18	710 501 012	Fittng-Almte	24
48	710 501 012	Fittng-Almte*1911B	38-39
14	710 501 013	Grease Fitting	25
31	710 501 013	Grease Fitting	25
49	710 501 013	Grease Fitting	52
50	710 501 013	Grease Fitting	52
21	710 502 010	Fittng-Heim Lu640	86
49	710 502 010	Rod-End-Distributor Support	38-39
50	710 502 010	Fittng-Heim*Lu640	38-39
51	710 502 010	Fittng-Heim Lu640	90-91
43	711 516 020	Grmt-Atl 1/2ld *2861	34-35
32	711 520 017	Grommet	6-7
32	711 520 017	Gromme	8-9
41	713 510 007	Pawl-Chassis Cover	14-15
24	713 510 007	Pawl-Chassis Cover	16-17
30	718 506 006	Elbow, Street	22-23
36	721 502 005	Bushng-Rubber Monroe Shock	66-67
52	722 971 522	Sprng-Comp .480D X 7/8	90-91
53	722 985 512	Spring-Compression	90-91
36	724 501 072	Tin-Clip-Cbl.C 4506S	61
32	724 507 002BG	Tin-Nut C-160-1420 (Bag 10)	18-19
11	724 511 006	Tin-Nut-Spd.C814-832	62
42	724 511 050	Tin-Clip-Ty'U'c-8111	14-15
25	724 511 050	Tin-Clip-Ty'U'c-8111	16-17
33	724 511 074	Tin-Nut-Spd'u'c-1505	6-7
33	724 511 074	Tin-Nut-Spd'U'c-1505	8-9
39	724 517 107	Ring-Comp-Tinn .315	44-45
33	730 023 015	Shell	18-19
34	730 027 019	Stud-Ball 1/4-20	18-19
35	730 035 025	Clip-Ball-Joint Brass	18-19
36	730 036 025	Clip-Silver	18-19
34	740 501 001	Ballast-120/60	6-7
34	740 501 001	Ballast-120/60	8-9
35	742 502 002	Cap-Nyln Insl Bu2007	6-7
35	742 502 002	Cap-Nyln Insl Bu2007	8-9
36	742 503 004	Splice Cap Buch2006s	6-7
36	742 503 004	Splice Cap Buch2006s	8-9
37	743 000 020	Cptr-460-552Mfd110ac	6-7
37	743 000 020	Cptr-460-552Mfd110ac	8-9
43	743 502 024	Circuit Breaker Cb2/Cb3	14-15
26	743 502 024	Circuit Breaker Cb-2 & Cb-3	16-17
44	743 506 006	Circuit Breaker 3 Amp	14-15
27	743 506 006	Circ Brkr-3 Amp	16-17
28	743 507 007	Circ Brkr-1 Amp	16-17
9	744 203 014	Clamp-Burndy Hp-6N	27
38	744 203 014	Clamp-Burndy Hp-6N	6-7
38	744 203 014	Clamp-Burndy Hp-6N	8-9
44	744 203 014	Clamp-Burndy Hp-6N	34-35
12	746 001 016	Cnectr-Str #3302 1/2	10
39	746 001 016	Cnectr-Str #3302 1/2	6-7
39	746 001 016	Cnectr-Str #3302 1/2	8-9
45	746 001 016	Cnectr-Str #3302 1/2	34-35
40	746 003 008	Cnectr 90 Deg 266 3/8	6-7
40	746 003 008	Cnectr 90 Deg 266 3/8	8-9
9	746 007 105	Insulatd Line Splice	12-13
41	746 605 011	Cont Block Male 2 Pin	6-7
41	746 605 011	Cont Block Male 2Pin	8-9
20	746 605 011	Contact Block	100-101
30	748 010 034	Transient Voltage Suppressor	16-17

ITEM#	PART#	DESCRIPTION	PAGE#
11	749 537 068	Washer	55
42	751 001 254	Lamp Daylight F30 T12	6-7
42	751 001 254	Lamp, Daylight F30t Dirs	8-9
43	751 001 423	Lamp Flourescent 30W	6-7
43	751 001 423	Lamp Flourescent 30W	8-9
44	751 001 460	Black Light 36"	6-7
44	751 001 460	Black Light 36"	8-9
17	754 010 336	Plug-3 Wire 30A 125V	10
45	754 010 336	Plug-3 Wire 30A 125V	6-7
46	754 010 336	Plug-3 Wire 30A 125V	8-9
18	754 010 337	Plug Arrowhart 50 Hz	10
46	754 010 337	Plug-Arrowhrt 50Hz	6-7
47	754 010 337	Plug-Arrowhrt 50Hz	8-9
47	754 020 312	Cnctr & Prng male 4720	6-7
48	754 020 312	Cnctr & Prngmale 4720	8-9
48	755 010 303	Recptcl-3 Wire Twstlk	6-7
49	755 010 303	Receptacle 3 Wire Twist Lock	8-9
19	755 020 359	Recpt-3 Wire 30A 125V	10
49	755 020 359	Rect 3 wire 30a 125v	6-7
50	755 020 359	RECPT-3 WIRE 30A 125V	8-9
31	755 504 006	Relay P&B Ka5av 24V	16-17
32	755 504 048	Relay P&B T91	16-17
33	756 001 008	Rectifier-Bridge 12A	16-17
50	759 517 051	Swtch Pshbtn 7/8 Dia	6-7
51	759 517 051	Stop Button	8-9
21	759 517 051	Palm Button Safety Switch	100-101
34	760 001 070	Term-Adptr-3000S-5-1	16-17
35	760 005 129	Termnal Amp#583361-4	16-17
2	760 006 195	Term Flg .250 X .032 Lp	20
10	760 006 195	Term Flg .250 X .032 Lp	12-13
11	760 011 197BG	Term-Pin.062 Dia Lp (Bag 20)	12-13
37	760 011 197BG	Term-Pin.062 Dia Lp (Bag 10)	18-19
2	760 015 038	Terminal, Flat Spade	10
5	760 015 038	Term-Amp	10
37	760 015 038	Term-Amp 41473	61
20	760 015 055	Term-Spde 42168-2	10
3	760 017 036	Term-Strait Amp 41729	10
6	760 017 036	Term-Strait Amp 41729	10
21	760 017 036	Term-Strait Amp 41729	10
6	760 017 036	Term-Strait Am	11
3	760 017 036	Term-Strait Amp41729	20
12	760 017 036	Term-Strait Amp	12-13
13	760 017 044	Term Str-Amp 41772 RI	10
14	760 019 201Bg	Term Skt .062 Dia Lp (Bag 20)	10
7	760 019 201BG	Term Skt .062 Dia Lp (Bag of 20)	11
13	760 019 201BG	Term Skt .062 Dia Lp v	12-13
14	760 022 150	Term-18-14 Ga Wire	12-13
36	761 700 002	Varistor-Ge V4721	16-17
37	762 011 011	Trsfmr 115/230 50/60	16-17
38	762 015 015	Trsfmr 120 50/60	16-17
38	770 008 009	Spirap-Poly-5 Ft Strip	18-19
22	770 011 010	Tyrap 14.19 Inch Lg	50
51	770 011 010	Tyrap 14.19 Inch Lg	6-7
52	770 011 010	Tyrap 14.19 Inch Lg	8-9
15	770 011 029	Tyrap-7.31 Inch Lg	12-13
39	770 011 029	Tyrap-7.31 Inch Lg	18-19
31	785 501 655	Recpt Asy-West Comb	22-23
32	785 502 202	Screw Rdhd 3 X 10Mm	22-23
	791 003 004	C-2A Circuit Tester	20
	791 004 004	Continuity Test Light	20
	792 020 044	Combination Square	42-43
	792 020 044	Combination Square	43
	792 505 005	Spring Puller	42-43

# PARTS INDEX - CONTINUED

ITEM#	PART#	DESCRIPTION	PAGE#
	792 505 005	Spring Puller	43
31	792 506 033	Insert-Respot/ Square Hole	46-47
34	792 506 033	Insert-Respot/ Square Hole	48-49
	792 512 019	Amp Crimping Tool	20
22	801 239 160	Bolt Carriage 10-24	100-101
54	802 865 996BG	Screw-Hhc 3/8-16 X 9 1/2 (Bag 10)	90-91
99	802 865 996BG	Scr-Hhc 3/8-16 X 9 1/2 (Bag 10)	94-95
51	804 557 731	U-Bolt 5/16-18 X 4.440	52
59	806 249 060BG	Scr-St sq hd 1/4-20 X 3/8 (Bag 10)	74-75
31	806 265 160BG	Screw-Stsq 3/8-16 X 1 Cp (Bag 10)	68
31	806 265 160BG	Screw-Stsq 3/8-16 X 1 Cp (Bag 10)	68
33	806 265 160BG	Screw-Stsq 3/8-16 X 1 Cp (Bag 10)	82-83
64	806 265 160BG	Scr-Stsq 3/8-16 X 1 Cp (Bag 10)	84-85
100	806 265 160BG	Scr-Stsq 3/8-16 X 1 Cp (Bag 10)	94-95
40	806 265 240BG	Screw-Stsq 3/8-16 X 1 1/2 (Bag 10)	44-45
40	806 749 160	Scr Sqhd Set1/4-20X1	42-43
101	807 249 040BG	Screw 1/4-20 X 1/4 Cp (Bag 10)	94-95
60	807 249 160BG	Scr-Stso 1/4-20 X 1 Cp (Bag 10)	74-75
13	807 257 060BG	Screw Stcp 5/16-18 X 3/8 (Bag 10)	88
34	807 265 060	3/8-3/16 X 3/8 Socket Set,Cup Pt	82-83
65	807 265 060	3/8-3/16 X 3/8 Socket Set, Cup Pt	84-85
66	807 265 080	Scr-Stso3/8-16 X 1/2 Cp (Bag 10)	84-85
103	807 265 080BG	Scr-Stso3/8-16 X 1/2Cp (Bag 10)	94-95
14	807 357 040BG	Screw-Stso5/16-18 X 1/4 K (Bag 10)	88
51	807 357 040BG	Screw-Stso5/16-18 X 1/4K (Bag 10)	38-39
55	807 357 040BG	Screw-Stso 5/16-18 X 1/4 (Bag 10)	90-91
41	807 357 060BG	Screw Stso 5/16-18 X 3 (Bag 10)	42-43
38	807 357 080BG	Screw-Stso5/16-18 X 1/2 (Bag 10)	61
39	807 358 060BG	Screw-Stso5/16-24 X 3/8 (Bag 10)	61
11	807 358 060BG	Screw-Stso 5/16-24 X 3/8 K (Bag 10)	79
46	808 549 080BG	1/4-20 X 1/2 Button Hd Cap (Bag 10)	34-35
38	808 549 160BG	Scr-Sobt 1/4-20 X 1 (Bag 10)	58
61	808 549 200BG	Scr-Sobt 1/4-20 X 1 1/4 (Bag 10)	74-75
16	808 549 240BG	Screw-Sobt 1/4-20 X 1 1/2 (Bag 10)	36-37
39	808 557 120	Scr-Sofi 5/16-18 X 3/4	58
12	808 557 140BG	Screw-Sb hc 5/16-18 X 7/8 (Bag 10)	55
15	808 566 160BG	Screw-Sobt 3/8-24 X 1 (Bag 10)	60
32	808 640 121BG	Screw Soc Lk 10-32 X 3/4 (Bag 10)	46-47
35	808 640 121BG	Screw Soc Lk 10-32 X 3/4 (Bag 10)	48-49
17	808 640 141BG	Screw-Soc Lk 10-32 X 7/8 (Bag 10)	28-29
33	808 640 141BG	Screw-Soc Lk 10-32 X 7/8 (Bag 10)	46-47
36	808 640 141BG	Screw-Soc Lk 10-32 X 7/8 (Bag 10)	48-49
16	808 849 120BG	Screw-Sofi 1/4-20 X 3/4 (Bag 10)	60
32	808 849 160BG	Screw-Sofi 1/4-20 X 1 (Bag 10)	68
32	808 849 160BG	Screw-Sofi 1/4-20 X 1 (Bag 10)	68
67	808 849 565Bg	Screw Fl Soc Hd Cap Bag (10)	84-85
40	808 857 160BG	Scr-Sofi 5/16-18 X 1 (Bag 10)	58
22	808 857 280BG	Screw Fsh 5/16-18 X 1 3/4 (Bag 10)	86
17	808 858 120BG	Screw-Sofi 5/16-24 X 3/4 (Bag 10)	60
18	808 858 240BG	Screw-Sofi5/16-24 X 1 1/2 (Bag 10)	60
19	808 865 140BG	Screw-Sofi 3/8-16 X 7/8 (Bag 10)	92-93
37	808 865 320BG	Screw-Sofi 3/8-16 X 2 (Bag 10)	66-67
38	808 865 400BG	Scr-Sofi 3/8-16 X 2 1/2(Bag10)	66-67
104	808 957 160BG	Screw 5/16-18 X 1 nylon point (Bag 10)	94-95
52	809 849 085	Screw-Hex 1/4-20 X 1/2	6-7
53	809 849 085	Screw-Hex 1/4-20 X 1/2	8-9
40	809 849 085	Screw-Hex 1/4-20 X 1/2	18-19
47	809 849 085	Screw-Hex 1/4-20 X 1/2	34-35
55	809 849 100BG	Scr-Hx 1/4-20 X 5/8 (Bag 10)	72-73
43	809 849 125	Screw-Hex 1/4-20 X 3/4	59
40	809 849 125	Screw-Hex 1/4-20 X 3/4	61
53	809 849 125	Screw-Hex 1/4-20 X 3/4	6-7
54	809 849 125	Screw-Hex 1/4-20 X 3/4	8-9

ITEM#	PART#	DESCRIPTION	PAGE#
48	809 849 125	Screw-Hex 1/4-20 X 3/4	34-35
39	809 849 125	Screw-Hex 1/4-20 X 3/4	66-67
56	809 849 125	Screw-Hex 1/4-20 X 3/4	72-73
62	809 849 125	Screw-Hex 1/4-20 X 3/4	74-75
56	809 849 145BG	Screw-Hex 1/4-20 X 7/8 (Bag 10)	90-91
105	809 849 145BG	Scr-Hx 1/4-20 X 7/8 (Bag 10)	94-95
63	809 849 165	1/4-20 X 1 Screw Hh Gr8 Blk	74-75
33	809 849 165BG	Screw-Hex 1/4-20 X 1 (Bag 10)	68
33	809 849 165BG	Screw-Hex 1/4-20 X 1 (Bag 10)	68
49	809 849 165BG	Screw-Hex 1/4-20 X 1 (Bag 10)	34-35
42	809 849 165BG	Screw-Hex 1/4-20 X 1 (Bag 10)	42-43
41	809 849 165BG	Screw-Hex 1/4-20 X 1 (Bag 10)	44-45
34	809 849 205BG	1/4-20 X 1 1/4 Machine Screw (Bag 10)	68
34	809 849 205BG	1/4-20 X 1 1/4 Machine Screw (Bag 10)	68
57	809 849 205BG	Scr-Hx 1/4-20 X1 1/4 (Bag 10)	72-73
20	809 849 205BG	1/4-20 X 1 1/4 Machine Screw (Bag 10)	92-93
17	809 849 245BG	Screw-Hex 1/4-20 X 1 1/2 (Bag 10)	36-37
50	809 849 285BG	Screw-Hex 1/4-20 X 1 3/4 (Bag 10)	34-35
18	809 849 285BG	Screw-Hex 1/4-20 X 1 3/4 (Bag 10)	36-37
35	809 849 325BG	1/4-20 X 2 Cap Screw (Bag 10)	68
35	809 849 325BG	1/4-20 X 2 Cap Screw (Bag 10)	68
19	809 849 325BG	1/4-20 X 2 Cap Screw (Bag 10)	36-37
68	809 849 365BG	Scr-Hx 1/4-20 X 2 1/4 (Bag 10)	84-85
51	809 849 485BG	Scr-Hx 1/4-20X3 (Bag 10)	34-35
52	809 849 605BG	Screw-Hex 1/4-20 X 3 3/4 (Bag 10)	34-35
64	809 849 605BG	Scr-Hx 1/4-20 X 3 3/4 (Bag 10)	74-75
65	809 849 885BG	Scr-Hx 1/4-20 X 5 1/2 (Bag 10)	74-75
58	809 857 080BG	Scr-Hx 5/16-18 X 1/2 (Bag 10)	72-73
41	809 857 125BG	Scr-Hx 5/16-18 X 3/4 (Bag 10)	58
44	809 857 125BG	Scr-Hx 5/16-18 X 3/4 (Bag 10)	59
19	809 857 125BG	Screw-Hex 5/16-18 X 3/4 (Bag 10)	60
41	809 857 125BG	Screw-Hex 5/16-18 X 3/4 (Bag 10)	61
33	809 857 125BG	Screw-Hx 5/16-18 X 3/4 (Bag 10)	22-23
40	809 857 125BG	Screw-Hex 5/16-18 X 3/4 (Bag 10)	66-67
106	809 857 125BG	Scr-Hx 5/16-18 X 3/4 (Bag 10)	94-95
45	809 857 165BG	Scr-Hx 5/16-18 X 1 (Bag 10)	59
20	809 857 165BG	Screw-Hex 5/16-18 X 1 (Bag 10)	60
34	809 857 165BG	Screw-Hx 5/16-18 X 1 (Bag 10)	22-23
41	809 857 165BG	Screw-Hex 5/16-18 X 1 (Bag 10)	66-67
35	809 857 165BG	Screw-Hex 5/16-18 X 1 (Bag 10)	82-83
57	809 857 165BG	Screw-Hex 5/16-18 X 1 (Bag 10)	90-91
107	809 857 165BG	Scr-Hx 5/16-18 X 1 (Bag 10)	94-95
21	809 857 205BG	Screw-Hex 5/16-18 X 1 1/4 (Bag 10)	60
42	809 857 205BG	Screw-Hex 5/16-18 X 1 1/4 (Bag 10)	61
36	809 857 205BG	Screw-Hex 5/16-18 X 1 1/4 (Bag 10)	68
36	809 857 205BG	Screw-Hex 5/16-18 X 1 1/4 (Bag 10)	68
42	809 857 205BG	Screw-Hex 5/16-18 X 1 1/4 (Bag 10)	66-67
108	809 857 205BG	Scr-Hx 5/16-18 X 1 1/4 (Bag 10)	94-95
13	809 857 245BG	Screw-Hex 5/16-18 X 1 1/2 (Bag 10)	55
35	809 857 405BG	Screw-Hx 5/16-18 X 2 1/2 (Bag 10)	22-23
43	809 857 565	Screw-Hex 5/16-18 X 3 1/2	61
58	809 857 880BG	Screw-Hex 5/16-18 X 5 1/2 (Bag 10)	90-91
43	809 865 125BG	Screw-Hex 3/8-16 X 3/4 (Bag 10)	42-43
46	809 865 165BG	Screw 3/8-16 X 1 (Bag 10)	59
23	809 865 165BG	Screw-Hex 3/8-16 X 1 (Bag 10)	86
53	809 865 165BG	Screw-Hex 3/8-16 X 1 (Bag 10)	34-35
52	809 865 165BG	Screw-Hex 3/8-16 X 1 (Bag 10)	38-39
69	809 865 165BG	Screw 3/8-16 X 1 (Bag 10)	84-85
59	809 865 165BG	Screw-Hex 3/8-16 X 1 (Bag 10)	90-91
42	809 865 205BG	Scr-Hx 3/8-16 X 1 1/4 (Bag 10)	58
24	809 865 205BG	Screw-Hex 3/8-16 X 1 1/4 (Bag 10)	86
53	809 865 205BG	Screw-Hex 3/8-16 X 1 1/4 (Bag 10)	38-39
44	809 865 205BG	Screw Hex 3/8-16X1 1/4 (Bag 10)	42-43

ITEM#	PART#	DESCRIPTION	PAGE#	ITEM#	PART#	DESCRIPTION	PAGE#
60	809 865 205BG	Screw-Hex 3/8-16 X 1 1/4 (Bag 10)	90-91	48	818 221 102BG	Scr-Smrd #4-40X5/8 (Bag 10)	14-15
25	809 865 245BG	Screw-Hex 3/8-16 X 1 1/2 (Bag 10)	25	49	818 227 062	Screw-Smrd #6 X 3/8	14-15
23	809 865 245BG	Screw-Hex 3/8-16X1 1/2 (Bag 10)	50	40	818 227 062	Screw 6-32 X 3/8 Phil Rd	22-23
42	809 865 245BG	Screw-Hex 3/8-16 X 1 1/2 (Bag 10)	44-45	13	818 227 082BG	Scr-Smrd #6-32 X 1/2 (Bag 10)	62
109	809 865 245BG	Scr-Hx 3/8-16 X 1 1/2 (Bag 10)	94-95	58	818 227 082BG	Scr-Smrd #6-32X1/2 (Bag 10)	6-7
52	809 865 285	Screw-Hex 3/8-16 X 1-3/4	52	59	818 227 082BG	Scr-Smrd #6-32X1/2 (Bag 10)	8-9
36	809 865 285	Screw-Hex 3/8-16 X 1 3/4	82-83	50	818 227 082BG	Scr-Smrd #6-32X1/2 (Bag 10)	14-15
25	809 865 325BG	Screw-Hex 3/8-16 X 2 (Bag 10)	86	51	818 227 102	Screw-Smrd #6-32 X 5/8	14-15
43	809 865 365BG	3/8-16 X 2-1/4 Hex Head Screw (Bag 10)	44-45	43	818 227 102	Screw-Smrd #6-32 X 5/8	16-17
61	809 865 405BG	Screw-Hex 3/8-16 X 2 1/2 (Bag 10)	90-91	44	818 227 162BG	Scr-Smrd #6-32X1 (Bag 10)	16-17
110	809 865 405BG	Scr-Hx 3/8-16 X 2 1/2 (Bag 10)	94-95	19	818 227 162BG	Screw-Smrd 6-32 X 1 (Bag 10)	28-29
70	809 865 445BG	Scr-Hx 3/8-16 X 2 3/4 (Bag 10)	84-85	55	818 227 162BG	Screw-Smrd 6-32 X 1 (Bag 10)	34-35
53	809 865 565BG	Screw-Hex 3/8-16 X 3-1/2 (Bag 10)	52	27	818 227 202BG	Screw-Smrd 6-32X1 1/4 (Bag 10)	50
43	809 865 645BG	Scr-Hx 3/8-16 X 4 (Bag 10)	58	44	818 227 202BG	Screw-Smrd 6-32 X 1 1/4 (Bag 10)	61
47	809 865 645BG	Scr-Hx 3/8-16 X 4 (Bag 10)	59	10	818 227 402	Screw-Rh 6-32 X 2 1/2	27
36	809 865 645BG	Screw-Hx 3/8-16 X (Bag 10)	22-23	52	818 233 042	Screw-Smrd #8-32 X 1/4 - OBS	14-15
26	809 865 992BG	Screw Hexhdcp 3/8-16 X 9 (Bag 10)	86	53	818 233 062	Scr-Smrd #8-32X3/8	14-15
15	809 869 245BG	Screw-Hex 7/16-14 X 1 1/2 (Bag 10)	25	11	818 233 082	Screw-Smrd 8-32 X 1/2	27
24	809 869 245BG	Screw-Hex 7/16-14X1 1/2 (Bag 10)	50	14	818 233 082BG	Scr-Smrd #8-32 X 1/2 (Bag 10)	62
16	809 869 285	Screw-Hex 7/16-14 X 1 3/4	25	59	818 233 082BG	Scr-Smrd #8-32X1/2 (Bag 10)	6-7
32	809 869 325BG	Screw-Hex Hd Cap 7/16-14 X 2 (Bag 10)	25	60	818 233 082BG	Scr-Smrd #8-32X1/2 (Bag 10)	8-9
25	809 869 325BG	Screw-Hexhdcp7/16-14X2 (Bag 10)	50	54	818 233 082BG	Scr-Smrd #8-32X1/2 (Bag 10)	14-15
17	809 869 365BG	Screw-Hex 7/16-14 X 2 1/4 (Bag 10)	25	56	818 233 082BG	Screw-Smrd 8-32 X 1/2 (Bag 10)	34-35
33	809 869 365BG	Screw-Hex 7/16-14 X 2 1/4 (Bag 10)	25	15	818 233 122BG	Scr-Smrd #8-32 X 3/4 (Bag 10)	62
54	809 869 365BG	Screw-Hex 7/16-14 X 2-1/4 (Bag 10)	52	60	818 233 122BG	Scr-Smrd #8-32X3/4 (Bag 10)	6-7
55	809 869 405BG	Screw-Hex 7/16-14 X 2-1/2 (Bag 10)	52	61	818 233 122BG	Scr-Smrd #8-32X3/4 (Bag 10)	8-9
32	809 870 285BG	Screw-Hex 7/16-20 X 1 3/4	30-31	55	818 233 122BG	Scr-Smrd #8-32X3/4 (Bag 10)	14-15
33	809 870 325BG	Screw-Hex 7/16-20 X 2	30-31	45	818 233 122BG	Scr-Smrd #8-32X3/4 (Bag 10)	16-17
37	809 873 405BG	Screw-Hx 1/2-13 X 2 1/2 (Bag 10)	22-23	62	818 239 122BG	Scr-Smrd #10-24X3/4 (Bag 10)	8-9
34	809 873 525BG	Scr-Hx 1/2-13X3 1/4 (Bag 100)	30-31	41	818 239 122BG	Screw-Smrd 10-24 X 3/4 (Bag 10)	22-23
26	809 881 640BG	Screw-Hex Hdcap5/8-11X4 (Bag 10)	50	16	818 627 042BG	Scr-Smrd #6-32 X 1/4 (Bag 10)	62
21	809 965 125BG	Screw-Hexplk 3/8-16 X 3/4	92-93	61	818 627 042BG	Scr-Smrd #6-32X1/4 (Bag 10)	6-7
45	810 239 120BG	Screw-Soc 10-24 X 3/4 (Bag 10)	42-43	63	818 627 042BG	Scr-Smrd #6-32X1/4 (Bag 10)	8-9
66	810 239 160BG	Scr-Soc 10-24 X 1 (Bag 10)	74-75	62	818239122BG	Scr-Smrd #10-24X3/4 (Bag 10)	6-7
59	810 239 240BG	Scr-Soc 10-24 X 1 1/2 (Bag 10)	72-73	111	821 438 082	Screw, Hex Head Slotted (Type Ab) #10 X 1/2	94-95
44	810 249 200BG	Screw-Soc 1/4-20 X 1 1/4 (Bag 10)	44-45	45	823 126 062BG	Screw-Tap-Rd 6 X 3/8 Tya (Bag 10)	61
43	810 250 200BG	Screw-Soc 1/4-28 X 1 1/4 (Bag 10)	66-67	46	823 132 082BG	Screw-Tap-Rdt 8 X 1/2 (Bag 10)	16-17
44	810 258 100BG	Screw 5/16 - 24 X 5/8 (Bag 10)	58	56	824 332 082BG	Scr-Tap-Tr #8X 1/2 Tya (Bag 10)	14-15
39	810 265 280BG	Screw-Soc 3/8-16 X 1 3/4 (Bag 10)	22-23	63	826 032 060BG	Scr-Tat-Wa #8-3/8 (Bag 100)	6-7
27	810 265 400BG	Screw-Schd 3/8-16 X 2 1/2 (Bag 10)	86	64	826 032 060BG	Scr-Tat-Wa 8-3/8 (Bag 100)	8-9
28	810 365 401BG	Screw-Shc Lk 3/8-16 X 2 1/2 (Bag 10)	86	64	828 127 062BG	Scr-Tdrd #6-32X3/8Tyd (Bag 10)	6-7
41	812 039 162BG	Screw-Flhd 10-24 X 1 (Bag 10)	18-19	65	828 127 062BG	Scr-Tdrd+6-32X3/8Tyd (Bag 10)	8-9
22	812 627 122	Screw-Rdhd 6-32 X 3/4	10	42	828 127 062BG	Screw-Rdhd 6-32 X 3/8Tyd (Bag 10)	22-23
54	812 627 122	Screw-Rdhd #6-32 X 3/4	6-7	17	829 905 042	Screw-Drpk 0 X 1/4 Ty U	62
55	812 627 122	Screw-Rdhd 6-32 X 3/4	8-9	65	829 905 042	Screw-Drpk 0 X 1/4 Ty U	6-7
40	812 633 062BG	Scr-Rdhd #8-32X3/8Cd (Bag 10)	16-17	66	829 905 042	Screw-Drpk 0 X1/4 Ty U	8-9
55	812 840 082BG	Scr-Rdhd 10-32X1/2 (Bag 10)	6-7	14	830 057 002BG	Nut Acorn Lok 5/16-18 (Bag 10)	55
56	812 840 082BG	Scr-Rdhd= 10-32X1/2 (Bag 10)	8-9	57	831 565 002BG	3/8-16 Hex Steel Machine Nut (Bag 10)	34-35
56	813 227 162	Screw-Pnhd #6-32 X 1 Cd	6-7	60	831 565 002BG	Nut-Hex 3/8-16 Cd (Bag 10)	72-73
57	813 227 162	Screw-Pnhd 6-32 X 1 Cd	8-9	71	831 566 002BG	Nut-Hex 3/8-24 (Bag 10)	84-85
8	813 321 062BG	Screw Cd (Bag 10)	11	112	831 566 002BG	Nut-Hex 3/8 - 24 (Bag 10)	94-95
16	813 321 062BG	Screw Cd (Bag 10)	12-13	62	831 573 002BG	Nut-Std Hex 1/2-13 (Bag 10)	90-91
45	813 327 062	6-32 X 3/8 Sltd Pan Head Screw	14-15	56	834 527 002BG	Nut-Hex 6-32 Cd (Bag 10)	38-39
57	813 340 042BG	Scr-Pnhd 10-32X1/4Cd (Bag 10)	6-7	68	834 549 002	1/4-20 Steel Hex Nut, Pltd	74-75
58	813 340 042BG	Scr-Pnhd #10-32X1/4Cd (Bag 10)	8-9	57	834 557 002BG	Nut Hex 5/16-18 (Bag 10)	38-39
41	813 540 082BG	Scr #10-32X1/2Cd (Bag 10)	16-17	66	834 621 000BG	NUT-HEX 4-40 BRASS(Bag 10)	6-7
54	813 540 082BG	Screw-Trhd 10-32 X 1/2 Cd (Bag 10)	34-35	67	834 621 000BG	NUT-HEX 4-40 BRASS(Bag 10)	8-9
67	813 540 082BG	Screw 10-32 X 1/2Cd (Bag 10)	74-75	9	834 821 000BG	Nut-Hex 4-40 Brass (Bag 10)	11
18	813 727 162	Screw 6-32 X 1.0 - Obs	28-29	17	834 821 000BG	Nut-Hex 4-40 Brass (Bag 10)	12-13
54	813 933 162BG	Screw Hd 8-32 X 1.0 - OBS (Bag 10)	38-39	47	834 821 000BG	Nut-Hex 4-40 Brass (Bag 10)	16-17
55	814 333 122BG	Scr-Hx 8-32X3/4 (Bag 10)	38-39	42	834 821 000BG	4-40 Hex Brass Nut (Bag 10)	18-19
12	817 921 080	Screw Pnhd 4-40 X 1/2 Sems	62	43	835 549 002BG	1/4-20 Jam Nut (Bag 10)	22-23
42	817 921 080	Scr #4-40 X 1/2 Sem	16-17	58	835 549 002BG	1/4-20 Jam Nut (Bag 10)	38-39

# PARTS INDEX - CONTINUED

ITEM#	PART#	DESCRIPTION	PAGE#
46	835 549 002BG	1/4-20 Jam Nut (Bag 10)	42-43
69	835 549 002BG	Nut-Hx-Jam 1/4-20 (Bag 10)	74-75
12	835 550 002	Nut-Hex-Jam 1/4-28	27
20	835 550 002BG	Nut-Hex-Jam 1/4-28 (Bag 10)	28-29
47	835 550 002BG	Nut Hex Jam 1/4-28 (Bag 10)	42-43
37	835 558 002BG	Nut-Hex-Jam 5/16-24 (Bag 10)	48-49
37	835 558 002BG	Nut-Hex-Jam 5/16 -24 (Bag 10)	82-83
59	835 565 002	3/8 X 16 Hex Nut - Thin	38-39
45	835 565 002	3/8 X 16 Hex Nut - Thin	44-45
113	835 565 002	3/8 X 16 Hex Nut - Thin	94-95
29	835 566 002	3/8-24 Hex Stl Thin Nut	86
58	835 566 002	3/8-24 Hex Stl Thin Nut	34-35
60	835 566 002	3/8-24 Hex Stl Thin Nut	38-39
63	835 566 002	3/8-24 Hex Stl Thin Nut	90-91
18	835 570 002BG	Nut-Hex-Jam 7/16-20Hy (Bag 10)	25
35	835 570 002BG	Nut-Hex-Jam 7/16-20Hy (Bag 10)	25
56	835 570 002BG	Nut-Hex-Jam 7/16-20Hy (Bag 10)	52
61	835 570 002BG	Nut-Hex-Jam 7/16-20Hy (Bag 10)	38-39
114	835 573 002BG	Nut-Hx-Jam 1/2-13 Cd (Bag 10)	94-95
57	835 574 002BG	Nut-Hex-Jam 1/2-20 Cd (Bag 10)	52
58	835 582 002	5/8-18 Unf Hex Thin Nut- Pltd	52
61	835 582 002	5/8-18 Unf Hex Thin Nut- Pltd	72-73
48	835 650 002BG	Nut Hex Jam 1/4-25 Lh (Bag 10)	42-43
19	835 670 002BG	Nut-Hex-Jam 7/16-20Lh (Bag 10)	25
36	835 670 002BG	Nut-Hex-Jam 7/16-20Lh (Bag 10)	25
59	835 670 002BG	Nut-Hex-Jam 7/16-20Lh (Bag 10)	52
60	835 674 002BG	Nut-Hex-Jam 1/2-20 Lh (Bag 10)	52
21	838 727 002BG	Nut-Hex-Esn 6-32 Lt (Bag 10)	28-29
30	838 866 002BG	Nut-Hex-Esn-Tn 3/8-24 (Bag 10)	86
64	838 866 002BG	Nut-Hex-Esn-Tn 3/8-24 (Bag 10)	90-91
22	838 866 002BG	Nut-Hex-Esn-Tn 3/8-24 (Bag 10)	92-93
46	839 527 002BG	6-32 Flex Nut (Bag 10)	61
67	839 527 002BG	Nut-Fix-Tk #6-32 Ht (Bag 10)	6-7
68	839 527 002BG	Nut-Fix-Tk #6-32 Ht (Bag 10)	8-9
22	839 527 002BG	Nut-Fix-Tk 6-32 Ht (Bag 10)	28-29
62	839 533 002BG	8-32 Lock Nut	38-39
68	839 539 002BG	Nut-Fix-Tk #10-24 Ht (Bag-10)	6-7
69	839 539 002BG	Nut-Fix-Tk #10-24 Ht (Bag-10)	8-9
43	839 539 002BG	Nut-Fix-Tk *10-24 Ht(Bag 10)	18-19
35	839 539 002BG	Nut-Fix-Tk #10-24 Ht (Bag 10)	30-31
49	839 539 002BG	Nut-Fix-Tk (Bag 10)	42-43
28	839 549 002BG	Nut-Fix-Tk 1/4-20 Ht (Bag 10)	50
72	839 549 002Bg	Nut-Fix-Tk 1/4-20 Ht (Bag 10)	84-85
23	839 549 002BG	Nut-Fix-Tk 1/4-20 Ht (Bag 10)	92-93
115	839 549 002BG	Nut-Fix-Tk 1/4-20 Ht (Bag 10)	94-95
65	839 565 002BG	3/8-16 Hex Nylon Lock Nut (Bag 10)	90-91
19	839 665 002BG	Nut-Fix 3/8-16 (Bag 10)	24
61	839 665 002BG	Nut-Fix 3/8-16 (Bag 10)	52
45	839 665 002BG	Nut-Fix 3/8-16 (Bag 10)	58
48	839 665 002BG	Nut-Fix 3/8-16 (Bag 10)	59
50	839 665 002BG	Nut-Fix 3/8-16 (Bag 10)	42-43
46	839 665 002BG	Nut-Fix 3/8-16 (Bag 10)	44-45
44	839 665 002BG	Nut-Fix 3/8-16 (Bag 10)	66-67
73	839 665 002BG	Nut-Fix 3/8-16 (Bag 10)	84-85
116	839 665 002BG	Nut-Fix 3/8-16 (Bag 10)	94-95
44	840 039 002BG	10-24 Flex Nut Tn (Bag 10)	22-23
62	840 039 002BG	Nut-Fix-Tn #10-24 (Bag 10)	72-73
70	840 039 002BG	Nut-Fix-Tn #10-24 (Bag 10)	74-75
71	840 040 002BG	Nut-Fix-Tn #10-32 (Bag 10)	74-75
59	840 049 002BG	Nut Flex 1/4-20 (Bag 10)	34-35
74	840 057 002BG	Nut-Flex Thin 5/16-18 (Bag 10)	84-85
117	840 057 002BG	Nut-Flex Thin 5/16-18 (Bag 10)	94-95
26	840 065 002BG	Nut-Fix-Tn 3/8-16 (Bag 10)	25

ITEM#	PART#	DESCRIPTION	PAGE#
29	840 065 002BG	Nut-Fix-Tn 3/8-16 (Bag 10)	50
46	840 065 002BG	Nut-Fix-Tn 3/8-16 (Bag 10)	58
63	840 065 002BG	Nut-Fix-Tn 3/8-16 (Bag 10)	38-39
66	840 065 002BG	Nut-Fix-Tn 3/8-16 (Bag 10)	90-91
51	840 066 002BG	Nut-Fix-Tn 3/8-24 (Bag 10)	42-43
36	840 070 002BG	Nut Flex 7/16-20 (Bag 10)	30-31
37	840 182 002BG	Nut Fix Lk 31Fk1018	30-31
47	840 381 002BG	Nut-Fix-Tk 5/8-11 (Bag 10)	44-45
52	840 600 002BG	Nut Fix Link 7/8 X 14 (Bag 10)	42-43
18	843 121 002	Nut-Kep 4-40 Wash	62
57	843 121 002	Nut-Kep 4-40 Wash	14-15
48	843 121 002	Nut-Kep 4-40 Wash	16-17
13	843 127 002	Nut-Kep 6-32 Wash	27
30	843 127 002BG	Nut-Kep 6-32 Wash (Bag 10)	50
19	843 127 002BG	Nut-Kep 6-32 Wash (Bag 10)	62
69	843 127 002BG	Nut-Kep #6-32 Wash (Bag 10)	6-7
70	843 127 002BG	Nut-Kep #6-32 Wash (Bag 10)	8-9
58	843 127 002BG	Nut-Kep 6-32 Wash (Bag 10)	14-15
49	843 127 002BG	Nut-Kep 6-32 Wash (Bag 10)	16-17
60	843 127 002BG	Nut-Kep 6-32 Wash (Bag 10)	34-35
14	843 133 002	Nut-Kep 8-32 Wash	27
20	843 133 002BG	Nut-Kep 8-32 Wash (Bag 10)	62
70	843 133 002BG	Nut-Kep #8-32 Wash (Bag 10)	6-7
71	843 133 002BG	Nut-Kep #8-32 Wash (Bag 10)	8-9
59	843 133 002BG	Nut-Kep 8-32 Wash (Bag 10)	14-15
50	843 133 002BG	Nut-Kep 8-32 Wash (Bag 10)	16-17
61	843 133 002BG	Nut-Kep 8-32 Wash (Bag 10)	34-35
64	843 133 002BG	Nut-Kep 8-32 Wash (Bag 10)	38-39
45	843 139 002BG	Nut, Keps Ext. Lkwsrh (#10-24) (Bag 10)	22-23
23	843 139 002BG	Kep Nut 10-24	100-101
60	843 140 002BG	Nut-Kep 10-32 Wash (Bag 10)	14-15
51	843 140 002BG	Nut-Kep 10-32 Wash (Bag 10)	16-17
23	843 140 002BG	Nut-Kep 10-32 Wash (Bag 10)	28-29
53	843 140 002BG	Nut-Kep 10-32 Wash (Bag 10)	42-43
47	844 049 002BG	Nut-Stvr-Lk 1/4-20 (Bag 10)	58
49	844 049 002BG	Nut-Stvr-Lk 1/4-20 Bag(10)	59
22	844 049 002BG	1/4-20 Lock Nut (Bag 10)	60
47	844 049 002BG	1/4-20 Lock Nut (Bag 10)	61
37	844 049 002BG	1/4-20 Lock Nut (Bag 10)	68
37	844 049 002BG	1/4-20 Lock Nut (Bag 10)	68
71	844 049 002BG	Nut-Stvr-Lk 1/4-20 (Bag 10)	6-7
72	844 049 002BG	Nut-Stvr-Lk 1/4-20 (Bag 10)	8-9
44	844 049 002BG	1/4-20 Lock Nut (Bag 10)	18-19
62	844 049 002BG	1/4-20 Lock Nut (Bag 10)	34-35
20	844 049 002BG	1/4-20 Lock Nut (Bag 10)	36-37
54	844 049 002BG	1/4-20 Lock Nut (Bag 10)	42-43
48	844 049 002BG	1/4-20 Lock Nut (Bag 10)	44-45
34	844 049 002BG	1/4-20 Lock Nut (Bag 10)	46-47
38	844 049 002BG	1/4-20 Lock Nut (Bag 10)	48-49
45	844 049 002BG	1/4-20 Lock Nut (Bag 10)	66-67
63	844 049 002BG	Nut-Stvr-Lk 1/4-20 (Bag 10)	72-73
72	844 049 002BG	Nut-Stvr-Lk 1/4-20 (Bag 10)	74-75
67	844 049 002BG	1/4-20 Lock Nut (Bag 10)	90-91
64	844 050 002BG	Nut-Stvr-Lk 1/4-28 (Bag 10)	72-73
62	844 057 002BG	5/16-18 Stover Locknut (Bag 10)	52
15	844 057 002BG	5/16-18 Stover Locknut (Bag 10)	55
48	844 057 002BG	Nut Stvr Lk-5/16-18 (Bag 10)	58
50	844 057 002BG	Nut Stvr Lk-5/16-18 (Bag 10)	59
23	844 057 002BG	5/16-18 Stover Locknut (Bag 10)	60
48	844 057 002BG	5/16-18 Stover Locknut (Bag 10)	61
38	844 057 002BG	5/16-18 Stover Locknut (Bag 10)	68
38	844 057 002BG	5/16-18 Stover Locknut (Bag 10)	68
31	844 057 002BG	5/16-18 Stover Locknut (Bag 10)	86

ITEM#	PART#	DESCRIPTION	PAGE#
46	844 057 002BG	5/16-18 Stover Locknut (Bag 10)	22-23
55	844 057 002BG	5/16-18 Stover Locknut (Bag 10)	42-43
49	844 057 002BG	5/16-18 Stover Locknut (Bag 10)	44-45
46	844 057 002BG	5/16-18 Stover Locknut (Bag 10)	66-67
38	844 057 002BG	5/16-18 Stover Locknut (Bag 10)	82-83
68	844 057 002BG	5/16-18 Stover Locknut (Bag 10)	90-91
118	844 057 002BG	Nut Strv Lk-5/16-18 (Bag 10)	94-95
49	844 058 002BG	Nut-Strv-Lk 5/16-24 (Bag 10)	58
51	844 058 002BG	Nut-Strv-Lk 5/16-24 (Bag 10)	59
32	844 065 002BG	Nut-Strv 3/8-16 (Bag 10)	86
47	844 065 002BG	3/8-16 Stover Lock Nut (Bag 10)	22-23
63	844 065 002BG	Nut-Strv 3/8-16 (Bag 10)	34-35
39	844 065 002BG	Nut-Strv 3/8-16 (Bag 10)	82-83
24	844 065 002BG	Nut-Strv 3/8-16 (Bag 10)	92-93
20	844 069 002BG	Nut-Strv-Lk 7/16-14 (Bag 10)	25
37	844 069 002BG	Nut-Strv-Lk 7/16-14 (Bag 10)	25
63	844 069 002BG	Nut-Strv-Lk 7/16-14 (Bag 10)	52
20	844 070 002BG	7/16-20 Stover Lock Nut (Bag 10)	24
69	844 070 002BG	Nut-Strv-Lk 7/16-20 (Bag 10)	90-91
21	844 073 002BG	1/2-13 Stover Locknut (Bag 10)	24
64	844 073 002BG	1/2-13 Stover Locknut (Bag 10)	52
48	844 073 002BG	1/2-13 Stover Locknut (Bag 10)	22-23
38	844 073 002BG	1/2-13 Stover Locknut	30-31
65	844 073 002BG	Nut-Strv-Lk 1/2-13 (Bag 10)	72-73
119	844 073 002BG	Nut-Strv-Lk 1/2-13 (Bag 10)	94-95
52	844 074 002BG	Nut-Strv-Lk 1/2-20 (Bag 10)	59
31	844 081 002BG	Nut-Strv-Lk 5/8-11 (Bag 10)	50
75	845 100 000BG	Nut-Lock-Bearing N-10 (Bag 10)	84-85
15	846 100 000	Nut Kl 1/2 Cndut Tb141	10
76	856 070 002BG	Nut-Flanged 7/16-20 (Bag 10)	84-85
120	856 070 002BG	Nut-Flanged 7/16-20 (Bag 10)	94-95
39	880 139 120BG	Screw-Shld 1/4 X 3/8	30-31
49	880 239 140BG	Screw1/4X1/2Lg.ShoulderBolt(Bag10)	22-23
40	900 104 071BG	Brg Sl Bz .253X7/16 (Bag 5)	30-31
73	900 106 081BG	Brg Sl .378 X .503 X 1/2 (Bag 5)	74-75
121	900 108 081	Bearing Sl Bz .503 X 1/2 Lg	94-95
49	900 108 141	Bearing Sl .503 X 7/8	61
12	900 110 081BG	Bearing Sl .628 X .878 X 1/2 (Bag 10)	87
15	900 110 081BG	Bearing Sl .628 X .878 X 1/2 (Bag 5)	88
122	900 110 081BG	Brg Sl .628 X .878 X 1/2 (Bag 5)	94-95
77	900 110 121BG	Brg Sl .628 X 3/4 Lg (Bag 5)	84-85
22	900 110 141BG	Bearing Sl (Bag 10)	24
123	900 110 141BG	Brg Sl .628 X .878 X 7/8 (Bag 5)	94-95
124	900 110 161BG	Bushing .625 X .857 X 1.0 (Bag 5)	94-95
10	900 112 121	Bearing Sl .753 X 3/4 Lg	89
125	900 112 121	Bearing Sl .753 X 3/4 Lg	94-95
78	900 112 161BG	Brg Sl .753 X 1 (Bag 5)	84-85
50	900 112 203BG	Brg Sl.753 X 1 X 1 1/4-Brnz (Bag 5)	58
53	900 112 203BG	Brg Sl .753 X 1 X 1 1/4-Brnz (Bag 5)	59
79	900 112 203BG	Brg Sl .753 X 1 x 1 1/4-Brnz (Bag 5)	84-85
126	900 112 203BG	Brg Sl .753 X 1 X 1 1/4-Brnz (Bag 5)	94-95
64	900 114 101BG	Bearing Sl .877 X 1.128 X 5/8 (Bag 10)	34-35
65	900 204 121BG	Brg Fl.25X.378X3/4Lg (Bag 5)	38-39
45	900 205 053BG	Bearing Fl .315 X .44 X 5/16 (Bag 5)	18-19
41	900 205 053BG	Bearing Fl .315 X .44 X 5/16	30-31
50	900 205 053BG	Bearing Fl .315 X .44 X 5/16 (Bag 10)	44-45
70	900 205 081BG	Bearing Fl .315 X .44 X 1/2 Lg (Bag 5)	90-91
80	900 206 081BG	Brg Fl .378 X .688 X 1/2 (Bag 5)	84-85
65	900 206 091BG	Bearing Fl .(562 X .688 X .378) (Bag 10)	34-35
74	900 206 091Bg	Brg Fl .378 X .503 X 9/16 (Bag 5)	74-75
71	900 208 091BG	Brg Fl .503 X .690 X 9/16 (Bag 5)	90-91
13	900 208 120	Bearing-Flange	87
50	900 208 161BG	Bearing Fl .503 X .875 X 1 (Bag 5)	61

ITEM#	PART#	DESCRIPTION	PAGE#
11	900 208 161BG	Bearing Fl .503 X .875 X 1 (Bag 5)	89
81	900 208 161Bg	Brg Fl .503 X .875 (Bag 5)	84-85
16	900 210 101BG	Bearing Fl Bz .628 X 5/8 (Bag 5)	88
33	900 210 161BG	Bearing Fl Bz .628 X 1 (Bag 5)	86
66	900 210 161BG	Brg Fl Bz .628 X 1 (Bag 5)	38-39
82	900 212 161Bg	Brg Fl .753 X 1.003 X 1 (Bag 5)	84-85
25	900 212 161BG	Bearing Fl .753 X 1.003 X 1 (Bag 5)	92-93
72	900 212 201BG	Bearing Fl .753 X 1 X 1.25 (Bag 5)	90-91
127	900 212 201BG	Brg Fl .753 X 1 X 1.25 (Bag 5)	94-95
75	907 000 100BG	Key-Hy Pro #403 (Bag 10)	74-75
67	907 000 200BG	Key-Hy Pro* 404 (Bag 10)	38-39
26	907 000 200BG	Key-Hy Pro 404 (Bag 10)	92-93
66	907 000 600BG	Key-Hy Pro 706 (Bag 10)	34-35
51	907 000 600BG	Key-Hy Pro 706 (Bag 10)	44-45
50	907 000 900BG	Key-Hy Pro 910 (Bag 10)	22-23
73	907 000 900BG	Key-Hy Pro 910 (Bag 10)	90-91
128	907 000 900BG	Key-Hy Pro #910 (Bag 10)	94-95
42	912 137 200BG	Pin-Grv 3/16X1 1/4T3 (Bag 10)	30-31
39	913 411 100BG	Pin-Sprng .078 X 5/8 (Bag 10)	68
39	913 411 100BG	Pin-Sprng .078 X 5/8 (Bag 10)	68
66	913 415 090BG	Pin Spring .094 X 9/16 (Bag 10)	72-73
68	913 415 100BG	Pin-Sprng .094 X 5/8 (Bag 10)	38-39
69	913 415 100BG	Pin-Sprng .094 X 5/8 (Bag 10)	38-39
43	913 415 120BG	Pin-Sprng.094 X 3/4 (Bag 10)	30-31
12	913 423 120BG	Pin Spring .125 X 3/4 (Bag 10)	79
44	913 423 120BG	Pin-Sprng.125 X 3/4 (Bag 10)	30-31
56	913 423 160BG	Pin Spring .125 X 1 (Bag 10)	42-43
47	913 431 160BG	Pin-Sprng .156 X 1 (Bag 10)	66-67
35	913 437 100BG	Pin-Sprng .187 X 5/8 (Bag 10)	46-47
39	913 437 100BG	Pin-Sprng .187 X 5/8 (Bag 10)	48-49
13	913 437 120BG	Pin Spring .187 X 3/4 (Bag 10)	79
67	913 437 140BG	Pin-Spring .187 X 7/8 (Bag 10)	72-73
76	913 437 140BG	Pin Spring .187 X 7/8 (Bag 10)	74-75
51	913 437 160BG	Pin-Spring .187 X 1 (Bag 10)	61
129	913 437 200	Pin-Spring .187 X 1 1/4	94-95
52	913 437 240BG	Pin-Sprng .187 X 1 1/2 (Bag 10)	44-45
48	913 437 240BG	Pin-Sprng .187 X 1 1/2 (Bag 10)	66-67
70	913 448 120BG	Pin-Sprng.250 X 3/4 (Bag 10)	38-39
74	913 448 120BG	Pin-Sprng .250 X 3/4 (Bag 10)	90-91
77	913 464 280BG	Pin Spring .375 X 1 3/4 (Bag 10)	74-75
23	913 464 360BG	Pin-Sprng .375 X 2 1/4 (Bag 10)	24
71	913 464 400BG	Pin-Sprng .375 X 2 1/2 (Bag 10)	38-39
68	914 037 206BG	Spirol Pin 3/16 X 1 1/4 (Bag 10)	72-73
72	916 931 256	Resistor 20w 1.25K	6-7
73	916 931 256	Resistor 20w 1.25K	8-9
45	919 000 600BG	Ring-Ret. 5000-137	30-31
69	919 000 600BG	Ring-Ret. 5000-137 (Bag 10)	72-73
27	919 000 600BG	Ring-Ret. 5000-137 (Bag 10)	92-93
32	919 000 700BG	Ring - Ret (Bag 10)	50
53	919 000 700BG	Retaining Ring (Bag 10)	44-45
70	919 004 200BG	Ring-Ret. 5008-212 (Bag 10)	72-73
78	919 005 000BG	Ring Ret. 5100-25 (Bag 10)	74-75
83	919 005 200Bg	Ring-Ret. 5100-31 (Bag 10)	84-85
75	919 005 200BG	Ring-Ret. 5100-31 (Bag 10)	90-91
28	919 005 200BG	Ring-Ret. 5100-31 (Bag 10)	92-93
71	919 005 300BG	Ring-Ret. 5100-37 (Bag 10)	72-73
76	919 005 300BG	Ring-Ret. 5100-37 (Bag 10)	90-91
54	919 005 400BG	Ring-Ret. 5100-43 (Bag 10)	59
14	919 005 500BG	Ring-Ret. 5100-50 (Bag 10)	87
77	919 005 500BG	Ring-Ret. 5100-50 (Bag 10)	90-91
15	919 005 600BG	Ring-Ret. 5100-62 (Bag 10)	87
17	919 005 600BG	Ring-Ret. 5100-62 (Bag 10)	88
72	919 005 600BG	Ring-Ret. 5100-62 (Bag 10)	72-73

# PARTS INDEX - CONTINUED

ITEM#	PART#	DESCRIPTION	PAGE#
84	919 005 600BG	Ring-Ret. 5100-62 (Bag 10)	84-85
130	919 005 600BG	Ring-Ret. 5100-62 (Bag 10)	94-95
51	919 005 800BG	Ring-Ret. 5100-75 (Bag 10)	58
55	919 005 800BG	Ring-Ret. 5100-75 (Bag 10)	59
12	919 005 800BG	Ring-Ret. 5100-75 (Bag 10)	89
85	919 005 800BG	Ring-Ret. 5100-75 (Bag 10)	84-85
29	919 005 800BG	Ring-Ret. 5100-75 (Bag 10)	92-93
131	919 005 800BG	Ring-Ret. 5100-75 (Bag 10)	94-95
16	919 005 900BG	Ring-Ret. 5100-87 (Bag 10)	87
79	919 006 800BG	Ring Ret. 5115-37 (Bag 10)	74-75
40	919 010 200BG	Ring-Ret. 5133-25 (Bag 10)	48-49
65	919 010 700BG	Ring-Ret. 5133-62 (Bag 10)	52
36	933 623 050	Rvt-Semi Tublr Stl	46-47
41	933 623 050	Rvt-Semi Tublr Stl	48-49
52	937 000 000BG	Rivet Drive 1/4 X 11/32 (Bag 10)	58
56	937 000 000BG	Rivet Drive 1/4 X 11/32 (Bag 10)	59
57	937 710 005	Aluminum Drive Rivet	59
16	938 637 100BG	Pop Rvt 3/16 Al Dme Hd (Bag 10)	55
16	940 372 000	Sleeving-Exp 1/2 Dia (Order 6 Ft.)	10
58	941 072 200BG	Wshr-1/2 X 1-1/4 X .083 (Bag 10)	59
49	945 091 242	Washer-1 X 1 1/2	66-67
33	945 867 242BG	Washer-13/32X1 1/2 (Bag 10)	50
132	946 400 002BG	Wshr-25/64 X 23/32 (Bag 10)	94-95
67	948 631 062	Washer #6 Sae Flat Washer	34-35
61	948 637 072BG	Wshr- 3/16X7/16X3/64 (Bag 10)	14-15
17	948 722 111BG	Washer-Pl 11/32 Bl Oxide (Bag 10)	55
24	948 745 082BG	Washer- 7/32 X 1/2 X 1/16 (Bag 10)	28-29
73	948 745 082BG	Wshr- 7/32 X 1/2 X 1/16 (Bag 10)	72-73
24	948 753 102BG	Washer-9/32 X 5/8 X 1/16 (Bag 10)	60
40	948 753 102BG	Washer 9/32 X 5/8 X 1/16 (Bag 10)	68
40	948 753 102BG	Washer 9/32 X 5/8 X 1/16 (Bag 10)	68
68	948 753 102BG	Washer-9/32 X 5/8 X 1/16 (Bag 10)	34-35
74	948 753 102BG	Washer 9/32 X 5/8 X 1/16 (Bag 10)	72-73
66	948 761 112BG	5/16 Wrought Washer (Bag 10)	52
18	948 761 112BG	5/16 Wrought Washer (Bag 10)	55
41	948 761 112BG	5/16 Wrought Washer (Bag 10)	68
41	948 761 112BG	5/16 Wrought Washer (Bag 10)	68
51	948 761 112BG	5/16 Washer (Bag 10)	22-23
54	948 761 112BG	5/16 Wrought Washer (Bag 10)	44-45
75	948 761 112BG	Washer 11/32 X 11/16 X 1/16 (Bag 10)	72-73
40	948 761 112BG	5/16 Wrought Washer (Bag 10)	82-83
86	948 761 112BG	Washer 11/32 X 11/16 X 1/16 (Bag 10)	84-85
78	948 761 112BG	5/16 Wrought Washer (Bag 10)	90-91
133	948 761 112BG	Washer 11/32 X 11/16 X 1/16 (Bag 10)	94-95
59	948 767 132BG	Washer Sae Flat (Bag 10)	59
34	948 767 132BG	Washer 13/32 X 13/16 X 1/16 (Bag 10)	86
41	948 767 132BG	Washer 13/32 X 13/16 X 1/16 (Bag 10)	82-83
79	948 767 132BG	Washer 13/32 X 13/16 X 1/16 (Bag 10)	90-91
30	948 767 132BG	Washer 13/32 X 13/16 X 1/16	92-93
31	948 964 142BG	Wash-Pln 3/8 X 7/8 X 3/32 (Bag 10)	92-93
13	948 975 172BG	1/2 Uss Wrought Washer Type A (Bag 10)	89
37	948 975 172BG	Spacer Steel (Bag 10)	46-47
42	948 975 172BG	Spacer Steel (Bag 10)	48-49
50	948 975 172BG	1/2 Uss Wrought Washer Type A (Bag 10)	66-67
76	948 975 172BG	Wshr-17/32 X 1 1/16 (Bag 10)	72-73
134	948 975 172BG	Wshr-17/32 X 1 1/16 (Bag 10)	94-95
87	948 983 212BG	Wshr-21/32 X 1 5/16 (Bag 10)	84-85
135	948 983 212BG	Wshr-21/32 X 1 5/16 (Bag 10)	94-95
21	949 100 002BG	Washer-59/64 X 15/32 (Bag 10)	25
38	949 100 002BG	Washer-59/64 X 15/32 (Bag 10)	25
34	949 100 002BG	Washer-59/64X15/32 (Bag 10)	50
67	949 100 002BG	Washer-59/64 X 15/32 (Bag 10)	52
80	949 100 002BG	Washer 59/64 X 15/32 (Bag 10)	90-91

ITEM#	PART#	DESCRIPTION	PAGE#
	950 001 008	Spacer	84-85
18	951 020 000BG	Wshr-Lk-Split # 4 (Bag 10)	12-13
52	951 020 000BG	Wshr-Lk-Split # 4 (Bag 10)	16-17
38	951 138 000BG	Wshr-Lk-Split # 10 (Bag 10)	46-47
43	951 138 000BG	Washer-Lk-Split # 10 (Bag 10)	48-49
51	951 148 002BG	1/4" Split Lockwasher Med Pltd (Bag10)	66-67
60	951 164 002BG	Wshr-Lk-Split 3/8 (Bag 10)	59
35	951 164 002BG	Washer-Lk-Split 3/8 (Bag 10)	86
52	951 164 002BG	Washer-Lk-Split 3/8 (Bag 10)	66-67
88	951 164 002BG	Wshr-Lk-Split 3/8 (Bag 10)	84-85
72	957 000 002	#6 Ext Star Lockwasher	38-39
69	957 100 002BG	#10 Ext Tooth Lockwasher. Pltd (Bag 10)	34-35
80	957 100 002BG	Washer Shockproof (Bag 10)	74-75
36	958 584 002	Washer-Shkprf	86
44	963 100 002BG	Washer-X 3/32 9000-6 (Bag 10)	48-49
15	963 200 002	Washer-X 1/8 9000-8	27
46	963 200 002BG	Washer-X 1/8 9000-8 (Bag 10)	18-19
25	963 200 002BG	Washer-X 1/8 9000-8 (Bag 10)	28-29
57	963 200 002BG	Washer-X 1/8 (Bag 10)	42-43
39	963 200 002BG	Washer-X 1/8 9000-8 (Bag 10)	46-47
45	963 200 002BG	Washer-X 1/8 9000-8 (Bag 10)	48-49
46	963 300 002BG	Wshr-X 5/32 9000-10 (Bag 10)	30-31
35	963 400 002BG	Washer-X 3/16 9000-12 (Bag 10)	50
58	963 400 002BG	Washer-X 3/16 (Bag 10)	42-43
40	963 400 002BG	Washer-X 3/16 9000-12 (Bag 10)	46-47
61	963 600 002BG	Wshr-X 1/4 9000-16 (Bag 10)	59
52	963 600 002BG	Washer-X 1/4 9000-16 (Bag 10)	61
14	963 600 002BG	Washer-X 1/4 9000-16 (Bag 10)	89
53	963 600 002BG	Washer-X 1/4 9000-16 (Bag 10)	66-67
136	963 600 002BG	Wshr-X 1/4 9000-16 Bag(10)	94-95
	B158100	pin fork	45







**WORLDWIDE HEADQUARTERS**

8100 AMF Drive - Mechanicsville, VA 23111 - USA - Tel. (804) 569-1000 - Fax: (804) 559-8650 - Toll free 1-866-460-QAMF (7263)

**EUROPEAN HEADQUARTERS**

Via della Croce Coperta, 15 - 40128 Bologna - Italy - Tel.+39 051.4192.611 - Fax +39 051.4192.602

**[www.qubicaamf.com](http://www.qubicaamf.com) - [info@qubicaamf.com](mailto:info@qubicaamf.com)**

