

TERMINAL "P" BOX ASSY.

| <u>ITEM</u> | <u>PART NO.</u> | <u>DESCRIPTION</u> | <u>ITEM</u> | <u>PART NO.</u> | <u>DESCRIPTION</u> |
|-------------|-----------------|----------------------------------|-------------|-----------------|---------------------|
| 1 | 030 005 096 | TERMINAL BOX | 9 | 741 105 005 | COVER, BLANK |
| 2 | 030 006 104 | TERMINAL Box Assy. | 10 b | 746 001 016 | CONNECTOR, STRAIGHT |
| 3 | 030 007 184 | CABLE Assy., TABLE | 11 | 746 002 007 | CONNECTOR, 45° |
| 4 | 030 007 185 | "P" Box Assy. | 12 | 746 010 025 | TUBLET |
| 5 | 030 007 807 | CONDUIT, L.H. | 13 | 746 011 026 | NIPPLE |
| 6 | 030 007 814 | CONDUIT, R.H. | 14 b | 760 001 070 | TERMINAL ADAPTER |
| 7 | 030 008 479 | MASK HARNESS | 15 b | 760 010 073 | TERMINAL |
| 8 b | 000 029 301 | SILICON RECTIFIER (NOT SHOWN) | 16 | 770 014 015 | ADAPTER SPLIT RING |

b REFER TO PRICE LIST FOR MINIMUM ORDER QUANTITY AND PRICE.

A - FRAME

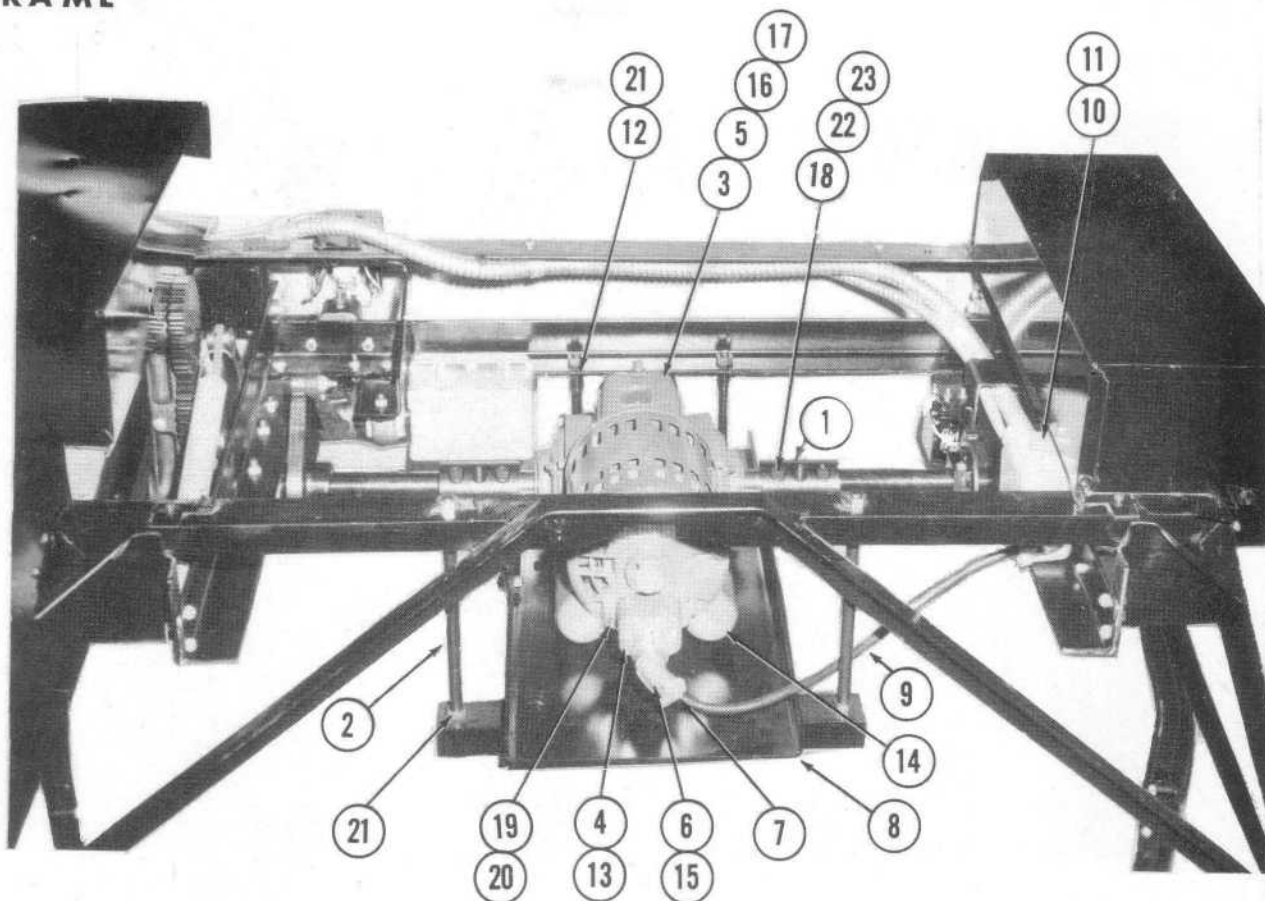
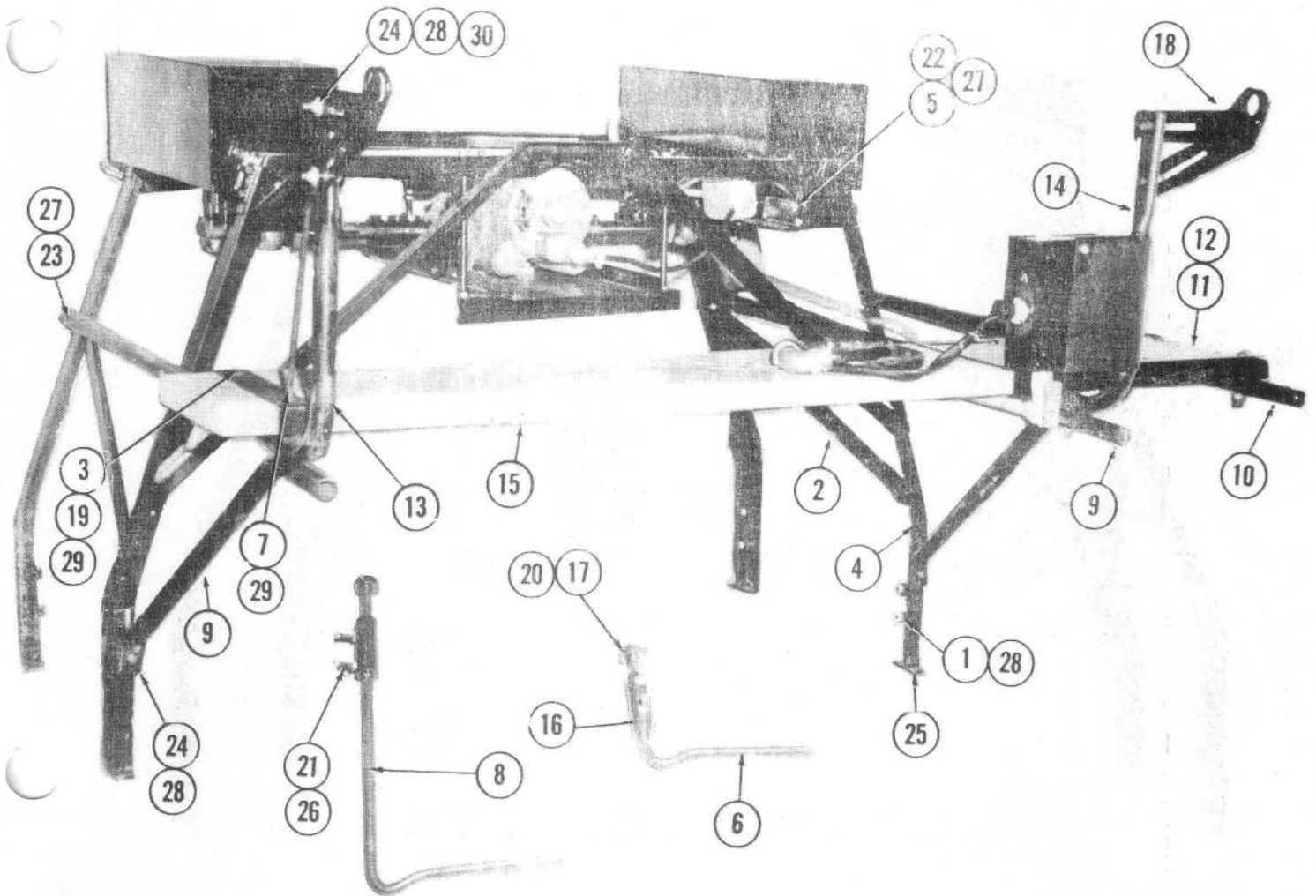


TABLE DRIVE - BACK END CHASSIS

| <u>ITEM</u> | <u>PART NO.</u> | <u>DESCRIPTION</u> | <u>ITEM</u> | <u>PART NO.</u> | <u>DESCRIPTION</u> |
|-------------|-----------------|---|-------------|-----------------|---------------------------------------|
| 1 | 030 003 257 | COUPLING | 12 | 030 007 907 | STUD, SHORT |
| 2 | 030 005 108 | STUD, LONG | 13 | 000 025 590 | MALE RECEPTACLE HOUSING |
| 3 | 030 005 902 | COMB. MOTOR ASSY. (WITH MALE RECEPTACLE) | 14 | 743 000 020 | CAPACITOR (NOT SHOWN) |
| 4 | 030 005 905 | MALE RECEPTACLE | 15 b | 760 015 038 | TERMINAL, SPADE |
| 5 | 030 006 510 | COMB. MOTOR (LESS MALE PLUG ASSY.) | 16 | 785 501 193 | CENTRIFUGAL MECHANISM (NOT SHOWN) |
| 6 | 030 006 527 | RECEPTACLE, FEMALE STRAIGHT | 17 | 785 501 373 | CENTRIFUGAL SWITCH (NOT SHOWN) |
| 7 | 030 006 779 | 90° CONNECTOR FOR 030 006 527 | 18 b | 810 266 200 | SCREW, SOO. HD. CAP 3/8-24 X 1 1/4 |
| 8 | 030 006 903 | MOTOR MOUNTING PLATE | 19 b | 813 227 082 | SCREW, HSG. (LONG) 6-32X 1/2 |
| 9 | 030 007 836 | TABLE MOTOR CABLE PLUG ASSY. | 20 b | 828 527 042 | SCREW, RECEPTACLE MTG. 6-32 X 1/4 |
| 10 | 030 007 841 | "H" Box Assy. R.H. | 21 b | 835 574 002 | JAM NUT 1/2-20 |
| 11 | 030 007 845 | "H" Box Assy. L.H. | 22 b | 907 000 900 | KEY (NOT SHOWN) |
| | | | 23 b | 951 164 002 | LOCK WASHER 3/8 |

b REFER TO PRICE LIST FOR MINIMUM ORDER QUANTITY AND PRICE.

A - FRAME

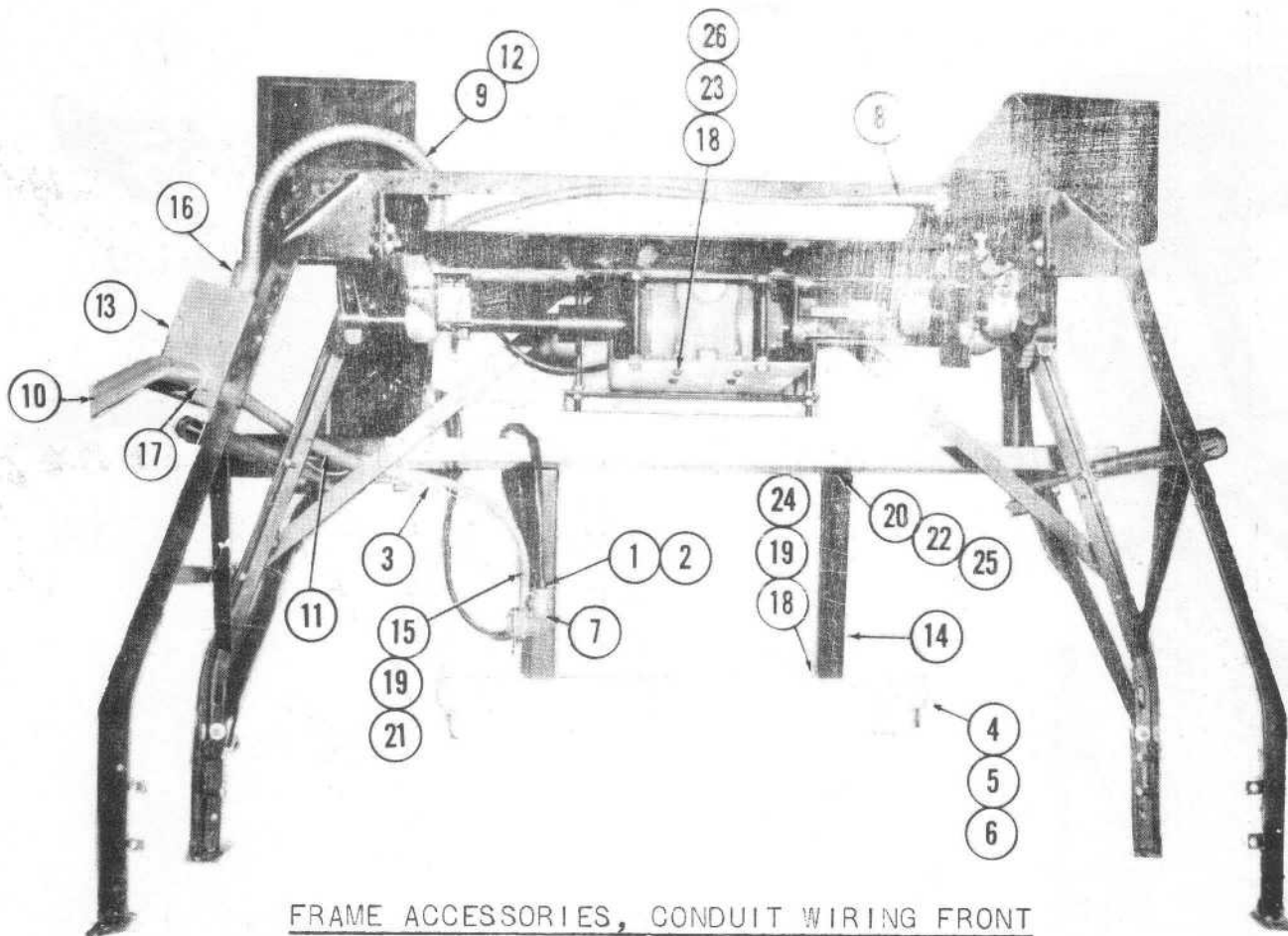


FRAME - TABLE DRIVE & ACCESSORIES

| <u>ITEM</u> | <u>PART NO.</u> | <u>DESCRIPTION</u> | <u>ITEM</u> | <u>PART NO.</u> | <u>DESCRIPTION</u> |
|-------------|-----------------|-------------------------------|-------------|-----------------|--|
| 1 | 030 002 877 | SPACER | 18 | 000 028 176 | SUPPORT BRACKET |
| 2 | 030 005 038 | BRACE | 19 b | 801 265 560 | CARRIAGE BOLT |
| 3 | 030 005 079 | TIE STRAP | 20 b | 807 250 080 | SET SCREW, SOC. HD. 1/4-28 X 1/2 |
| 4 | 030 005 102 | "A" FRAME FRONT | 21 b | 810 250 160 | SCREW, SOC. HD. CAP 1/4-28 X 1 |
| 5 | 030 005 106 | "H" FRAME | 22 b | 810 258 140 | SCREW, SOC. HD. CAP 5/16-24 X 7/8 |
| 6 | 030 005 501 | ADJUSTING ROD, SHORT | 23 b | 810 258 360 | SCREW, SOC. HD. CAP 5/16-24 X 2 1/4 |
| 7 | 030 005 523 | SUPPORT BRACE | 24 b | 810 266 280 | SCREW, SOC. HD. CAP 3/8-24 X 1 3/4 |
| 8 | 030 005 527 | ADJUSTING ROD, LONG | 25 b | 810 564 320 | SCREW, LAG 3/8 X 2 |
| 9 | 030 005 806 | SUPPT. BRACE L.H. & R.H. | 26 b | 835 550 002 | NUT, JAM 1/4-28 |
| 10 | 030 005 807 | MASK SUPPT. TUBE, STRAIGHT | 27 | 839 758 002 | LOCKNUT 5/16-24 |
| 11 | 030 005 845 | TIE PLATE LONG | 28 b | 844 066 002 | LOCKNUT 3/8-24 |
| 12 | 030 005 846 | TIE PLATE SHORT | 29 b | 844 087 002 | LOCKNUT 3/4-16 |
| 13 | 030 006 153 | MASK SUPPT. TUBE L H. | 30 b | 949 100 002 | WASHER, PLAIN 15/32 X 59/64 X 1/16 |
| 14 | 030 006 181 | MASK SUPPT. TUBE R H. | | | |
| 15 | 030 008 184 | PLANK | | | |
| 16 | 000 025 037 | INSERT | | | |
| 17 | 000 025 039 | COLLAR | | | |

b REFER TO PRICE LIST OR MINIMUM ORDER QUANTITY AND PRICE.

A - FRAME



FRAME ACCESSORIES, CONDUIT WIRING FRONT

| <u>ITEM</u> | <u>PART NO.</u> | <u>DESCRIPTION</u> | <u>ITEM</u> | <u>PART NO.</u> | <u>DESCRIPTION</u> |
|-------------|-----------------|-----------------------------------|-------------|-----------------|---|
| 1 | 030 004 708 | CABLE CLAMP | 16 | 746 001 013 | CONNECTOR |
| 2 | 030 004 716 | ANGLE PLUG | 17 | 746 001 020 | CONNECTOR |
| 3 | 030 005 652 | FLEX CONDUIT | 18 b | 808 558 200 | SCREW, BUTTON Hd. Soc. 5/16-24 X 1 1/4 |
| 4 | 030 006 690 | PIT LIGHT & MTE. BRACKET ASSY. | 19 b | 810 233 080 | SCREW, Soc. Hd. CAP 8-32 X 1/2 |
| 5 | 030 006 691 | PIT LIGHT ASSY. | 20 b | 812 849 362 | SCREW, RD. Hd. 1/4-20 X 2 1/4 |
| 6 | 030 006 692 | FIXTURE & REFLECTOR ASSY. | 21 b | 840 033 002 | LOCKNUT 8-32 |
| 7 | 030 007 184 | TABLE CABLE ASSY. | 22 b | 844 049 002 | LOCKNUT 1/4-20 |
| 8 | 030 007 803 | FLEX CONDUIT | 23 b | 844 058 002 | LOCKNUT 5/16-24 |
| 9 | 030 007 805 | FLEX CONDUIT L.H. | 24 b | 948 637 072 | WASHER, FLAT 3/16 X 7/16 X .046-3/64 |
| 10 | 030 007 809 | CONDUIT | 25 b | 948 753 102 | WASHER, FLAT 9/32 X 5/8 X 1/16 |
| 11 | 030 007 814 | CONDUIT | 26 b | 948 761 112 | WASHER, FLAT 11/32 X 11/16 X 1/16 |
| 12 | 030 007 826 | FLEX CONDUIT R.H. | | | |
| 13 | 030 007 840 | "A" JUNCTION Box ASSY. | | | |
| 14 | 030 008 183 | SUPPORT STRAP | | | |
| 15 | 724 505 018 | CABLE CLAMP | | | |

b REFER TO PRICE LIST FOR MINIMUM ORDER QUANTITY AND PRICE.

A-FRAME

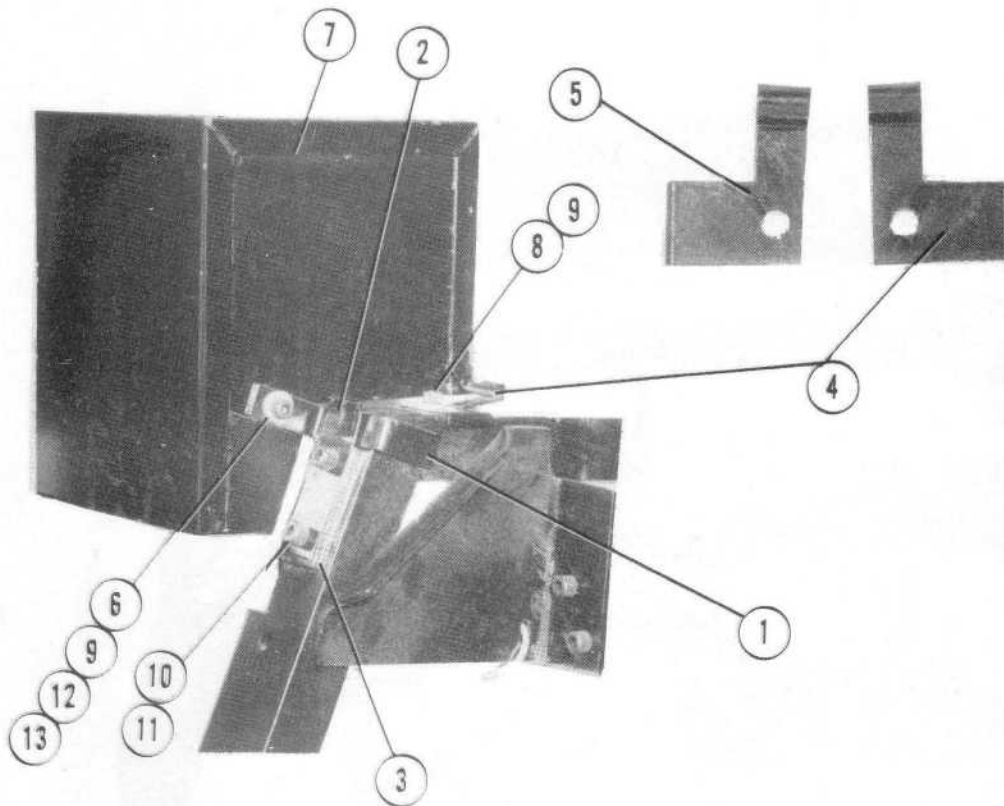


TABLE GEAR ASSY. GUARD

| <u>ITEM</u> | <u>PART NO.</u> | <u>DESCRIPTION</u> |
|-------------|-----------------|----------------------------------|
| 1 | 030 005 358 | LATCH |
| 2 b | 030 005 359 | LATCH RETAINER |
| 3 | 030 005 360 | SPACER |
| 4 b | 030 006 453 | CLIP R.H. |
| 5 b | 030 006 454 | CLIP L.H. |
| 6 b | 030 006 459 | SPACER, TUBE |
| 7 | 030 007 749 | GUARD |
| 8 b | 809 850 105 | SCREW SOC. HD. CAP 1/4-28 X 5/8 |
| 9 b | 810 250 080 | SCREW SOC. HD. CAP 1/4-28 X 1/2 |
| 10 b | 810 258 120 | SCREW SOC. HD. CAP 5/16-24 X 3/4 |
| 11 b | 831 558 002 | NUT, HEX 5/16-24 (NOT SHOWN) |
| 12 b | 835 550 002 | NUT, HEX 1/4-28 (NOT SHOWN) |
| 13 b | 948 753 102 | WASHER, PLAIN 9/32 X 5/8 X 1/16 |

b REFER TO PRICE LIST FOR MINIMUM ORDER QUANTITY AND PRICE.

A-FRAME

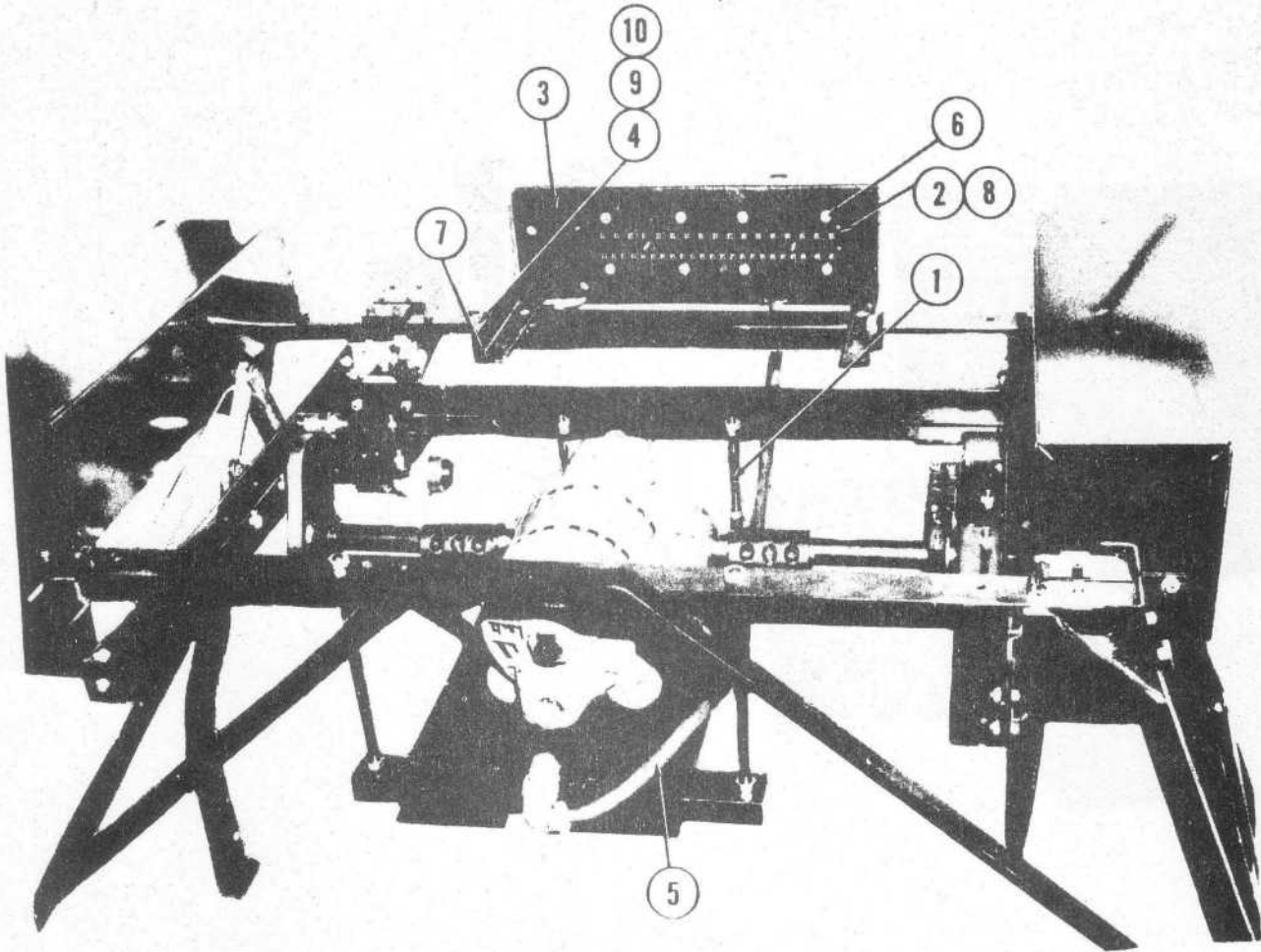
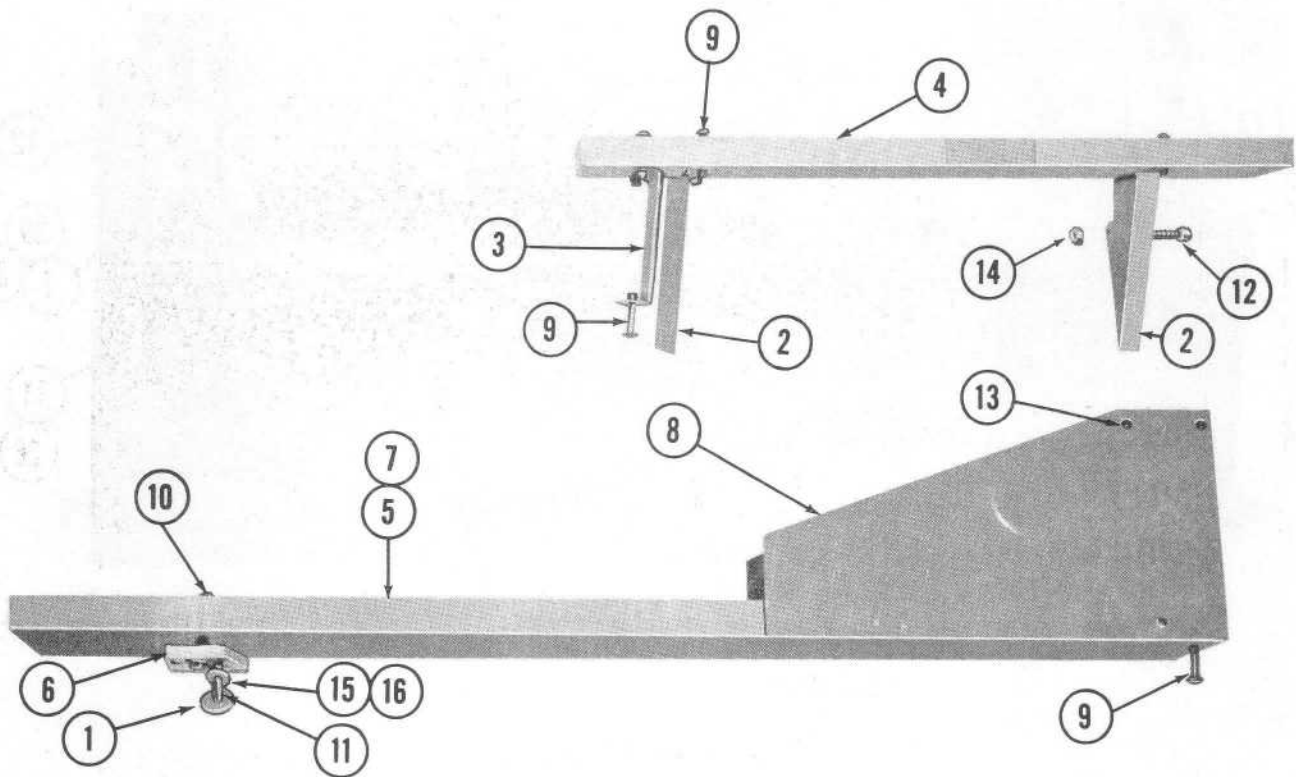


TABLE DRIVE FRONT END CHASSIS

| <u>ITEM</u> | <u>PART NO.</u> | <u>DESCRIPTION</u> |
|-------------|-----------------|--|
| 1 | 030 005 114 | STUD SHORT |
| 2 | 030 005 801 | TERMINAL BLOCK (PRIOR TO MACH. S.N. 33647) |
| 3 | 030 006 077 | "J" BOX & ANGLE ASSY. |
| 4 | 030 006 088 | CAMLOC FORK ASSY. |
| 5 | 030 006 528 | TABLE MOTOR CABLE ASSY. |
| 6 | 030 006 541 | TRUSS HD. FASTENER |
| 7 | 030 006 703 | ANGLE WELDMENT |
| 8 | 030 008 330 | TERMINAL BLOCK |
| 9b | 810 250 080 | SCREW, SOC. HD. CAP 1/4-28 X 1/2 |
| 10b | 951 148 002 | LOCK WASHER 1/4" |

b REFER TO PRICE LIST FOR MINIMUM ORDER QUANTITY AND PRICE

CAT-WALK

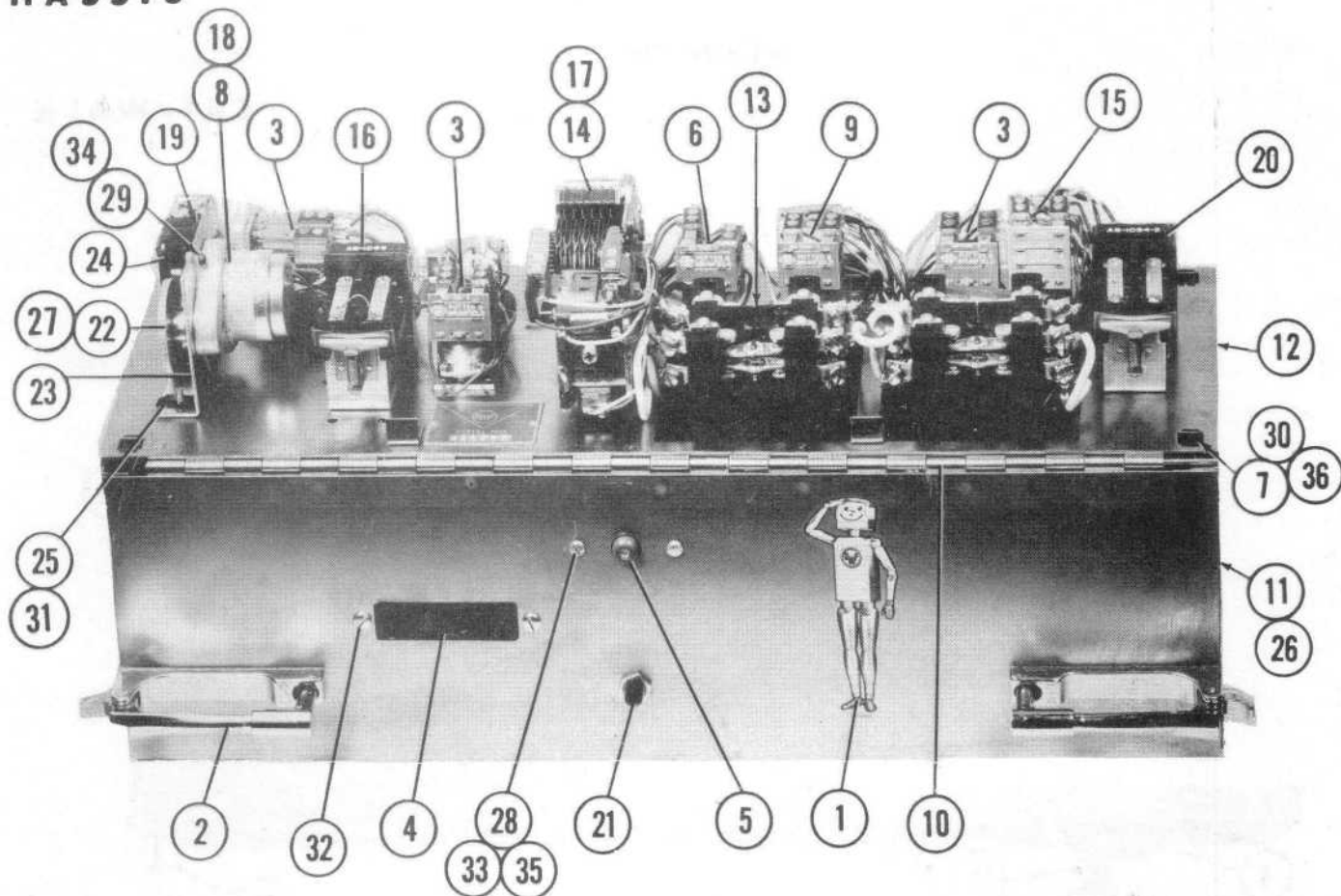


LONGITUDINAL WALK - FORE & AFT

| <u>ITEM</u> | <u>PART NO.</u> | <u>DESCRIPTION</u> |
|-------------|-----------------|---------------------------------------|
| 1 | 030 003 126 | SPACER |
| 2 | 030 003 128 | BRACKET |
| 3 | 030 003 129 | BRACKET |
| 4 | 030 003 130 | CATWALK |
| 5 | 030 003 132 | CATWALK, LOWER |
| 6 | 030 003 133 | SPACER |
| 7 | 030 003 135 | LONGITUDINAL CATWALK |
| 8 | 030 003 654 | GUARD |
| 9 b | 801 265 360 | CARRIAGE BOLT &Sq. NUT 3/8-16 X 2 1/4 |
| 10 b | 801 265 480 | CARRIAGE BOLT & Sq. NUT 3/8-16 X 3 |
| 11 b | 801 265 640 | CARRIAGE BOLT & Sq. NUT 3/8-16 X 4 |
| 12 b | 810 258 120 | SCREW, Soc. Hd. CAP 5/16-24 X 3/4 |
| 13 b | 815 647 322 | WOOD SCREW 1 1/4 X2 |
| 14 b | 839 758 002 | LOCKNUT 5/16-24 |
| 15 b | 949 100 002 | WASHER, PLAIN 15/32-59/64 X 1/16 |
| 16 b | 951 164 002 | WASHER, LOCK 3/8 MED. |

b REFER TO PRICE LIST FOR MINIMUM ORDER QUANTITY AND PRICE.

CHASSIS



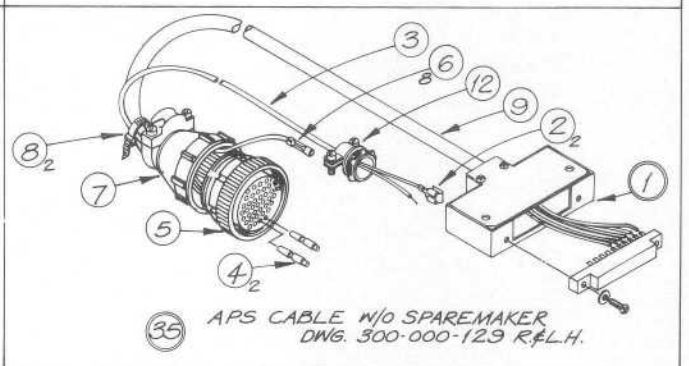
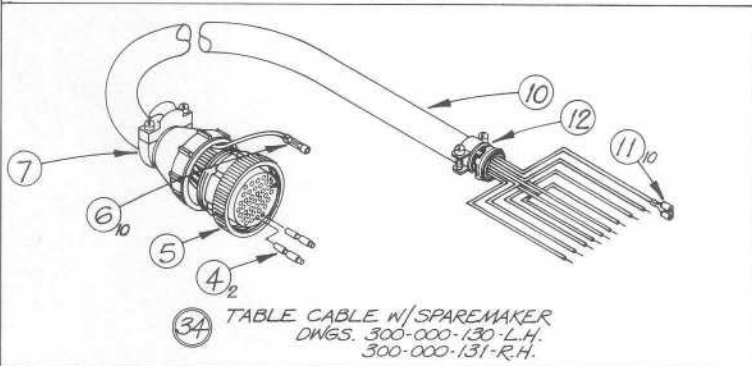
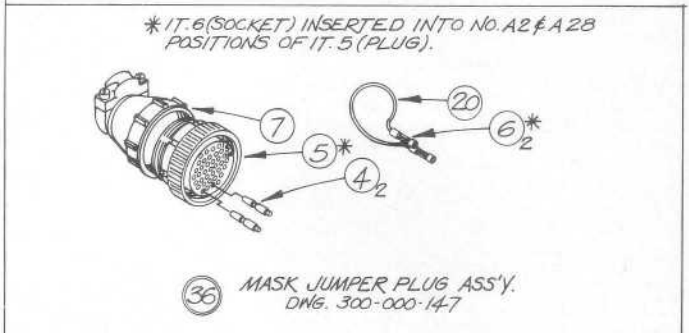
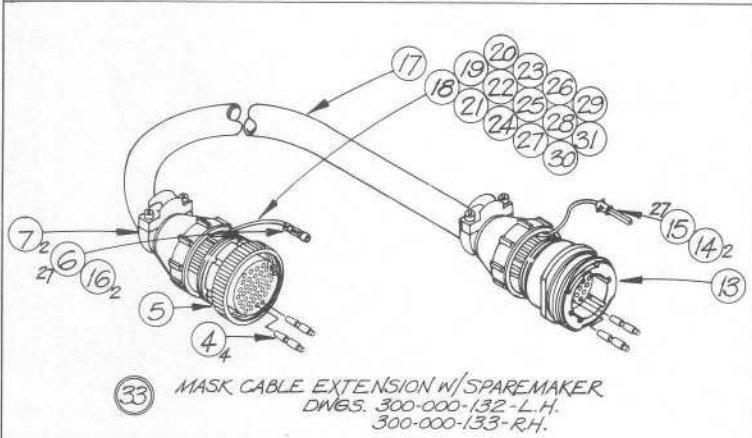
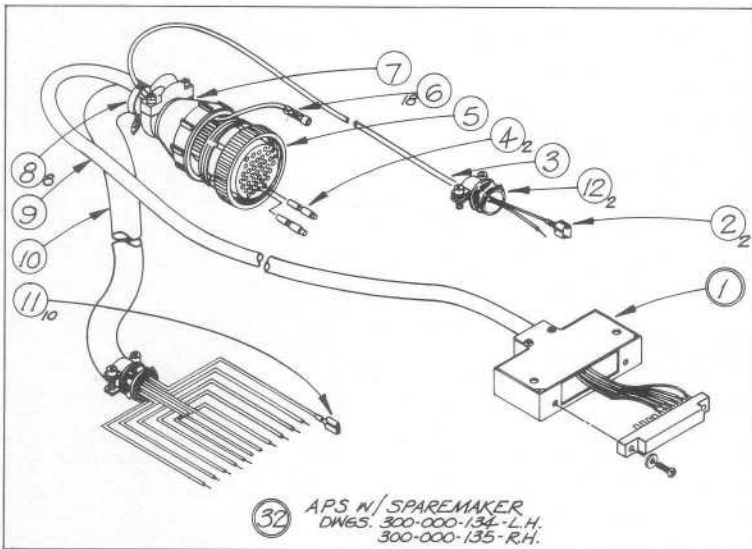
6525 CHASSIS ASSY.

| ITEM | PART NO. | DESCRIPTION | ITEM | PART NO. | DESCRIPTION |
|------|---------------|------------------------|------|---------------|--------------------------------------|
| 1 | 030 005 596 | DECAL | 20 | 000 025 863 | CR1 RELAY |
| 2 | 030 005 856 | CAM LOG HANDLE | 21 | b 000 025 865 | PLUNGER SWITCH |
| 3 | 030 005 862 | PR2 PR5 PR7 RELAYS | 22 | 000 025 876 | TIMER CAM |
| 4 | 030 005 866 | CIRCUIT BREAKER | 23 | 000 025 877 | BRACKET |
| 5 | 030 005 867 | KLIXON OVERLOAD | 24 | 000 025 879 | MICRO SWITCH |
| 6 | 030 005 870 | PR3 RELAY | 25 | 724 511 006 | SPEED NUT (c814-832-4) |
| 7 | b 030 005 872 | SPEED NUT & CLIP | 26 | 724 511 049 | SPEED NUT (c8105-832-27) |
| 8 | 030 005 878 | TIMER MOTOR | 27 | b 807 227 040 | SET SCREW, Soc. Hd. 6-32 X 1/4 |
| 9 | 030 005 886 | PR4 RELAY | 28 | b 811 727 102 | SCREW, SL. Hd. 6-32 X 5/8 |
| 10 | 030 006 213 | PIN HINGE BRASS | 29 | b 813 321 042 | SCREW, FILL. Hd. 4-40 X 1/2 |
| 11 | 030 006 520 | COVER CHASSIS WELD. | 30 | 813 340 122 | SCREW, PAN Hd. 10-32 X 3/4 |
| 12 | 030 006 522 | CHASSIS BOX WELDMENT | 31 | b 818 033 062 | SCREW, PAN Hd. 8-32 X 3/8 |
| 13 | 030 006 526 | CR2 CR3 RELAY | 32 | b 827 327 062 | SCREW, SLOTTED PAN Hd. 6-32 X 3/8 |
| 14 | 030 006 534 | STEPPER RELAY | 33 | 834 527 001 | KEP NUT |
| 15 | 030 006 717 | PR6 RELAY | 34 | b 834 621 000 | KEP NUT (4-40) |
| 16 | 030 007 568 | PR1 RELAY | 35 | b 948 631 062 | WASHER, PLAIN 5/32 X 3/8 X .046 |
| 17 | 030 007 763 | TRANSPARENT COVER | 36 | b 948 745 082 | WASHER, PLAIN 7/32 X 1/2 X 1/16 |
| 18 | 030 008 790 | TIMER MOTOR SUB. ASSY. | | | |
| 19 | b 000 022 296 | INSULATOR | | | |

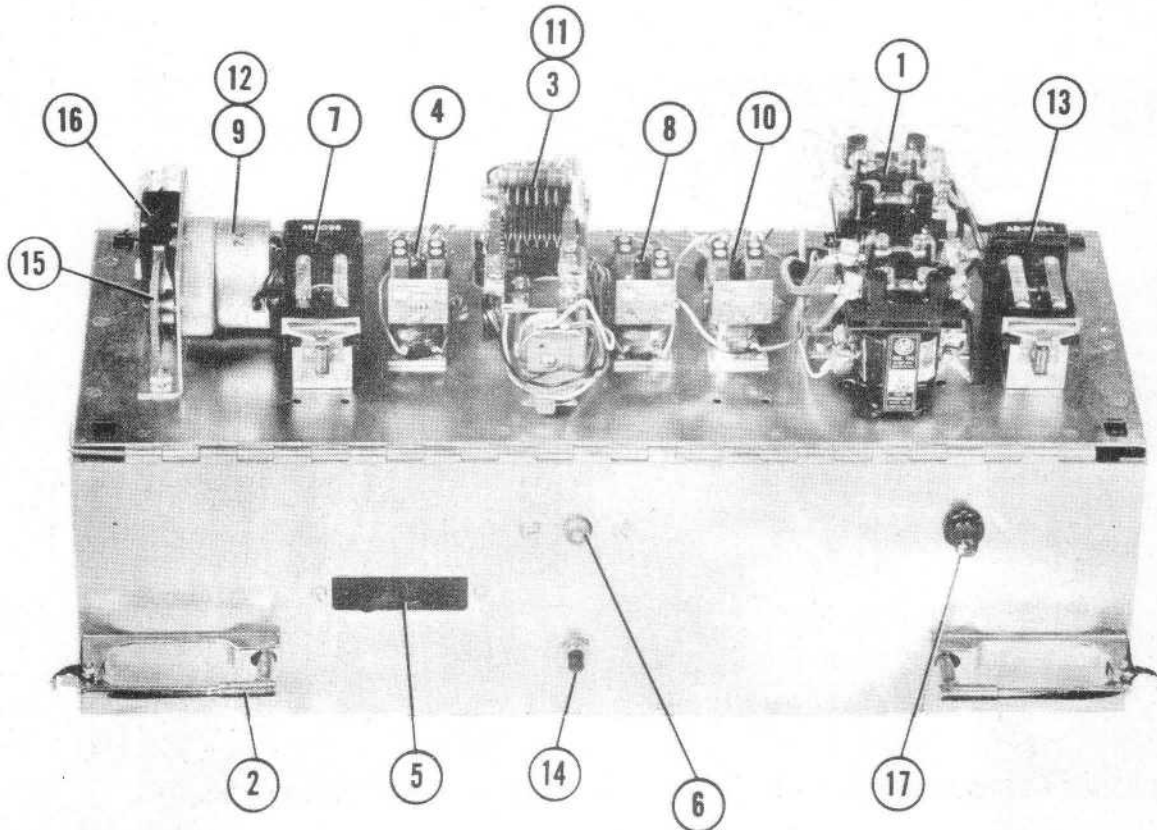
b REFER TO PRICE LIST FOR MINIMUM ORDER QUANTITY AND PRICE.

CABLE ASSEMBLIES
Reference Drawing 300 000 150

| <u>ITEM</u> | <u>PART NUMBER</u> | <u>DESCRIPTION</u> |
|-------------|--------------------|---|
| 1 | 070 009 818 | Kit - Sullins Conn. |
| 2 | 760 022 145 | Terminal - Tab Receptacle - AMP #62274 |
| 3 | 010 103 910 | Cable - 22 AWG. - 2 Conductor - Unshielded - 5'both |
| 4 | 753 800 001 | Keying Plug - AMP #200821-1 |
| 5 | 754 013 717 | Plug - AMP #206150-1 |
| 6 | 000 028 445 | Socket - AMP #66104-2 |
| 7 | 746 006 029 | Cable Clamp - AMP #206138-1 |
| 8 | 770 013 043 | Cable Tie - 4" Lg. |
| 9 | 010 105 610 | Cable - 22 AWG. - 6 Cond. - Shielded - 16'both |
| 10 | 010 107 310 | Cable - 22 AWG. - 10 Cond. - Unshielded 11.0'RH/15.5'LH |
| 11 | 760 017 045 | Terminal - Faston - AMP #41772 |
| 12 | 746 001 016 | Connector T & B - 3302 |
| 13 | 755 023 719 | Receptacle - AMP #206151-2 |
| 14 | 000 025 076 | Pin - AMP #66098-7 |
| 15 | 000 025 448 | Pin - AMP #66102-2 |
| 16 | 000 025 077 | Socket - AMP #66100-7 |
| 17 | 940 285 000 | Tubing - 3/4 Dia. |
| 18 | 010 100 300 | Wire - 22GA. - Black |
| 19 | 010 100 301 | Wire - 22GA. - Brown |
| 20 | 010 100 302 | Wire - 22GA. - Red |
| 21 | 010 100 303 | Wire - 22GA. - Orange |
| 22 | 010 100 304 | Wire - 22GA. - Yellow |
| 23 | 010 100 305 | Wire - 22GA. - Green |
| 24 | 010 100 306 | Wire - 22GA. - Blue |
| 25 | 010 100 307 | Wire - 22GA. - Purple |
| 26 | 010 100 309 | Wire - 22GA. - White |
| 27 | 010 100 311 | Wire - 22GA. - Tan |
| 28 | 010 100 312 | Wire - 22GA. - Pink |
| 29 | 010 101 300 | Wire - 16GA. - Black |
| 30 | 010 101 304 | Wire - 16GA. - Yellow |
| 31 | 010 101 308 | Wire - 16GA. - Gray |
| 32 | 300 000 134 | APS with Sparemaker (L.H.) |
| 32A | 300 000 135 | APS with Sparemaker (R.H.) |
| 33 | 300 000 132 | Mask cable extension with Sparemaker (L.H.) |
| 33A | 300 000 133 | Mask cable extension with Sparemaker (R.H.) |
| 34 | 300 000 130 | Table cable with Sparemaker (L.H.) |
| 34A | 300 000 131 | Table cable with Sparemaker (R.H.) |
| 35 | 300 000 129 | APS cable without Sparemaker (R. & L.H.) |
| 36 | 300 000 147 | Mask jumper plug assy. |



CABLE ASS'YS. - 82-3000
REF. DWG. 300-000-150

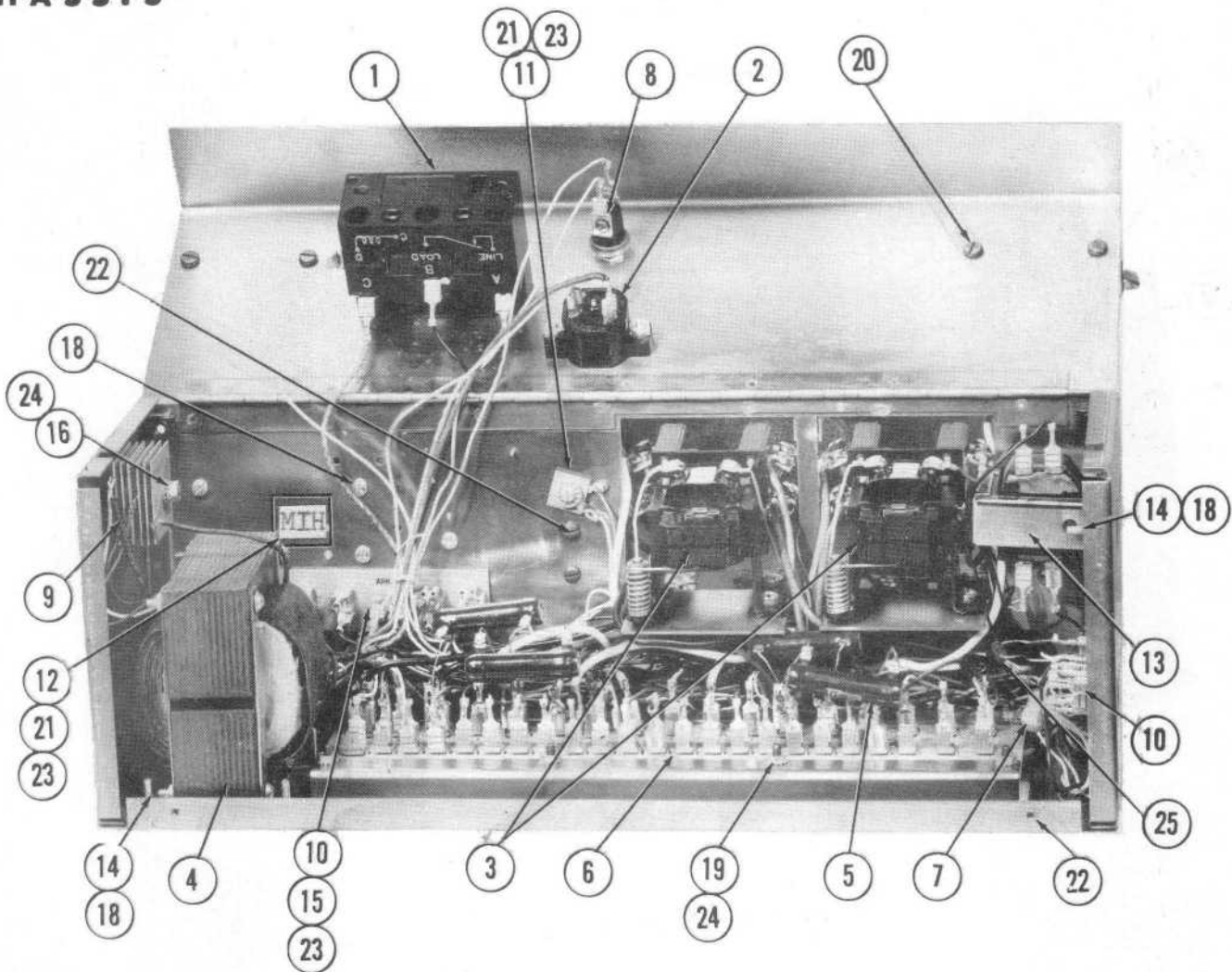


5850 CHASSIS ASSY.

| <u>ITEM</u> | <u>PART NO.</u> | <u>DESCRIPTION</u> |
|-------------|-----------------|-------------------------------|
| 1 | 030 002 976 | CR-2, CR-3 RELAYS |
| 2 | 030 005 856 | CAMLOC HANDLE |
| 3 | 030 005 861 | STEPPER RELAY |
| 4 | 030 005 862 | PR-2 RELAY |
| 5 | 030 005 866 | CIRCUIT BREAKER |
| 6 | 030 005 867 | KLIXON OVERLOAD |
| 7 | 030 005 869 | PR-1 RELAY |
| 8 | 030 005 870 | PR-3 RELAY |
| 9 | 030 005 878 | TIMER MOTOR |
| 10 | 030 005 886 | PR-4 RELAY |
| 11 | 030 007 763 | TRANSPARENT COVER (NOT SHOWN) |
| 12 | 030 008 790 | TIMER MOTOR SUB. ASSY. |
| 13 | 000 025 863 | CR-1 RELAY |
| 14 b | 000 025 865 | PLUNGER SWITCH |
| 15 | 000 025 876 | TIMER CAM |
| 16 | 000 025 879 | MICRO SWITCH |
| 17 b | 000 029 856 | FUSE |

b REFER TO PRICE LIST FOR MINIMUM ORDER QUANTITY AND PRICE.

CHASSIS

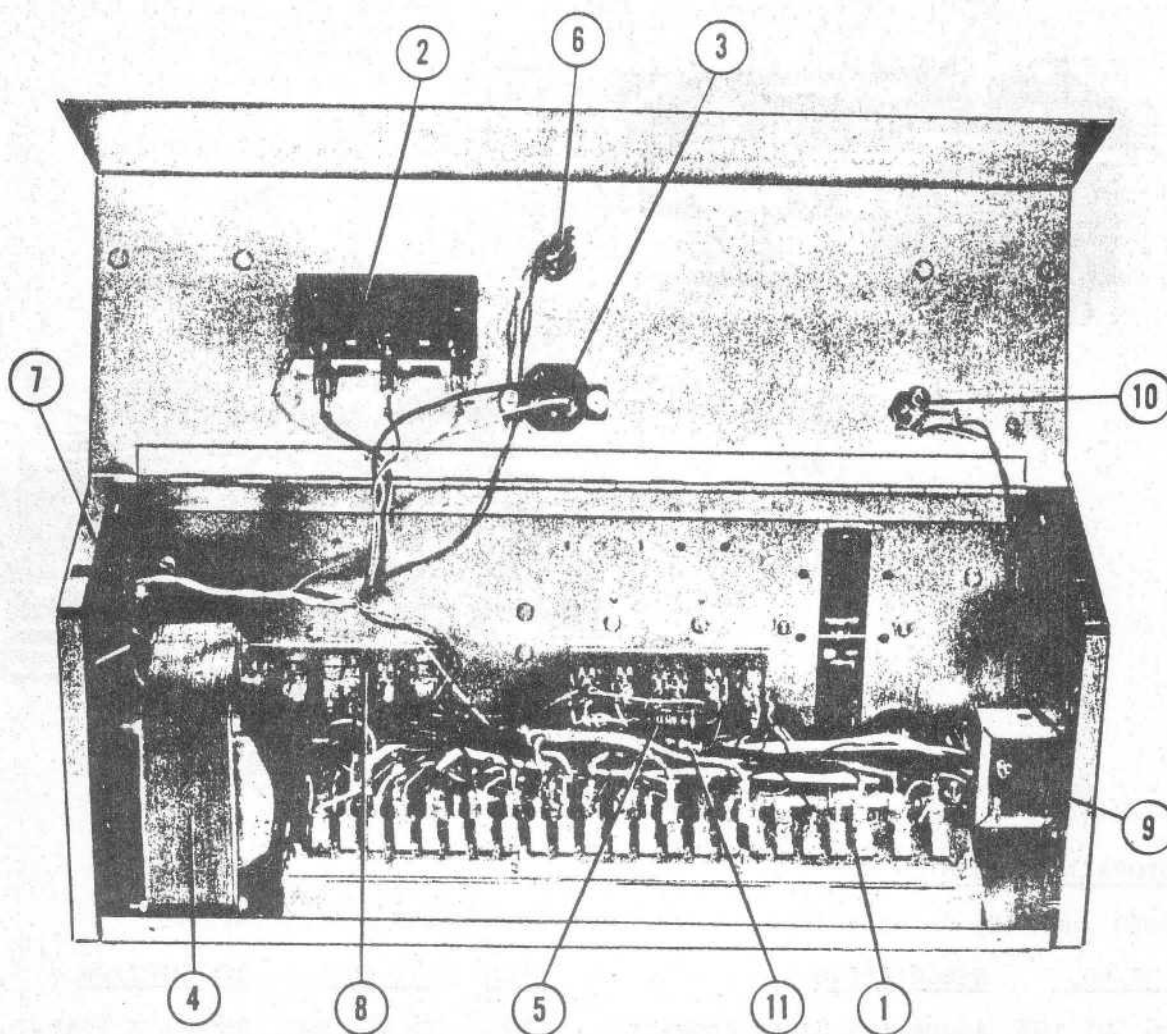


6525 CHASSIS ASSY.

| ITEM | PART NO. | DESCRIPTION | ITEM | PART NO. | DESCRIPTION |
|------|-------------|----------------------|------|-------------|-----------------------------------|
| 1 | 030 005 866 | CIRCUIT BREAKER | 14 | 724 511 049 | SPEED NUT |
| 2 | 030 005 867 | KLIXON OVERLOAD | 15 b | 813 227 082 | SCREW, PAN Hd. 6-32 X 1/2 |
| 3 | 030 006 526 | CR-2 & CR-3 | 16 | 813 333 200 | SCREW, PAN Hd. 8-32 X 1 1/4 |
| 4 | 030 006 540 | TRANSFORMER T-1 | 17 b | 818 033 042 | SCREW, SL. PAN Hd. 8-32X1/4 |
| 5 | 030 007 754 | RESISTOR, 1250 OHM | 18 b | 818 033 062 | SCREW, PAN Hd. 8-32 X 3/8 |
| 6 | 030 008 329 | TERMINAL BOARD ASSY. | 19 b | 818 033 122 | SCREW, PAN Hd. SEMS 8-32 X 3/4 |
| 7 b | 000 025 009 | CONDENSER | 20 b | 818 040 042 | SCREW, PAN Hd. 6-32 X 1/4 |
| 8 b | 000 025 865 | PLUNGER SWITCH | 21 | 818 333 102 | SCREW, PAN Hd. |
| 9 | 000 025 868 | RECTIFIER | 22 b | 828 527 042 | SCREW, SELF TAP. 6-32 X 1/4 |
| 10 | 000 025 871 | TERMINAL BOARD ASSY. | 23 b | 843 127 002 | LOOKNUT 6-32 |
| 11 b | 000 026 508 | RECTIFIER (Q.I.H.) | 24 b | 843 133 002 | LOOKNUT 8-32 |
| 12 b | 000 026 830 | RECTIFIER (M.I.H.) | 25 b | 916 530 821 | RESISTOR (82 OHM, 1W) |
| 13 | 000 026 836 | TRANSFORMER T-2 | | | |

b REFER TO PRICE LIST FOR MINIMUM ORDER QUANTITY AND PRICE.

CHASSIS

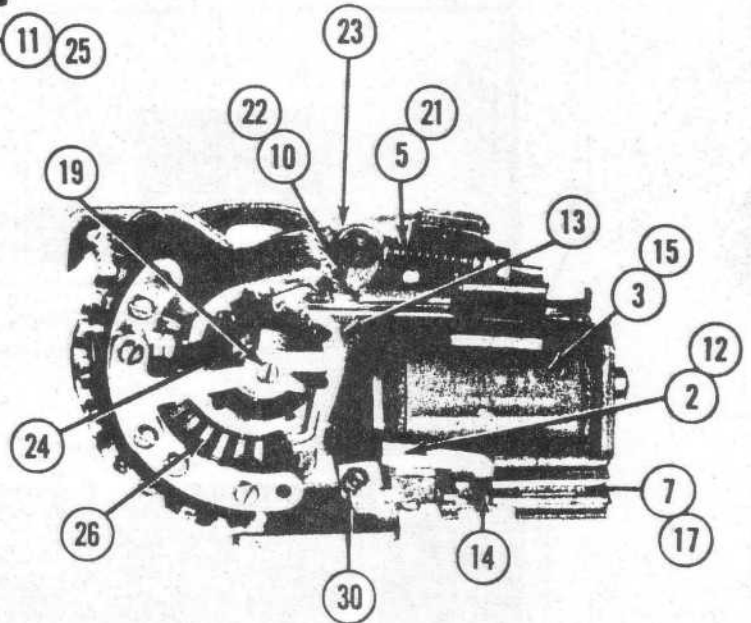
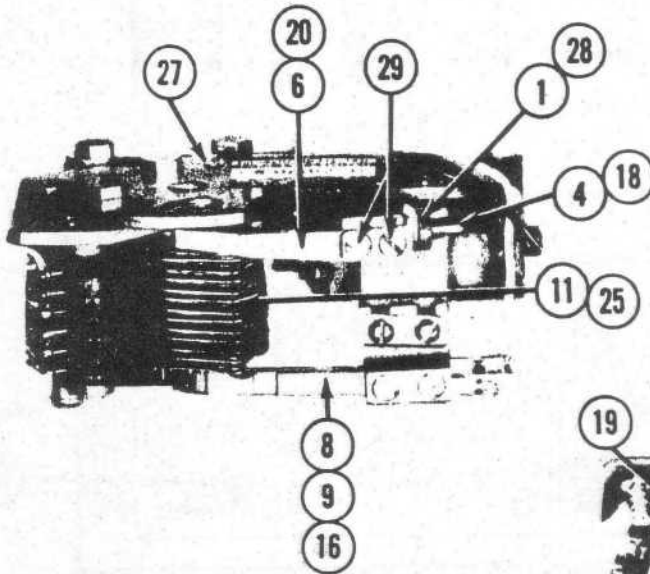


5850 CHASSIS ASSY.

| <u>ITEM</u> | <u>PART NO.</u> | <u>DESCRIPTION</u> |
|-------------|-----------------|----------------------|
| 1 | 030 005 855 | TERMINAL BOARD ASSY. |
| 2 | 030 005 866 | CIRCUIT BREAKER |
| 3 | 030 005 867 | KLIXON OVERLOAD |
| 4 | 030 006 540 | TRANSFORMER T-1 |
| 5 b | 000 025 009 | CONDENSER |
| 6 b | 000 025 865 | PLUNGER SWITCH |
| 7 | 000 025 868 | RECTIFIER |
| 8 | 000 025 871 | TERMINAL BOARD ASSY. |
| 9 | 000 026 836 | TRANSFORMER T-2 |
| 10 b | 000 029 010 | FUSE POST |
| 11 b | 916 530 821 | RESISTOR 82 OHM 1 W. |

Ⓛ REFER TO PRICE LIST FOR MINIMUM ORDER QUANTITY AND PRICE.

CHASSIS



AUTOMATIC ELECTRIC

4400, 5850 AND 6525 CHASSIS

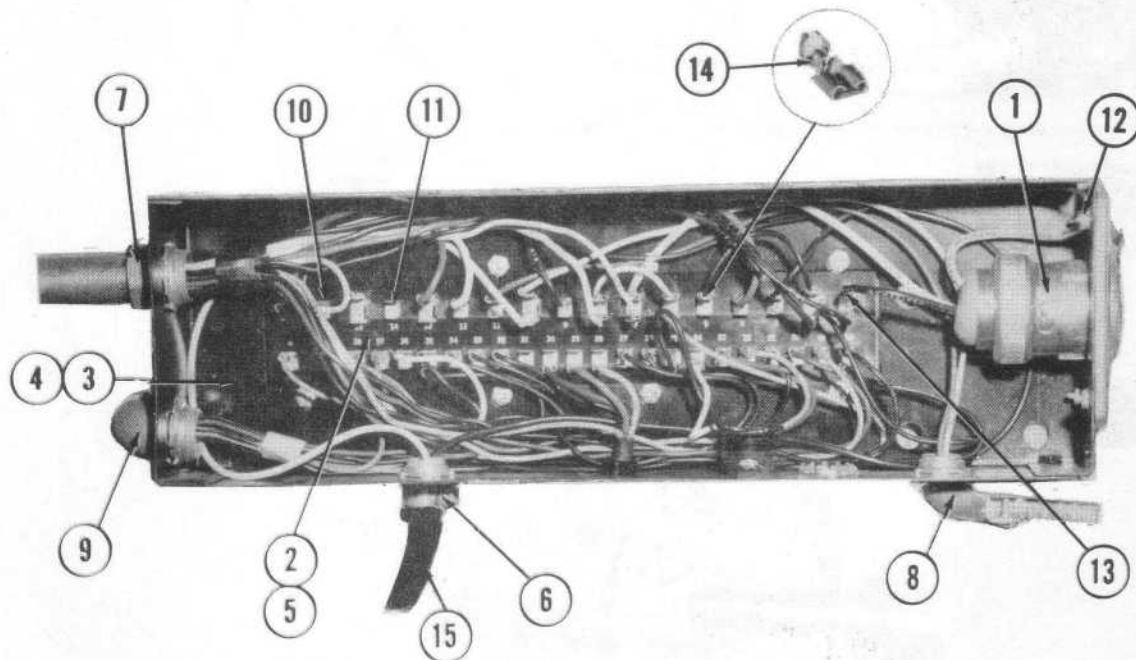
| <u>ITEM</u> | <u>PART NO.</u> | <u>DESCRIPTION</u> |
|-------------|-----------------|---------------------------|
| 1 b | 785 501 197 | ADJUSTING SCREW LOOKNUT |
| 2 | 788 001 002 | ARMATURE ASSY. |
| 3 | 788 001 025 | COIL |
| 4 b | 788 001 066 | ADJUSTING SCREW |
| 5 b | 788 001 083 | ARMATURE SPRING |
| 6 | 788 001 090 | DETENT STOP SPRING |
| 7 | 788 001 093 | INTERRUPTER CONTACT ASSY. |
| 8 | 788 001 094 | OFF NORMAL CONTACT ASSY. |
| 9 | 788 001 095 | OFF NORMAL CONTACT ASSY. |
| 10 | 788 001 097 | PAWL SPRING |
| 11 | 788 001 117 | WIPER ASSY. |

C. P. CLARE

5850 & 6525 CHASSIS

| <u>ITEM</u> | <u>PART NO.</u> | <u>DESCRIPTION</u> |
|-------------|-----------------|---------------------------|
| 12 | 788 001 003 | ARMATURE ASSY. |
| 13 | 788 001 007 | ARMATURE STOP (NOT SHOWN) |
| 14 | 788 001 017 | ACTUATING ARM BUMPER |
| 15 | 788 001 026 | 18 OHM COIL |
| 16 | 788 001 040 | OFF NORMAL CONTACT ASSY. |
| 17 | 788 001 050 | INTERRUPTER CONTACT ASSY. |
| 18 b | 788 001 065 | ADJUSTING SCREW |
| 19 | 788 001 070 | ROTOR SHAFT |
| 20 | 788 001 086 | DETENT SPRING |
| 21 b | 788 001 092 | DRIVE SPRING |
| 22 b | 788 001 096 | PAWL SPRING |
| 23 | 788 001 100 | PAWL STOP |
| 24 | 788 001 105 | GRADUATED WHEEL |
| 25 | 788 001 113 | WIPER ASSY. |
| 26 | 788 001 118 | CONTACT BANK ASSY. |
| 27 b | 813 924 032 | ARMATURE & PAWL STOP |
| 28 b | 834 533 002 | ADJ. SCREW 5-40 X 3/16 |
| 29 b | 881 100 032 | ADJ. SCREW LOCKNUT 8-32 |
| 30 | 919 010 000 | TRU-ARC RING |

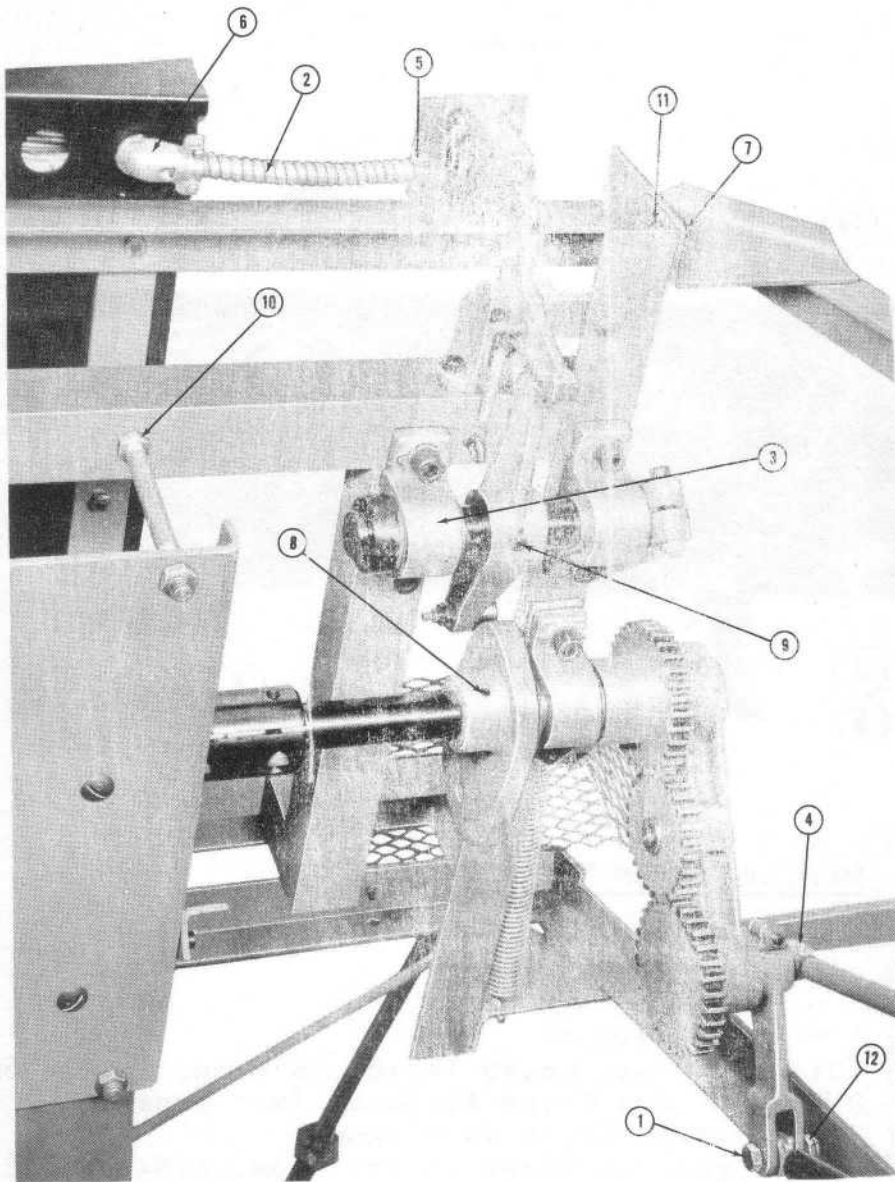
b REFER TO PRICE LIST FOR MINIMUM ORDER QUANTITY AND PRICE.



MAIN JUNCTION "J" BOX ASSY.

| <u>ITEM</u> | <u>PART NO.</u> | <u>DESCRIPTION</u> |
|-------------|-----------------|--|
| 1 | 030 004 719 | RECEPTACLE |
| 2 | 030 005 801 | TERMINAL BOARD (PRIOR TO MACH. S.N. 33647) |
| 3 | 030 006 085 | "J" BOX COVER WELDMENT (NOT SHOWN) |
| 4 | 030 007 729 | BAFFLE STRIP (NOT SHOWN) |
| 5 | 030 008 330 | TERMINAL BOARD (AFTER MACH. S.N. 33647) |
| 6 b | 746 001 015 | STRAIGHT CONNECTOR |
| 7 | 746 001 021 | STRAIGHT CONNECTOR |
| 8 b | 746 003 008 | 90° CONNECTOR |
| 9 | 746 005 022 | 90° CONNECTOR |
| 10 b | 760 001 070 | TERMINAL, CHAIR TYPE |
| 11 b | 760 002 062 | TERMINAL, COMPLETE (MALE & FEMALE) |
| 12 b | 760 014 021 | TERMINAL, EYELET |
| 13 b | 760 017 036 | TERMINAL, RECEPTACLE |
| 14 b | 760 017 037 | TERMINAL, RECEPTACLE |
| 15 | 906 314 041 | CORD, 4 CONDUCTOR |

b REFER TO PRICE LIST FOR MINIMUM ORDER QUANTITY AND PRICE.

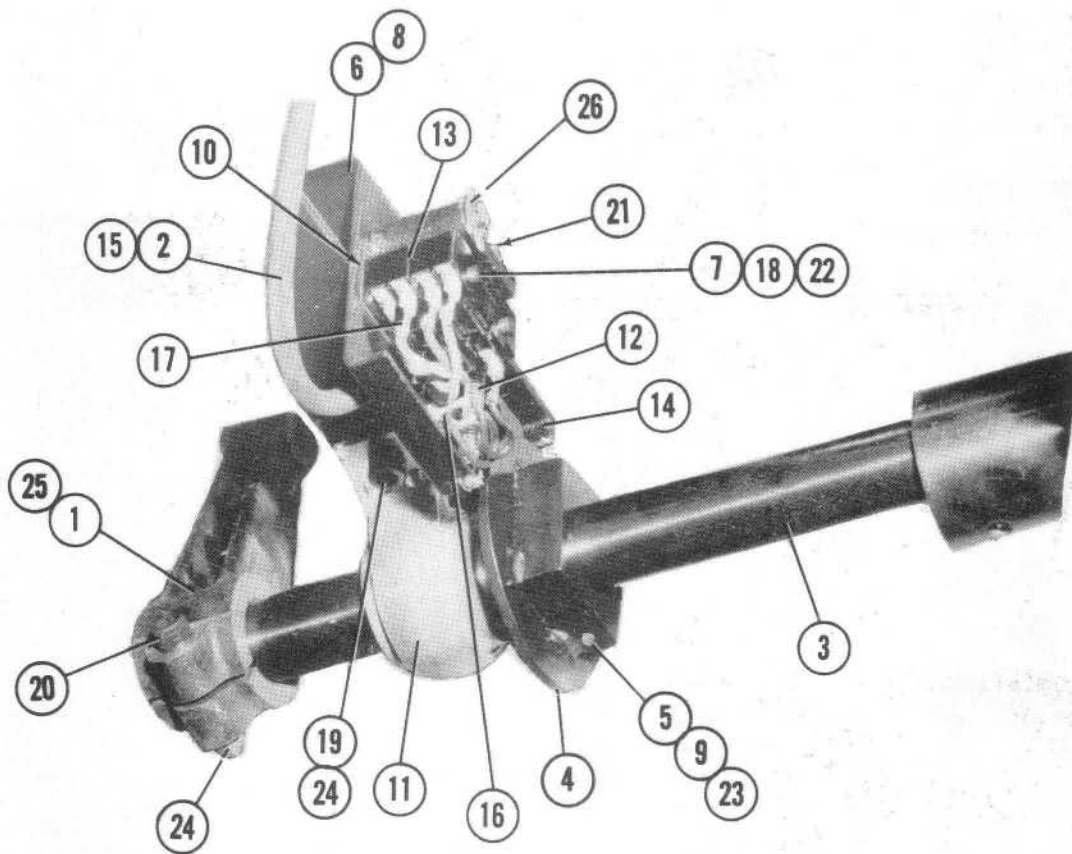


SPOT ACTUATING & TABLE DRIVE ASSY.

| <u>ITEM</u> | <u>PART NO.</u> | <u>DESCRIPTION</u> | <u>ITEM</u> | <u>PART NO.</u> | <u>DESCRIPTION</u> |
|-------------|-----------------|---------------------------------------|-------------|-----------------|--------------------------------|
| 1 b | 030 001 107 | BOLT | 8 b | 811 327 082 | SET SCREW, CUP PT. #6-32 X 1/2 |
| 2 | 030 005 651 | FLEXIBLE CONDUIT | 9 b | 811 933 162 | SET SCREW, CUP PT. 8-32 X 1 |
| 3 | 030 007 968 | PILLOW BLOCK (USE WITH MECH. COUNTER) | 10 b | 835 574 002 | NUT, HEX JAM 1/2-20 |
| 4 b | 710 502 010 | GREASE FITTING | 11 b | 844 058 002 | LOCKNUT 5/16-24 |
| 5 | 746 001 004 | STRAIGHT CONNECTOR | 12 b | 844 070 002 | LOCKNUT 7/16-20 |
| 6 b | 746 003 008 | 90° CONNECTOR | | | |
| 7 b | 810 258 120 | SCREW, SOC. HD. CAP 5/16-24 X 3/4 | | | |

b REFER TO PRICE LIST FOR MINIMUM ORDER QUANTITY AND PRICE.

TABLE

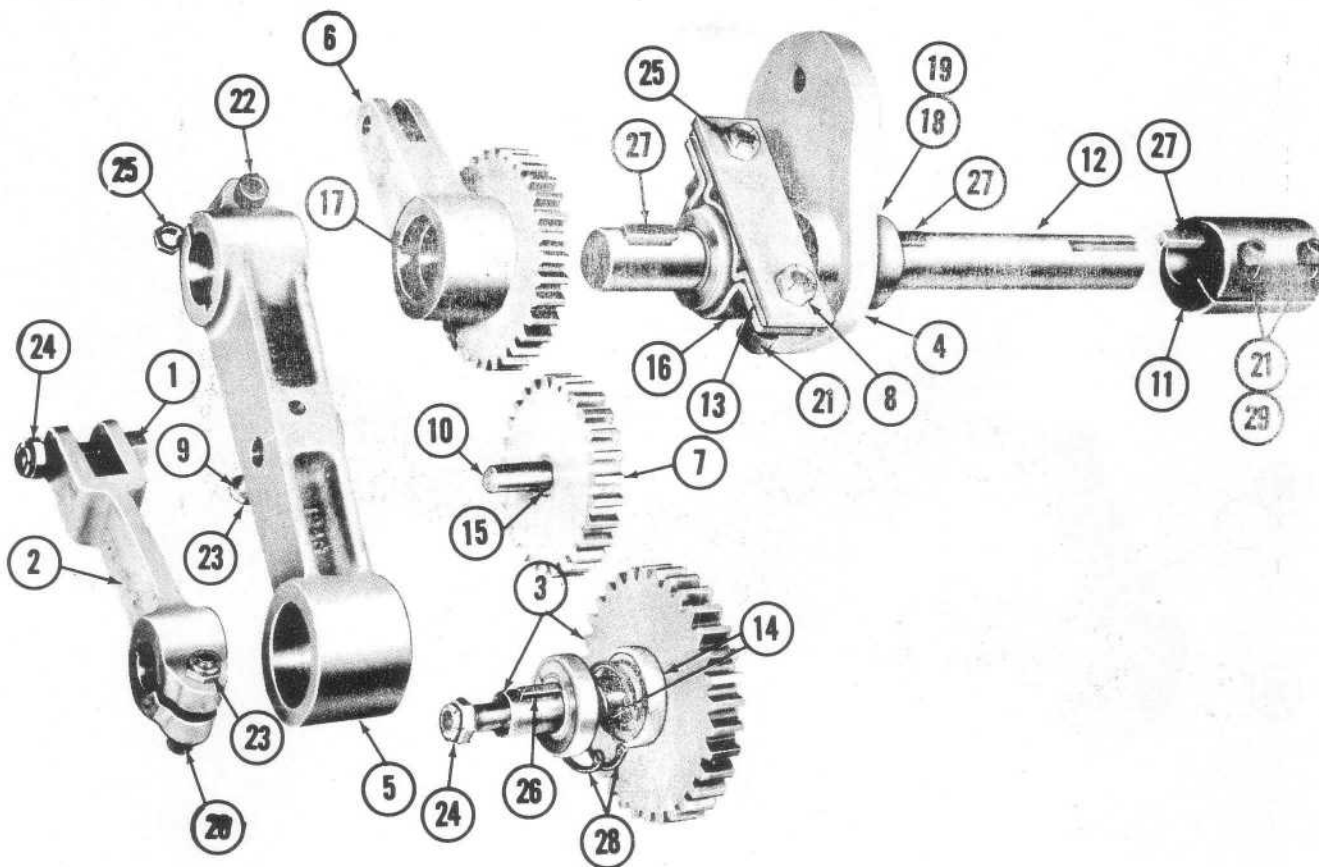


CRANKSHAFT - TABLE CAM

| <u>ITEM</u> | <u>PART NO.</u> | <u>DESCRIPTION</u> | <u>ITEM</u> | <u>PART NO.</u> | <u>DESCRIPTION</u> |
|-------------|-----------------|-----------------------------|-------------|-----------------|---------------------------------------|
| 1 | 030 001 245 | CRANK ARM, R.H. | 16 b | 760 010 073 | TERMINAL |
| 2 | 030 005 802 | CABLE ASSY. | 17 b | 760 017 036 | TERMINAL |
| 3 | 030 006 026 | SHAFT | 18 b | 810 227 280 | SCREW, Soc. Hd. CAP 6-32 X 1 3/4 |
| 4 | 030 006 053 | TABLE CAM ASSY. | 19 b | 810 266 200 | SCREW, Soc. Hd. CAP 3/8-24 X 1 1/4 |
| 5 | 030 006 070 | CLAMP STUD | 20 b | 810 266 320 | SCREW, Soc. Hd. CAP 3/8-24 X 2 |
| 6 | 030 006 111 | MOUNTING BRACKET | 21 b | 835 549 002 | HEX JAM NUT 1/4-20 |
| 7 | 030 007 640 | GUARD | 22 b | 839 527 002 | LOCKNUT 6-32 |
| 8 | 030 007 843 | TABLE CAM SW. & LEVER ASSY. | 23 b | 839 750 002 | LOCKNUT 1/4-28 |
| 9 | 030 008 790 | ADJUSTING BOLT | 24 b | 844 066 002 | LOCKNUT 3/8-24 |
| 10 b | 000 022 296 | INSULATOR | 25 b | 907 000 900 | KEY (NOT SHOWN) |
| 11 | 000 022 811 | PILLOW BLOCK | 26 b | 963 400 002 | X WASHER |
| 12 b | 000 024 657 | SPRING | | | |
| 13 b | 000 026 042 | MICRO SWITCH | | | |
| 14 | 000 027 018 | LEVER | | | |
| 15 b | 785 500 001 | BUSHING (NOT SHOWN) | | | |

b REFER TO PRICE LIST FOR MINIMUM ORDER QUANTITY AND PRICE.

TABLE

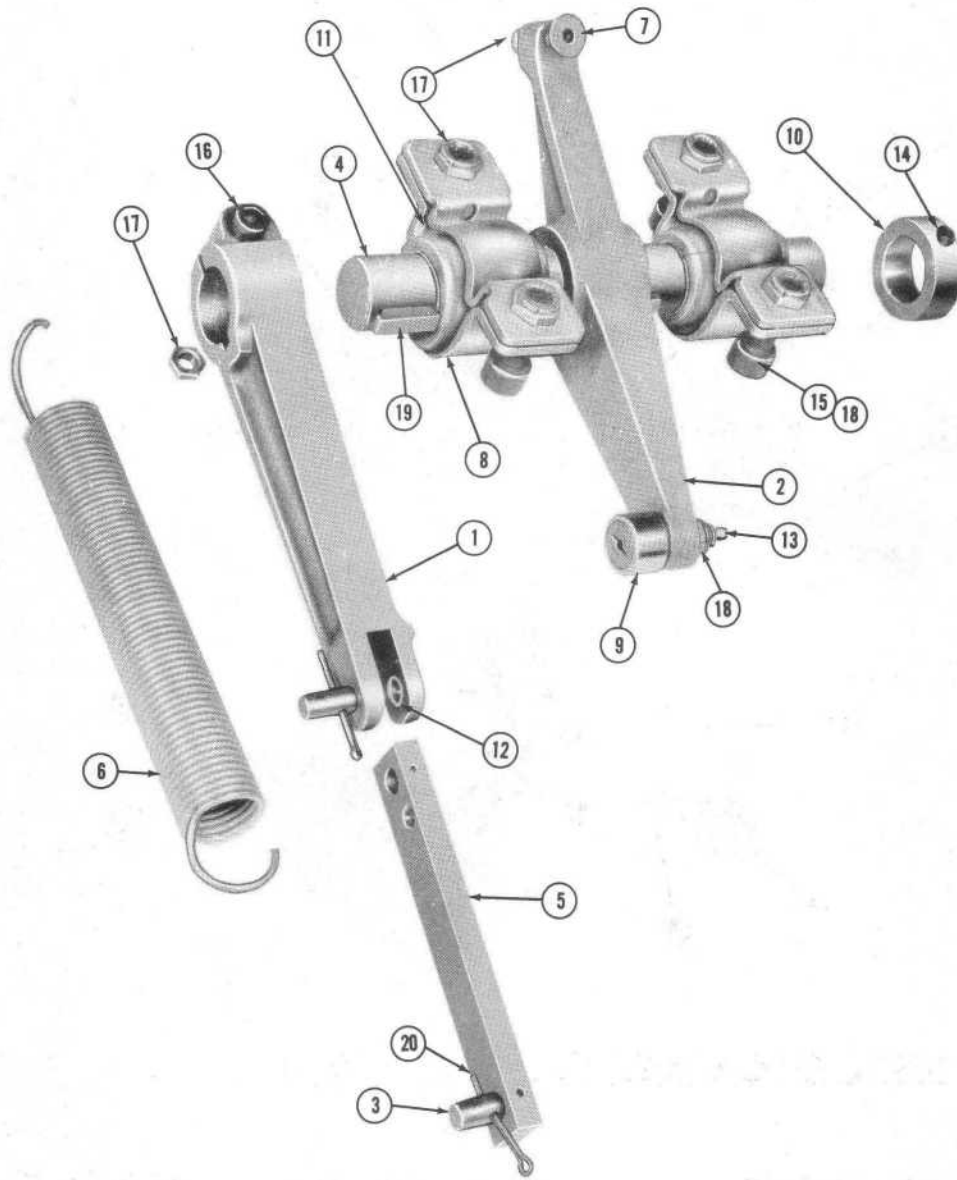


SPOT CAM, DRIVE SHAFT, GEAR - LEVER ASSY.

| <u>ITEM</u> | <u>PART NO.</u> | <u>DESCRIPTION</u> | <u>ITEM</u> | <u>PART NO.</u> | <u>DESCRIPTION</u> |
|-------------|-----------------|-----------------------|-------------|-----------------|---------------------------------------|
| 1 b | 030 001 107 | ROD SCREW | 18 b | 807 249 040 | SET SCREW 1/4-20 X 1/4 |
| 2 | 030 001 229 | LEVER, CUP ACTUATING | 19 b | 808 149 022 | SET SCREW 1/4-20 X 1/8 |
| 3 | 030 001 232 | DRIVE GEAR ASSY. | 20 b | 810 258 240 | SCREW, SOC. HD. CAP 5/16-24 1 1/2 |
| 4 | 030 001 244 | CAM | 21 b | 810 266 200 | SCREW, SOC. HD. CAP 3/8-24 X 1 1/4 |
| 5 | 030 001 246 | CRANK ARM, L.H. | 22 b | 810 266 320 | SCREW, SOC. HD. CAP 3/8-24 X 2 |
| 6 | 030 001 265 | LEVER GEAR ASSY. | 23 b | 844 058 002 | LOCKNUT 5/16-24 |
| 7 | 030 001 340 | IDLER ASSY. | 24 b | 844 066 002 | LOCKNUT 3/8-24 |
| 8 | 030 001 440 | SPACER | 25 b | 844 070 002 | LOCKNUT 7/16-20 |
| 9 b | 030 001 462 | STUD CLAMP | 26 b | 907 000 500 | KEY |
| 10 | 030 001 488 | IDLER SHAFT | 27 b | 907 000 900 | KEY |
| 11 | 030 003 257 | COUPLING | 28 b | 946 188 322 | WASHER |
| 12 | 030 003 434 | SHAFT EXTENSION, L.H. | 29 b | 951 164 002 | LOCK WASHER 3/8 |
| 13 | 030 003 938 | STRAP (HOUSING) | | | |
| 14 b | 030 004 751 | BEARING | | | |
| 15 b | 030 008 164 | BEARING | | | |
| 16 | 000 022 811 | PILLOW BLOCK | | | |
| 17 b | 701 540 083 | BEARING | | | |

b REFER TO PRICE LIST FOR MINIMUM ORDER QUANTITY AND PRICE.

TABLE

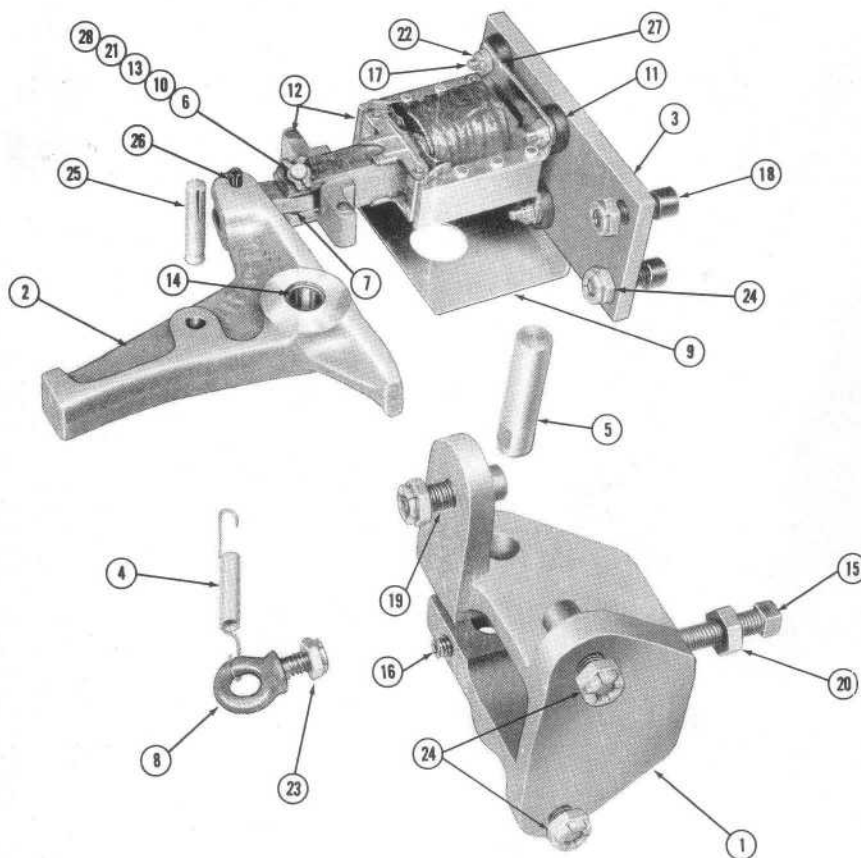


CAM FOLLOWER - SPOT ACTUATING - TABLE DRIVE

| <u>ITEM</u> | <u>PART NO.</u> | <u>DESCRIPTION</u> | <u>ITEM</u> | <u>PART NO.</u> | <u>DESCRIPTION</u> |
|-------------|-----------------|-------------------------|-------------|-----------------|---------------------------------------|
| 1 | 030 001 248 | ARM & BUSHING ASSY. | 13 b | 710 501 003 | FITTING |
| 2 | 030 001 266 | ROCKER FOLLOWER | 14 b | 807 358 080 | SET SCREW 5/16-24 X 1/2 |
| 3 b | 030 001 274 | PIN LEVER GEAR | 15 b | 810 266 200 | SCREW, Soc. Hd. CAP 3/8-24 X 1 1/4 |
| 4 | 030 001 416 | STUB SHAFT | 16 b | 810 266 320 | SCREW, Soc. Hd. CAP 3/8-24 X 2 |
| 5 | 030 001 420 | LINK, CUP ACTUATING | 17 b | 844 066 002 | LOCKNUT 3/8-24 |
| 6 | 030 001 437 | SPRING, LEVER ACTUATING | 18 b | 844 070 002 | LOCKNUT 7/16-20 |
| 7 | 030 002 374 | SCREW, ADJUSTING | 19 b | 907 000 900 | KEY |
| 8 | 030 003 938 | STRAP | 20 b | 911 015 202 | COTTER PIN |
| 9 | 030 004 718 | CAM FOLLOWER | | | |
| 10 | 030 004 720 | COLLAR & SET SCREW | | | |
| 11 | 000 022 811 | PILLOW BLOCK | | | |
| 12 b | 701 512 072 | BEARING | | | |

b REFER TO PRICE LIST FOR MINIMUM ORDER QUANTITY AND PRICE.

TABLE



SPOT, TRIP - MOUNTING - TABLE DRIVE

| <u>ITEM</u> | <u>PART NO.</u> | <u>DESCRIPTION</u> | <u>ITEM</u> | <u>PART NO.</u> | <u>DESCRIPTION</u> |
|-------------|-----------------|--|-------------|-----------------|----------------------------------|
| 1 | 030 001 276 | MOUNT, TRIP-LEVER | 16b | 807 349 060 | SET SCREW CUP PT. 1/4-20 3/8 |
| 2 | 030 001 419 | TRIP-LEVER ASSY. | 17b | 810 233 140 | SCREW, SOC. HD. CAP 8-32 X 7/8 |
| 3 | 030 001 421 | SOLENOID PLATE | 18b | 810 258 120 | SCREW SOC. HD. CAP 5/16-24 X 3/4 |
| 4 b | 030 001 439 | SPRING, TRIP LEVER | 19b | 810 258 140 | SCREW, SOC. HD. CAP 5/16-24 7/8 |
| 5 | 030 001 487 | PIN, TRIP LEVER | 20b | 835 549 002 | HEX JAM NUT 1/4-20 |
| 6 b | 030 001 626 | SPACER (NOT SHOWN) | 21b | 838 727 002 | LOCKNUT 6-32 |
| 7 b | 030 003 094 | LINK | 22b | 840 033 002 | LOCKNUT 8-32 |
| 8 b | 030 003 206 | EYE BOLT | 23b | 844 049 002 | LOCKNUT 1/4-20 |
| 9 | 030 006 774 | SOLENOID COVER (PARTIALLY SHOWN) | 24b | 844 058 002 | LOCKNUT 5/16-24 |
| 10 | 030 008 173 | PIN (SEE 028 391) | 25b | 912 648 200 | GROOVE PIN |
| 11 b | 000 021 442 | SOLENOID WASHER | 26b | 913 437 160 | ROLL PIN .187 X 1 |
| 12 | 000 026 027 | SOLENOID | 27b | 948 637 072 | WASHER, PLAIN 3/16 X 7/16 X .046 |
| 13 b | 000 028 391 | SHOULDER SCREW (EFF. SERIAL No. 82668) | 28b | 963 100 002 | X WASHER |
| 14 b | 701 514 075 | BEARING | | | |
| 15 b | 806 749 200 | SET SCREW Sq. Hd. 1/4-20 X 1 1/4 | | | |

b REFER TO PRICE LIST FOR MINIMUM ORDER QUANTITY AND PRICE.

TABLE

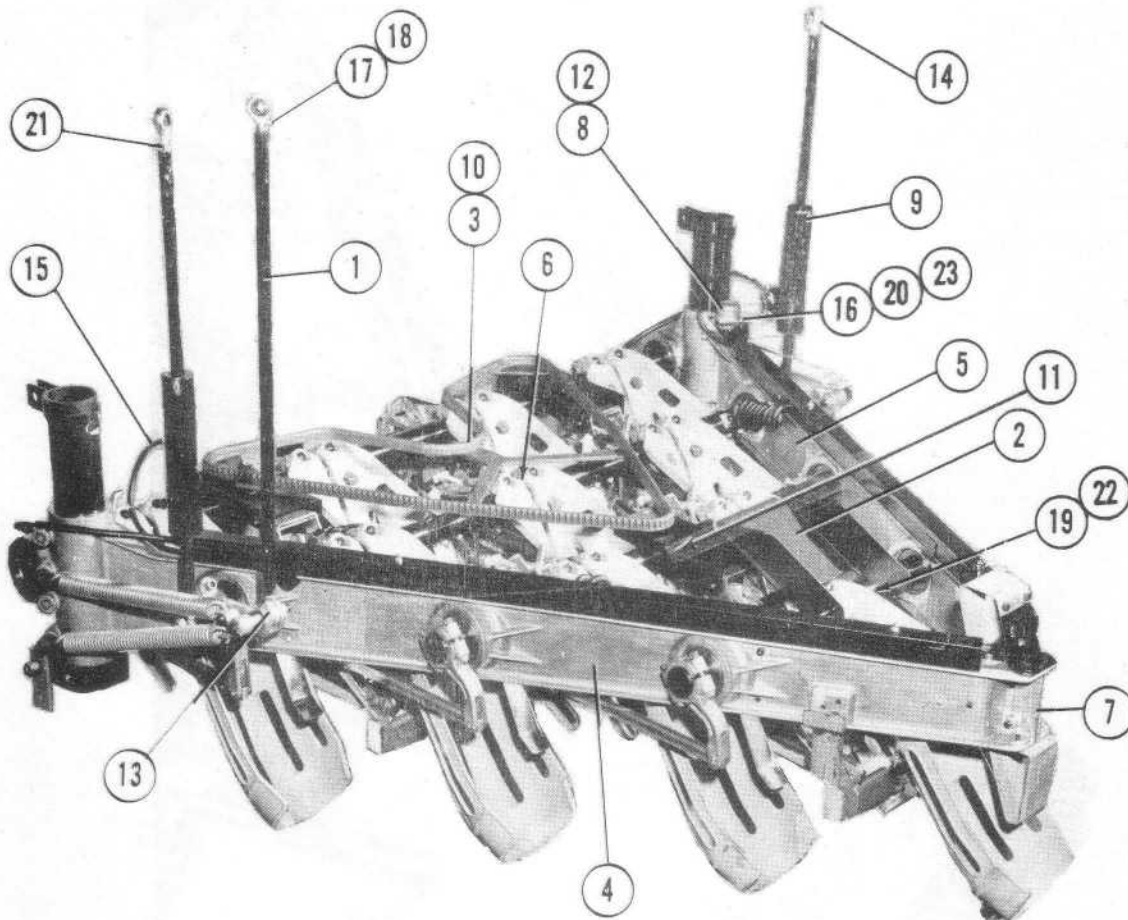
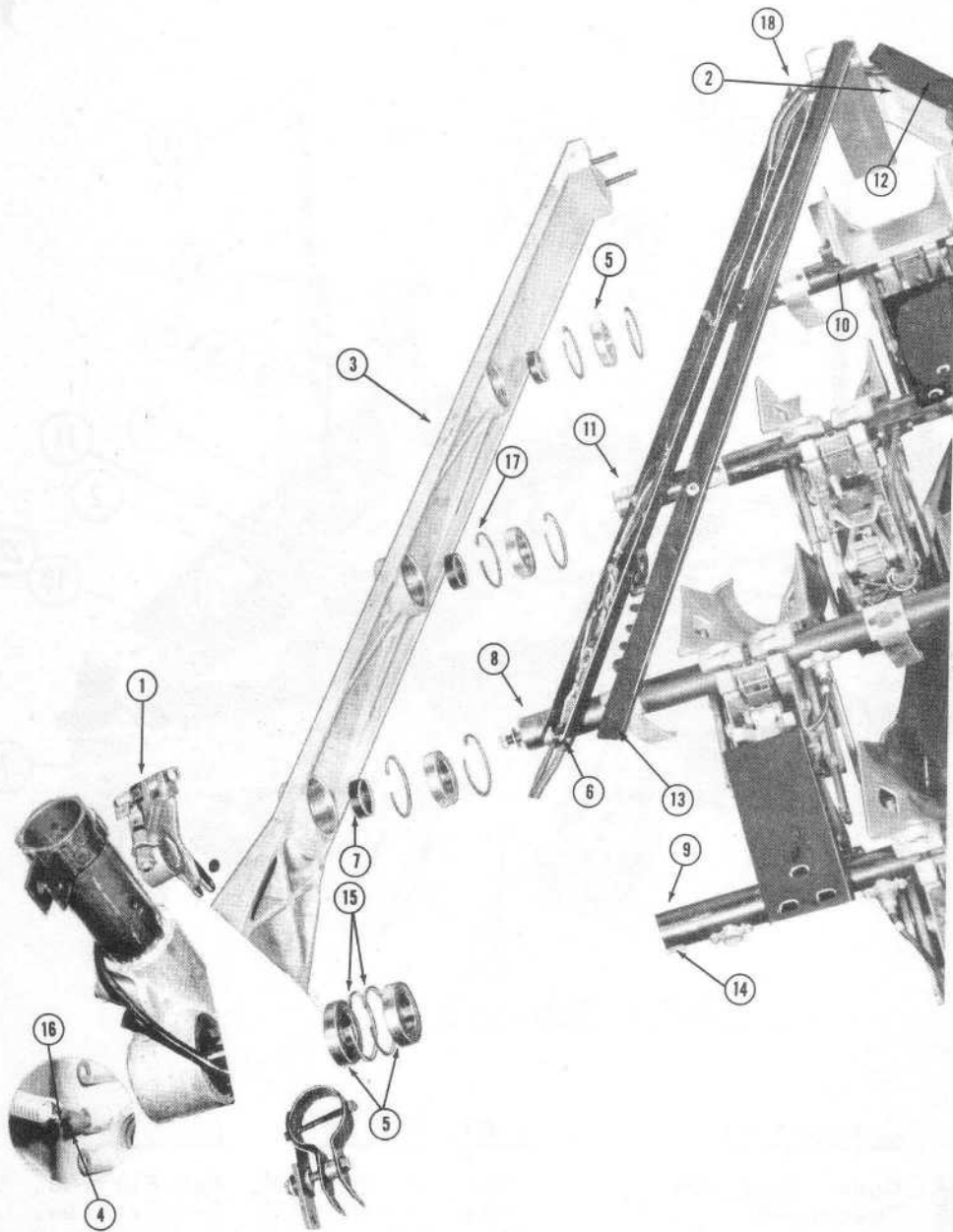


TABLE - MAIN ASSY.

| <u>ITEM</u> | <u>PART NO.</u> | <u>DESCRIPTION</u> | <u>ITEM</u> | <u>PART NO.</u> | <u>DESCRIPTION</u> |
|-------------|-----------------|-------------------------------------|-------------|-----------------|-----------------------------------|
| 1 | 030 001 153 | CONNECTING ROD | 13 b | 000 025 004 | END FITTING, R.H. |
| 2 | 030 001 236 | FUNNEL #1 | 14 b | 000 025 005 | END FITTING, L.H. |
| 3 | 030 003 436 | DIST. TRACK (WITH EAR STOPS) | 15 | 000 026 113 | CONNECTING ROD WIRE ASSY. |
| 4 | 030 005 425 | TABLE CASTING, L.H. | 16 b | 000 027 732 | GUARD, TABLE CABLE (NOT SHOWN) |
| 5 | 030 005 426 | TABLE CASTING, R.H. | 17 b | 710 502 010 | GREASE FITTING 6-32 THD. |
| 6 | 030 005 603 | FUNNEL #5 (NOT SHOWN) | 18 b | 710 502 011 | GREASE FITTING 8-32 THD. |
| 7 | 030 007 035 | TABLE ASSY. | 19 b | 810 250 320 | SCREW, SOC. HD. CAP 1/4-28 X 2 |
| 8 | 030 007 183 | SOCKET MTG. BRACKET | 20 b | 813 227 082 | SCREW, PAN HD. 6-32 X 1/2 |
| 9 | 030 007 571 | CONNECTING ROD ASSY. | 21 b | 835 570 002 | HEX NUT 7/16-20 |
| 10 | 030 008 310 | DIST. TRACK (WITHOUT STOPS) | 22 b | 839 750 002 | LOCKNUT 1/4-28 |
| 11 | 030 008 787 | PLATE TRACK, SUPPORT (NOT SHOWN) | 23 b | 843 127 002 | LOCKNUT 6-32 |
| 12 | 000 024 698 | SOCKET | | | |

b REFER TO PRICE LIST FOR MINIMUM ORDER QUANTITY AND PRICE.

TABLE

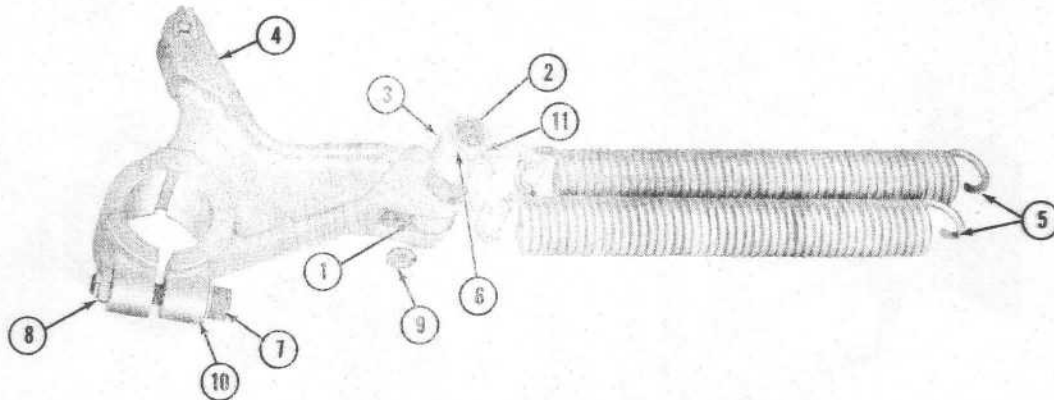


FRAME, SHAFT, WIREWAY - TABLE

| <u>ITEM</u> | <u>PART NO.</u> | <u>DESCRIPTION</u> | <u>ITEM</u> | <u>PART NO.</u> | <u>DESCRIPTION</u> |
|-------------|-----------------|---|-------------|-----------------|--------------------|
| 1 b | 030 001 108 | SPACER | 9 | 030 006 125 | #4 SHAFT ASSY. |
| 2 | 030 005 425 | TABLE FRAME L.H. | 10 | 030 008 325 | #1 SHAFT ASSY. |
| 3 | 030 005 426 | TABLE FRAME R.H. | 11 | 030 008 326 | #2 SHAFT ASSY. |
| 4 | 030 005 434 | PIVOT | 12 | 000 025 443 | WIREWAY ASSY. L.H. |
| 5 | 030 005 438 | BEARING | 13 | 000 027 738 | WIREWAY CAP |
| 6 | 030 005 442 | WIREWAY ASSY., R.H. | 14 b | 907 001 100 | KEY |
| 7 | 030 005 895 | SPACER (LEFT SIDE ONLY #1 AND #2 SHAFTS, L.H. & R.H. ON #3 SHAFT) | 15 b | 919 001 200 | RETAINER RING |
| 8 | 030 006 124 | #3 SHAFT ASSY. | 16 b | 919 005 500 | RETAINER RING |
| | | | 17 b | 919 006 200 | RETAINER RING |
| | | | 18 b | 940 280 040 | TUBING |

b REFER TO PRICE LIST FOR MINIMUM ORDER QUANTITY AND PRICE.

TABLE

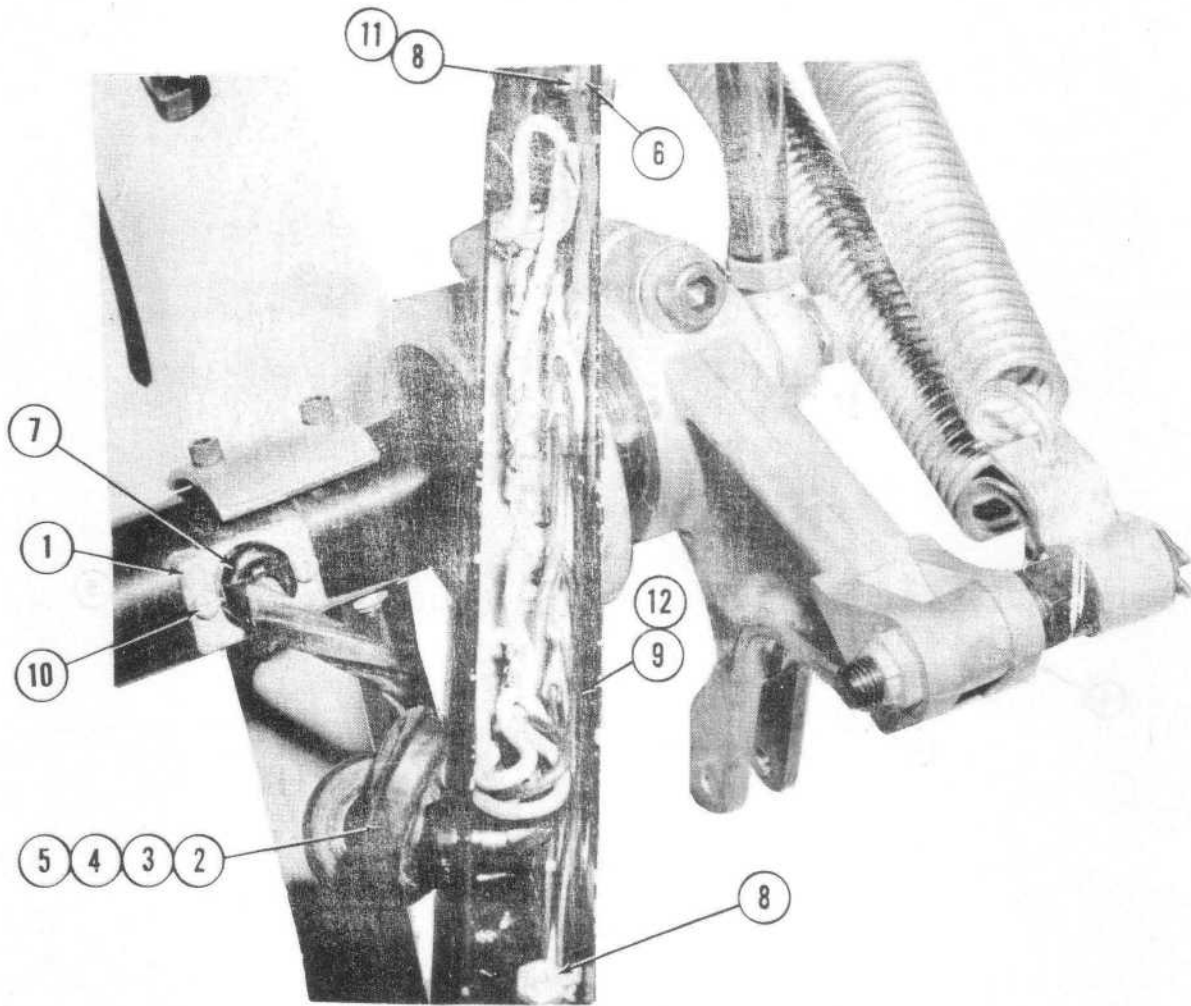


CRANK & SPOT BALANCE SPRING

| <u>ITEM</u> | <u>PART NO.</u> | <u>DESCRIPTION</u> |
|-------------|-----------------|------------------------------------|
| 1 b | 030 001 108 | SPACER |
| 2 | 030 001 211 | STUD CRANK |
| 3 b | 030 001 212 | CLIP |
| 4 | 030 001 329 | CRANK #3 SHAFT |
| 5 | 030 002 783 | SPRING, SPOT BALANCE |
| 6 b | 701 416 057 | BEARING |
| 7 b | 810 266 320 | SCREW, Soc. Hd. CAP 3/8-24 X 2 |
| 8 b | 844 066 002 | LOCKNUT 3/8-24 |
| 9 b | 844 070 002 | LOCKNUT 7/16-20 |
| 10 b | 949 100 002 | WASHER, PLAIN 15/32 X 59/64 X 1/16 |
| 11 b | 963 600 002 | X WASHER |

b REFER TO PRICE LIST FOR MINIMUM ORDER QUANTITY AND PRICE.

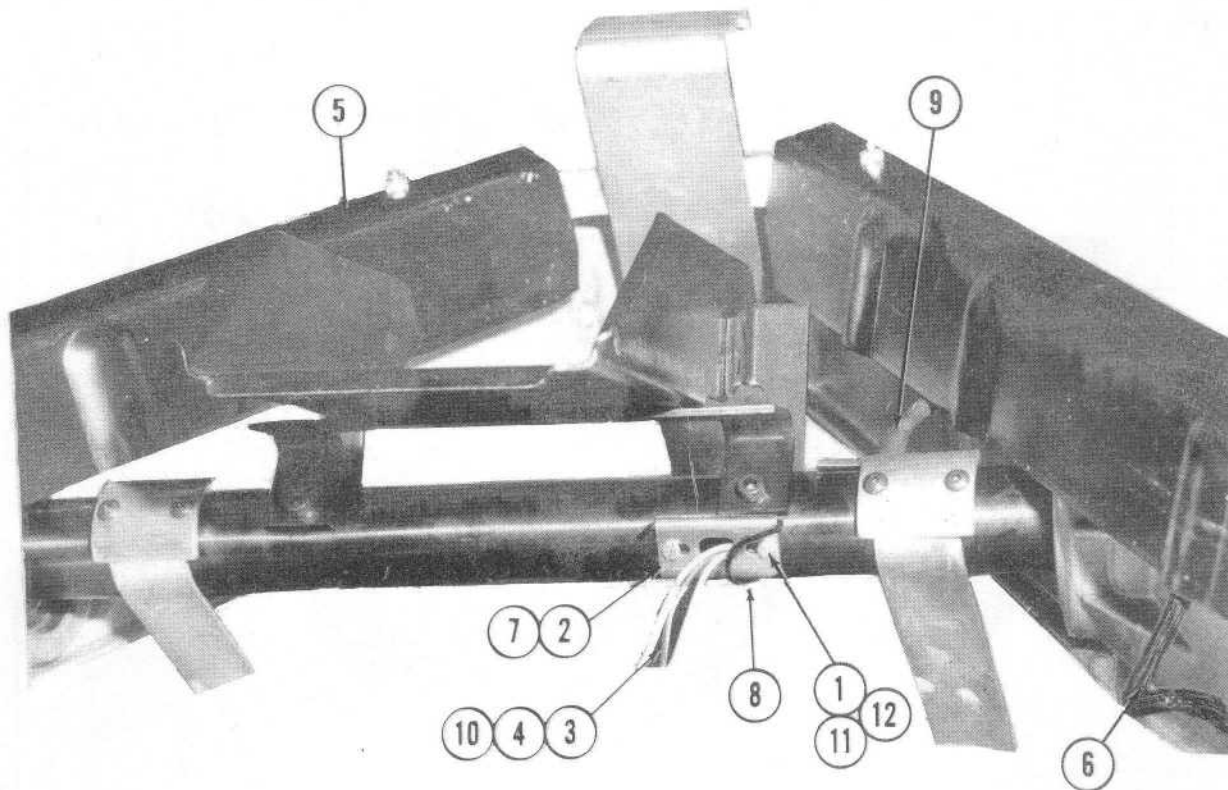
TABLE



WIRING - WIREWAY, SHAFTS - TABLE

| <u>ITEM</u> | <u>PART NO.</u> | <u>DESCRIPTION</u> |
|-------------|-----------------|----------------------------------|
| 1 b | 030 004 605 | CORD GRIP BLOCK |
| 2 b | 030 008 347 | CORD ASSY. #1 & 3 SHAFT |
| 3 b | 030 008 348 | CORD ASSY. #3 SHAFT |
| 4 b | 030 008 349 | CORD ASSY. #2 SHAFT |
| 5 b | 030 008 350 | CORD ASSY. #4 SHAFT |
| 6 b | 724 504 028 | CLAMP |
| 7 b | 758 500 001 | BUSHING |
| 8 b | 810 233 060 | SCREW, SOC. HD. CAP 8-32 X 3/8 |
| 9 b | 810 250 080 | SCREW, SOC. HD. CAP 1/4-28 X 1/2 |
| 10 b | 813 227 082 | SCREW, PAN HD. 6-32 X 1/2 |
| 11 b | 840 033 002 | NUT, SELF LOCKING 8-32 |
| 12 b | 840 050 002 | NUT, SELF LOCKING 1/4-28 |

b REFER TO PRICE LIST FOR MINIMUM ORDER QUANTITY AND PRICE.



WIRING CONNECTIONS-TABLE

| <u>ITEM</u> | <u>PART NO.</u> | <u>DESCRIPTION</u> |
|-------------|-----------------|--|
| 1 b | 030 001 626 | SPACER (USED WITH 030 004 700-NOT SHOWN) |
| 2 b | 030 004 700 | SOCKET, RESPOT CELL (NOT SHOWN) |
| 3 b | 030 004 732 | PLUG, RESPOT CELL (NOT SHOWN) |
| 4 | 030 006 546 | CORD ONLY, CELL 2,3,5 (NOT SHOWN) |
| 5 | 030 007 738 | SHIELD, WIREWAY CAP |
| 6 | 030 008 282 | CORD ASSY. #2 SHAFT |
| 7 b | 030 008 289 | CORD GRIP CLAMP |
| 8 b | 030 008 297 | GUARD |
| 9 | 030 008 299 | CORD ASSY. #1 & #3 SHAFT |
| 10 | 030 008 346 | CELL WIRE KIT |
| 11 b | 813 227 082 | SCREW, PAN Hd. 6-32 X 1/2 |
| 12 b | 959 600 002 | LOCK WASHER #1206-00 |

b REFER TO PRICE LIST FOR MINIMUM ORDER QUANTITY AND PRICE.

TABLE

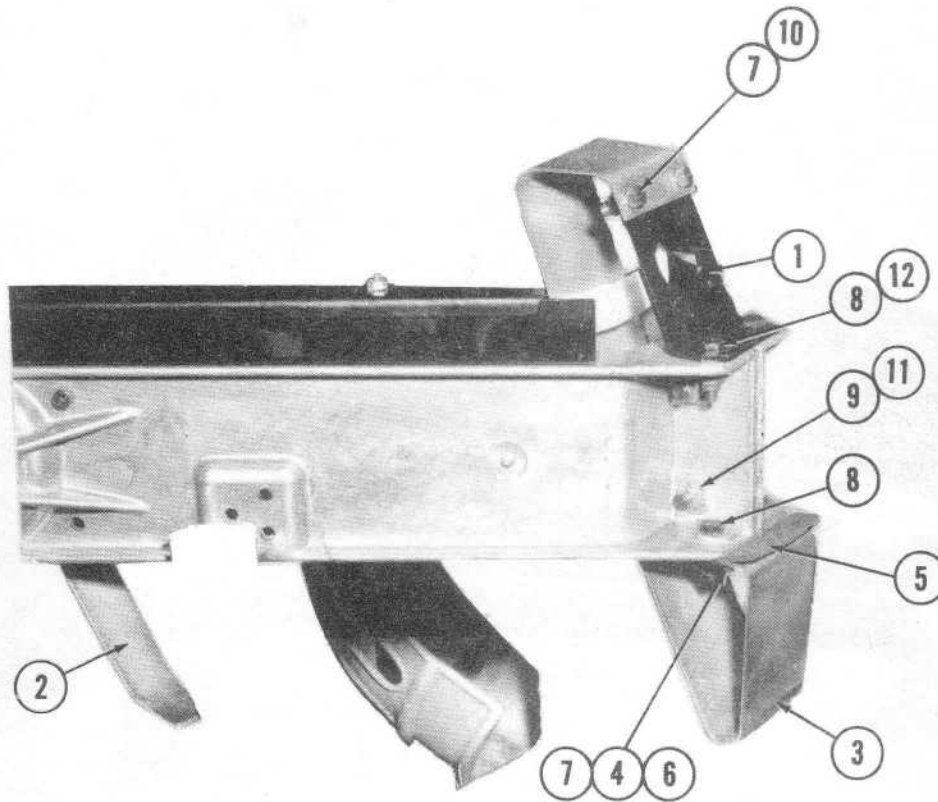
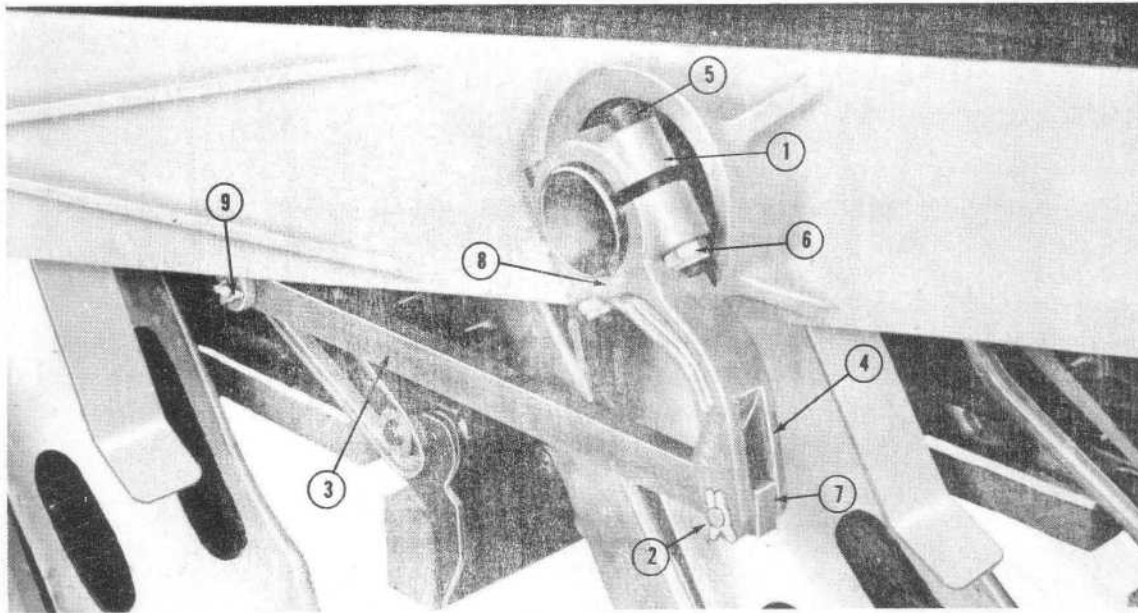


TABLE FRONT END ASSY.

| <u>ITEM</u> | <u>PART NO.</u> | <u>DESCRIPTION</u> |
|-------------|-----------------|------------------------------------|
| 1 | 030 002 530 | BRACKET |
| 2 | 030 005 063 | PIN DEFLECTOR |
| 3 | 030 005 064 | #1 PIN DEFLECTOR |
| 4 b | 030 005 065 | PLATE SPACER |
| 5 b | 030 008 111 | PAD, SHOCK |
| 6 b | 030 008 112 | SPACER |
| 7 b | 810 249 060 | SCREW, SOC. HD. CAP 1/4-20 X 3/8 |
| 8 b | 810 249 120 | SCREW, SOC. HD. CAP 1/4-20 X 3/4 |
| 9 b | 810 266 200 | SCREW, SOC. HD. CAP 3/8-24 X 1 1/4 |
| 10 b | 844 049 002 | NUT SELF LOCKING 1/4-20 |
| 11 b | 844 066 002 | NUT SELF LOCKING 3/8-24 |
| 12 b | 951 156 002 | LOCK WASHER 5/16 |

b REFER TO PRICE LIST FOR MINIMUM ORDER QUANTITY AND PRICE.



ARM - LINK ASSY. - TABLE SHAFT

| <u>ITEM</u> | <u>PART NO.</u> | <u>DESCRIPTION</u> |
|-------------|-----------------|--------------------------------------|
| 1 | 030 001 148 | CAP, ARM |
| 2 b | 030 001 231 | PIN |
| 3 | 030 001 331 | LINK ASSY. |
| 4 | 030 008 378 | ARM, TABLE SHAFT |
| 5 b | 808 558 320 | SCREW, BUTTON HD. CAP 5/16-24 X 2 |
| 6 b | 844 058 002 | LOCKNUT 5/16-24 |
| 7 b | 900 104 061 | BEARING |
| 8 b | 907 000 500 | KEY |
| 9 b | 963 200 002 | X WASHER |

b REFER TO PRICE LIST FOR MINIMUM ORDER
QUANTITY AND PRICE.

TABLE

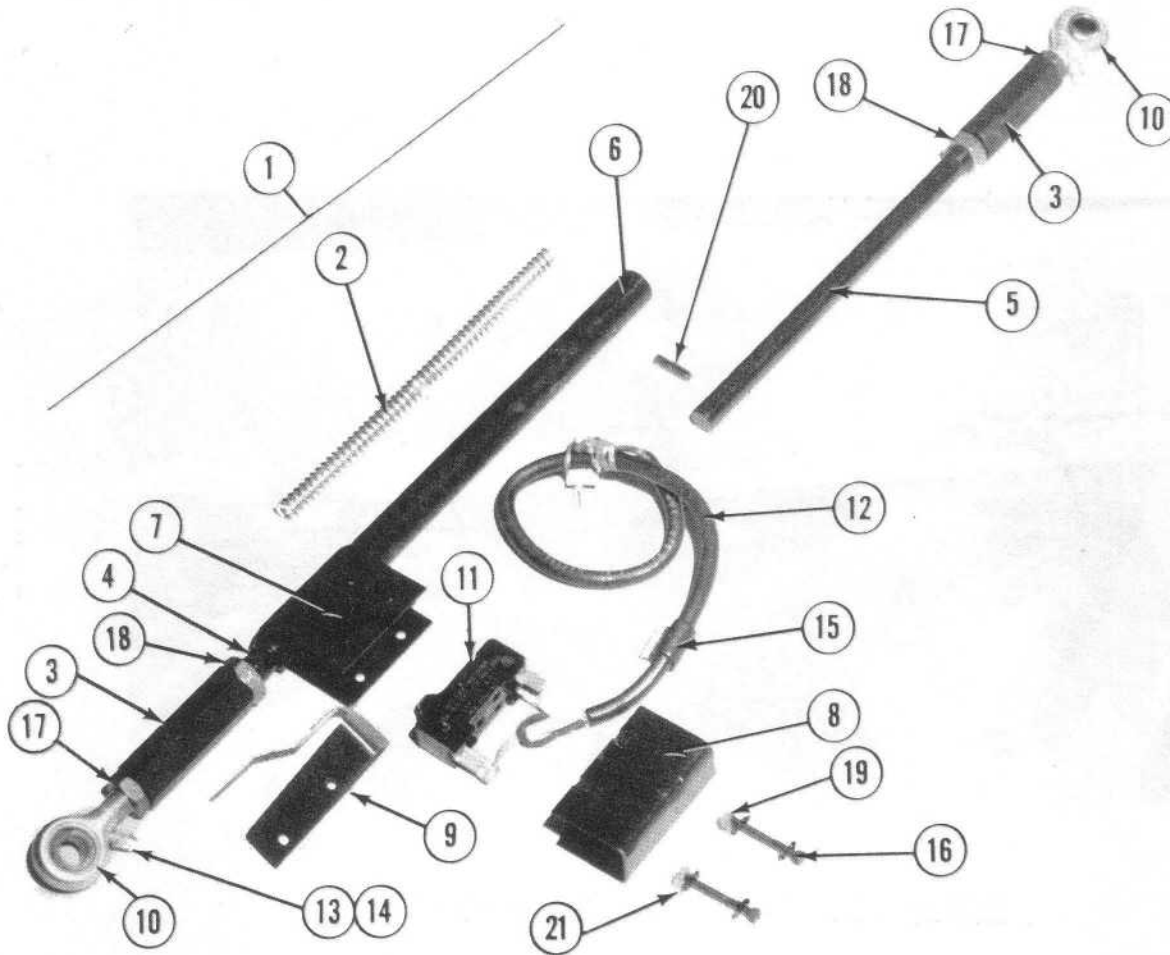
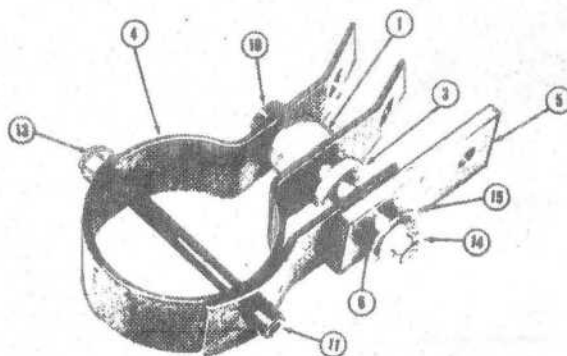
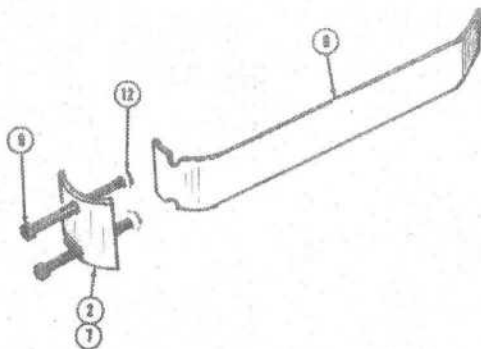


TABLE CONNECTING ROD ASSY.

| <u>ITEM</u> | <u>PART NO.</u> | <u>DESCRIPTION</u> | <u>ITEM</u> | <u>PART NO.</u> | <u>DESCRIPTION</u> |
|-------------|-----------------|-----------------------------|-------------|-----------------|-------------------------------------|
| 1 | 030 007 571 | CONNECTING ROD ASSY. | 12 | 000 026 113 | WIRE ASSY. |
| 2 | 030 007 572 | SPRING | 13 b | 710 502 010 | GREASE FITTING |
| * 2A | 030 001 147 | SPRING (NOT SHOWN) | 14 b | 710 502 011 | GREASE FITTING (8-32 THD) |
| 3 | 030 007 573 | ROD END | 15 b | 724 504 028 | CLAMP |
| 4 | 030 007 575 | SHORT ROD | 16 b | 810 227 200 | SCREW, Soc. Hd. CAP 6-32 X 1 1/4 |
| * 4A | 030 002 276 | LOWER ROD WELD. (NOT SHOWN) | 17 b | 835 570 002 | NUT, HEX JAM 7/16-20 |
| 5 | 030 007 576 | LONG ROD | *17Ab | 835 574 002 | NUT, HEX JAM 1/2-20 |
| * 5A | 030 002 271 | UPPER ROD WELD. (NOT SHOWN) | 18 b | 835 674 002 | NUT, HEX JAM 1/2-20 |
| 6 | 030 007 577 | SPRING RETAINER | 19 b | 840 027 002 | LOCKNUT 6-32 |
| * 6A | 030 002 272 | SPRING RETAINER (NOT SHOWN) | 20 b | 913 437 120 | ROLL PIN .187 X 3/4 |
| 7 b | 030 007 937 | RIVET (NOT SHOWN) | *20Ab | 913 448 280 | ROLL PIN .250 X 1 3/4 |
| * 7Ab | 030 004 753 | BALL (NOT SHOWN) | 21 b | 948 631 062 | WASHER, PLAIN 5/32 X 3/8 X .046 |
| 8 b | 030 008 014 | GUARD | | | |
| 9 b | 030 008 169 | CLIP, LINK ACTUATOR | | | |
| 10 b | 000 025 004 | FITTING, ROD END | | | |
| 11 b | 000 026 043 | SWITCH | | | |
| *11A | 030 004 703 | SWITCH (NOT SHOWN) | | | |

* ITEMS SO NOTED EFFECTIVE TO SERIAL NUMBER 53197
SIMILAR ITEM EFFECTIVE AFTER SERIAL NUMBER 53197
b REFER TO PRICE LIST FOR MINIMUM ORDER QUANTITY AND PRICE.

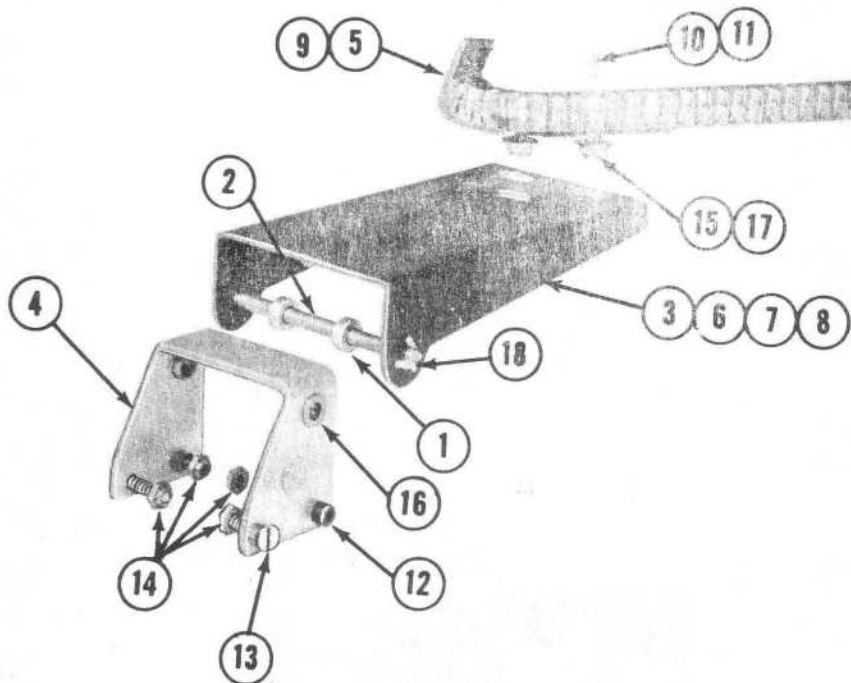


LOWER CONNECTION BRACKETS & PIN DEFLECTOR

| <u>ITEM</u> | <u>PART NO.</u> | <u>DESCRIPTION</u> |
|-------------|-----------------|--|
| 1 b | 030 001 108 | SPACER |
| 2 b | 030 001 216 | CLAMP (EFFECTIVE TO S/N 80799) |
| 3 b | 030 001 218 | SPACER |
| 4 | 030 001 327 | BRACKET ASSY. |
| 5 b | 030 002 362 | LINK |
| 6 b | 030 004 650 | SLEEVE |
| 7 | 030 008 527 | U BOLT (EFFECTIVE AT S/N 80800) |
| 8 | 000 025 063 | PIN DEFLECTOR |
| 9 b | 808 539 320 | SCREW, SOC. BUTTON HD. 10-24 X 2 (EFFECTIVE TO S/N 80799) |
| 10 b | 809 870 445 | SCREW, SOC. HD. CAP 7/16-20 X 2 3/4 |
| 11 b | 810 257 520 | SCREW, SOC. HD. CAP 5/16-18 X 3 1/4 |
| 12 b | 840 039 002 | NUT, SELF LOCKING 10-24 |
| 13 b | 844 057 002 | NUT, SELF LOCKING 5/16-18 |
| 14 b | 844 070 002 | NUT, SELF LOCKING 7/16-20 |
| 15 b | 949 100 002 | WASHER, PLAIN 15/32 X 59/64 X 1/16 |

b REFER TO PRICE LIST FOR MINIMUM ORDER QUANTITY AND PRICE.

TABLE

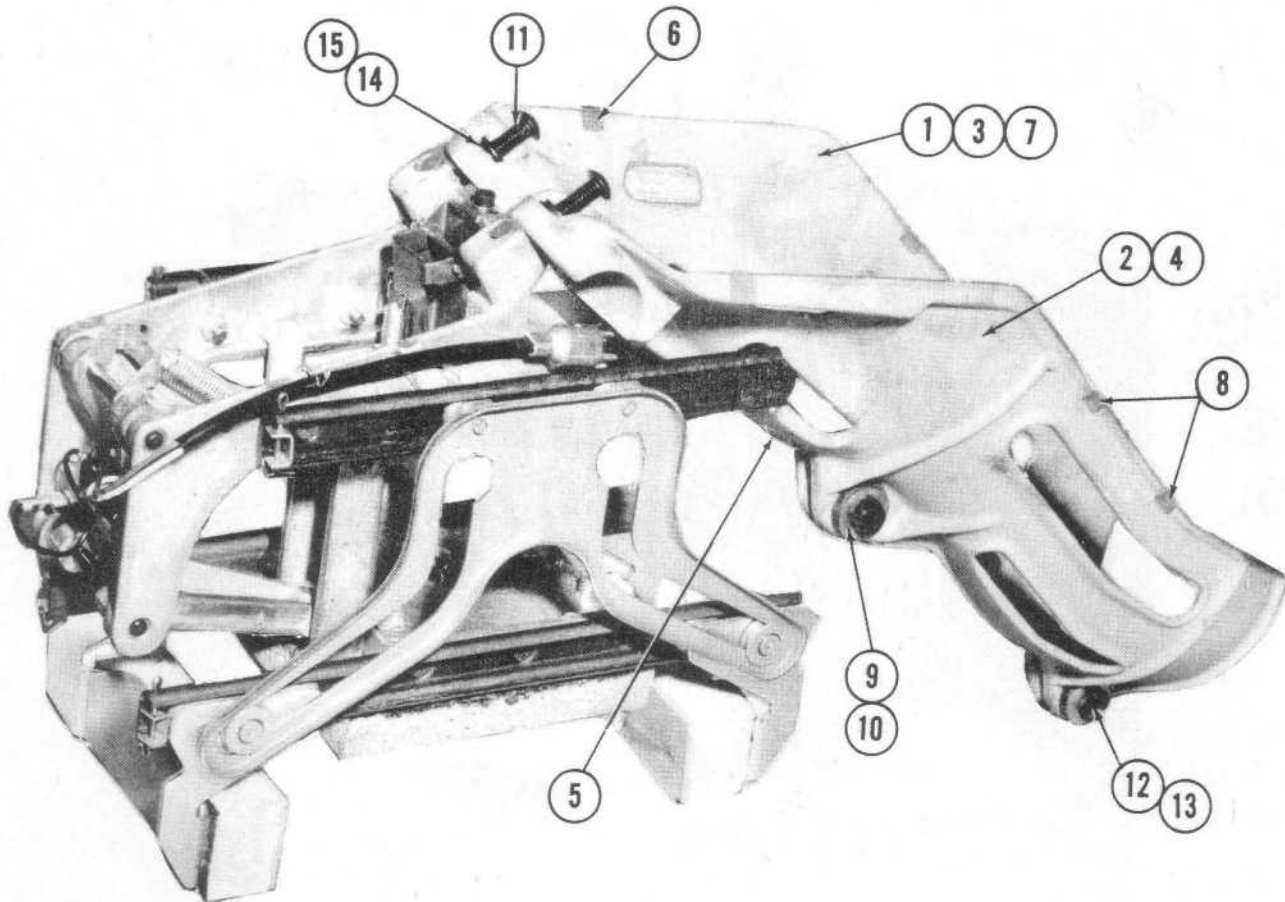


TRACK SUPPORT ASSEMBLY

| <u>ITEM</u> | <u>PART NO.</u> | <u>DESCRIPTION</u> |
|-------------|-----------------|--|
| 1 b | 030 001 174 | SPACER |
| 2 b | 030 001 175 | PIN |
| 3 b | 030 001 177 | TOP BRACKET (USED WITH 030 003 436) |
| 4 | 030 001 506 | BRACKET ASSY. |
| 5 | 030 003 436 | DIST. TRACK (WITH EAR STOPS) |
| 6 | 030 006 870 | TOP BRACKET ASSY. (EFFECTIVE 41198 TO 64022) |
| 7 | 030 008 089 | TOP BRACKET (EFFECTIVE MACH S/N 64023) (#4-6 RESPOT CELLS ONLY) |
| 8 b | 030 008 309 | TOP BRACKET (EFFECTIVE MACH S/N 64023) (#1 RESPOT CELL ONLY) |
| 9 | 030 008 310 | DIST. TRACK (WITHOUT EAR STOPS) |
| 10 b | 808 850 100 | SCREW, FL. Soc. Hd. 1/4-28 X 5/8 (#2 SHAFT POSITION ONLY) |
| 11 b | 808 850 120 | SCREW, FL. Soc. Hd. 1/4-28 X 3/4 |
| 12 b | 810 239 080 | SCREW, Soc. Hd. CAP 10-24 X 1/2 |
| 13 b | 812 039 162 | SCREW, FL. Hd. 10-24 X 1 |
| 14 b | 840 039 002 | LOCKNUT 10-24 |
| 15 b | 840 050 002 | LOCKNUT 1/4-28 |
| 16 b | 900 204 061 | BEARING |
| 17 b | 948 753 102 | WASHER, PLAIN 9/32 X 5/8 X 1/16 |
| 18 b | 963 200 002 | X WASHER |

b REFER TO PRICE LIST FOR MINIMUM ORDER QUANTITY AND PRICE.

RESPOT CELL

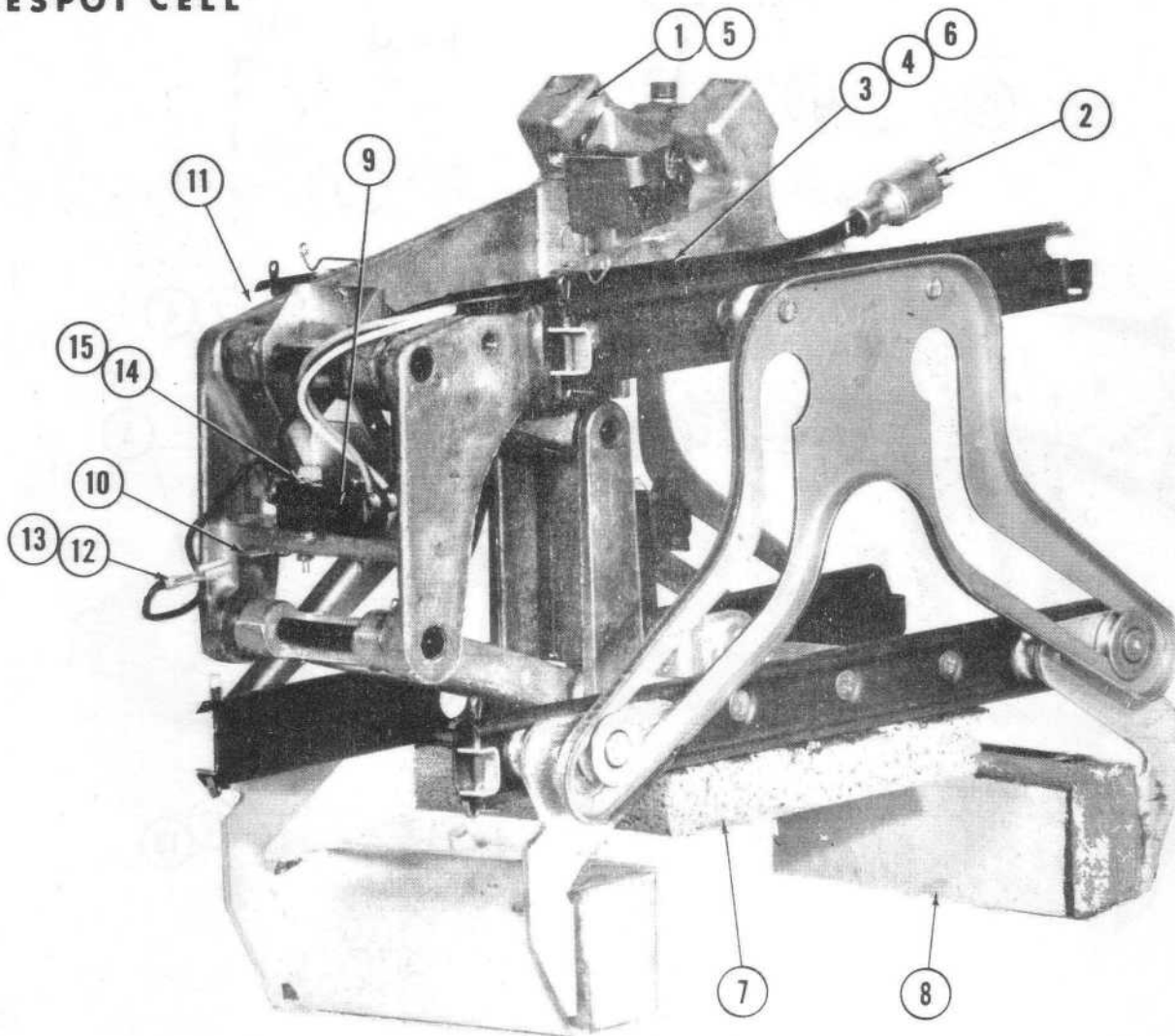


SPOT-RESPOT CELL MECHANISM

| <u>ITEM</u> | <u>PART NO.</u> | <u>DESCRIPTION</u> |
|-------------|-----------------|---------------------------------------|
| 1 | 030 002 864 | CUP, R.H. HALF |
| 2 | 030 002 865 | CUP, L.H. HALF |
| 3 b | 030 007 634 | CUP LINER R.H. |
| 4 b | 030 007 635 | CUP LINER L.H. |
| 5 b | 030 007 688 | LINER RETAINING TUBE (NOT SHOWN) |
| 6 b | 030 007 849 | CLIP, LINER (LONG) |
| 7 | 030 007 901 | SPOTTING CUP ASSY. (WITH LINERS) |
| 8 b | 030 008 235 | CLIP, LINER (SHORT) |
| 9 b | 000 022 868 | RUBBER SPACER |
| 10 b | 000 022 869 | WASHER |
| 11 b | 808 557 240 | SCREW, BUTTON HD. CAP 5/16-18 X 1 1/2 |
| 12 b | 809 866 325 | SCREW, HEX HD. CAP 3/8-24 X 2 |
| 13 b | 844 066 002 | NUT SELF LOCKING 3/8-24 |
| 14 b | 948 761 112 | WASHER, PLAIN 11/32 X 11/16 X 1/16 |
| 15 | 951 156 002 | LOCK WASHER 5/16 |

b REFER TO PRICE LIST FOR MINIMUM ORDER QUANTITY AND PRICE.

RESPOT CELL

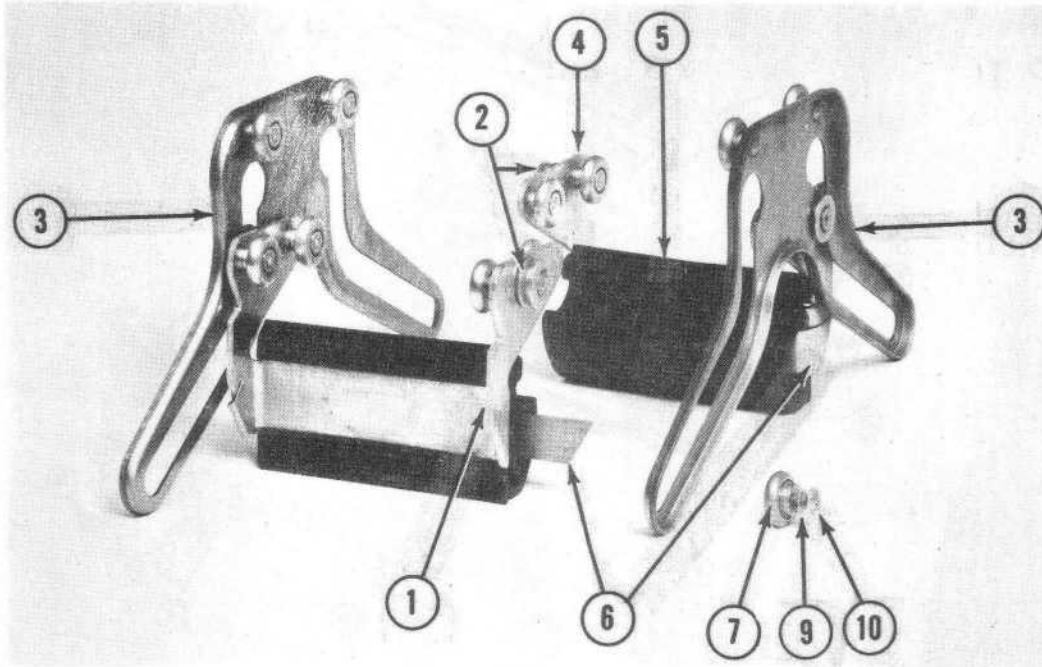


RESPOT CELL

| <u>ITEM</u> | <u>PART NO.</u> | <u>DESCRIPTION</u> |
|-------------|-----------------|---|
| 1 | 030 001 203 | RESPOT CELL ASSY. (2, 3, 5, 7, 8, 9, 10) |
| 2 b | 030 004 732 | PLUG |
| 3 | 030 006 546 | WIRE ONLY (CELLS 2, 3, 5) |
| 4 b | 030 006 548 | WIRE ONLY (CELLS 1, 4, 6, 7, 8, 9, 10) |
| 5 | 030 007 015 | RESPOT CELL ASSY. (CELLS 1, 4, 6) (NOT SHOWN) |
| 6 | 030 008 346 | CELL WIRE ASSY. |
| 7 | 030 008 513 | PAD |
| 8 b | 030 008 514 | GRIPPER PAD |
| 9 b | 000 024 717 | SWITCHETTE |
| 10 b | 760 010 072 | TAB TERMINAL (GROUND) |
| 11 b | 760 014 006 | LUG TERMINAL |
| 12 b | 760 017 036 | TERMINAL |
| 13 | 764 002 006 | WIRE, STRANDED |
| 14 b | 812 813 162 | SCREW (FOR SWITCHETTE) 2-56 X 1 |
| 15 b | 834 513 002 | NUT (FOR SWITCHETTE) 2-56 |

b REFER TO PRICE LIST FOR MINIMUM ORDER QUANTITY AND PRICE.

RESPOT CELL



RESPOT CELL

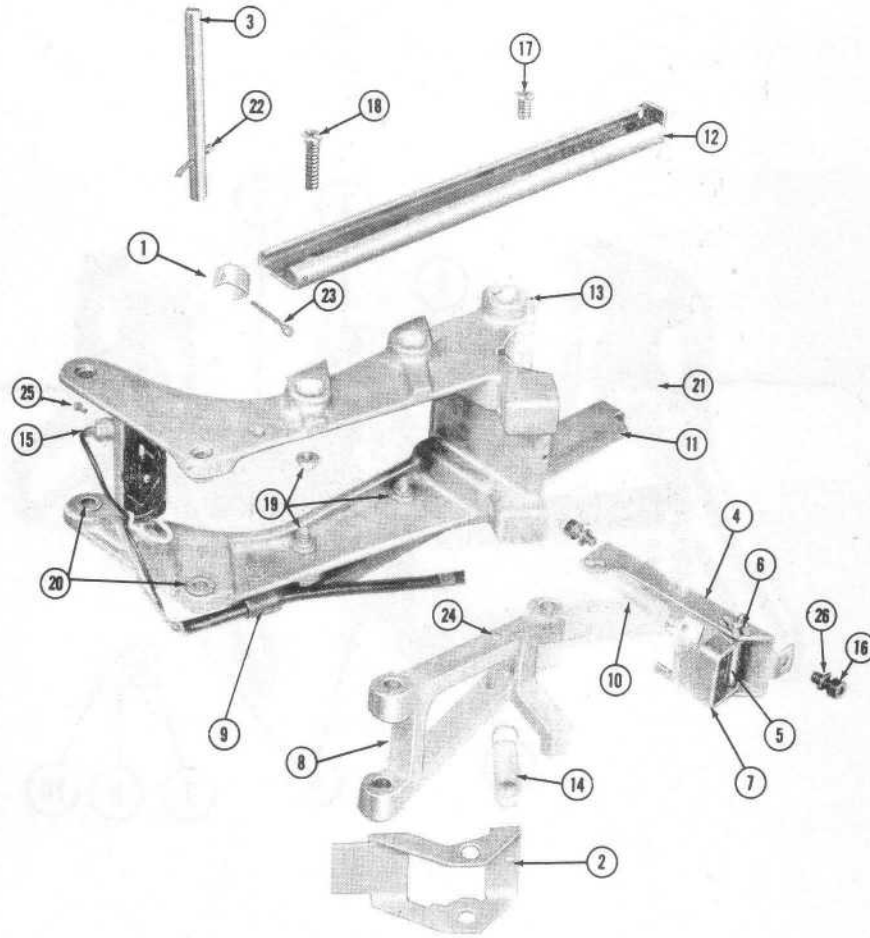
| <u>ITEM</u> | <u>PART NO.</u> | <u>DESCRIPTION</u> |
|-------------|-----------------|--|
| 1 | 030 001 117 | Gripper |
| 2b | 030 003 896 | Bearing (Riveted) |
| 3b | 030 005 284 | Track Carrier Assembly |
| 4b | 030 008 370 | Gripper Assembly |
| 5b | 030 008 542 | Gripper Pad (Extruded Rubber) |
| 6b | 030 008 801 | Strap |
| 7b | 000 026 251 | Bearing (Roller)(Threaded, for Field Use Only) |
| 8 | 008 100 413 | Adhesive (Not Shown) |
| 9b | 813 540 082 | Screw 10-32 x $\frac{1}{2}$ |
| 10b | 957 100 002 | Washer, Star #1110-00 |

NOTE

1. Bond Gripper Pad to Gripper with adhesive, insert strap thru Gripper Pad and crimp both ends of strap over edges of Gripper to hold Gripper Pad securely.

b Refer to Price List for minimum order quantity and price.

RESPOT CELL

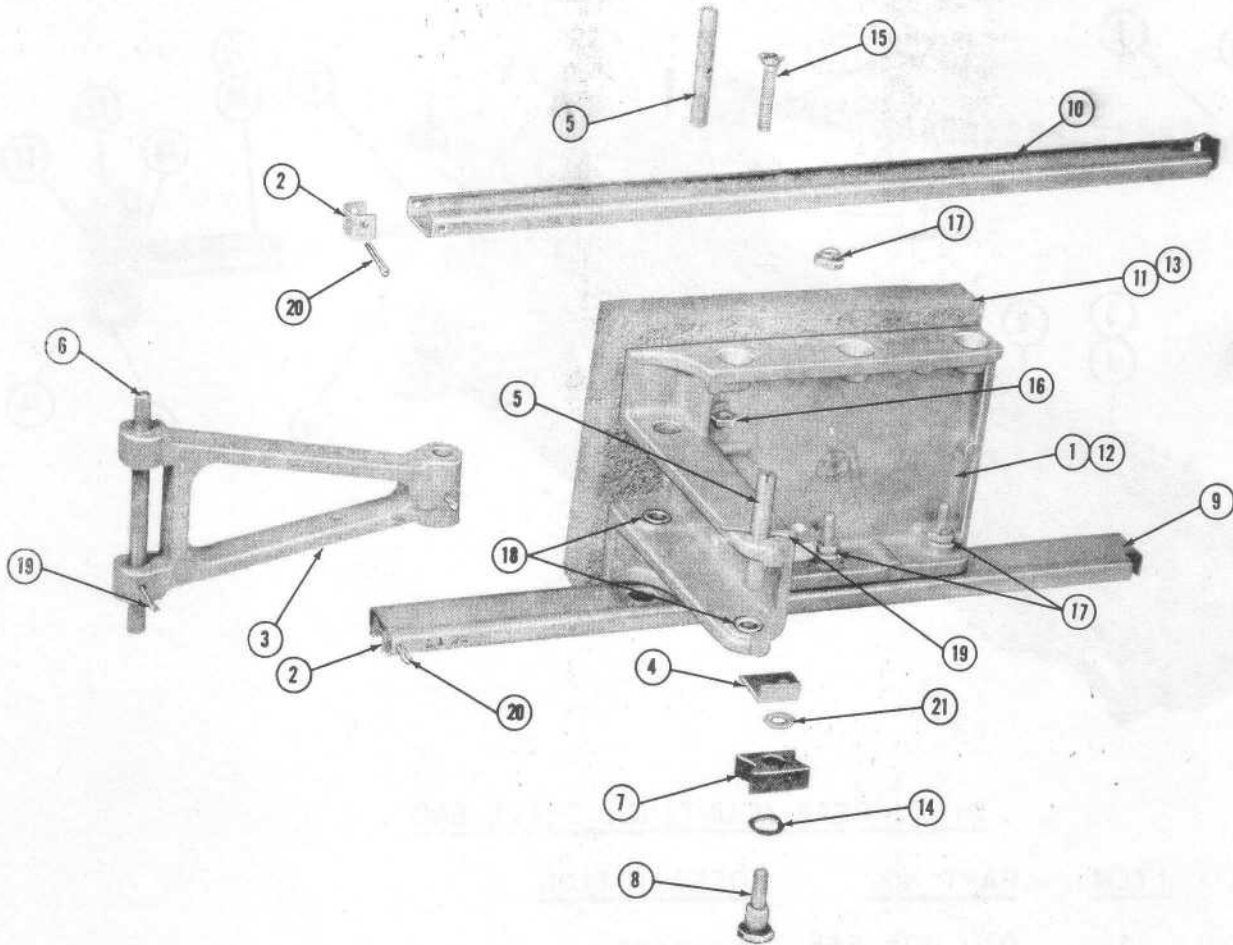


RESPOT SUPPORT & UPPER TRACK

| <u>ITEM</u> | <u>PART NO.</u> | <u>DESCRIPTION</u> | <u>ITEM</u> | <u>PART NO.</u> | <u>DESCRIPTION</u> |
|-------------|-----------------|-----------------------|-------------|-----------------|--------------------------------|
| 1 b | 030 001 122 | STOP | 15 b | 760 017 036 | TERMINAL |
| 2 | 030 001 170 | SWITCH ARM | 16 b | 810 239 060 | SCREW, SOU. HD. 10-24 X 3/8 |
| 3 b | 030 001 172 | PIN | 17 b | 811 939 082 | SCREW, FL. PH. HD. 10-24 X 1/2 |
| 4 | 030 001 333 | BRACKET | 18 b | 811 939 162 | SCREW, FL. PH. HD. 10-24 X 1 |
| 5 b | 030 001 336 | PIN | 19 b | 840 039 002 | LOCKNUT 10-24 |
| 5 b | 030 001 358 | X WASHER | 20 b | 900 204 061 | BEARING |
| 7 | 030 002 787 | TRIP | 21 b | 907 001 100 | KEY |
| 8 | 030 002 803 | ARM | 22 b | 911 007 122 | COTTER PIN 1/16 X 3/4 |
| 9 b | 030 003 363 | CLIP | 23 b | 911 015 202 | COTTER PIN 3/32 X 1 1/4 |
| 10 b | 030 003 451 | SPRING, RESPOT LATCH | 24 b | 912 123 200 | GROOVE PIN |
| 11 b | 030 005 263 | TRACK, L.H. UPPER | 25 b | 925 023 080 | RIVET |
| 12 b | 030 005 264 | TRACK, R.H. UPPER | 26 b | 951 138 000 | LOCK WASHER #10 |
| 13 | 030 008 636 | SUPPORT ASSY. | | | |
| 14 b | 000 029 508 | SPRING, RESPOT SWITCH | | | |

b REFER TO PRICE LIST FOR MINIMUM ORDER QUANTITY AND PRICE.

RESPOT CELL



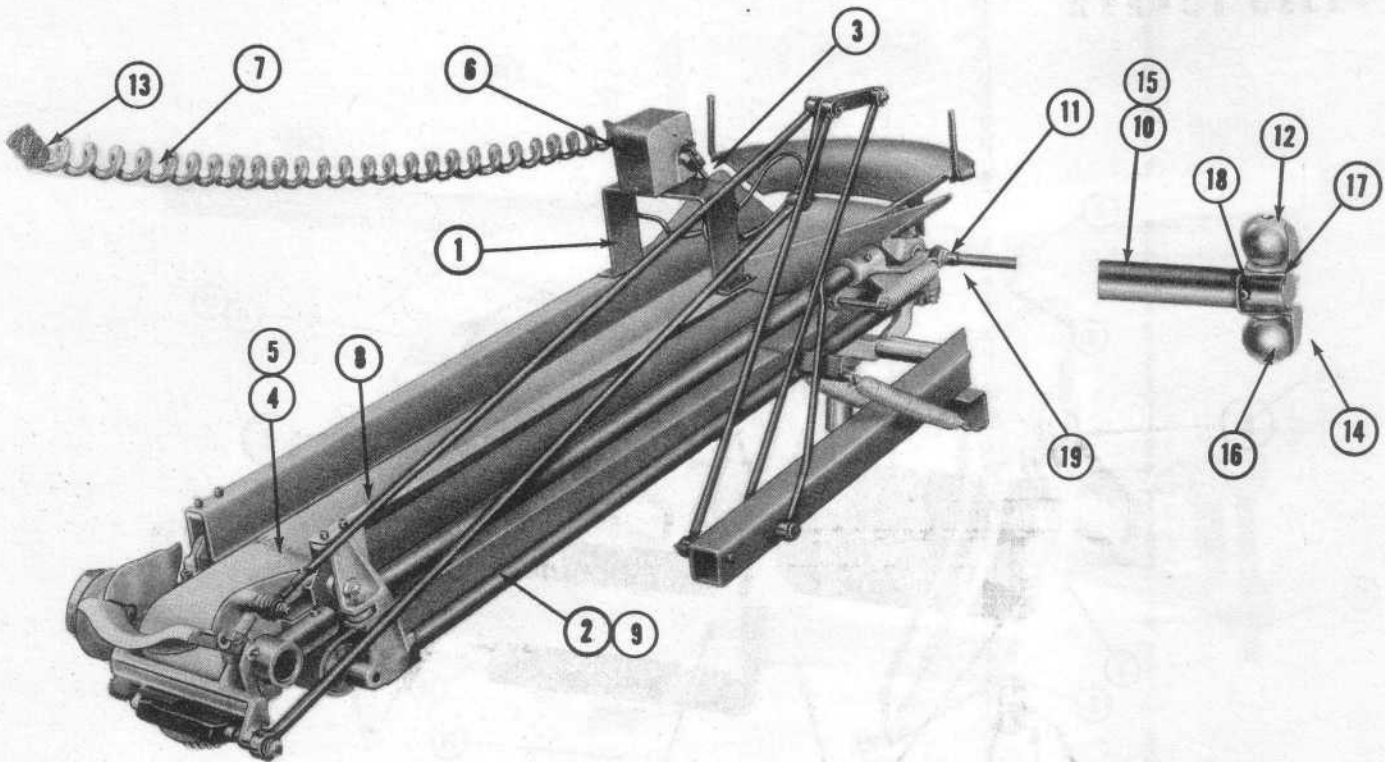
RESPOT PAD & LOWER TRACK ASSY.

| <u>ITEM</u> | <u>PART NO.</u> | <u>DESCRIPTION</u> | <u>ITEM</u> | <u>PART NO.</u> | <u>DESCRIPTION</u> |
|-------------|-----------------|---------------------------------|-------------|-----------------|-------------------------------------|
| 1 | 030 001 104 | CASTING & PAD ASSY. (SPONGE) | 12 | 030 008 369 | CASTING & PAD ASSY. (RUBBER) |
| 2 b | 030 001 122 | STOP | 13 | 030 008 513 | PAD (SPONGE) |
| 3 | 030 001 150 | ARM | 14 b | 000 024 926 | SPRING TENSION WASHER |
| 4 b | 030 001 160 | ANGLE | 15 b | 811 939 122 | SCREW, FL. PH. HD. 10-24 X 3/4 |
| 5 b | 030 001 171 | PIN | 16 b | 840 039 002 | LOCKNUT 10-24 |
| 6 b | 030 001 172 | PIN | 17 b | 840 040 002 | LOCKNUT 10-32 |
| 7 | 030 002 784 | LATCH | 18 b | 900 104 041 | BEARING |
| 8 b | 030 002 785 | STUB | 19 b | 911 007 122 | COTTER PIN 1/16 X 3/4 |
| 9 b | 030 005 261 | TRACK L.H. LOWER | 20 b | 911 015 202 | COTTER PIN 3/32 X 1 1/4 |
| 10 b | 030 005 262 | TRACK R.H. LOWER | 21 | 948 545 072 | WASHER, PLAIN 7/32 X 7/16 X .032 |
| 11 b | *030 008 352 | PAD (RUBBER) | | | |

b REFER TO PRICE LIST FOR MINIMUM ORDER QUANTITY AND PRICE.

* USE ONLY WITH 030 008 542 GRIPPER PAD (SEE PAGE 37)

DISTRIBUTOR



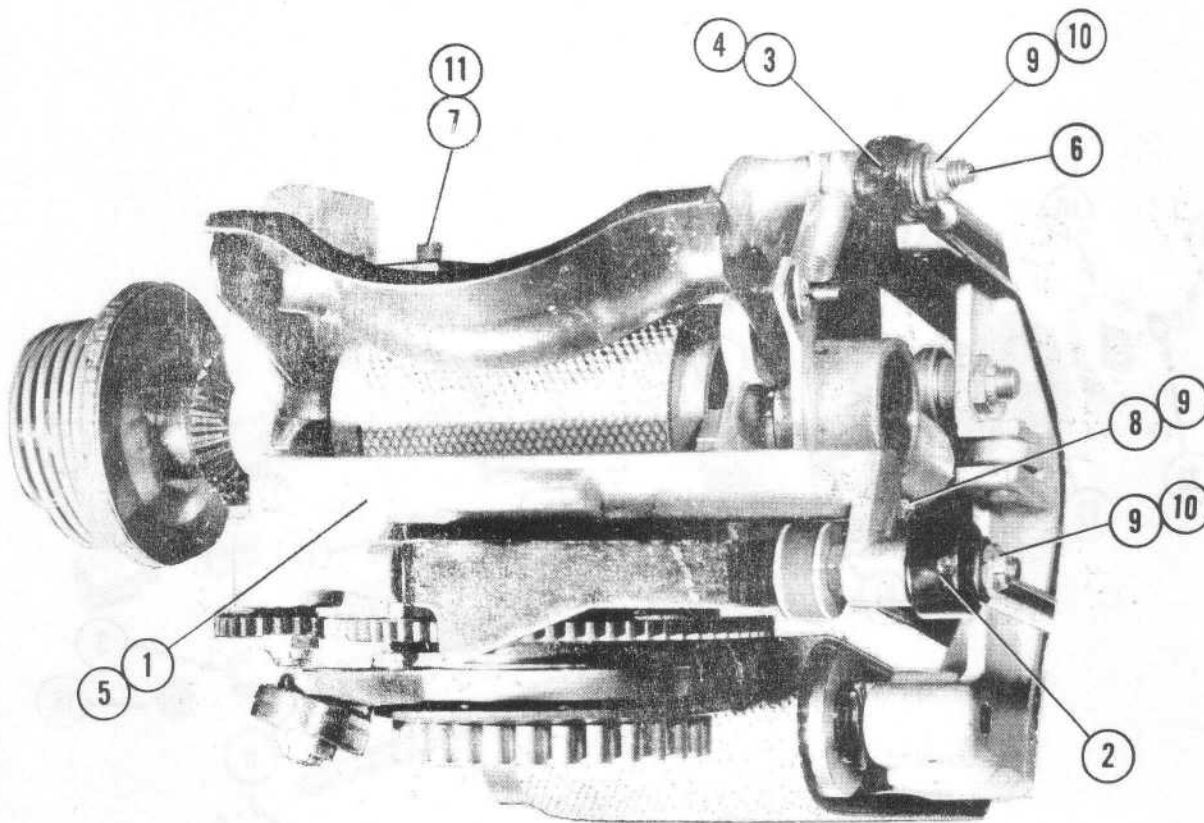
DIST. REAR MOUNTING, DRIVE END

| <u>ITEM</u> | <u>PART NO.</u> | <u>DESCRIPTION</u> |
|-------------|-----------------|----------------------------------|
| 1 | 030 001 536 | BRACKET |
| 2 | 030 004 495 | DIST. ASSY. (NYLON DRIVE GEAR) |
| 3 | 030 004 766 | PADDLE ASSY. |
| 4 | 030 005 660 | PIN, DISTRIBUTOR BELT |
| 5 b | 030 005 661 | HOOKS LACING, DIST. BELT |
| 6 | 030 005 838 | COUNTER & CORD ASSY. |
| 7 | 030 006 006 | CORD & PLUG ASSY. |
| 8 | 030 007 633 | DIST. BELT ASSY. |
| 9 | 030 008 106 | DIST. ASSY. (METAL DRIVE GEAR) |
| 10 | 000 022 369 | SHAFT |
| 11 | 000 022 370 | UNIVERSAL JOINT |
| 12 b | 000 022 717 | PIN |
| 13 * | 000 024 715 | PLUG (EFFECTIVE S/N 3318 AND UP) |
| 14 | 000 024 892 | BALL RETAINER CLIP |
| 15 | 000 024 893 | DRIVE SHAFT ASSY. |
| 16 | 000 026 461 | BALL BEARING |
| 17 | 000 029 073 | WASHER |
| 18 b | 913 423 120 | ROLL PIN |
| 19 b | 913 437 120 | ROLL PIN |

* SEE PAGE 129 FOR PLUG PRIOR TO S.N. 3318

b REFER TO PRICE LIST FOR MINIMUM ORDER QUANTITY AND PRICE.

DISTRIBUTOR

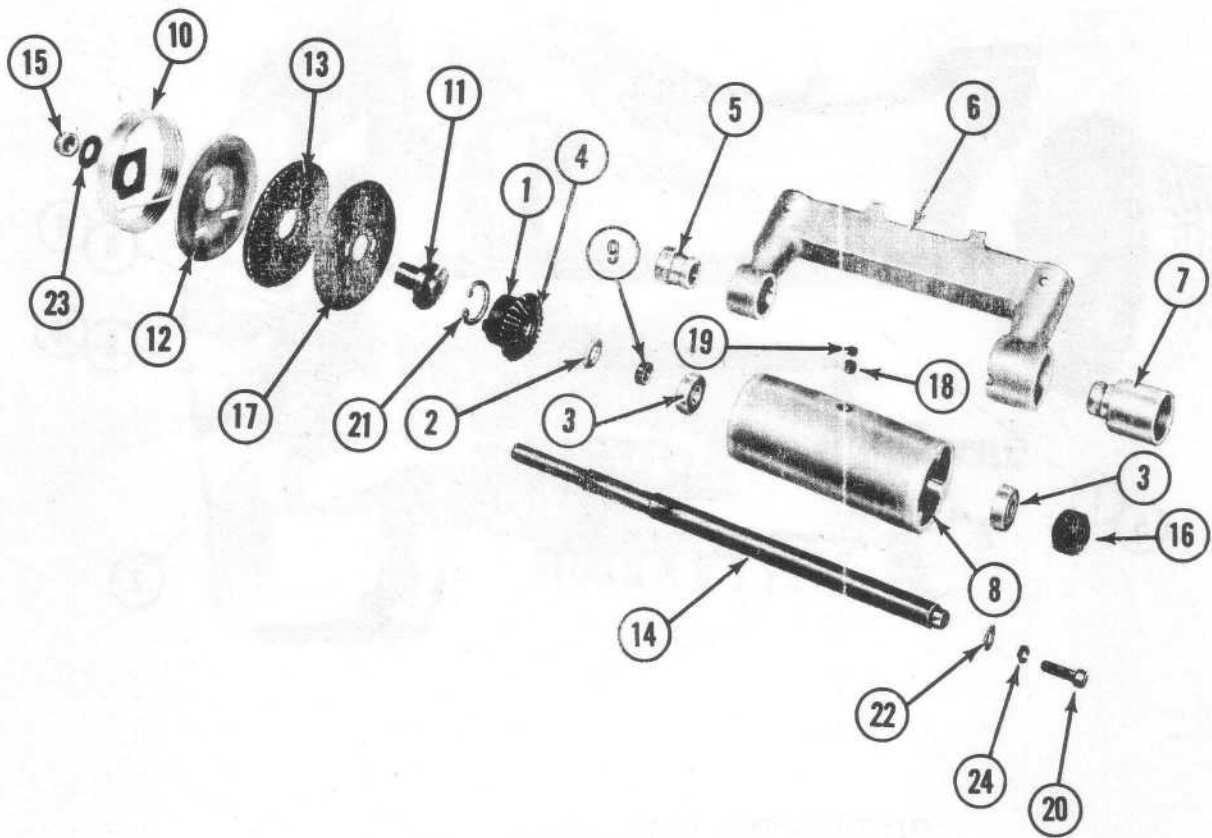


DISTRIBUTOR HEAD ASSY.

| <u>ITEM</u> | <u>PART NO.</u> | <u>DESCRIPTION</u> |
|-------------|-----------------|---|
| 1 | 030 004 494 | DISTRIBUTOR HEAD ASSY. (NYLON GEAR DRIVE) |
| 2 | 030 007 340 | TIE ROD ASSY. (LOWER) |
| 3 | 030 007 348 | TIE ROD ASSY. (UPPER) |
| 4 b | 030 007 356 | SPACER |
| 5 | 030 008 345 | DIST. HEAD ASSY. (METAL GEAR DRIVE) |
| 6 b | 808 550 360 | SCREW, BUTTON SOC. HD. CAP 1/4-28 X 2 1/4 |
| 7 b | 810 239 060 | SCREW, SOC. HD. CAP 10-24 X 3/8 |
| 8 b | 810 250 220 | SCREW, SOC. HD. CAP 1/4-28 X 1 3/8 |
| 9 b | 840 050 002 | NUT SELF LOCKING 1/4-28 |
| 10 b | 948 753 102 | WASHER, PLAIN 9/32 X 5/8 X 1/16 |
| 11 b | 951 138 000 | LOCK WASHER #10 |

b REFER TO PRICE LIST FOR MINIMUM ORDER QUANTITY AND PRICE.

DISTRIBUTOR

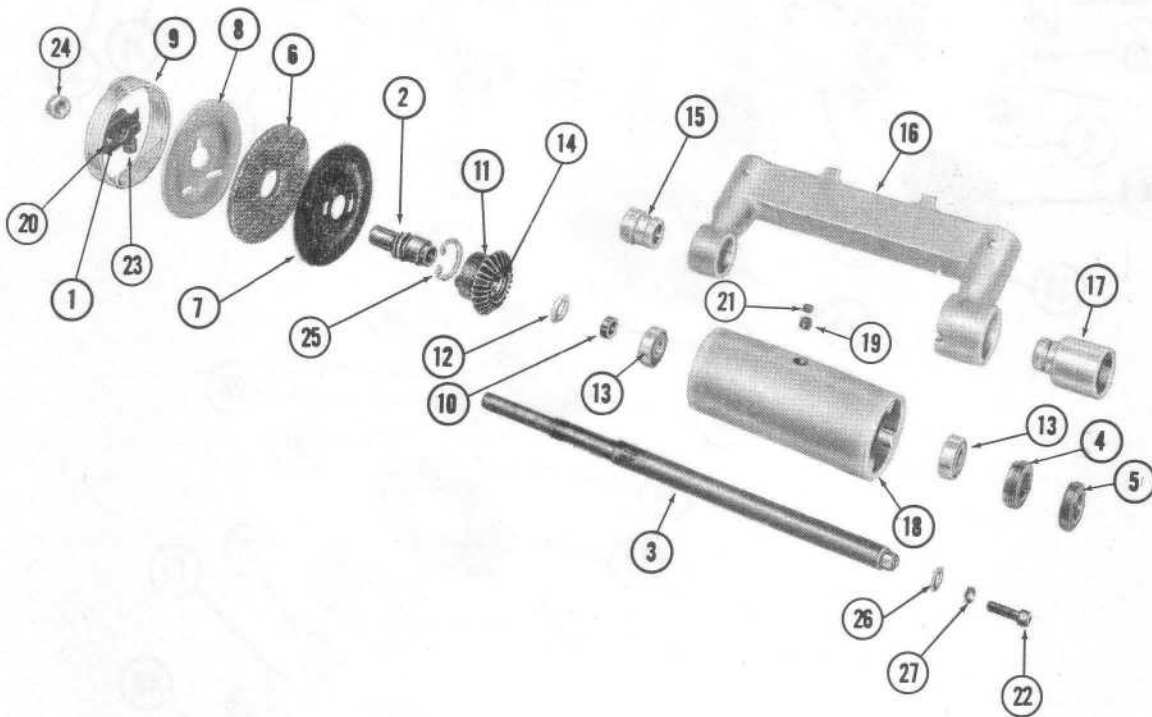


CLUTCH DISTRIBUTOR DRIVE

| <u>ITEM</u> | <u>PART NO.</u> | <u>DESCRIPTION</u> | <u>ITEM</u> | <u>PART NO.</u> | <u>DESCRIPTION</u> |
|-------------|-----------------|--------------------|-------------|-----------------|---------------------------------------|
| 1 | 000 022 062 | BEVEL GEAR | 15 b | 000 028 267 | NUT, L.H. THD. |
| 2 b | 000 022 385 | ADJUSTABLE SPACER | 16 b | 000 028 307 | LOCK SCREW, HOLLOW |
| 3 b | 000 024 736 | BEARING | 17 b | 000 028 316 | FRICTION FLANGE |
| 4 | 000 024 981 | BEARING | 18 b | 807 249 040 | SET SCREW, CUP PT. 1/4-20 X 1/4 |
| 5 b | 000 025 669 | BUSHING | 19 b | 808 149 022 | SET SCREW, LOCKING 1/4-20 X 1/8 |
| 6 | 000 025 671 | TRACK PIVOT | 20 b | 810 240 100 | SCREW, SOC. HD. CAP 10-32 X 5/8 |
| 7 | 000 025 673 | BUSHING | 21 b | 919 000 300 | RETAINER RING |
| 8 | 000 025 711 | ROLLER | 22 b | 948 745 082 | WASHER, PLAIN 7/32 X 1/2 X 1/16 |
| 9 b | 000 025 725 | SLEEVE | 23 | 948 767 132 | WASHER, PLAIN 13/32 X 13/16 X 1/16 |
| 10 | 000 028 237 | SPRING ASSY. | 24 b | 951 138 000 | LOCK WASHER #10 |
| 11 b | 000 028 238 | FRICTION PLATE CAM | | | |
| 12 b | 000 028 239 | FRICTION PLATE | | | |
| 13 | 000 028 240 | FRICTION DISC | | | |
| 14 | 000 028 241 | SHAFT | | | |

b REFER TO PRICE LIST FOR MINIMUM ORDER QUANTITY AND PRICE.

DISTRIBUTOR

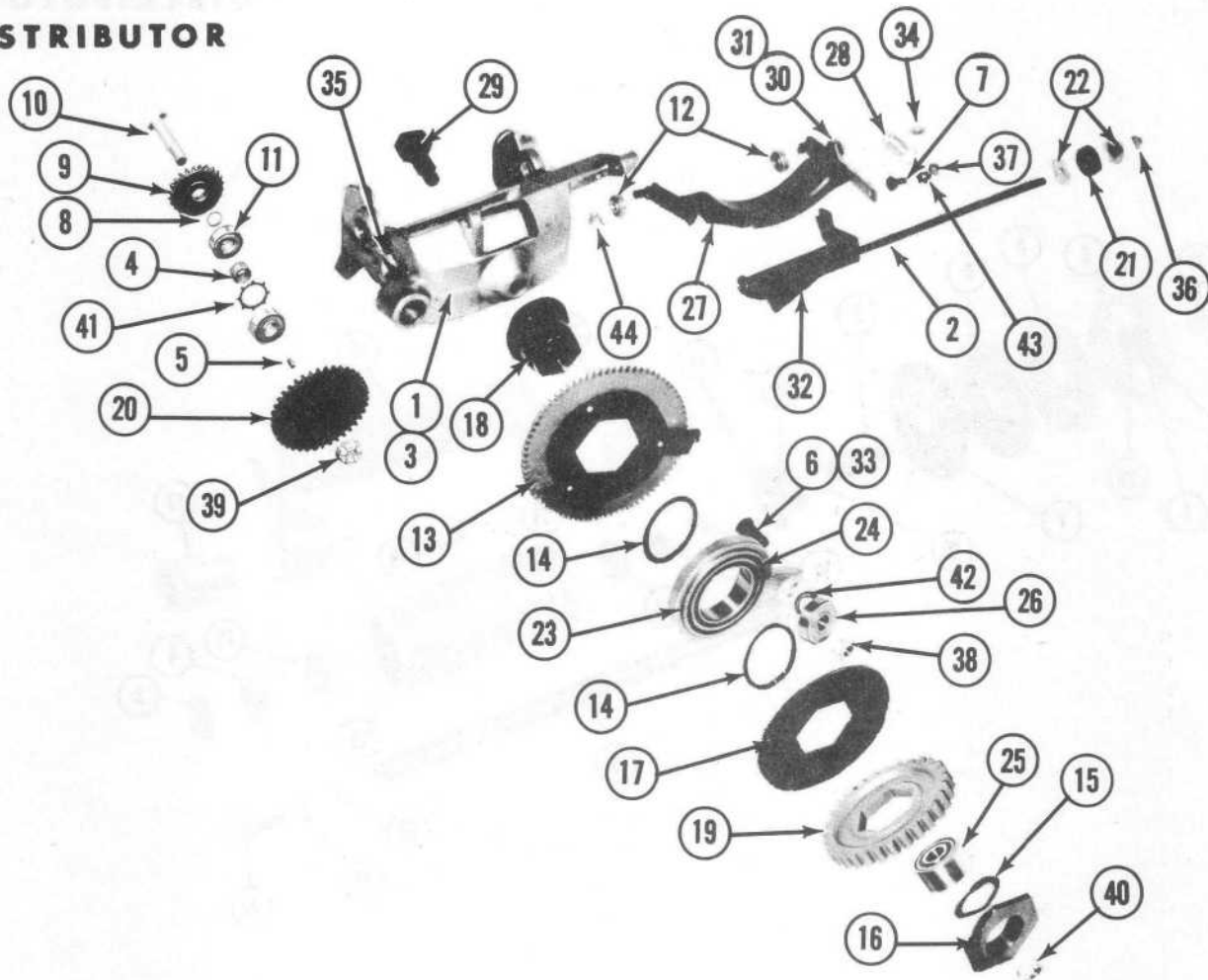


CLUTCH - DISTRIBUTOR DRIVE

| <u>ITEM</u> | <u>PART NO.</u> | <u>DESCRIPTION</u> | <u>ITEM</u> | <u>PART NO.</u> | <u>DESCRIPTION</u> |
|-------------|-----------------|----------------------|-------------|-----------------|-------------------------------------|
| 1 | 030 005 668 | SPRING TENSION BLOCK | 17 | b 000 025 673 | BUSHING |
| 2 | 030 005 670 | WORM CLUTCH | 18 | 000 025 711 | ROLLER |
| 3 | 030 005 672 | CLUTCH SHAFT | 19 | b 807 249 040 | SET SCREW 1/4-20 X 1/4 |
| 4 | 030 005 674 | NUT | 20 | 807 339 040 | SET SCREW 10-24 X 1/4 |
| 5 | 030 005 675 | JAM NUT | 21 | b 808 149 022 | SET SCREW, LOCKING 1/4-20 X 1/8 |
| 6 | b 030 005 721 | FRICTION DISK | 22 | b 810 240 100 | SCREW, Soc. Hd. CAP 10-32 X 5/8 |
| 7 | 030 005 722 | FRICTION FLANGE | 23 | b 810 250 120 | SCREW, Soc. Hd. CAP 1/4-28 X 3/4 |
| 8 | 030 005 723 | FRICTION FLANGE | 24 | b 844 066 002 | LOCKNUT 3/8-24 |
| 9 | b 030 005 724 | CLUTCH SPRING | 25 | b 919 000 300 | RETAINER RING |
| 10 | 030 005 725 | SLEEVE | 26 | b 948 745 082 | WASHER, PLAIN 7/32 X 1/2 X 1/16 |
| 11 | 000 022 062 | BEVEL GEAR | 27 | b 951 138 000 | LOCK WASHER #10 |
| 12 | b 000 022 385 | ADJUSTABLE SPACER | | | |
| 13 | b 000 024 736 | BEARING | | | |
| 14 | 000 024 981 | BEARING | | | |
| 15 | b 000 025 669 | BUSHING | | | |
| 16 | 000 025 671 | TRACK PIVOT | | | |

b REFER TO PRICE LIST FOR MINIMUM ORDER QUANTITY AND PRICE.

DISTRIBUTOR

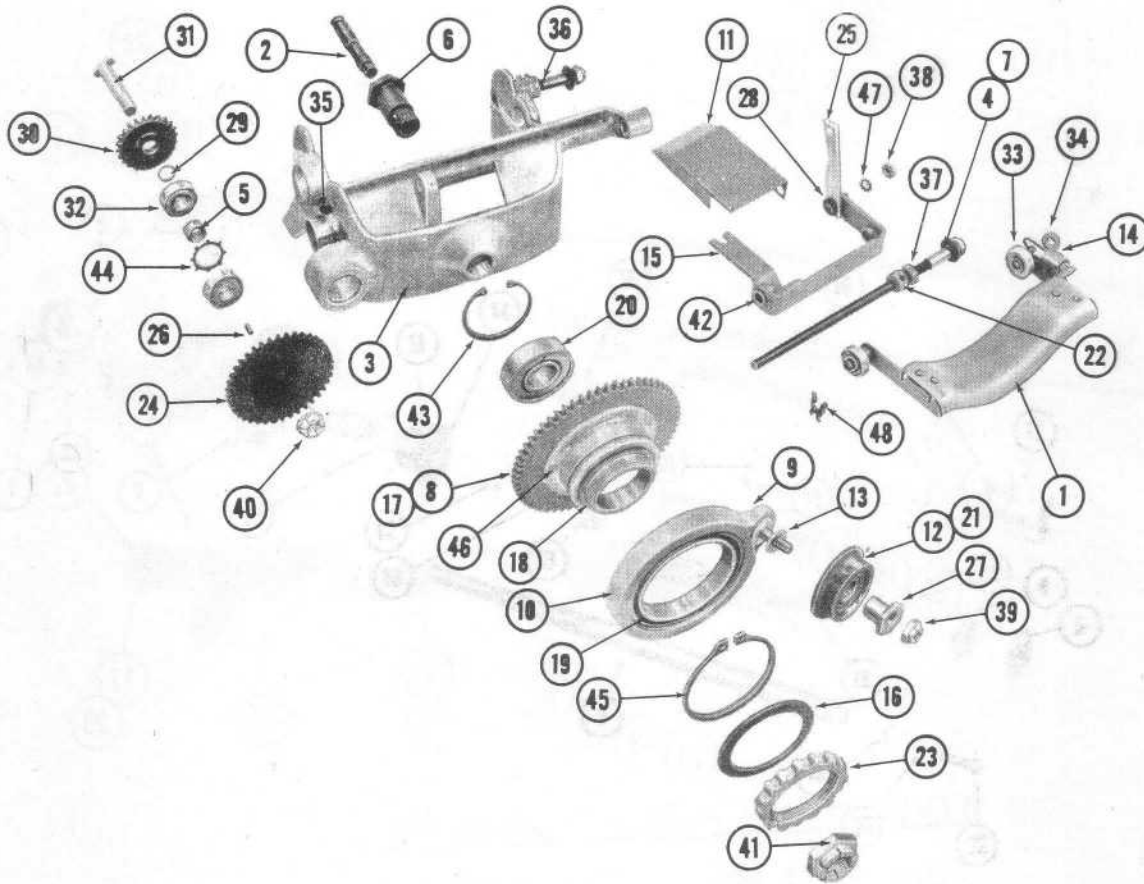


INDEX MECHANISM - DISTRIBUTOR DRIVE

| ITEM | PART NO. | DESCRIPTION | ITEM | PART NO. | DESCRIPTION |
|------|---------------|--|------|---------------|------------------------------|
| 1 | 030 006 846 | HEAD CASTING | 23 | 000 026 868 | HOUSING |
| 2 | b 030 007 133 | SHAFT | 24 | 000 026 872 | BEARING |
| 3 | 030 008 345 | DIST. HEAD ASSY. (METAL GEAR DRIVE) | 25 | 000 026 873 | BEARING |
| 4 | b 000 022 070 | SPACER | 26 | 000 026 874 | BEARING |
| 5 | b 000 022 174 | KEY | 27 | 000 026 878 | INDEX LEVER ASSY. |
| 6 | b 000 023 194 | BUSHING | 28 | b 000 026 880 | SPRING |
| 7 | b 000 023 753 | BOLT, ECCENTRIC | 29 | b 000 027 115 | SHOULDER SCREW |
| 8 | b 000 023 913 | SPACER | 30 | b 000 027 370 | LINK |
| 9 | 000 024 635 | GEAR | 31 | b 000 027 384 | BEARING, FLANGE |
| 10 | 000 024 636 | PIN | 32 | 000 027 403 | TRIP ARM ASSY. |
| 11 | b 000 024 736 | BEARING | 33 | b 000 027 551 | PIN, BEARING |
| 12 | 000 024 739 | BEARING | 34 | b 724 509 007 | SPEED NUT |
| 13 | b 000 026 852 | GEAR ASSY. | 35 | b 807 339 060 | SET SCREW, CUP PT. 10-24x3/8 |
| 14 | b 000 026 854 | WASHER, BEARING | 36 | b 835 550 002 | NUT, HEX JAM 1/4-28 |
| 15 | 000 026 855 | WASHER, SPRING | 37 | b 840 040 002 | NUT, SELF LOCKING 10-32 |
| 16 | 000 026 857 | NUT, RETAINING | 38 | b 844 050 002 | NUT, SELF LOCKING 1/4-28 |
| 17 | b 000 026 860 | WASHER, CUP | 39 | b 844 066 002 | NUT, SELF LOCKING 3/8-24 |
| 18 | 000 026 861 | HUB | 40 | b 844 066 002 | NUT, SELF LOCKING 3/8-24 |
| 19 | 000 026 862 | GEAR, HEAD DRIVE | 41 | b 919 003 100 | RETAINER RING |
| 20 | 000 026 863 | GEAR | 42 | b 945 056 122 | WASHER 5/16 X 3/4 X 3/64 |
| 21 | b 000 026 864 | SHOCK ABSORBER | 43 | b 957 100 002 | LOCK WASHER #1110-00 |
| 22 | b 000 026 865 | WASHER | 44 | b 963 200 002 | X WASHER |

b REFER TO PRICE LIST FOR MINIMUM ORDER QUANTITY AND PRICE.

DISTRIBUTOR

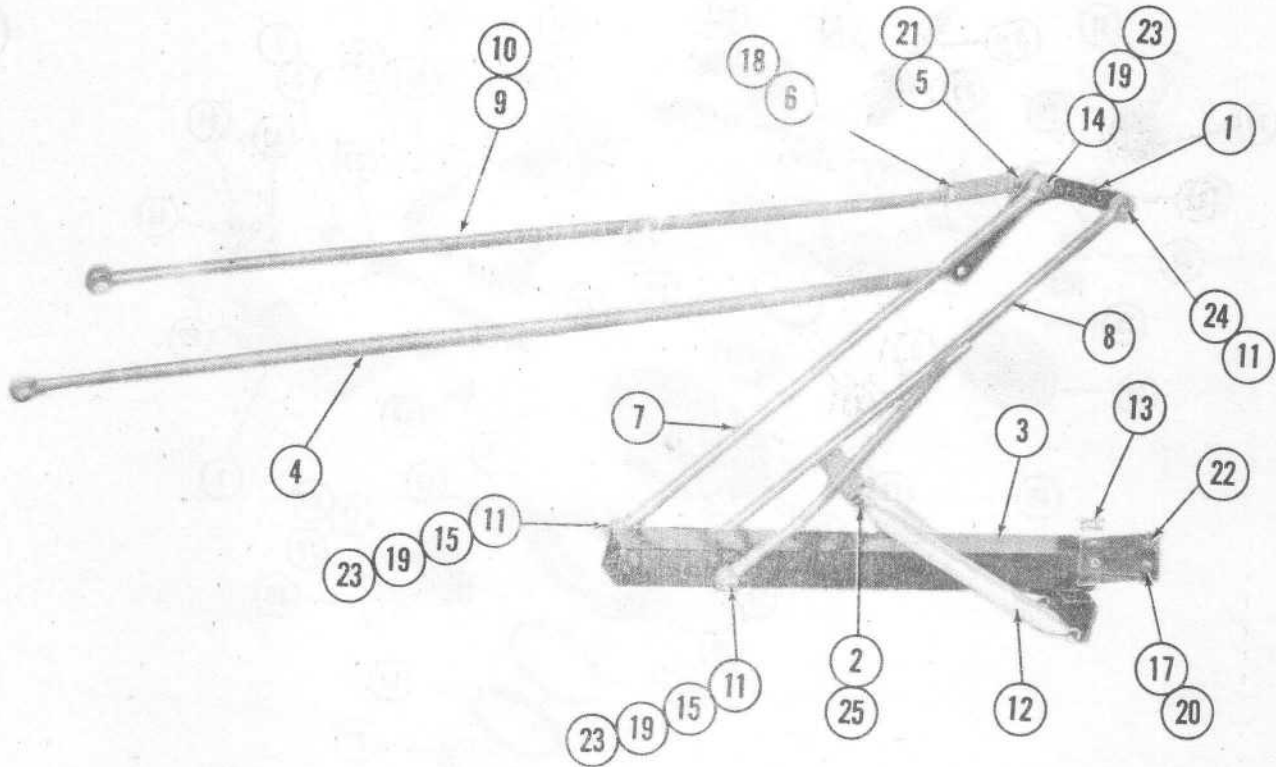


INDEX MECHANISM - DISTRIBUTOR DRIVE

| ITEM | PART NUMBER | DESCRIPTION | ITEM | PART NUMBER | DESCRIPTION |
|------|---------------|-------------------------------------|------|---------------|---|
| 1 | 030 002 052 | INDEX ARM WELDMENT | 24 | 030 005 815 | GEAR |
| 2 | 030 002 053 | INDEX PIN | 25 | b 030 007 383 | LINK (EFF. TO S.N. 41197) |
| 3 | 030 002 063 | HEAD CASTING | 26 | b 000 022 174 | KEY |
| 4 | b 030 002 067 | SHAFT | 27 | b 000 023 194 | ECCENTRIC BUSHING |
| 5 | 030 002 070 | SPACER | 28 | b 000 023 753 | ECCENTRIC BOLT |
| 6 | 030 002 082 | BUSHING | 29 | b 000 023 913 | SPACER |
| 7 | b 030 002 200 | SPACER (EFFECTIVE TO S.N. 43347) | 30 | 000 024 635 | BEVEL GEAR, LOWER |
| | 030 007 356 | SPACER (EFFECTIVE AT S.N. 43348) | 31 | 000 024 636 | PIN |
| 8 | 030 002 330 | DRIVE GEAR (FIBER) | 32 | b 000 024 736 | BEARING |
| 9 | 030 002 624 | BEARING HOUSING | 33 | 000 024 739 | BEARING |
| 10 | 030 003 057 | BEARING HOUSING ASSY. | 34 | b 724 509 007 | SPEED NUT |
| 11 | 030 003 190 | COVER | 35 | b 807 339 060 | SET SCREW 10-24 x 3/8 |
| 12 | 030 003 192 | BEARING HOUSING | 36 | b 808 850 400 | SCREW, FL.SOC.HD. CAP 1/4-28 x 2 1/2 |
| 13 | b 030 003 195 | ADJUSTABLE SPACER | 37 | b 835 550 002 | NUT, HEX JAM 1/4-28 |
| 14 | b 030 003 449 | SPRING | 38 | b 840 040 002 | LOCKNUT 10-32 |
| 15 | 030 003 782 | TRIP LEVER ASSY. | 39 | b 840 050 002 | LOCKNUT 1/4-28 |
| 16 | b 030 003 924 | HARDENED WASHER | 40 | b 844 066 002 | LOCKNUT 3/8-24 |
| 17 | 030 003 926 | HUB & GEAR ASSY. | 41 | b 844 082 002 | LOCKNUT 5/8-18 |
| 18 | 030 003 928 | HUB (FOR DRIVE GEAR) | 42 | b 900 204 061 | FLANGE BEARING |
| 19 | 030 004 738 | BEARING | 43 | b 919 000 700 | RETAINER RING |
| 20 | 030 004 740 | BEARING | 44 | b 919 003 100 | RETAINER RING |
| 21 | 030 004 741 | BEARING | 45 | b 919 006 500 | RETAINER RING |
| 22 | 030 004 742 | COLLAR | 46 | b 933 923 060 | RIVET |
| 23 | b 030 004 760 | NYLON GEAR | 47 | b 957 100 002 | LOCK WASHER #1110-00 |
| | | | 48 | b 963 200 002 | X WASHER |

REFER TO PRICE LIST FOR MINIMUM ORDER QUANTITY AND PRICE.

DISTRIBUTOR

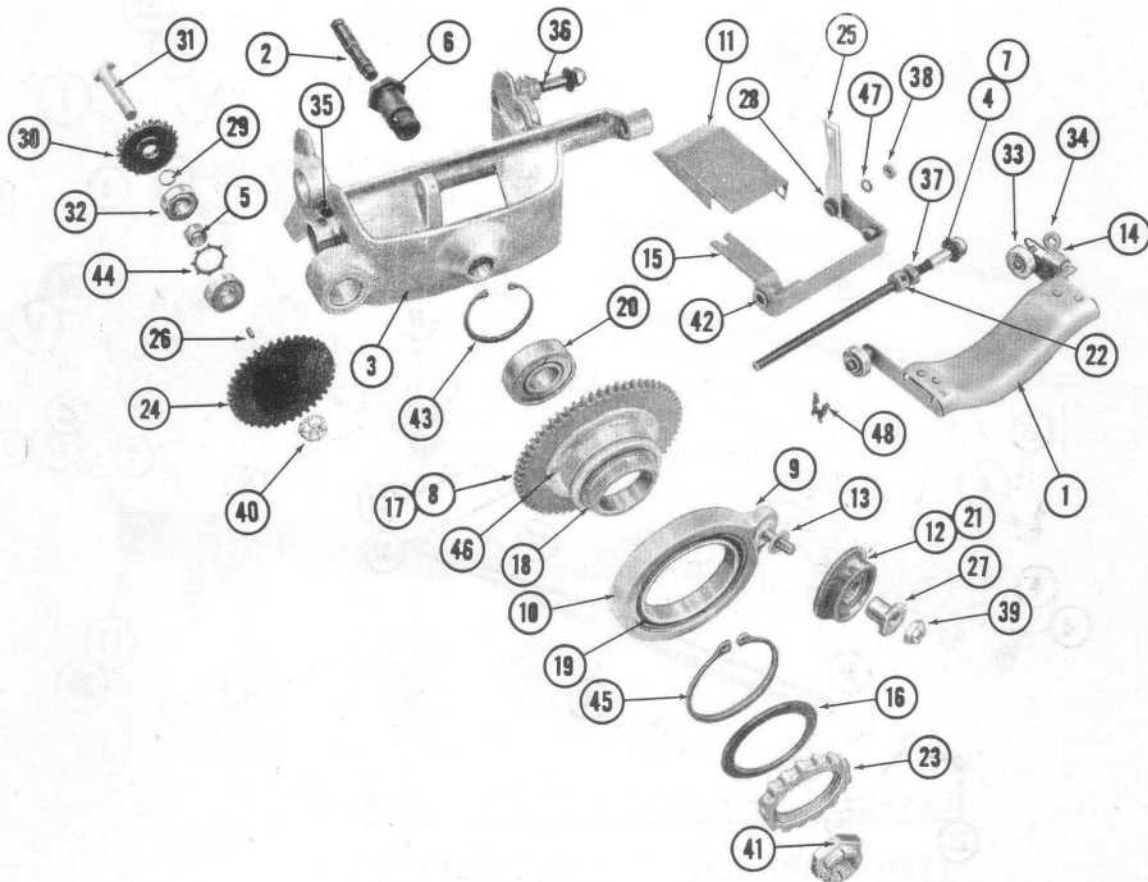


LEVELING ARM ASSY.- DISTRIBUTOR

| <u>ITEM</u> | <u>PART NO.</u> | <u>DESCRIPTION</u> |
|-------------|-----------------|------------------------------------|
| 1 | 030 002 155 | ARM WELDMENT |
| 2 | b 030 004 672 | SPRING POST |
| 3 | 030 004 674 | SUPPORT |
| 4 | 030 007 340 | TIE ROD ASSY. |
| 5 | 030 007 341 | ROD END |
| 6 | 030 007 342 | TURNBUCKLE |
| 7 | 030 007 343 | TIE ROD ASSY. |
| 8 | 030 007 347 | TIE ROD ASSY. |
| 9 | 030 007 348 | TIE ROD ASSY. |
| 10 | 030 007 349 | TIE ROD ASSY. |
| 11 | 030 002 152 | TIE ROD |
| | b 030 007 357 | SPACER (EFF. TO S/N 43377) |
| 12 | 000 024 673 | SPACER (EFF. AT S/N 43378) |
| 13 | b 724 504 028 | SPRING |
| 14 | b 810 240 280 | CLAMP |
| 15 | b 810 240 400 | SCREW, Soc. Hd. CAP 10-32 X 1 3/4 |
| 16 | b 810 240 500 | SCREW, Soc. Hd. CAP 10-32 X 2 1/2 |
| 17 | b 810 250 120 | SCREW, Soc. Hd. CAP 10-32 X 3 1/8 |
| 18 | b 831 566 002 | SCREW, Soc. Hd. CAP 1 1/4-28 X 3/4 |
| 19 | b 840 040 002 | NUT, HEX JAM 3/8-24 |
| 20 | b 844 050 002 | LOCKNUT 10-32 |
| 21 | b 900 105 101 | LOCKNUT 1/4-28 |
| 22 | b 913 448 100 | BEARING, SLEEVE |
| 23 | b 948 745 082 | ROLL PIN .250 X 5/8 |
| 24 | b 963 300 002 | WASHER, PLAIN 7/32 X 1/2 X 1/16 |
| 25 | b 963 400 002 | X WASHER |
| | | X WASHER |

b REFER TO PRICE LIST FOR MINIMUM ORDER QUANTITY AND PRICE.

DISTRIBUTOR

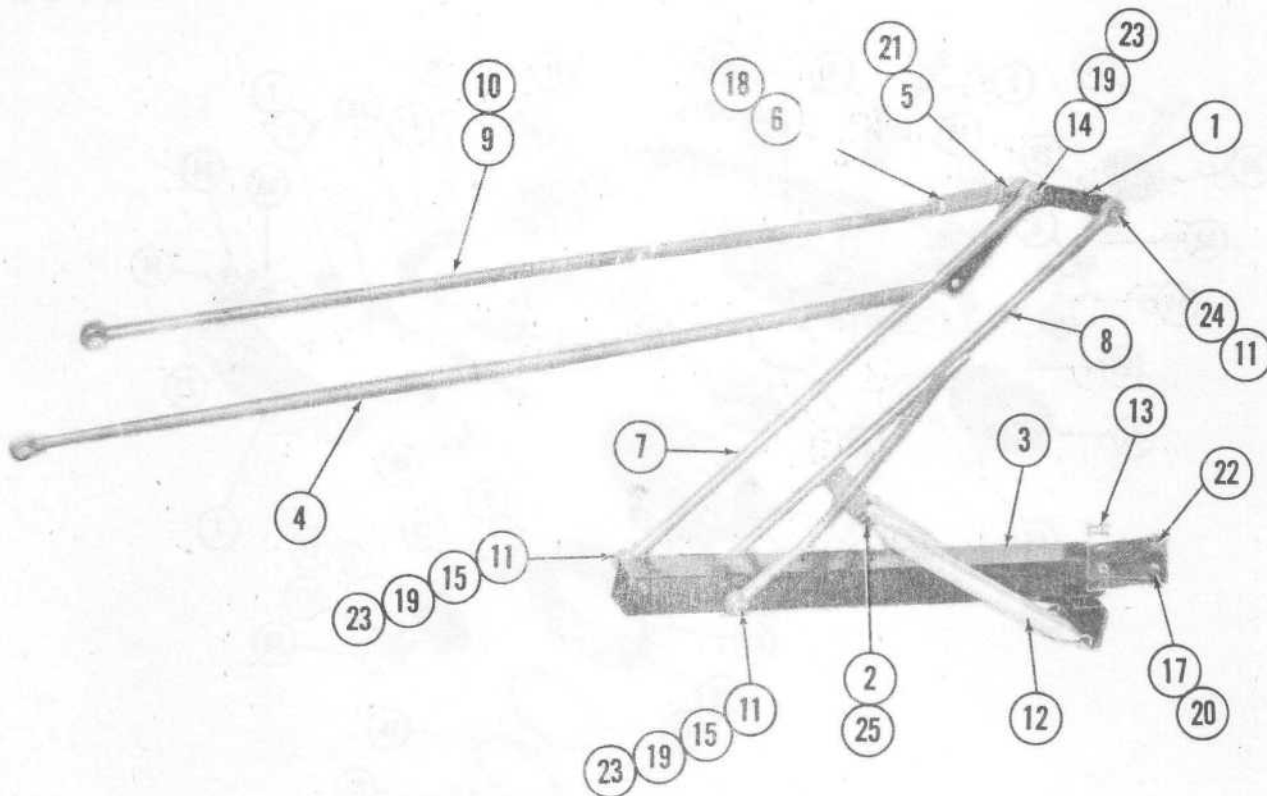


INDEX MECHANISM - DISTRIBUTOR DRIVE

| ITEM | PART NUMBER | DESCRIPTION | ITEM | PART NUMBER | DESCRIPTION |
|------|---------------|-------------------------------------|------|---------------|---|
| 1 | 030 002 052 | INDEX ARM WELDMENT | 24 | 030 005 815 | GEAR |
| 2 | 030 002 053 | INDEX PIN | 25 | b 030 007 383 | LINK (EFF. TO S.N. 41197) |
| 3 | 030 002 063 | HEAD CASTING | 26 | b 000 022 174 | KEY |
| 4 | b 030 002 067 | SHAFT | 27 | b 000 023 194 | ECCENTRIC BUSHING |
| 5 | 030 002 070 | SPACER | 28 | b 000 023 753 | ECCENTRIC BOLT |
| 6 | 030 002 082 | BUSHING | 29 | b 000 023 913 | SPACER |
| 7 | b 030 002 200 | SPACER (EFFECTIVE TO S.N. 43347) | 30 | 000 024 635 | BEVEL GEAR, LOWER |
| | 030 007 356 | SPACER (EFFECTIVE AT S.N. 43348) | 31 | 000 024 636 | PIN |
| 8 | 030 002 330 | DRIVE GEAR (FIBER) | 32 | b 000 024 736 | BEARING |
| 9 | 030 002 624 | BEARING HOUSING | 33 | 000 024 739 | BEARING |
| 10 | 030 003 057 | BEARING HOUSING ASSY. | 34 | b 724 509 007 | SPEED NUT |
| 11 | 030 003 190 | COVER | 35 | b 807 339 060 | SET SCREW 10-24 x 3/8 |
| 12 | 030 003 192 | BEARING HOUSING | 36 | b 808 850 400 | SCREW, FL.SOC.HD. CAP 1/4-28 x 2 1/2 |
| 13 | b 030 003 195 | ADJUSTABLE SPACER | 37 | b 835 550 002 | NUT, HEX JAM 1/4-28 |
| 14 | b 030 003 449 | SPRING | 38 | b 840 040 002 | LOCKNUT 10-32 |
| 15 | 030 003 782 | TRIP LEVER ASSY. | 39 | b 840 050 002 | LOCKNUT 1/4-28 |
| 16 | b 030 003 924 | HARDENED WASHER | 40 | b 844 066 002 | LOCKNUT 3/8-24 |
| 17 | 030 003 926 | HUB & GEAR ASSY. | 41 | b 844 082 002 | LOCKNUT 5/8-18 |
| 18 | 030 003 928 | HUB (FOR DRIVE GEAR) | 42 | b 900 204 061 | FLANGE BEARING |
| 19 | 030 004 738 | BEARING | 43 | b 919 000 700 | RETAINER RING |
| 20 | 030 004 740 | BEARING | 44 | b 919 003 100 | RETAINER RING |
| 21 | 030 004 741 | BEARING | 45 | b 919 006 500 | RETAINER RING |
| 22 | 030 004 742 | COLLAR | 46 | b 933 923 060 | RIVET |
| 23 | b 030 004 760 | NYLON GEAR | 47 | b 957 100 002 | LOCK WASHER #1110-00 |
| | | | 48 | b 963 200 002 | X WASHER |

REFER TO PRICE LIST FOR MINIMUM ORDER QUANTITY AND PRICE.

DISTRIBUTOR

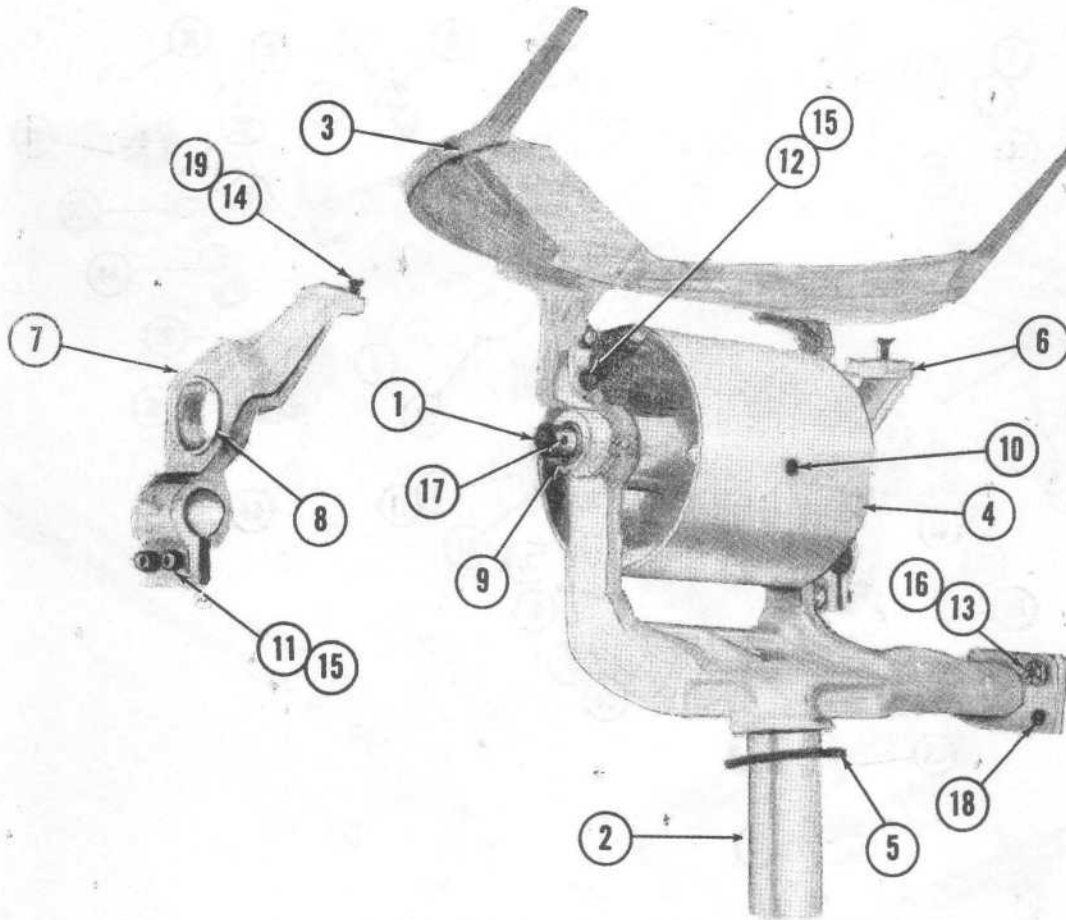


LEVELING ARM ASSY.- DISTRIBUTOR

| <u>ITEM</u> | <u>PART NO.</u> | <u>DESCRIPTION</u> |
|-------------|-----------------|-----------------------------------|
| 1 | 030 002 155 | ARM WELDMENT |
| 2 | b 030 004 672 | SPRING POST |
| 3 | 030 004 674 | SUPPORT |
| 4 | 030 007 340 | TIE ROD ASSY. |
| 5 | 030 007 341 | ROD END |
| 6 | 030 007 342 | TURNBUCKLE |
| 7 | 030 007 343 | TIE ROD ASSY. |
| 8 | 030 007 347 | TIE ROD ASSY. |
| 9 | 030 007 348 | TIE ROD ASSY. |
| 10 | 030 007 349 | TIE ROD |
| 11 | 030 002 152 | SPACER (EFF. TO S/N 43377) |
| | b 030 007 357 | SPACER (EFF. AT S/N 43378) |
| 12 | 000 024 673 | SPRING |
| 13 | b 724 504 028 | CLAMP |
| 14 | b 810 240 280 | SCREW, Soc. Hd. CAP 10-32 X 1 3/4 |
| 15 | b 810 240 400 | SCREW, Soc. Hd. CAP 10-32 X 2 1/2 |
| 16 | b 810 240 500 | SCREW, Soc. Hd. CAP 10-32 X 3 1/8 |
| 17 | b 810 250 120 | SCREW, Soc. Hd. CAP 1/4-28 X 3/4 |
| 18 | b 831 566 002 | NUT, HEX JAM 3/8-24 |
| 19 | b 840 040 002 | LOCKNUT 10-32 |
| 20 | b 844 050 002 | LOCKNUT 1/4-28 |
| 21 | b 900 105 101 | BEARING, SLEEVE |
| 22 | b 913 448 100 | ROLL PIN .250 X 5/8 |
| 23 | b 948 745 082 | WASHER, PLAIN 7/32 X 1/2 X 1/16 |
| 24 | b 963 300 002 | X WASHER |
| 25 | b 963 400 002 | X WASHER |

b REFER TO PRICE LIST FOR MINIMUM ORDER QUANTITY AND PRICE.

DISTRIBUTOR

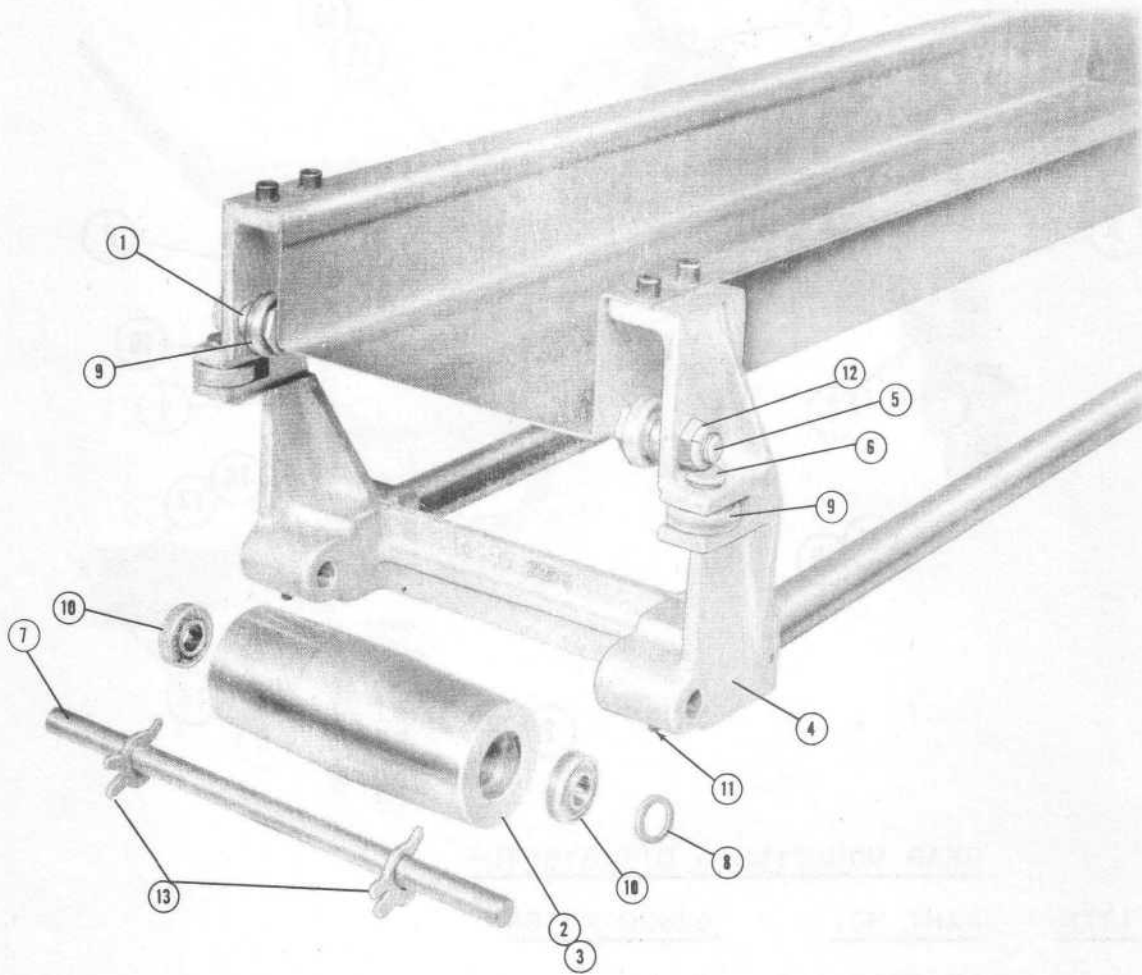


REAR MOUNTING - DISTRIBUTOR

| ITEM | PART NO. | DESCRIPTION |
|------|-------------|-------------------------------------|
| 1 | 030 002 197 | SHAFT |
| 2 | 030 007 137 | YOKE ASSY. |
| 3 | 030 008 699 | PIN ORIENTOR & MAT ASSY. |
| 4 | 000 022 090 | DRIVE PULLEY |
| 5 b | 000 023 646 | SHIM |
| 6 | 000 027 707 | BRACKET ASSY., R.H. |
| 7 | 000 027 708 | BRACKET ASSY., L.H. |
| 8 b | 701 436 064 | BEARING |
| 9 b | 701 516 078 | BEARING |
| 10 b | 807 439 060 | SET SCREW, FULL DOG PT. 10-24 X 3/8 |
| 11 b | 810 240 120 | SCREW, SOC. HD. CAP 10-32 X 3/4 |
| 12 b | 810 240 160 | SCREW, SOC. HD. CAP 10-32 X 1 |
| 13 b | 810 250 120 | SCREW, SOC. HD. CAP 1/4-28 X 3/4 |
| 14 b | 811 939 082 | SCREW, FL. HD. MACH. 10-24 X 1/2 |
| 15 b | 840 040 002 | NUT SELF LOCKING 10-32 |
| 16 b | 840 050 002 | NUT SELF LOCKING 1/4-28 |
| 17 b | 913 437 120 | ROLL PIN .187 X 3/4 |
| 18 b | 913 448 100 | ROLL PIN .250 X 5/8 |
| 19 b | 956 000 002 | LOCK WASHER (#1510-00) |

b REFER TO PRICE LIST FOR MINIMUM ORDER QUANTITY AND PRICE.

DISTRIBUTOR

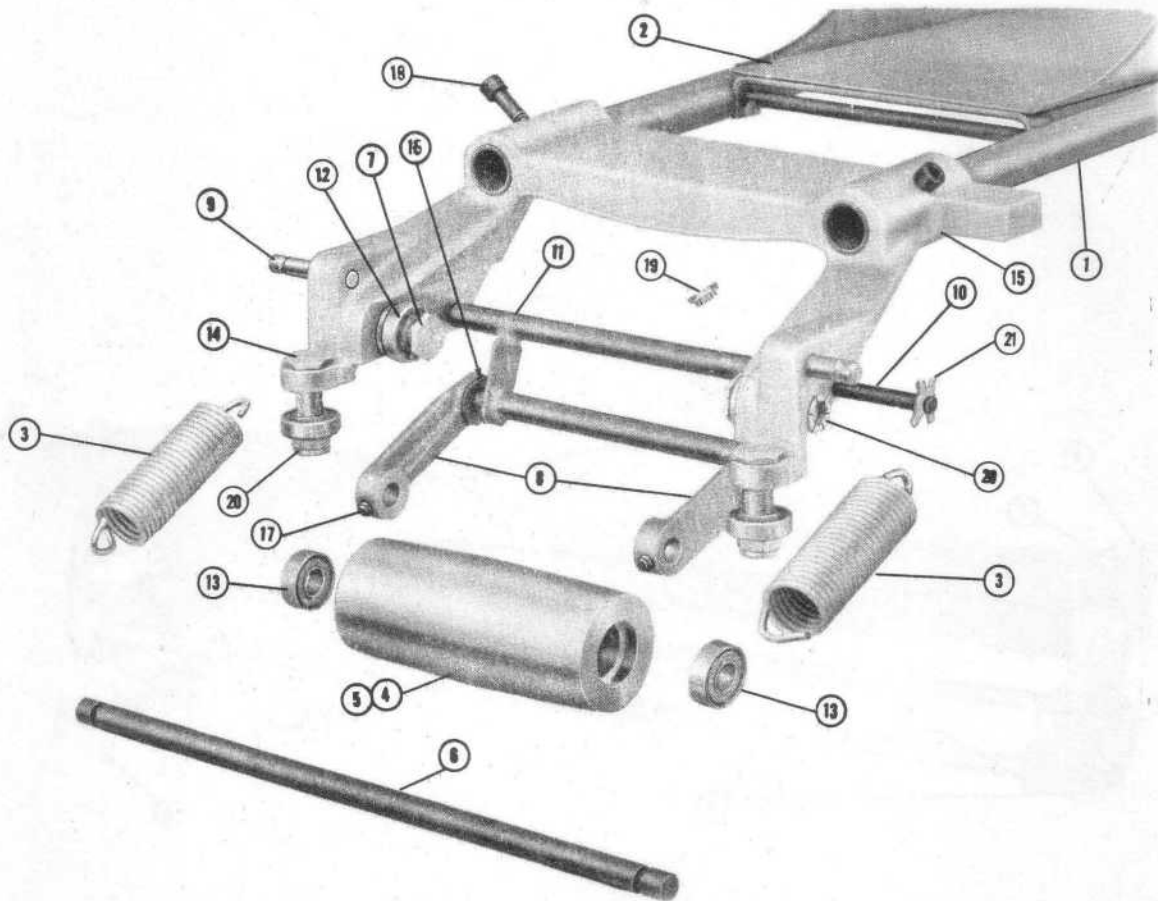


FRONT END LOWER FRAME - DISTRIBUTOR

| <u>ITEM</u> | | <u>PART NO.</u> | <u>DESCRIPTION</u> |
|-------------|---|-----------------|-------------------------------|
| 1 | b | 030 002 335 | SPACER |
| 2 | | 000 022 193 | ROLLER |
| 3 | | 000 022 194 | ROLLER ASSY. |
| 4 | | 000 022 205 | DISTR. BRACKET ROLLER SUPPORT |
| 5 | b | 000 022 336 | STUD |
| 6 | b | 000 022 758 | GUIDE ROLLER PIN |
| 7 | | 000 023 856 | IDLER SHAFT |
| 8 | b | 000 023 857 | SPACER |
| 9 | | 000 024 589 | BEARING |
| 10 | b | 000 024 736 | BEARING |
| 11 | b | 807 239 010 | SET SCREW CUP PT. 10-24 X 1/4 |
| 12 | b | 814 066 002 | LOCKNUT 3/8-24 |
| 13 | b | 963 600 002 | X WASHER |

b REFER TO PRICE LIST FOR MINIMUM ORDER QUANTITY AND PRICE.

DISTRIBUTOR

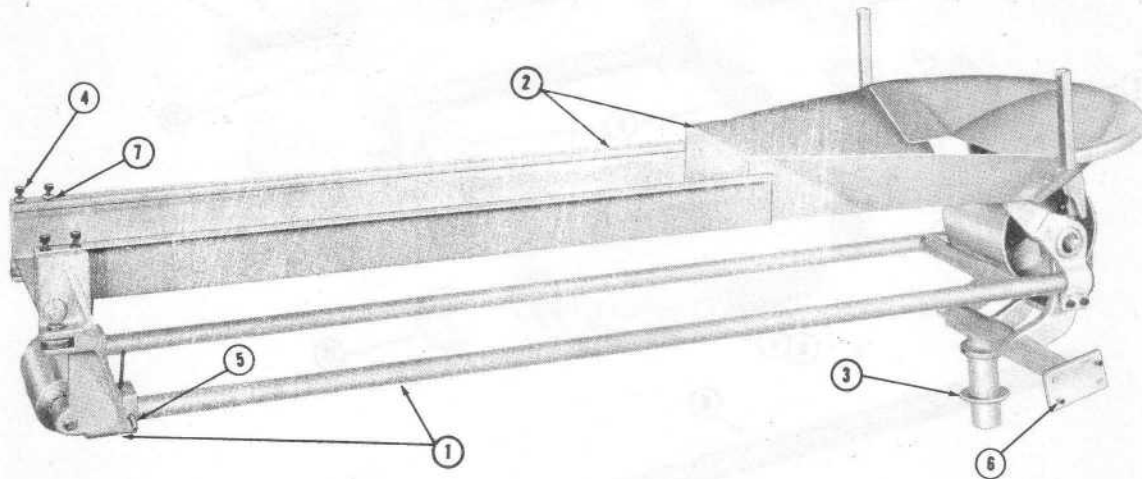


REAR END - LOWER TROUGH

| ITEM | PART NO. | DESCRIPTION | ITEM | PART NO. | DESCRIPTION |
|------|---------------|---------------------|------|---------------|---|
| 1 | 030 004 484 | TUBE - UPPER | 13 | b 000 024 736 | BEARING |
| 1A | * 000 028 088 | TUBE - UPPER | 14 | b 000 025 199 | ECCENTRIC STUD |
| 2 | 030 006 712 | TUBE & TROUGH WELD. | 15 | 000 025 840 | ROLLER SUPPORT BRACKET |
| 2A | * 000 028 090 | TUBE & TROUGH WELD. | 16 | b 701 412 055 | FLANGED BEARING |
| 3 | b 000 022 178 | SPRING | 17 | b 807 349 030 | SET SCREW, KN. CUP PT. 1/4-20 X 3/16 |
| 3A | * 000 028 105 | SPRING | 18 | b 810 250 220 | SCREW, SOC. HD. CAP 1/4-28 X 1 3/8 |
| 4 | 000 022 193 | ROLLER | 19 | b 844 050 002 | LOCKNUT 1/4-28 |
| 5 | 000 022 194 | ROLLER ASSY. | 20 | b 844 066 002 | LOCKNUT 3/8-24 |
| 6 | 000 022 195 | IDLER SHAFT | 21 | b 963 200 002 | X WASHER |
| 7 | b 000 022 336 | STUD | | | |
| 8 | 000 022 778 | ARM ASSY. | | | |
| 9 | b 000 024 481 | SPRING POST | | | |
| 10 | b 000 024 483 | PIN | | | |
| 11 | 000 024 487 | YOKE ASSY. | | | |
| 12 | 000 024 589 | BEARING | | | |

* PARTS SO NOTED EFFECTIVE AT SERIAL NUMBER 63500
 b REFER TO PRICE LIST FOR MINIMUM ORDER QUANTITY AND PRICE.

DISTRIBUTOR

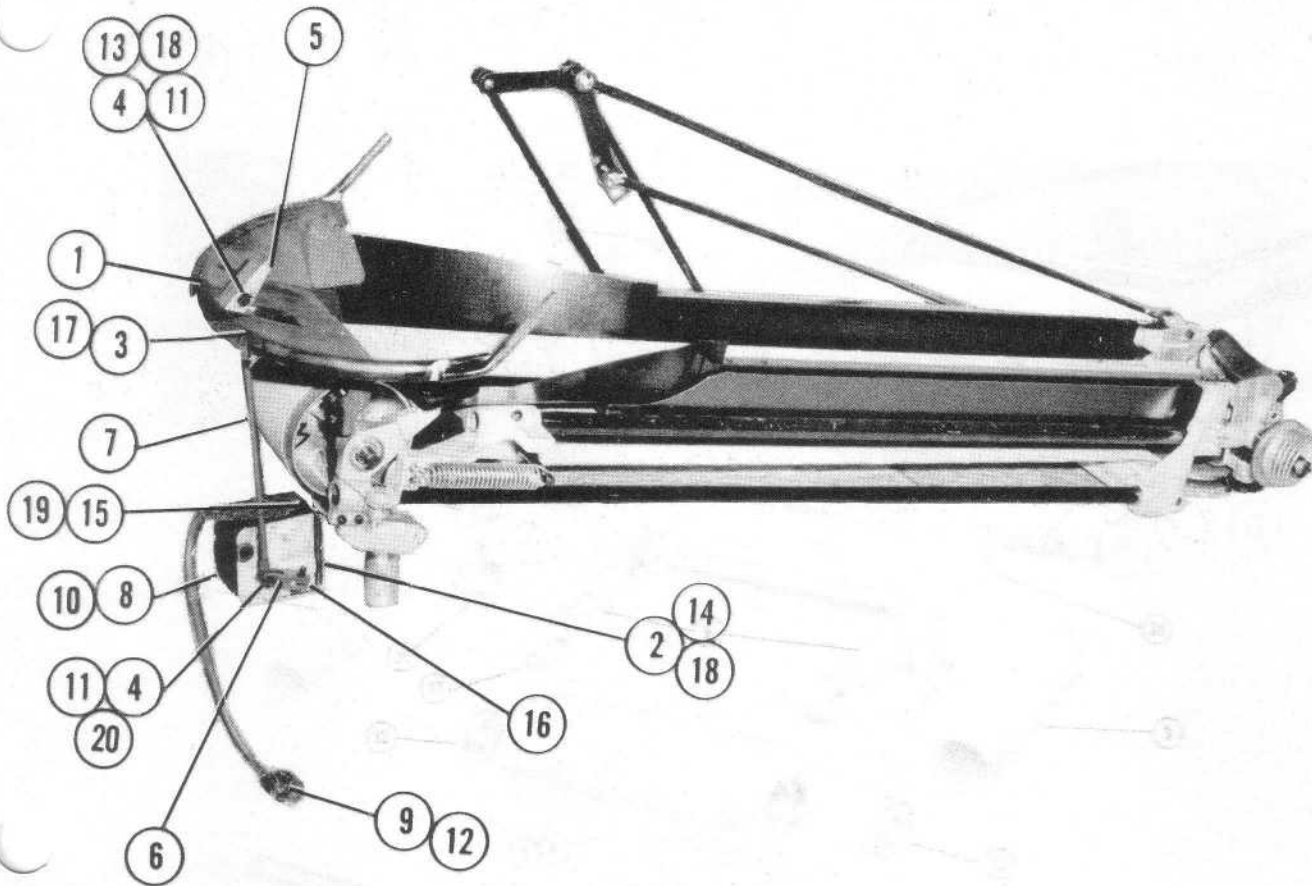


TROUGH - FRAME - UPPER, DISTRIBUTOR

| <u>ITEM</u> | <u>PART NO.</u> | <u>DESCRIPTION</u> |
|-------------|-----------------|--|
| 1 | 030 002 218 | TUBE WELD. (LOWER) TO SERIAL #63500 |
| | 030 008 094 | TUBE WELD. (LOWER) AFTER SERIAL #63500 |
| 2 | 030 002 500 | TROUGH WELD. (UPPER) TO SERIAL #63500 |
| | 030 008 092 | TROUGH WELD. (UPPER) AFTER SERIAL #63500 |
| 3 b | 000 023 646 | SHIM |
| 4 b | 810 239 060 | SCREW, Soc. Hd. CAP 10-24 X 3/8 |
| 5 b | 913 423 200 | ROLL PIN |
| 6 b | 913 448 100 | ROLL PIN |
| 7 b | 951 138 000 | LOCK WASHER #10 |

b REFER TO PRICE LIST FOR MINIMUM ORDER QUANTITY AND PRICE.

DISTRIBUTOR

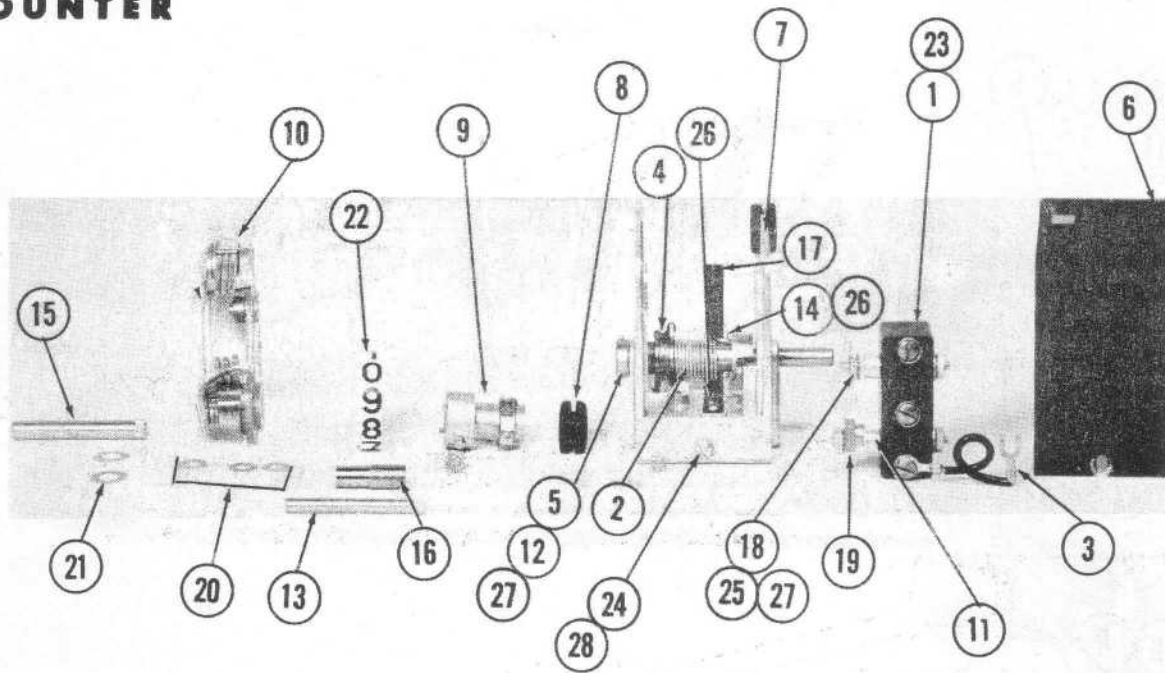


ORIENTOR & COUNTER ASSY.

| <u>ITEM</u> | <u>PART NO.</u> | <u>DESCRIPTION</u> |
|-------------|-----------------|----------------------------------|
| 1 | 030 007 117 | PIN ORIENTOR & MAT ASSY. |
| 2 | 030 007 119 | BRACKET, COUNTER |
| 3 b | 030 007 120 | PIN, LEVER |
| 4 b | 030 007 121 | PIN |
| 5 | 030 007 123 | TRIP LEVER ASSY. |
| 6 | 030 007 124 | LEVER ARM |
| 7 | 030 007 126 | LINK ASSY. |
| 8 | 030 007 139 | COUNTER |
| 9 | 030 007 709 | CORD ASSY. |
| 10 | 030 007 710 | COUNTER & CORD ASSY. |
| 11 b | 030 008 047 | BEARING (2 REQ.) |
| 12 | 000 024 715 | CONNECTOR PLUG |
| 13 b | 701 506 088 | BEARING |
| 14 b | 810 227 060 | SCREW, SOC. HD. CAP 6-32 X 3/8 |
| 15 b | 810 239 080 | SCREW, SOC. HD. CAP 10-24 X 1/2 |
| 16 b | 810 250 100 | SCREW, SOC. HD. CAP 1/4-28 X 5/8 |
| 17 b | 840 033 002 | NUT SELF LOCKING 8-32 |
| 18 b | 957 000 002 | WASHER, SHAKEPROOF #1106-00 |
| 19 b | 957 100 002 | WASHER, SHAKEPROOF #1110-00 |
| 20 b | 963 200 002 | X WASHER |

b REFER TO PRICE LIST FOR MINIMUM ORDER QUANTITY AND PRICE.

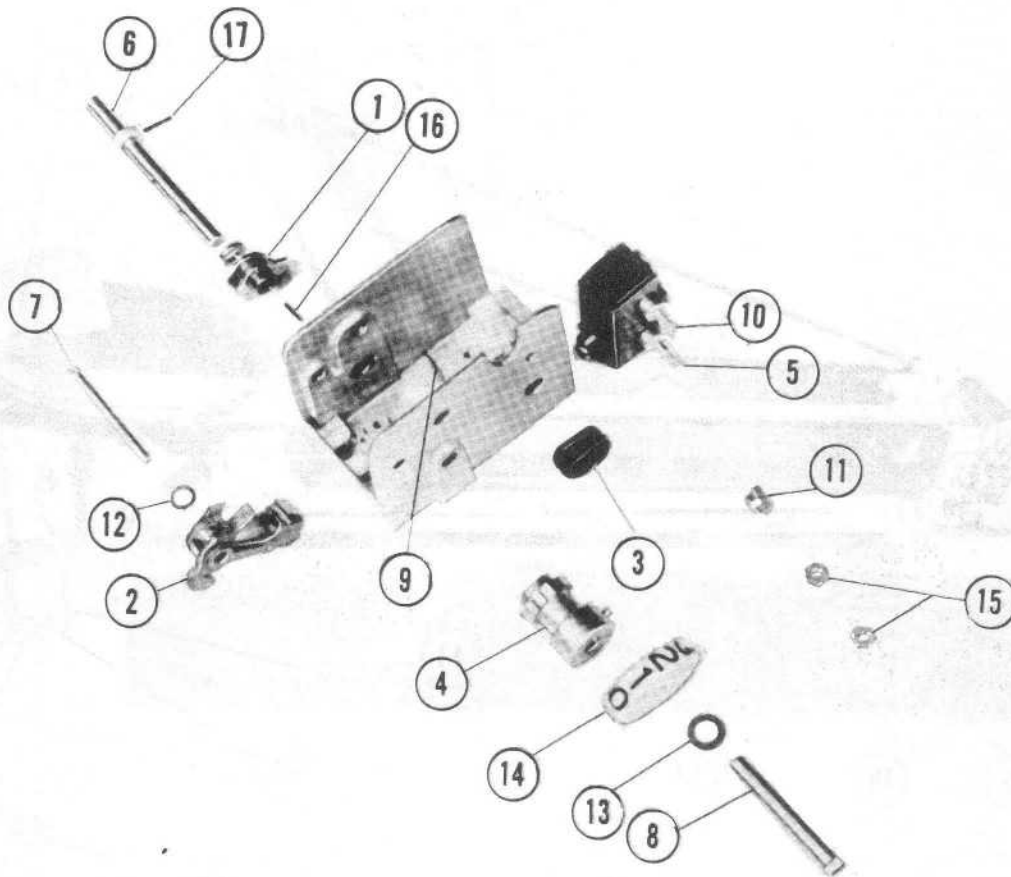
PIN COUNTER



COUNTER ASSY.

| ITEM | PART NO. | DESCRIPTION | ITEM | PART NO. | DESCRIPTION |
|------|-------------|----------------------------|------|-------------|-------------------------------|
| 1 | 030 004 703 | MICRO SWITCH | 16 b | 782 016 028 | OPERATING PAWL SHAFT SLEEVE |
| 2 b | 030 008 650 | LEVER RETURN SPRING | 17 b | 782 017 029 | SWITCH OPERATING ARM |
| 3 b | 760 015 033 | TERMINAL | 18 | 782 018 035 | SWITCH MTG. SCREW |
| 4 | 782 005 005 | CAM | 19 b | 782 019 037 | SWITCH ADJ. BUSHING |
| 5 | 782 006 007 | COLLAR FOR OPERATION SHAFT | 20 b | 782 020 039 | WASHER (SMALL) |
| 6 | 782 008 010 | COVER | 21 b | 782 020 040 | WASHER (LARGE) |
| 7 | 782 009 011 | COUNTER FRAME | 22 | 782 021 041 | NUMERICAL WHEEL |
| 8 | 782 011 013 | RUBBER GROMMET | 23 | 782 022 043 | INSULATOR, SWITCH (NOT SHOWN) |
| 9 | 782 012 014 | RATCHET | 24 b | 812 827 042 | SCREW, Rd. Hd. 6-32 X 1/4 |
| 10 | 782 012 015 | ACTUATING RATCHET | 25 b | 834 527 002 | HEX NUT 6-32 |
| 11 b | 782 013 017 | SWITCH MTG. SCREW-BOTTOM | 26 b | 912 107 060 | ROLL PIN |
| 12 | 782 014 020 | OPERATING SHAFT | 27 b | 913 411 160 | PIN |
| 13 b | 782 014 022 | OPERATING PAWL SHAFT | 28 b | 957 000 002 | LOCK WASHER #1106-00 |
| 14 | 782 014 025 | OPERATING SHAFT STOP | | | |
| 15 b | 782 014 026 | RATCHET WHEEL SHAFT | | | |

b REFER TO PRICE LIST FOR MINIMUM ORDER QUANTITY AND PRICE.

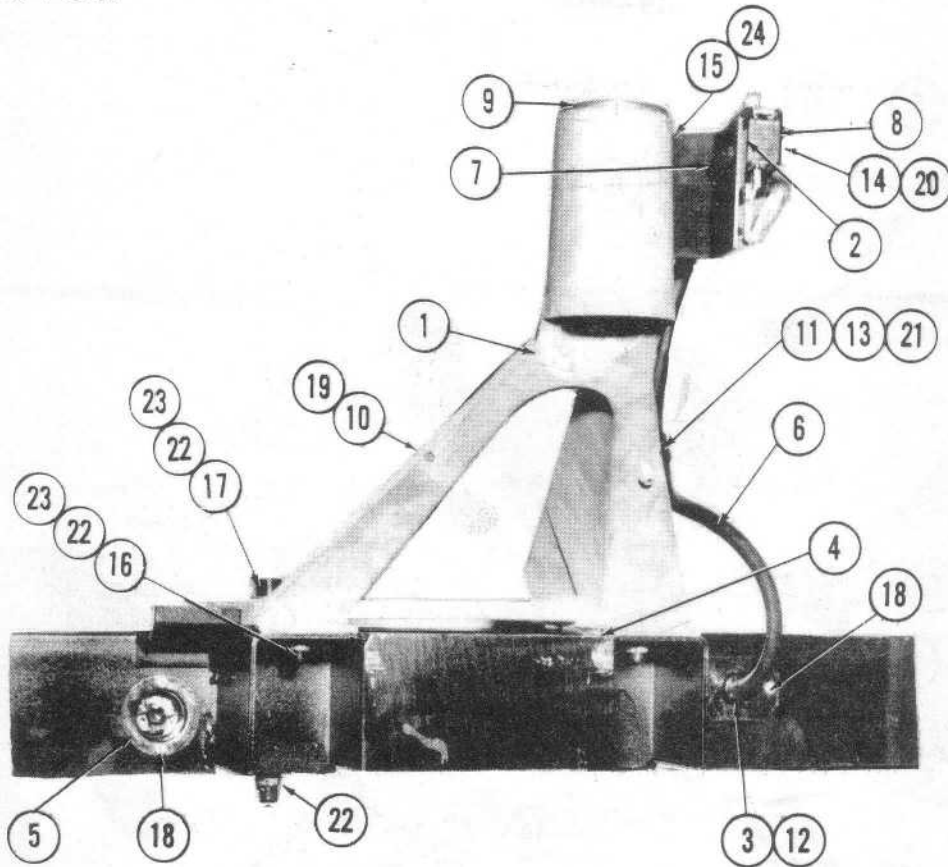


030 005 838 COUNTER ASSY.

| <u>ITEM</u> | <u>PART NO.</u> | <u>DESCRIPTION</u> |
|-------------|-----------------|---------------------------|
| 1 | 782 005 005 | CAM |
| 2 | 782 010 012 | ACTUATION LEVER |
| 3 | 782 011 013 | RUBBER GROMMET |
| 4 | 782 012 014 | RATCHET |
| 5 | b 782 013 017 | SWITCH MTG. SCREW, BOTTOM |
| 6 | 782 014 020 | OPERATING SHAFT |
| 7 | b 782 014 022 | OPERATING PAWL SHAFT |
| 8 | b 782 014 026 | RATCHET WHEEL SHAFT |
| 9 | b 782 017 029 | SWITCH OPERATING ARM |
| 10 | 782 018 035 | SWITCH MTG. SCREW |
| 11 | b 782 019 037 | SWITCH ADJUSTING BUSHING |
| 12 | b 782 020 039 | WASHER (SMALL) |
| 13 | b 782 020 040 | WASHER (LARGE) |
| 14 | 782 021 041 | NUMERICAL WHEEL |
| 15 | b 834 527 002 | HEX NUT 6-32 |
| 16 | b 912 107 060 | GROOVE PIN |
| 17 | b 913 411 160 | ROLL PIN .078 X 1 |

b REFER TO PRICE LIST FOR MINIMUM ORDER QUANTITY AND PRICE.

DISTRIBUTOR

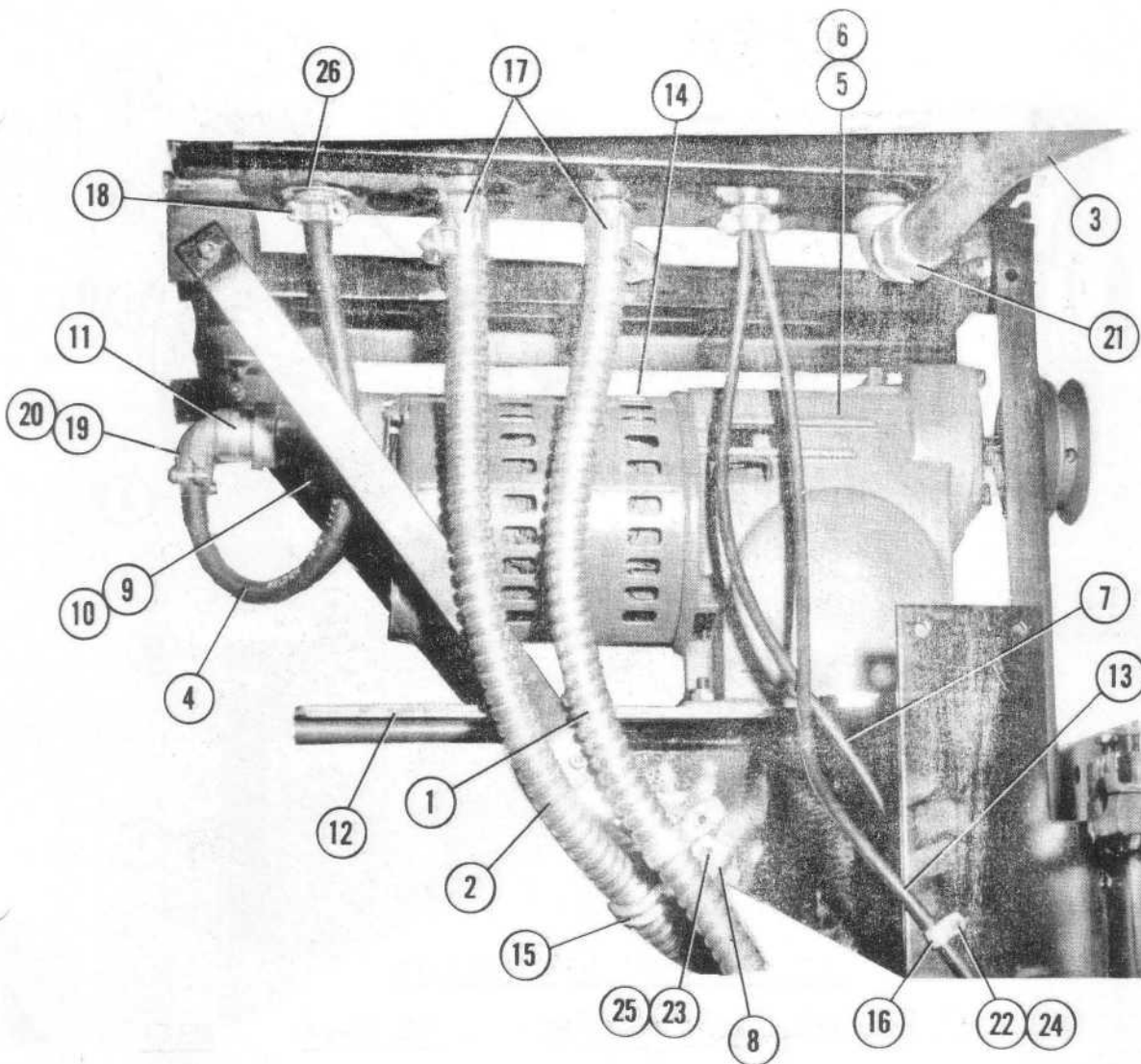


DISTRIBUTOR SUPPORT BRACKET

| <u>ITEM</u> | <u>PART NO.</u> | <u>DESCRIPTION</u> | <u>ITEM</u> | <u>PART NO.</u> | <u>DESCRIPTION</u> |
|-------------|-----------------|-----------------------------------|-------------|-----------------|---------------------------------------|
| 1 | 030 001 531 | BRACKET ASSY. | 15 b | 810 249 080 | SCREW, Soc. Hd. CAP 1/4-20 X 1/2 |
| 2 | 030 002 296 | INSULATOR | 16 b | 810 266 240 | SCREW, Soc. Hd. CAP 3/8-24 X 1 1/2 |
| 3 | 030 002 694 | PLATE | 17 | 810 266 720 | SCREW, Soc. Hd. CAP 3/8-24 X 4 1/2 |
| 4 | 030 003 494 | SHIM | 18 b | 818 033 062 | SCREW, SLOTTED PAN HD. 8-32 X 3/8 |
| 5 | 030 005 797 | PLUG, MALE BASE | 19 b | 823 632 042 | SCREW, SELF TAP. 8 X 1/4 |
| 6 | 030 006 101 | CABLE ASSY. | 20 b | 839 527 002 | LOCKNUT 6-32 |
| 7 | 030 006 242 | SWITCH MTG. BRACKET | 21 b | 840 027 002 | LOCKNUT 6-32 |
| 8 b | 000 026 247 | SWITCH | 22 b | 844 066 002 | LOCKNUT 3/8-24 |
| 9 | 701 440 065 | BEARING, OILITE FLANGE | 23 | 948 767 132 | WASHER, PLAIN 13/32 X 13/16 X 1/16 |
| 10 b | 724 504 027 | CABLE CLAMP (NOT SHOWN) | 24 b | 959 900 002 | WASHER, SHAKEPROOF # 1214-00 |
| 11 b | 724 504 028 | CLAMP, TINNEMAN | | | |
| 12 b | 758 500 001 | BUSHING | | | |
| 13 b | 810 227 080 | SCREW, Soc. Hd. CAP 6-32 X 1/2 | | | |
| 14 b | 810 227 160 | SCREW, Soc. Hd. CAP 6-32 X 1 | | | |

b REFER TO PRICE LIST FOR MINIMUM ORDER QUANTITY AND PRICE.

B.E. MOTOR

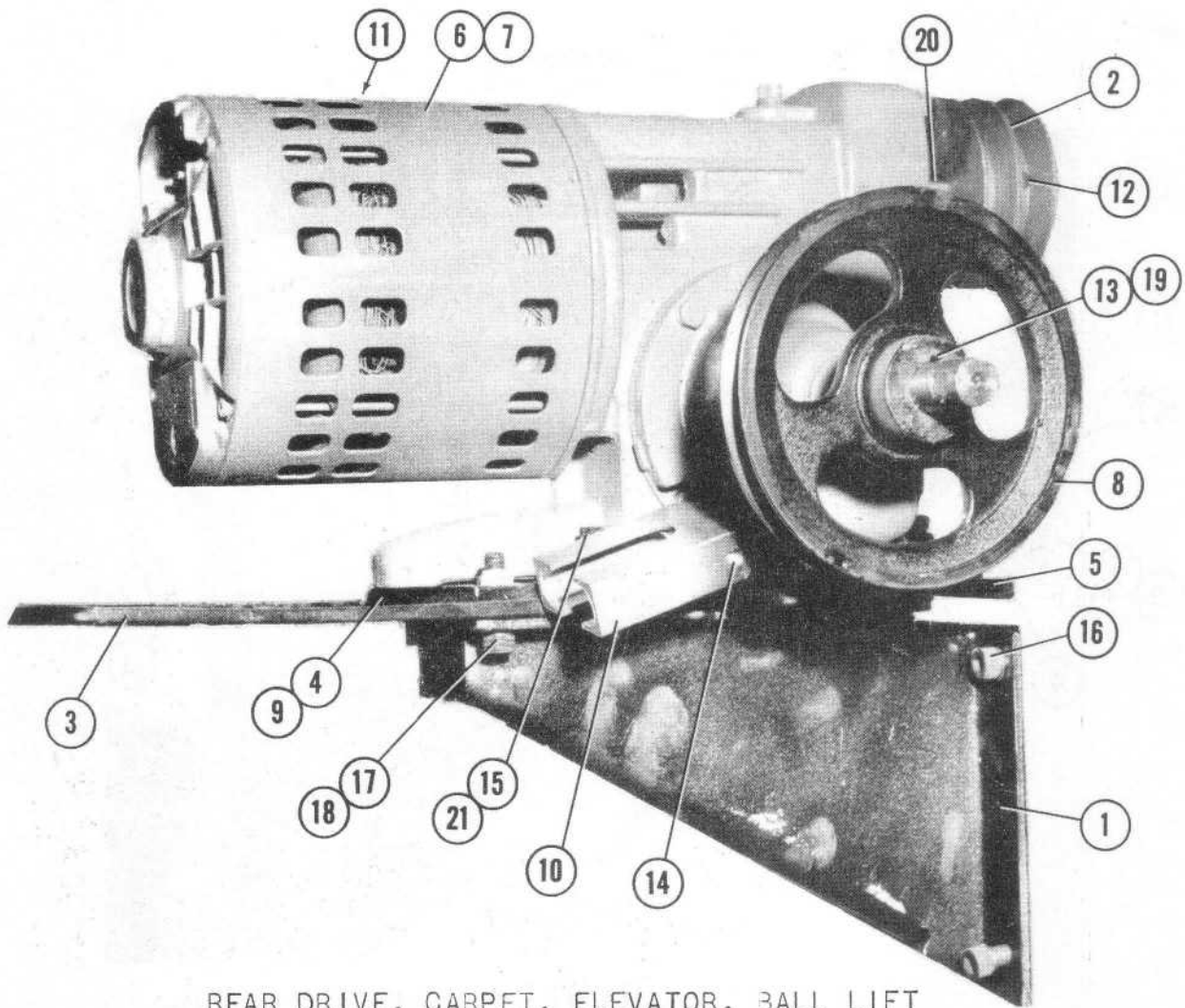


BACK END MOTOR AND CONDUIT ASSY.

| <u>ITEM</u> | <u>PART NO.</u> | <u>DESCRIPTION</u> | <u>ITEM</u> | <u>PART NO.</u> | <u>DESCRIPTION</u> |
|-------------|-----------------|-----------------------|-------------|-----------------|-------------------------------------|
| 1 | 030 007 802 | FLEXIBLE CONDUIT | 16 b | 744 203 013 | CLAMP |
| 2 | 030 007 804 | FLEXIBLE CONDUIT | 17 | 746 001 013 | CONNECTOR, STRAIGHT |
| 3 | 030 007 809 | CONDUIT | 18 b | 746 001 016 | CONNECTOR |
| 4 | 030 007 837 | MOTOR CABLE ASSY. | 19 b | 746 003 003 | CONNECTOR, 90° |
| 5 | 030 007 905 | MOTOR, B.E., R.H. | 20 b | 746 003 008 | CONNECTOR, 90° |
| 6 | 030 007 906 | MOTOR, B.E., L.H. | 21 | 746 003 018 | CONNECTOR, 90° |
| 7 | 030 007 944 | SW-2 CABLE ASSY. | 22 b | 810 233 080 | SCREW, SOC. HD. CAP 8-32 X 1/2 |
| 8 | 030 007 972 | ANGLE, CONDUIT MTG. | 23 b | 810 250 120 | SCREW, SOC. HD. CAP 1/4-28 X 3/4 |
| 9 | 000 025 590 | HSG., RECEPTACLE | 24 b | 840 033 002 | LOCKNUT 8-32 |
| 10 | 000 025 906 | RECEPTACLE, MALE | 25 b | 844 050 002 | LOCKNUT 1/4-28 |
| 11 | 000 025 907 | PLUG, FEMALE | 26 b | 955 700 000 | REDUCING WASHER |
| 12 | 000 026 471 | PAN | | | |
| 13 | 000 028 333 | "SA" CABLE ASSY. | | | |
| 14 | 743 000 014 | CAPACITOR (NOT SHOWN) | | | |
| 15 | 744 104 023 | CLAMP | | | |

b REFER TO PRICE LIST FOR MINIMUM ORDER QUANTITY AND PRICE.

B.E. MOTOR

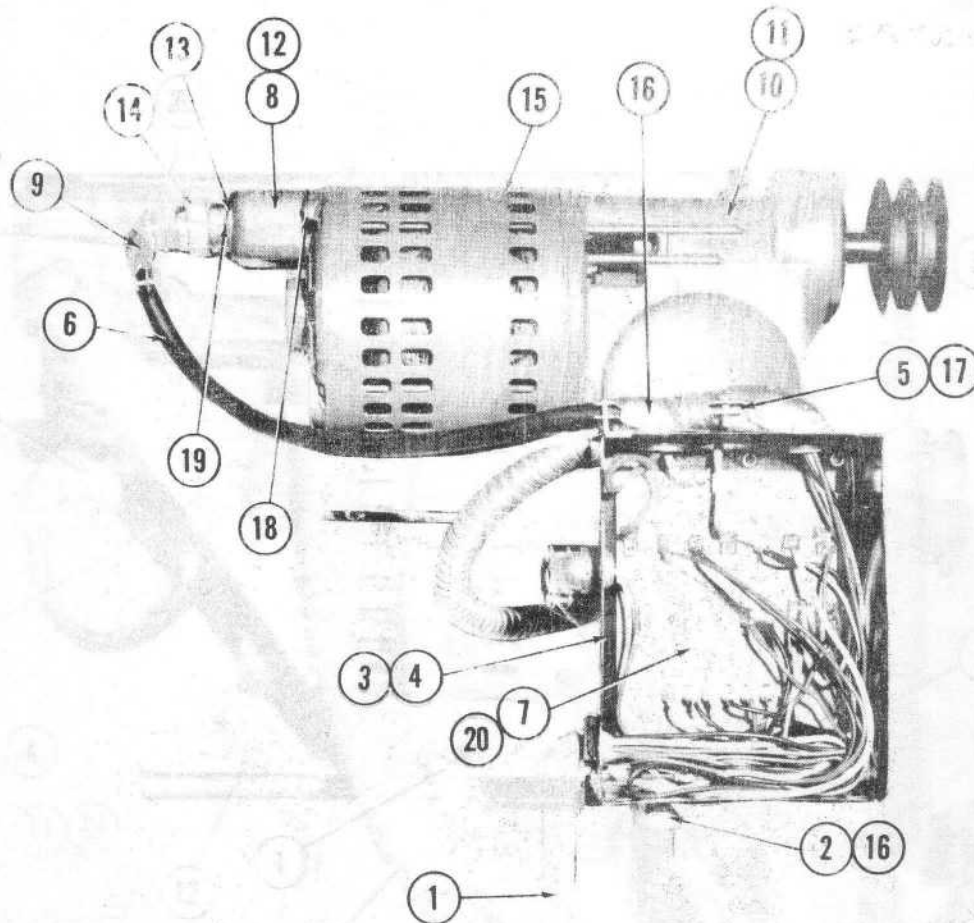


REAR DRIVE, CARPET, ELEVATOR, BALL LIFT

| <u>ITEM</u> | <u>PART NO.</u> | <u>DESCRIPTION</u> | <u>ITEM</u> | <u>PART NO.</u> | <u>DESCRIPTION</u> |
|-------------|-----------------|--------------------------------------|-------------|-----------------|---------------------------------------|
| 1 | 030 002 364 | BRACKET, B.E. MOTOR | 13b | 807 357 040 | SCREW, SOC. SET 5/16-18 X 1/4 |
| 2 | 030 003 073 | SHEAVE | 14b | 807 358 060 | SCREW, SOC. SET 5/16-24 X 3/8 |
| 3 | 030 003 757 | DRIP PAN | 15b | 810 258 160 | SCREW, SOC. HD. CAP 5/16-24 X 1 |
| 4 | 030 005 134 | SPACER PLATE | 16b | 810 266 120 | SCREW, SOC. HD. CAP 3/8-24 X 3/4 |
| 5 | 030 005 135 | SPACER PLATE | 17b | 810 266 240 | SCREW, SOC. HD. CAP 3/8-24 X 1 1/2 |
| 6 | 030 007 905 | MOTOR, B.E., R.H. | 18 | 844 066 002 | LOCKNUT 3/8-24 |
| 7 | 030 007 906 | MOTOR, B.E., L.H. | 19b | 907 000 500 | KEY |
| 8 | 000 023 673 | SHEAVE | 20b | 907 001 100 | KEY |
| 9 | 000 023 758 | GASKET (NOT SHOWN) | 21b | 951 156 002 | LOCK WASHER 5/16 |
| 10 | 000 027 390 | DISTR. DRIVE Hsg. | | | |
| 11 | 743 000 014 | CAPACITOR (NOT SHOWN) | | | |
| 12 | 802 257 050 | SCREW, SL. HD. SET 5/16-18 X 5/16 | | | |

b REFER TO PRICE LIST FOR MINIMUM ORDER QUANTITY AND PRICE.

B.E. MOTOR

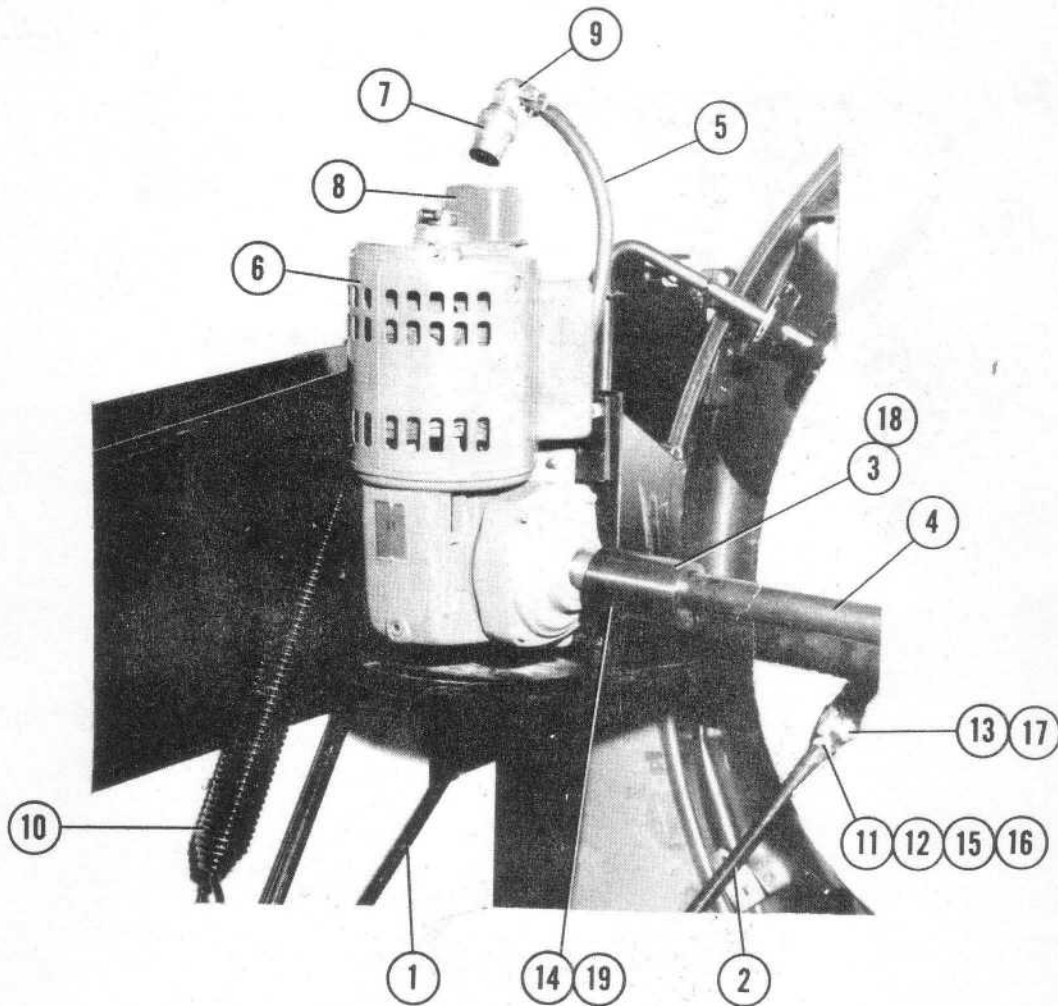


"R" BOX TERMINAL ASSY.

| <u>ITEM</u> | <u>PART NO.</u> | <u>DESCRIPTION</u> | <u>ITEM</u> | <u>PART NO.</u> | <u>DESCRIPTION</u> |
|-------------|-----------------|--------------------------|-------------|-----------------|--------------------------------------|
| 1 | 030 002 663 | CONDUIT | 11 | 030 007 906 | MOTOR, B.E., L.H. |
| 2 | 030 002 693 | CONDUIT | 12 | 000 025 590 | HOUSING |
| 3 | 030 003 721 | "R" Box CABINET, R.H. | 13 | 000 025 906 | RECEPTACLE |
| 4 | 030 003 722 | "R" Box CABINET, L.H. | 14 | 000 025 907 | PLUG |
| 5 | 030 005 655 | FLEXIBLE CONDUIT | 15 | 743 000 020 | CAPACITOR (NOT SHOWN) |
| 6 | 030 005 894 | MOTOR CABLE, R.H. & L.H. | 16 | 746 001 021 | STRAIGHT CONNECTOR |
| 7 | 030 006 102 | SUPPORT & PLATE ASSY. | 17 b | 746 003 008 | 90° CONNECTOR |
| 8 | 030 006 772 | Hsg. & RECEPTACLE ASSY. | 18 b | 827 327 062 | SCREW, Hsg. MOUNTING 6-32 X 3/8 |
| 9 | 030 006 779 | 90° CONNECTOR (SPECIAL) | 19 b | 828 527 042 | SCREW, RECEPTACLE MTG. 6-32 X 1/4 |
| 10 | 030 007 905 | MOTOR, B.E., R.H. | 20 b | 933 623 040 | RIVET, RD. HD. STEEL |

b REFER TO PRICE LIST FOR MINIMUM ORDER QUANTITY AND PRICE.

SWEEP MOTOR

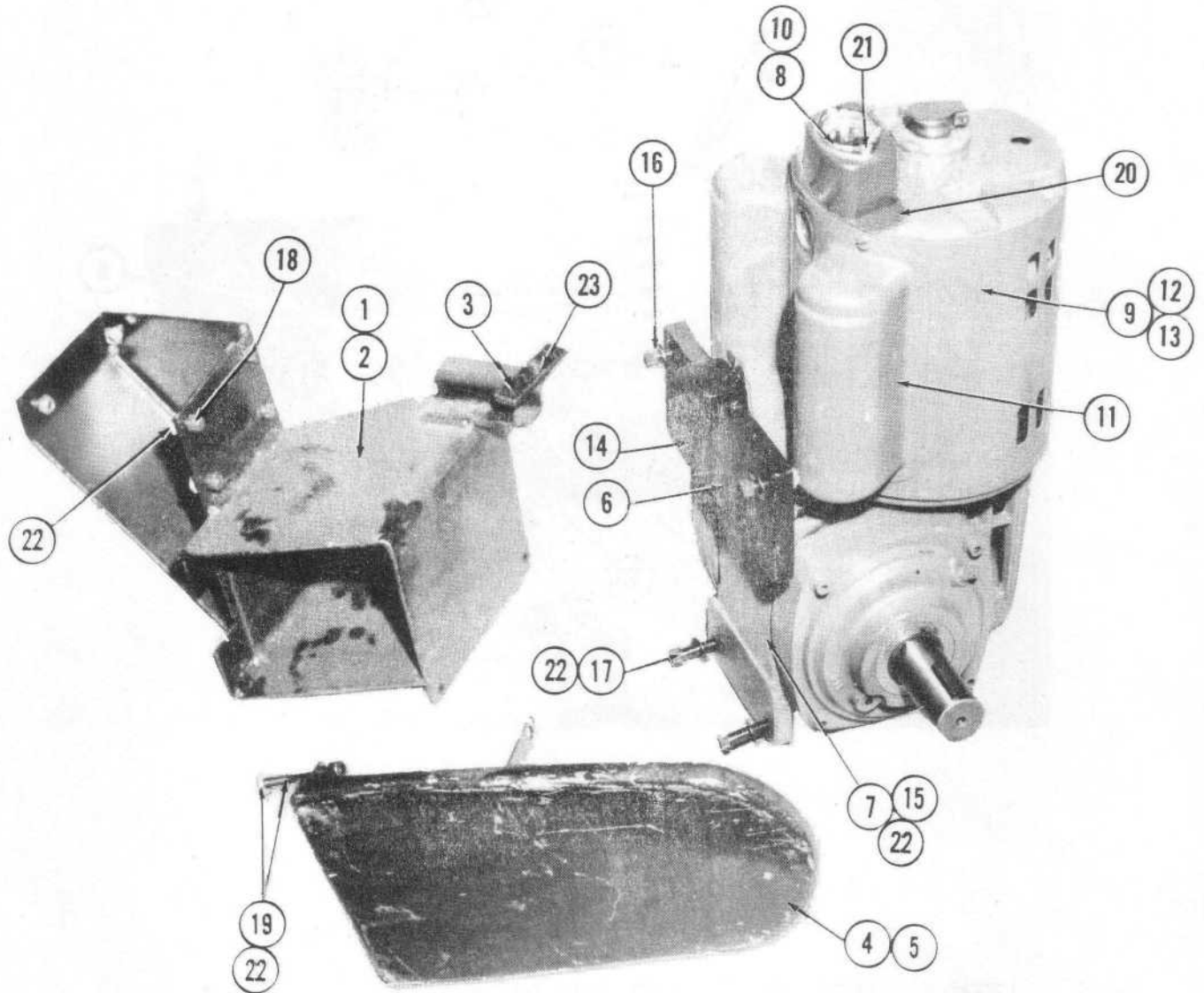


SWEEP, TABLE, SUPPORTS

| <u>ITEM</u> | <u>PART NO.</u> | <u>DESCRIPTION</u> | <u>ITEM</u> | <u>PART NO.</u> | <u>DESCRIPTION</u> |
|-------------|-----------------|-------------------------|-------------|-----------------|---------------------------------------|
| 1 | 030 001 105 | CONNECTING ROD | 12 b | 000 025 005 | END FITTING, L.H. |
| 2 | 030 001 106 | CONNECTING ROD | 13 b | 809 870 205 | SCREW, HEX HD. CAP 7/16-20 X 1 1/4 |
| 3 | 030 003 257 | COUPLING | 14 b | 810 266 200 | SCREW, SOC. HD. CAP 3/8-24 X 1 1/4 |
| 4 | 030 003 435 | SHAFT | 15 b | 835 570 002 | NUT HEX JAM R.H. 6-32 |
| 5 | 030 005 896 | MOTOR CABLE ASSY. | 16 b | 835 670 002 | NUT HEX JAM L.H. 7/16-20 |
| 6 | 030 006 510 | MOTOR COMBINATION | 17 b | 844 070 002 | LOCKNUT 7/16-20 |
| 7 | 030 006 527 | HSG. & RECEPTACLE ASSY. | 18 b | 907 000 900 | KEY |
| 8 | 030 006 771 | HSG. & RECEPTACLE ASSY. | 19 b | 951 164 002 | LOCK WASHER 5/16 |
| 9 | 030 006 779 | 90° CONNECTOR (SPECIAL) | | | |
| 10 | 000 022 782 | SPRING | | | |
| 11 b | 000 025 004 | END FITTING, R.H. | | | |

b REFER TO PRICE LIST FOR MINIMUM ORDER QUANTITY AND PRICE.

SWEEP MOTOR



MOTOR MOUNTING - SWEEP DRIVE

| ITEM | PART NO. | DESCRIPTION | ITEM | PART NO. | DESCRIPTION |
|------|-------------|--|------|-------------|---|
| 1 | 030 001 547 | MOUNTING WELD. R.H. | 15 b | 808 866 200 | SCREW, FL. SOC. HD. CAP 3/8-24 X 1 1/4 |
| 2 | 030 002 126 | MOUNTING WELD. L.H. | 16 b | 810 258 200 | SCREW, SOC. HD. CAP 5/16-24 X 1 1/4 |
| 3 b | 030 002 360 | LINK | 17 b | 810 258 240 | SCREW, SOC. HD. CAP 5/16-24 X 1 1/2 |
| 4 | 030 003 799 | DRIP PAN L.H. | 18 b | 810 266 120 | SCREW, SOC. HD. CAP 3/8-24 X 3/4 |
| 5 | 030 003 801 | DRIP PAN R.H. | 19 b | 810 266 440 | SCREW, SOC. HD. CAP 3/8-24 X 2 3/4 |
| 6 | 030 005 129 | SPACER PLATE | 20 b | 827 327 062 | SCREW, HOUSING 6-32 X 3/8 |
| 7 | 030 005 130 | SPACER PLATE | 21 b | 828 527 042 | SCREW RECEPTACLE 6-32 X 1/4 |
| 8 | 030 005 905 | MALE RECEPTACLE | 22 b | 844 066 002 | LOCKNUT 3/8-24 |
| 9 | 030 006 510 | MOTOR COMB. | 23 b | 963 400 002 | X WASHER |
| 10 | 030 006 771 | RECEPTACLE ASSY. (COMPLETE) | | | |
| 11 b | 743 000 020 | CAPACITOR | | | |
| 12 | 785 501 193 | CENTRIFUGAL MECHANISM | | | |
| 13 | 785 501 373 | CENTRIFUGAL SWITCH | | | |
| 14 b | 808 858 240 | SCREW, FL. SOC. HD. CAP 5/16-24 X 1 1/2 | | | |

b REFER TO PRICE LIST FOR MINIMUM ORDER QUANTITY AND PRICE.

TABLE MOTOR

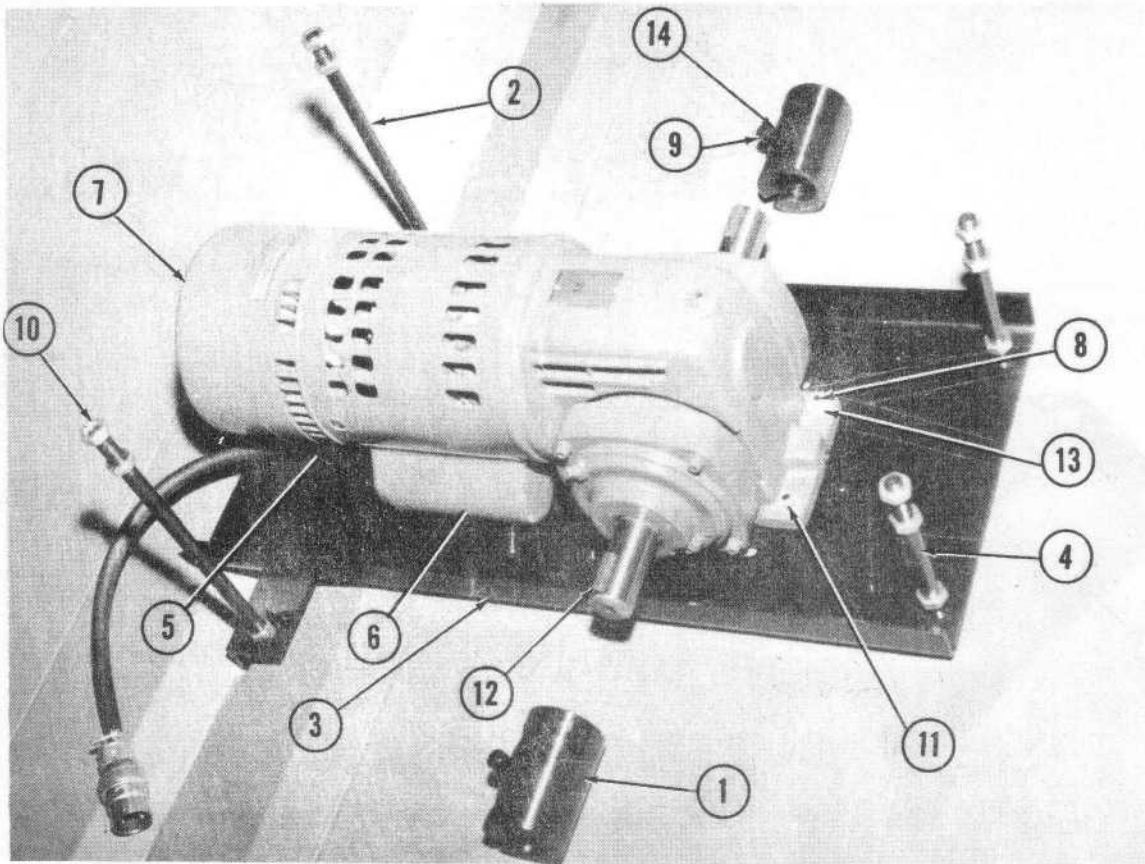
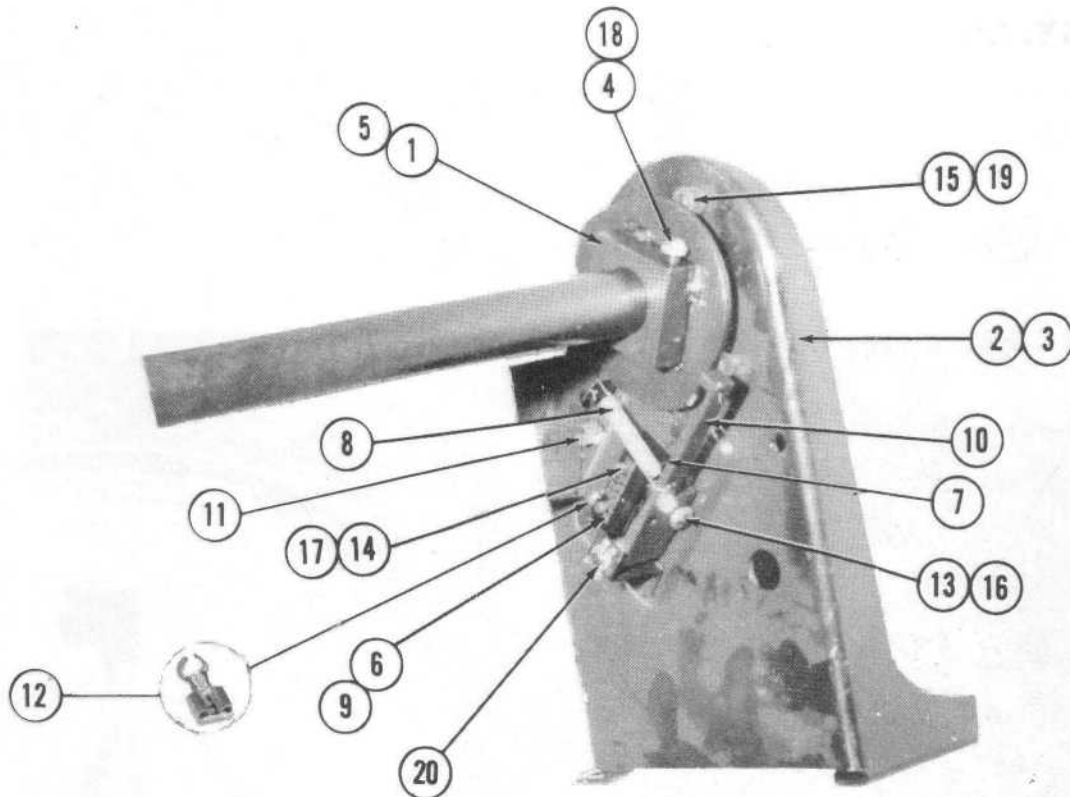


TABLE DRIVE MOTOR ASSY.

| <u>ITEM</u> | <u>PART NO.</u> | <u>DESCRIPTION</u> |
|-------------|-----------------|--|
| 1 | 030 003 257 | COUPLING |
| 2 | 030 005 108 | STUD, LONG |
| 3 | 030 005 113 | PAN |
| 4 | 030 005 114 | STUD, SHORT |
| 5 | 030 005 923 | RELAY (NOT SHOWN) |
| 6 | 030 005 924 | CAPACITOR |
| 7 | 030 006 510 | MOTOR COMB. |
| 8 b | 808 558 200 | SCREW, BUTTON SOC. HD. 5/16-24 X 1 1/4 |
| 9 b | 810 266 200 | SCREW, SOC. HD. CAP 3/8-24 X 1 1/4 |
| 10 b | 835 574 002 | HEX JAM NUT 5/16-18 |
| 11 | 839 758 002 | LOCK NUT 5/16-24 |
| 12 b | 907 000 900 | KEY |
| 13 b | 948 761 112 | WASHER 11/32 X 11/16 X 1/16 |
| 14 b | 951 164 002 | LOCK WASHER 3/8 |

b REFER TO PRICE LIST FOR MINIMUM ORDER QUANTITY AND PRICE.

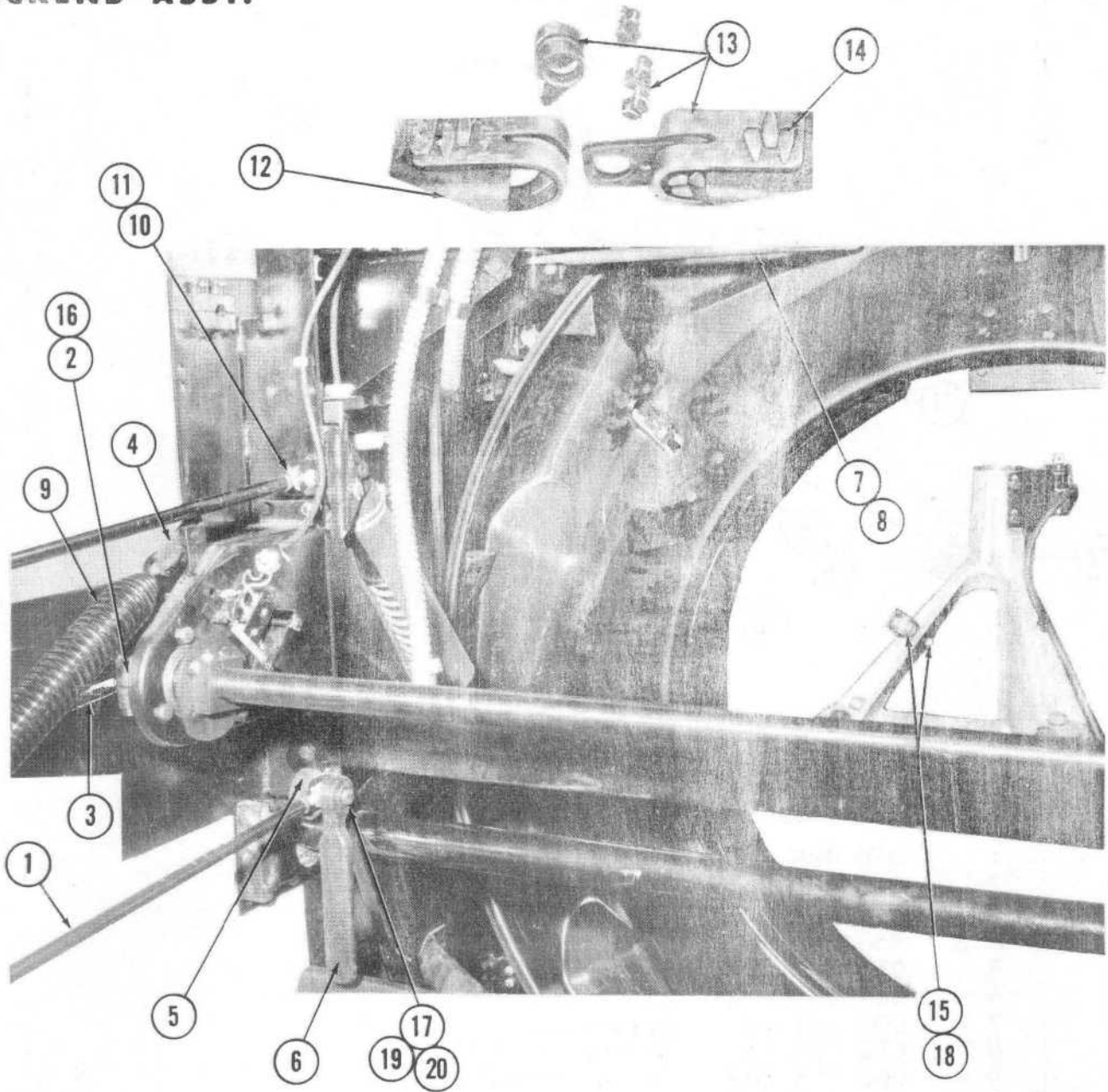


CAM - SWITCH - SUPPORT ASSY.

| <u>ITEM</u> | <u>PART NO.</u> | <u>DESCRIPTION</u> |
|-------------|-----------------|----------------------------------|
| 1 | 030 005 983 | SWEEP CAM ASSY., L.H. |
| 2 | 030 006 065 | SUPPORT WELDMENT, R.H. |
| 3 | 030 006 066 | SUPPORT WELDMENT, L.H. |
| 4 b | 030 006 070 | STUD |
| 5 | 030 006 207 | SWEEP CAM ASSY., R.H. |
| 6 b | 030 008 014 | GUARD (NOT SHOWN) |
| 7 b | 000 022 296 | INSULATOR |
| 8 b | 000 024 657 | SPRING |
| 9 b | 000 026 042 | MICRO SWITCH |
| 10 | 000 027 018 | SWITCH LEVER |
| 11 b | 760 010 073 | TERMINAL (GROUND) |
| 12 b | 760 017 036 | TERMINAL |
| 13 b | 809 849 145 | SCREW, HEX HD. CAP 1/4-20 X 7/8 |
| 14 b | 810 227 200 | SCREW, SOC. HD. CAP 6-32 X 1 1/4 |
| 15 b | 810 266 120 | SCREW, SOC. HD. CAP 3/8-24 X 3/4 |
| 16 b | 835 549 002 | NUT, HEX JAM 1/4-20 |
| 17 b | 839 527 002 | NUT, SELF LOCKING 6-32 |
| 18 b | 844 050 002 | NUT, SELF LOCKING 1/4-28 |
| 19 b | 844 066 002 | NUT, SELF LOCKING 3/8-24 |
| 20 b | 963 400 002 | X WASHER |

b REFER TO PRICE LIST FOR MINIMUM ORDER QUANTITY AND PRICE.

BACKEND ASSY.

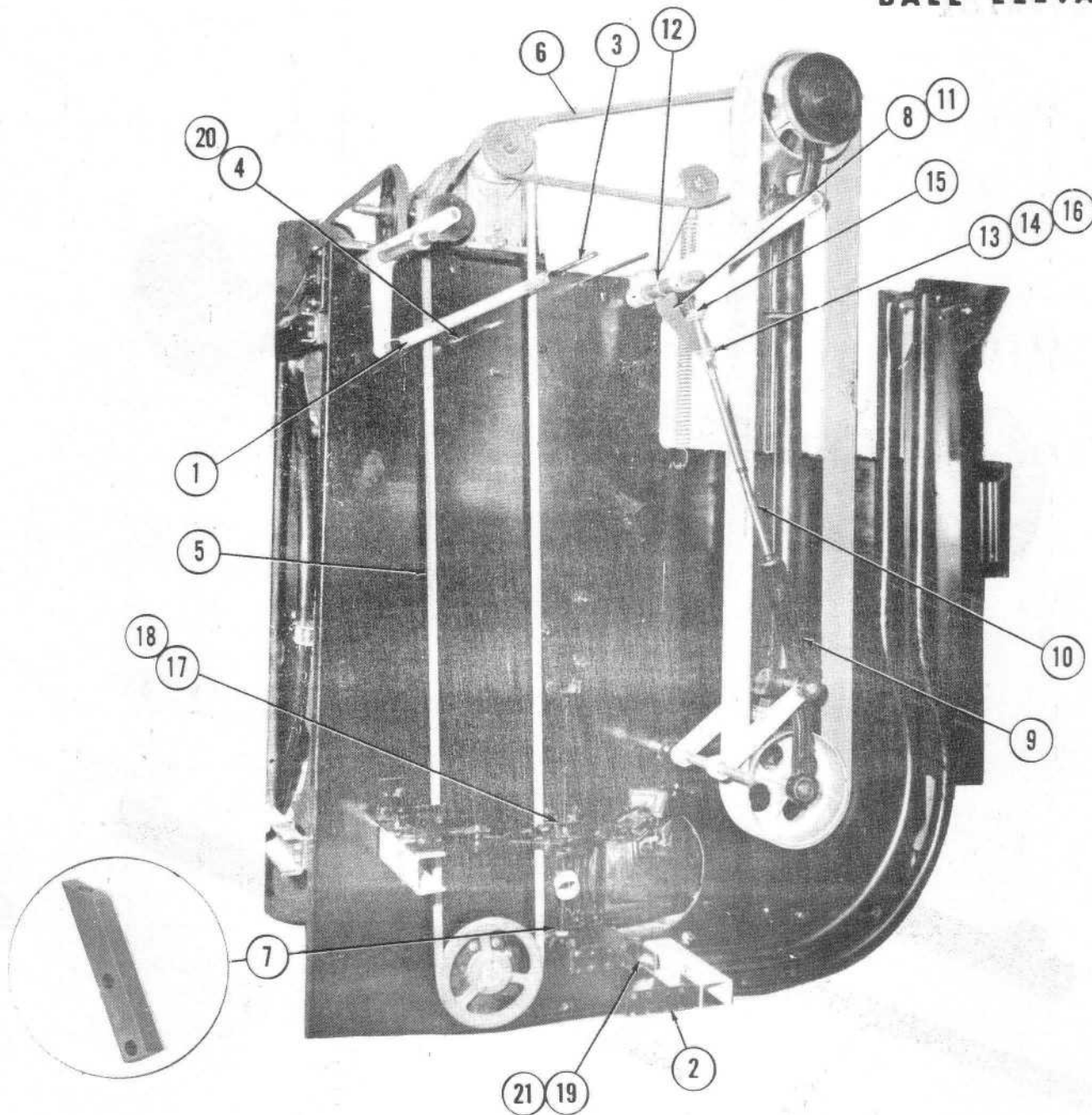


ELEVATOR DRIVE BELT & BACK END ASSY.

| <u>ITEM</u> | <u>PART NO.</u> | <u>DESCRIPTION</u> | <u>ITEM</u> | <u>PART NO.</u> | <u>DESCRIPTION</u> |
|-------------|-----------------|----------------------|-------------|-----------------|---------------------------------------|
| 1 | 030 001 105 | CONNECTING ROD | 12 | 000 025 731 | DRIVE BELT ASSY. |
| 2 | 030 001 257 | CRANK ARM | 13 | 702 600 002 | FASTENER |
| 3 | 030 001 387 | CONNECTING ROD | 14 b | 716 003 000 | NAILS |
| 4 b | 030 002 360 | LINK | 15 b | 724 504 027 | CABLE CLAMP |
| 5 b | 030 004 885 | RUBBER WASHER | 16 b | 809 870 285 | SCREW, HEX HD. CAP 7/16-20 X 1 3/4 |
| 6 | 030 006 505 | RUBBER GUARD | 17 b | 809 870 445 | SCREW, HEX HD. CAP 7/16-20 X 2 3/4 |
| 7 | 030 007 912 | PIN STABILIZER, R.H. | 18 b | 823 632 042 | SCREW, SELF TAPPING R X 1/4 |
| 8 | 030 007 913 | PIN STABILIZER, L.H. | 19 | 844 070 002 | LOCKNUT 7/16-20 |
| 9 | 000 022 782 | SPRING | 20 b | 949 100 002 | WASHER, PLAIN 15/32 X 59/64 X 1/16 |
| 10 b | 000 025 004 | END FITTING, R.H. | | | |
| 11 b | 000 025 005 | END FITTING, L.H. | | | |

b REFER TO PRICE LIST FOR MINIMUM ORDER QUANTITY AND PRICE.

BALL ELEVATOR

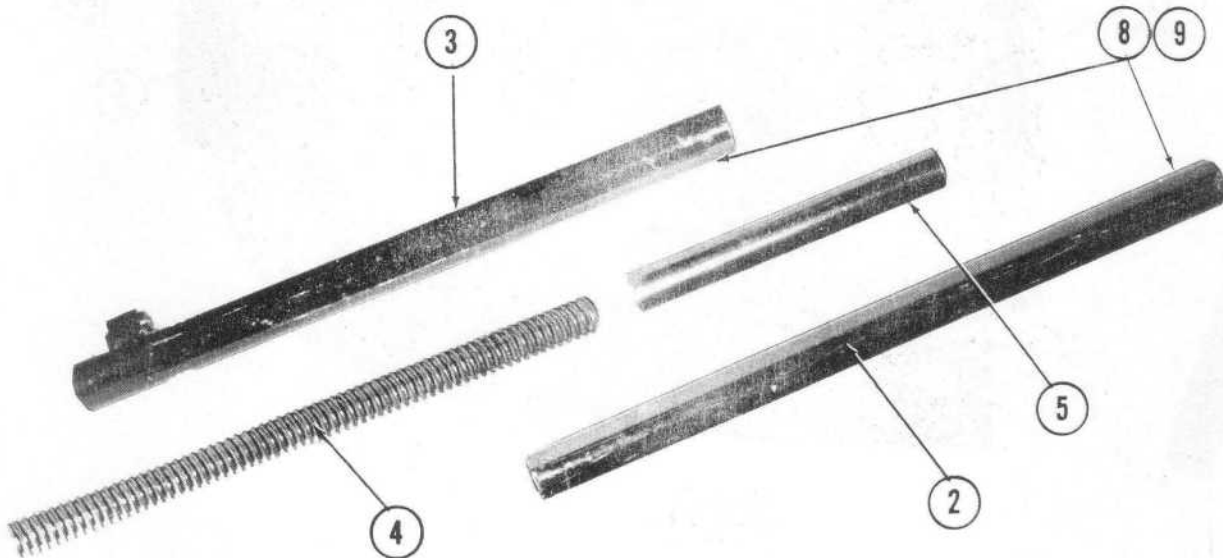
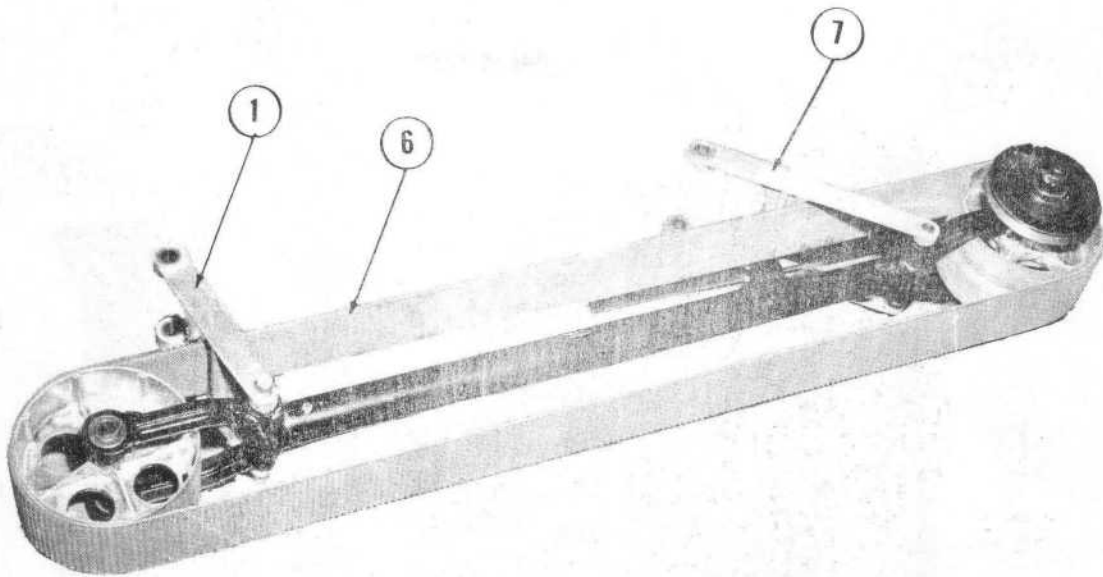


BALL ELEVATOR AND BALL DOOR ASSY.

| <u>ITEM</u> | <u>PART NO.</u> | <u>DESCRIPTION</u> | <u>ITEM</u> | <u>PART NO.</u> | <u>DESCRIPTION</u> |
|-------------|-----------------|---|-------------|-----------------|---------------------------------------|
| 1 | 030 002 556 | SPRING | 13 b | 000 027 996 | CUSHION |
| 2 | 030 004 681 | ANGLE BRACKET | 14 b | 000 027 998 | RETAINER |
| 3 b | 030 004 770 | ROD | 15 b | 000 028 002 | NUT |
| 4 | 030 004 771 | TIE ROD | 16 b | 000 028 057 | RETAINER |
| 5 | 030 005 197 | DRIVE BELT | 17 | 730 037 026 | BRACKET, R.H. (FIELD USE ONLY) |
| 6 | 030 006 017 | DRIVE BELT | 18 | 730 038 027 | BRACKET, L.H. (FIELD USE ONLY) |
| 7 | 030 006 182 | BRACKET, BALL DOOR (FIELD USE ONLY) | 19 | 844 058 002 | LOCKNUT 5/16-24 |
| 8 | 030 008 058 | BRACKET | 20 b | 844 065 002 | LOCKNUT 3/8-16 |
| 9 | 030 008 060 | SHOCK ABSORBER | 21 b | 948 761 112 | WASHER, PLAIN 11/32 X 11/16 X 1/16 |
| 0 | 030 008 061 | EXTENSION | | | |
| 1 | 030 008 079 | BRACKET WELD. (FOR NON- SEPARATOR TYPE TRACK RAIL) | | | |
| 12 b | 000 024 737 | COLLAR | | | |

b REFER TO PRICE LIST FOR MINIMUM ORDER QUANTITY AND PRICE.

BALL ELEVATOR

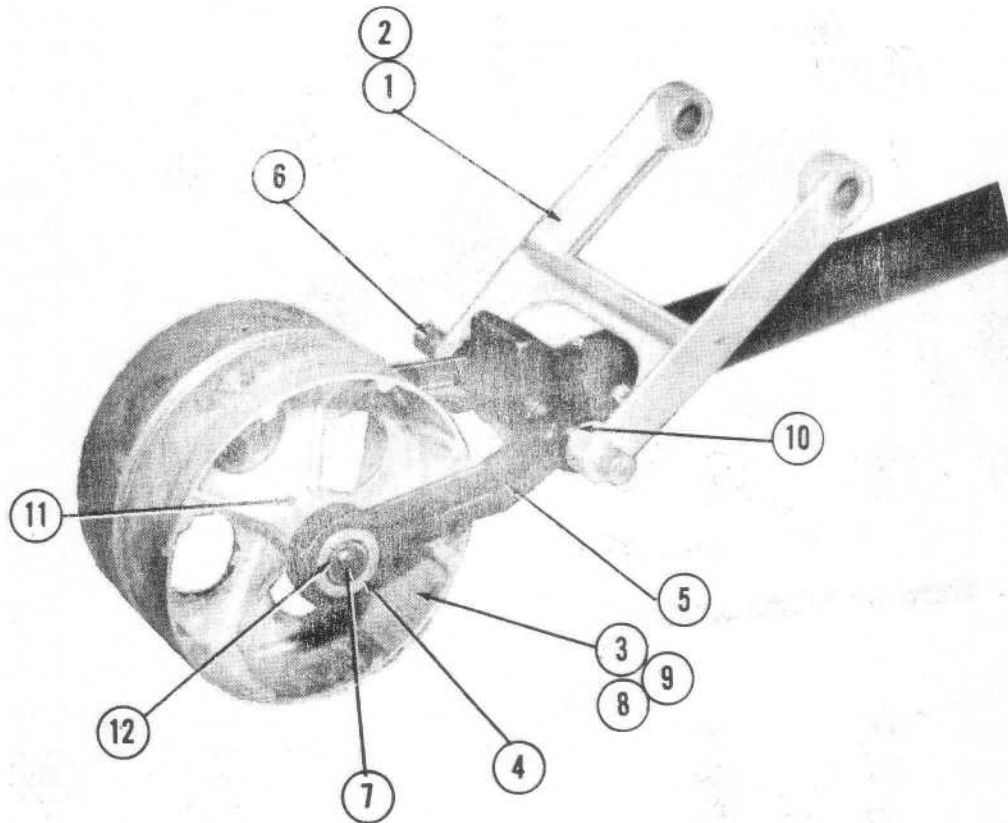


BALL ELEVATOR - TUBE ASSY.

| <u>ITEM</u> | <u>PART NO.</u> | <u>DESCRIPTION</u> |
|-------------|-----------------|---|
| 1 | 030 001 677 | FORK ASSY. (LOWER) |
| 2 | 030 001 687 | TUBE |
| 3 | 030 001 800 | TUBE ASSY. (LOWER) |
| 4 | 030 004 548 | SPRING |
| 5 | 030 004 621 | SPACER |
| 6 | 030 005 453 | BALL LIFT BELT |
| 7 | 030 005 949 | FORK ASSY. (UPPER) |
| 8 b | 810 249 360 | SCREW, SOG. HD. CAP (NOT SHOWN) 1/4-20 X 2 1/4 |
| 9 b | 913 437 240 | LOCKNUT .187 X 1 1/2 (NOT SHOWN) |

b REFER TO PRICE LIST FOR MINIMUM ORDER QUANTITY AND PRICE.

BALL ELEVATOR

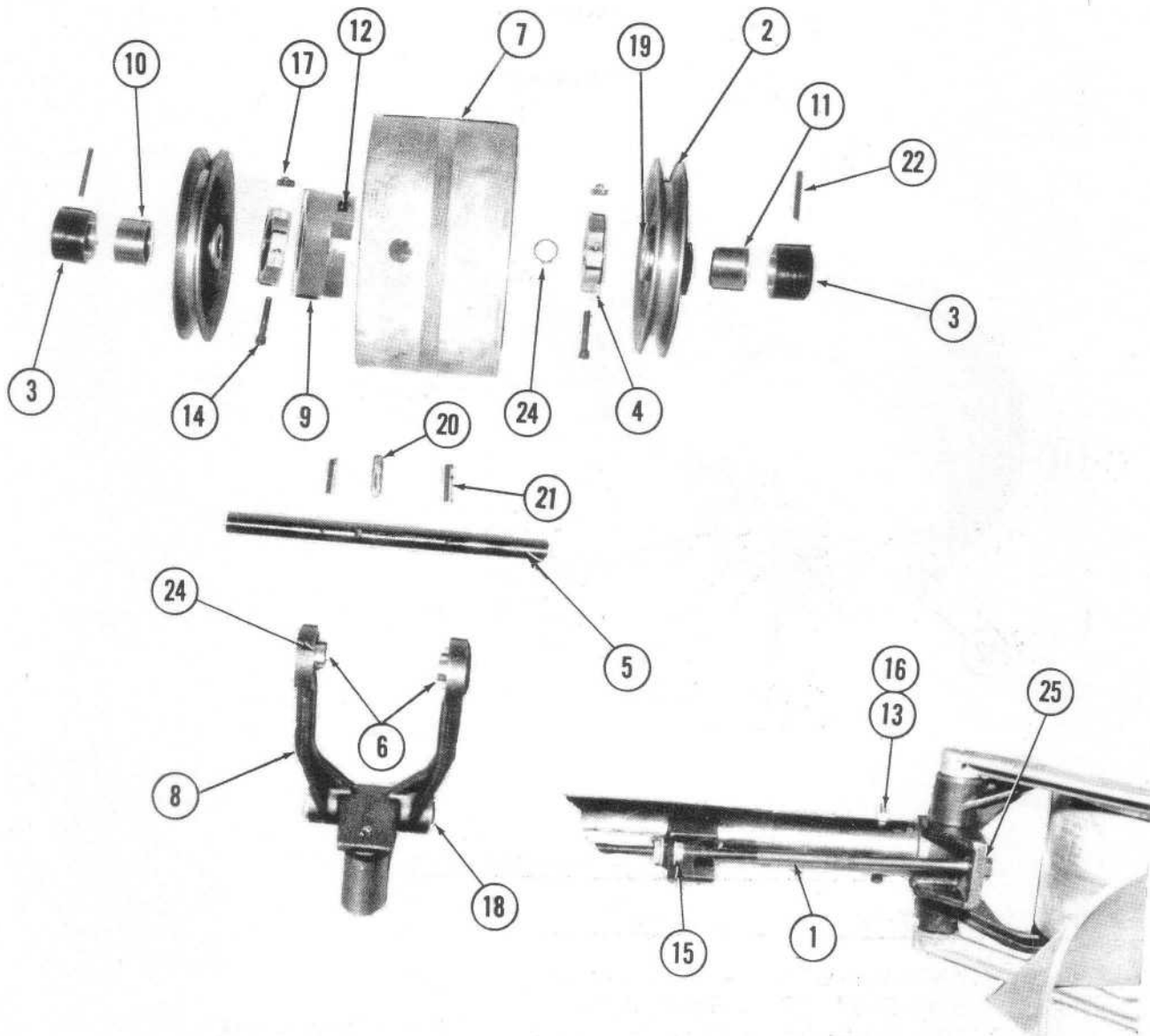


BALL ELEVATOR - LOWER ASSY.

| <u>ITEM</u> | <u>PART NO.</u> | <u>DESCRIPTION</u> |
|-------------|-----------------|---|
| 1 | 030 001 675 | FORK, LOWER |
| 2 | 030 001 677 | FORK ASSY. |
| 3 | 030 005 945 | PULLEY (USED WITH 912 248 200) |
| 4 | 030 007 407 | BEARING |
| 4A | 030 004 790 | BEARING (EFF. TO S.N. 7617) |
| 5 | 030 007 423 | YOKE ASSY., LOWER TUBE |
| 6 | b 030 008 004 | SHAFT |
| 7 | 030 005 732 | SHAFT (EFF. TO S.N. 5217) |
| 7A | 030 004 791 | SHAFT (EFF. S.N. 5218-7617) |
| 7B | 030 008 364 | SHAFT (EFF. S.N. 7618 AND UP) |
| 8 | 030 008 366 | PULLEY (USED WITH 8388 COLLAR KIT) (NOT SHOWN) |
| 9 | 030 008 388 | COLLAR & SET SCREW KIT (USED WITH 8366 PULLEY) (NOT SHOWN) |
| 10 | b 900 212 161 | BEARING |
| 11 | b 912 248 200 | GROOVE PIN |
| 12 | b 919 005 800 | RETAINER RING |

b REFER TO PRICE LIST FOR MINIMUM ORDER QUANTITY AND PRICE.

BALL ELEVATOR

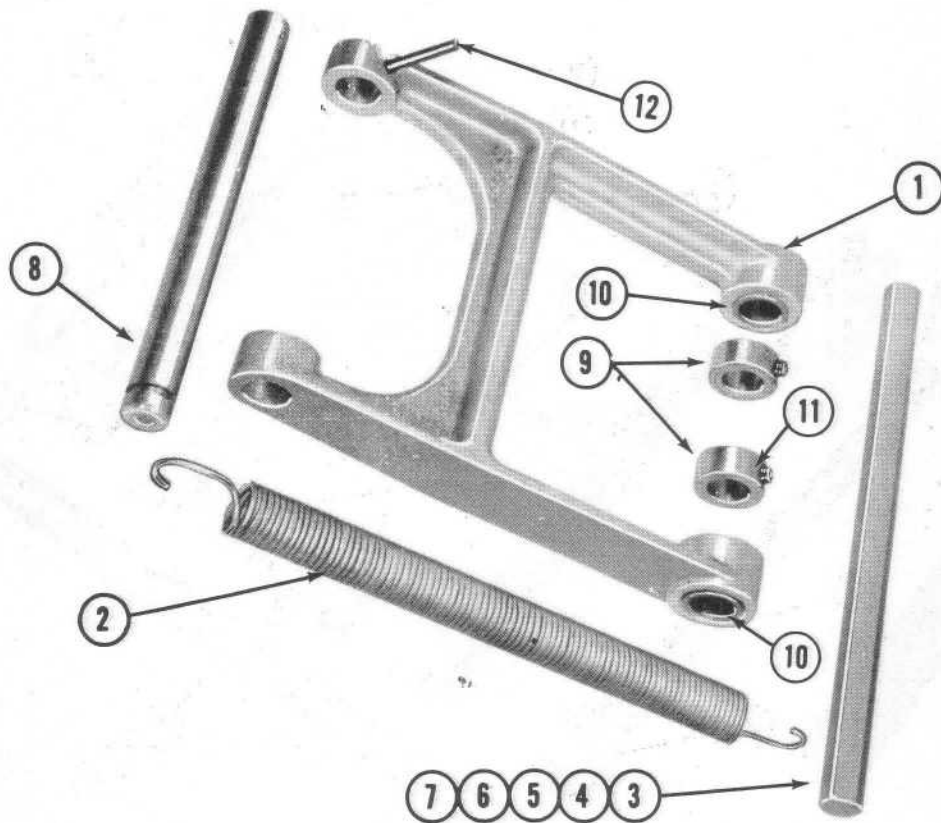


BALL ELEVATOR - UPPER

| ITEM | PART NUMBER | DESCRIPTION | ITEM | PART NUMBER | DESCRIPTION |
|------|-------------|---------------------------------|------|---------------|--|
| 1 | 030 001 793 | BOLT | 12 | b 806 265 240 | SET SCREW, Sq. Hd. 3/8-16 x 1 1/2 |
| 2 | 030 001 799 | SHEAVE ASSY. R. & L.H. | 13 | b 810 249 360 | SCREW, Soc. Hd. 1/4-20 x 2 1/4 |
| 3 | 030 001 899 | HUB | 14 | b 810 250 240 | SCREW, Soc. Hd. 1/4-28 x 1 1/2 |
| 4 | 030 003 189 | SPACER | 15 | b 835 566 002 | JAM NUT 3/8-24 |
| 5 | 030 004 794 | SHAFT (USE WITH ITEM 6) | 16 | b 840 049 002 | LOCK NUT 1/4-20 |
| 5A | 030 007 406 | SHAFT (USE WITH ITEM 6A) | 17 | b 844 050 002 | LOCK NUT 1/4-28 |
| 6 | 030 004 722 | BEARING (EFF. TO S.N. 7617) | 18 | 900 212 161 | BEARING |
| 6A | 030 007 407 | BEARING (EFF. AT S.N. 7618) | 19 | b 900 212 241 | BEARING |
| 7 | 030 005 945 | PULLEY (EFF. TO S.N. 74402) | 20 | b 912 248 200 | GROOVE PIN 1/4 x 1 1/4 (USED WITH ITEM 7) |
| 7A | 030 008 366 | PULLEY (EFF. AT S.N. 74403) | 21 | b 913 437 240 | ROLL PIN .187 x 1 1/2 |
| 8 | 030 007 422 | YOKE ASSY. | 22 | b 913 437 280 | ROLL PIN .187 x 1 3/4 |
| 9 | 030 008 365 | COLLAR | 23 | b 919 000 900 | RETAINER RING |
| 10 | 000 023 649 | OVERRUNNING CLUTCH L.H. WIND | 24 | b 919 005 800 | RETAINER RING |
| 11 | 000 023 650 | OVERRUNNING CLUTCH R.H. WIND | 25 | b 948 767 132 | PLAIN WASHER 13/32 |

b REFER TO PRICE LIST FOR MINIMUM ORDER QUANTITY AND PRICE.

BALL ELEVATOR

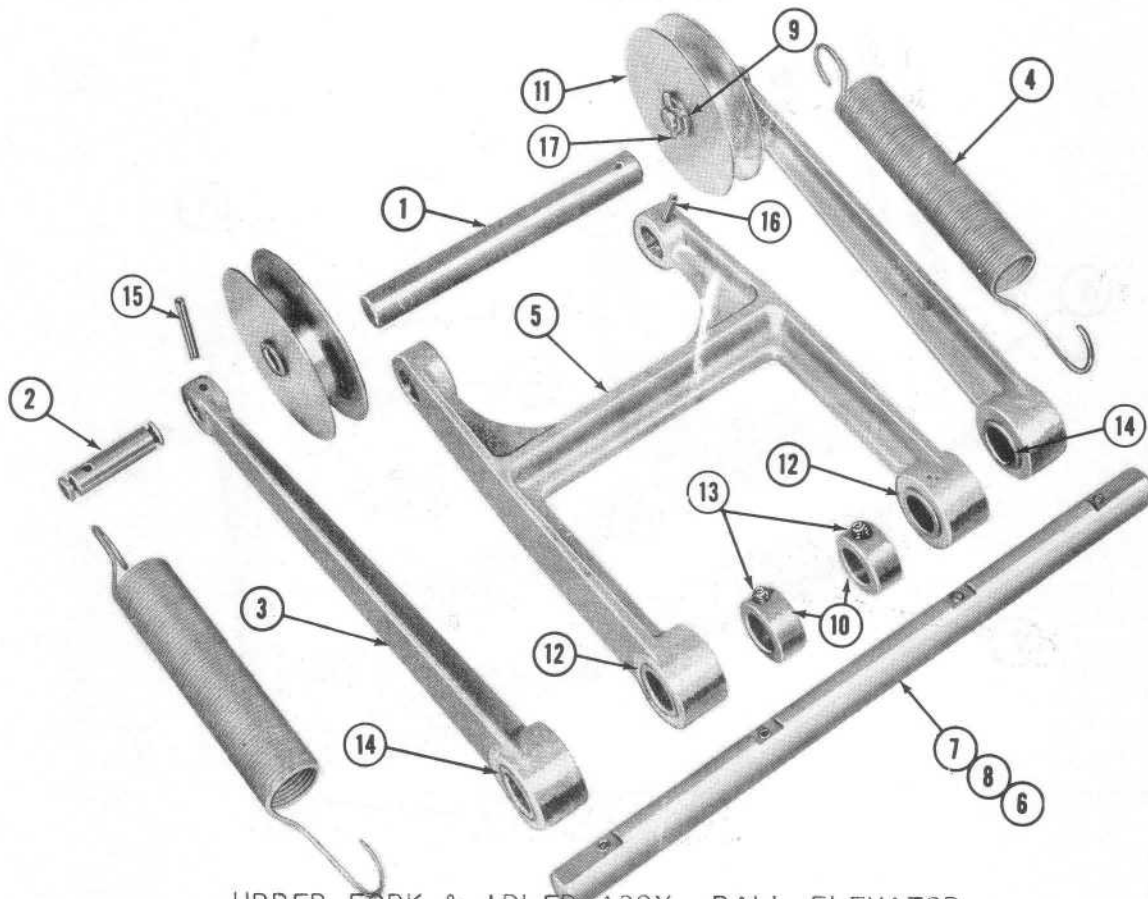


FORK ASSY. - LOWER BALL ELEVATOR

| <u>ITEM</u> | <u>PART NO.</u> | <u>DESCRIPTION</u> |
|-------------|-----------------|---|
| 1 | 030 001 677 | FORK ASSY., LOWER |
| 2 | 030 002 556 | SPRING |
| 3 | 030 003 270 | SHAFT, LOWER (TO 10 3/4" KICKBACK) |
| 4 | 030 004 917 | SHAFT, LOWER (10 3/4" TO 11 9/16" KICKBACK) |
| 5 | 030 004 918 | SHAFT, LOWER (11 9/16" TO 12 3/8" KICKBACK) |
| 6 | 030 004 919 | SHAFT, LOWER (12 3/8" TO 13 3/16" KICKBACK) |
| 7 | 030 004 920 | SHAFT, LOWER (13 3/16" TO 14" KICKBACK) |
| 8 | 030 005 951 | SHAFT |
| 9 b | 000 024 737 | COLLAR |
| 10 b | 701 524 080 | BEARING |
| 11 b | 807 358 080 | SET SCREW 5/16-24X1/2 |
| 12 b | 913 437 240 | ROLL PIN |

b REFER TO PRICE LIST FOR MINIMUM ORDER QUANTITY AND PRICE.

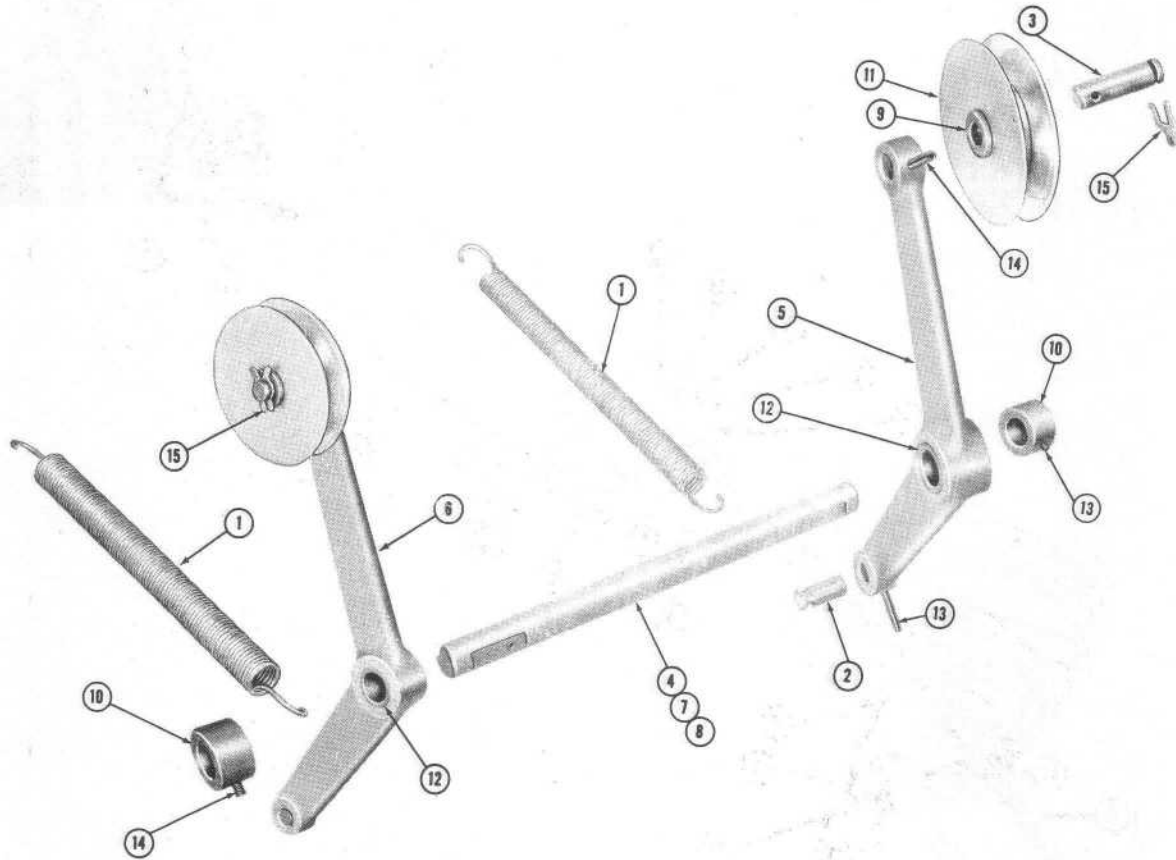
BALL ELEVATOR



UPPER FORK & IDLER ASSY.-BALL ELEVATOR

| <u>ITEM</u> | <u>PART NO.</u> | <u>DESCRIPTION</u> |
|-------------|-----------------|--|
| 1 | 030 001 669 | SHAFT |
| 2 | 030 002 488 | STUB SHAFT |
| 3 | 030 002 490 | ARM & BUSHING ASSY. |
| 4 | 030 002 557 | SPRING, IDLER |
| 5 | 030 005 949 | FORK ASSY., UPPER |
| 6 | 030 005 988 | SHAFT, UPPER (10 3/4" TO 12 3/8" KICKBACK) |
| 7 | 030 005 989 | SHAFT, UPPER (12 3/8" TO 14" KICKBACK) |
| 8 | 030 005 990 | SHAFT, UPPER (TO 10 3/4" KICKBACK) |
| 9 b | 030 007 924 | BEARING |
| 10 b | 000 024 737 | COLLAR |
| 11 | 000 028 223 | SHEAVE ASSY. |
| 12 b | 701 524 080 | BEARING (1 1/16" Lg.) |
| 13 b | 807 357 040 | SET SCREW 5/16-18 X 1/4 |
| 14 b | 900 112 161 | BEARING (1" Lg.) |
| 15 b | 913 437 160 | ROLL PIN |
| 16 b | 913 437 240 | ROLL PIN |
| 17 b | 963 600 002 | X WASHER |

b REFER TO PRICE LIST FOR MINIMUM ORDER QUANTITY AND PRICE.

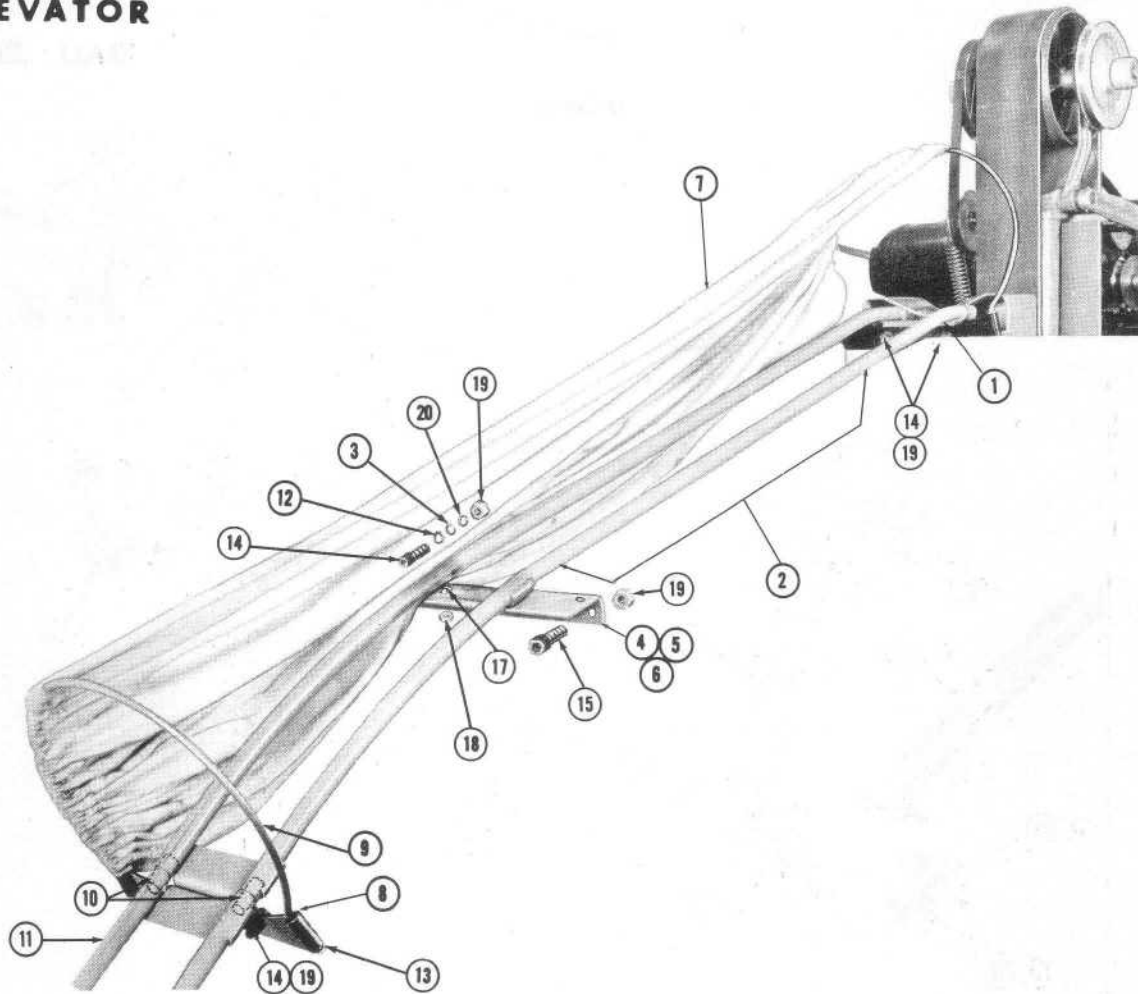


IDLER SHAFT ASSEMBLY

| <u>ITEM</u> | <u>PART NO.</u> | <u>DESCRIPTION</u> |
|-------------|-----------------|---|
| 1 | 030 002 556 | SPRING |
| 2 | 030 003 069 | STUB SHAFT |
| 3 b | 030 003 070 | STUB SHAFT |
| 4 | 030 003 075 | SHAFT, IDLER (TO 10 3/4" KICKBACK) |
| 5 | 030 003 077 | IDLER CRANK ASSY., L.H. |
| 6 | 030 003 078 | IDLER CRANK ASSY., R.H. |
| 7 | 030 004 915 | IDLER SHAFT (10 3/4" TO 12 3/8" KICKBACK) |
| 8 | 030 004 916 | IDLER SHAFT (12 3/8" TO 14" KICKBACK) |
| 9 b | 030 007 924 | BEARING |
| 10 b | 000 024 737 | SPACER |
| 11 | 000 028 223 | SHEAVE ASSY. |
| 12 b | 701 524 080 | BEARING 1 1/16" Lg. |
| 13 b | 807 357 040 | SET SCREW 5/16-18 X 1/4 |
| 14 b | 913 437 160 | ROLL PIN .187 X 1 |
| 15 b | 963 600 002 | X WASHER |

b REFER TO PRICE LIST FOR MINIMUM ORDER QUANTITY AND PRICE.

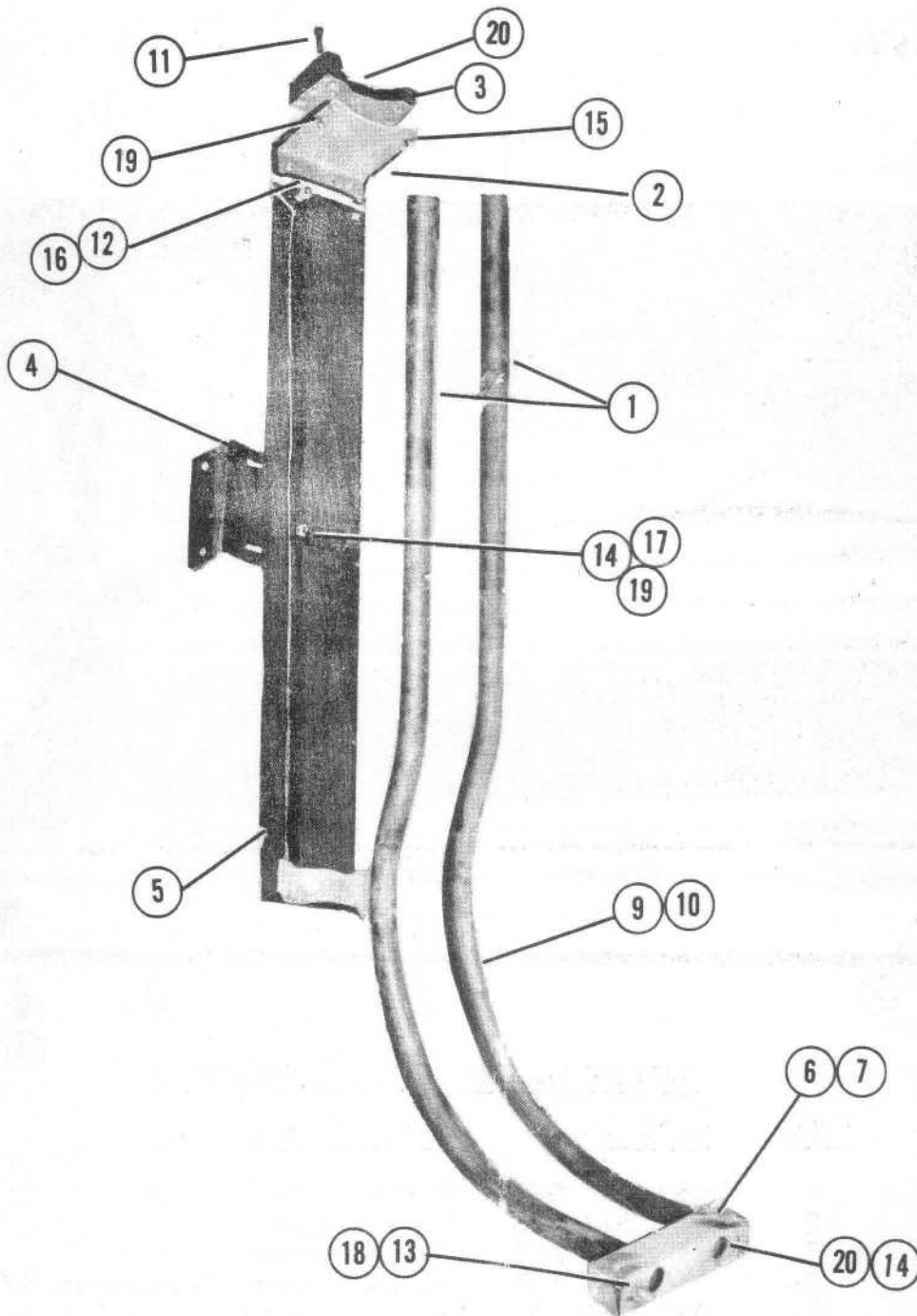
BALL ELEVATOR



BALL RETURN & BALL WIPER ASSEMBLY

| <u>ITEM</u> | <u>PART NO.</u> | <u>DESCRIPTION</u> | <u>ITEM</u> | <u>PART NO.</u> | <u>DESCRIPTION</u> |
|-------------|-----------------|-----------------------------------|-------------|-----------------|--------------------------------------|
| 1 | 030 002 892 | RAIL ASSY., REAR | 12 b | 000 024 906 | SHIM |
| 2 | 030 003 739 | DUST TRAP | 13 b | 718 001 003 | HAIR PIN |
| 3 b | 030 004 905 | SHIM | 14 b | 810 258 120 | SCREW, Soc. Hd. CAP 5/16-24 X 3/4 |
| 4 | 030 005 810 | ANGLE, NORMAL KICKBACK SPACING | 15 b | 810 258 140 | SCREW, Soc. Hd. CAP 5/16-24 X 7/8 |
| 5 | 030 005 811 | ANGLE (10 3/4" TO 12 3/8") | 16 b | 810 258 320 | SCREW, Soc. Hd. CAP 5/16-24 X 2 |
| 6 | 030 005 837 | ANGLE (12 3/8" TO 14") | 17 b | 812 850 082 | SCREW, RD. Hd. 1/4-28 X 1/2 |
| 7 | 030 008 083 | BALL WIPER CLOTH | 18 b | 844 050 002 | LOCKNUT 1/4-28 |
| 8 | 000 021 813 | SUPPORT | 19 b | 844 058 002 | LOCKNUT 5/16-24 |
| 9 b | 000 021 814 | RING | 20 b | 948 761 112 | SHIM |
| 10 b | 000 021 818 | PLUG | | | |
| 11 | 000 022 891 | RAIL ASSY., FRONT | | | |

b REFER TO PRICE LIST FOR MINIMUM ORDER QUANTITY AND PRICE.

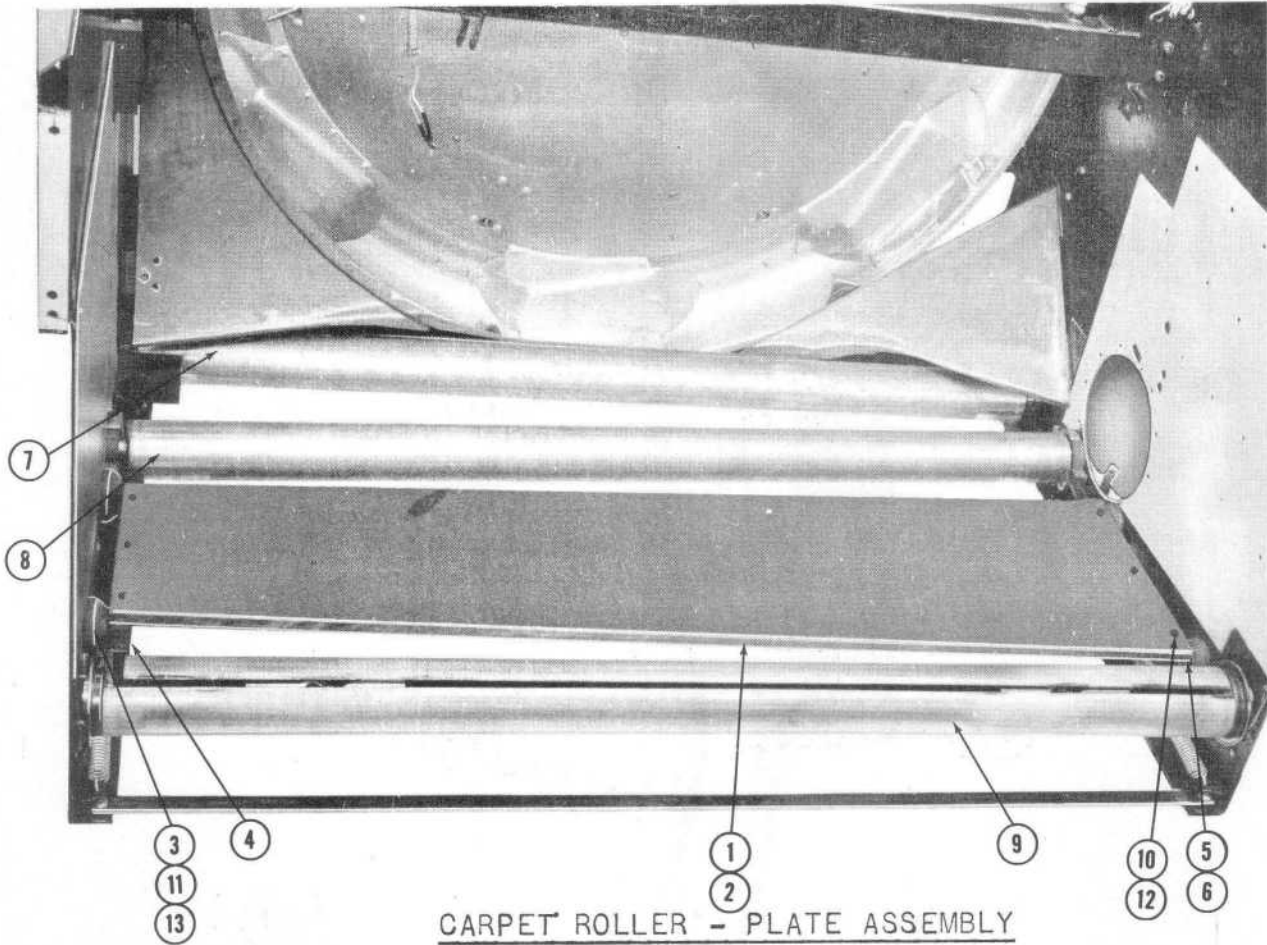


BALL LIFT TRACK ASSY.

| <u>ITEM</u> | <u>PART NO.</u> | <u>DESCRIPTION</u> | <u>ITEM</u> | <u>PART NO.</u> | <u>DESCRIPTION</u> |
|-------------|-----------------|--|-------------|-----------------|--|
| 1 | 030 004 680 | TRACK COVER | 12 b | 810 258 160 | SCREW, Soc. Hd. CAP 5/16-24 X 1 |
| 2 | 030 004 682 | MOUNTING PLATE | 13 b | 810 258 280 | SCREW, Soc. Hd. CAP 5/16-24 X 1 3/4 |
| 3 | 030 004 683 | MOUNTING PAD | 14 b | 810 266 140 | SCREW, Soc. Hd. CAP 3/8-24 X 7/8 |
| 4 | 030 004 684 | TRACK SUPPORT | 15 b | 810 266 160 | SCREW, Soc. Hd. CAP 3/8-24 X 1 |
| 5 | 030 004 688 | SUPPORT PLATE WELD. | 16 | 839 758 002 | LOCKNUT 5/16-24 |
| 6 | 030 004 693 | SPACER TRACK WELD., SHORT (9 1/2" TO 11 3/4") | 17 b | 844 066 002 | LOCKNUT 3/8-24 |
| 7 | 030 004 694 | SPACER TRACK WELD., LONG (11 3/4" TO 14") | 18 b | 948 761 112 | WASHER 11/32 X 11/16 X 1/16 |
| 8 | 030 004 697 | GUIDE (NOT SHOWN) | 19 | 948 767 132 | WASHER 13/32 X 13/16 X 1/16 |
| 9 | 030 005 972 | TRACK RAIL (METAL) | 20 b | 960 000 002 | LOCK WASHER 1220-00 |
| 10 | 030 005 973 | BALL LIFT TRACK ASSY. | | | |
| 11 b | 808 858 200 | SCREW, FL. Soc. Hd. 5/16-24 X 1 1/4 | | | |

b REFER TO PRICE LIST FOR MINIMUM ORDER QUANTITY AND PRICE.

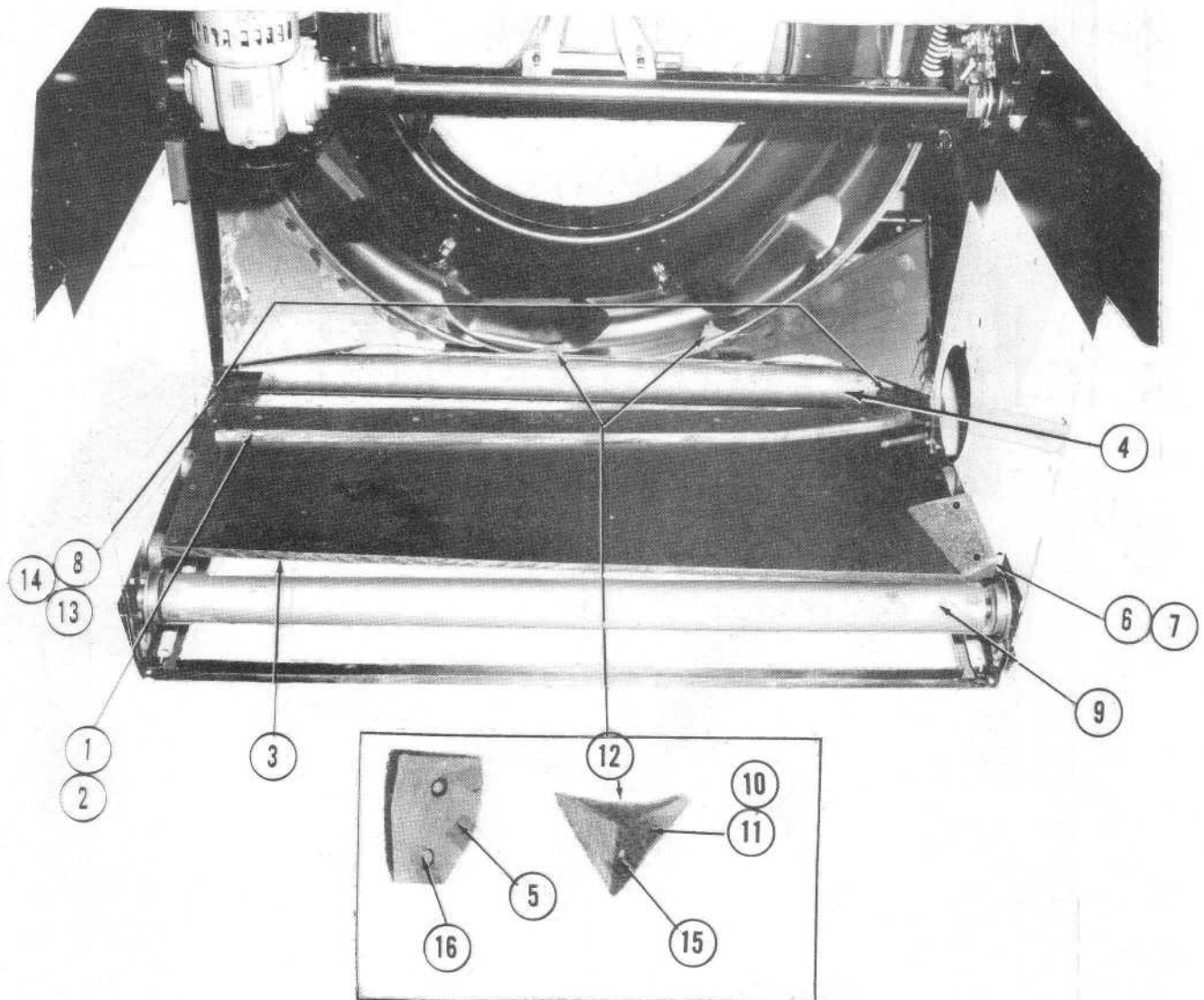
BACKEND ASSY.



CARPET ROLLER - PLATE ASSEMBLY

| <u>ITEM</u> | <u>PART NO.</u> | <u>DESCRIPTION</u> |
|-------------|-----------------|---|
| 1 | 030 002 928 | PLATE, R.H. |
| 2 | 030 002 953 | PLATE, L.H. |
| 3 | 030 003 473 | SHOCK MOUNT |
| 3A | 030 008 337 | SHOCK MOUNT (EFFECTIVE S/N 77868) |
| 4 | 030 003 736 | ANGLE, SHORT |
| 5 | 030 005 204 | ANGLE, LONG, L.H. |
| 6 | 030 005 205 | ANGLE, LONG, R.H. |
| 7 | 030 005 648 | REAR ROLLER ASSY. |
| 8 | 030 005 649 | MIDDLE ROLLER ASSY. |
| 9 | 000 024 576 | FRONT ROLLER ASSY. |
| 10 b | 808 850 200 | CAP SCREW, FL. HD. SOC. 1/4-28 X 1 1/4 |
| 11 b | 844 049 002 | LOCKNUT 1/4-20 |
| 12 b | 840 050 002 | LOCKNUT 1/4-28 |
| 13 b | 948 975 172 | WASHER, PLAIN 1 1/16 X 17/32 X 3/32 |

b REFER TO PRICE LIST FOR MINIMUM ORDER QUANTITY AND PRICE.

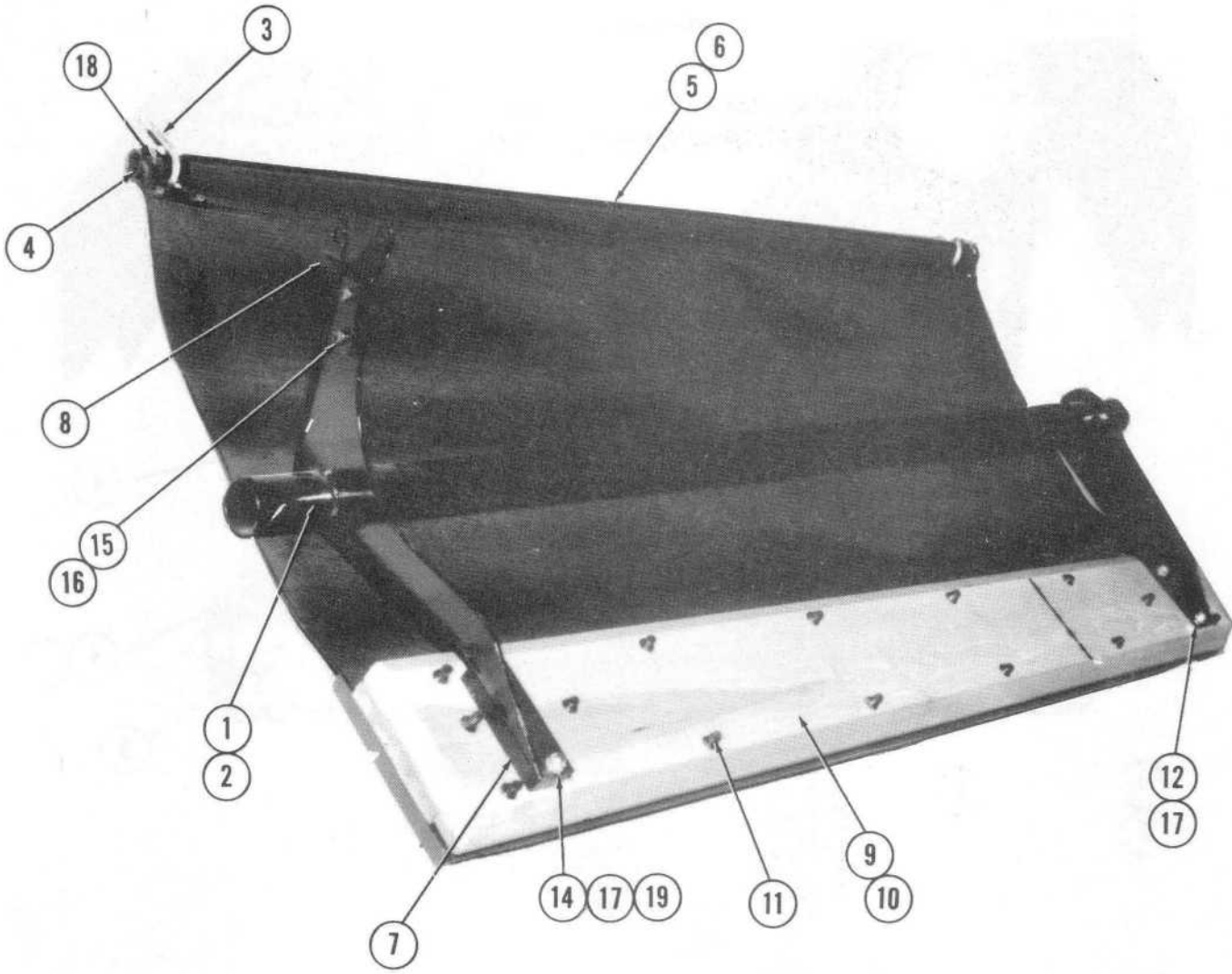


CARPET ROLLER PLATE ASSY., & PIN HOLDING BRACKET ASSY.

| <u>ITEM</u> | <u>PART NO.</u> | <u>DESCRIPTION</u> | <u>ITEM</u> | <u>PART NO.</u> | <u>DESCRIPTION</u> |
|-------------|-----------------|----------------------------------|-------------|-----------------|-----------------------------------|
| 1 | 030 005 568 | STRIP PLATE, CARPET, L.H. MACH. | 9 | 000 024 576 | ROLLER ASSY., FRONT |
| 2 | 030 005 569 | STRIP PLATE, CARPET, R.H. MACH. | 10 | 000 025 330 | PIN HOLDING BRACKET, L.H. |
| 3 | 030 005 570 | PLATE | 11 | 000 025 331 | PIN HOLDING BRACKET, R.H. |
| 4 | 030 005 648 | ROLLER ASSY., REAR | 12 | 000 025 378 | SCREW, NYLOCK |
| 5 | 030 005 926 | INSERT | 13 b | 810 258 100 | SCREW, SOC. HD. CAP 5/16-24 X 5/8 |
| 6 | 030 007 165 | PIN DEJAMMER, L.H. MACH. | 14 b | 844 058 002 | LOCKNUT 5/16-24 |
| 7 | 030 007 166 | PIN DEJAMMER, R.H. MACH. | 15 b | 923 037 100 | RIVET, ALUM., BRAZIER HD. |
| 8 b | 000 022 878 | ANGLE, CARPET, R.H. & L.H. MACH. | 16 b | 923 048 080 | RIVET, ALUM., BRAZIER HD. |

b REFER TO PRICE LIST FOR MINIMUM ORDER QUANTITY AND PRICE.

CUSHION

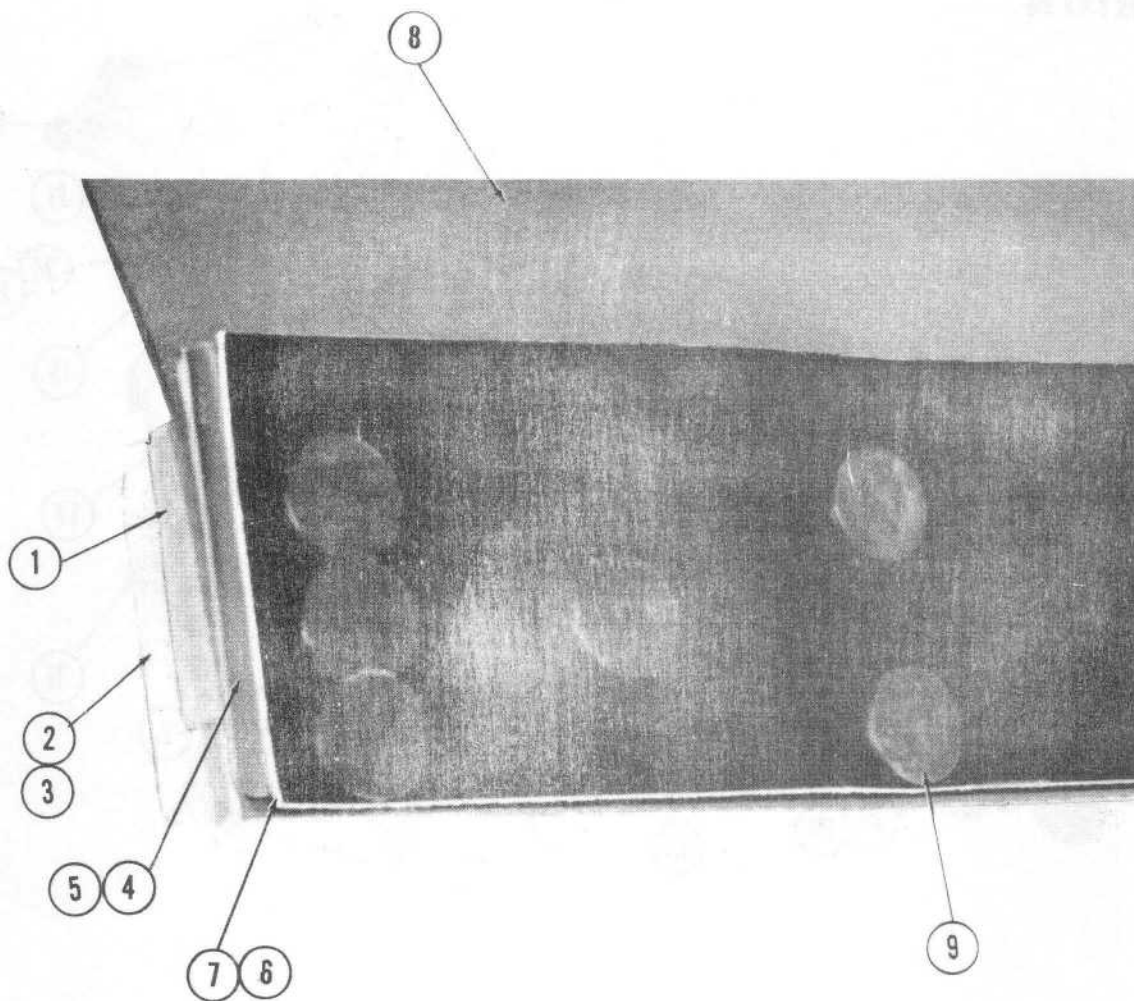


CUSHION - PIN CURTAIN ASSY.

| <u>ITEM</u> | <u>PART NO.</u> | <u>DESCRIPTION</u> | <u>ITEM</u> | <u>PART NO.</u> | <u>DESCRIPTION</u> |
|-------------|-----------------|-----------------------------------|-------------|-----------------|---------------------------------------|
| 1 | 030 002 792 | TUBE WELDMENT R.H. | 13 b | 808 866 400 | SCREW, FL. Soc. Hd. 3/8-24 X 2 1/2 |
| 2 | 030 002 793 | TUBE WELDMENT L.H. | 14 b | 808 866 520 | SCREW, FL. Soc. Hd. 3/8-24 X 3 1/4 |
| 3 b | 030 003 052 | HANGER | 15 b | 810 258 120 | SCREW, Soc. Hd. CAP 5/16-24 X 3/4 |
| 4 | 030 003 055 | ROD | 16 b | 844 058 002 | LOOKNUT 5/16-24 |
| 5 | 030 003 422 | CUSHION ASSY. (COMPLETE) L.H. | 17 b | 844 066 002 | LOOKNUT 3/8-24 |
| 6 | 030 003 423 | CUSHION ASSY. (COMPLETE) R.H. | 18 b | 911 015 282 | COTTER PIN 3/32 X 1 3/4 |
| 7 | 030 008 638 | SPACER | 19 b | 951 164 002 | LOCK WASHER 3/8-24 X 3 1/4 |
| 8 | 000 024 534 | EAR HANGER CUSHION | | | |
| 9 | 000 024 795 | PLANK, L.H. | | | |
| 10 | 000 024 796 | PLANK, R.H. | | | |
| 11 b | 000 028 519 | RUBBER RIVET | | | |
| 12 b | 808 866 320 | SCREW, FL. Soc. Hd. 3/8-24 X 2 | | | |

b REFER TO PRICE LIST FOR MINIMUM ORDER QUANTITY AND PRICE.

CUSHION

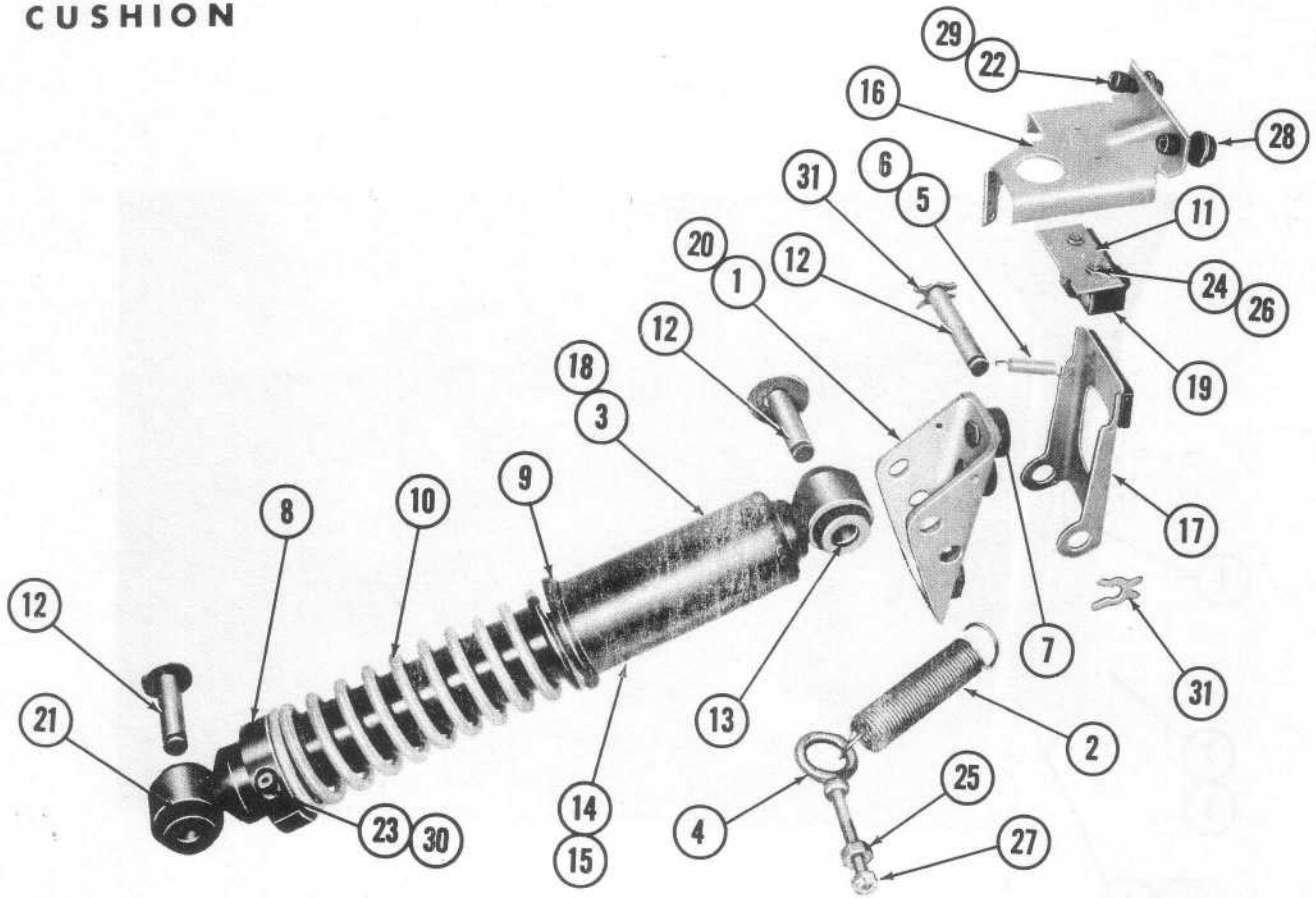


PIN CURTAIN - CUSHION - END DETAIL

| <u>ITEM</u> | <u>PART NO.</u> | <u>DESCRIPTION</u> |
|-------------|-----------------|--------------------------|
| 1 | 000 022 770 | PAD |
| 2 | 000 024 795 | PLANK, L.H. |
| 3 | 000 024 796 | PLANK, R.H. |
| 4 | 000 024 807 | CUSHION RUBBER, R.H. |
| 5 | 000 024 808 | CUSHION RUBBER, L.H. |
| 6 | 000 024 809 | CUSHION COVER, L.H. |
| 7 | 000 024 810 | CUSHION COVER, R.H. |
| 8 | 000 026 445 | PIN CURTAIN, R.H. & L.H. |
| 9 b | 000 028 519 | RUBBER RIVET |

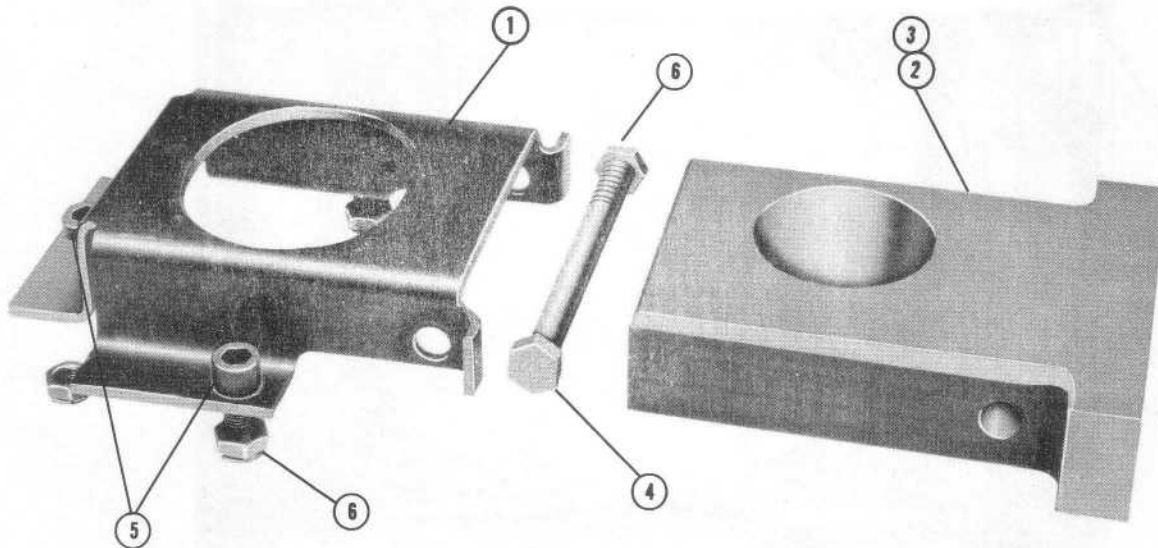
b REFER TO PRICE LIST FOR MINIMUM ORDER QUANTITY AND PRICE.

CUSHION



| ITEM | PART NUMBER | DESCRIPTION | ITEM | PART NUMBER | DESCRIPTION |
|------|---------------|-----------------------------|------|---------------|------------------------------|
| 1 | 030 002 825 | BRACKET | 16 | 000 022 828 | BRACKET |
| 2 | b 030 003 246 | SPRING | 17 | 000 023 621 | LEVER |
| 3 | 030 005 587 | GUARD (NOT SHOWN) | 18 | b 000 025 589 | HOSE CLAMP (NOT SHOWN) |
| 4 | 030 007 320 | EYE BOLT | 19 | b 000 026 043 | MICRO SWITCH |
| 5 | b 000 021 334 | SPRING | 20 | 000 029 624 | BRACKET (USE WITH BALL EXIT) |
| 6 | 000 021 431 | SPRING (USE WITH BALL EXIT) | 21 | 721 502 005 | GROMMET |
| 7 | b 000 021 992 | BUMPER | 22 | b 810 250 120 | SCREW, Soc.Hd. 1/4-28 x 3/4 |
| 8 | 000 022 286 | COLLAR | 23 | b 810 250 160 | SCREW, Soc.Hd. 1/4-28 x 1 |
| 9 | 000 022 287 | WASHER | 24 | b 812 828 162 | SCREW, Rd.Hd. 6-40 x 1 |
| 10 | 000 022 288 | SPRING | 25 | b 834 549 002 | JAM NUT 1/4-20 |
| 11 | 000 022 296 | INSULATOR | 26 | b 840 028 002 | LOCK NUT 6-40 |
| 12 | b 000 022 821 | PIN | 27 | b 840 049 002 | LOCK NUT 1/4-20 |
| 13 | b 000 022 822 | SLEEVE | 28 | 840 050 002 | LOCK NUT 1/4-28 |
| 14 | 000 022 823 | SHOCK ABSORBER | 29 | b 948 753 102 | WASHER 9/32 |
| 15 | 000 022 824 | SHOCK ABSORBER ASSY. | 30 | b 951 148 002 | LOCK WASHER 1/4" |
| | | | 31 | b 963 400 002 | X WASHER |

b REFER TO PRICE LIST FOR MINIMUM ORDER QUANTITY AND PRICE.

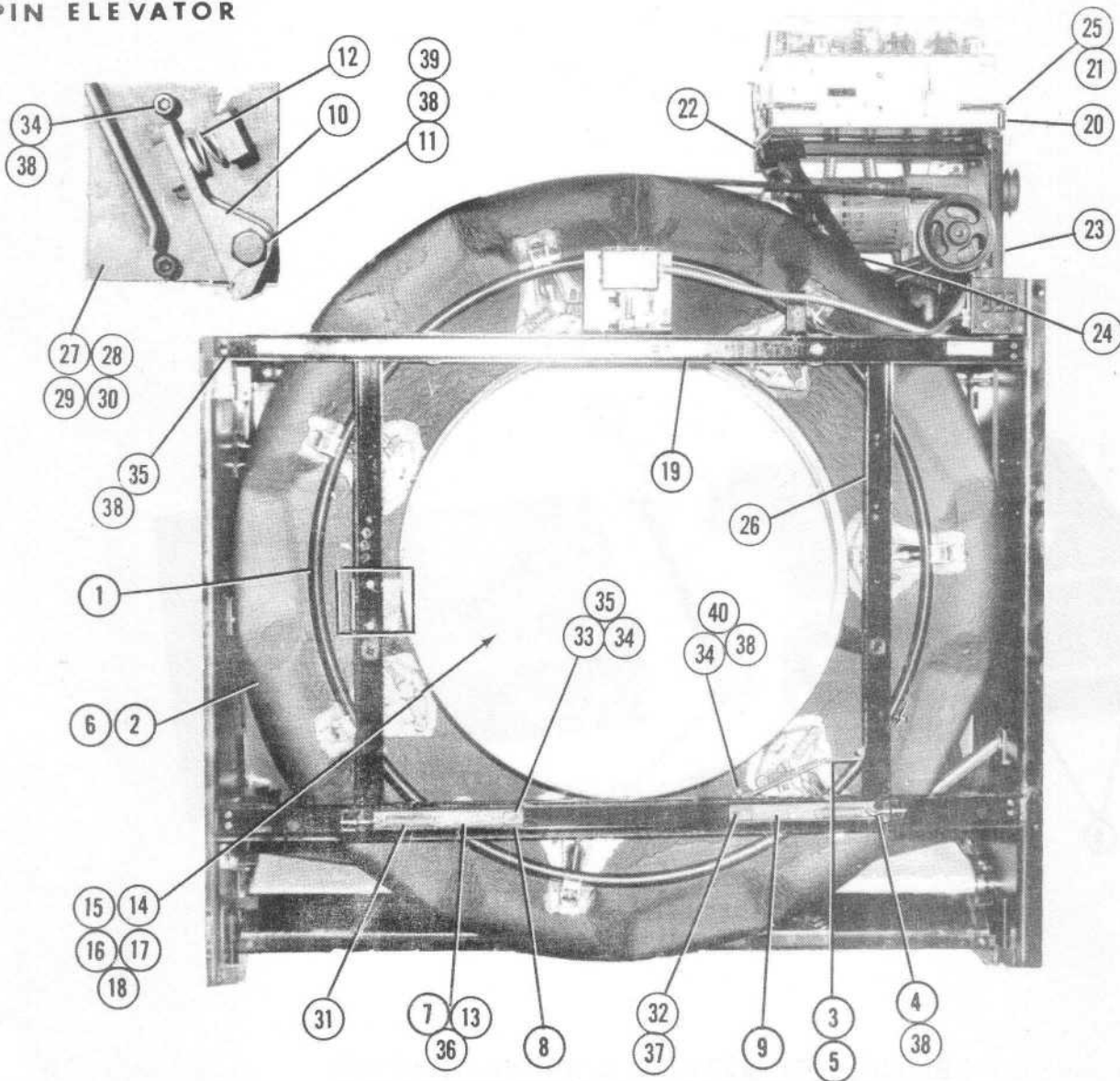


BLOCK, BOX ASSY. - CUSHION MOUNTING

| <u>ITEM</u> | <u>PART NO.</u> | <u>DESCRIPTION</u> |
|-------------|-----------------|-------------------------------------|
| 1 | 000 022 788 | Box |
| 2 | 000 022 794 | BLOCK, R.H. |
| 3 | 000 022 795 | BLOCK, L.H. |
| 4 b | 809 866 645 | SCREW, HEX HD. CAP 3/8-24 X 4 |
| 5 b | 810 266 120 | SCREW, SOC. HD. CAP 3/8-24 X 3/4 |
| 6 b | 844 066 002 | LOCKNUT 3/8-24 |

b REFER TO PRICE LIST FOR MINIMUM ORDER QUANTITY AND PRICE.

PIN ELEVATOR

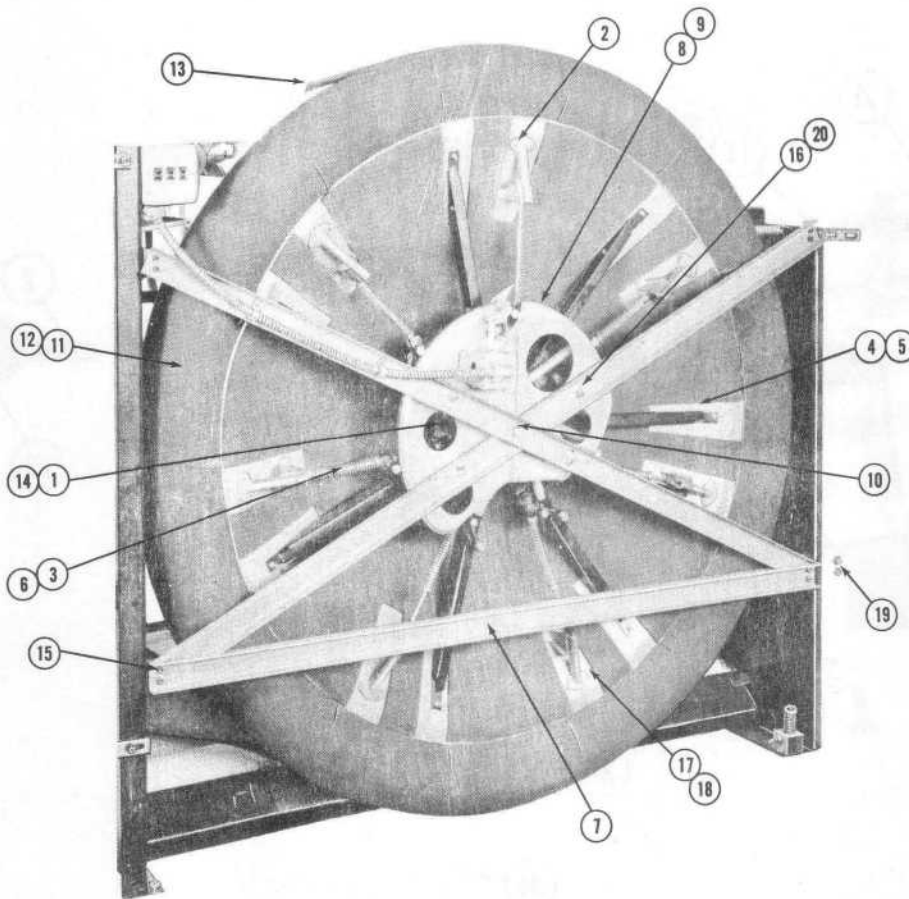


PIN ELEVATOR - CENTERLESS WHEEL ASSY.

| ITEM | PART NUMBER | DESCRIPTION | ITEM | PART NUMBER | DESCRIPTION |
|------|---------------|--|------|---------------|-----------------------------------|
| 1 | 030 006 622 | RING TUBE | 20 | 030 007 792 | SHOCK MOUNT |
| 2 | 030 006 625 | CENTERLESS WHEEL ASSY. R.H. | 21 | 030 007 822 | "J" Box Mtg. Assy. L.H. |
| 3 | 030 006 641 | CAM KICKOUT R.H. | 22 | 030 007 942 | Mtg. Bracket Weld. (Guard) |
| 4 | 030 006 645 | EYE BOLT | 23 | 030 007 975 | CHASSIS MTG. WELD. |
| 5 | 030 006 649 | CAM KICKOUT L.H. | 24 | 030 007 981 | BRACE |
| 6 | 030 006 656 | CENTERLESS WHEEL ASSY. L.H. | 25 | 030 008 086 | "J" Box Mtg. Assy. R.H. |
| 7 | 030 006 663 | BEARING | 26 | 030 008 266 | FRAME WELDMENT |
| 8 | 030 006 744 | SLIDE RETAINER | 27 | 030 008 385 | DECELERATION CAM ASSY. L.H. |
| 9 | 030 006 746 | SLIDE WELDMENT | 28 | 030 008 386 | DECELERATION CAM ASSY. R.H. |
| 10 | 030 006 760 | PIVOTED CAM PLATE ASSY. | 29 | 030 008 548 | PLATE WELD. R.H. |
| 11 | 030 006 766 | SCREW | 30 | 030 008 549 | PLATE WELD. L.H. |
| 12 | b 030 006 769 | SPRING | 31 | b 000 022 178 | SPRING |
| 13 | b 030 007 025 | WASHER | 32 | b 808 850 100 | SCREW, FL. Soc. Hd. 1/4-20 x 5/8 |
| 14 | 030 007 040 | ANGLE, CURVED, GUARD (NOT SHOWN) | 33 | b 810 258 100 | SCREW, Soc. Hd. CAP 5/16-24 x 5/8 |
| 15 | 030 007 161 | CLIP, TOP, GUARD (NOT SHOWN) | 34 | b 810 258 120 | SCREW, Soc. Hd. CAP 5/16-24 x 3/4 |
| 16 | b 030 007 162 | CLIP, BOTTOM, GUARD (NOT SHOWN) | 35 | b 810 258 140 | SCREW, Soc. Hd. CAP 5/16-24 x 7/8 |
| 17 | 030 007 163 | GUARD, CENTERLESS WHEEL L.H. (NOT SHOWN) | 36 | b 835 574 002 | LOCKNUT 1/2-20 |
| 18 | 030 007 459 | GUARD, CENTERLESS WHEEL R.H. (NOT SHOWN) | 37 | b 844 049 002 | LOCKNUT 1/4-20 |
| 19 | 030 007 462 | GUARD SUPPORT | 38 | b 844 058 002 | LOCKNUT 5/16-24 |
| | | | 39 | b 900 206 061 | BEARING |
| | | | 40 | b 948 761 112 | WASHER 11/32 x 11/16 x 1/16 |

b REFER TO PRICE LIST FOR MINIMUM ORDER QUANTITY AND PRICE.

BACKEND ASSY.

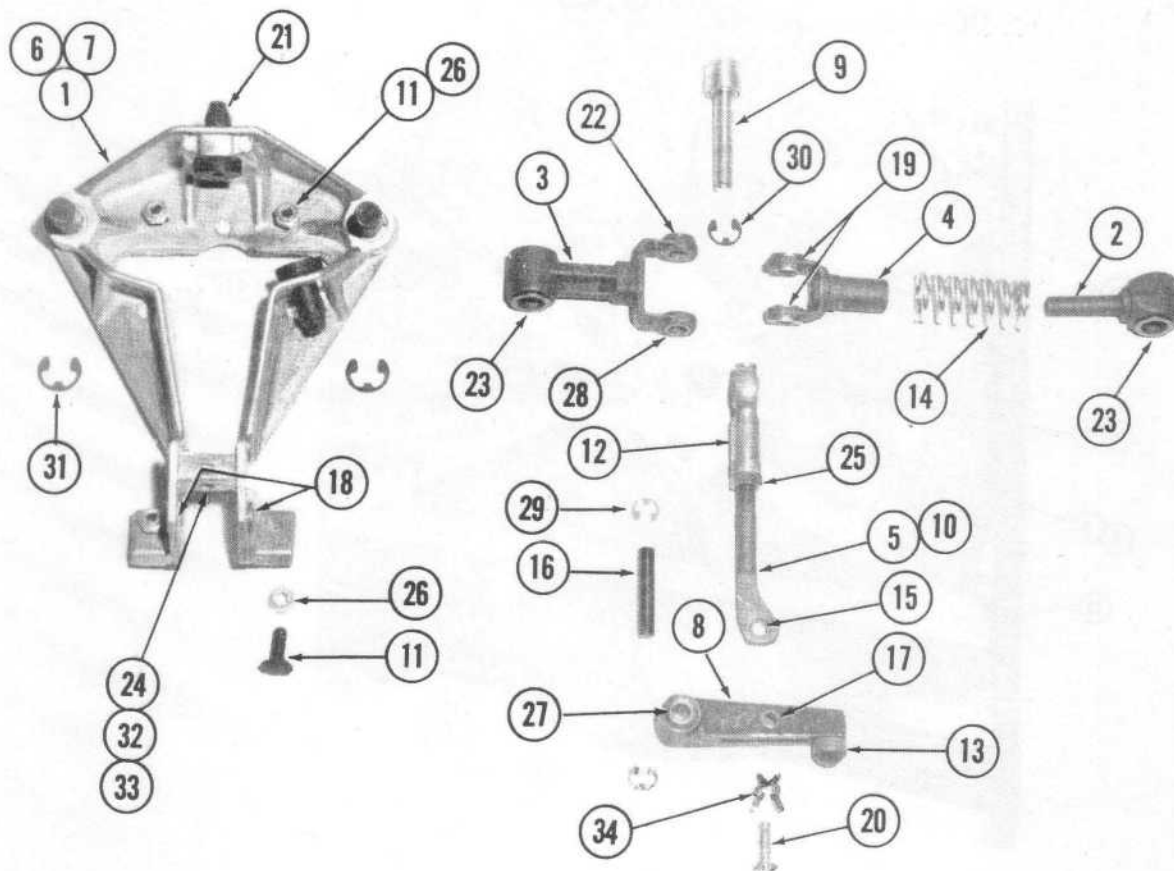


PIN ELEVATOR - SOLID WHEEL ASSY.

| <u>ITEM</u> | <u>PART NO.</u> | <u>DESCRIPTION</u> |
|-------------|-----------------|--|
| 1 | 030 001 120 | HUB ASSY. (NOT SHOWN) |
| 2 | 030 001 553 | PIN GUIDE BRACKET |
| 3 | 030 001 676 | PIN CLAMP ASSY., R.H. |
| 4 | 030 001 679 | SPOKE ASSY. R.H. |
| 5 | 030 002 013 | SPOKE ASSY. L.H. (NOT SHOWN) |
| 6 | 030 002 016 | PIN CLAMP ASSY. L.H. (NOT SHOWN) |
| 7 | 030 002 913 | X-FRAME |
| 8 | 030 002 945 | CAM, L.H. (NOT SHOWN) |
| 9 | 030 002 946 | CAM R.H. |
| 10 | 030 003 335 | PIN ELEVATOR SHAFT |
| 11 | 030 005 024 | PIN ELEVATOR WHEEL ASSY. R.H. |
| 12 | 030 005 026 | PIN ELEVATOR WHEEL ASSY. L.H. (NOT SHOWN) |
| 13 | 000 025 731 | DRIVE BELT |
| 14 b | 701 424 062 | BEARING (NOT SHOWN) |
| 15 b | 810 258 140 | SCREW, Soc. Hd. CAP 5/16-24 X 7/8 |
| 16 b | 810 266 200 | SCREW, Soc. Hd. CAP 3/8-24 X 1 1/4 |
| 17 b | 813 550 102 | SCREW, PH. TRUSS Hd. MACH. 1/4-28 X 5/8 |
| 18 b | 844 050 002 | LOCKNUT 1/4-28 |
| 19 b | 844 058 002 | LOCKNUT 5/16-24 |
| 20 b | 844 066 002 | LOCKNUT 3/8-24 |

b REFER TO PRICE LIST FOR MINIMUM ORDER QUANTITY AND PRICE.

PIN ELEVATOR



TOGGLE ASSY. - PIN ELEVATOR WHEEL

| ITEM | PART NO. | DESCRIPTION | ITEM | PART NO. | DESCRIPTION |
|------|-------------|-----------------------|------|-------------|-------------------------------------|
| 1 | 030 006 631 | HOUSING | 19 b | 030 008 166 | BEARING |
| 2 | 030 006 650 | ARM, REAR SLIDE ASSY. | 20 b | 030 008 308 | PIN |
| 3 | 030 006 651 | ARM ASSY. SOLID | 21 b | 000 028 362 | PLUG |
| 4 | 030 006 652 | ARM ASSY. SLIDE | 22 b | 701 411 086 | BEARING |
| 5 | 030 006 653 | ROD ASSY. (COMPLETE) | 23 b | 701 416 087 | BEARING |
| 6 | 030 006 654 | TOGGLE ASSY. L.H. | 24 b | 821 247 162 | SCREW, HEX HD. SELF TAP. 1/4 X 1 |
| 7 | 030 006 655 | TOGGLE ASSY. R.H. | 25 b | 835 566 002 | HEX NUT 3/8-24 |
| 8 | 030 006 659 | FINGER ASSY. | 26 b | 844 050 002 | NUT SELF LOCKING 1/4-28 |
| 9 b | 030 006 662 | CAM FOLLOWER | 27 b | 900 105 161 | BEARING |
| 10 | 030 006 869 | ROD & BEARING | 28 b | 900 106 041 | BEARING |
| 11 | 030 007 014 | BOLT | 29 b | 919 010 200 | RETAINER RING |
| 12 | 030 007 019 | END FITTING | 30 b | 919 010 400 | RETAINER RING |
| 13 b | 030 007 152 | TIP ASSY. | 31 b | 919 010 600 | RETAINER RING |
| 14 | 030 007 630 | SPRING | 32 b | 948 753 102 | PLAIN WASHER 9/32X5/8X1/16 |
| 15 b | 030 007 670 | BEARING | 33 b | 959 900 002 | WASHER, SHAKEPROOF 1214-00 |
| 16 b | 030 007 844 | PIVOT PIN | 34 b | 963 200 002 | X WASHER |
| 17 b | 030 007 850 | BEARING | | | |
| 18 b | 030 007 879 | BEARING | | | |

b REFER TO PRICE LIST FOR MINIMUM ORDER QUANTITY AND PRICE.

BACKEND ASSY.

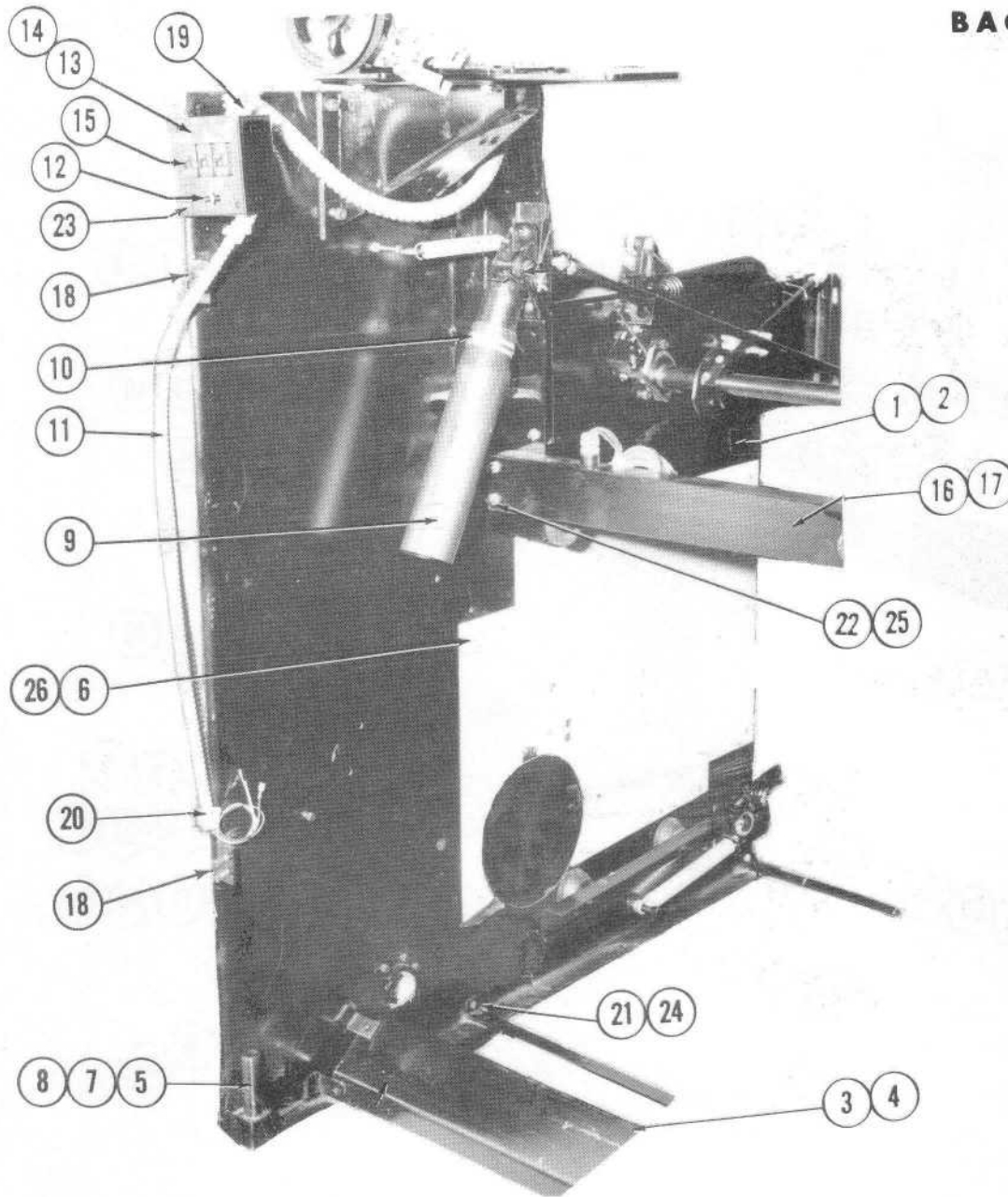


PLATE ASSY., R.H., BALL RETURN SIDE R.H. MACHINE

| ITEM | PART NO. | DESCRIPTION | ITEM | PART NO. | DESCRIPTION |
|------|-------------|---|------|---------------|------------------------------------|
| 1 | 030 001 961 | PLATE WELDMENT ASSY., R.H., R.H. MACH. | 14 | 030 006 036 | OUTLET BOX |
| 2 | 030 001 962 | PLATE WELDMENT ASSY., L.H., L.H. MACH. | 15 | 030 006 037 | TOGGLE SWITCH |
| 3 | 030 003 117 | APRON ASSY. R.H. | 16 | 030 006 840 | BOX BEAM ASSY. R.H. MACH. |
| 4 | 030 003 118 | APRON ASSY. L.H. | 17 | 030 006 841 | BOX BEAM ASSY. L.H. MACH. |
| 5 | 030 004 890 | JACK SCREW | 18 | 030 008 657 | CLIP (TOP) |
| 6 | 030 005 126 | PANEL, FIBREGLAS, BALL DOOR SIDE | 19 | b 746 003 008 | CONNECTOR 90° |
| 7 | 030 005 207 | JACK SCREW LOCKING INSERT (LONG) (NOT SHOWN) | 20 | 764 002 006 | CONNECTOR, STRAIGHT |
| 8 | 030 005 208 | JACK SCREW LOCKING INSERT (SHORT) (NOT SHOWN) | 21 | b 810 258 120 | SCREW, SOC. HD. CAP 5/16-24 X 3/4 |
| 9 | 030 005 587 | GUARD, SHOCK ABSORBER | 22 | b 810 266 440 | SCREW, SOC. HD. CAP 3/8-24 X 2 3/4 |
| 10 | 030 005 589 | CLAMP ASSY. | 23 | b 812 833 042 | SCREW, RD. HD. MACH. 8-32 X 1/4 |
| 11 | 030 005 653 | FLEX CONDUIT | 24 | b 844 058 002 | LOCKNUT 5/16-24 |
| 12 | 030 005 865 | SWITCH | 25 | b 844 066 002 | LOCKNUT 3/8-24 |
| 13 | 030 006 034 | COVER | 26 | 937 100 000 | RIVET |

b REFER TO PRICE LIST FOR MINIMUM ORDER QUANTITY AND PRICE.

BACKEND ASSY.

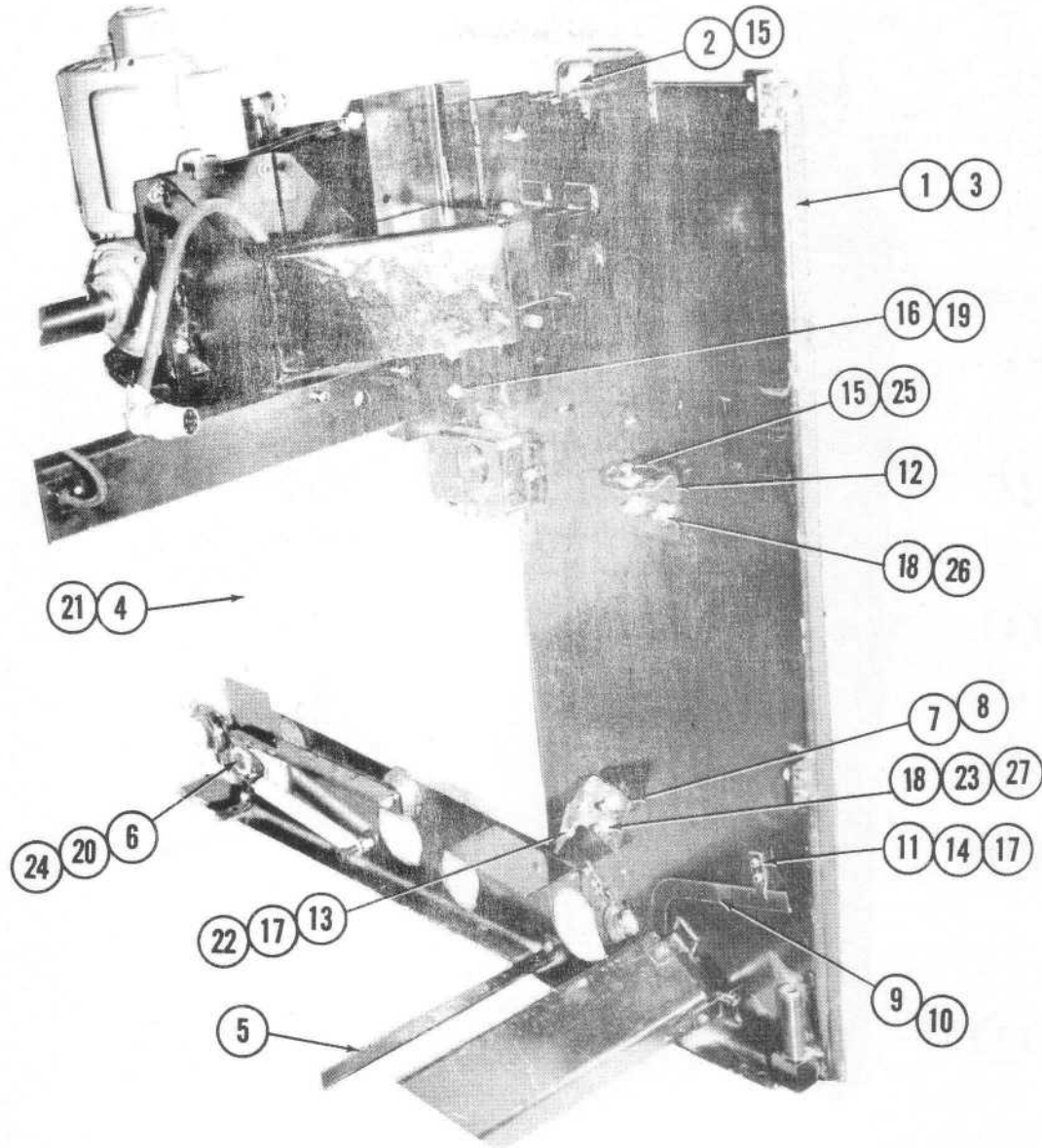
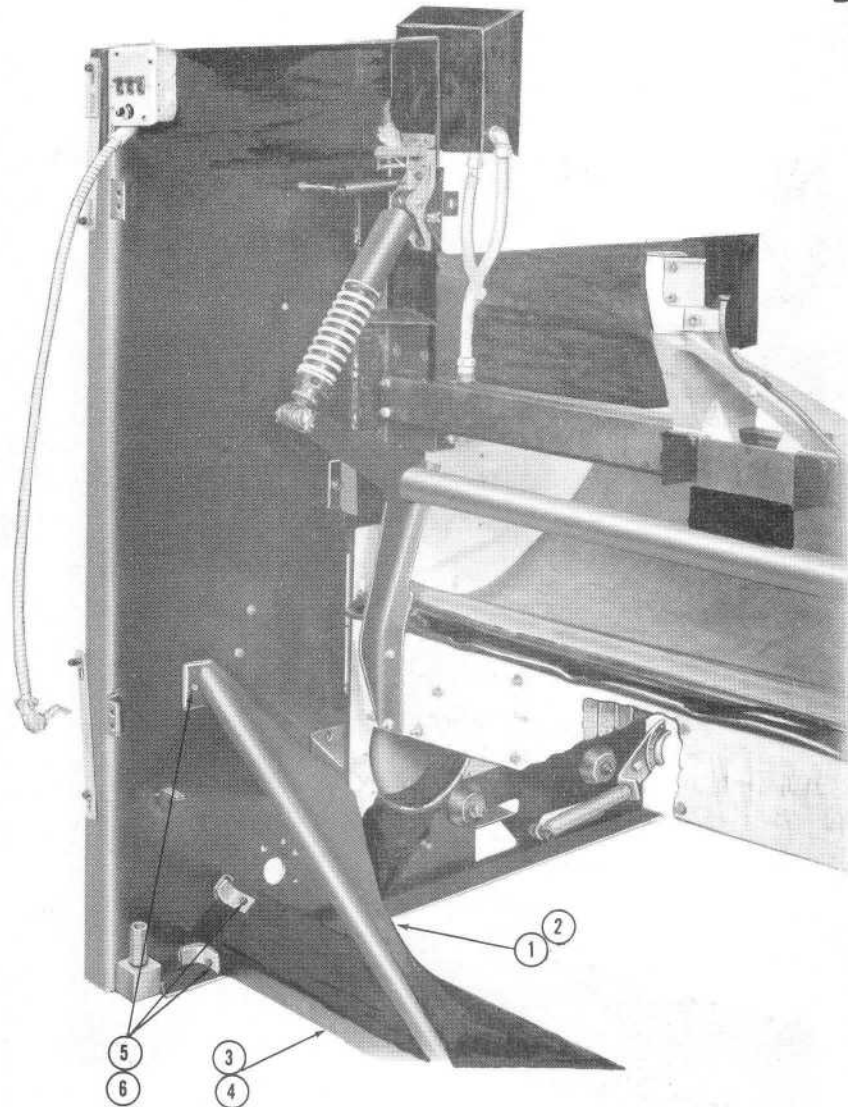


PLATE ASSY. L. H. SIDE, R. H. MACHINE SHOWN

| <u>ITEM</u> | <u>PART NO.</u> | <u>DESCRIPTION</u> | <u>ITEM</u> | <u>PART NO.</u> | <u>DESCRIPTION</u> |
|-------------|-----------------|---|-------------|-----------------|---------------------------------------|
| 1 | 030 001 960 | SIDE PLATE ASSY. R.H. | 16 | b 810 266 440 | SCREW, SOG. HD. CAP 3/8-24 X 2 1/2 |
| 2 | 030 002 190 | BOLT | 17 | b 839 750 002 | LOCKNUT 1/4-28 |
| 3 | 030 002 256 | SIDE PLATE ASSY. L.H. | 18 | b 844 065 002 | LOCKNUT 3/8-16 |
| 4 | 030 006 495 | PANEL | 19 | b 844 066 002 | LOCKNUT 3/8-24 |
| 5 | 030 006 831 | TIE STRAP | 20 | b 911 152 282 | COTTER PIN 3/32 X 1 3/4 |
| 6 | b 030 006 874 | THRUST BEARING | 21 | 937 100 000 | DRIVE RIVET |
| 7 | 000 023 431 | CLIP, BOTTOM, R.H. | 22 | b 948 753 102 | WASHER, PLAIN 9/32 X 5/8 X 1/16 |
| 8 | 000 023 432 | CLIP, BOTTOM, L.H. | 23 | 948 767 132 | WASHER, PLAIN 13/32 X 13/16 X 1/16 |
| 9 | 000 023 464 | REAR ROLLER SUPPORT R.H. | 24 | b 949 088 282 | WASHER, PLAIN 13/16 X 1 3/4 X 1/8 |
| 10 | 000 023 465 | REAR ROLLER SUPPORT L.H. | 25 | b 949 100 002 | WASHER, PLAIN 15/32 X 59/64 X 1/16 |
| 11 | 000 023 468 | BRACKET, L.H. & R.H. | 26 | b 951 112 002 | LOCK WASHER # 2 |
| 12 | 000 023 821 | CLIP, TOP | 27 | b 951 164 002 | LOCK WASHER 3/8 |
| 13 | b 808 850 100 | SCREW, FL. SOG. HD. CAP 1/4-28 X 5/8 | | | |
| 14 | b 810 250 100 | SCREW, SOG. HD. CAP 1/4-28 X 5/8 | | | |
| 15 | b 810 266 160 | SCREW, SOG. HD. CAP 3/8-24 X 1 | | | |

b REFER TO PRICE LIST FOR MINIMUM ORDER QUANTITY AND PRICE.

BACKEND ASSY.

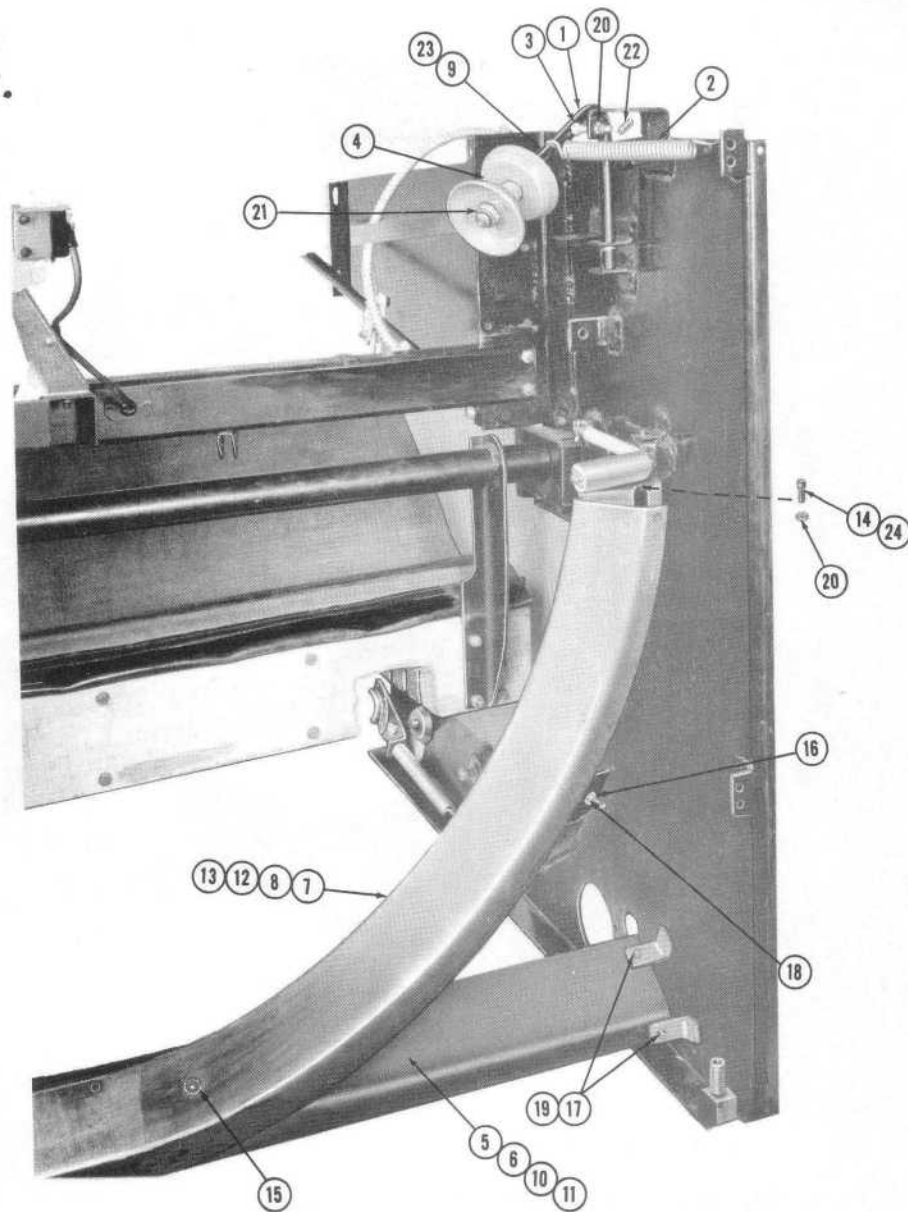


FRAMES & DRIVES - R. H. REAR

| <u>ITEM</u> | <u>PART NUMBER</u> | <u>DESCRIPTION</u> |
|-------------|--------------------|---|
| 1 | 030 008 522 | PLOW & MAT ASSY. (SMALL) R.H. MACH. (EFFECTIVE TO S/N 41897) |
| | 030 008 397 | PLOW & MAT ASSY. (SMALL) R.H. MACH. (EFFECTIVE S/N 41898 AND UP) |
| 2 | 030 008 523 | PLOW & MAT ASSY. (SMALL) L.H. MACH. (EFFECTIVE TO S/N 41897) (NOT SHOWN) |
| | 030 008 398 | PLOW & MAT ASSY. (SMALL) L.H. MACH. (EFFECTIVE S/N 41898 AND UP) (NOT SHOWN) |
| 3 | 000 027 099 | APRON & MAT ASSY. R.H. |
| 4 | 000 027 100 | APRON & MAT ASSY. L.H. |
| 5 | 808 858 120 | SCREW, FL. SOC. HD. CAP 5/16-24 x 3/4 |
| 6 | 844 058 002 | LOCKNUT 5/16-24 |

REFER TO PRICE LIST FOR MINIMUM ORDER QUANTITY AND PRICE.

BACKEND ASSY.

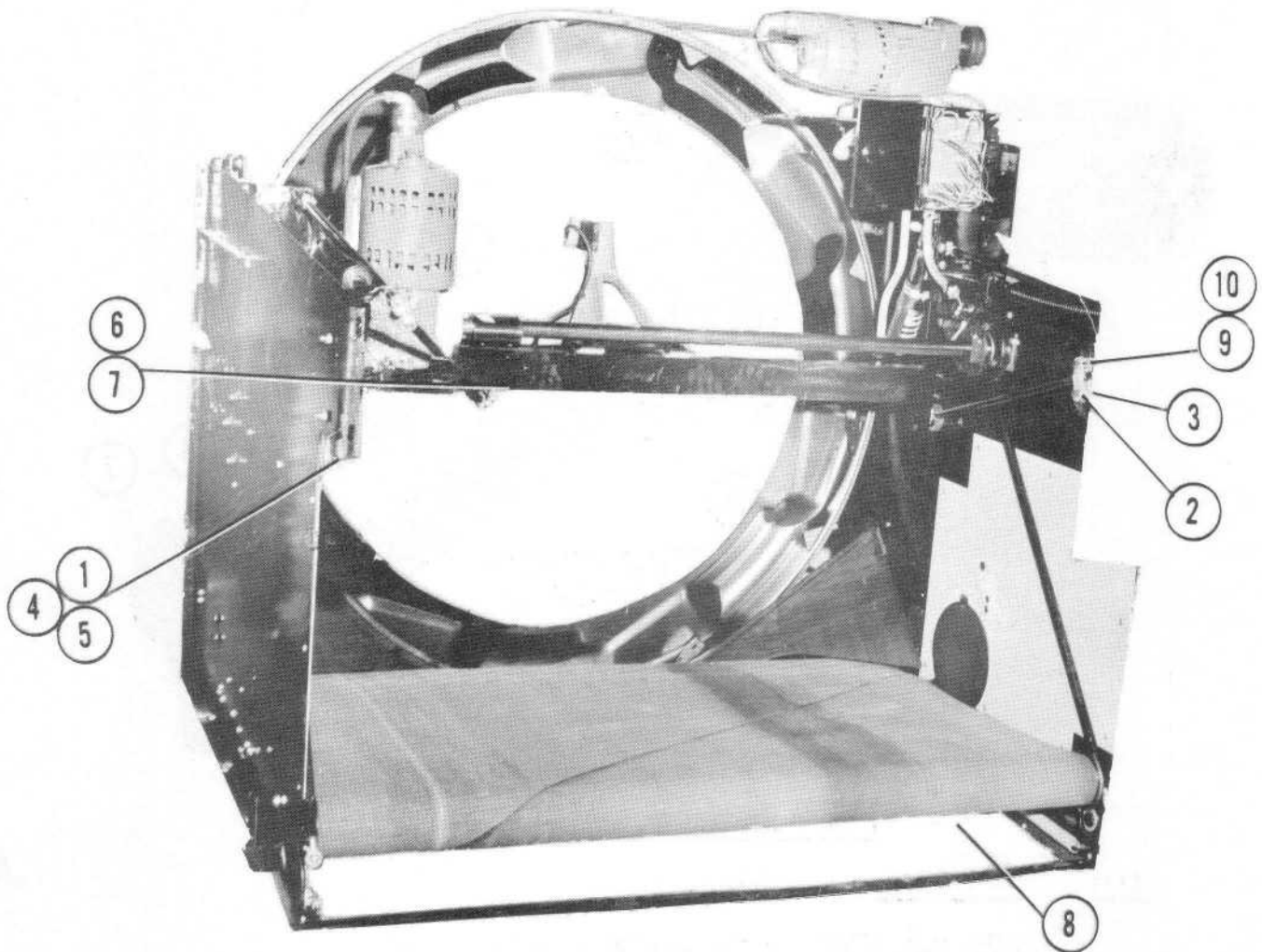


FRAME, L. H. REAR

| ITEM | PART NUMBER | DESCRIPTION | ITEM | PART NUMBER | DESCRIPTION |
|------|-------------|--|------|-------------|--|
| 1 | 030 001 771 | SHAFT | 12 | 000 027 368 | PLOW & MAT ASSY. R.H. LARGE FOR L.H. MACH. (EFF. S/N 43201 AND UP) |
| 2 | 030 001 832 | SPRING | 13 | 000 027 372 | PLOW & MAT ASSY. L.H. LARGE FOR R.H. MACH. (EFF. S/N 43201 AND UP) |
| 3 | 030 002 190 | ADJUSTING BOLT | 14 b | 808 566 160 | SCREW, SOC.BUT.HD. 3/8-24 x 1 |
| 4 | 030 002 578 | ROLLER WELDMENT | 15 b | 808 858 240 | SCREW, FL.HD.SOC. 5/16-24 x 1 1/2 |
| 5 | 030 003 117 | APRON ASSEMBLY R.H. (EFFECTIVE TO S/N 41897) | 16 b | 810 250 100 | SCREW, SOC.HD.CAP 1/4-28 x 5/8 |
| 6 | 030 003 118 | APRON ASSEMBLY L.H. (EFFECTIVE TO S/N 41897) | 17 b | 810 258 120 | SCREW, SOC.HD.CAP 5/16-24 x 3/4 |
| 7 | 030 003 123 | PLOW R.H. LARGE FOR L.H. MACH. (EFF. TO S/N 43200) | 18 b | 844 050 002 | LOCKNUT 1/4-28 |
| 8 | 030 003 124 | PLOW L.H. LARGE FOR R.H. MACH. (EFF. TO S/N 43200) | 19 b | 844 058 002 | LOCKNUT 5/16-24 |
| 9 | 030 008 012 | SPRING COMPRESSION | 20 b | 844 066 002 | LOCKNUT 3/8-24 |
| 10 | 000 027 099 | APRON & MAT ASSY. R.H. (EFF. S/N 41898 AND UP) | 21 b | 844 087 002 | LOCKNUT 3/4-16 |
| 11 | 000 027 100 | APRON & MAT ASSY. L.H. (EFF. S/N 41898 AND UP) | 22 b | 913 423 160 | ROLL PIN 1/8 x 1" |
| | | | 23 b | 946 188 322 | WASHER, PLAIN 13/16 x 2 x 5/16 |
| | | | 24 b | 948 767 132 | WASHER, PLAIN 13/32 x 13/16 x 1/16 (NOT SHOWN) |

b REFER TO PRICE LIST FOR MINIMUM ORDER QUANTITY AND PRICE.

BACKEND ASSY.

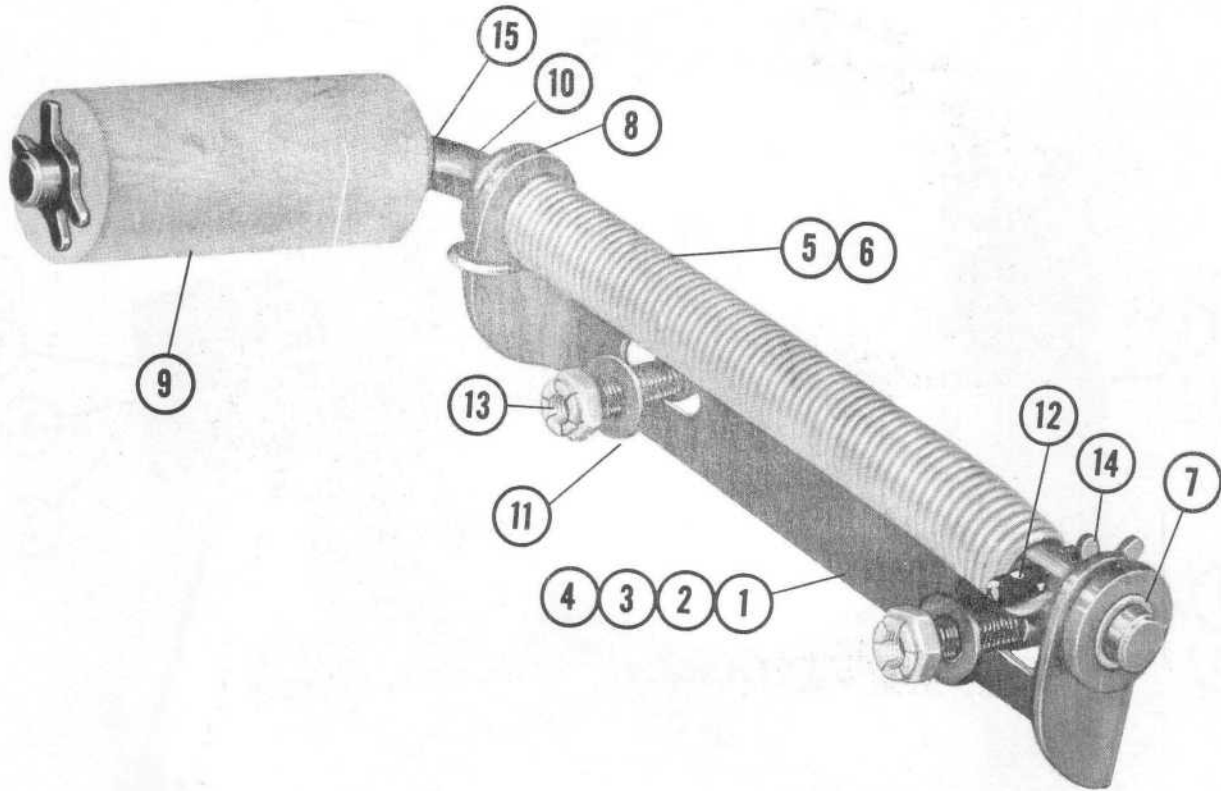


FRAMES, DRIVES - PIT COMPONENTS

| <u>ITEM</u> | <u>PART NO.</u> | <u>DESCRIPTION</u> |
|-------------|-----------------|---------------------------------------|
| 1 | 030 002 567 | SHIM, 1/16" |
| 2 b | 030 003 053 | CLAMP |
| 3 b | 030 003 054 | SPACER |
| 4 | 030 004 903 | SHIM 1/8" |
| 5 | 030 004 904 | SHIM 1/4" |
| 6 | 030 006 840 | TUBE WELDMENT R.H. |
| 7 | 030 006 841 | TUBE WELDMENT L.H. |
| 8 | 000 026 753 | CARPET BELT |
| 9 b | 810 266 200 | SCREW, SOC. HD. CAP 3/8-24 X 1 1/4 |
| 10 b | 844 066 002 | LOCKNUT 3/8-24 |

b REFER TO PRICE LIST FOR MINIMUM ORDER QUANTITY AND PRICE.

PIN EJECTOR

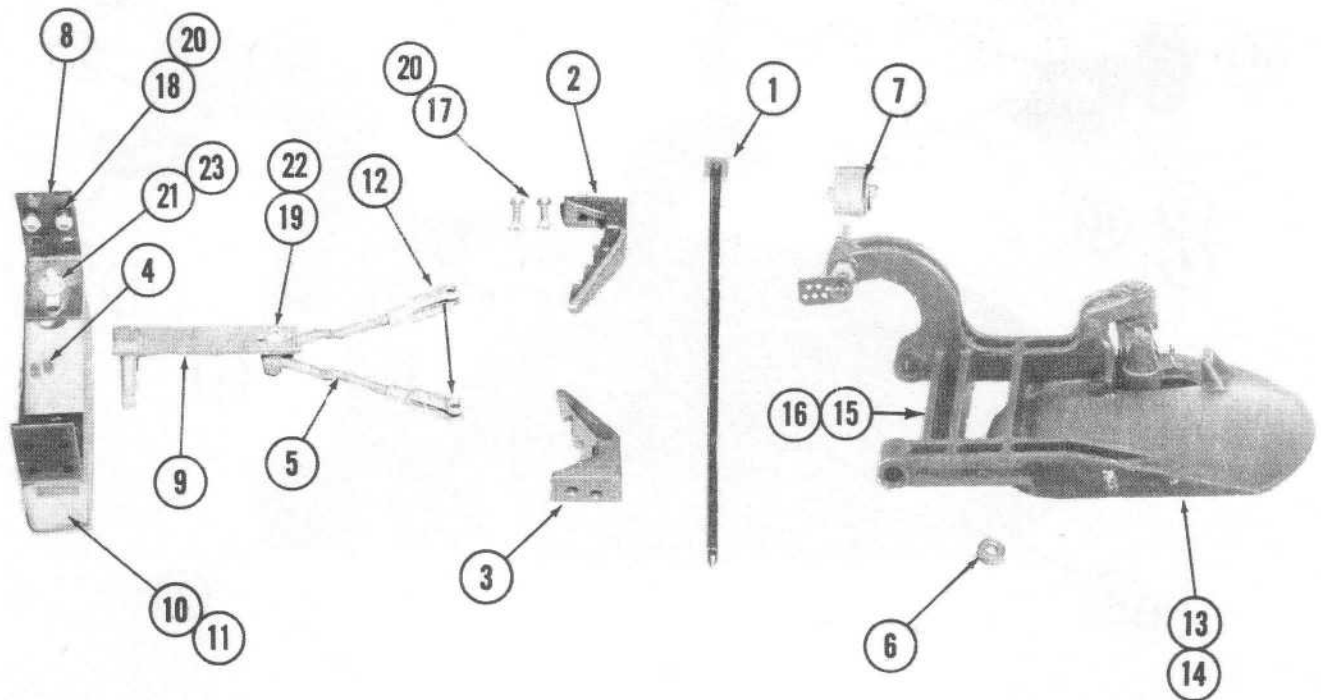


PIN EJECTOR ASSY.

| <u>ITEM</u> | <u>PART NO.</u> | <u>DESCRIPTION</u> |
|-------------|-----------------|---------------------------------|
| 1 | 000 024 507 | PIN EJECTOR ASSY., L.H. |
| 2 | 000 024 508 | PIN EJECTOR ASSY., R.H. |
| 3 | 000 024 510 | BRACKET, L.H. |
| 4 | 000 024 511 | BRACKET, R.H. |
| 5 | 000 024 512 | SPRING, L.H. |
| 5A | 030 004 499 | SPRING, L.H. (EFF. S.N. 1-3117) |
| 6 | 000 024 513 | SPRING, R.H. |
| 6A | 030 004 501 | SPRING, R.H. (EFF. S.N. 1-3117) |
| 7 | 000 024 515 | BUSHING, LONG |
| 8 | b 000 024 516 | BUSHING, SHORT |
| 9 | b 000 025 803 | ROLLER |
| 10 | 000 025 804 | SHAFT |
| 10A | 030 003 302 | SHAFT (EFF. S.N. 1-3117) |
| 11 | b 000 028 334 | WASHER |
| 12 | b 000 029 317 | PIN STOP |
| 13 | b 844 058 002 | LOCKNUT 5/16-24 |
| 14 | b 919 010 400 | RETAINER RING |
| 15 | b 963 600 002 | X WASHER |

b REFER TO PRICE LIST FOR MINIMUM ORDER QUANTITY AND PRICE.

BALL DOOR

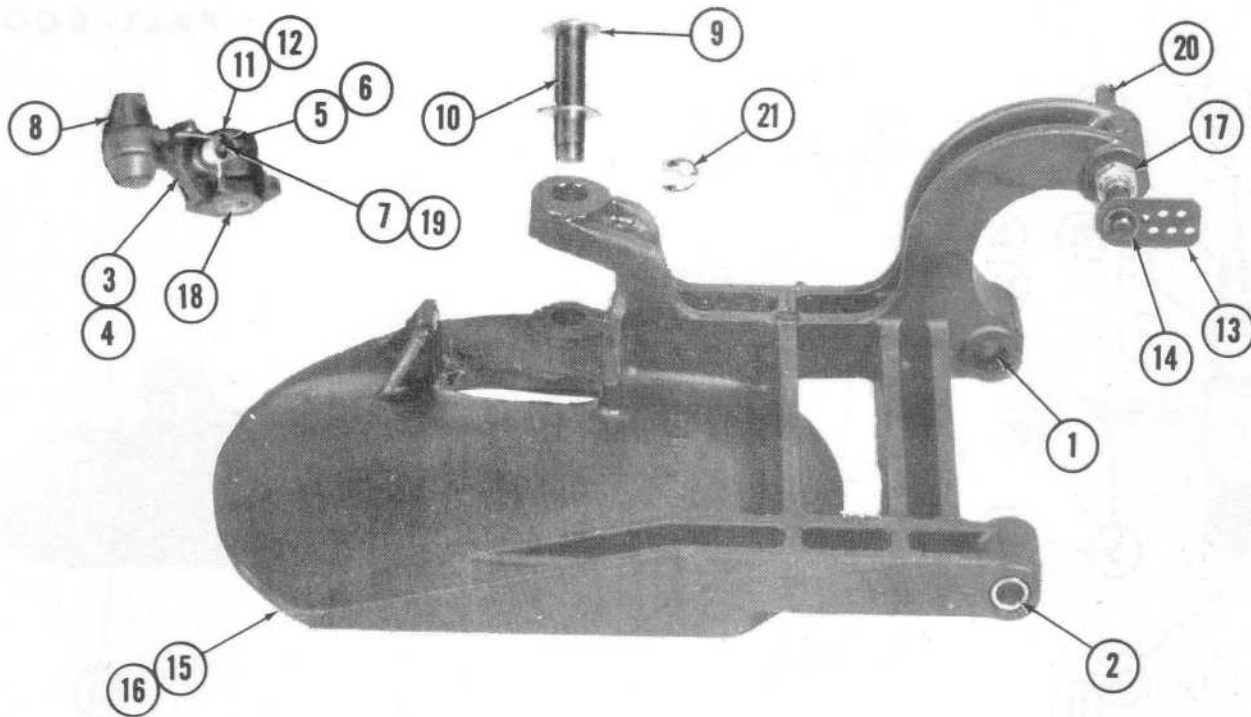


BALL DOOR & ADJUSTING ROD ASSY.

| <u>ITEM</u> | <u>PART NO.</u> | <u>DESCRIPTION</u> |
|-------------|-----------------|---------------------------------------|
| 1 | 030 006 046 | SHAFT |
| 2 | 030 007 095 | STOP, L.H. |
| 3 | 030 007 096 | STOP, R.H. |
| 4 | 030 007 253 | BEARING, SLEEVE |
| 5 | 030 007 254 | CENTER BAR |
| 6 b | 030 007 259 | THRUST BEARING |
| 7 b | 030 007 268 | SPRING |
| 8 | 030 007 269 | BRACKET |
| 9 | 030 007 272 | LINK ARM WELDMENT |
| 10 | 030 007 273 | TOGGLE SPACER (9 1/2" TO 11 3/4") |
| 11 | 030 007 278 | TOGGLE SPACER (11 3/4" TO 14") |
| 12 | 030 008 265 | ADJUSTING YOKE |
| 13 | 030 008 295 | BALL DOOR ASSY., R.H. |
| 14 | 030 008 296 | BALL DOOR ASSY., L.H. |
| 15 | 030 008 510 | BALL DOOR SUB ASSY., R.H. |
| 16 | 030 008 511 | BALL DOOR SUB ASSY., L.H. |
| 17 b | 808 858 120 | SCREW, FL. SOC. HD. CAP 5/16-24 X 3/4 |
| 18 b | 810 258 120 | SCREW, SOC. HD. CAP 5/16-24 X 3/4 |
| 19 b | 844 057 002 | NUT SELF LOCKING 5/16-18 |
| 20 b | 844 058 002 | NUT SELF LOCKING 5/16-24 |
| 21 b | 844 066 002 | NUT SELF LOCKING 3/8-24 |
| 22 b | 880 457 240 | SHOULDER SCREW 5/16-18 X 3/8 |
| 23 | 948 767 132 | WASHER, PLAIN 13/32 X 13/16 X 1/16 |

b REFER TO PRICE LIST FOR MINIMUM ORDER QUANTITY AND PRICE.

BALL DOOR



BALL DOOR & LATCH ASSY.

| <u>ITEM</u> | <u>PART NO.</u> | <u>DESCRIPTION</u> |
|-------------|-----------------|--------------------------|
| 1 b | 030 005 375 | BEARING, SLEEVE |
| 2 b | 030 005 376 | BEARING, FLANGE |
| 3 | 030 007 247 | BUMPER ARM, R.H. |
| 4 | 030 007 248 | BUMPER ARM, L.H. |
| 5 b | 030 007 249 | SPRING, R.H. |
| 6 b | 030 007 250 | SPRING, L.H. |
| 7 b | 030 007 251 | PIN |
| 8 b | 030 007 252 | BUMPER |
| 9 | 030 007 264 | WASHER SPACER |
| 10 b | 030 007 265 | LATCH PIN |
| 11 | 030 007 350 | LATCH ASSY. L.H. |
| 12 | 030 007 351 | LATCH ASSY. R.H. |
| 13 b | 030 008 275 | BRACKET |
| 14 | 030 008 276 | PIN, LINK |
| 15 | 030 008 510 | BALL DOOR SUB ASSY. R.H. |
| 16 | 030 008 511 | BALL DOOR SUB ASSY. L.H. |
| 17 b | 844 066 002 | NUT SELF LOCKING 3/8-24 |
| 18 b | 900 108 201 | BEARING, SLEEVE |
| 19 b | 919 010 200 | RETAINER RING |
| 20 b | 919 010 300 | RETAINER RING |
| 21 b | 919 010 600 | RETAINER RING |

b REFER TO PRICE LIST FOR MINIMUM ORDER QUANTITY AND PRICE.

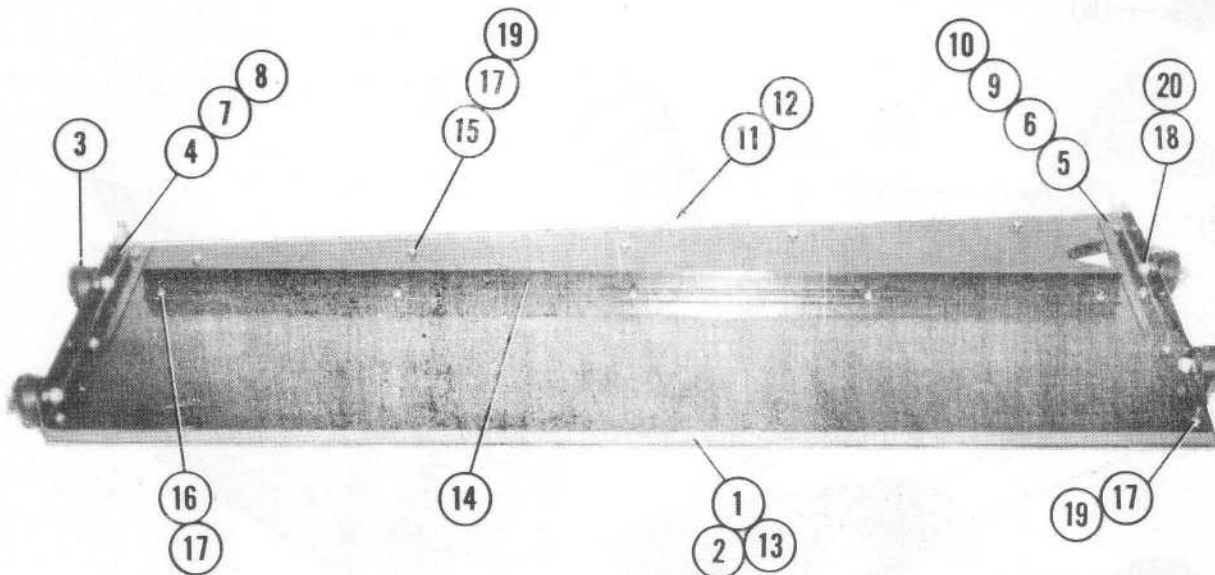
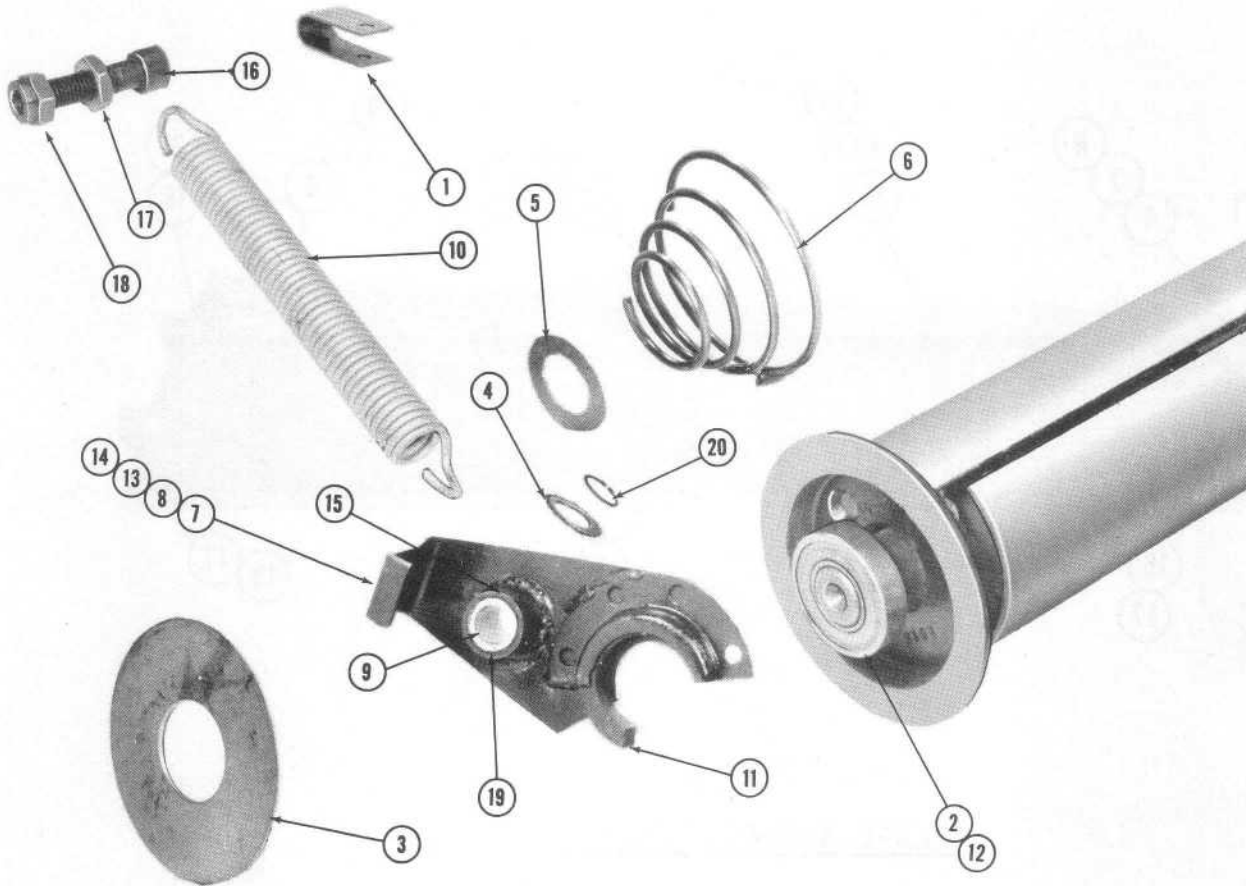


PLATE SUPPORT ASSY.

| <u>ITEM</u> | <u>PART NO.</u> | <u>DESCRIPTION</u> |
|-------------|-----------------|---|
| 1 | 030 002 928 | PLATE R.H. (USED WITH CENTER ROLLER) (NOT SHOWN) |
| 2 | 030 002 953 | PLATE L.H. (USED WITH CENTER ROLLER) (NOT SHOWN) |
| 3 | 030 003 473 | SHOCK MOUNT |
| 4 | 030 003 736 | ANGLE SHORT (USED WITH CENTER ROLLER) (NOT SHOWN) |
| 5 | 030 005 204 | ANGLE L.H. LONG (USED WITH CENTER ROLLER) (NOT SHOWN) |
| 6 | 030 005 205 | ANGLE R.H. LONG (USED WITH CENTER ROLLER) (NOT SHOWN) |
| 7 | 030 005 564 | ANGLE MOUNTING BRKT. L.H., SHORT |
| 8 | 030 005 565 | ANGLE MOUNTING BRKT. R.H., SHORT |
| 9 | 030 005 566 | PLATE, ANGLE SUPPORT R.H., LONG |
| 10 | 030 005 567 | PLATE, ANGLE SUPPORT L.H., LONG |
| 11 | 030 005 568 | STRIP PLATE L.H. (NOT SHOWN) |
| 12 | 030 005 569 | STRIP PLATE R.H. (NOT SHOWN) |
| 13 | 030 005 570 | PLATE L.H. & R.H. |
| 14 | 030 007 903 | T-BAR |
| 15 b | 808 850 280 | SCREW, FL. Soc. Hd. 1/4-28 X 1 3/4 |
| 16 b | 808 858 120 | SCREW, FL. Soc. Hd. 5/16-24 X 3/4 |
| 17 b | 844 050 002 | NUT SELF LOCKING 1/4-28 |
| 18 b | 844 074 002 | NUT SELF LOCKING 1/2-20 |
| 19 b | 948 753 102 | WASHER, PLAIN 9/32 X 5/8 X 1/16 |
| 20 b | 951 172 002 | LOCK WASHER 1/2 |

b REFER TO PRICE LIST FOR MINIMUM ORDER QUANTITY AND PRICE.

CARPET ROLLER

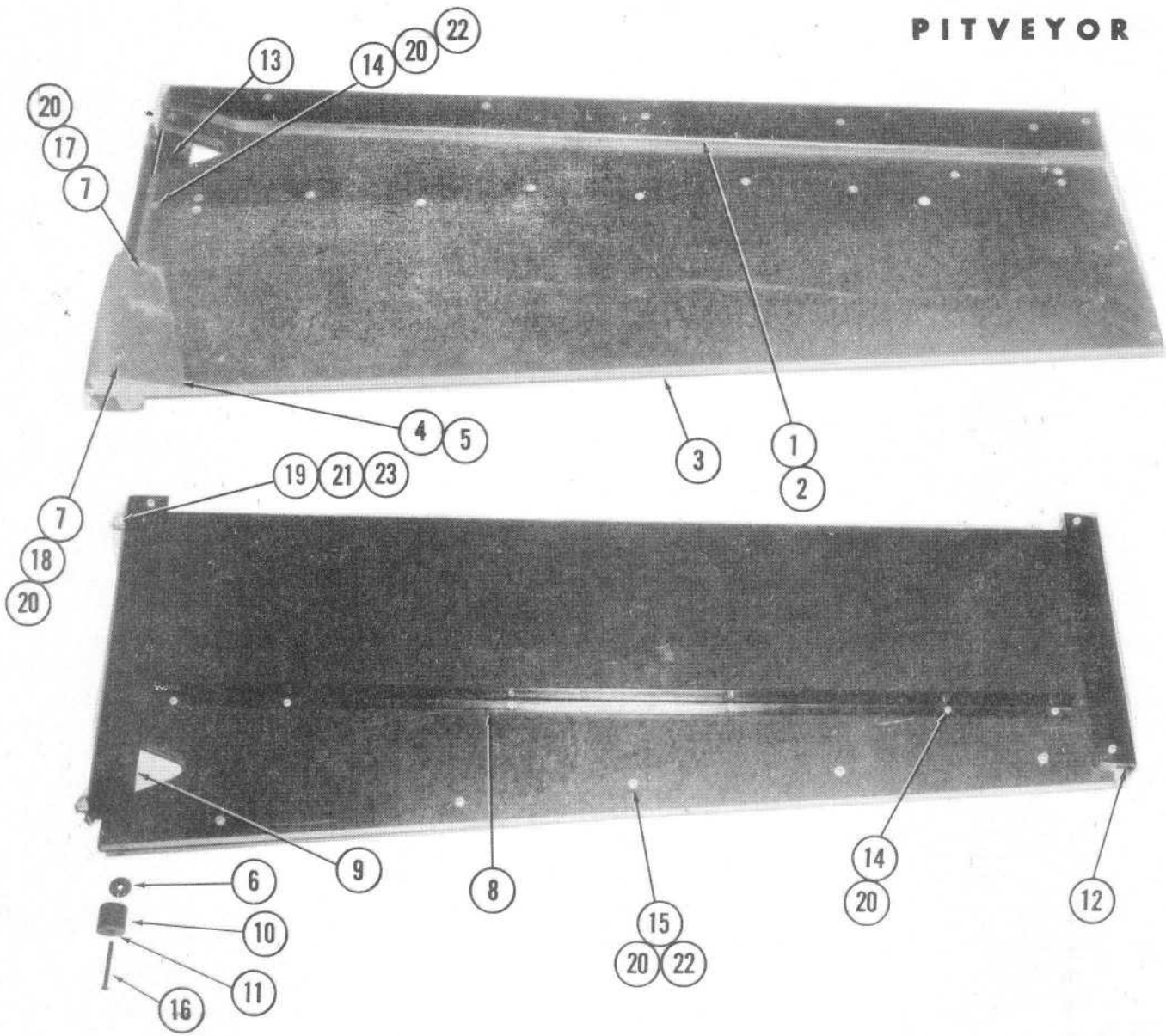


BEARING SUPPORT - FRONT ROLLER

| ITEM | PART NUMBER | DESCRIPTION |
|------|-------------|---|
| 1 | 030 004 610 | CLIP, SPRING (FIELD USE ONLY) |
| 2 | 030 005 008 | BEARING (EFF. TO S.N. 7617) |
| 3 | 030 006 871 | THRUST BEARING, 1 1/4" I.D. |
| 3A | 030 007 641 | THRUST BEARING, 3/4" I.D. |
| 4 | 030 007 642 | WASHER (FIELD USE ONLY) |
| 5 | 030 007 858 | WASHER (FIELD USE ONLY) |
| 6 | 030 007 859 | SPRING (FIELD USE ONLY) |
| 7 | 030 008 640 | BEARING SUPPORT R.H.(EFF. TO S.N. 58800) |
| 8 | 030 008 641 | BEARING SUPPORT L.H.(EFF. TO S.N. 58800) |
| 9 | 030 008 646 | STUD, REPLACEMENT (NOT SHOWN) (EFF. TO 58800) |
| 9A | 000 029 015 | STUD, REPLACEMENT (NOT SHOWN) (EFF. AT 58801) |
| 10 | 000 021 204 | SPRING |
| 11 | 000 022 924 | SUPPORT |
| 12 | 000 024 590 | BEARING (EFF. S.N. 7618) |
| 13 | 000 027 645 | BEARING SUPPORT LEFT SIDE (EFF. S.N. 58801) |
| 14 | 000 027 646 | BEARING SUPPORT RIGHT SIDE (EFF. S.N. 58801) |
| 15 | 710 501 009 | GREASE FITTING |
| 16 | 810 273 320 | SCREW, Soc. Hd. 1/2-13 x 2 |
| 17 | 835 573 002 | JAM NUT 1/2-13 |
| 18 | 840 073 002 | LOCK NUT 1/2-13 |
| 19 | 900 112 203 | SLEEVE BEARING |
| 20 | 919 005 800 | RETAINER RING |

b. REFER TO PRICE LIST FOR MINIMUM ORDER QUANTITY AND PRICE.

PITVEYOR

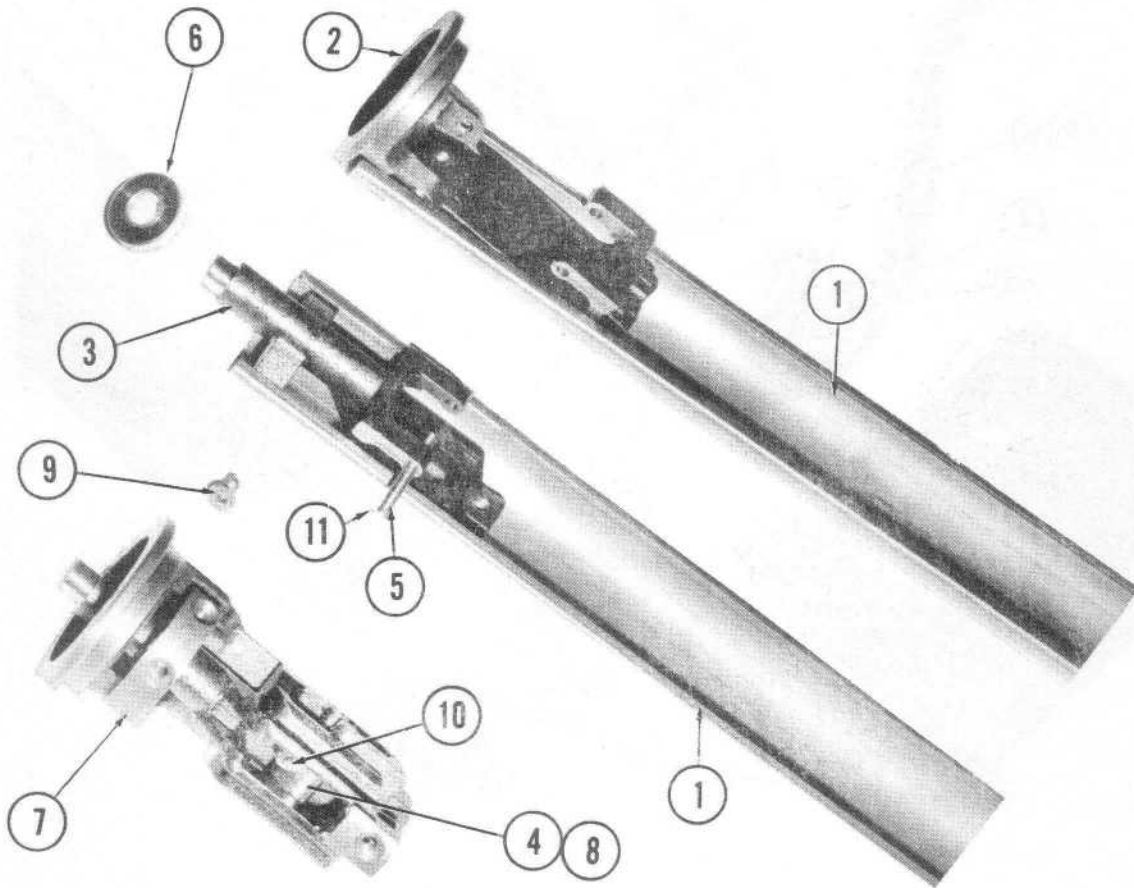


| ITEM | PART NUMBER | DESCRIPTION | ITEM | PART NUMBER | DESCRIPTION |
|------|--------------|----------------------------------|------|--------------|----------------------------------|
| 1 | 030 005 568 | STRIP PLATE L.H. | 12 | *030 008 340 | ANGLE BRACKET, SHORT |
| 2 | 030 005 569 | STRIP PLATE R.H. (NOT SHOWN) | 13 | *030 008 354 | PLATE |
| 3 | 030 005 570 | PLATE R.H. & L.H. | 14 b | 808 850 200 | SCREW, FL.Hd.Soc. 1/4-28 x 1 1/4 |
| 4 | 030 007 165 | PIN DEJAMMER L.H. (NOT SHOWN) | 15 b | 808 850 320 | SCREW, FL.Hd.Soc. 1/4-28 x 2 |
| 5 | 030 007 166 | PIN DEJAMMER R.H. | 16 | 808 850 440 | SCREW, FL.Hd.Soc. 1/4-28 x 2 3/4 |
| 6 b | *030 007 794 | WASHER | 17 b | 810 250 280 | SCREW, Soc.Hd. 1/4-28 x 1 3/4 |
| 7 | 030 007 848 | WASHER | 18 | 810 250 520 | SCREW, Soc.Hd. 1/4-28 x 3 1/4 |
| 8 | 030 007 903 | "T" BAR | 19 | 813 974 162 | SCREW, HEX HD. 1/2-20 x 1 |
| 9 | *030 008 335 | ANGLE BRACKET, LONG | 20 b | 844 050 002 | LOCK NUT 1/4-28 |
| 10 b | *030 008 337 | COMPRESSION MOUNT | 21 b | 844 074 002 | LOCK NUT 1/2-20 |
| 11 b | *030 008 338 | FLANGE BEARING | 22 b | 948 753 102 | WASHER 9/32 x 5/8 |
| | | | 23 b | 951 172 002 | LOCK WASHER 1/2 |

* PARTS SO NOTED EFFECTIVE AT S.N. 77868. MACHINES 42000 TO 77867 CAN BE CONVERTED TO NEW TYPE PLATE MOUNTING BY ORDERING KIT 030 008 322.

b REFER TO PRICE LIST FOR MINIMUM ORDER QUANTITY AND PRICE.

CARPET ROLLER

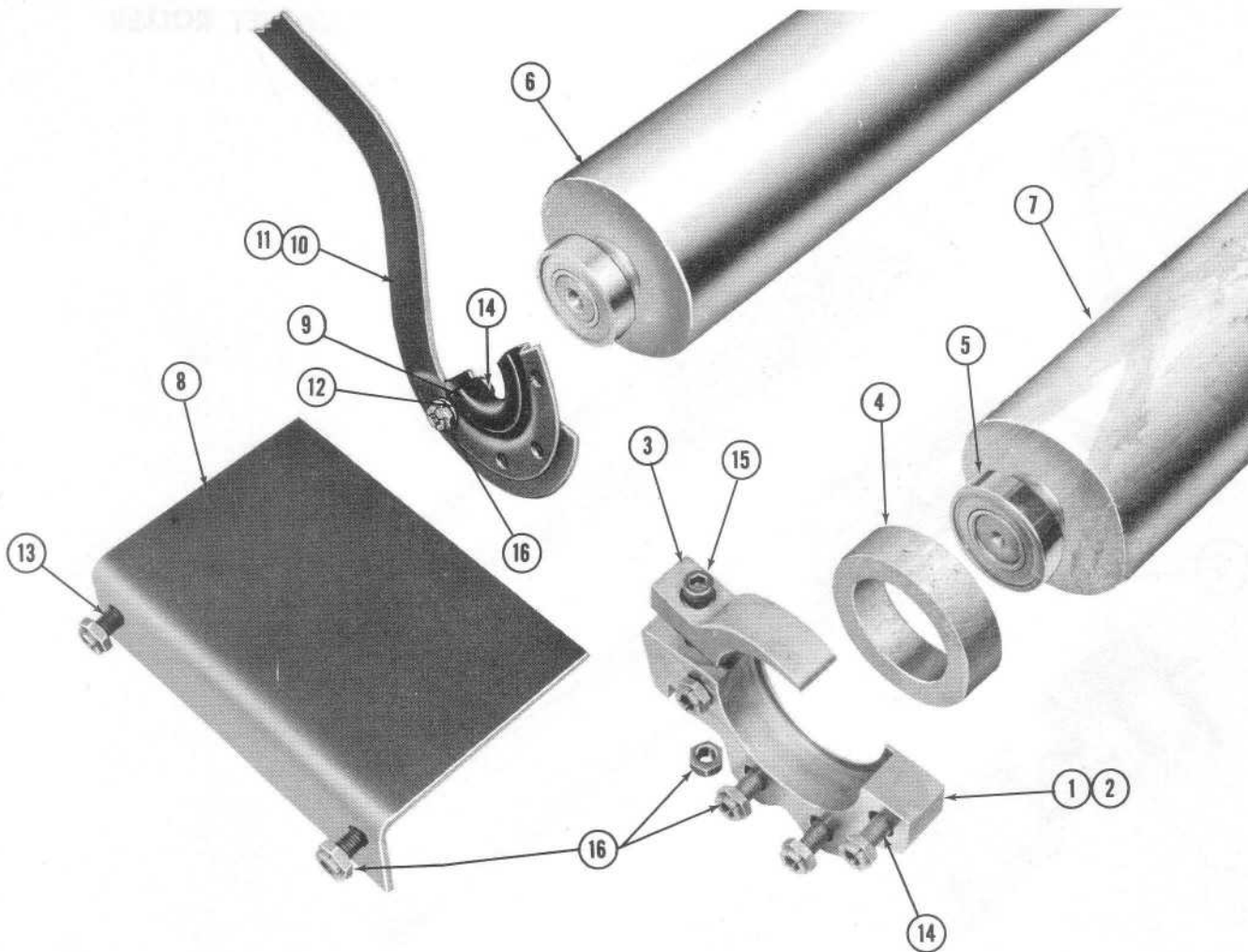


000 024 576 FRONT ROLLER ASSY.

| <u>ITEM</u> | <u>PART NUMBER</u> | <u>DESCRIPTION</u> |
|-------------|--------------------|----------------------------------|
| 1 | 000 024 578 | ROLLER BODY, UPPER & LOWER |
| 2 | 000 024 579 | HINGE |
| 3 | 000 024 580 | SHAFT |
| 4 | b 000 024 581 | LINK |
| 5 | b 000 024 582 | PIN |
| 6 | b 000 024 590 | BEARING |
| 7 | 000 024 592 | ROLLER END ASSY. |
| 8 | 000 024 597 | LINK ASSY. (WITH GREASE FITTING) |
| 9 | b 000 025 662 | SCREW, NYLOCK |
| 10 | b 710 501 002 | GREASE FITTING |
| 11 | b 913 411 100 | ROLL PIN |

b REFER TO PRICE LIST FOR MINIMUM ORDER QUANTITY AND PRICE.

CARPET ROLLER

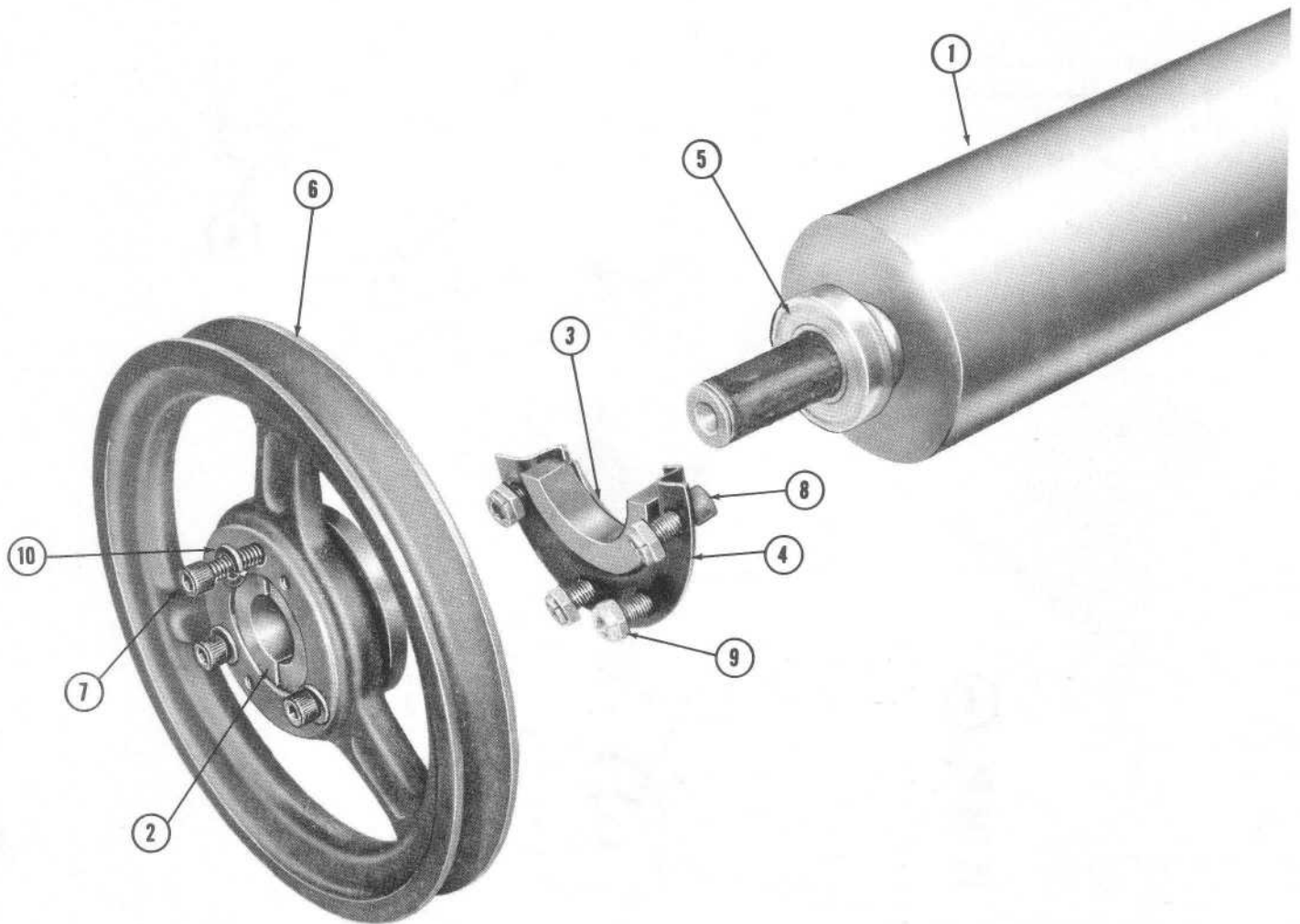


MIDDLE-REAR CARPET ROLLERS

| <u>ITEM</u> | <u>PART NUMBER</u> | <u>DESCRIPTION</u> |
|-------------|--------------------|---------------------------------|
| 1 | 030 003 460 | ROLLER SUPPORT L.H. |
| 2 | 030 003 461 | ROLLER SUPPORT R.H. |
| 3 | 030 003 462 | CLAMP |
| 4 | b 030 003 463 | RUBBER BUSHING |
| 5 | 030 005 008 | BEARING (EFF. TO S.N. 7617) |
| 5A | b 000 024 590 | BEARING (EFF. AT S.N. 7618) |
| 6 | 030 005 648 | REAR ROLLER ASSY. |
| 7 | 030 005 649 | MIDDLE ROLLER ASSY. |
| 8 | 000 022 878 | ANGLE |
| 9 | b 000 022 924 | INSERT, BEARING SUPPORT |
| 10 | 000 023 464 | SUPPORT WELDMENT R.H. |
| 11 | 000 023 465 | SUPPORT WELDMENT L.H. |
| 12 | b 000 023 467 | BUSHING |
| 13 | b 810 258 100 | SCREW, Soc.Hd. 5/16-24 x 5/8 |
| 14 | b 810 258 160 | SCREW, Soc.Hd. 5/16-24 x 1 |
| 15 | b 810 258 280 | SCREW, Soc. Hd. 5/16-24 x 1 3/4 |
| 16 | b 844 058 002 | LOCK NUT 5/16-24 |

b REFER TO PRICE LIST FOR MINIMUM ORDER QUANTITY AND PRICE.

CARPET ROLLER

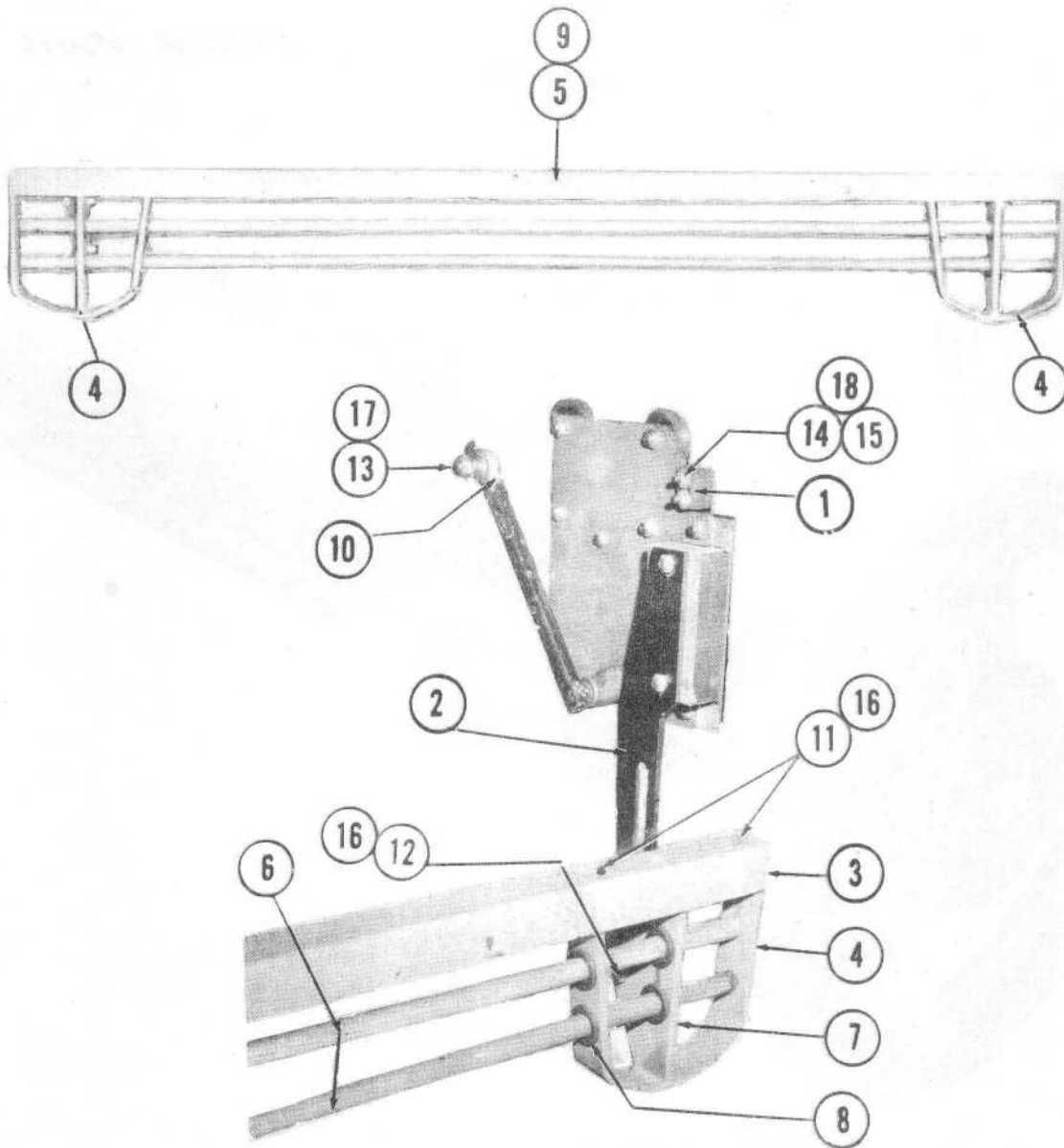


REAR ROLLER DRIVE ASSY.

| <u>ITEM</u> | <u>PART NUMBER</u> | <u>DESCRIPTION</u> |
|-------------|--------------------|--|
| 1 | 030 005 648 | REAR ROLLER ASSY. |
| 2 | 030 006 456 | HUB INSERT 7/8" BORE (EFF. TO S.N. 7617) |
| 2A | 030 006 457 | HUB INSERT 3/4" BORE (EFF. AT S.N. 7618) |
| 3 | b 000 022 924 | BEARING SUPPORT |
| 4 | b 000 022 926 | SUPPORT RETAINER |
| 5 | 030 005 008 | BEARING (EFF. TO S.N. 7617) |
| 5A | 000 024 590 | BEARING (EFF. AT S.N. 7618) |
| 6 | 000 026 458 | SHEAVE |
| 7 | b 810 249 200 | SCREW, Soc.Hd. 1/4-20 x 1 1/4 |
| 8 | b 810 258 100 | SCREW, Soc.Hd. 5/16-24 x 5/8 |
| 9 | b 844 058 002 | LOCK NUT 5/16-24 |
| 10 | b 951 148 002 | LOCK WASHER 1/4" |

b REFER TO PRICE LIST FOR MINIMUM ORDER QUANTITY AND PRICE.

SWEEP



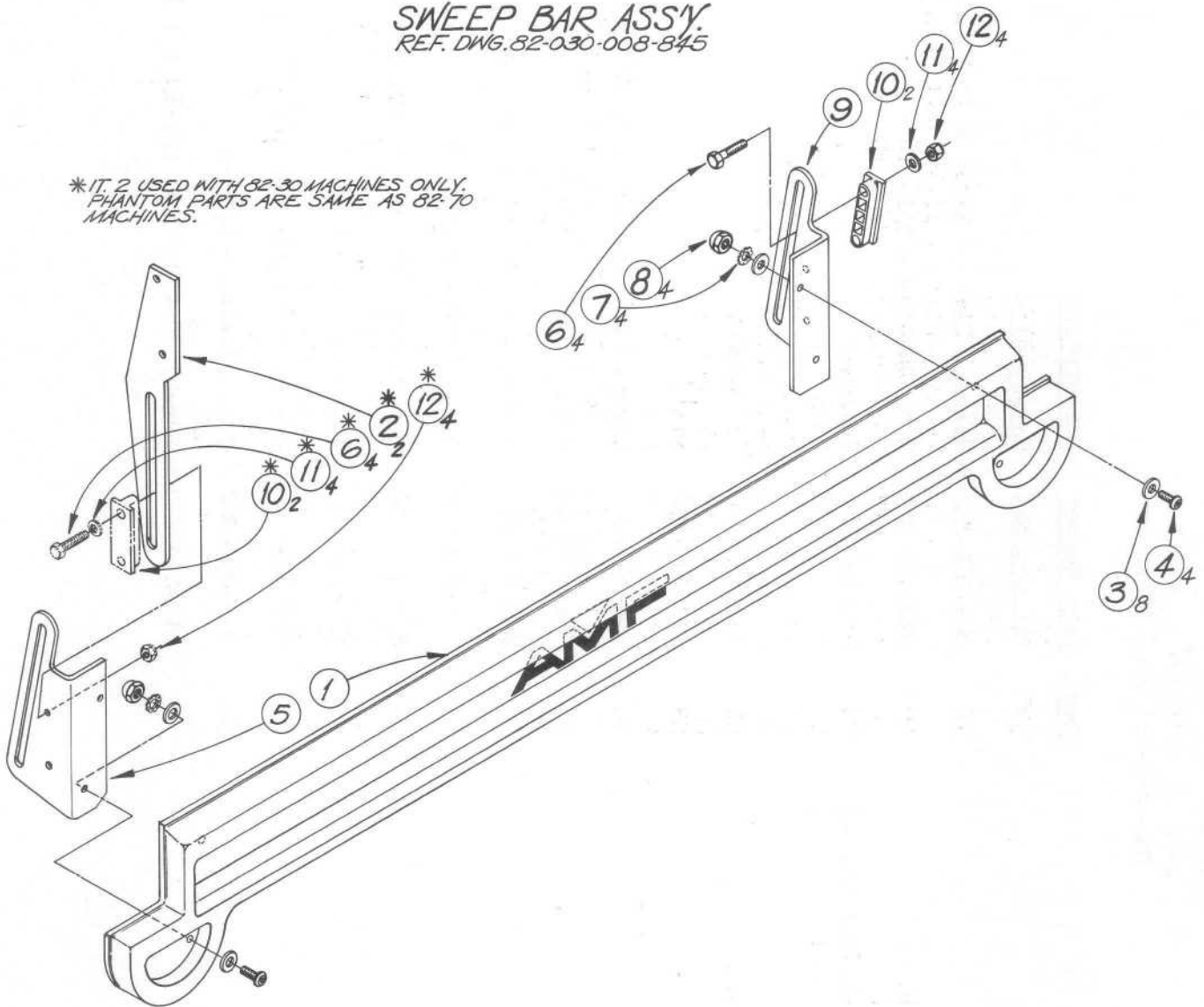
SWEEP SHIELD & TUBE ASSY.

| <u>ITEM</u> | <u>PART NO.</u> | <u>DESCRIPTION</u> | <u>ITEM</u> | <u>PART NO.</u> | <u>DESCRIPTION</u> |
|-------------|-----------------|--|-------------|-----------------|--|
| 1 b | 030 001 402 | STOP | 12 b | 808 558 200 | SCREW, BUTTON SOC. HD. CAP 5/16-24 X 1 1/4 |
| 2 | 030 006 730 | HANGER BRKT. (LEG) | 13 b | 809 870 245 | SCREW, HEX HD. CAP 7/16-20 X 1 1/2 |
| 3 | 030 006 732 | CHANNEL ASSY. | 14 b | 810 250 240 | SCREW, SOC. HD. CAP 1/4-28 X 1 1/2 |
| 4 | 030 006 733 | SHIELD L.H. & R.H. | 15 b | 814 050 002 | LOCKNUT 1/4-28 |
| 5 | 030 006 735 | SWEEP ASSY. | 16 b | 814 058 002 | LOCKNUT 5/16-24 |
| 6 | 030 007 020 | TUBE | 17 b | 814 070 002 | LOCKNUT 7/16-20 |
| 7 | 030 007 737 | SPACER SLIDE BAR | 18 b | 948 753 102 | WASHER, PLAIN 9/32 X 5/8 X 1/16 |
| 8 b | 070 003 236 | GROMMET | | | |
| 9 | 000 023 198 | SWEEP DECAL | | | |
| 10 b | 710 502 010 | GREASE FITTING (UNIBALL) | | | |
| 11 b | 808 558 120 | SCREW, BUTTON SOC. HD. CAP 5/16-24 X 3/4 | | | |

b REFER TO PRICE LIST FOR MINIMUM ORDER QUANTITY AND PRICE.

SWEEP BAR ASS'Y.
REF. DWG. 82-030-008-845

*IT. 2 USED WITH 82-30 MACHINES ONLY.
PHANTOM PARTS ARE SAME AS 82-70
MACHINES.



SWEEP BAR MOUNTING ASSEMBLY
82-30 PINSPOTTERS

| <u>Item</u> | <u>Part Number</u> | <u>Description</u> |
|-------------|--------------------|--|
| 1 | 030-008-865 | Sweep Bar Assembly |
| 2 | 030-008-361 | Bracket - Hanger |
| 3 | 948-722-111 | Washer - Plain, 11/32 Black Oxide |
| 4 | 808-557-140 | Cap Screw, Soc. Btn. Head, 5/16-18 x 7/8 |
| 5 | 030-008-844 | Bracket - Sweep L.H. Mounting |
| 6 | 809-857-245 | Screw, Hex, Head Cap, 5/16-18 x 1 1/2 |
| 7 | 957-400-002 | Washer - Shakeproof, 5/16 |
| 8 | 830-157-002 | Nut - Acorn (Std.) 5/16-18, Cad. Pl. |
| 9 | 030-008-843 | Bracket - Sweep R.H. Mounting |
| 10 | 000-023-182 | Bar Slide |
| 11 | 948-761-112 | Washer - Flat 11/16 x 11/32 x 1/16 |
| 12 | 844-057-002 | Nut - Lock Stover 5/16-18 |

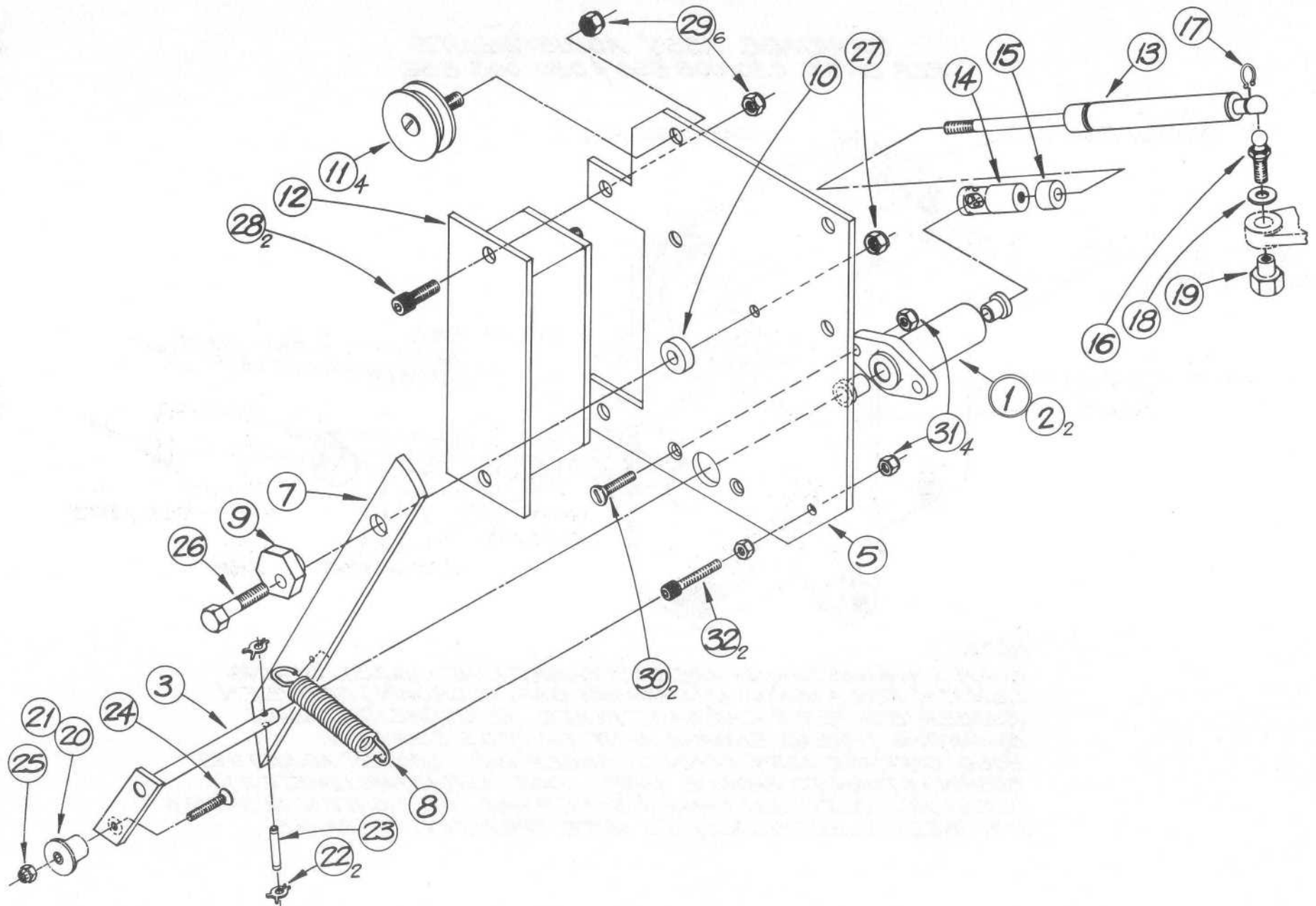
CARRIAGE ASSEMBLY (R.H.)
 REF. DWG. 030-008-856 (R.H.) &
 030-008-855 (L.H.)

REV. 8-79

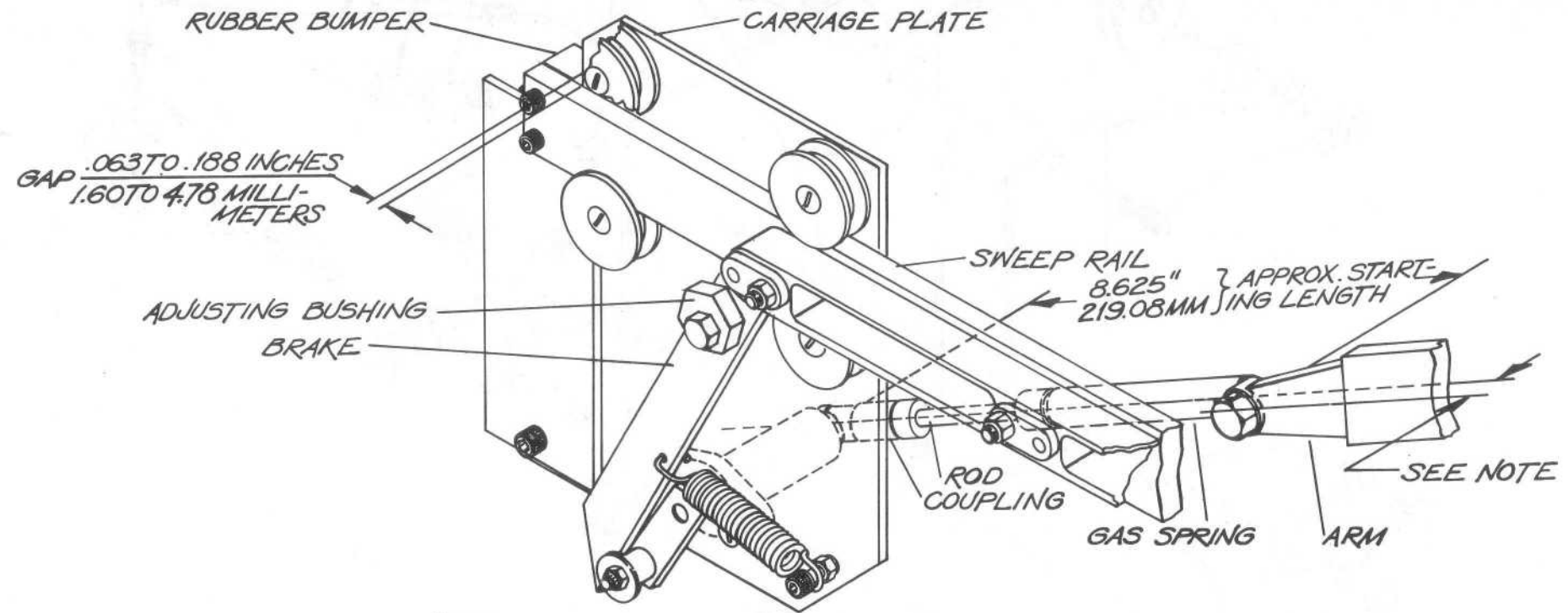
94B

| <u>Item</u> | <u>Part Number</u> | <u>Description</u> | <u>Item</u> | <u>Part Number</u> | <u>Description</u> |
|-------------|--------------------|-----------------------------------|-------------|--------------------|---------------------------------------|
| 1 | 030-008-851 | Hub Assembly | 17 | 744-212-046 | Safety Clip |
| 2 | 900-206-081 | Flange Bearing | 18 | 948-761-112 | Washer, Plain - 11/16 x 11/32 x 1/16 |
| 3 | 030-008-854 | Crank Weldment - R.H. | 19 | 030-008-857 | Nut, Bushing - 5/16-18 |
| 4 | 030-008-853 | Crank Weldment - L.H. (Not Shown) | 20 | 030-008-380 | Follower |
| 5 | 030-005-146 | Plate R.H. | 21 | 900-103-092 | Bearing, Plain Sleeve |
| 6 | 030-005-145 | Plate L.H. (Not Shown) | 22 | 030-001-358 | "X" Washer |
| 7 | 030-002-171 | Brake | 23 | 030-005-278 | Pin |
| 8 | 000-022-168 | Spring | 24 | 808-839-160 | Screw, Cap, Fl. Soc. HD, #10-24 x 1 |
| 9 | 030-005-006 | Bushing, Adj. | 25 | 840-039-002 | Nut, Flexloc, #10-24 |
| 10 | 030-008-379 | Spacer | 26 | 809-858-240 | Screw, Hex HD, Mach., 5/16-24 x 1 1/2 |
| 11 | 030-002-114 | Roller | 27 | 839-758-002 | Nut, Flexloc - 5/16-24 |
| 12 | 030-001-713 | Mounting Shock | 28 | 810-266-120 | Screw, Soc. HD Cap, 3/8-24 x 3/4 |
| 13 | 030-008-860 | Gas Spring | 29 | 839-766-002 | Nut, Flexloc - 3/8-24 |
| 14 | 030-008-859 | Coupling | 30 | 812-049-165 | Screw, Mach. Fl. HD, 1/4-20 x 1 |
| 15 | 030-008-858 | Rubber Washer | 31 | 840-049-002 | Nut, Flexloc - 1/4-20 |
| 16 | 939-757-080 | Ball Stud | 32 | 810-249-200 | Screw, Soc. HD Cap, 1/4-20 x 1 1/4 |

CARRIAGE ASS'Y.
REF. DWG. 030-008-856 (R.H.) SHOWN
030-008-855 (L.H.)

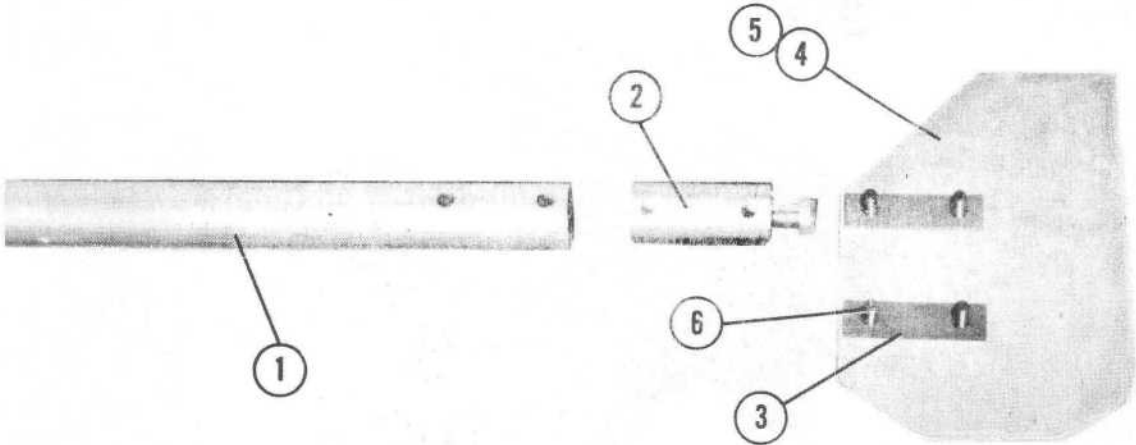


CARRIAGE ASS'Y. ADJUSTMENTS REF. DWG'S. 030-008-855 & 030-008-856



NOTE:
 WHEN ARM & GAS SPRING ARE IN STRAIGHT LINE ADJUST SPRING LENGTH FOR A MINIMUM/MAXIMUM GAP (AS SHOWN) BETWEEN RUBBER BUMPER & CARRIAGE PLATE. ADJUSTMENT IS MADE BY VARYING THREAD ENGAGEMENT OF ROD & COUPLING. HOLD CARRIAGE ASS'Y. DOWN ON SWEEP RAIL. LOOSEN ADJUSTING BUSHING & TURN TO PROVIDE APPROX. .005 INCH (.127 MILLIMETER) CLEARANCE BETWEEN BRAKE & SWEEP RAIL. RE-TIGHTEN BUSHING & RUN SWEEP ELECTRICALLY TO NOTE OPERATION OF BRAKE.

SWEEP

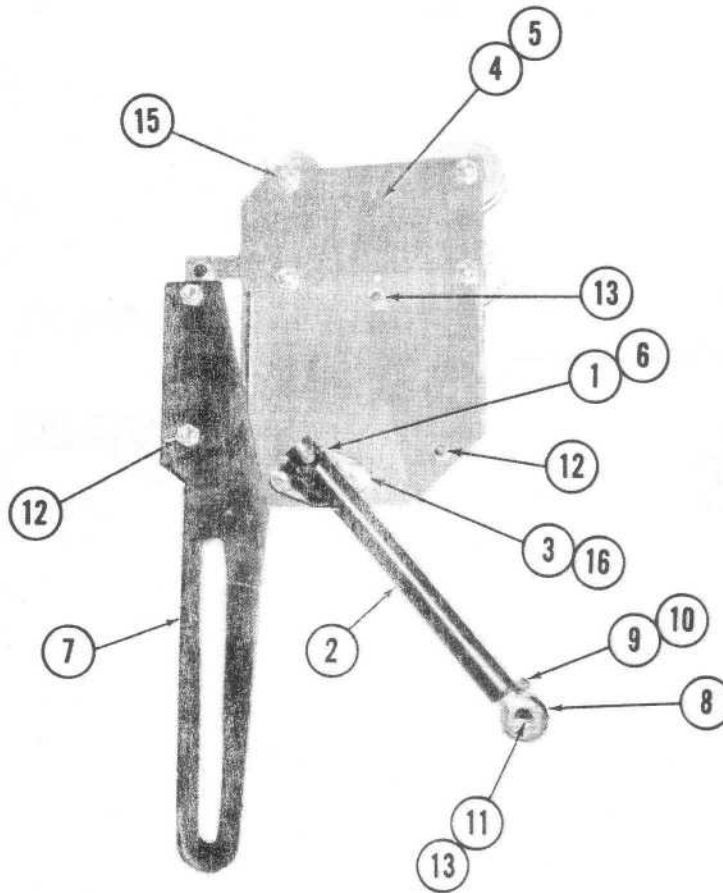


SWEEP

| <u>ITEM</u> | <u>PART NO.</u> | <u>DESCRIPTION</u> |
|-------------|-----------------|---------------------------------------|
| 1 | 030 005 137 | TUBE |
| 2 | 030 005 138 | INSERT |
| 3 b | 030 005 141 | DAMPER |
| 4 | 030 005 142 | PADDLE, R.H. |
| 5 | 030 005 143 | PADDLE, L.H. |
| 6 b | 808 866 160 | SCREW, FL. Soc. Hd. CAP 3/8-24 X 1 |

b REFER TO PRICE LIST FOR MINIMUM ORDER QUANTITY AND PRICE.

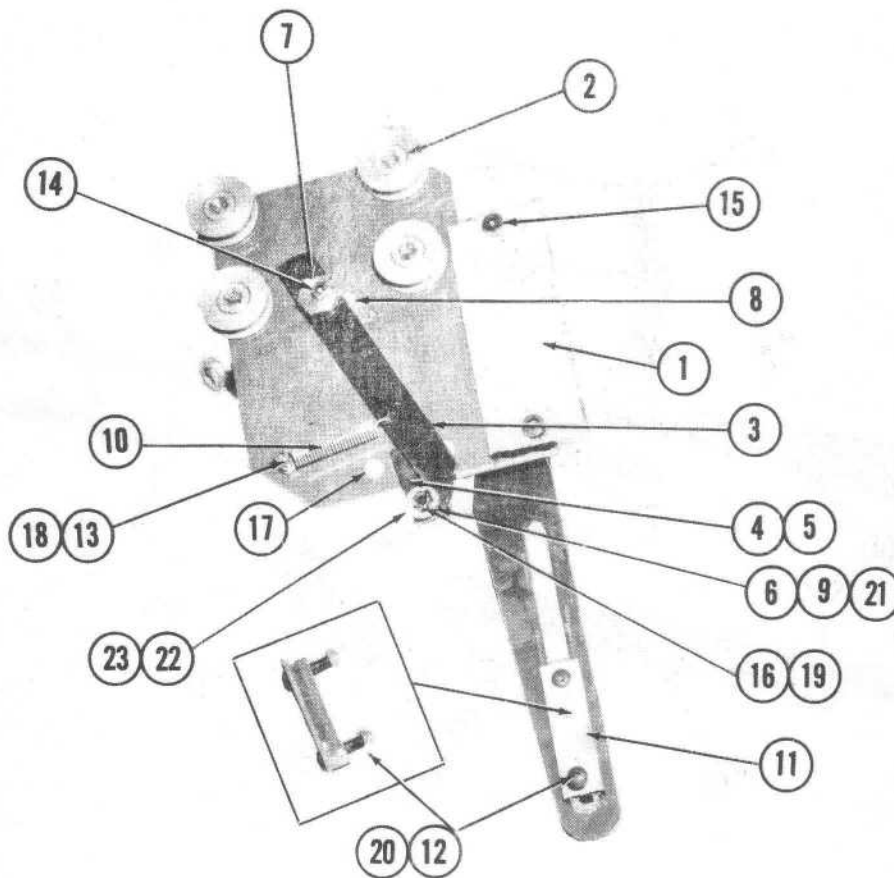
SWEEP



SWEEP CARRIAGE ASSY.-INSIDE

| <u>ITEM</u> | <u>PART NO.</u> | <u>DESCRIPTION</u> |
|-------------|-----------------|---|
| 1 b | 030 001 358 | X-WASHER |
| 2 | 030 001 367 | LINK |
| 3 | 030 002 005 | HUB ASSY. |
| 4 | 030 005 145 | CARRIAGE PLATE L.H. |
| 5 | 030 005 146 | CARRIAGE PLATE R.H. |
| 6 b | 030 005 278 | PIN |
| 7 | 030 008 361 | LEG |
| 7A | 030 005 144 | LEG (NOT SHOWN) (EFF. SER. No. 7618 to 41197) |
| 8 b | 000 025 004 | END FITTING R.H. |
| 9 b | 710 502 010 | GREASE FITTING 6-32 THD. |
| 10 b | 710 502 011 | GREASE FITTING 8-32 THD. |
| 11 b | 809 870 245 | BOLT, HEX HD. THIN 7/16-20 X 1 1/2 |
| 12 b | 839 750 002 | NUT SELF LOCKING 1/4-28 |
| 13 b | 839 758 002 | NUT SELF LOCKING 5/16-24 |
| 14 b | 844 070 002 | NUT SELF LOCKING 7/16-20 |
| 15 | 844 066 002 | NUT SELF LOCKING 3/8-24 |
| 16 | 900 206 081 | BUSHING |

b REFER TO PRICE LIST FOR MINIMUM ORDER QUANTITY AND PRICE.



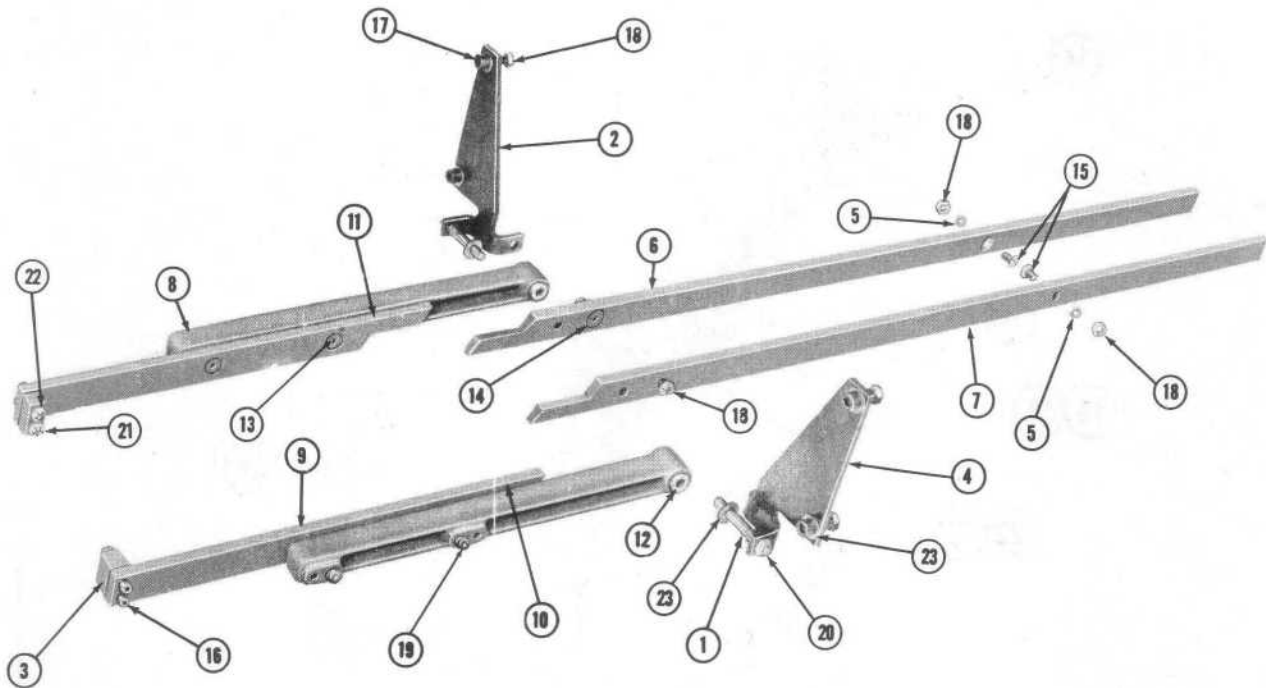
SWEEP CARRIAGE ASSY. - OUTSIDE

| ITEM | PART NO. | DESCRIPTION |
|-------|-------------|--|
| 1 | 030 001 713 | SHOCK MOUNT |
| 2 b | 030 002 114 | ROLLER WHEEL |
| 3 | 030 002 171 | BRAKE |
| 4 | 030 002 172 | CRANK WELDMENT L.H. |
| 5 | 030 002 173 | CRANK WELDMENT R.H. |
| *6 | 030 004 752 | BEARING |
| 7 b | 030 005 006 | ECCENTRIC BUSHING |
| 8 | 030 008 379 | SPACER |
| 9 b | 030 008 380 | FOLLOWER (EFF. TO S/N 82668) |
| 10 b | 000 022 168 | SPRING |
| 11 b | 000 023 182 | SPACER |
| 12 b | 808 558 200 | SCREW, SOC. BUT. HD. CAP 5/16-24 X 1 1/4 |
| 13 b | 810 250 200 | SCREW, SOC. HD. CAP 1/4-28 X 1 1/4 |
| 14 b | 810 258 200 | SCREW, SOC. HD. CAP 5/16-24 X 1 1/4 |
| 15 b | 810 266 120 | SCREW, SOC. HD. CAP 3/8-24 3/4 |
| 16 b | 812 040 122 | SCREW, FL. HD. 10-32 X 3/4 (EFF. TO S/N 82667) |
| b | 812 040 180 | SCREW, FL. HD. 10-32 X 1 1/8 (EFF. AFTER S/N 82667) |
| 17 b | 812 050 122 | SCREW FL. HD. 1/4-28 X 3/4 |
| 18 b | 839 750 002 | LOCKNUT 1/4-28 |
| 19 b | 840 040 002 | LOCKNUT 10-32 |
| 20 b | 844 058 002 | LOCKNUT 5/16-24 |
| 21 b | 900 103 092 | SLEEVE BEARING |
| *22 b | 948 745 082 | WASHER, PLAIN 7/32 X 1/2 X 1/16 |
| *23 b | 953 838 142 | WASHER, PLAIN #10 X 7/8 X 1/16 |

b REFER TO PRICE LIST FOR MINIMUM ORDER QUANTITY AND PRICE.

* EFFECTIVE TO SERIAL NUMBER 82667

SWEEP

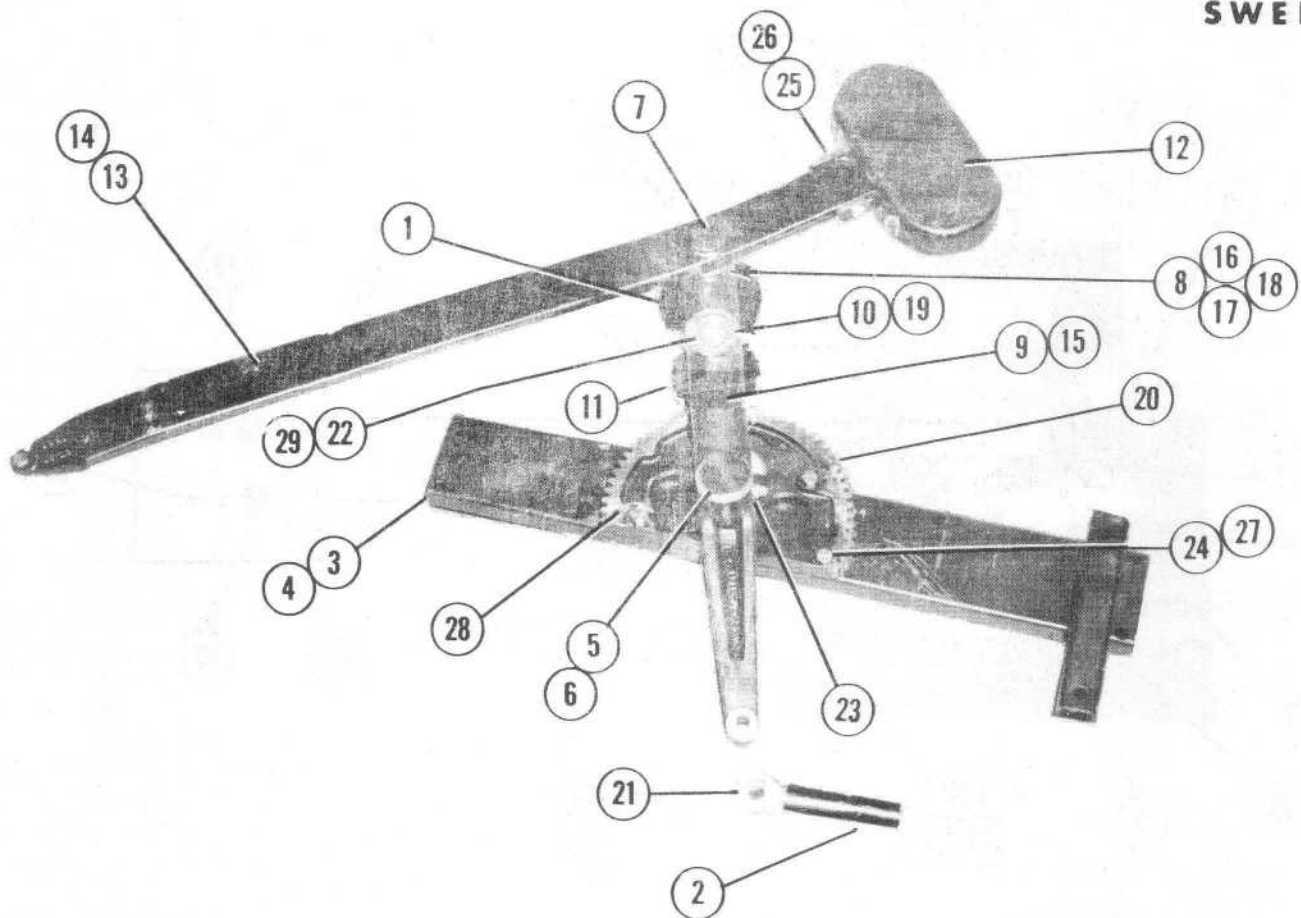


SWEEP TRACKS & SUPPORTS

| <u>ITEM</u> | <u>PART NO.</u> | <u>DESCRIPTION</u> | <u>ITEM</u> | <u>PART NO.</u> | <u>DESCRIPTION</u> |
|-------------|-----------------|-----------------------------------|-------------|-----------------|---------------------------------------|
| 1 b | 030 001 369 | STUD | 15 b | 808 866 200 | SCREW, FL. Hd. Soc. 3/8-24 1 1/4 |
| 2 | 030 001 376 | HANGER, L.H. | 16 b | 810 250 240 | SCREW, Soc. Hd. CAP 1/4-28 1 1/2 |
| 3 b | 030 001 402 | STOP | 17 b | 810 266 140 | SCREW, Soc. Hd. CAP 3/8-24 X 7/8 |
| 4 | 030 001 408 | HANGER, R.H. | 18 b | 831 566 002 | LOCKNUT 3/8-24 |
| 5 b | 030 002 426 | SPACER | 19 b | 835 558 002 | HEX NUT 5/16-24 |
| 6 | 030 006 008 | RAIL, L.H. | 20 b | 835 566 002 | HEX NUT 3/8-24 |
| 7 | 030 006 009 | RAIL, R.H. | 21 b | 839 750 002 | LOCKNUT 1/4-28 |
| 8 | 030 006 014 | PIVOT ARM Assy.L.H. | 22 b | 948 753 102 | WASHER, PLAIN 9/32 X 5/8 X 1/16 |
| 9 | 030 006 015 | PIVOT ARM Assy.R.H. | 23 | 948 767 132 | WASHER, PLAIN 13/32 X 13/16 X 1/16 |
| 10 | 030 006 432 | TRACK PIVOT R.H. | | | |
| 11 | 030 006 433 | TRACK PIVOT L.H. | | | |
| 12 b | 701 412 054 | BEARING | | | |
| 13 b | 808 858 320 | SCREW, FL. Hd. Soc. 3/8-16 X 2 | | | |
| 14 b | 808 866 160 | SCREW, FL. Hd. Soc. 3/8-24 X 1 | | | |

b REFER TO PRICE LIST FOR MINIMUM ORDER QUANTITY AND PRICE.

SWEEP

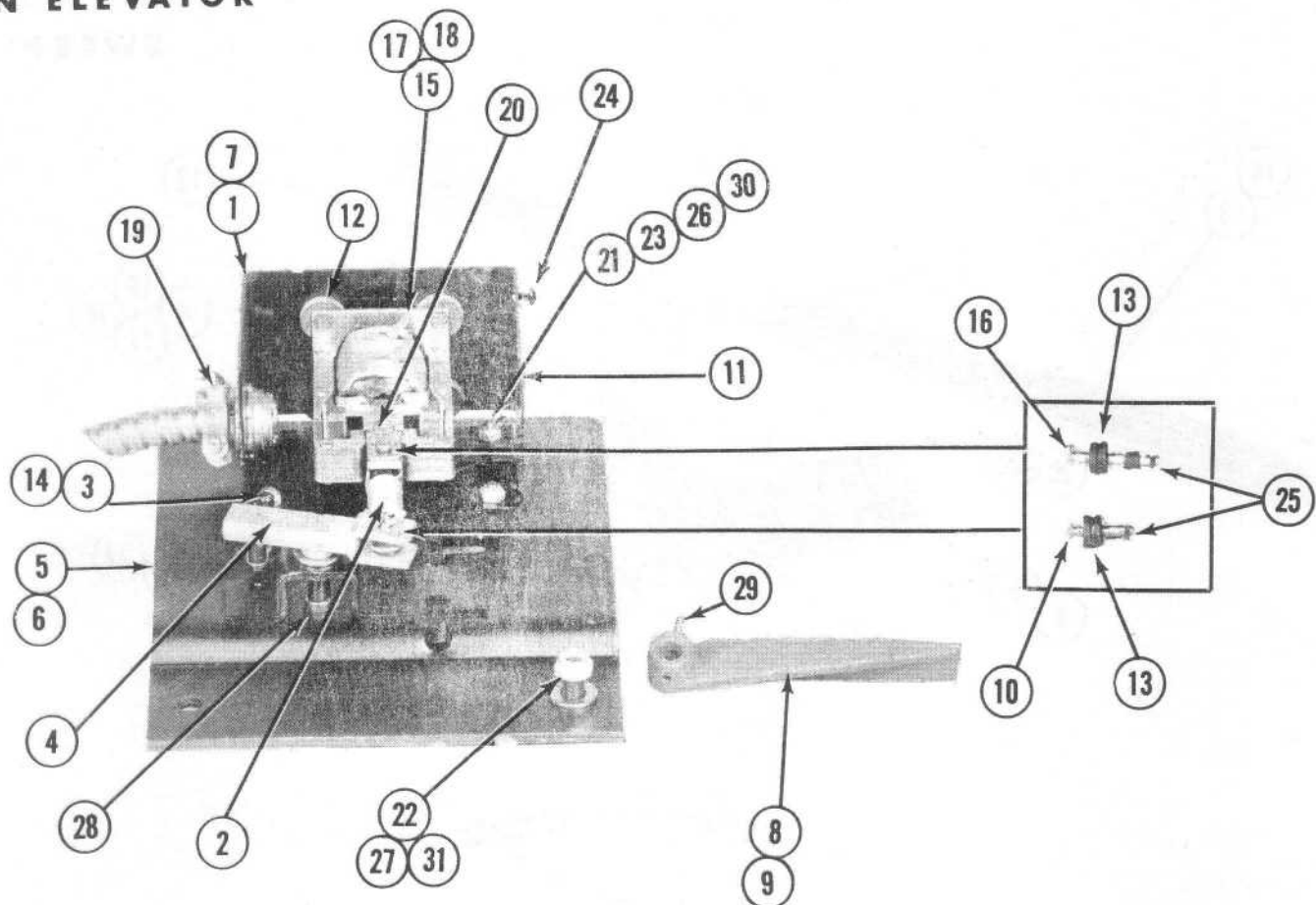


SWEEP ARM ASSY.

| ITEM | PART NO. | DESCRIPTION | ITEM | PART NO. | DESCRIPTION |
|------|-------------|--|------|-------------|--|
| 1 | 030 001 373 | GEAR | 16 | 030 007 928 | BEARING INNER RACE (USE WITH 030 007 927) |
| 2 | 030 001 387 | CONNECTING ROD | 17 b | 030 007 929 | SEAL (USE WITH 030 007 927) |
| 3 | 030 002 399 | SUPPORT WELDMENT L.H. | 18 | 030 007 930 | BEARING (USE WITH 030 007 927) |
| 4 | 030 002 425 | SUPPORT WELDMENT R.H. | 19 | 030 008 301 | BEARING (USE WITH 030 007 927) |
| 5 | 030 002 540 | BEARING | 20 | 030 008 541 | SEGMENT |
| 6 | 030 003 376 | STUB SHAFT | 21 b | 000 025 005 | END FITTING |
| 7 | 030 004 991 | SLEEVE (NOT SHOWN) | 22 b | 000 025 120 | WASHER |
| 8 | 030 005 093 | BEARING (USE WITH 030 005 109) | 23 b | 710 501 001 | GREASE FITTING |
| 9 | 030 005 109 | LEVER & BUSHING ASSY. (EFFECTIVE TO S/N 47247) | 24 b | 809 858 365 | SCREW, HEX HD. CAP 5/16-24 X 2 1/4 |
| 10 | 030 005 110 | BEARING (USE WITH 030 005 109) | 25 b | 810 250 480 | SCREW, SOC. HD. CAP 1/4-28 X 3 |
| 11 | 030 005 118 | GEAR ASSY. | 26 b | 844 050 002 | LOCKNUT 1/4-28 |
| 12 | 030 005 714 | COUNTER BALANCE WEIGHT | 27 b | 844 058 002 | LOCKNUT 5/16-24 |
| 13 | 030 006 689 | COUNTER BALANCE ARM (EFFECTIVE TO S/N 47247) | 28 b | 908 064 320 | DOWEL PIN |
| 14 | 030 007 414 | COUNTER BALANCE ARM (EFFECTIVE AFTER S/N 47247) | 29 b | 919 006 000 | RETAINER RING |
| 15 | 030 007 927 | LEVER & BUSHING ASSY. (EFFECTIVE AFTER S/N 47247) | | | |

b REFER TO PRICE LIST FOR MINIMUM ORDER QUANTITY AND PRICE.

PIN ELEVATOR

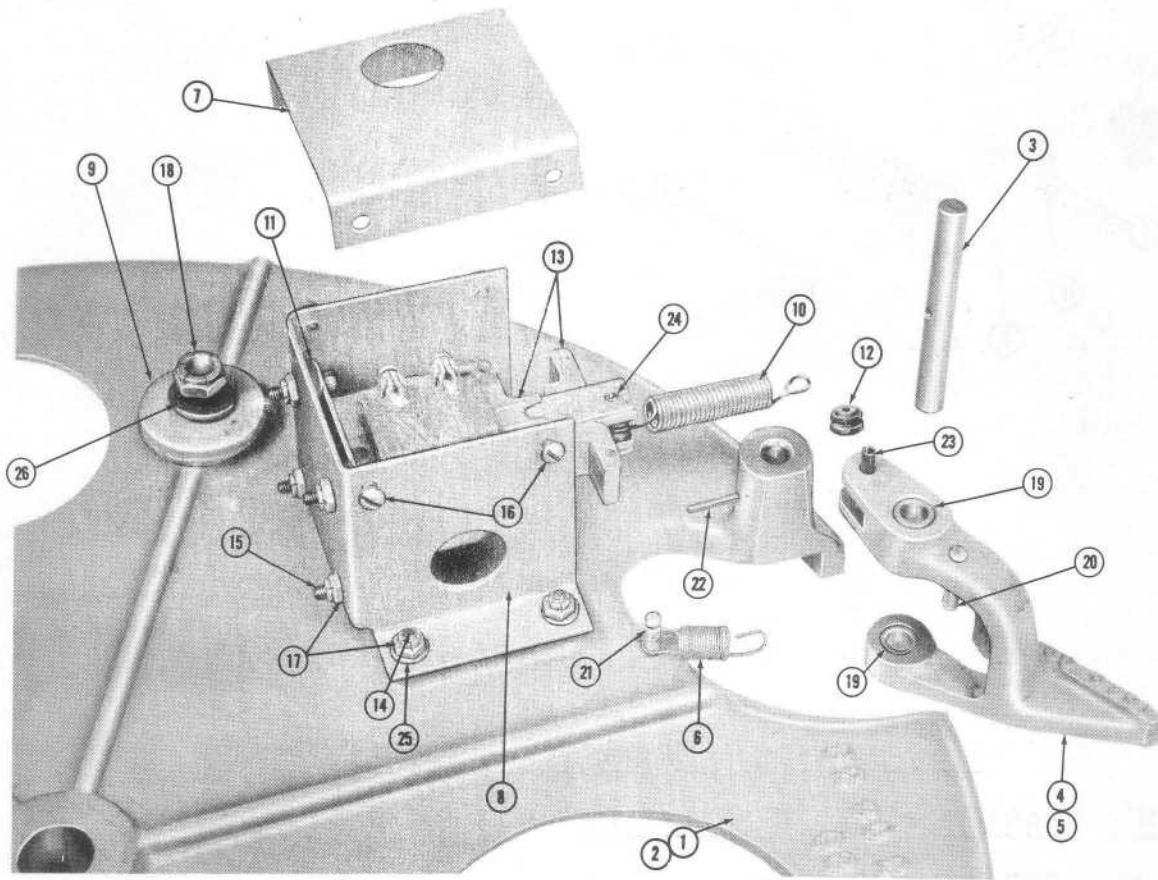


GATE ASSEMBLY

| ITEM | PART NO. | DESCRIPTION | ITEM | PART NO. | DESCRIPTION |
|------|-------------|-----------------------------|------|-------------|--------------------------------------|
| 1 | 030 003 260 | BRACKET, SOLENOID | 17 b | 743 000 004 | CAPACITOR (AS REQUIRED) |
| 2 | 030 003 903 | SPRING | 18 | 744 200 007 | CLIP (AS REQUIRED) |
| 3 | 030 006 621 | SPRING POST | 19 b | 746 001 015 | CONNECTOR |
| 4 | 030 006 624 | ARM, ROCKER | 20 b | 785 501 154 | PLUNGER GUIDE |
| 5 | 030 006 628 | BRACKET WELD. L.H. | 21 b | 810 233 080 | SCREW, SOC. HD. CAP 8-32 X 1/2 |
| 6 | 030 006 629 | BRACKET WELD. R.H. | 22 b | 810 258 120 | SCREW, SOC. HD. CAP 5/16-24 X 3/4 |
| 7 | 030 006 686 | GUARD, SOLENOID (NOT SHOWN) | 23 b | 813 933 082 | SCREW, HEX HD. CAP 8-32 X 1/2 |
| 8 | 030 008 317 | CAM L.H. | 24 b | 823 632 042 | SCREW, SELF TAP. 8 X 1/4 |
| 9 | 030 008 318 | CAM R.H. | 25 b | 838 727 002 | LOCKNUT 6-32 |
| 10 | 030 008 392 | SHOULDER SCREW | 26 b | 840 033 002 | LOCKNUT 8-32 |
| 11 | 000 021 213 | PLUG BUTTON (NOT SHOWN) | 27 b | 844 058 002 | LOCKNUT 5/16-24 |
| 12 | 000 021 442 | WASHER | 28 b | 900 205 061 | BEARING, FLANGE |
| 13 | 000 023 904 | BUSHING | 29 b | 913 423 100 | ROLL PIN .125 X 5/8 |
| 14 | 000 024 657 | SPRING (NOT SHOWN) | 30 b | 948 637 072 | WASHER 3/16 X 7/16 X .046 |
| 15 | 000 026 027 | SOLENOID | 31 b | 948 761 112 | WASHER 11/32 X 11/16 X 1/16 |
| 16 | 000 028 391 | PIN | | | |

b REFER TO PRICE LIST FOR MINIMUM ORDER QUANTITY AND PRICE.

PIN ELEVATOR

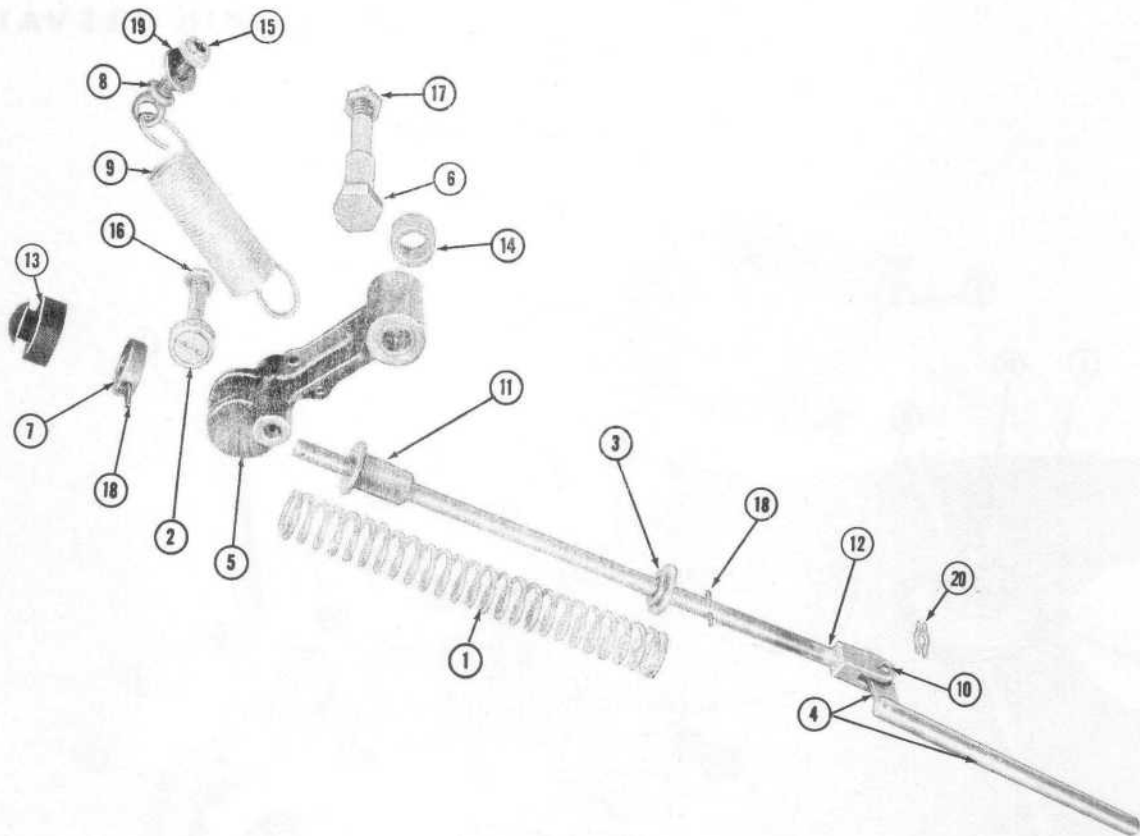


LATCH ASSEMBLY - PIN ELEVATOR CAM

| <u>ITEM</u> | <u>PART NO.</u> | <u>DESCRIPTION</u> | <u>ITEM</u> | <u>PART NO.</u> | <u>DESCRIPTION</u> |
|-------------|-----------------|-----------------------------------|-------------|-----------------|-------------------------------------|
| 1 | 030 002 945 | CAM, L.H. | 15 b | 810 233 120 | SCREW, Soc. Hd. CAP 8-32 X 3/4 |
| 2 | 030 002 946 | CAM, R.H. | 16 b | 913 431 100 | ROLL PIN |
| 3 b | 030 003 036 | PIVOT PIN | 17 b | 840 033 002 | LOCKNUT 8-32 |
| 4 | 030 003 082 | LATCH ASSY. R.H. | 18 b | 844 066 002 | LOCKNUT 3/8-24 |
| 5 | 030 003 083 | LATCH ASSY. L.H. | 19 b | 900 105 061 | BEARING |
| 6 b | 030 003 227 | SPRING | 20 b | 823 632 042 | SCREW, RD. HD. SELF TAP. 8 X 1/4 |
| 7 | 030 003 259 | SOLENOID COVER | 21 b | 912 737 160 | GROOVE PIN |
| 8 | 030 003 260 | SOLENOID BRACKET | 22 b | 913 423 120 | ROLL PIN .125 X 3/4 |
| 9 | 030 003 645 | SPACER | 23 b | 913 431 100 | ROLL PIN .156 X 5/8 |
| 10 b | 030 003 903 | SPRING | 24 b | 913 431 120 | ROLL PIN .156 X 3/4 |
| 11 b | 000 021 442 | WASHER | 25 b | 948 637 072 | WASHER 3/16 X 7/16 X .46-3/64 |
| 12 b | 000 023 904 | SOLENOID SPRING | 26 b | 949 100 002 | WASHER 15/32 X 59/64 X 1/16 |
| 13 | 000 026 027 | SOLENOID | | | |
| 14 b | 810 233 100 | SCREW, Soc. Hd. CAP 8-32 X 5/8 | | | |

b REFER TO PRICE LIST FOR MINIMUM ORDER QUANTITY AND PRICE.

PIN ELEVATOR

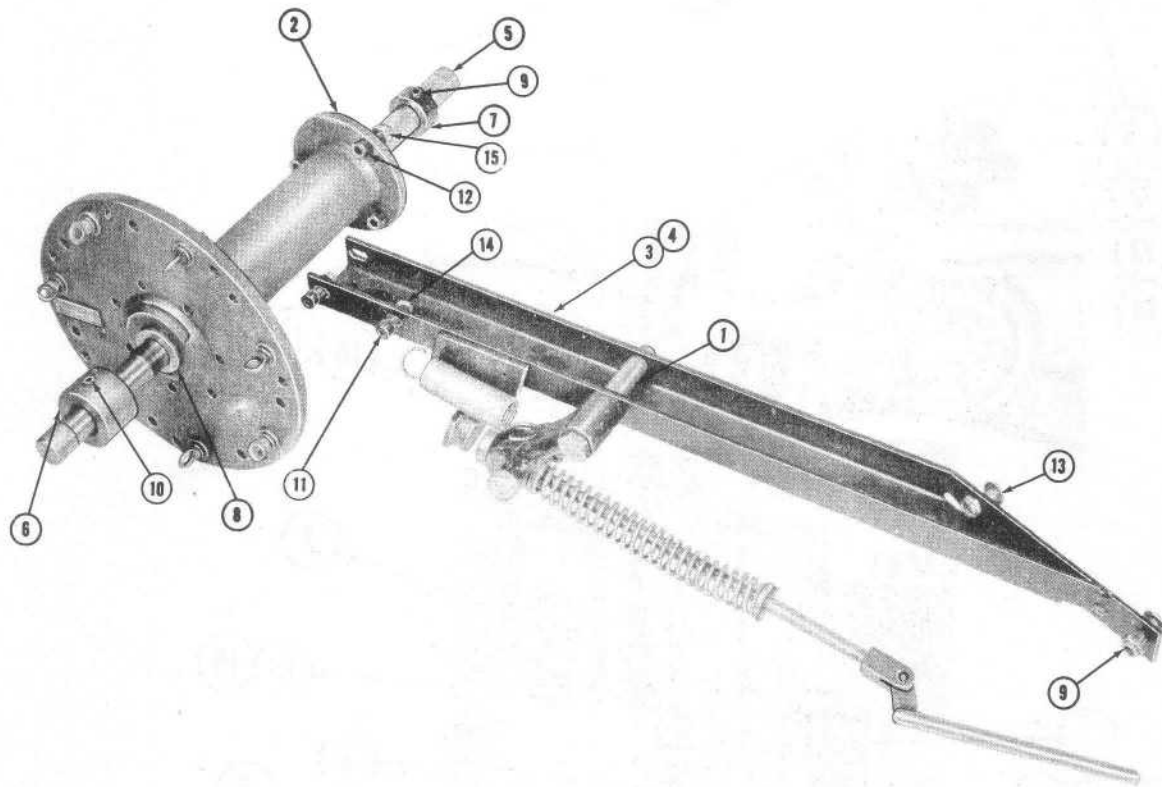


PIN ELEVATOR - PIN ASSY. - CLAMP

| <u>ITEM</u> | <u>PART NO.</u> | <u>DESCRIPTION</u> |
|-------------|-----------------|--------------------------|
| 1 b | 030 001 099 | SPRING |
| 2 | 030 001 119 | FOLLOWER |
| 3 b | 030 001 121 | WASHER |
| 4 | 030 001 564 | ROD WELDMENT |
| 5 | 030 001 648 | LEVER ASSY. |
| 6 | 030 001 690 | STUD |
| 7 b | 030 001 694 | WASHER |
| 8 b | 030 003 206 | EYE BOLT |
| 9 b | 030 003 248 | SPRING |
| 10 b | 030 003 450 | CLEVIS PIN |
| 11 b | 030 004 517 | BUSHING |
| 12 | 030 006 142 | ROD WELDMENT |
| 13 b | 000 021 992 | BUMPER |
| 14 b | 701 514 074 | BUSHING |
| 15 b | 844 049 002 | LOCKNUT 1/4-20 |
| 16 b | 844 050 002 | LOCKNUT 1/4-28 |
| 17 b | 844 058 002 | LOCKNUT 5/16-24 |
| 18 b | 913 415 140 | ROLL PIN .094 X 7/8 |
| 19 b | 948 753 102 | WASHER 9/32 X 5/8 X 1/16 |
| 20 b | 963 200 002 | X WASHER |

b REFER TO PRICE LIST FOR MINIMUM ORDER QUANTITY AND PRICE.

PIN ELEVATOR

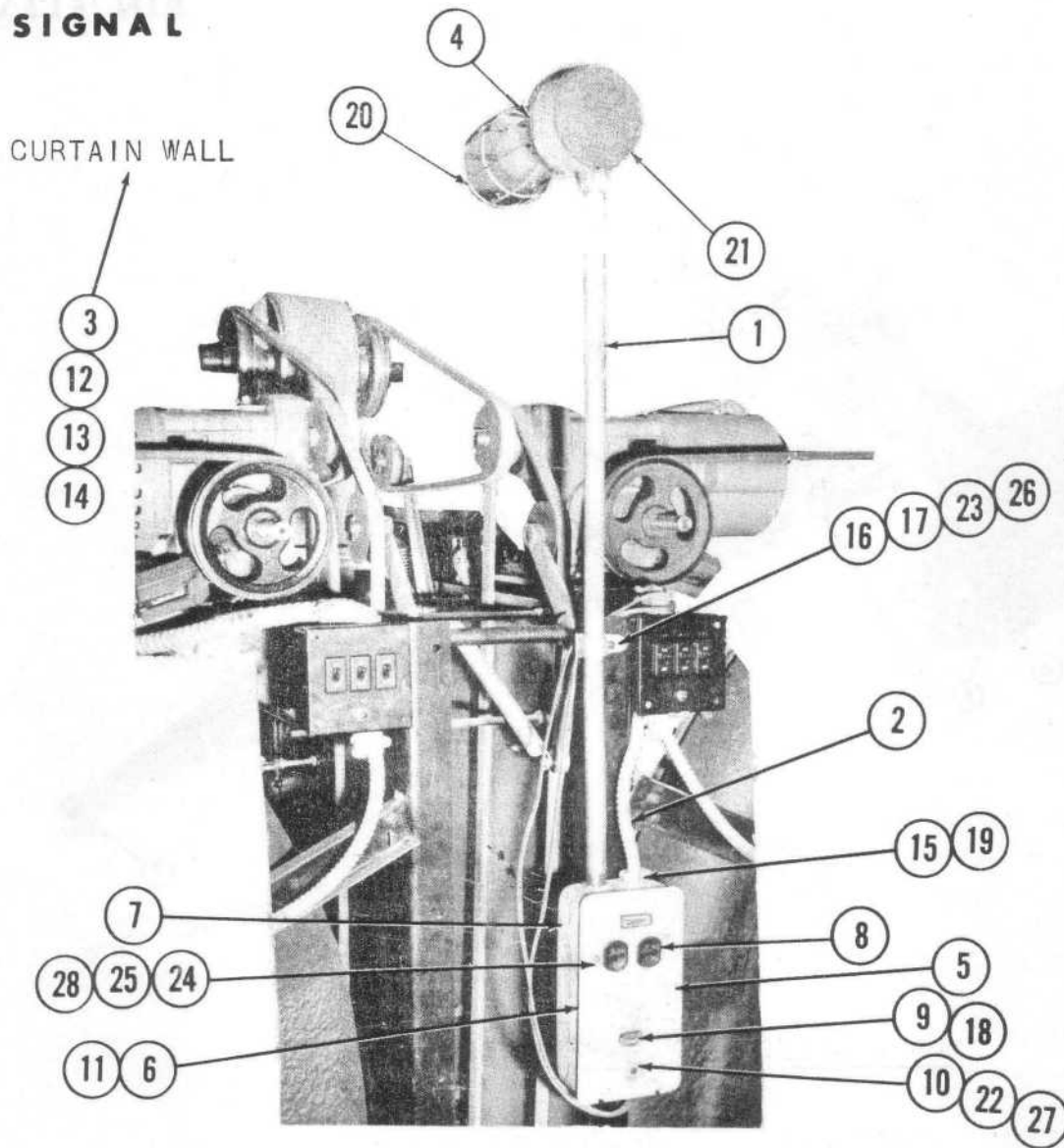


HUB - SPOKE ASSY. - PIN ELEVATOR

| <u>ITEM</u> | <u>PART NO.</u> | <u>DESCRIPTION</u> |
|-------------|-----------------|---|
| 1 b | 030 001 114 | SPACER |
| 2 | 030 001 120 | HUB ASSY. |
| 3 | 030 001 679 | SPOKE ASSY. R.H. |
| 4 | 030 002 013 | SPOKE ASSY. L.H. |
| 5 | 030 003 335 | PIN ELEVATOR SHAFT |
| 6 | 030 003 404 | SPACER |
| 7 b | 000 024 737 | COLLAR |
| 8 b | 701 424 062 | BEARING |
| 9 b | 807 358 040 | SET SCREW, KNURLED PT. 5/16-24 X 1/4 |
| 10 b | 807 358 060 | SET SCREW, CUT PT. 5/16-24 X 3/8 |
| 11 b | 810 250 120 | SCREW, SOC. HD. CAP 1/4-28 X 3/4 |
| 12 b | 810 258 120 | SCREW, SOC. HD. CAP 5/16-24 X 3/4 |
| 13 b | 813 550 102 | SCREW, TRUSS HD. 1/4-28 X 5/8 |
| 14 b | 840 050 002 | LOCKNUT 1/4-28 |
| 15 b | 844 058 002 | LOCKNUT 5/16-24 |

b REFER TO PRICE LIST FOR MINIMUM ORDER QUANTITY AND PRICE.

PIT SIGNAL

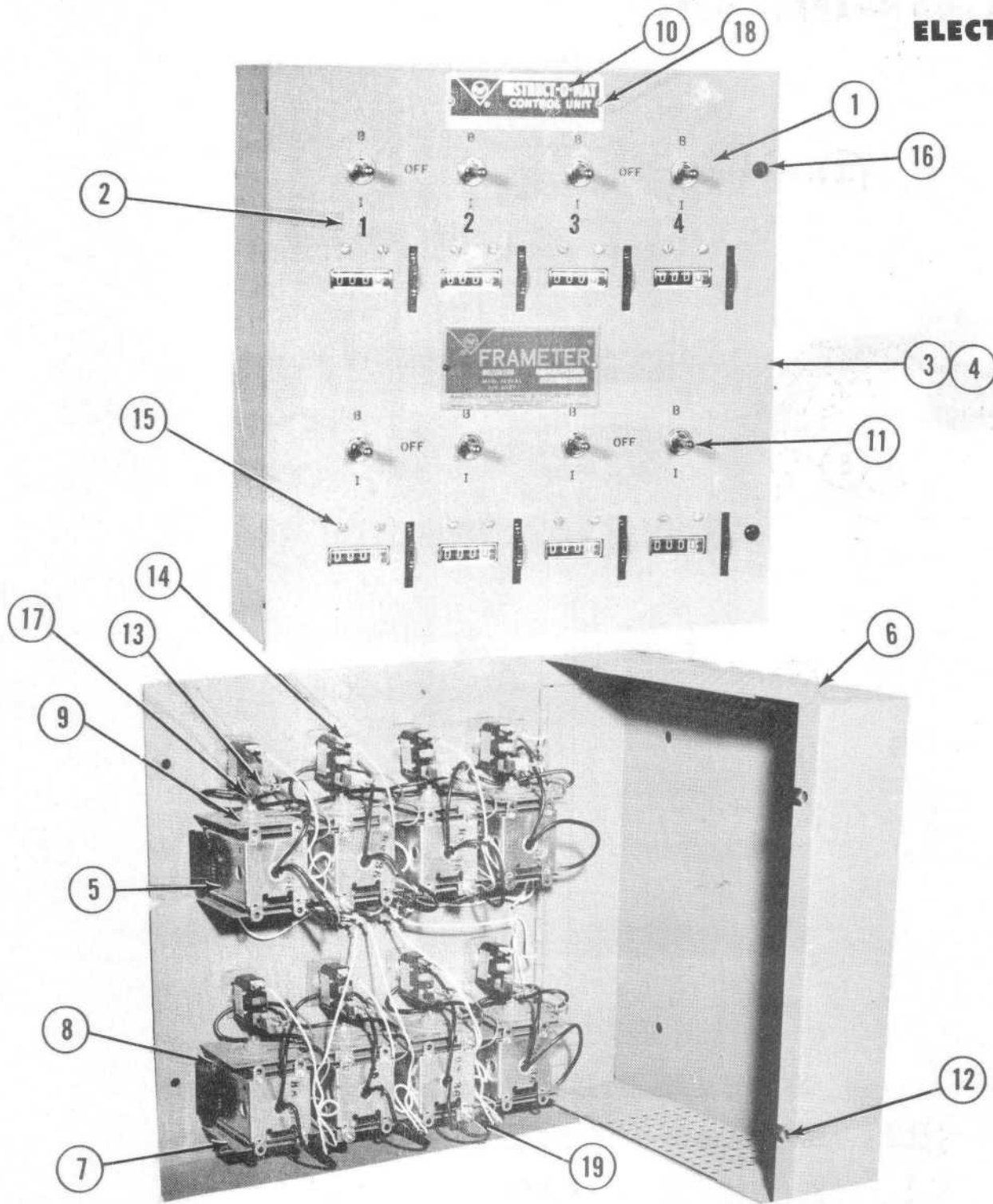


PIT SIGNAL SYSTEM

| <u>ITEM</u> | <u>PART NO.</u> | <u>DESCRIPTION</u> | <u>ITEM</u> | <u>PART NO.</u> | <u>DESCRIPTION</u> |
|-------------|-----------------|-----------------------------------|-------------|-----------------|--|
| 1 | 030 004 845 | CONDUIT | 17 b | 744 101 021 | CLAMP BACK |
| 2 | 030 006 131 | FLEX CONDUIT | 18 b | 744 104 005 | STRAP (NOT SHOWN) |
| 3 | 000 023 700 | SIGNAL BELL | 19 b | 746 001 015 | CABLE CONNECTOR |
| 4 | 000 024 695 | SOCKET | 20 | 770 006 006 | LAMP GUARD |
| 5 | 000 024 803 | COVER | 21 | 770 012 012 | UNILET |
| 6 b | 000 024 804 | BARRIER, INSULATOR (NOT SHOWN) | 22 b | 808 533 120 | SCREW, BUTTON HD. SOCKET 8-32 X 3/4 |
| 7 | 000 024 805 | BOX | 23 b | 810 250 200 | SCREW, SOC. HD. CAP 1/4-28 X 1 1/4 |
| 8 | 000 024 822 | DUPLEX OUTLET | 24 b | 812 827 062 | SCREW, RD. HD. 6-32 X 3/8 |
| 9 | 000 024 823 | MOMENTARY SWITCH | 25 b | 840 027 002 | LOCKNUT 6-32 |
| 10 b | 000 026 508 | RECTIFIER | 26 b | 840 050 002 | LOCKNUT 1/4-28 |
| 11 | 000 026 509 | RELAY (NOT SHOWN) | 27 b | 843 133 002 | KEPINUT 8-32 |
| 12 | 000 026 514 | TRANSFORMER (NOT SHOWN) | 28 b | 948 631 062 | PLAIN WASHER 5/32 X 3/8 X .046 |
| 13 | 000 026 515 | BELL RELAY (NOT SHOWN) | | | |
| 14 b | 000 026 837 | CAPACITOR | | | |
| 15 b | 741 510/200 | BUSHING, ANTI SHORT | | | |
| 16 b | 744 101 020 | CLAMP | | | |

b REFER TO PRICE LIST FOR MINIMUM ORDER QUANTITY AND PRICE.

ELECTRICAL

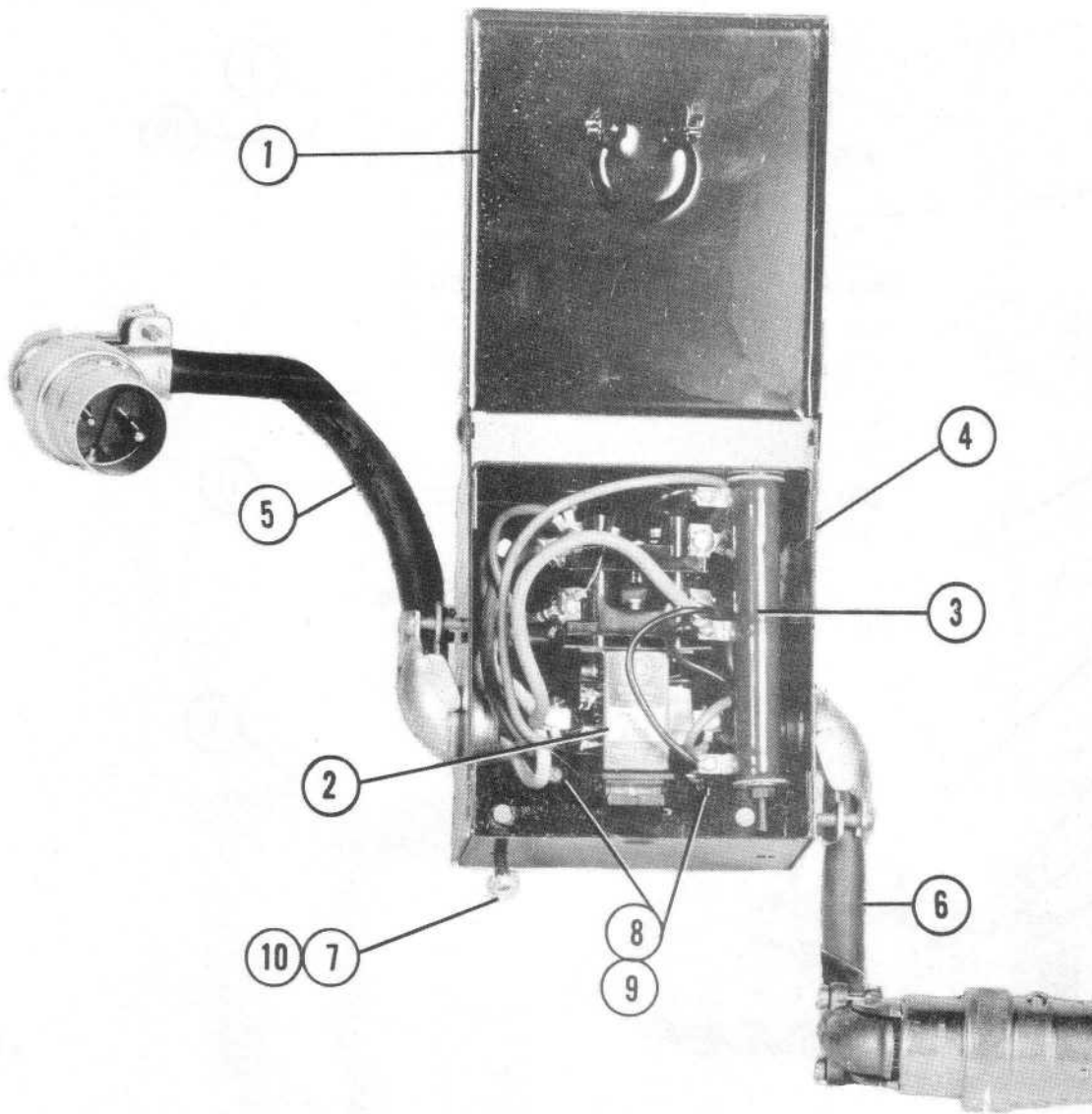


FRAMETER - INSTRUCT-O-MAT

| ITEM | PART NO. | DESCRIPTION | ITEM | PART NO. | DESCRIPTION |
|------|-------------|------------------------------------|------|-------------|-------------------------------|
| 1 | 030 006 839 | SWITCH PLATE | 12 b | 724 508 046 | SPEED NUT |
| 2 | 000 024 953 | NUMBER STRIP (SPECIFY LANE NUMBER) | 13 b | 760 001 070 | TERMINAL ADAPTER |
| 3 | 000 025 315 | CONTROL UNIT (6 LANES) | 14 b | 760 600 002 | TERMINAL |
| 4 | 000 025 320 | CONTROL UNIT (8 LANES) | 15 b | 808 521 060 | SCREW, BUTTON HD. 4-40 X 3/8 |
| 5 | 000 026 165 | COUNTER | 16 b | 808 539 060 | SCREW, BUTTON HD. 10-24 X 3/8 |
| 6 | 000 026 170 | BOX WELDMENT | 17 b | 811 927 102 | SCREW, FL. HD. 6-32 X 5/8 |
| 7 | 000 026 827 | WELDMENT LOWER | 18 | 829 905 082 | DRIVE SCREW #0 X 1/4 |
| 8 | 000 026 828 | WELDMENT UPPER | 19 | 843 127 002 | KEP NUT 6-32 |
| 9 b | 000 026 830 | RECTIFIER | | | |
| 10 | 000 027 179 | NAME PLATE | | | |
| 11 | 000 028 078 | TOGGLE SWITCH | | | |

b REFER TO PRICE LIST FOR MINIMUM ORDER QUANTITY AND PRICE.

MOTOR CONVERSION BOX

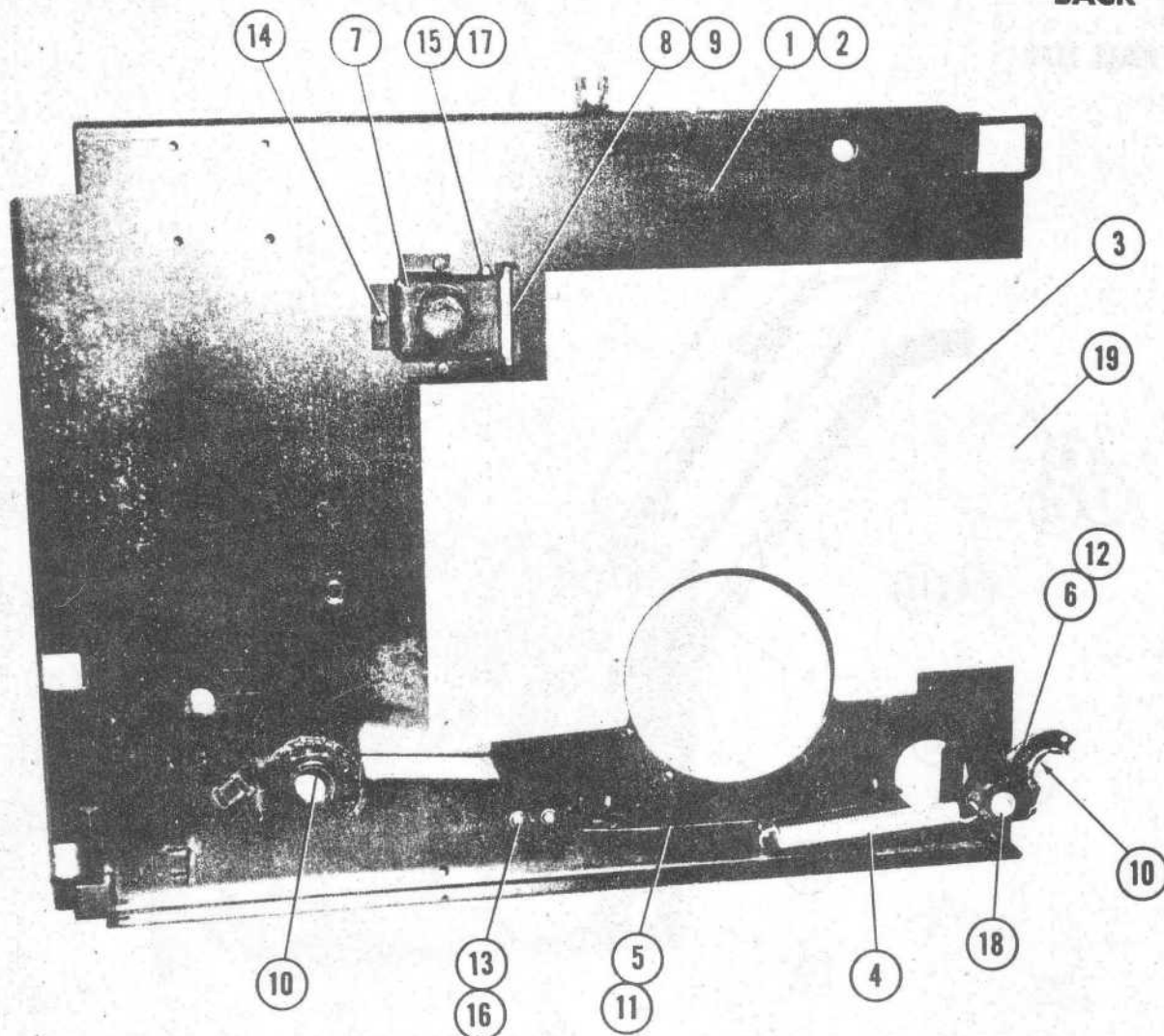


CONVERSION BOX ASSY.

MECHANICAL TO REGENERATIVE BRAKE MOTORS

| <u>ITEM</u> | <u>PART NO.</u> | <u>DESCRIPTION</u> |
|-------------|-----------------|---------------------------------|
| 1 | 030 006 780 | CABINET |
| 2 | 030 006 785 | A. B. RELAY |
| 3 | 030 007 754 | RESISTOR |
| 4 | 030 007 851 | CONVERSION BOX ASSY. |
| 5 | 030 007 855 | 4 COND. CABLE ASSY. |
| 6 | 030 007 856 | 2 COND. CABLE ASSY. |
| 7 b | 810 240 080 | SCREW, SOC. HD. CAP 10-32 X 1/2 |
| 8 b | 812 833 082 | SCREW, RD. HD. MACH. 8-32 X 1/2 |
| 9 b | 843 133 002 | LOCK NUT 8-32 |
| 10 b | 843 140 002 | LOCK NUT 10-32 |

b REFER TO PRICE LIST FOR MINIMUM ORDER QUANTITY AND PRICE.

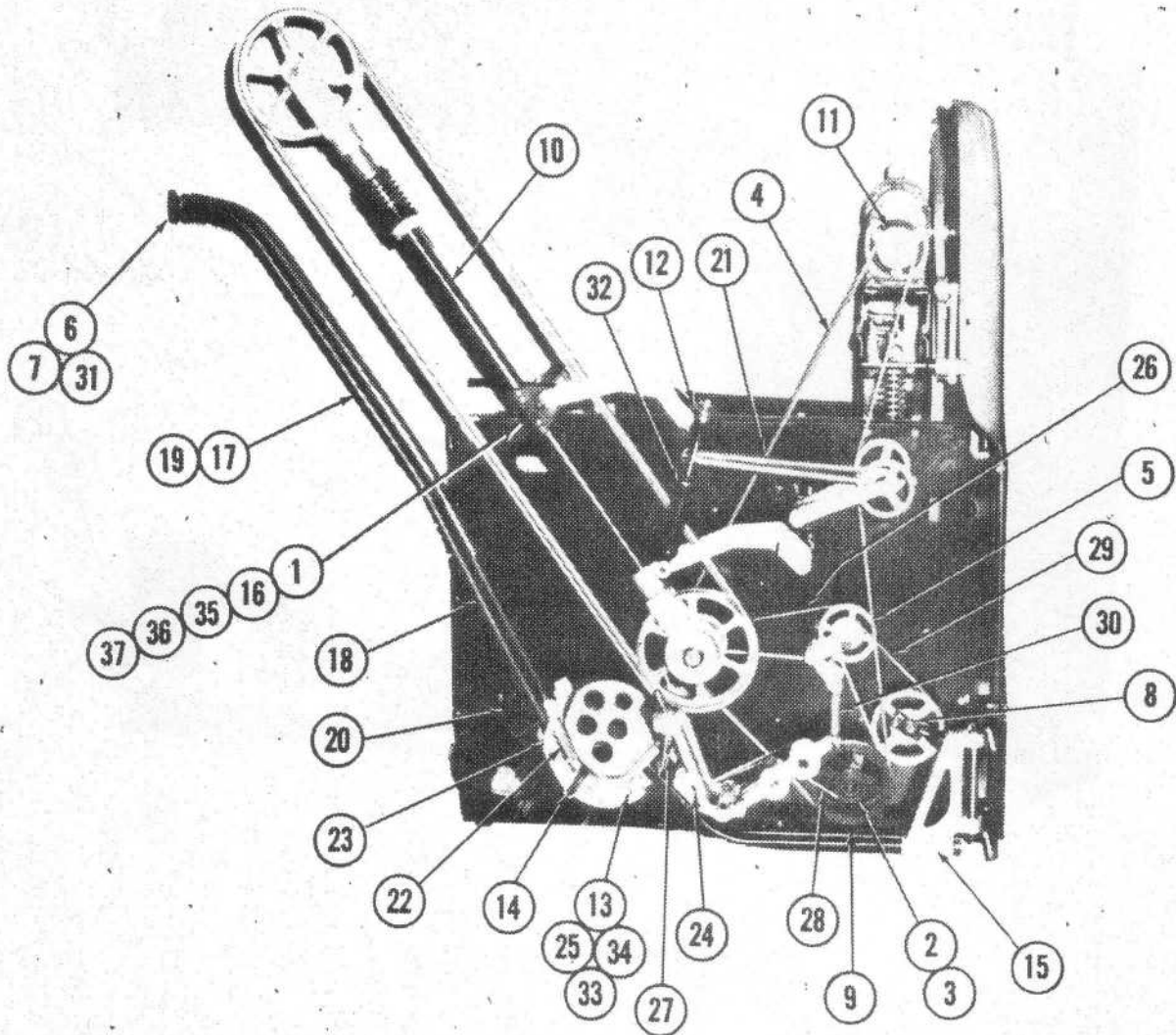


KICKBACK PLATE ASSY.

| <u>ITEM</u> | <u>PART NO.</u> | <u>DESCRIPTION</u> | <u>ITEM</u> | <u>PART NO.</u> | <u>DESCRIPTION</u> |
|-------------|-----------------|---|-------------|-----------------|---------------------------------|
| 1 | 030 008 653 | PLATE WELD. R.H., R.H. MACH. | 12 | 000 029 672 | BEARING SUPPORT, R.H. MACH |
| 2 | 030 008 659 | PLATE WELD. L.H., L.H. MACH. | 13 b | 809 857 125 | SCREW, HEX HD. 5/16-18 X 3/4 |
| 3 | 030 008 660 | PANEL KICKBACK | 14 b | 809 865 125 | SCREW, HEX HD. 3/8-16 X 3/4 |
| 4 | 000 021 204 | SPRING | 15 | 809 865 645 | SCREW, HEX HD. 3/8-16 X 1/4 |
| 5 | 000 022 069 | BRACKET, PIT SUPPORT (BALL DOOR SIDE) | 16 | 844 057 002 | LOCKNUT 5/16-18 |
| 6 | 000 022 249 | BEARING SUPPORT, L.H. MACH. | 17 b | 844 065 002 | LOCKNUT 3/8-16 |
| 7 | 000 022 788 | BOX | 18 | 919 005 800 | RETAINER RING |
| 8 | 000 022 794 | BLOCK, R.H. | 19 | 937 100 000 | DRIVE RIVET |
| 9 | 000 022 795 | BLOCK, L.H. | | | |
| 10 b | 000 022 924 | SUPPORT, BEARING | | | |
| 11 | 000 029 627 | BRACKET, PIT SUPPORT (OPPOSITE KICKBACK) | | | |

b REFER TO PRICE LIST FOR MINIMUM ORDER QUANTITY AND PRICE.

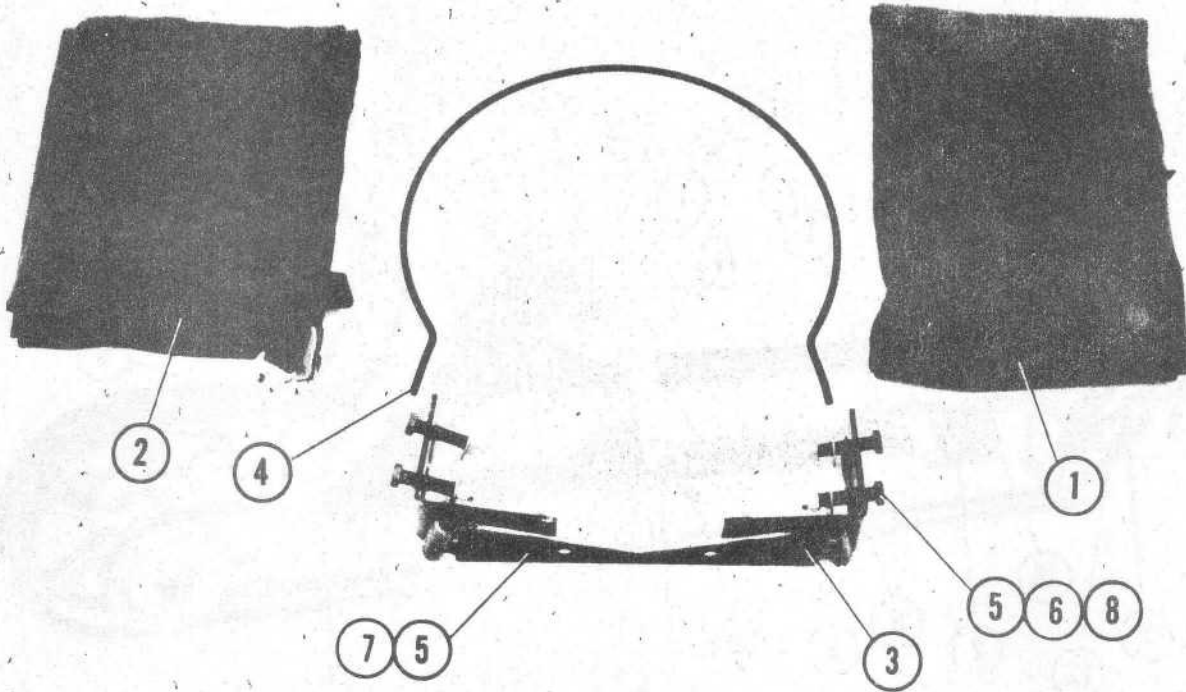
BALL LIFT



BALL RETURN ASSEMBLY

| ITEM | PART NO. | DESCRIPTION | ITEM | PART NO. | DESCRIPTION |
|------|-------------|----------------------|------|-------------|--|
| 1 | 030 008 661 | BRACKET | 20 | 000 024 668 | TRACK BRACKET |
| 2 | 030 008 666 | STUB SHAFT WELD. | 21 | 000 024 673 | SPRING |
| 3 | 030 008 670 | PULLEY | 22 | 000 024 677 | STARTER PAD ASSY. |
| 4 | 030 008 671 | V-BELT 13 1/4" Lg. | 23 | 000 024 678 | FILLER ASSY., FRONT |
| 5 | 030 008 674 | BELT TENSIONER ASSY. | 24 | 000 024 680 | BALL KICKER ASSY. |
| 6 | 030 008 680 | ANGLE BRACKET L.H. | 25 | 000 024 745 | NUT PLATE ASSY. |
| 7 | 030 008 681 | ANGLE BRACKET R.H. | 26 b | 000 027 710 | V-BELT 36" |
| 8 | 030 008 686 | PULLEY & CRANK ASSY. | 27 b | 000 028 362 | BUMPER |
| 9 | 030 008 735 | SHEAVE | 28 b | 000 028 864 | V-BELT |
| 10 | 030 008 778 | BALL ELEVATOR ASSY. | 29 b | 000 029 600 | V-BELT 33 1/2" |
| 11 | 000 022 172 | SHEAVE | 30 b | 000 029 601 | SPRING |
| 12 | 000 024 610 | CLAMP STUD | 31 | 000 029 629 | DOWNSWEEP TRACK |
| 13 | 000 024 618 | NUT ASSY- | 32 | 000 029 661 | SHOCK ABSORBER |
| 14 | 000 024 628 | PAD | 33 | 000 029 959 | FILLER PAD ASSY. |
| 15 | 000 024 638 | RUDDER ARM ASSY. | 34 b | 808 857 240 | SCREW, FL. HD. SOO. 5/16-18 X 1 1/2 |
| 16 | 000 024 641 | STOP BUMPER | 35 b | 809 857 125 | SCREW, HEX HD. CAP 5/16-18 X 3/4 |
| 17 | 000 024 663 | TRACK COVER, UPPER | 36 b | 831 558 002 | NUT, FINISHED HEX 5/16-2 |
| 18 | 000 024 664 | TRACK COVER, LOWER | 37 b | 844 057 002 | NUT 5/16-18 |
| 19 | 000 024 666 | TRACK WELDMENT | | | |

b REFER TO PRICE LIST FOR MINIMUM ORDER QUANTITY AND PRICE.

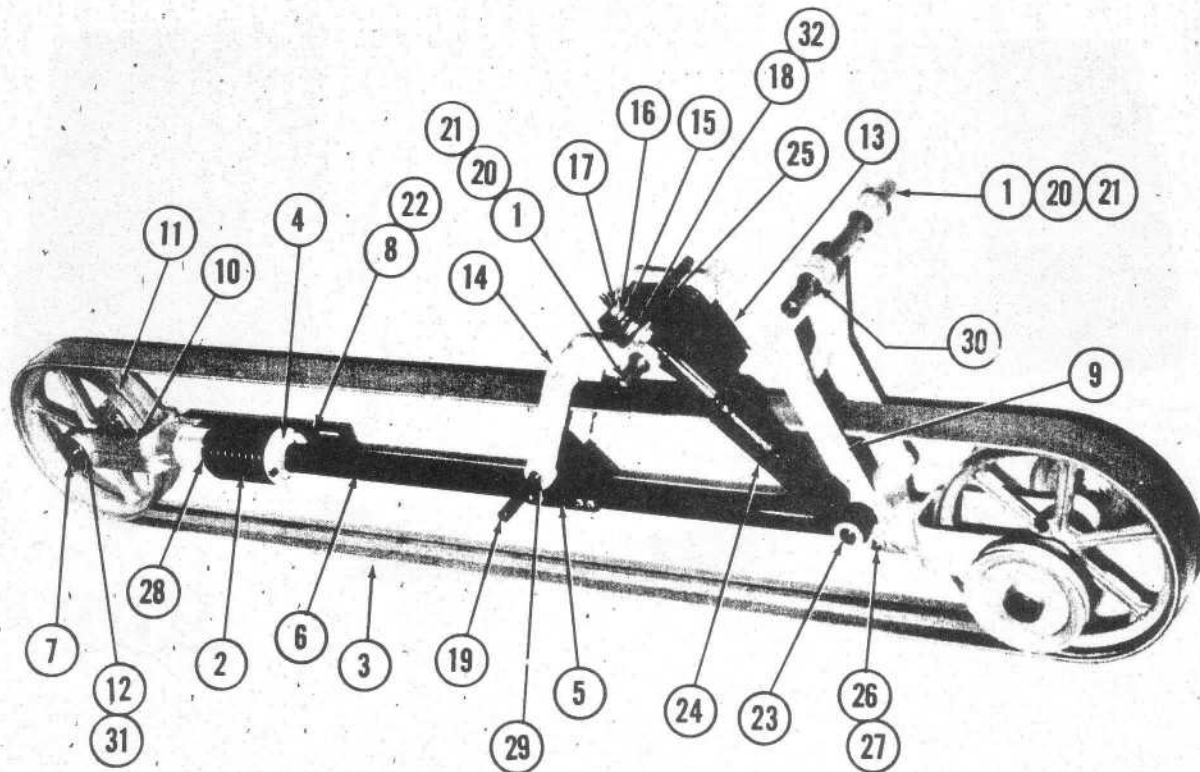


BALL WIPER CLOTH & HARDWARE

| <u>ITEM</u> | <u>PART NO.</u> | <u>DESCRIPTION</u> |
|-------------|-----------------|------------------------------------|
| 1 b | 070 004 669 | WIPER, BALL RETURN |
| 2 | 070 004 670 | DUST TRAP, BALL RETURN |
| 3 | 000 021 813 | SUPPORT, WIPER |
| 4 b | 000 021 814 | RING, WIPER |
| 5 b | 809 865 165 | SCREW, HEX HD. CAP 3/8- 16 X 1 |
| 6 b | 809 865 285 | SCREW, HEX HD. CAP 3/8- 16 X 1 3/4 |
| 7 b | 844 057 002 | LOCK NUT 5/16-18 |
| 8 | 948 767 132 | WASHER 13/32 X 13/16 X 1/16 |

b. REFER TO PRICE LIST FOR MINIMUM ORDER QUANTITY AND PRICE.

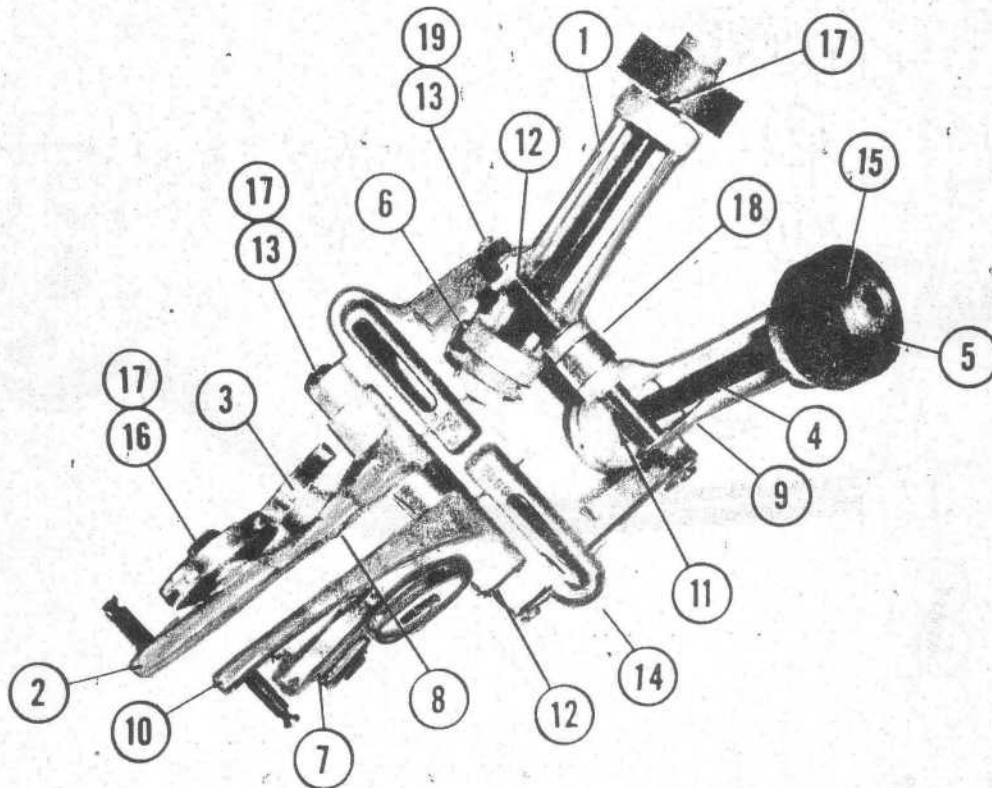
BALL LIFT



BALL LIFT ASSEMBLY

| ITEM | PART NO. | DESCRIPTION | ITEM | PART NO. | DESCRIPTION |
|------|-------------|----------------------------------|-------------|-----------------------------------|-------------------------------------|
| 1 | 000 021 435 | SHAFT (12 5/8" TO 14" SPACING) | 19 | 000 028 737 | SHAFT, PIVOT |
| | 070 006 330 | SHAFT (SPLIT TYPE) 12 5/8 TO 14" | 20 | 000 029 603 | SHAFT 1 1/2" TO 11" |
| | 070 006 333 | SHAFT (SPLIT TYPE) 12 5/8 TO 14" | 070 006 320 | SHAFT (SPLIT TYPE) 9 1/2" TO 11" | |
| 2 | 000 024 603 | SPRING | 070 006 325 | SHAFT (SPLIT TYPE) 9 1/2" TO 11" | |
| 3 | 000 024 604 | BELT | 21 | 000 029 604 | SHAFT 11" TO 12 5/8" |
| 4 | 000 024 605 | LOWER RETAINER | 070 006 328 | SHAFT (SPLIT TYPE) 11" TO 12 5/8" | |
| 5 | 000 024 606 | SUPPORT | 070 006 329 | SHAFT (SPLIT TYPE) 11" TO 12 5/8" | |
| 6 | 000 024 607 | TUBE | 22 | 000 029 613 | RAIL |
| 7 | 000 024 645 | SHAFT | 23 b | 000 029 660 | SHAFT |
| 8 | 000 024 650 | ROLLER ASSY. | 24 | 000 029 661 | SHOCK ABSORBER |
| 9 | 000 024 651 | LINK ASSY. | 25 | 000 029 662 | BRACKET, SHOCK MTG. |
| 10 | 000 024 660 | YOKE, UPPER | 26 b | 809 865 445 | SCREW, HEX HD. CAP 3/8-16 X 2 3/4 |
| 11 | 000 024 661 | PULLEY | 27 b | 844 065 002 | LOCKNUT 3/8-16 |
| 12 | 000 024 683 | BEARING | 28 | 845 100 000 | LOCKNUT N-10 |
| 13 | 000 024 716 | SPRING HOLDER | 29 b | 900 110 121 | BEARING, SLEEVE |
| 14 | 000 024 720 | LINK ASSY. UPPER | 30 b | 900 112 161 | BEARING, SLEEVE |
| 15 | 000 027 996 | CUSHION | 31 b | 919 005 800 | RETAINER RING |
| 16 b | 000 027 998 | RETAINER | 32 b | 948 983 212 | WASHER, PLAIN 21/32 X 1 5/16 X 3/32 |
| 17 b | 000 028 002 | HEX NUT | | | |
| 18 b | 000 028 057 | RETAINER | | | |

b REFER TO PRICE LIST FOR MINIMUM ORDER QUANTITY AND PRICE.

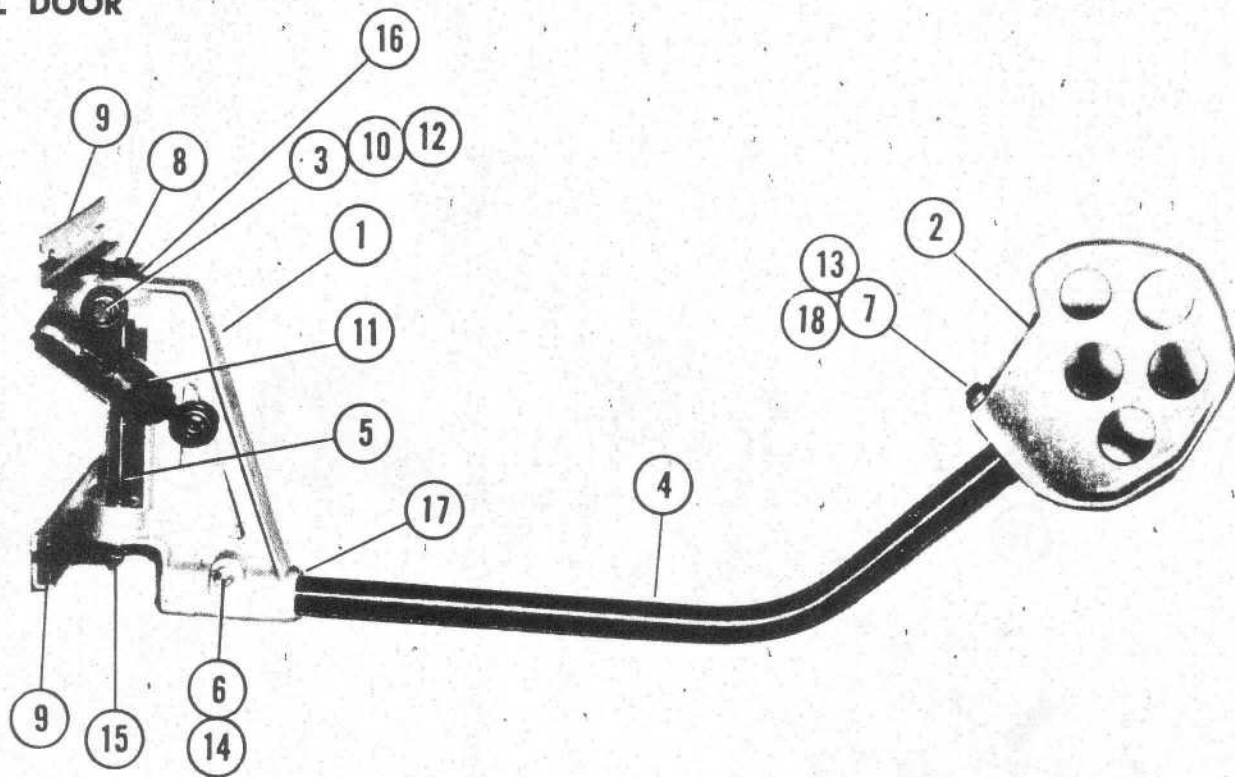


BALL KICKER ASSY.

| <u>ITEM</u> | <u>PART NO.</u> | <u>DESCRIPTION</u> |
|-------------|-----------------|--|
| 1 | 000 021 406 | ROLLER BRACKET ASSY., R.H. |
| 2 | 000 021 407 | IDLER ARM ASSY., R.H. |
| 3 | 000 021 417 | IDLER ROLLER ASSY. |
| 4 | 000 022 077 | SHAFT |
| 5 | 000 022 080 | ROLLER |
| 6 | 000 022 082 | PULLEY |
| 7 | 000 022 096 | IDLER ASSY. |
| 8 b | 000 022 173 | NUT, SPECIAL |
| 9 | 000 022 217 | ROLLER BRACKET ASSY., L.H. |
| 10 | 000 022 218 | IDLER ARM ASSY., L.H. |
| 11 | 000 024 679 | BEARING |
| 12 b | 000 025 621 | SLEEVE BEARING |
| 13 | 000 029 610 | SHAFT |
| 14 | 000 029 638 | ROLLER BASE |
| 15 | 806 357 080 | SET SCREW, SQ. HD. FL. PT. 5/16-18 X 1/2 |
| 16 b | 809 849 145 | SCREW, HEX HD. CAP 1/4-20 7/8 |
| 17 b | 919 005 600 | RETAINER RING |
| 18 b | 948 975 172 | WASHER 1 1/16 X 17/32 X 3/32 |
| 19 b | 963 600 002 | X WASHER |

b REFER TO PRICE LIST FOR MINIMUM ORDER QUANTITY AND PRICE.

BALL DOOR

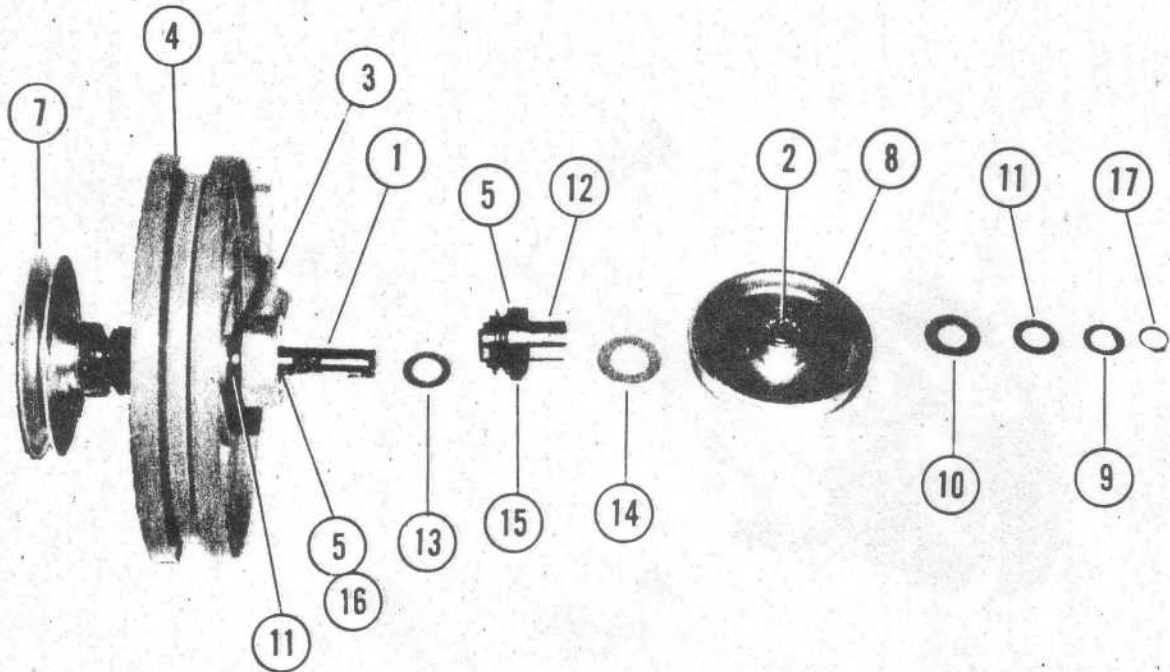


RUDDER ARM ASSY.

| <u>ITEM</u> | <u>PART NO.</u> | <u>DESCRIPTION</u> |
|-------------|-----------------|-----------------------------------|
| 1 | 070 004 637 | RUDDER ARM SUPPORT ASSY. |
| 2 | 070 007 275 | PADDLE |
| 3 | 070 007 285 | SPACER |
| 4 | 000 024 614 | RUDDER ARM |
| 5 | 000 024 615 | SHAFT |
| 6 | 000 024 616 | CLAMP STUD |
| 7 | 000 024 622 | PLUG (NOT SHOWN) |
| 8 | 000 024 682 | SCREW |
| 9 | 000 024 743 | RUDDER ARM BRACKET |
| 10 | b 000 029 611 | WASHER (2 REQ.) |
| 11 | 000 029 671 | DRIVE LINK ASSY. |
| 12 | b 809 865 245 | SCREW, HEX HD. CAP 3/8-16 X 1 1/2 |
| 13 | b 809 865 405 | SCREW, HEX HD. CAP 3/8-16 X 2 1/2 |
| 14 | b 835 573 002 | HEX NUT 1/2-13 |
| 15 | b 844 065 002 | LOCK NUT 3/8-16 |
| 16 | b 900 212 201 | BEARING |
| 17 | b 907 000 900 | KEY |
| 18 | b 951 164 002 | LOCK WASHER 3/8 |

b REFER TO PRICE LIST FOR MINIMUM ORDER QUANTITY AND PRICE.

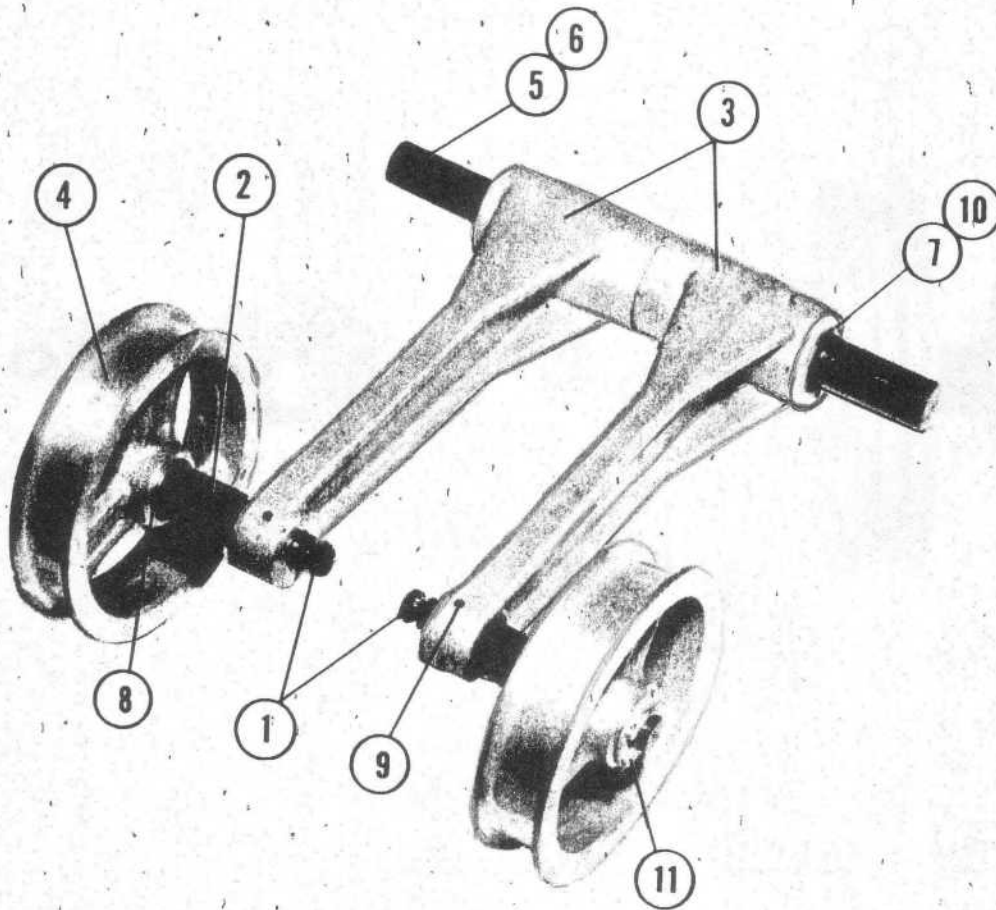
BALL LIFT



BALL LIFT ASSEMBLY

| ITEM | PART NO. | DESCRIPTION |
|------|-------------|----------------------------------|
| 1 | 030 008 780 | SHAFT |
| 2 | 070 007 291 | CLUTCH BEARING |
| 3 | 000 024 659 | YOKE, LOWER |
| 4 | 000 024 661 | PULLEY |
| 5 | 000 024 683 | BEARING |
| 6 | 000 024 806 | SHEAVE |
| 7 | 000 024 811 | PULLEY ASSY. (5" DIA.) |
| 7A | 000 028 772 | PULLEY ASSY. (4 1/4" DIA.) |
| 8 | 000 024 812 | PULLEY ASSY. (5" DIA.) |
| 8A | 000 028 772 | PULLEY ASSY. (4 1/4" DIA.) |
| 9 b | 000 028 774 | WASHER, SPECIAL |
| 10 b | 000 028 779 | THRUST WASHER |
| 11 b | 000 029 665 | WASHER |
| 12 | 000 029 683 | CLUTCH RACE |
| 13 | 000 029 684 | THRUST BEARING |
| 14 | 000 029 685 | THRUST BEARING |
| 15 b | 807 265 080 | SET SCREW, SOC. Hd. 3/8-16 X 1/2 |
| 16 b | 919 000 900 | RETAINER RING |
| 17 b | 919 005 800 | RETAINER RING |

b REFER TO PRICE LIST FOR MINIMUM ORDER QUANTITY AND PRICE.

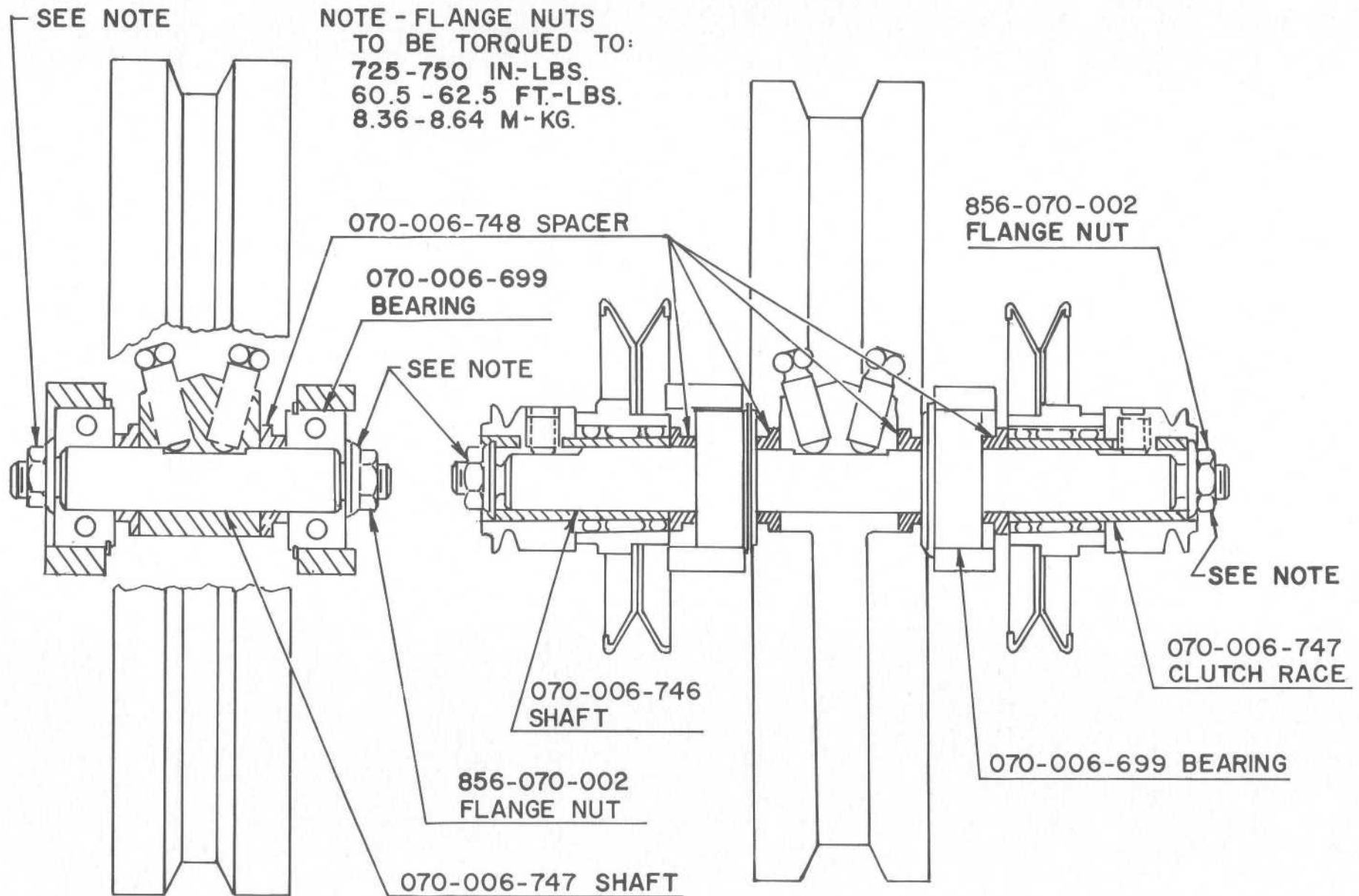


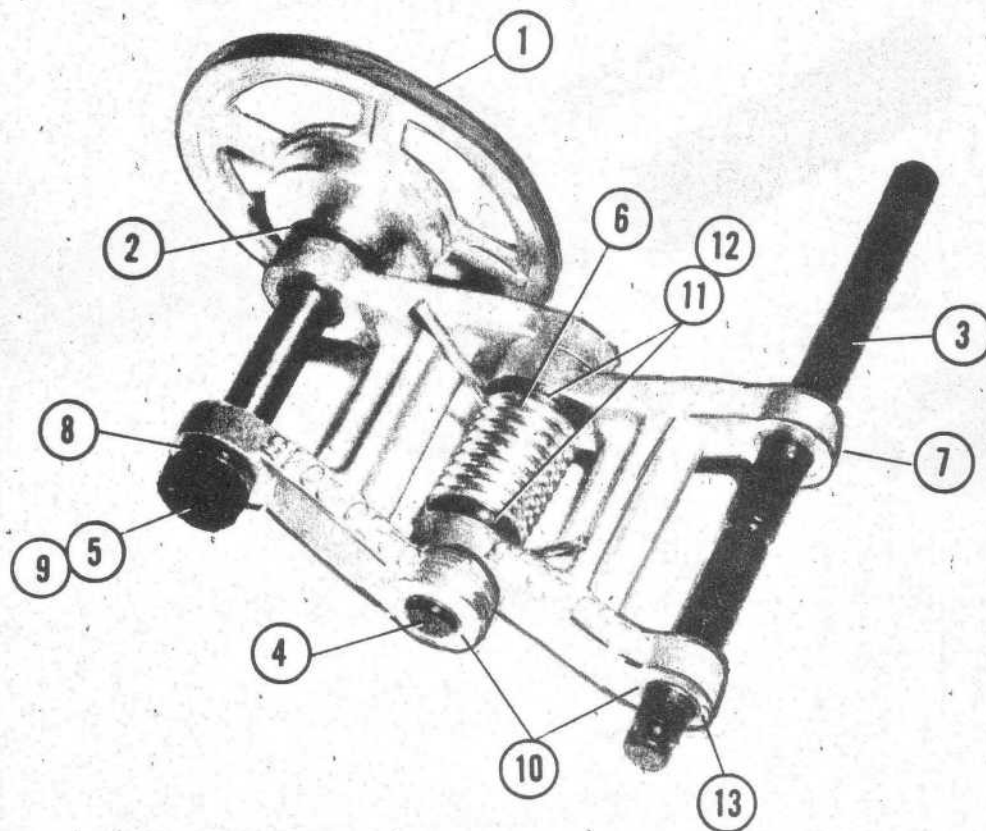
BELT TIGHTENER ASSY.

| <u>ITEM</u> | <u>PART NO.</u> | <u>DESCRIPTION</u> |
|-------------|-----------------|----------------------------------|
| 1 | 030 008 664 | SHAFT, IDLER |
| 2 | 030 008 665 | SPACER, IDLER |
| 3 | 030 008 682 | ARM ASSY. |
| 4 | 000 021 408 | PULLEY ASSY. |
| 5 | 000 029 603 | SHAFT (9 1/2" TO 11" SPACING) |
| 6 | 000 029 604 | SHAFT (11" TO 13 1/8" SPACING) |
| 7 b | 900 112 121 | BEARING, SLEEVE |
| 8 b | 900 208 161 | BEARING |
| 9 b | 913 423 200 | ROLL PIN .125 X 1 1/4 |
| 10 b | 919 005 800 | RETAINER RING |
| 11 b | 963 600 002 | X WASHER |

b REFER TO PRICE LIST FOR MINIMUM ORDER QUANTITY AND PRICE.

784-509-014 KIT, CLUTCH CONVERSION



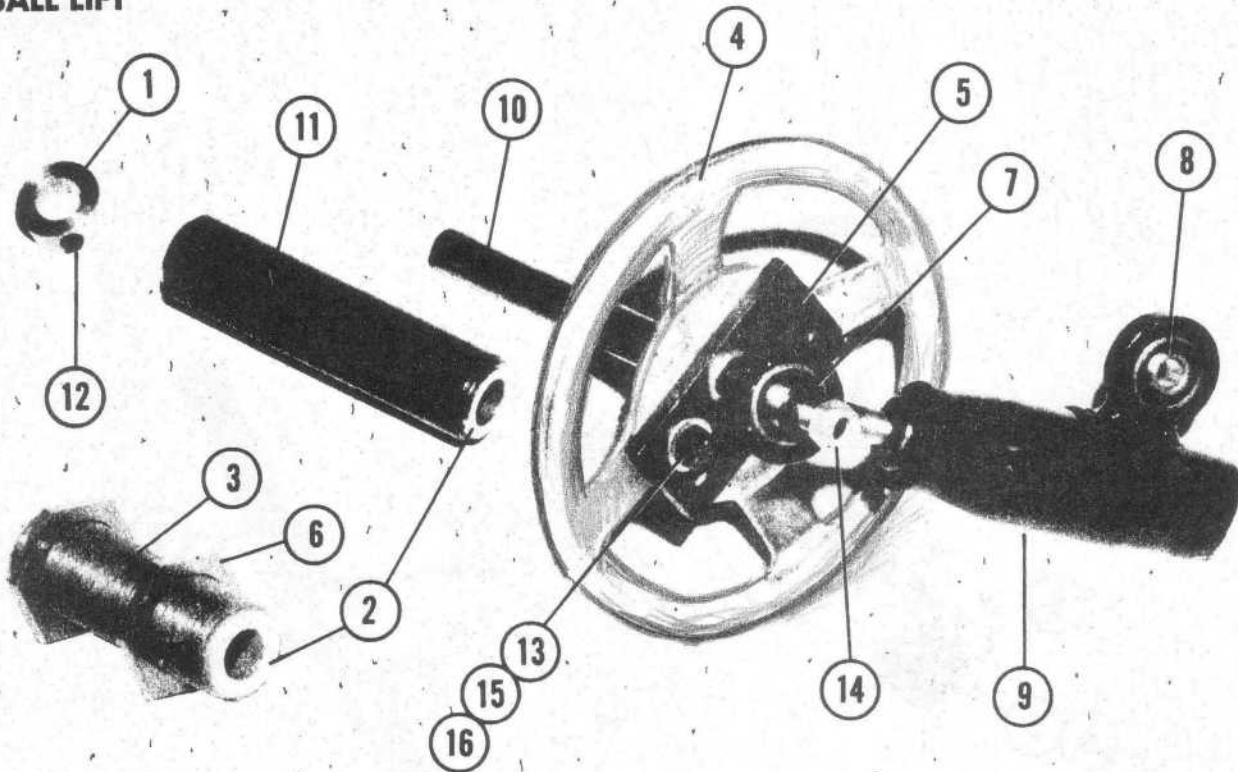


030 008 674 BELT TENSIONER ASSY.

| <u>ITEM</u> | <u>PART NO.</u> | <u>DESCRIPTION</u> |
|-------------|-----------------|--------------------|
| 1 | 030 008 689 | SHEAVE |
| 2 b | 000 027 264 | WASHER |
| 3 | 000 029 605 | PIVOT SHAFT |
| 4 | 000 029 606 | PIVOT SHAFT, SHORT |
| 5 | 000 029 608 | SHAFT |
| 6 | 000 029 609 | SPRING |
| 7 | 000 029 659 | ARM, HANGER ASSY. |
| 8 b | 701 320 045 | THRUST BEARING |
| 9 b | 844 073 002 | LOCK NUT 1/2-13 |
| 10 b | 900 110 081 | BEARING |
| 11 b | 900 110 141 | BEARING |
| 12 b | 900 110 161 | BEARING |
| 13 b | 919 005 600 | RETAINER RING |

b REFER TO PRICE LIST FOR MINIMUM ORDER QUANTITY AND PRICE.

BALL LIFT

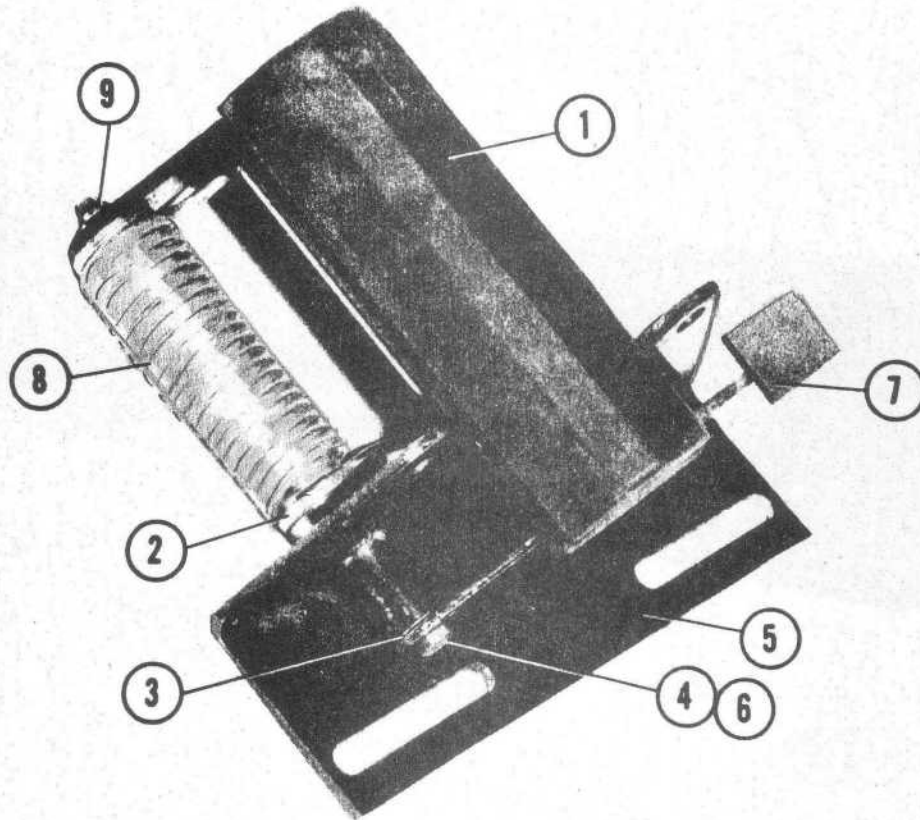


000 029 710 CRANK & SHEAVE ASSY.

| <u>ITEM</u> | <u>PART NO.</u> | <u>DESCRIPTION</u> |
|-------------|-----------------|------------------------------------|
| 1 b | 000 021 423 | COLLAR |
| 2 | 000 021 427 | BEARING, FLANGE |
| 3 | 000 021 428 | TUBE ASSY. |
| 4 | 000 022 079 | SHEAVE |
| 5 | 000 022 092 | CRANK PLATE WELDMENT |
| 6 b | 000 029 596 | LOCKING NUT |
| 7 b | 000 029 611 | WASHER |
| 8 | 000 029 614 | UNIBAL |
| 9 | 000 029 671 | DRIVE LINK ASSY. |
| 10 | 000 029 695 | CRANK SHAFT WELDMENT |
| 11 | 000 029 696 | TUBE ASSY. |
| 12 b | 807 249 040 | SET SCREW, Soc. Hd. 1/4-20 X 1/4 |
| 13 b | 809 857 205 | SCREW, HEX Hd. CAP 5/16-18 X 1 1/4 |
| 14 b | 844 057 002 | NUT SELF LOCKING 5/16-18 |
| 15 b | 844 065 002 | NUT SELF LOCKING 3/8-16 |
| 16 b | 948 753 102 | WASHER, PLAIN 9/32 X 5/8 X 1/16 |

b REFER TO PRICE LIST FOR MINIMUM ORDER QUANTITY AND PRICE.

REV. 1-'71

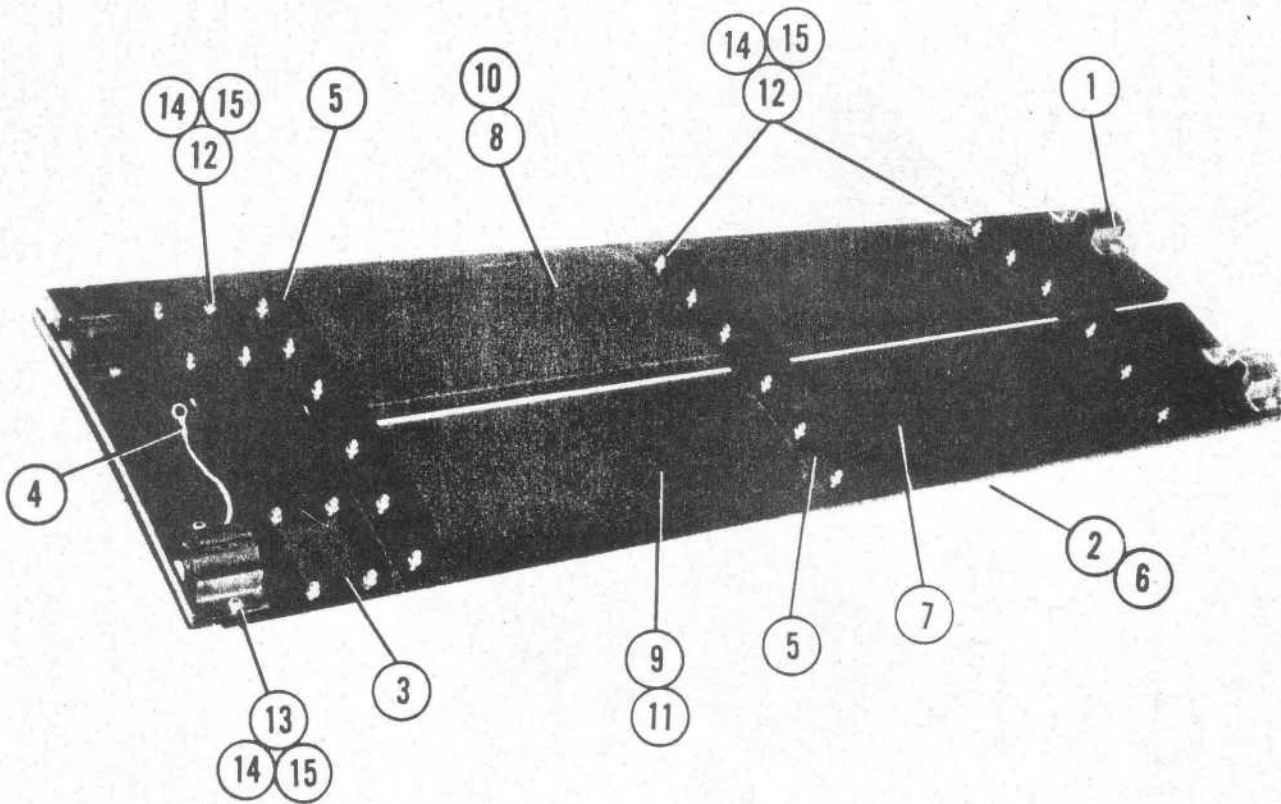


000 024 677 STARTER PAD ASSY.

| <u>ITEM</u> | <u>PART NO.</u> | <u>DESCRIPTION</u> |
|-------------|-----------------|---------------------------|
| 1 | 000 024 612 | STARTER PAD |
| 2 | 000 024 631 | BEARING, FLANGE |
| 3 | 000 024 632 | BEARING |
| 4 | 000 024 634 | SHAFT |
| 5 | 000 024 676 | LOWER TRACK BRACKET |
| 6 | 000 024 681 | SCREW, HEX HD. CAP |
| 7 | 000 024 718 | STARTER PAD BRACKET ASSY. |
| 8 b | 000 029 612 | TORSION SPRING |
| 9 b | 844 049 002 | LOCKNUT 1/4-20 |

b REFER TO PRICE LIST FOR MINIMUM ORDER QUANTITY AND PRICE.

CARPET PLATFORM

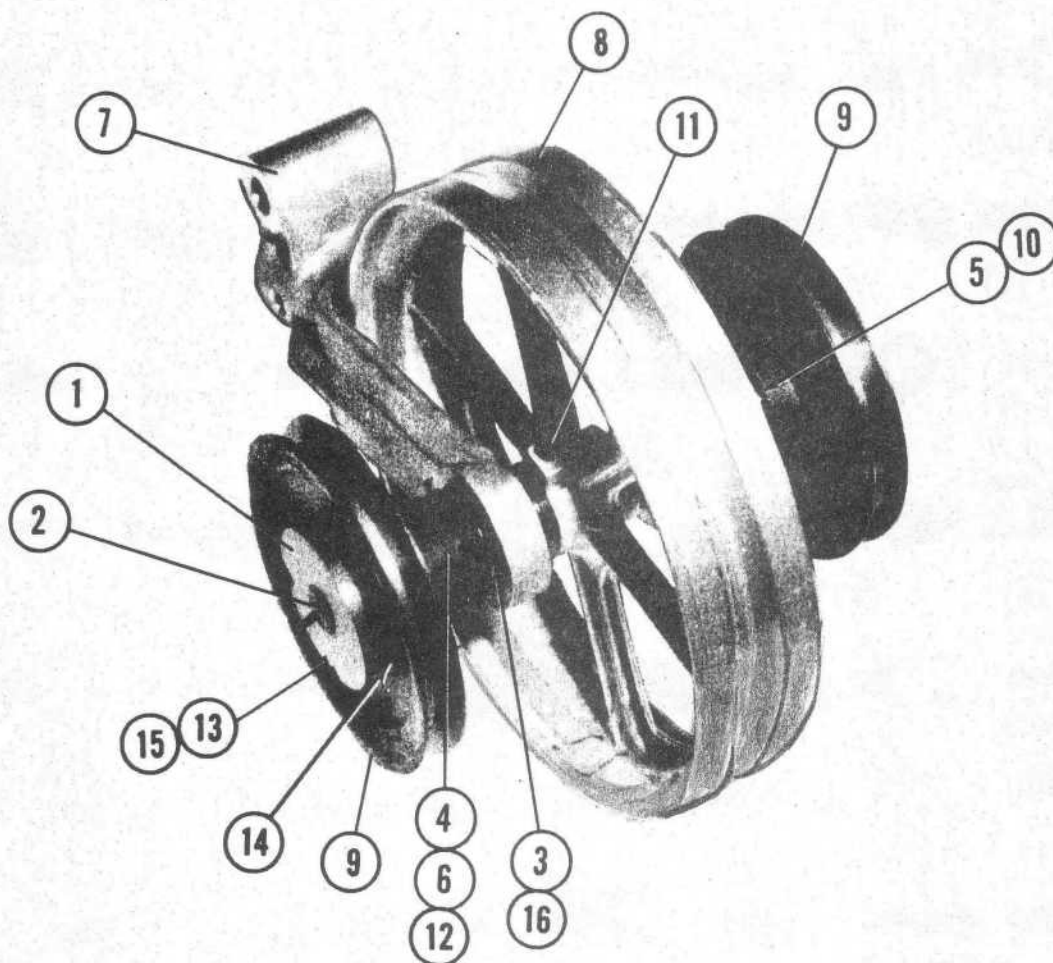


| <u>ITEM</u> | <u>PART NO.</u> | <u>DESCRIPTION</u> |
|-------------|-----------------|--|
| 1 | 000 021 224 | VIBRATION DAMPENER |
| 2 | 000 021 420 | BOUNCE PLATE ASSY. R.H. |
| 3 | 000 021 914 | CHANNEL |
| 4 | b 000 025 622 | BONDING STRAP |
| 5 | 000 029 626 | ANGLE SUPPORT |
| 6 | 000 029 656 | BOUNCE PLATE ASSY. L.H. |
| 7 | 000 029 897 | "T" BAR (NOT SHOWN) 38 $\frac{1}{2}$ " LG. |
| 8 | 000 029 899 | BOUNCE PLATE, FRONT, R.H. (NOT SHOWN) |
| 9 | 000 029 924 | BOUNCE PLATE, REAR, R.H. (NOT SHOWN) |
| 10 | 000 029 925 | BOUNCE PLATE, FRONT, L.H. |
| 11 | 000 029 926 | BOUNCE PLATE, REAR, L.H. |
| 12 | b 809 849 165 | SCREW, HEX HD. CAP 1/4-20 x 1 |
| 13 | b 809 849 205 | SCREW, HEX HD. CAP 1/4-20 x 1 1/4 |
| 14 | b 844 049 002 | LOCKNUT 1/4-20 |
| 15 | b 948 753 102 | WASHER 9/32 x 5/8 x 1/16 |

b REFER TO PRICE LIST FOR MINIMUM ORDER QUANTITY AND PRICE.

NOTE: IF ITEM 5 IS NOT USED AT THE CENTER AND LEFT SIDE AS SHOWN, ITEM 7 SHOULD BE INSTALLED.

REV. 1-'71

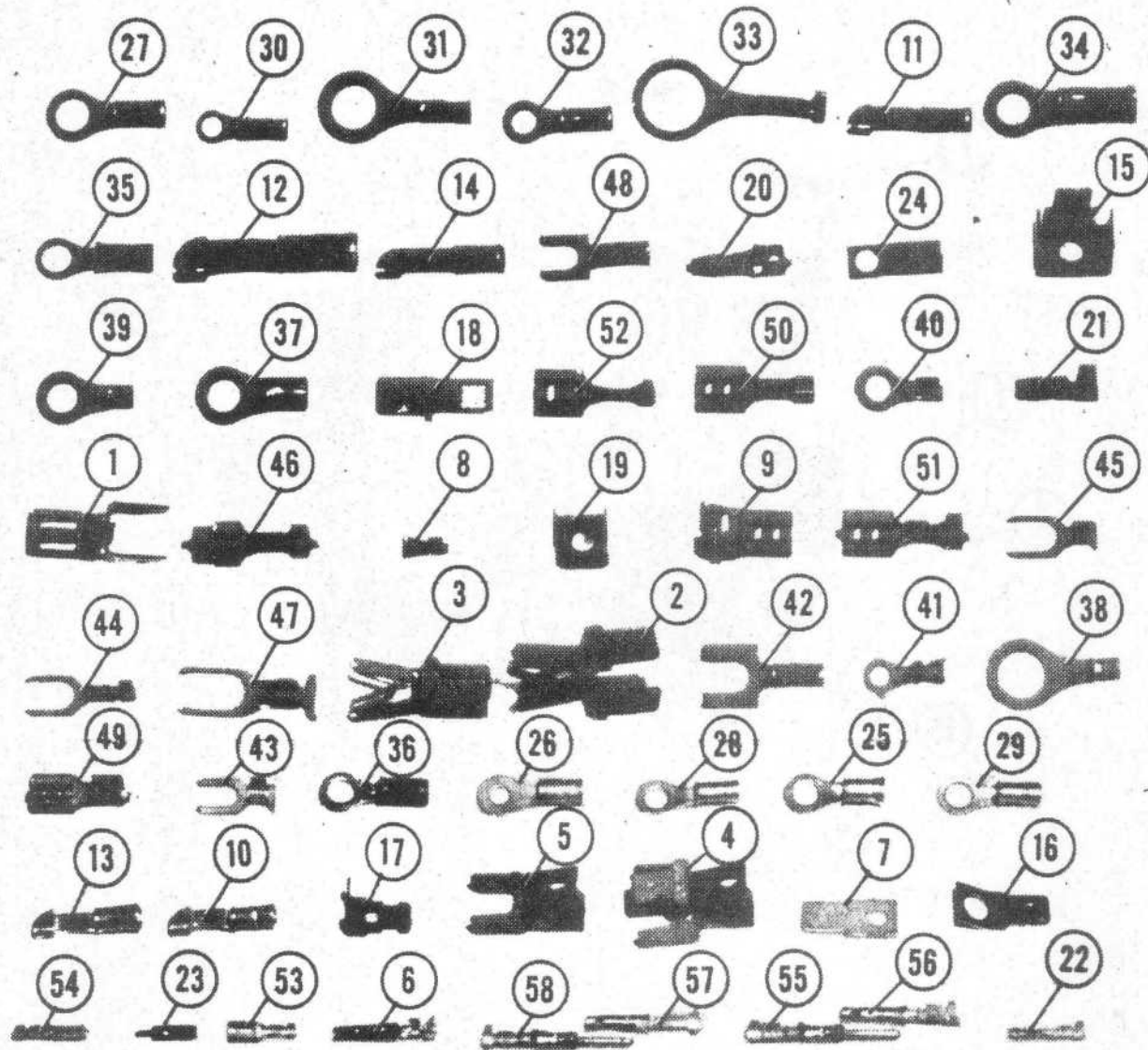


LOWER BALL LIFT ASSY.

| <u>ITEM</u> | <u>PART NO.</u> | <u>DESCRIPTION</u> |
|-------------|-----------------|------------------------------------|
| 1 | 030 003 189 | SPACER, CLUTCH |
| 2 | 030 008 776 | SHAFT, LOWER |
| 3 | b 030 008 672 | WASHER |
| 4 | 000 023 649 | SPRING, CLUTCH R.H. |
| 5 | 000 023 650 | SPRING, CLUTCH L.H. |
| 6 | 000 024 646 | SHEAVE |
| 7 | 000 024 659 | YOKE, LOWER |
| 8 | 000 024 661 | BELT PULLEY |
| 9 | 000 024 672 | SHEAVE ASSY. |
| 10 | 000 024 683 | BEARING |
| 11 | b 807 265 160 | SET SCREW, SOC. Hd. 3/8-16 X 1 |
| 12 | b 810 250 240 | SCREW, SOC. Hd. CAP 1/4-28 X 1 1/2 |
| 13 | b 839 750 002 | NUT, SELF LOCKING 1/4-28 |
| 14 | b 900 212 201 | BEARING, FLANGE |
| 15 | b 907 300 400 | KEY |
| 16 | 919 000 900 | RETAINER RING |

b REFER TO PRICE LIST FOR MINIMUM ORDER QUANTITY AND PRICE.

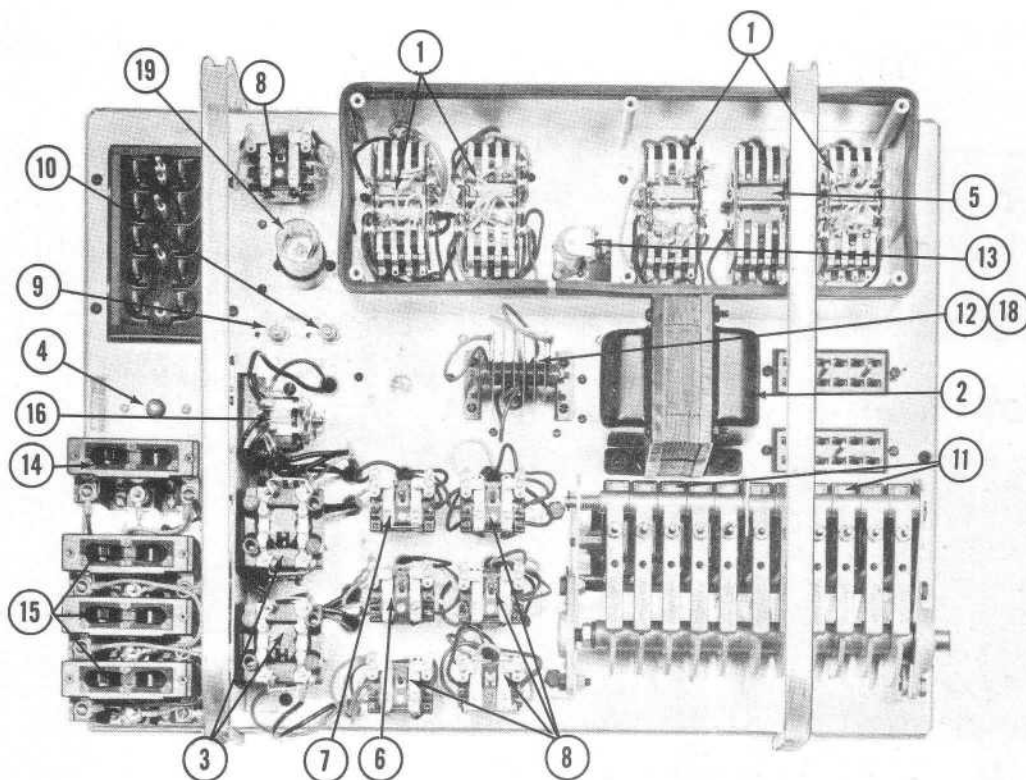
ELECTRICAL TERMINALS



| ITEM | PART NO. | DESCRIPTION | ITEM | PART NO. | DESCRIPTION |
|------|---------------|--|------|---------------|-----------------------------------|
| 1 | b 760 001 070 | TERMINAL ADAPTER | 28 | b 760 014 005 | RING TERMINAL (WIRE GA. 22-18) |
| 2 | b 760 002 061 | TERMINAL ASSY. | 29 | b 760 014 006 | RING TERMINAL (WIRE GA. 22-18) |
| 3 | b 760 002 062 | TERMINAL & CLIP | 30 | b 760 014 007 | RING TERMINAL (WIRE GA. 22-16) |
| 4 | b 760 002 063 | QUICK CONNECT TERMINAL | 31 | b 760 014 008 | RING TERMINAL (WIRE GA. 22-16) |
| 5 | b 760 002 064 | QUICK CONNECT TERMINAL | 32 | b 760 014 009 | RING TERMINAL (WIRE GA. 22-18) |
| 6 | b 760 003 069 | CONNECTOR TERMINAL | 33 | b 760 014 010 | RING TERMINAL (WIRE GA. 22-16) |
| 7 | b 760 004 001 | CONTACT TERMINAL | 34 | b 760 014 013 | RING TERMINAL (WIRE GA. 12-10) |
| 8 | b 760 004 047 | MULTI. CONTACT (WIRE GA. 18-16) | 35 | b 760 014 014 | RING TERMINAL (WIRE GA. 22-16) |
| 9 | b 760 006 042 | FASTON TERMINAL (WIRE GA. 18-12) | 36 | b 760 014 015 | RING TERMINAL (WIRE GA. 22-16) |
| 10 | b 760 007 011 | KNIFE TERMINAL (WIRE GA. 16-14) | 37 | b 760 014 021 | RING TAIL TERM. (WIRE GA. 12-10) |
| 11 | b 760 007 012 | KNIFE TERMINAL (WIRE GA. 22-16) | 38 | b 760 014 025 | RING TERMINAL (WIRE GA. 22-18) |
| 12 | b 760 007 016 | KNIFE DISCONNECT TERMINAL (WIRE GA. 12-10) | 39 | b 760 014 026 | RING TAIL TERM. (WIRE GA. 16-14) |
| 13 | b 760 007 017 | KNIFE TERMINAL (WIRE GA. 16-14) | 40 | b 760 014 030 | RING TERMINAL (WIRE GA. 16-14) |
| 14 | b 760 007 018 | KNIFE DISCONNECT TERMINAL (WIRE GA. 16-14) | 41 | b 760 014 071 | RING TERMINAL (WIRE GA. 20-16) |
| 15 | b 760 010 065 | TERMINAL (1/8" DIA. MTG. HOLE) | 42 | b 760 015 020 | SLOTTED TERMINAL (WIRE 22-16) |
| 16 | b 760 010 066 | STATIONARY MALE TERMINAL | 43 | b 760 015 032 | FLANGED SPADE TERM. (WIRE 18-14) |
| 17 | b 760 010 067 | STATIONARY MALE TERMINAL | 44 | b 760 015 033 | FLANGED SPADE TERM. (WIRE 22-18) |
| 18 | b 760 010 072 | TERMINAL (1/8" DIA. MTG. HOLE) | 45 | b 760 015 038 | SPADE TERMINAL (WIRE GA. 18-14) |
| 19 | b 760 010 073 | TERMINAL (1/8" DIA. MTG. HOLE) | 46 | b 760 015 040 | SELF RECEIVING TERM. (WIRE 18-14) |
| 20 | b 760 011 029 | SHUR PLUG TERMINAL (WIRE GA. 18-14) | 47 | b 760 015 041 | FLANGED SPADE TERM. (WIRE 12-10) |
| 21 | b 760 011 043 | SHUR PLUG TERMINAL (WIRE GA. 18-14) | 48 | b 760 015 056 | SLOTTED TERMINAL (WIRE 22-16) |
| 22 | b 760 012 051 | PRINTED CIRCUIT TERMINAL (MOTHER BOARD) | 49 | b 760 017 034 | STRAIGHT ON TERM. (WIRE 18-14) |
| 23 | b 760 012 068 | CONNECTOR TERMINAL | 50 | b 760 017 036 | STRAIGHT ON TERM. (WIRE 18-14) |
| 24 | b 760 013 076 | TERMINAL | 51 | b 760 017 037 | STRAIGHT ON TERM. (WIRE 14-10) |
| 25 | b 760 014 002 | RING TERMINAL (WIRE GA. 16-14) | 52 | b 760 017 044 | STRAIGHT ON TERM. (WIRE 22-18) |
| 26 | b 760 014 003 | RING TERMINAL (WIRE GA. 16-14) | 53 | b 760 017 050 | STRAIGHT ON TERM. (WIRE 20-22) |
| 27 | b 760 014 004 | RING TERMINAL (WIRE GA. 16-14) | 54 | b 760 017 054 | STRAIGHT ON TERM. (WIRE 22-24) |
| | | | 55 | b 000 025 076 | PIN TERMINAL (WIRE GA. 18-16) |
| | | | 56 | b 000 025 077 | SOCKET TERMINAL (WIRE GA. 18-16) |
| | | | 57 | b 000 028 445 | SOCKET TERMINAL (WIRE GA. 24-20) |
| | | | 58 | b 000 028 448 | PIN TERMINAL (WIRE GA. 24-20) |

REFER TO PRICE LIST FOR MINIMUM ORDER QUANTITY AND PRICE.

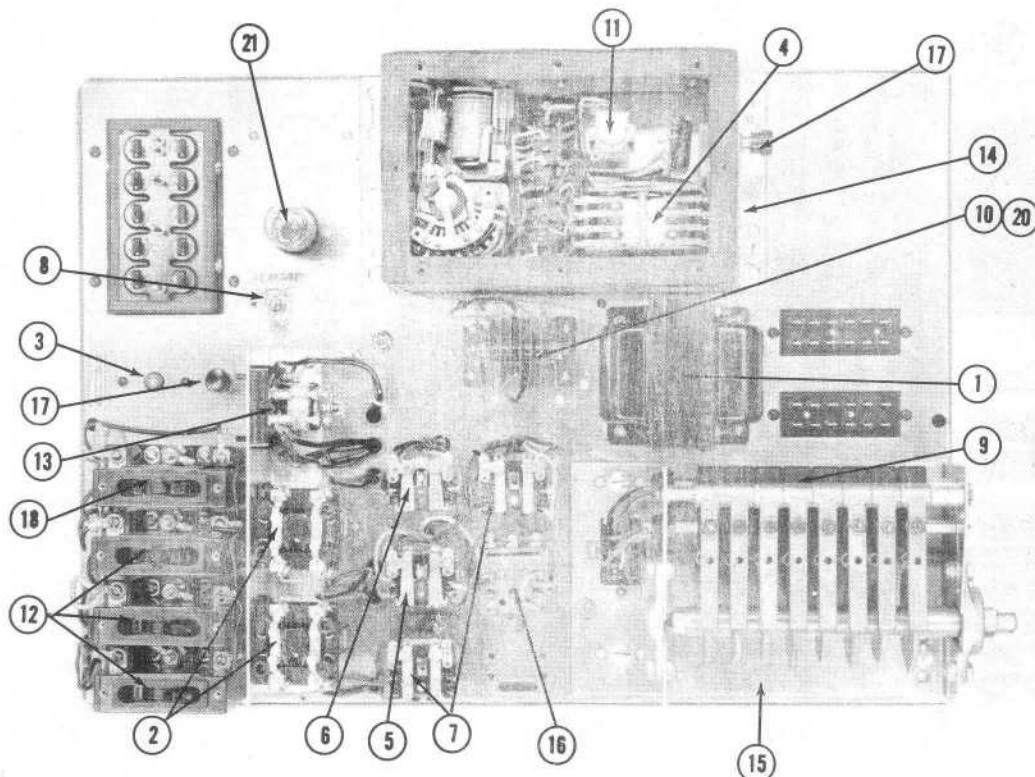
REV. 1-71



030 003 930 CHASSIS ASSY. PR6 & PR7

| <u>ITEM</u> | <u>PART NO.</u> | <u>DESCRIPTION</u> |
|-------------|-----------------|----------------------------------|
| 1 | 030 002 757 | LATCH RELAY LR1-2-3 & 5 |
| 2 | 030 002 975 | TRANSFORMER T1 |
| 3 | 030 002 976 | RELAY CR2 & CR3 |
| 4 | 030 002 979 | KLIXON |
| 5 | 030 002 980 | LATCH RELAY LR4 |
| 6 | 030 002 981 | RELAY PR3 |
| 7 | 030 002 982 | RELAY PR1 |
| 8 | 030 002 983 | RELAY PR2-4-5-6 &7 |
| 9 | 030 002 984 | POTENTIOMETER PT1 |
| 10 | 030 002 985 | POTENTIOMETER PT2 |
| 11 | 030 002 986 | MICRO SWITCH |
| 12 | 030 002 987 | RECTIFIER |
| 13 | 030 003 032 | RELAY SR1 |
| 14 | 030 003 033 | CIRCUIT BREAKER CB1 |
| 15 | 030 003 783 | CIRCUIT BREAKER CB2-3-4 |
| 16 | 030 003 916 | RELAY CR1 |
| 17 | 030 005 862 | RELAY INSTRUCT-O-MAT (NOT SHOWN) |
| 18 | 000 025 868 | RECTIFIER WITH INSTRUCT-O-MAT |
| 19 | 000 029 893 | VACUUM TUBE 6SN7 |

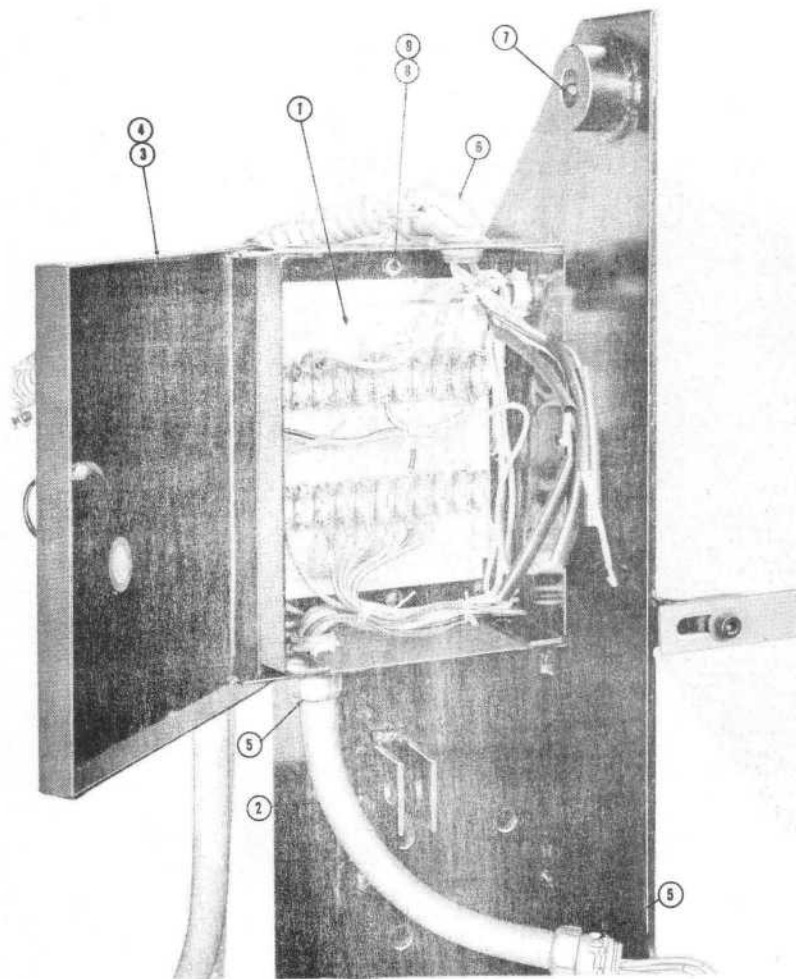
CHASSIS



CHASSIS ASSEMBLY 82-30-4400

| <u>ITEM</u> | <u>PART NO.</u> | <u>DESCRIPTION</u> |
|-------------|-----------------|--------------------------------------|
| 1 | 030 002 975 | TRANSFORMER T1 |
| 2 | 030 002 976 | RELAY CR2 & CR3 |
| 3 | 030 002 979 | KLIXON |
| 4 | 030 002 980 | LATCH RELAY LR1 |
| 5 | 030 002 981 | RELAY PR3 |
| 6 | 030 002 982 | RELAY PR1 |
| 7 | 030 002 983 | RELAY PR2 & PR5 |
| 8 | 030 002 984 | POTENTIOMETER |
| 9 | 030 002 986 | MICRO SWITCH |
| 10 | 030 002 987 | RECTIFIER |
| 11 | 030 003 032 | RELAY SR1 |
| 12 | 030 003 783 | CIRCUIT BREAKER CB 2-3-4 |
| 13 | 030 003 916 | RELAY CR1 |
| 14 | 030 004 401 | STEPPER RELAY ASSY. |
| 15 | 030 004 425 | TABLE CAM ASSY. |
| 16 | 030 004 451 | RELAY PR4 |
| 17 | 030 004 453 | PUSHBUTTON PB1 & PB2 |
| 18 | 030 004 462 | CIRCUIT BREAKER CB1 |
| 19 | 030 005 862 | RELAY INSTRUCT-O-MAT (NOT SHOWN) |
| 20 | 000 025 868 | RECTIFIER (USED WITH INSTRUCT-O-MAT) |
| 21 | 000 029 893 | VACUUM TUBE 6SN7 |

REV. 1-171

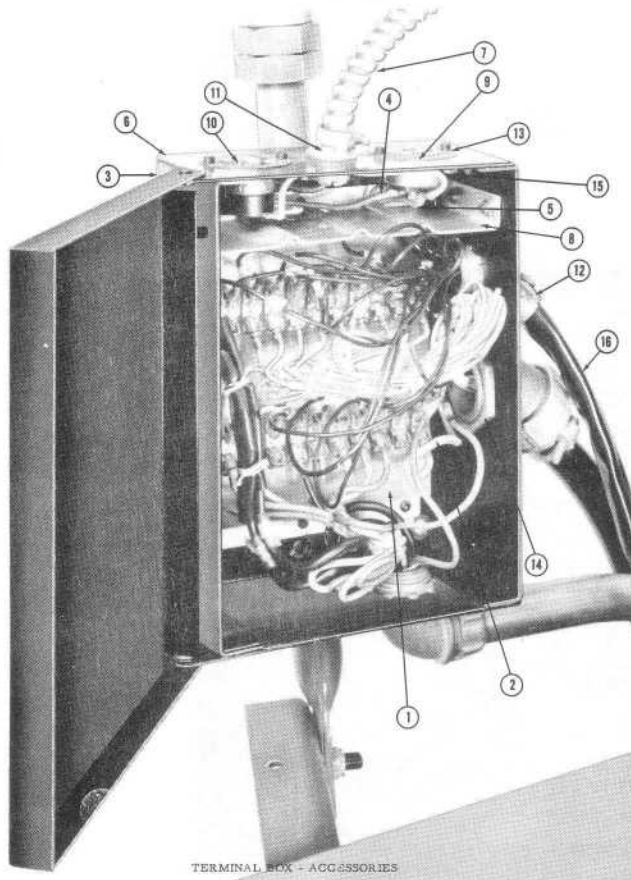


TERMINAL "R" BOX ASSY

| <u>ITEM</u> | <u>PART NO.</u> | <u>DESCRIPTION</u> |
|-------------|-----------------|---|
| 1 | 030 002 688 | SUPPORT & PLATE ASSY. |
| 2 | 030 002 693 | CONDUIT # 5 |
| 3 | 030 003 721 | CABINET ASSY. R.H. |
| 4 | 030 003 722 | CABINET ASSY. L.H. |
| 5 | 746 001 021 | STRAIGHT CONNECTOR |
| 6 b | 746 003 008 | 90° CONNECTOR |
| 7 b | 807 358 080 | SET SCREW, KNURLED CUP PT. 5/16-24 X 1/2 |
| 8 b | 810 250 080 | SCREW, Soc. Hd. CAP 1/4-28 X 1/2 |
| 9 b | 844 050 002 | LOCKNUT 1/4-28 |

b REFER TO PRICE LIST FOR MINIMUM ORDER QUANTITY AND PRICE.

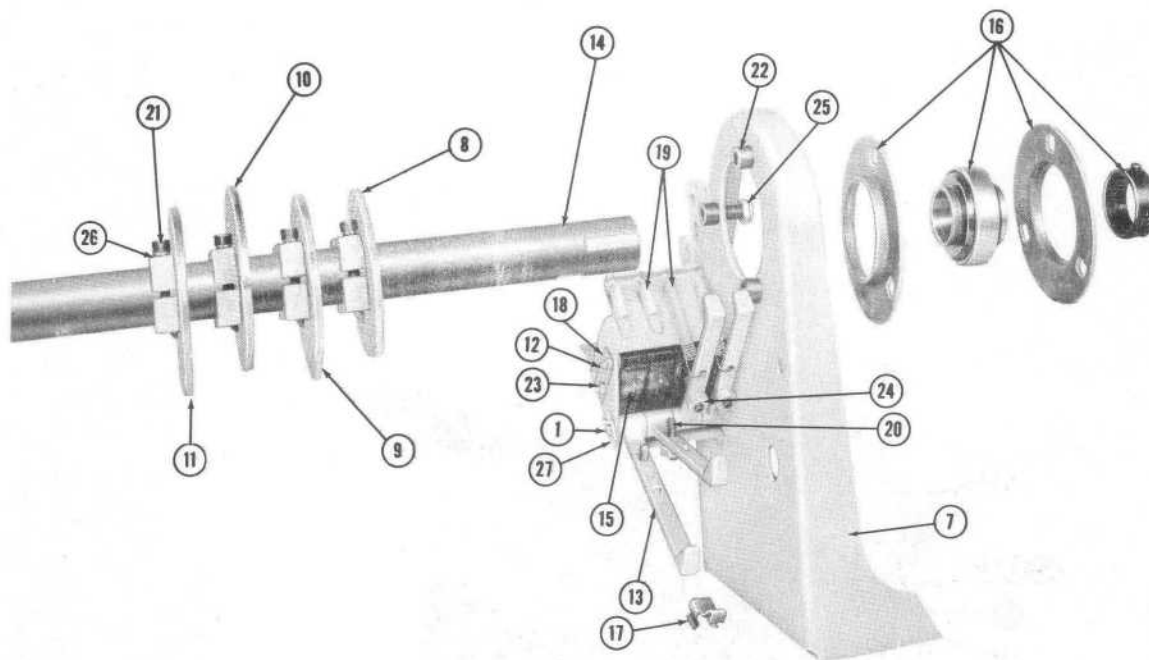
P-BOX



TERMINAL BOX - ACCESSORIES

| <u>ITEM</u> | <u>PART NO.</u> | <u>DESCRIPTION</u> |
|-------------|-----------------|-------------------------------|
| 1 | 030 002 613 | SUPPORT & PLATE ASSY. |
| 2 | 030 003 014 | TERMINAL WIRE ASSY. |
| 3 | 030 003 207 | TERMINAL BOX |
| 4 | 030 003 209 | TERMINAL WIRE ASSY. |
| 5 | 030 003 210 | TERMINAL WIRE ASSY. |
| 6 | 030 003 211 | TERMINAL BOX ASSY. |
| 7 | 030 003 222 | CABLE ASSY. MASK SWITCH |
| 8 | 030 003 488 | SHIELD |
| 9 | 030 004 733 | FEMALE BASE |
| 10 | 030 004 734 | MALE RECEPTACLE |
| 11 b | 746 001 015 | STRAIGHT CONNECTOR |
| 12 | 746 002 007 | 45° ANGLE CONNECTOR |
| 13 b | 810 227 060 | CAP SCREW SOC. HD. 6-32 X 3/8 |
| 14 b | 831 565 002 | LOCKNUT 3/8-16 |
| 15 b | 840 027 002 | LOCKNUT 6-32 |
| 16 | 940 280 040 | TUBING |

b REFER TO PRICE LIST FOR MINIMUM ORDER QUANTITY AND PRICE.

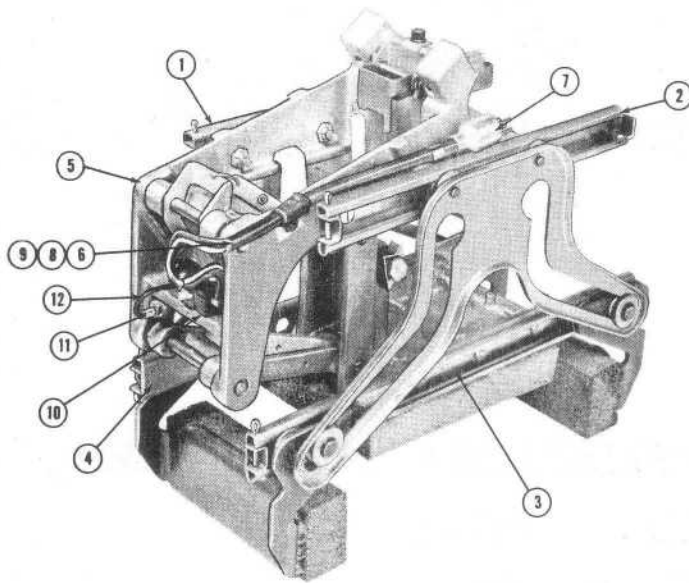


SWEEP CAM-SWITCH-SUPPORT ASSY.--R.H. MACH. SHOWN

| <u>ITEM</u> | <u>PART NO.</u> | <u>DESCRIPTION</u> |
|-------------|-----------------|--------------------------------------|
| 1 | 030 001 495 | Rod |
| 2 | 030 002 143 | SA CAM, L.H. MACH. (NOT SHOWN) |
| 3 | 030 002 144 | SB CAM, L.H. MACH. (NOT SHOWN) |
| 4 | 030 002 145 | SC CAM, L.H. MACH. (NOT SHOWN) |
| 5 | 030 002 146 | SD CAM, L.H. MACH. (NOT SHOWN) |
| 6 | 030 002 316 | SUPPORT WELD. L.H. (NOT SHOWN) |
| 7 | 030 002 318 | SUPPORT WELD. R.H. |
| 8 | 030 002 589 | SD CAM, R.H. MACH. |
| 9 | 030 002 590 | SC CAM, R.H. MACH. |
| 10 | 030 002 591 | SB CAM, R.H. MACH. |
| 11 | 030 002 592 | SA CAM, R.H. MACH. |
| 12 | 030 002 776 | ROD ASSY. |
| 13 | 030 003 288 | SWITCH LEVER |
| 14 | 030 003 435 | SHAFT EXTENSION |
| 15 | 030 004 702 | MICRO SWITCH |
| 16 | 030 004 731 | BEARING |
| 17 b | 030 004 884 | CLIP, SWITCH LEVER |
| 18 b | 000 022 296 | INSULATOR, SWITCH |
| 19 b | 000 024 657 | SPRING |
| 20 b | 807 649 160 | SET SCREW, FLAT PT. 1/4-20 X 1 |
| 21 b | 810 250 240 | CAP SCREW, SOCKET HD. 1/4-28 X 1 1/2 |
| 22 b | 810 266 120 | CAP SCREW, SOCKET HD. 3/8-24 X 3/4 |
| 23 b | 840 027 002 | LOCKNUT 6-32 |
| 24 | 844 049 002 | NUT HEX 1/4-20 |
| 25 b | 844 066 002 | LOCKNUT 3/8-24 |
| 26 b | 951 148 002 | LOCK WASHER 1/4" |
| 27 b | 963 400 002 | X WASHER |

b REFER TO PRICE LIST FOR MINIMUM ORDER QUANTITY AND PRICE.

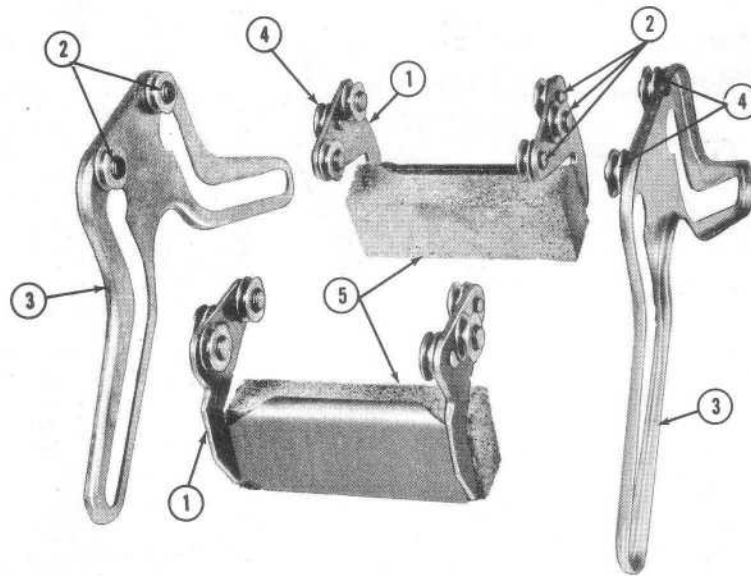
RESPOT CELL



RESPOT CELL

| <u>ITEM</u> | <u>PART NO.</u> | <u>DESCRIPTION</u> |
|-------------|-----------------|---|
| 1 | 030 001 124 | TRACK, R.H. UPPER |
| 2 | 030 001 126 | TRACK, L.H. UPPER |
| 3 | 030 001 128 | TRACK, L.H. LOWER |
| 4 | 030 001 130 | TRACK, R.H. LOWER |
| 5 | 030 001 203 | RESPOT CELL ASSY. (CELLS 2-3-5-7-9-10) |
| 6 | 030 003 407 | CELL WIRE & PLUG ASSY. |
| 7 b | 030 004 732 | PLUG |
| 8 b | 030 006 546 | WIRE ONLY (CELLS 2-3-5) |
| 9 b | 030 006 548 | WIRE ONLY (CELLS 1-4-6-7-8-9-10) |
| 10 b | 000 024 717 | SWITCHETTE |
| 11 b | 760 013 076 | TERMINAL |
| 12 | 764 002 006 | WIRE STRANDED-SINGLE COND. |

b REFER TO PRICE LIST FOR MINIMUM ORDER QUANTITY AND PRICE.

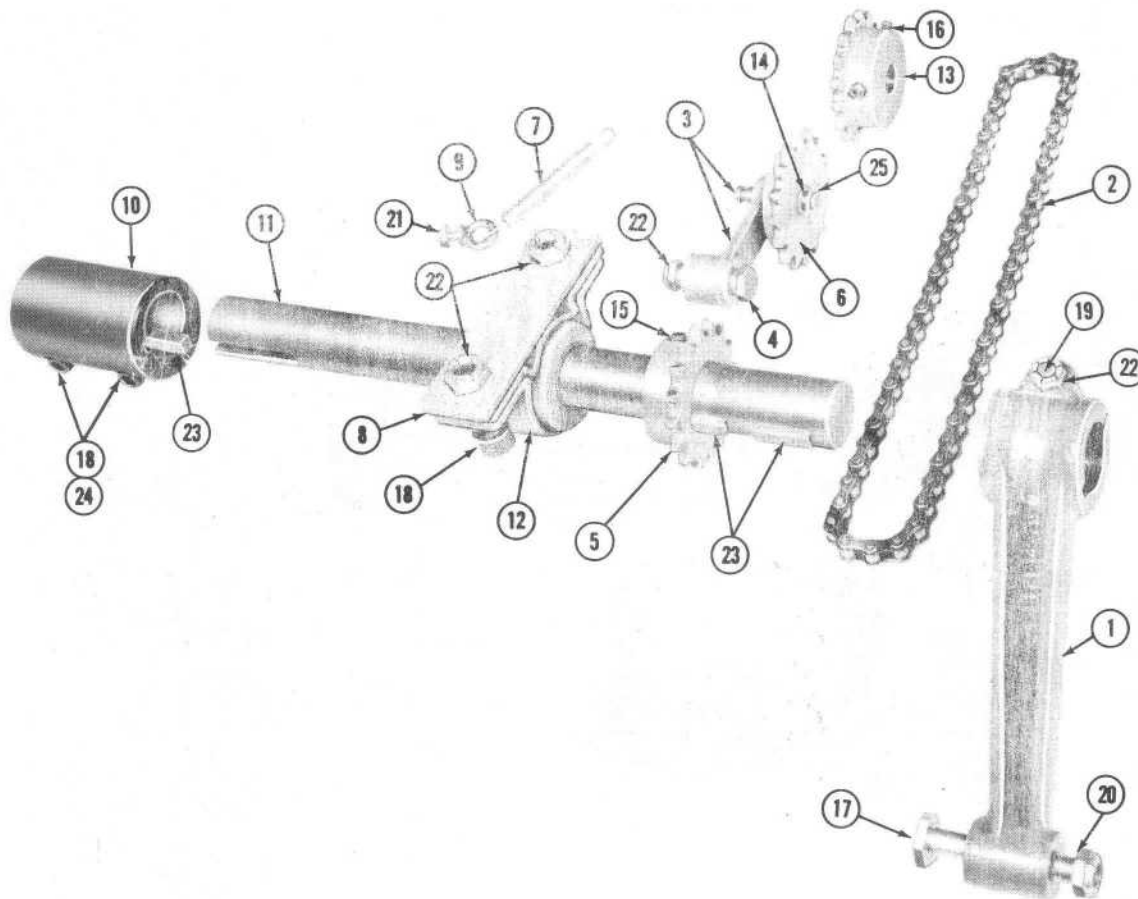


RESPOT - TRACK CARRIER & GRIPPER

| <u>ITEM</u> | <u>PART NO.</u> | <u>DESCRIPTION</u> |
|-------------|-----------------|----------------------|
| 1 | 030 001 112 | GRIPPER ASSY. |
| 2 | 030 002 332 | RIVET, FL. HD. STEEL |
| 3 | 030 002 706 | TRACK CARRIER ASSY. |
| 4 b | 030 003 896 | BEARING |
| 5 | 030 004 465 | PAD GRIPPER |

b REFER TO PRICE LIST FOR MINIMUM ORDER QUANTITY AND PRICE.

TABLE DRIVE

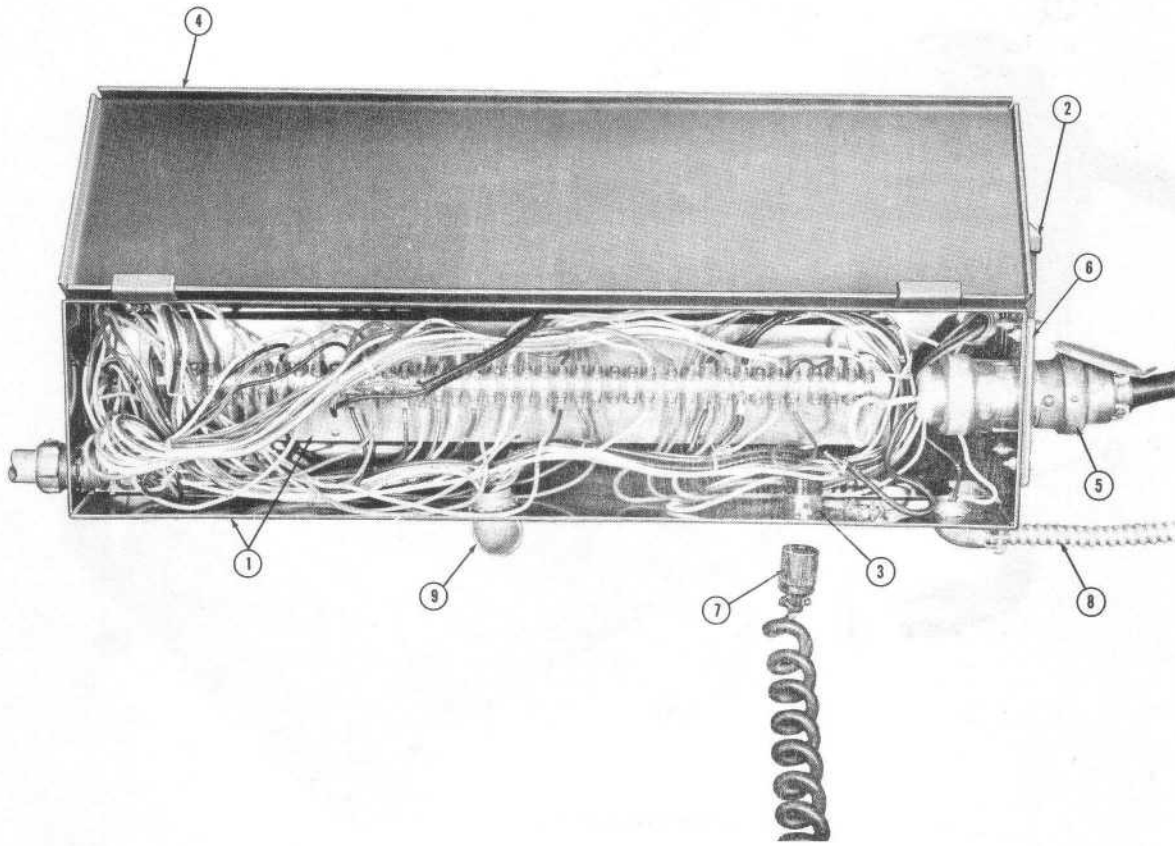


CRANK-SHAFT-ELECTRICAL CONTROL CHAIN

| <u>ITEM</u> | <u>PART NO.</u> | <u>DESCRIPTION</u> | <u>ITEM</u> | <u>PART NO.</u> | <u>DESCRIPTION</u> |
|-------------|-----------------|-------------------------|-------------|-----------------|---------------------------------------|
| 1 | 030 001 245 | ARM CRANK R.H. | 17 b | 809 870 405 | SCREW, HEX HD. CAP 7/16-20 2 1/2 |
| 2 | 030 001 272 | CHAIN, CONTROL BOX | 18 b | 810 266 200 | SCREW, SOC. HD. CAP 3/8-24 X 1 1/4 |
| 3 | 030 001 422 | ARM ASSY. | 19 b | 810 266 320 | SCREW, SOC. HD. CAP 3/8-24 X 2 |
| 4 | 030 001 432 | SHOULDER SCREW | 20 | 839 770 002 | LOCKNUT 7/16-20 |
| 5 | 030 001 433 | SPROCKET, MAIN SHAFT | 21 b | 844 049 002 | LOCKNUT 1/4-20 |
| 6 | 030 001 435 | IDLER SPROCKET ASSY. | 22 b | 844 066 002 | LOCKNUT 3/8-24 |
| 7 b | 030 001 438 | SPRING, IDLER ASSY. | 23 b | 907 000 900 | KEY |
| 8 | 030 001 440 | SPACER, MAIN SHAFT | 24 b | 951 164 002 | LOCK WASHER 3/8 MED. |
| 9 b | 030 003 206 | EYE BOLT | 25 b | 963 400 002 | X WASHER |
| 10 | 030 003 257 | COUPLING | | | |
| 11 | 030 003 261 | SHAFT EXTENSION, RIGHT | | | |
| 12 | 030 004 478 | PILLOW BLOCK | | | |
| 13 | 030 004 665 | SPROCKET | | | |
| 14 | 701 512 073 | BEARING | | | |
| 15 b | 807 358 080 | SET SCREW 5/16-24 X 1/2 | | | |
| 16 b | 807 650 100 | SET SCREW 1/4-28 X 5/8 | | | |

b REFER TO PRICE LIST FOR MINIMUM ORDER QUANTITY AND PRICE.

J-BOX



| <u>ITEM</u> | <u>PART NUMBER</u> | <u>DESCRIPTION</u> |
|-------------|--------------------|--|
| 1 | 030 001 458 | Box Assy. |
| 2 | 030 001 491 | CABINET ASSY. |
| 3 | 000 029 116 | RECEPTACLE (EFF. TO S.N. 3117) |
| 3A | 000 025 797 | RECEPTACLE (EFF. S.N. 3118 AND UP) |
| 4 | 030 003 174 | COVER WELDMENT |
| 5 | 030 003 265 | PLUG |
| 6 | 030 004 719 | RECEPTACLE |
| 7 | 000 021 468 | PLUG, CONNECTOR BODY (EFF. TO S.N. 3117) |
| 7A | 000 024 715 | PLUG, CONNECTOR BODY (EFF. S.N. 3118 AND UP) |
| 8 | 030 005 651 | FLEXIBLE CONDUIT |
| 9 | 746 005 022 | 90° CONNECTOR |

TABLE MOTOR

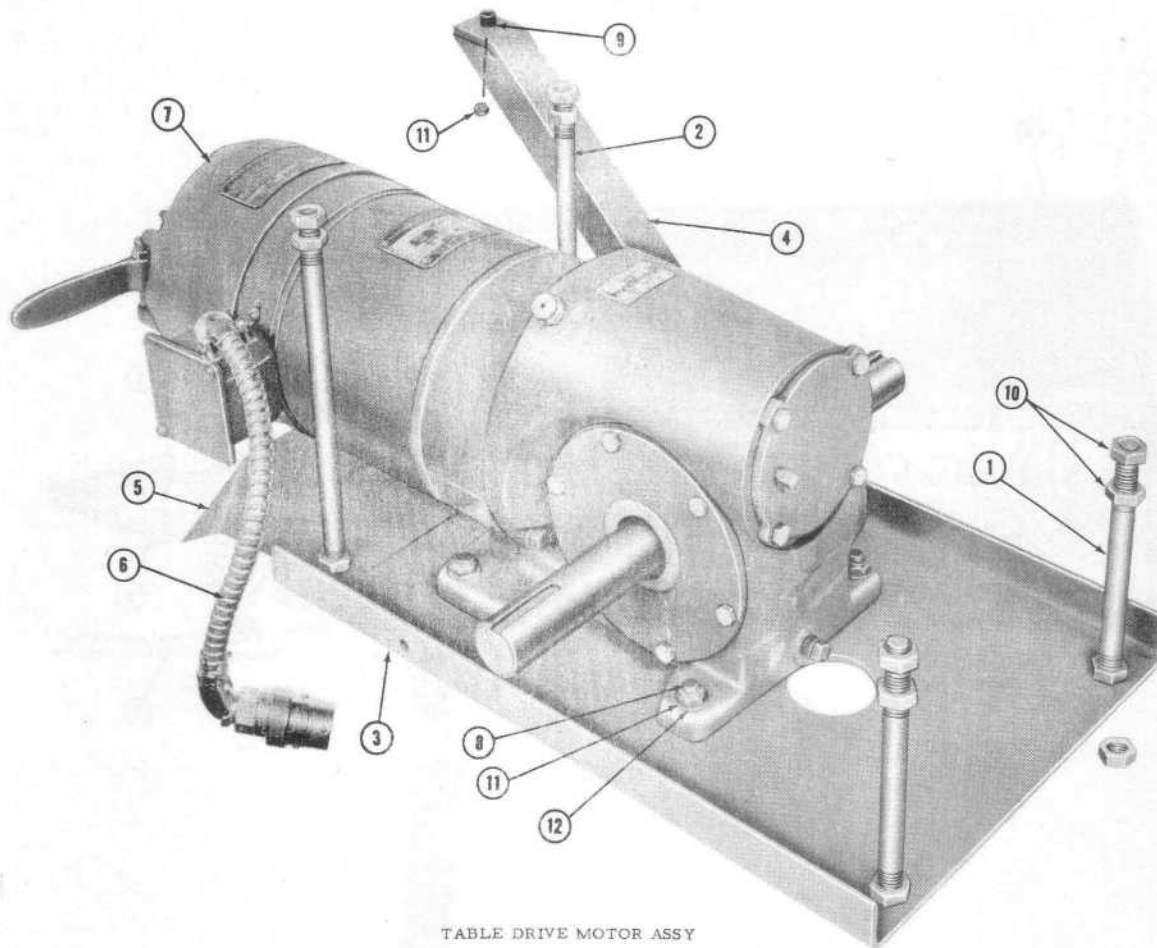
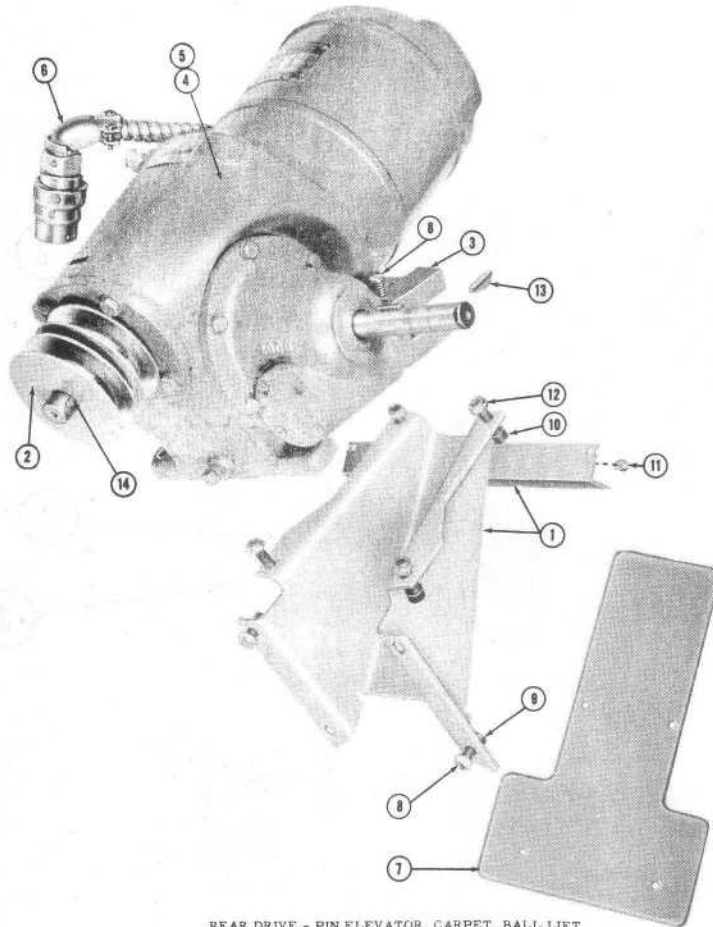


TABLE DRIVE MOTOR ASSY

| <u>ITEM</u> | <u>PART NO.</u> | <u>DESCRIPTION</u> |
|-------------|-----------------|--|
| 1 | 030 001 417 | STUD SHORT |
| 2 | 030 001 418 | STUD LONG |
| 3 | 030 001 449 | PAN |
| 4 | 030 001 670 | BRACE - MOTOR BASE |
| 5 | 030 002 365 | DEFLECTOR |
| 6 | 030 003 706 | CABLE & PLUG ASSY. |
| 7 | 030 003 715 | GEAR MOTOR ASSY. TABLE |
| 8 b | 808 558 200 | BUTTON HD. SOC. SCREW 5/16-24 X 1 1/4 |
| 9 b | 810 258 140 | CAP SCREW SOC. HD. 5/16-24 7/8 |
| 10 b | 835 574 002 | JAM NUT 1/2-20 |
| 11 b | 844 058 002 | LOCKNUT 5/16-24 |
| 12 b | 948 631 062 | WASHER, PLAIN 5/32 X 3/8 X .046 |

b REFER TO PRICE LIST FOR MINIMUM ORDER QUANTITY AND PRICE.

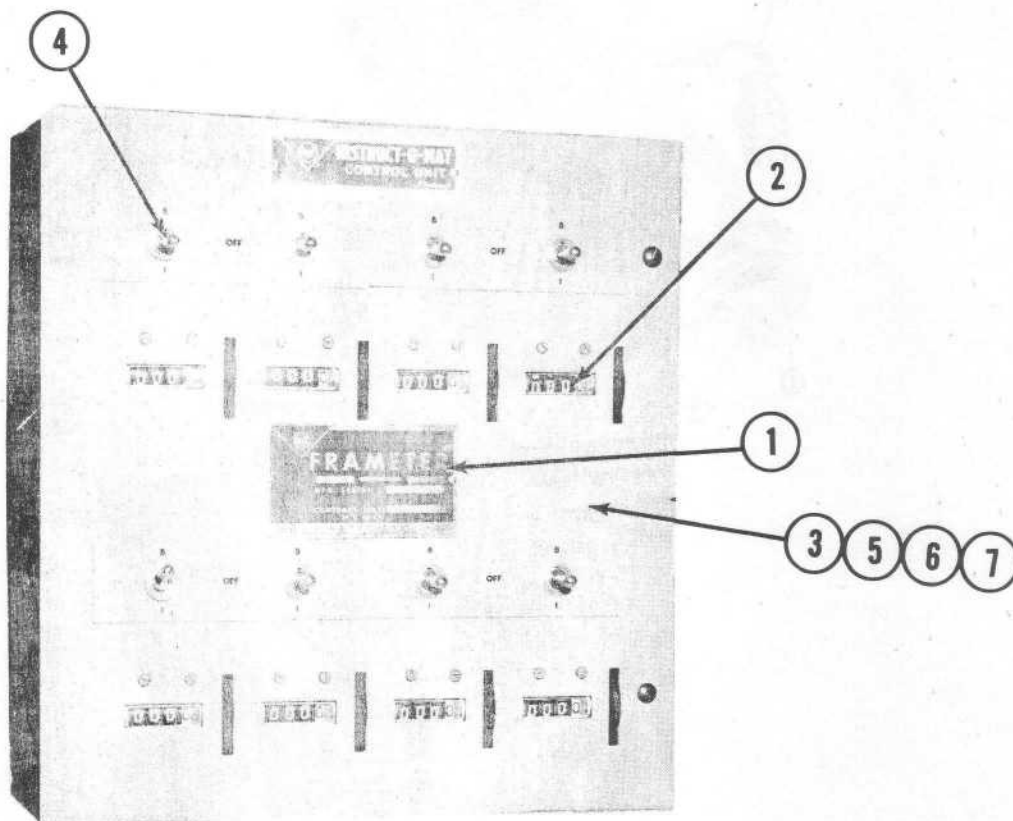


REAR DRIVE - PIN ELEVATOR, CARPET, BALL LIFT

| <u>ITEM</u> | <u>PART NO.</u> | <u>DESCRIPTION</u> |
|-------------|-----------------|--------------------------------------|
| 1 | 030 002 366 | MOUNTING BRACKET ASSY. |
| 2 | 030 003 073 | SHEAVE BALL LIFT |
| 3 | 030 003 696 | DISTRIBUTOR-HOUSING DRIVE |
| 4 | 030 003 713 | BACK END MOTOR R.H. |
| 5 | 030 003 714 | BACK END MOTOR L.H. |
| 6 | 030 003 728 | CABLE ASSY. |
| 7 | 030 003 757 | DRIP PAN |
| 8 b | 807 358 060 | SET SCREW 5/16-24X3/8 |
| 9 b | 810 266 120 | CAP SCREW SOC. HD. 3/8-24 X 3/4 |
| 10 b | 810 266 200 | CAP SCREW SOC. HD. 3/8-24 X 1 1/4 |
| 11 b | 840 040 002 | LOCKNUT 10-32 |
| 12 b | 844 066 002 | LOCKNUT 3/8-24 |
| 13 | 907 000 300 | KEY |
| 14 | 907 000 500 | KEY |

b REFER TO PRICE LIST FOR MINIMUM ORDER QUANTITY AND PRICE.

INSTRUCTOMAT

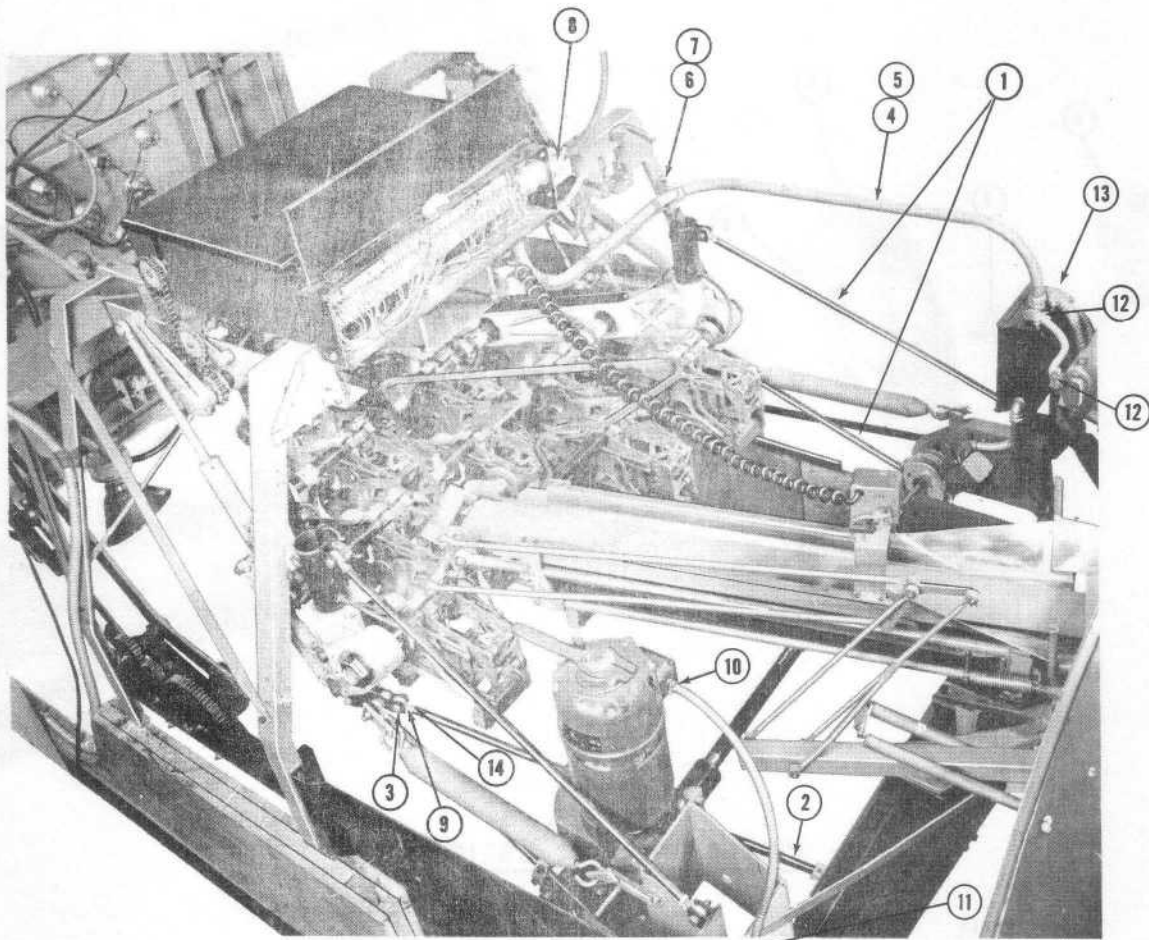


REMOTE COUNTER ASSEMBLY

| <u>ITEM</u> | <u>PART NO.</u> | <u>DESCRIPTION</u> |
|-------------|-----------------|--|
| 1 | 030 004 966 | NAME PLATE |
| 2 | 030 004 967 | COUNTER ASSY. (EFF. S.N. 1 TO 13017) |
| 2A | 000 026 165 | COUNTER ASSY. (EFF. S.N. 13018 AND UP) |
| 3 | 030 007 146 | TRANSFORMER (NOT SHOWN) (EFF. S.N. 1 TO 13017) |
| 4 | 030 007 167 | SWITCH (EFF. S.N. 1 TO 13017) |
| 4A | 000 026 829 | SWITCH (EFF. S.N. 13018 AND UP) |
| 5 | 000 024 953 | NUMBER STRIP (SPECIFY NUMBER) |
| 6 b | 000 026 830 | RECTIFIER (NOT SHOWN) |
| 7 b | 000 029 856 | FUSE 3AG 1/2 A (NOT SHOWN) |

b REFER TO PRICE LIST FOR MINIMUM ORDER QUANTITY AND PRICE.

BACK END ASSY.

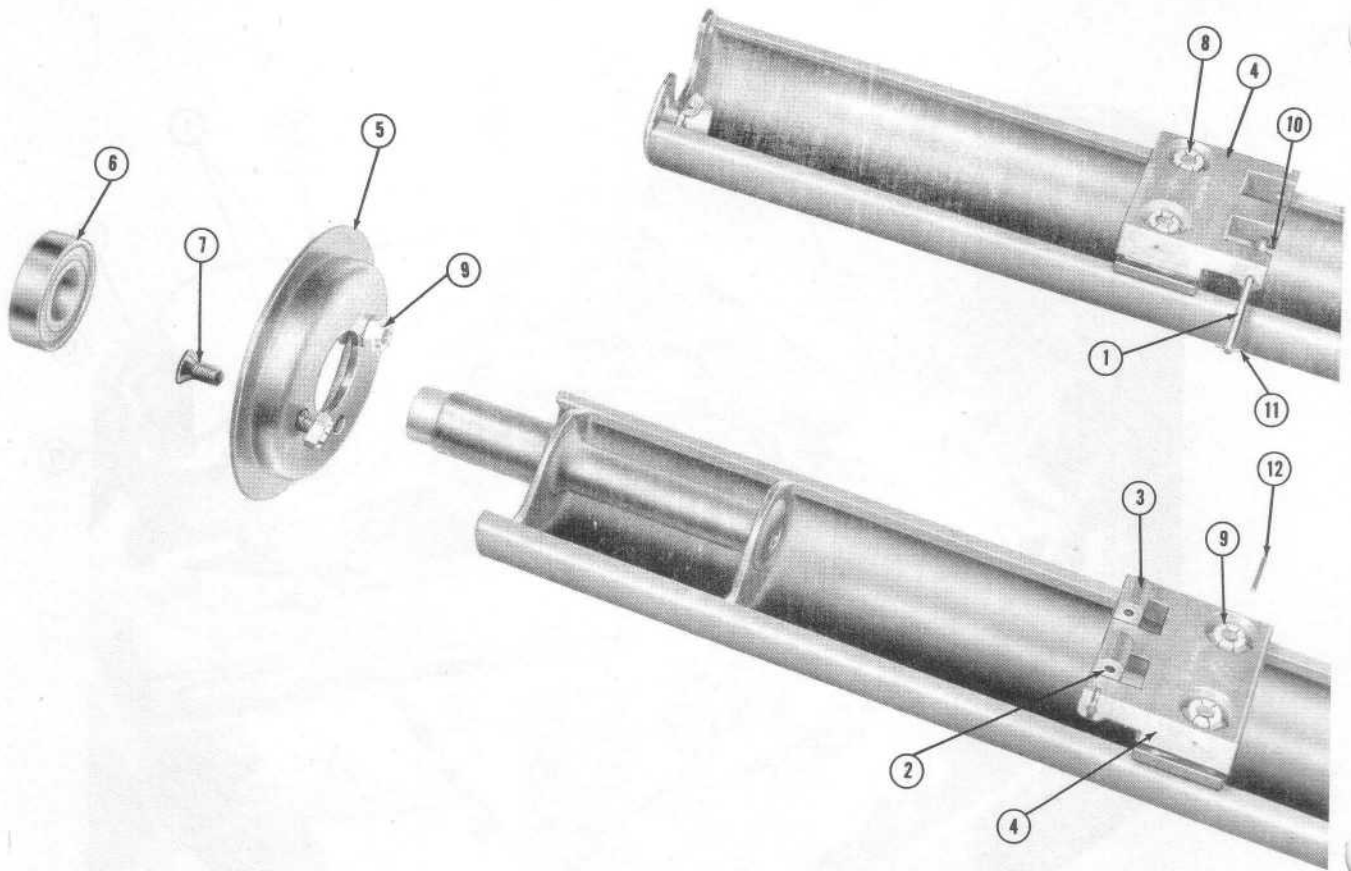


BACK END ASSEMBLY

| <u>ITEM</u> | <u>PART NO.</u> | <u>DESCRIPTION</u> |
|-------------|-----------------|-----------------------|
| 1 | 030 001 105 | CONNECTING ROD |
| 2 | 030 001 106 | CONNECTING ROD |
| 3 | b 030 001 107 | CAP SCREW, SPECIAL |
| 4 | 030 002 656 | CONDUIT #3 R.H. |
| 5 | 030 002 701 | CONDUIT #3 L.H. |
| 6 | 030 003 085 | BRACKET, CONDUIT L.H. |
| 7 | 030 003 086 | BRACKET, CONDUIT R.H. |
| 8 | 030 003 265 | PLUG |
| 9 | b 000 025 004 | END FITTING R.H. |
| 10 | 746 001 004 | STRAIGHT CONNECTOR |
| 11 | 746 002 007 | 45° CONNECTOR |
| 12 | b 746 003 008 | 90° CONNECTOR |
| 13 | 746 005 022 | 90° CONNECTOR |
| 14 | b 835 570 002 | JAM NUT, HEX 7/16-20 |

b REFER TO PRICE LIST FOR MINIMUM ORDER QUANTITY AND PRICE.

CARPET ROLLER



FRONT ROLLER ASSEMBLY

| <u>ITEM</u> | <u>PART NO.</u> | <u>DESCRIPTION</u> |
|-------------|-----------------|--|
| 1 | 030 004 536 | HINGE PIN (EFFECTIVE S.N. 2438 TO 4017) |
| 1A | 030 003 747 | HINGE PIN (EFFECTIVE TO S.N. 2437) |
| 2 | b 030 004 538 | BEARING |
| 3 | 030 004 540 | LINK ASSY. (EFFECTIVE S.N. 2438 TO 4017) |
| 3A | 030 003 020 | LINK ASSY. (EFFECTIVE TO S.N. 2437) |
| 4 | 030 004 547 | HINGE (EFFECTIVE S.N. 2438 TO 4017) |
| 4A | 030 004 535 | HINGE (EFFECTIVE TO S.N. 2437) |
| 5 | 030 004 762 | ELANGE |
| 6 | 030 005 008 | BEARING |
| 7 | b 808 858 100 | CAP SCREW, FL. HD. SOC. 5/16-24 X 5/8 |
| 8 | b 809 858 125 | CAP SCREW, HEX HD. 5/16-24 X 3/4 |
| 9 | b 844 058 002 | LOCKNUT 5/16-24 |
| 10 | b 911 007 082 | COTTER PIN 1/16 X 1/2 |
| 11 | b 913 411 060 | ROLL PIN .078 X 3/8 |
| 12 | b 913 411 120 | ROLL PIN .078 X 3/4 |

b REFER TO PRICE LIST FOR MINIMUM ORDER QUANTITY AND PRICE.