



Service Parts Catalog

StringPin Pinsetter

Ten Pin

October 2013 / 55-900002-000

Brunswick 

CUSTOMER SERVICE

A tradition in excellence.

StringPin Pinsetter Service Parts Catalog

© October 2013 by the Brunswick Bowling and Billiards Corporation. All rights reserved.

Reorder Part No. 55-900002-000

Notice: If available, updates to this catalog can be found on-line at www.brunswickbowling.com.

Confidential proprietary information. All information contained in this document is subject to change without notice.

Brunswick Bowling & Billiards Corporation
525 West Laketon Avenue
P.O. Box 329
Muskegon, MI 49443-0329
U.S.A.

231.725.3300

Contents

Section A: Frame

Frame Assembly (Short Pit).....	2
Frame Assembly (Long Pit).....	4
Central Frame Block.....	6
Clutch Jam Mechanism.....	8
Chain Drive Assembly.....	10
String Lever Assembly.....	12
Main Frame Assembly.....	14

Section B: Pit

Accelerator Box Assembly.....	2
Ball Door/Lock Assembly.....	4
Ball Accelerator.....	6
Pit Curtain Assembly (Short Pit).....	8
Pit (Short Pit).....	10
Ball Cushion Assembly (Short Pit).....	12
Pit Assembly (Long Pit).....	14
Ball Cushion / Pit Curtain (Long Pit).....	16
Front Gate (Long Pit).....	18
Front Gate (Short Pit).....	20

Section C: Pin System

String Pin Controllers.....	2
Return Lever Assembly.....	4
Setting Platform Assembly.....	6

Section D: Electronics

Switch Cluster.....	2
StringPin Light (Short Pit).....	4
StringPin Light (Long Pit).....	6
Electronics.....	8
Ball Detect (Scorer).....	10
Ball Detect (Pinsetter).....	12
Interface Cables.....	14
Control Box Cables.....	16

Select Only Genuine Brunswick Replacement Parts for Brunswick Equipment

You purchased the best when you bought Brunswick equipment. Insist on the best in replacement parts. Buy Genuine Brunswick Replacement Parts to keep your equipment in top-notch working condition.

Here's why you should insist on Brunswick Replacement Parts for your Brunswick equipment:

- Only Brunswick replacement parts are guaranteed to be the same, top quality, heavy-duty parts that go into the world's finest equipment by Brunswick.
- Rigid quality control assures maximum protection against part defect or failure.
- Full-time testing of all equipment and continual updating of parts provides the latest improvements.
- Each improved part is designed to be interchangeable with the part it is replacing.
- Efficient cost methods of production and design, reduce the cost of parts.

To place an order contact your certified Brunswick parts distributor or Brunswick at 1-800-YES-BOWL or 231-725-3300. Authorized Brunswick part distributors listings can be found on-line at www.brunswickbowling.com

For catalog comments or questions please e-mail: aftermarketcatalogs@brunbowl.com

WARRANTY

- Warranty coverage starts with date of purchase.
- The warranty coverage period is 90 days on materials.
- Repair or replacement parts is at the option of Brunswick.
- Call your authorized Brunswick Parts Distributor for parts warranty transaction process.

Intentionally Blank Page

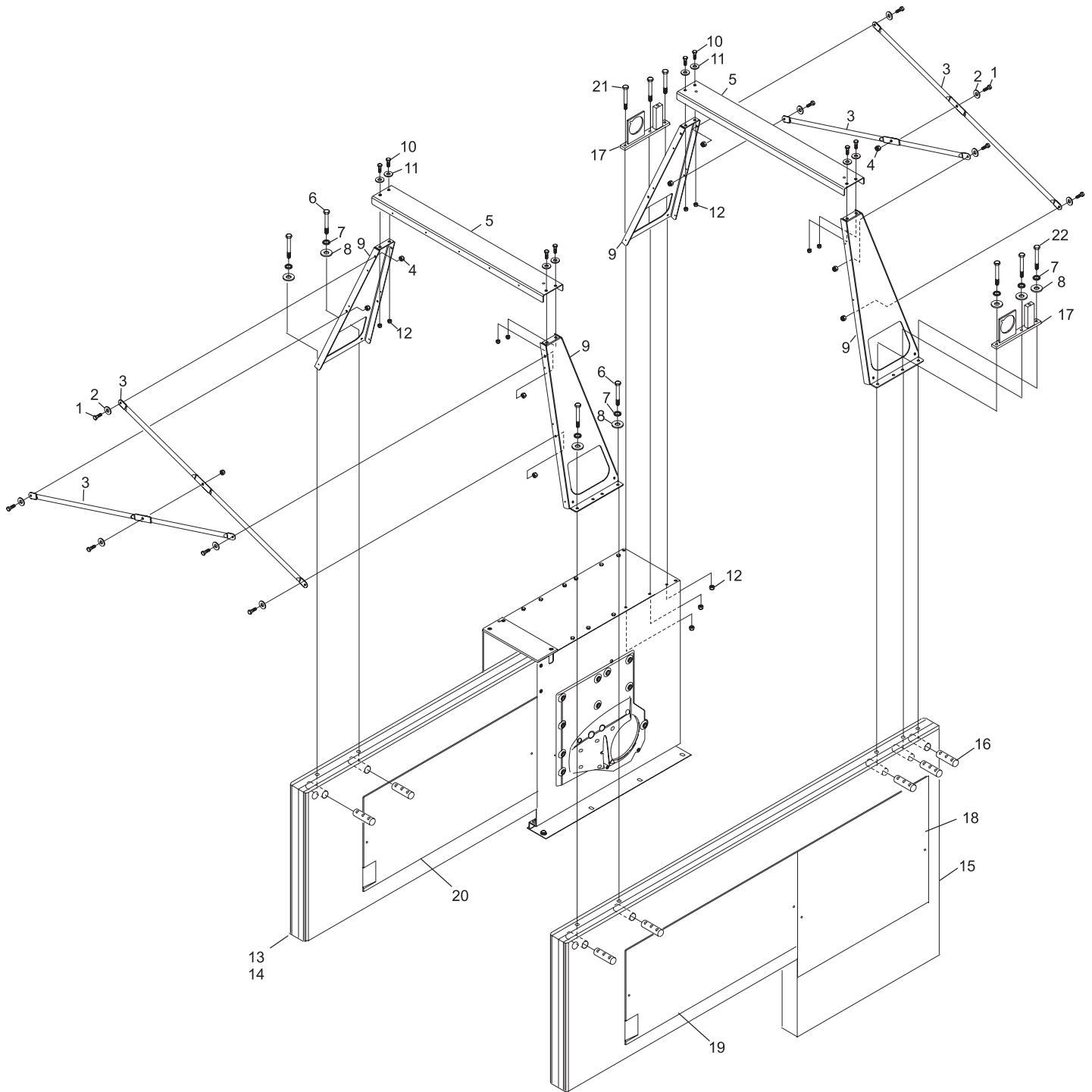
Section A

Frame

Index

No.	Part No.	Description
1.	11-051010-001	Hex Hd. Cap Screw (8 mm x 20 mm)
2.	11-052019-001	Flat Washer (8 mm)
3.	53-083101-000	Main Frame Cross Bracket
4.	11-051744-001	Locknut (8 mm)
5.	55-083102-000	Upper Support
6.	11-051055-001	Hex Hd. Cap Screw (8 mm x 65 mm)
7.	11-051770-001	Lockwasher (8 mm)
8.	11-052016-001	Flat Washer (8 mm)
9.	55-086100-000	Gusset Support
10.	11-051005-001	Hex Hd. Cap Screw (10 mm x 20 mm)
11.	11-052058-001	Flat Washer (10 mm)
12.	11-051745-001	Locknut (10 mm)
13.	55-083113-001	Elevator String Kickback (left-hand)
14.	55-083113-002	Elevator String Kickback (right-hand)
15.	55-083114-000	Common Kickback
16.	84-200073-000	Barrel Nut
17.	47-020947-003	Bearing Block
18.	52-200005-003	Kickback Protector Plate, R.H. (Short)
19.	52-200005-002	Kickback Protector Plate, R.H. (Long)
20.	52-200005-004	Kickback Protector Plate, L.H. (Long)
21.	11-051021-001	Hex Head Cap Screw (10 mm x 35 mm)
22.	11-051075-001	Hex Head Cap Screw (8 mm x 70 mm)

Frame Assembly (Short Pit)

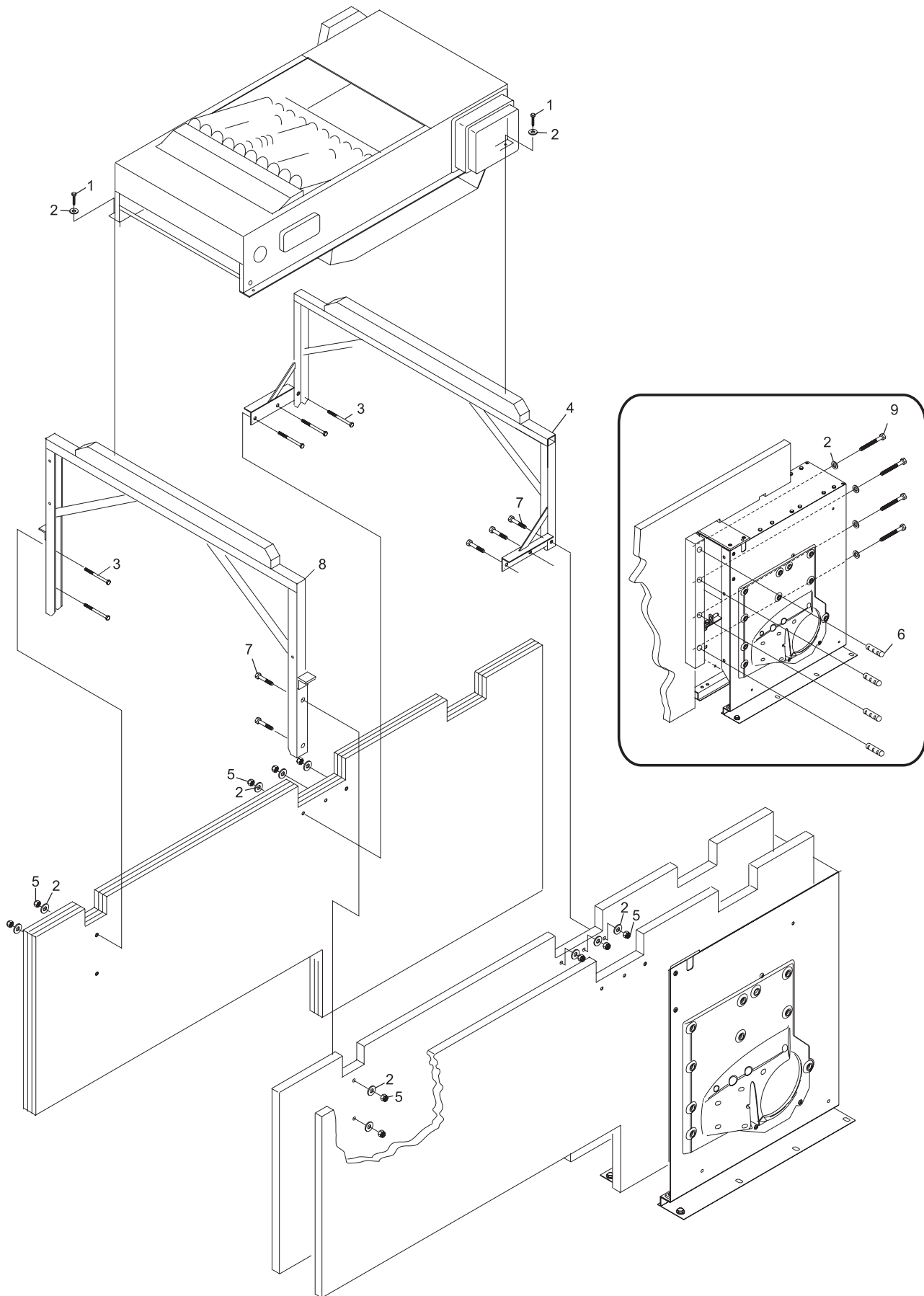


**Frame Assembly
(Short Pit)**

Index

No.	Part No.	Description
1.	11-053305-001	Lag Screw (8 mm x 40 mm)
2.	11-052016-001	Washer (8 mm)
3.	11-051081-001	Hex Head Cap Screw (8 mm x 100 mm) - inside division
4.	55-273004-009	Machine Frame (back)
5.	11-051744-001	Locknut (8 mm)
6.	84-200073-000	Barrel Nut (8 mm)
7.	11-051032-001	Hex Head Cap Screw (8 mm x 55 mm) - outside division or ball return
8.	55-273005-009	Machine Frame - front
9.	11-051054-001	Hex Head Cap Screw (8 mm x 60 mm)

**Frame Assembly
(Long Pit)**



**Frame Assembly
(Long Pit)**

Index

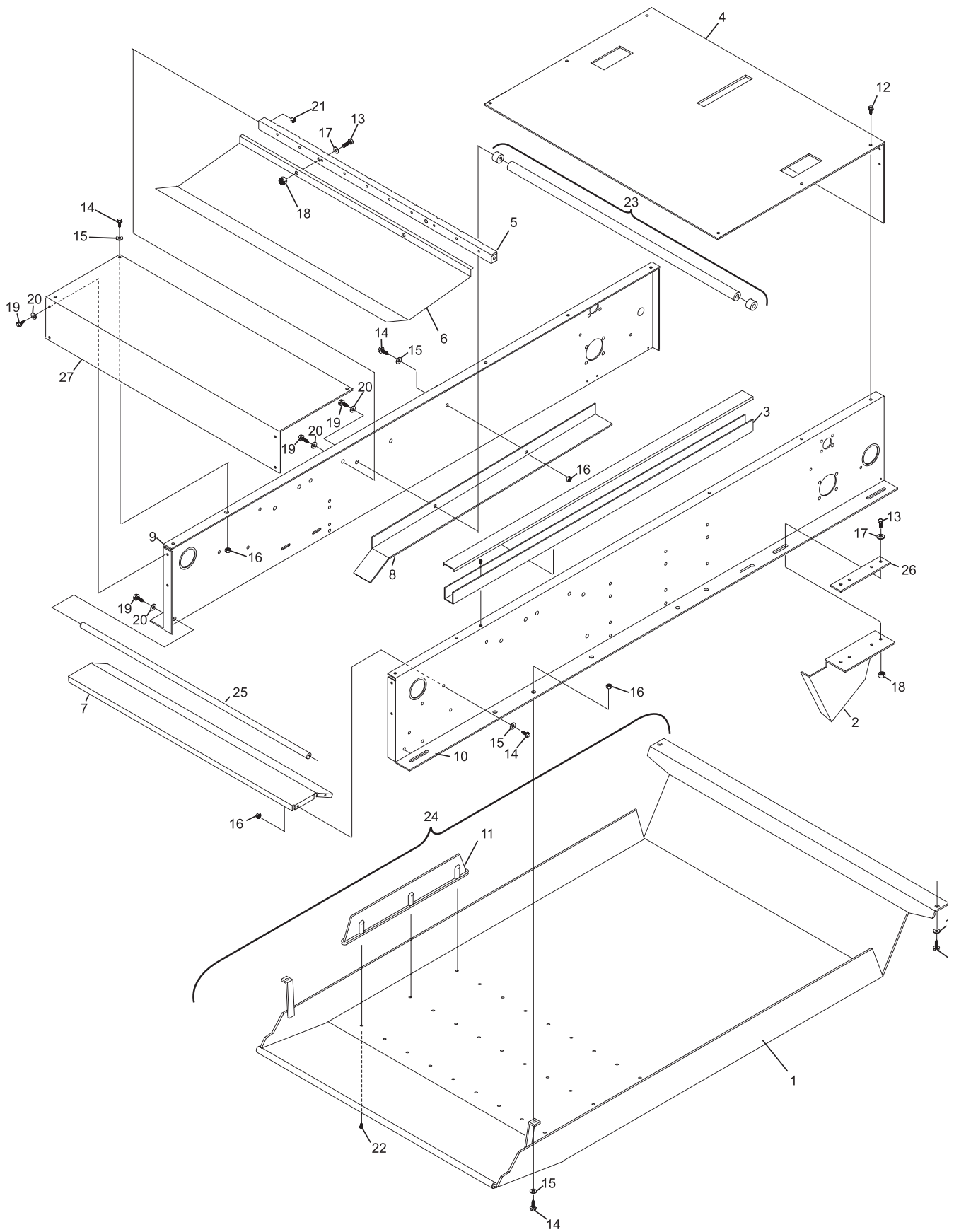
No.	Part No.	Description
1.	*55-010381-009	String Pan Guard
2.	55-060209-003	Turn Cam (right-hand)
	55-060210-003	Turn Cam (left-hand)
3.	55-083135-000	Cable Guard (plastic)
4.	55-010350-003	Cross Support (rear)
5.	55-050658-003	Spring Support
6.	55-010232-003	Spring Guard
7.	55-010444-002	String Pin Guard
8.	55-014150-003	Mounting Bracket
9.	55-010032-001	Side Frame - short (left-hand)
10.	55-010031-001	Side Frame - short (right-hand)
11.	*55-010403-002	String Guide
12.	11-054900-001	Self Tapping Screw (4.8 mm 13 mm)
13.	11-051038-001	Hex Hd. Cap Screw (8 mm x 16 mm)
14.	11-051035-001	Hex Hd. Cap Screw (6 mm x 16 mm)
15.	11-052022-001	Flat Washer (6 mm)
16.	11-051743-001	Self Locking Hex Nut (6 mm)
17.	11-052003-001	Flat Washer (8 mm)
18.	11-051744-001	Self Locking Hex Nut (8 mm)
19.	11-051005-001	Hex Hd. Cap Screw (10 mm x 20 mm)
20.	11-052018-001	Flat Washer (10 mm)
21.	11-051745-001	Self Locking Hex Nut (10 mm)
22.	11-082549-001	Self Tapping Screw (#8 x 1-1/2")
23.	**55-010553-009	String Shortening Shaft w/Bushings
24.	***55-010088-001	String Pan Guard Assembly
25.	55-050652-004	Shaft
26.	55-060185-004	Tension Bracket
27.	55-010480-002	Cross Support Front

* Not sold Separately - order index number 24.

** Includes 2 each of required Bushings, Plugs, Screws and Washers.

*** Includes index nos. 1, 11, 14, 15, 16 and 22.

Central Frame Block

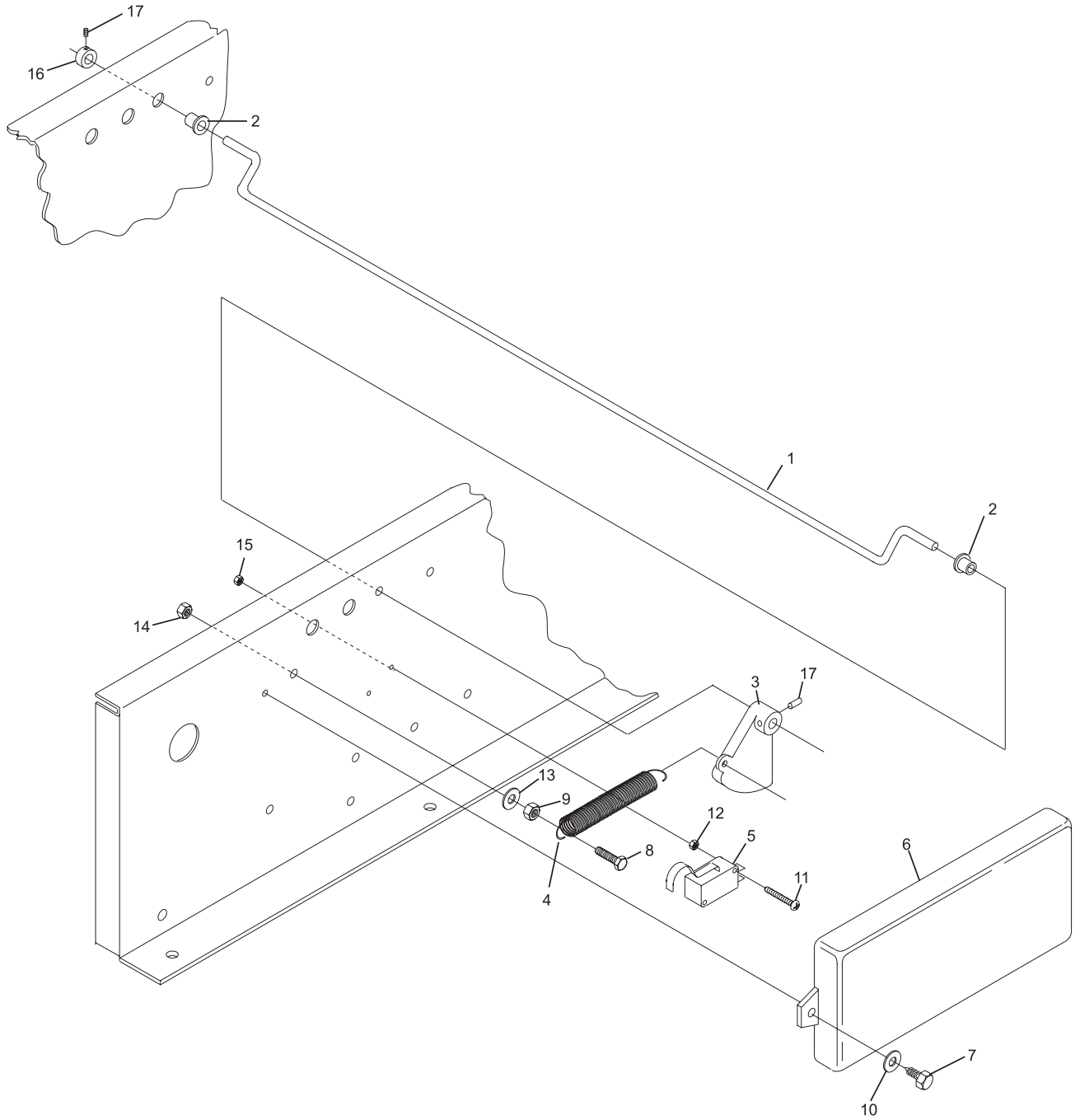


Central Frame Block

Index

No.	Part No.	Description
1.	55-050638-004	Pivot Rod
2.	99-010123-004	Nylon Bushing
3.	55-050613-004	Clutch Jam Cam
4.	55-050636-004	Clutch Spring
5.	11-053580-000	Jam Switch
6.	55-050614-003	Clutch Cover
7.	11-054900-001	Self Tapping Screw (4.8 mm x 13 mm)
8.	11-051035-001	Hex Hd. Cap Screw (6 mm x 25 mm)
9.	11-051702-001	Standard Hex Nut (6 mm)
10.	11-052005-001	Flat Washer (5.3 x 10 mm x 1 mm)
11.	11-052214-001	Machine Screw (3 mm x 20 mm)
12.	11-051710-001	Standard Hex Nut (3 mm)
13.	11-052008-001	Flat Washer (6 mm)
14.	11-051743-001	Self Locking Hex Nut (6 mm)
15.	11-051746-001	Self Locking Hex Nut (3 mm)
16.	11-053625-001	Stop Collar (8 mm x 16 mm x 8 mm)
17.	11-053102-001	Set Screw (4 mm x 4 mm)

Clutch Jam Mechanism



Clutch Jam Mechanism

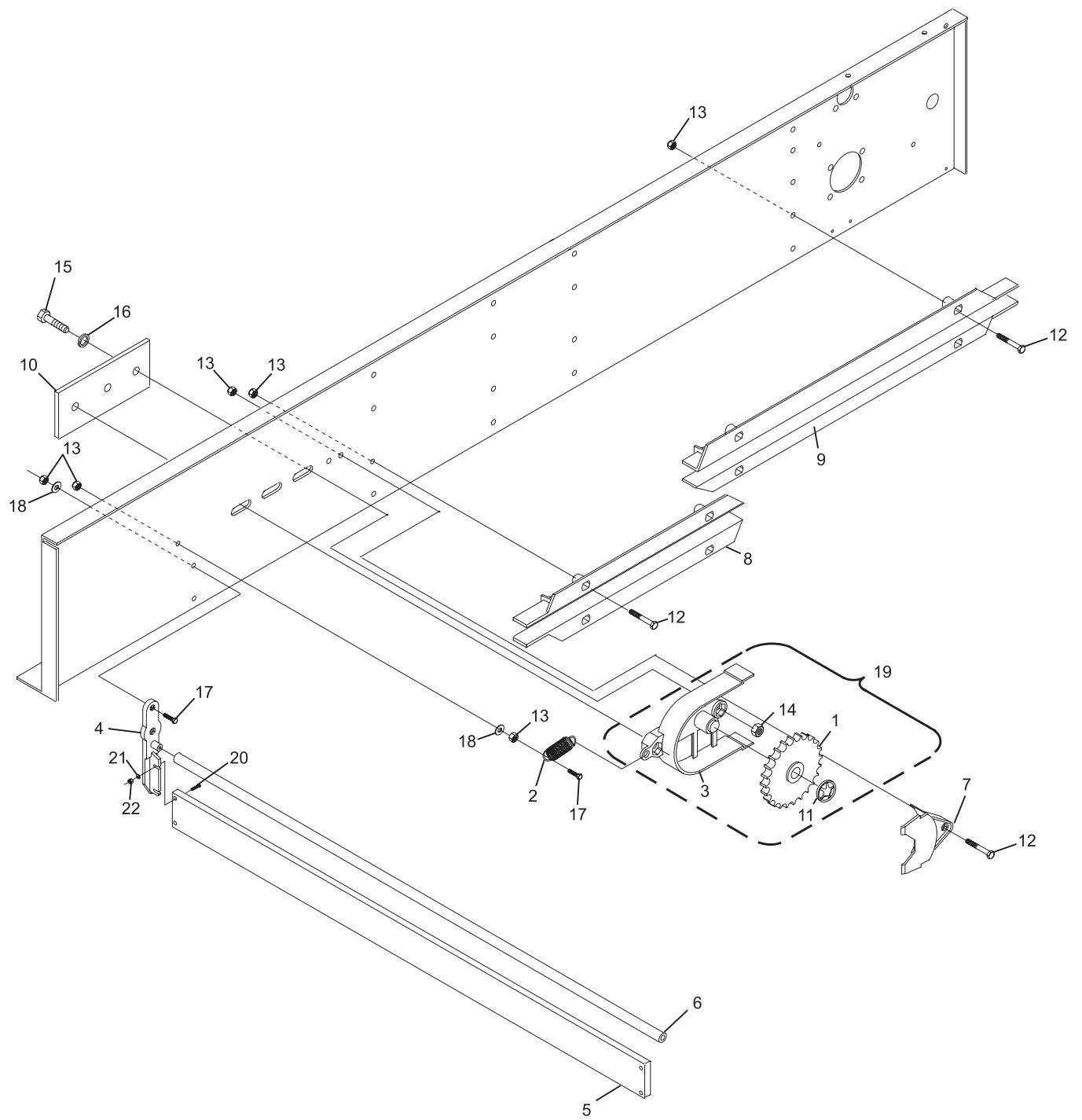
Index

No.	Part No.	Description
1.	*55-060208-003	Drive Gear
2.	55-060220-004	Drive Tension Spring
3.	*55-060419-002	Drive Chain Guard
4.	55-010412-004	Guide Bracket Support
5.	55-010556-004	Guide Bracket
6.	55-010553-004	Guide Rod
7.	55-060420-003	Drive Gear Guard
8.	55-060463-002	Short Chain Guide
9.	55-060418-002	Long Chain Guide
10.	55-060445-004	Tension Bracket
11.	*11-053483-001	Quick Lock
12.	11-051035-001	Hex Hd. Cap Screw (6 mm x 16 mm)
13.	11-051743-001	Self Locking Nut (6 mm)
14.	11-051745-001	Self Locking Nut (10 mm)
15.	11-051019-001	Hex Hd. Cap Screw (10 mm x 25 mm)
16.	11-051771-001	Lockwasher (10 mm)
17.	11-051028-001	Hex Hd. Cap Screw (6 mm x 25 mm)
18.	11-052022-001	Flat Washer (6 mm)
19.	**55-060492-009	Drive Chain Guard Assembly
20.	11-052206-001	Hex Hd. Cap Screw (4 mm x 25 mm)
21.	11-052021-001	Flat Washer (4 mm)
22.	11-051741-001	Self Locking Nut (4 mm)

** Not sold separately - order index number 19.*

*** Includes index nos. 1, 3, 11, and 14.*

Chain Drive Assembly



Chain Drive Assembly

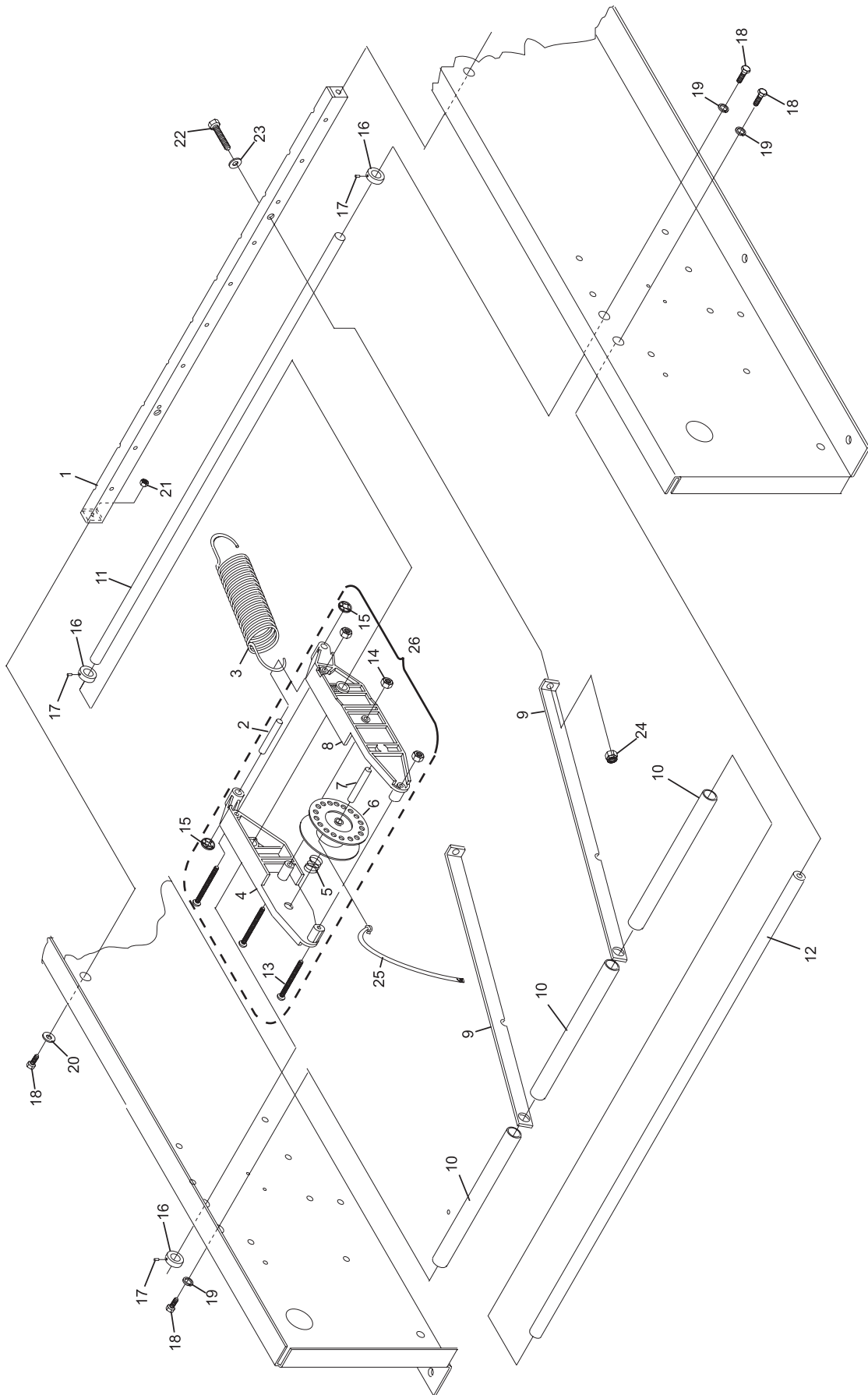
Index

No.	Part No.	Description
1.	55-050658-003	Spring Support
2.	*55-050639-004	Spring Hook
3.	55-050712-004	Tension Spring (standard)
	55-050635-004	Tension Spring (extra strong)
4.	*55-050621-003	Reel Support Bracket (left-hand)
5.	*55-050634-004	Torsion Spring
6.	*55-050633-003	Reel
7.	*55-050637-004	Reel Shaft
8.	*55-050622-003	Reel Support Bracket (right-hand)
9.	55-050607-003	Support Arm
10.	55-050994-004	Rod Support Cover
11.	55-050652-004	String Lever Shaft
12.	55-050375-004	Reel Support Rod
13.	*11-051083-001	Screw (6 mm x 60 mm)
14.	11-051743-001	Nut (6 mm)
15.	11-053478-001	Quick Lock
16.	11-053616-001	Stop Collar
17.	47-861023-001	Set Screw (M6 x 6 mm), (Qty. 20)
18.	11-051005-001	Hex Hd. Cap Screw (10 mm x 20 mm)
19.	11-051771-001	Lockwasher (10 mm)
20.	11-052018-001	Flat Washer (10 mm)
21.	11-051745-001	Self Locking Nut (10 mm)
22.	11-051038-001	Hex Hd. Cap Screw (8 mm x 16 mm)
23.	11-052003-001	Flat Washer (8 mm)
24.	11-051744-001	Self Locking Nut (8 mm)
25.	75-110012-000	Roll of String (50 m) - black
26.	**55-050620-009	String Lever Reel Assembly

* Not sold separately - order index number 26.

** Includes index nos. 2, 4, 5, 6, 7, 8, 13, 14, and 15.

String Lever Assembly



String Lever Assembly

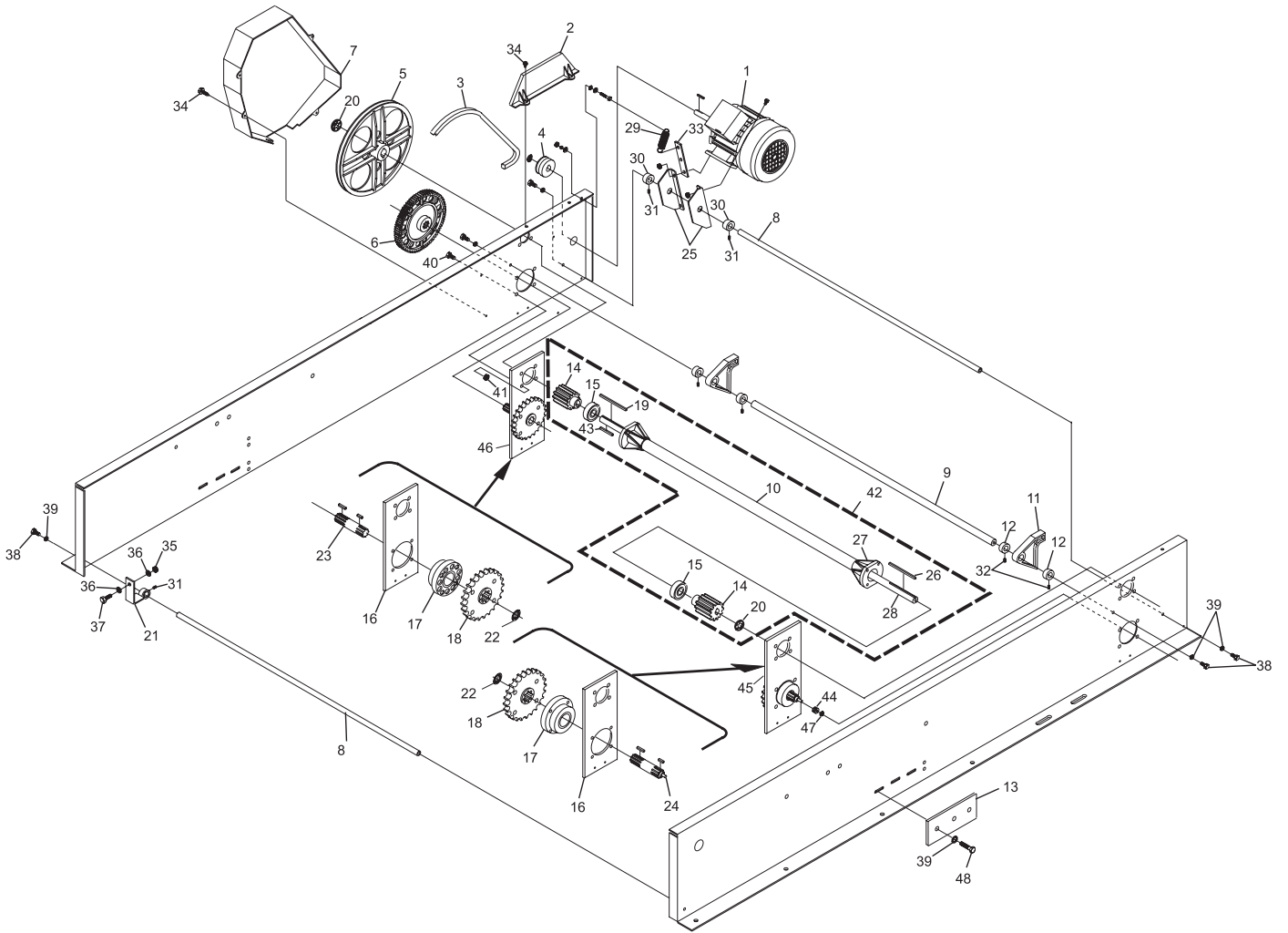
Index

No.	Part No.	Description
1.	99-040316-002 99-040376-009	1/2 HP Drive Motor, (380V), Non-UL, motor only 1/2 HP Drive Motor w/Thermal Protection, (208V), UL, motor only
2.	55-010186-003	Inside Cover
3.	11-053908-000	V-Belt
4.	55-011024-004	Motor Pulley
5.	99-070162-002	Drive Pulley
6.	55-020402-003	1:1 Gear
7.	55-010187-001	Outside Drive Cover
8.	55-050652-004	Motor Support Rod
9.	55-060237-004	Cross Shaft
10.	*55-020415-004	Cam Shaft Housing
11.	55-060218-004	Cam
12.	11-053619-001	Stop Collar
13.	55-060207-003	Tension Bracket
14.	*55-020308-004	Spur Gear
15.	11-430007-000	Bearing
16.	**55-020395-003	Bearing Bracket (not sold separately, see below)
17.	**55-020393-003	Bearing Retainer (not sold separately, see below)
18.	55-020405-003	Drive Gear (not sold separately, see below)
19.	*11-053506-000	Key (5 x 5 x 75 mm)
20.	11-053484-001	Star Lock
21.	55-010071-004	Bracket (left-hand)
22.	11-051856-000	Retaining Ring (25 mm x 1.2 mm)
23.	**55-020400-002	Pinion Gear (left-hand) (not sold separately, see below)
24.	**55-020401-004	Pinion Gear (right-hand) (not sold separately, see below)
25.	55-010184-004	Motor Mount Bracket
26.	*11-053504-000	Key (5 x 5 x 45 mm) (not sold separately, see below)
27.	*55-020392-004	Cam Shaft Bearing Retainer (not sold separately, see below)
28.	*55-020414-003	Cam Shaft (not sold separately, see below)
29.	99-020163-004	Motor Tension Spring
30.	11-053616-001	Stop Collar
31.	47-861023-001	Set Screw (Qty. 20)
32.	11-053101-001	Set Screw
33.	55-010182-004	Motor Tension Strap
34.	11-054900-001	Self Tapping Screw (4.8 mm x 13 mm)
35.	11-051743-001	Self Locking Nut (6 mm)
36.	11-052008-001	Flat Washer (6 mm)
37.	11-051018-001	Hex Hd. Cap Screw (6 mm x 20 mm)
38.	11-051005-001	Hex Hd. Cap Screw (10 mm x 20 mm)
39.	11-051771-001	Lockwasher (10 mm)
40.	11-051010-001	Hex Hd. Cap Screw (8 mm x 20 mm)
41.	11-051744-001	Locknut (8 mm)
42.	55-020316-009	Drive Shaft Assembly
43.	11-053505-000	Key (5 X 5 X 30 mm)
44.	55-020399-004	Gear -14 Tooth (long pit)
	55-020485-004	Gear - 16 Tooth (short pit)
45.	55-020320-009	Pinion Gear Support Assembly (right hand)
46.	55-020321-009	Pinion Gear Support Assembly (left hand)
47.	11-053481-001	Starlock (5 mm)
48.	11-051019-001	Hex Head Cap Screw (10 mm x 25 mm)

* To order these items, use index number 42 Cam Shaft Assembly Complete

** To order these items, use index number 46 for left-hand Bearing Assembly and
index number 45 for a right-hand Bearing Assembly

Main Frame Assembly



Main Frame Assembly

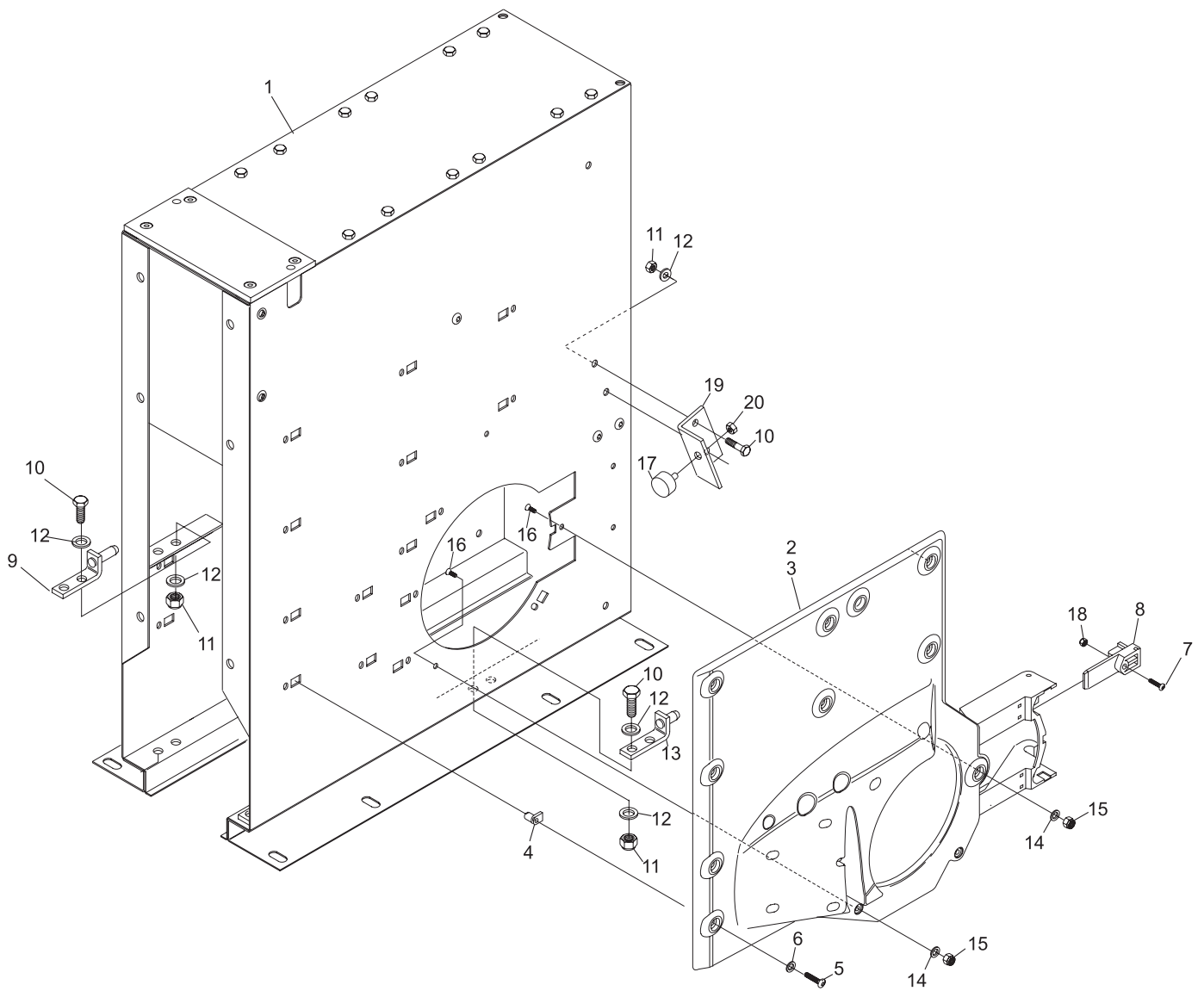
Intentionally Blank Page

Section B

Pit

Index No.	Part No.	Description
1.	55-036218-220	Ball Accelerator Box 220V (complete)
	55-036218-380	Ball Accelerator Box 380V (complete)
2.	47-035240-001	L.H. Ball Door Protector Plate - 10 pin side
3.	47-035241-001	R.H. Ball Door Protector Plate - 7 pin side (shown)
4.	11-055800-000	EJOT Plastic Fastener (Nut Plate)
5.	11-054466-000	EJOT Plastic Fastener Screw (25 mm x 60 mm)
6.	11-052008-001	Flat Washer (6.4 mm)
7.	11-054466-000	Torx Head Seft Tap Plastic Screw (K60 x 25 mm)
8.	47-035239-004	Axle Wedge
9.	47-035220-003	Front Accelerator Mount Bracket w/Pin
10.	11-051019-001	Hex Hd. Cap Screw (10 mm x 25 mm)
11.	11-051745-001	Locknut (10 mm)
12.	11-052018-001	Flat Washer (10.5 mm)
13.	47-035219-003	Rear Ball Rod Assembly Mount w/Pin
14.	11-052020-001	Flat Washer (5.3 mm)
15.	11-051742-001	Locknut (5 mm)
16.	11-052933-001	Countersunk Screw (5 mm x 12 mm)
17.	99-020434-004	Rubber Bumper (30 x 20)
18.	11-051743-001	Locknut (6 mm)
19.	47-025751-004	Stop Bracket
20.	11-051744-001	Hex Nut (8 mm)

Accelerator Box Assembly

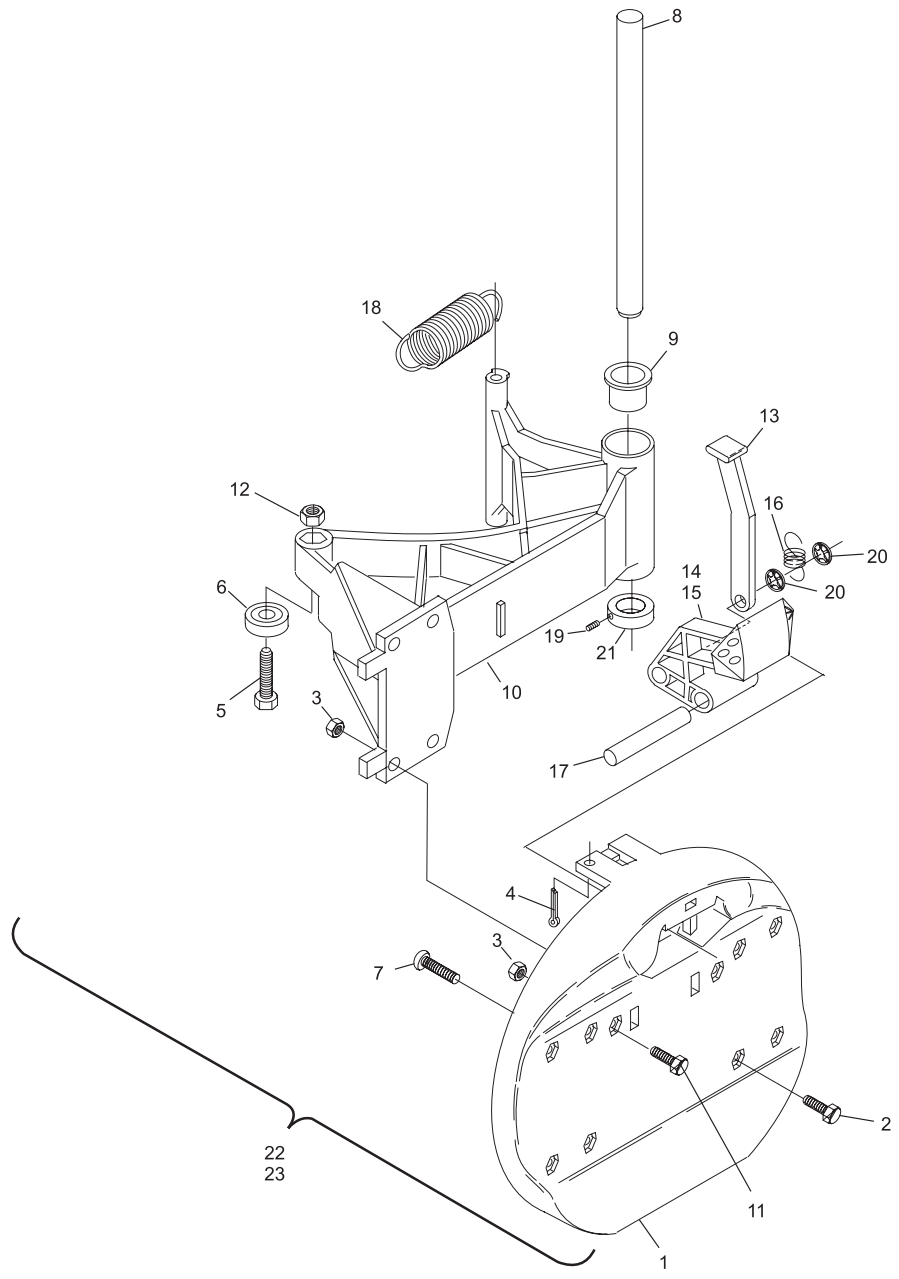


Accelerator Box Assembly

Index No.	Part No.	Description
1.	*47-031054-002	Ball Door
2.	11-051018-001	Hex Hd. Cap Screw (6 mm x 20 mm)
3.	11-051743-001	Locknut (6 mm)
4.	11-051793-001	Cotter Pin (2 mm x 16 mm)
5.	11-051067-001	Hex Hd. Cap Screw (8 mm x 35 mm)
6.	11-430046-000	Bearing
7.	11-054463-000	EJOT Self Tapping Screw (KB30 x 7 mm)
8.	47-035238-004	Ball Door Shaft
9.	47-034842-004	Bushings
10.	*47-031058-001	Arm
11.	11-051008-001	Hex Hd. Cap Screw (6 mm x 10 mm)
12.	11-051744-001	Locknut (8 mm)
13.	47-031822-004	Lever
14.	47-031056-003	L.H. Ball Door Key
15.	47-031055-003	R.H. Ball Door Key
16.	47-034767-004	Tension Spring
17.	47-031091-004	Shaft
18.	47-030276-004	Ball Door Arm Tension Spring
19.	11-052807-001	Set Screw (6 mm x 12 mm)
20.	11-053477-001	Speed Nut (7 mm)
21.	11-053616-001	Stop Collar (15 mm)
22.	47-033556-009	R.H. Ball Door with Arm Complete
23.	47-033555-009	L.H. Ball Door with Arm Complete

* Index Nos. 1 and 10 are inverted for use in both left-hand and right-hand machines.

Ball Door/Lock Assembly



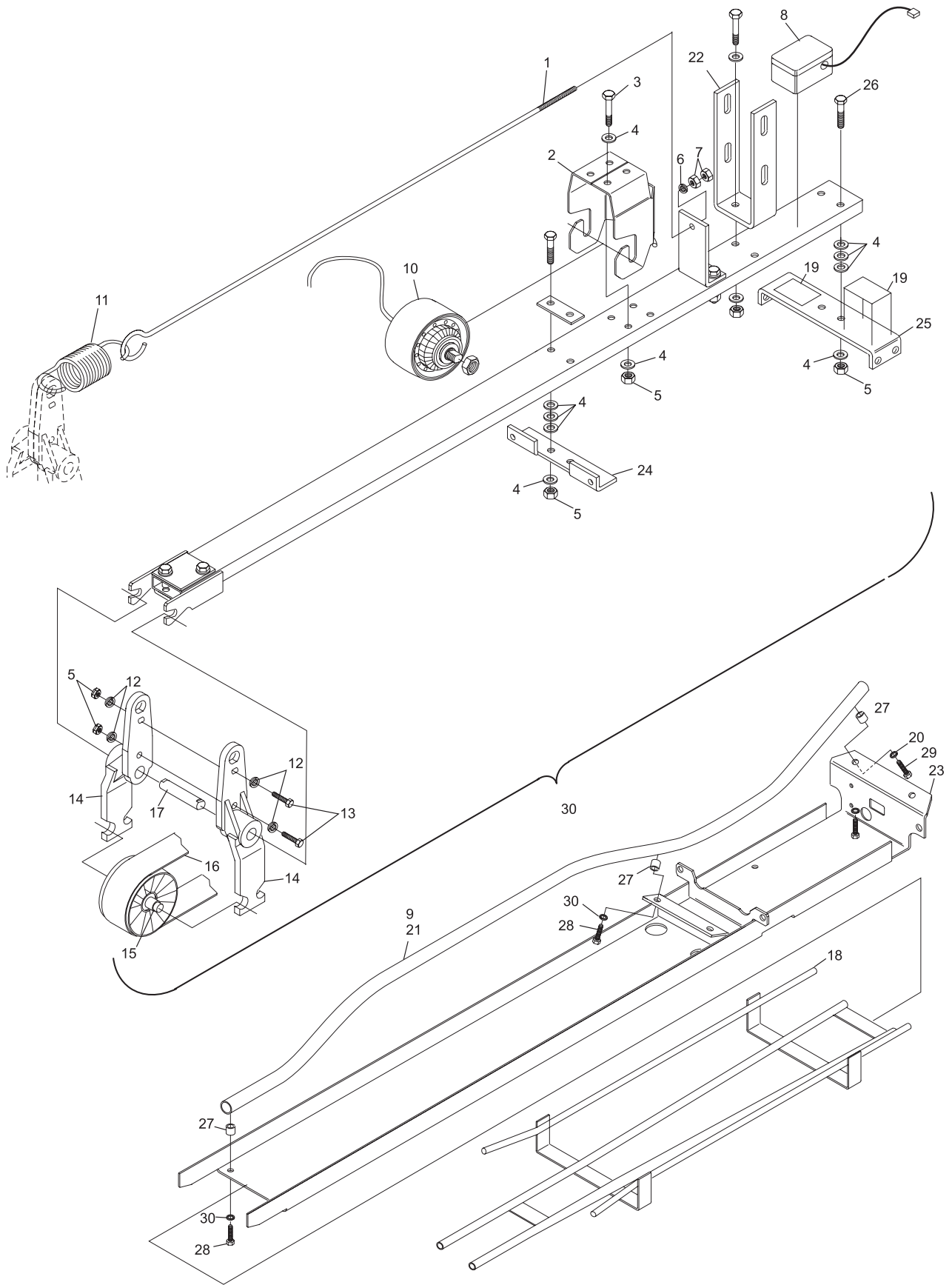
Ball Door/Lock Assembly

Index No.	Part No.	Description
1.	47-035236-003	Tension Rod
2.	47-035226-002	Motor Support Bracket
3.	11-051071-000	Hex Head Cap Screw (10 mm x 60 mm)
4.	11-052050-001	Flat Washer (10.5)
5.	11-051745-001	Locknut (10 mm)
6.	11-052019-001	Flat Washer (8.4)
7.	11-051704-001	Nut (8 mm)
8.	47-035600-004	Terminal Box w/Cable
9.	47-862787-000	Protective Cover - Pkg. of 4
10.	99-030363-004	Accelerator Motor/Rear Drive Drum Assembly w/Cable (208/230/380 VAC)
11.	47-031248-004	Tension Spring
12.	11-052018-001	Flat Washer (10.5 mm)
13.	11-051020-001	Hex Head Screw (M8 x 150 mm)
14.	47-031454-002	Pivot Lever
15.	47-035232-002	Front Driving Drum Complete - spacers not included
	*47-035234-004	Spacer - needed when replacing Driving Drum Complete (2 each)
16.	10-635127-000	Flat Belt
17.	47-035230-004	Axle
18.	53-520634-001	Metric Transition Track (GS Accelerators to Return Track)
19.	53-400067-000	Safety Decal
20.	11-051771-001	Lockwasher (10 mm)
21.	47-035303-009	S.O. Ball Rod w/Cover
22.	47-035225-003	Bracket (locking mechanism)
23.	47-035211-001	Bottom Accelerator Plate
24.	47-035229-002	Front Bracket
25.	47-035228-003	Rear Bracket
26.	11-051093-001	Mounting Screw (10 mm x 75 mm)
27.	47-035214-004	Spacer
28.	11-051045-001	Hex Hd. Cap Screw (10 mm x 30 mm)
29.	11-051078-001	Hex Hd. Cap Screw (10 mm x 40 mm)
30.	55-036217-220	S.O. Stringpin Ball Accelerator 220V Assembly
	55-036217-380	S.O. Stringpin Ball Accelerator 380V Assembly

S.O. = Special Order

* = Not Illustrated

Ball Accelerator



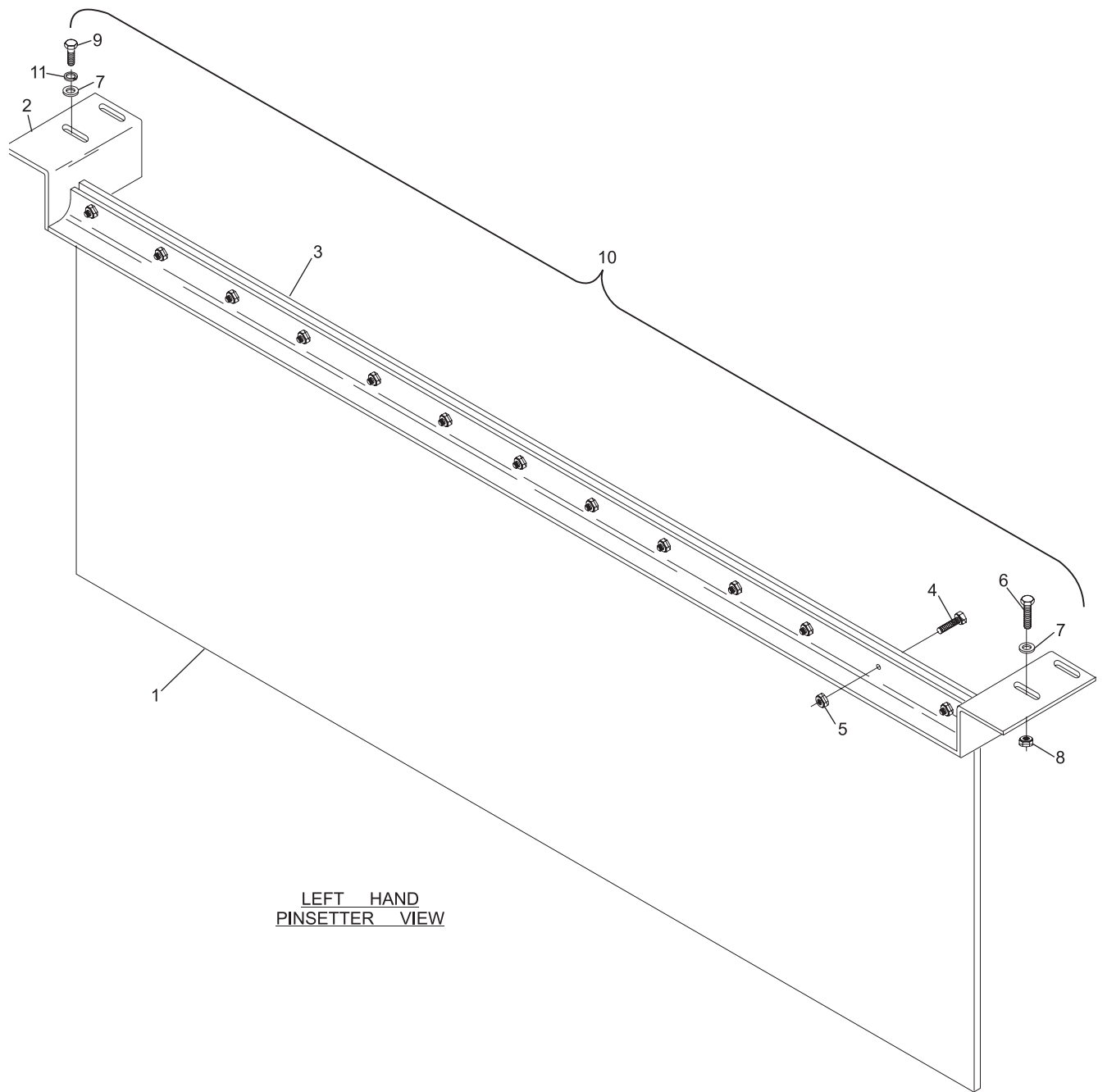
Ball Accelerator

Index

No.	Part No.	Description
1.	47-021084-004	Curtain
2.	47-021088-002	Pit Curtain Holder
3.	N.A.	Pit Curtain Support Bracket
4.	11-051533-001	Socket Hd. Cap Screw (8 mm x 25 mm)
5.	11-051744-001	Locknut (8 mm)
6.	11-051015-001	Hex Hd. Cap Screw (8 mm x 25 mm)
7.	11-052006-001	Flat Washer (8.4 mm)
8.	11-051745-001	Locknut (10 mm)
9.	11-051010-001	Hex Head Cap Screw (8 mm x 20 mm)
10.	47-021196-002	Pit Curtain Assembly Complete
11.	11-051770-001	Lockwasher (8 mm)

N.A. = No Longer Ava

**Pit Curtain Assembly
(Short Pit)**



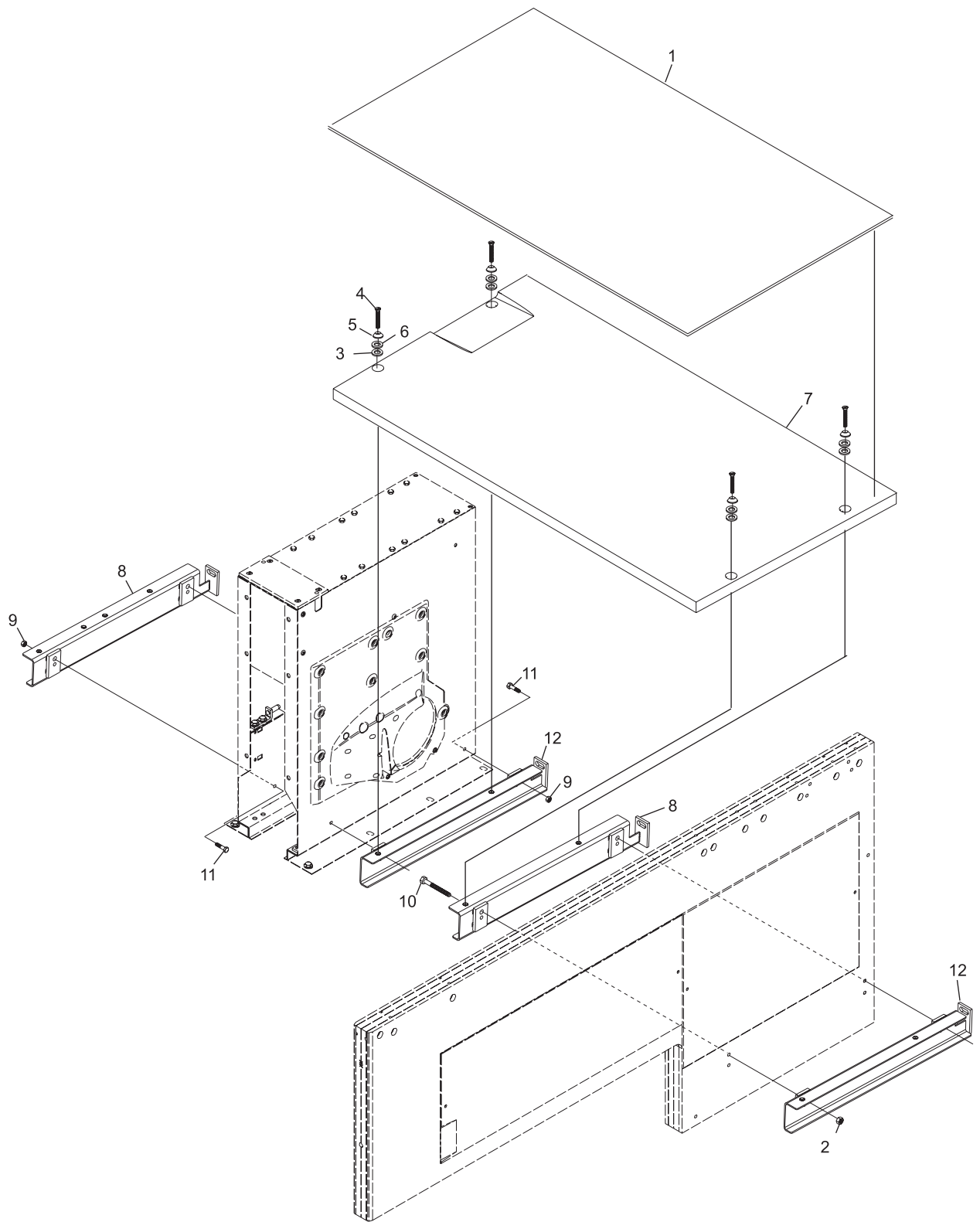
LEFT HAND
PINSETTER VIEW

Pit Curtain Assembly (Short Pit)

Index

No.	Part No.	Description
1.	55-273500-000	Pit Carpet (glue down)
2.	11-051745-001	Hex Nut (10 mm)
3.	47-024741-004	Flat Washer (10.5 mm)
4.	11-052929-000	Slted. Pan Hd. Machine Screw (10 mm x 50 mm)
5.	47-024740-004	Finishing Washer ((5.3 mm x 28 mm x 10.2 mm)
6.	47-024739-004	Rubber Washer (3 mm x 28 mm x 10 mm)
7.	55-083124-000	Right Hand Pit Board Left Hand Pit Board
8.	55-083122-000	Right Hand Side Frame
9.	11-051970-000	Hex Nut (10 mm)
10.	11-051569-009	Hex Head Caps Screw (10 mm x 120 mm)
11.	11-051045-000	Hex Head Caps Screw (10 mm x 30 mm)
12.	55-083123-000	Left Hand Side Frame
13.	*55-273501-000	Glue (7 Kg Bucket) used to adhere carpet to pit board
14.	*55-273502-000	Notch Trowel

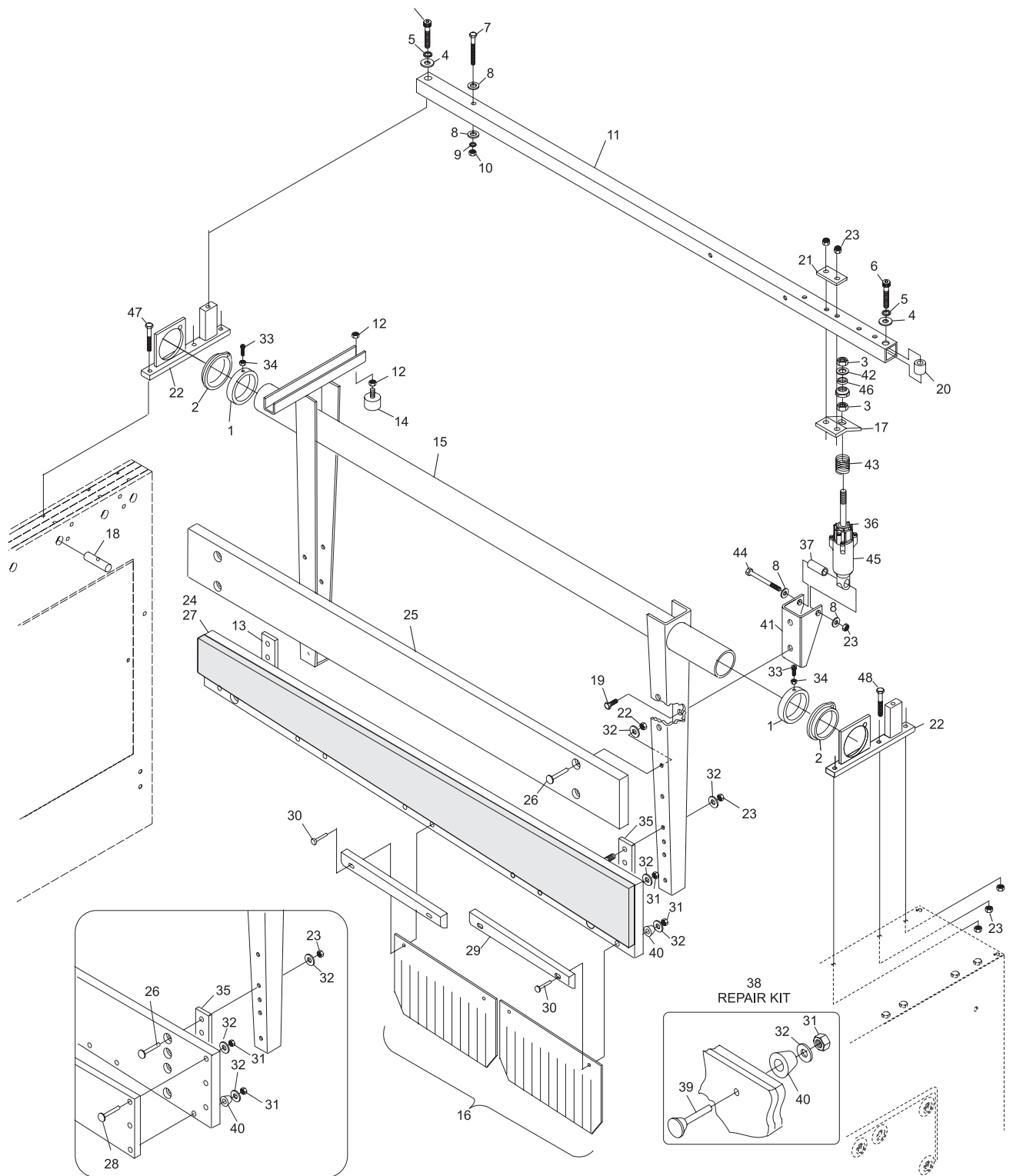
* Not Illustrated



**Pit
(Short Pit)**

Index			Index		
No.	Part No.	Description	No.	Part No.	Description
1.	47-020953-004	Stop Collar	37.	47-021112-004	Bushing
2.	99-010108-004	Bearing	38.	47-274281-009	Ball Cushion Repair Kit
3.	11-051706-001	Hex Nut (12 mm)	39.	47-024276-004	Rubber Head Screws
4.	47-861010-001	Flat Washer (13 mm) Pkg. of 20	40.	47-023660-004	Cap
5.	11-051772-001	Lockwasher (12 mm)	41.	47-025637-003	Bracket
6.	11-051564-009	Socket Hd. Cap Screw (12 mm x 60 mm)	42.	11-052015-001	Flat Washer (13 mm)
7.	11-051012-001	Hex Hd. Cap Screw (10 mm x 70 mm)	43.	47-071602-004	Compression Spring
8.	11-052050-001	Flat Washer (10.5 mm)	44.	11-051071-001	Hex Head Cap Screw (10 mm x 60 mm)
9.	11-051771-001	Lockwasher (10 mm)	45.	99-026121-000	Ball Cushion Hydraulic Assembly
10.	11-051703-001	Hex Nut (10 mm)	46.	47-021108-004	Spacer
11.	47-020948-003	Transverse Bar	47.	11-051075-001	Hex head Cap Screw (8 mm x 70 mm)
12.	47-024077-003	Transverse Bar (short pit)	48.	11-051021-001	Hex Head Cap Screw (10 mm x 35 mm)
13.	11-051704-001	Hex Nut (8 mm)			
14.	47-021489-004	Short Spacer			
15.	11-053578-000	Rubber Bumper - metric (8 mm)			
16.	47-025639-009	Ball Cushion Frame w/Bracket (for both R.H. and L.H. machines)			
17.	47-274888-009	Cushion Flap Kit Complete			
18.	N.A.	Hydraulic Mounting Plate			
19.	84-200073-000	Barrel Nut			
20.	11-051058-001	Hex Hd. Cap Screw (10 mm x 55 mm)			
21.	47-021110-004	Spacer			
22.	47-021120-004	Mounting Plate			
23.	47-020947-003	Bearing Block			
24.	11-051745-001	Locknut (10 mm)			
25.	47-025045-009	R.H. Ball Cushion Board w/Facing (even lane)			
26.	47-021872-003	Top Ball Cushion Board			
27.	11-052618-001	Carriage Bolt (10 mm x 50 mm)			
28.	47-025044-009	L.H. Ball Cushion Board w/Facing (odd lane)			
29.	11-052603-001	Carriage Bolt (8 mm x 45 mm)			
30.	47-026102-009	AP Impact Strips (Qty. 2)			
31.	47-021010-003	Impact Strip (Qty. 1)			
32.	11-051055-001	Hex Hd. Cap Screw (8 mm x 60 mm)			
33.	11-051744-001	Locknut (8 mm)			
34.	11-052018-001	Flat Washer (10.5 mm)			
35.	11-051515-001	Socket Hd. Cap Screw (6 mm x 18 mm)			
36.	11-051702-001	Hex Nut (6 mm)			
37.	47-021488-004	Long Spacer			
38.	11-055351-000	Sealing Ring			

Ball Cushion Assembly (Short Pit)

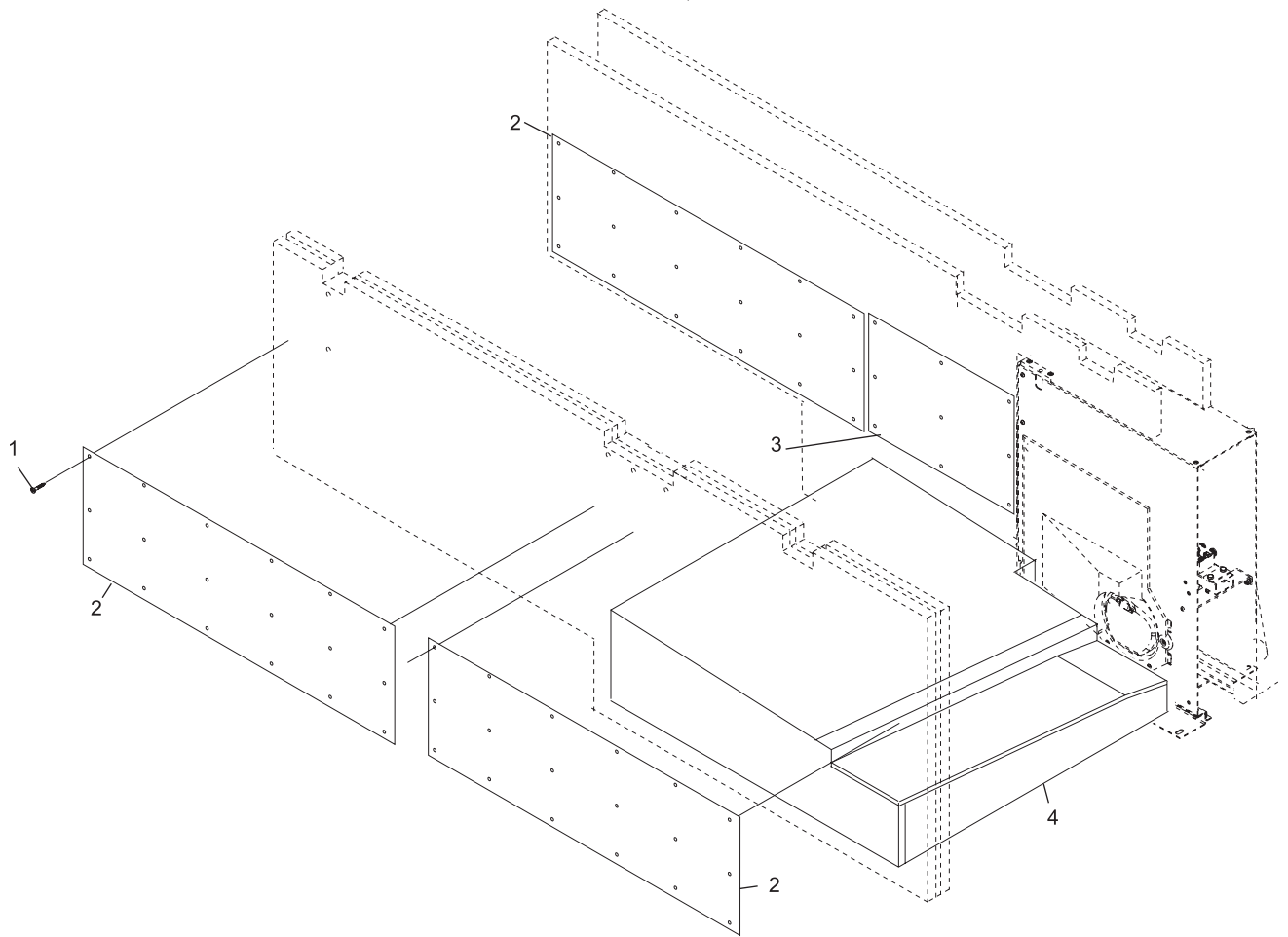


Ball Cushion Assembly (Short Pit)

Index

No.	Part No.	Description
1.	11-081209-000	Flat Head Self Tapping Robertson Screw (10 x 1-1/4")
2.	55-273001-003	Kickback Protector Plate (Long)
3.	55-273209-003	Kickback Protector Plate (Short)
4.	55-273200-009	Pit Assembly - right hand/even
5.	55-273201-009	Pit Assembly - left hand/odd

**Pit Assembly
(Long Pit)**



**Pit Assembly
(Long Pit)**

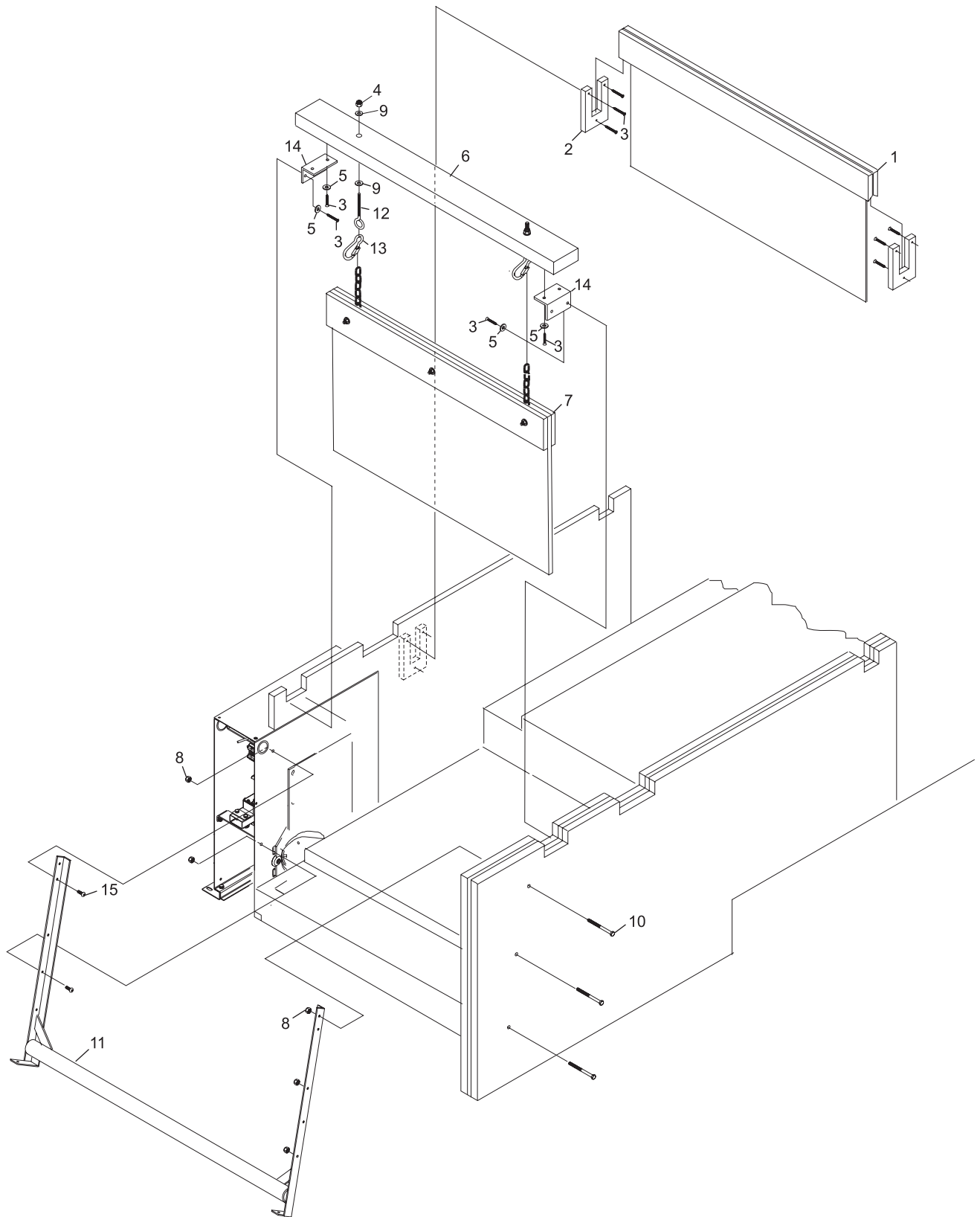
Index

No.	Part No.	Description
1.	55-273025-009	Carpet Mat
2.	55-273010-003	Carpet Mat Support
3.	11-081208-000	Robertson Screw (#10 x 2")
4.	11-051745-001	Locknut (10 mm)
5.	11-052050-001	Washer (10 mm)
6.	55-273012-003	Ball Cushion Support
7.	55-270751-009	Ball Cushion
8.	11-051744-001	Locknut (8 mm)
9.	11-052068-001	Flat Washer (10 mm)
10.	11-051017-001	Hex Head Cap Screw (8 mm x 90 mm)
11.	55-273210-009	Ball Cushion Frame
12.	*10-050009-001	Eye Bolt (10 mm x 100 mm)
13.	*11-599005-000	Carbiner Swivel
14.	*55-273012-001	"L" Profile Ball Cushion Support
15.	11-051021-001	Hex Head Cap Screw (10 mm x 35 mm)

** Items not available separately order package 55-860049-000 which includes the following:*

- (2) - 11-599005-000 Carbiner Swivel*
- (2) - 10-050009-001 Eye Bolt (10 mm x 100 mm)*
- (4) - 11-052068-001 Flat Washer (10 mm)*
- (2) - 11-05174-001 Locknut (10 mm)*
- (2) - 55-273012-001 "L" Profile Ball Cushion Bracket*

**Ball Cushion / Pit Curtain
(Long Pit)**

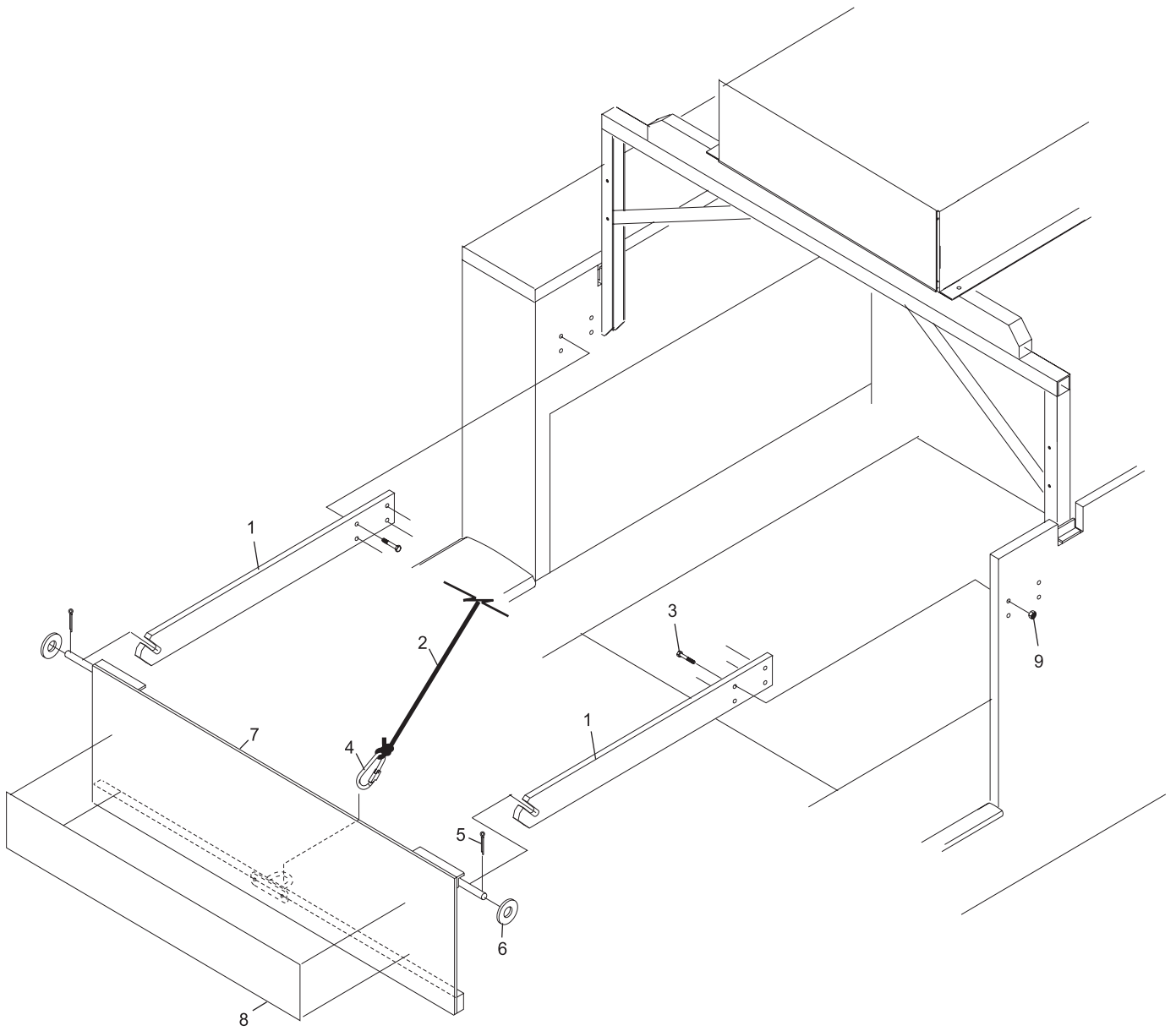


**Ball Cushion / Pit Curtain
(Long Pit)**

Index

No.	Part No.	Description
1.	55-273016-003	Gate Support Arm
2.	*75-110012-000	Roll of String - 50 Meters (black)
3.	11-081208-000	Robertson Screw 2"
4.	11-599004-000	Carbiner (rope not included)
5.	11-054301-000	Hitch Pin
6.	11-052027-001	Flat Washer
7.	55-860012-000	Front Gate Assembly
8.	55-100101-000	Front Gate Decal
9.	11-051744-001	Hex Nut (8 mm)

* Same string as used for pins.



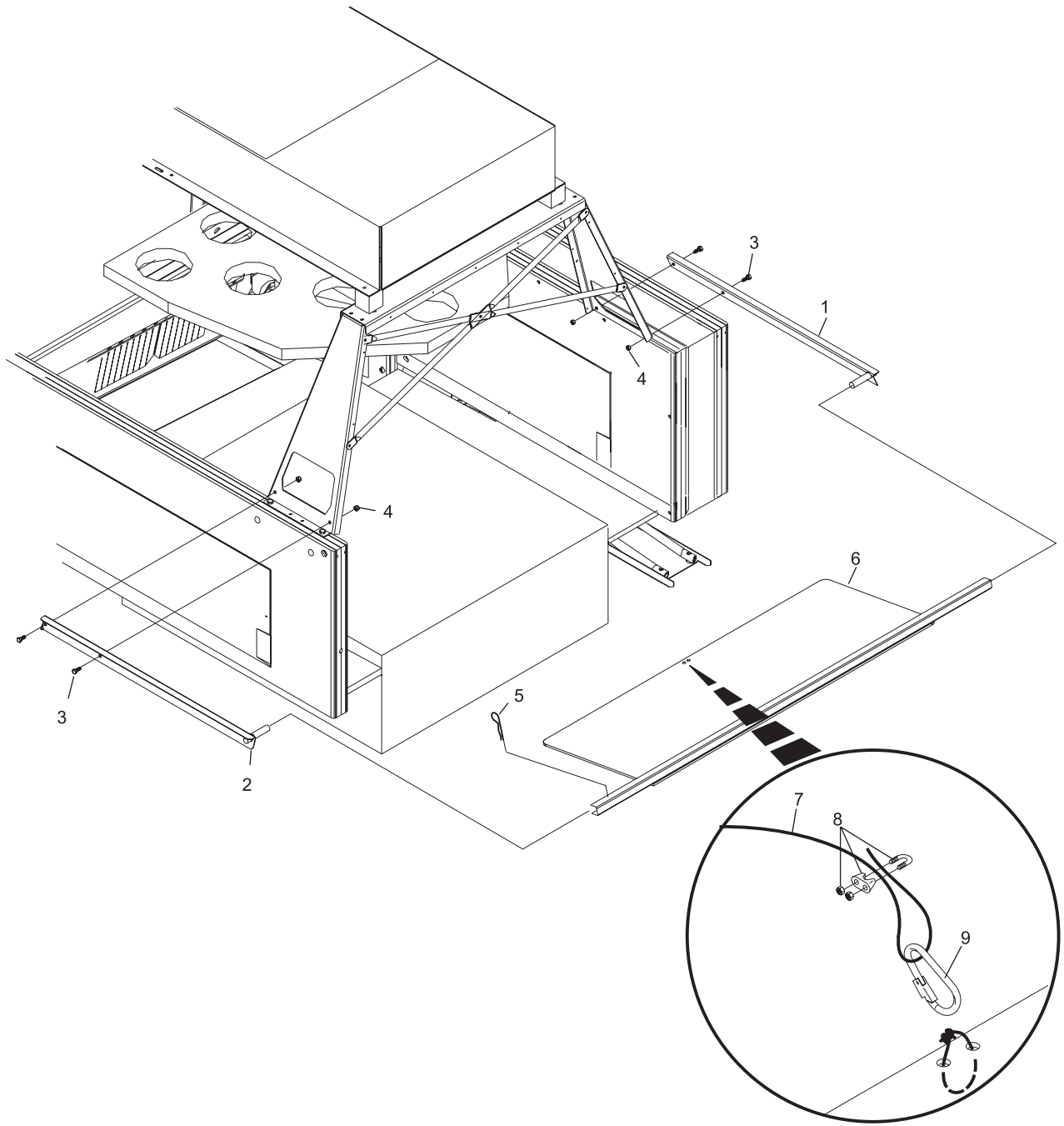
**Front Gate
(Long Pit)**

Index

No.	Part No.	Description
1.	55-083144-000	Gate Support Arm (10-pin side)
2.	55-183146-000	Gate Support Arm (7-pin side)
3.	11-051010-001	Hex Head Cap Screw (8 mm x 20 mm)
4.	11-051744-001	Hex Nut (8 mm)
5.	11-054301-000	Hitch Pin
6.	55-273027-009	Front Gate Assembly
7.	*75-110012-000	Roll of String - black (50 M)
8.		Clevis
9.	11-599004-000	Carbiner (rope not included)

* Same string as used for pins.

**Front Gate
(Short Pit)**



**Front Gate
(Short Pit)**

Intentionally Blank Page

Section C

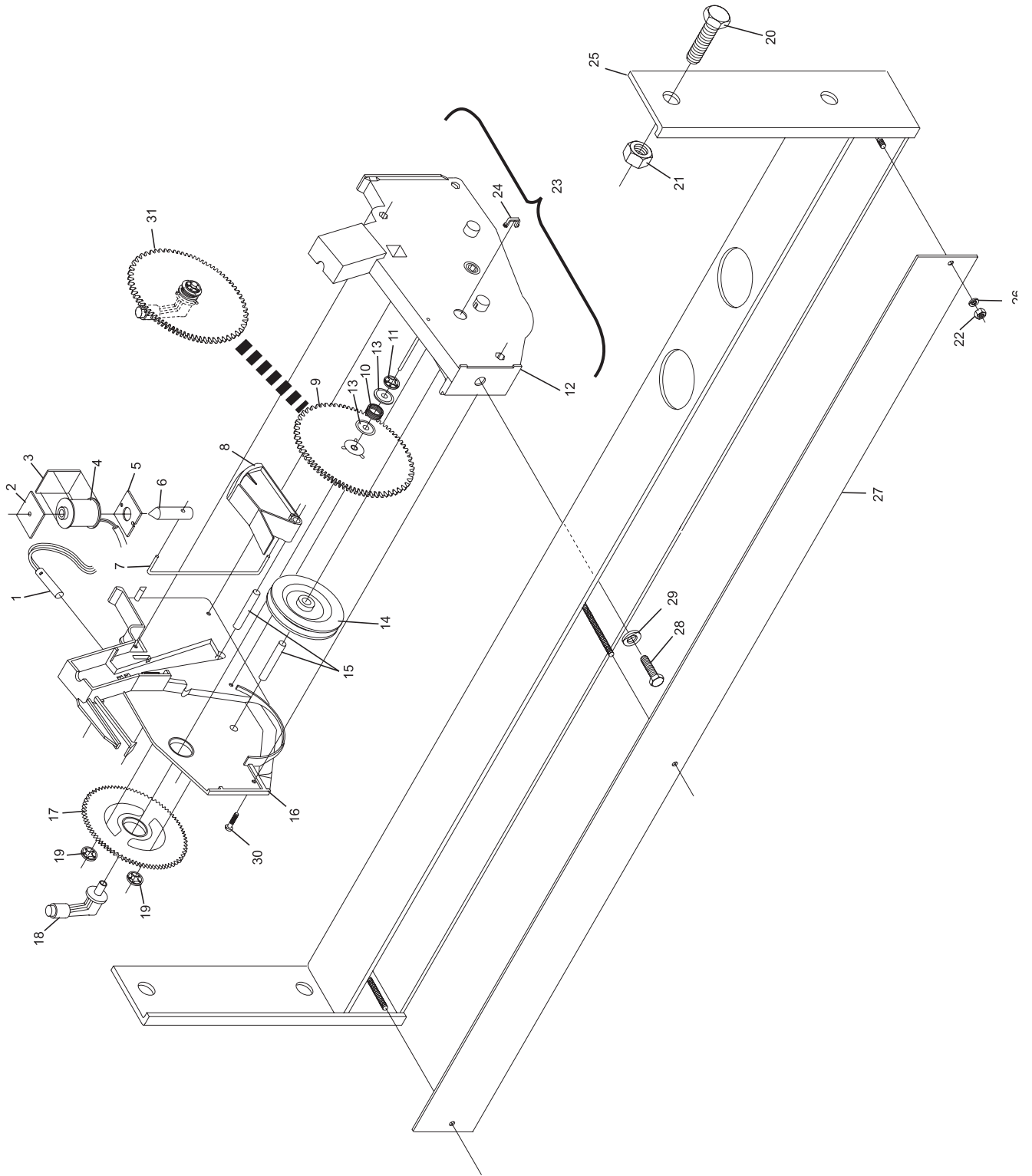
Pin System

Index

No.	Part No.	Description
1.	*47-072307-004	Reed Switch Assembly
2.	*55-040440-004	Solenoid Bracket
3.	*55-040439-004	Solenoid Bracket
4.	*55-040478-004	Pin Controller Solenoid (24V)
5.	*55-040443-004	Plunger Bracket
6.	*55-040437-004	Plunger
7.	*55-040436-004	Solenoid Link
8.	*55-040431-004	String Holder Cam
9.	*55-040432-004	Switch Gear
10.	*99-020164-004	Compression Spring
11.	*11-053477-001	Starlock Speed Nut (7 mm)
12.	*55-040427-001	Inside Pin Controller Housing
13.	*11-050201-001	Washer (8.4 x 17 x 8 mm)
14.	*55-040130-004	String Pulley
15.	*11-054004-001	Roll Pin (8 mm x 45 mm)
16.	*55-040428-001	Outside Controller Housing
17.	*55-040433-004	String Adjustment Gear
18.	*55-040434-004	Switch Activator
19.	*11-053481-001	Starlock (5 mm)
20.	*11-051005-001	Hex Head Cap Screw (10 mm x 20 mm)
21.	*11-051745-001	Self Lock Nut (10 mm)
22.	*11-051701-001	Keps Nut
23.	55-040426-009	Single Controller Assembly
24.	99-050166-004	Cable Holder
25.	55-040422-002	Control Holder
26.	11-051768-001	Lock Washer
27.	55-040554-003	Control Holder Cover
28.	11-051062-001	Hex Head Cap Screw
29.	11-051772-001	Lock Washer
30.	11-054455-000	Screw
31.	55-041093-009	Gear w/Switch Activator

** Not Sold Separately, order Index number 23.*

String Pin Controllers



String Pin Controllers

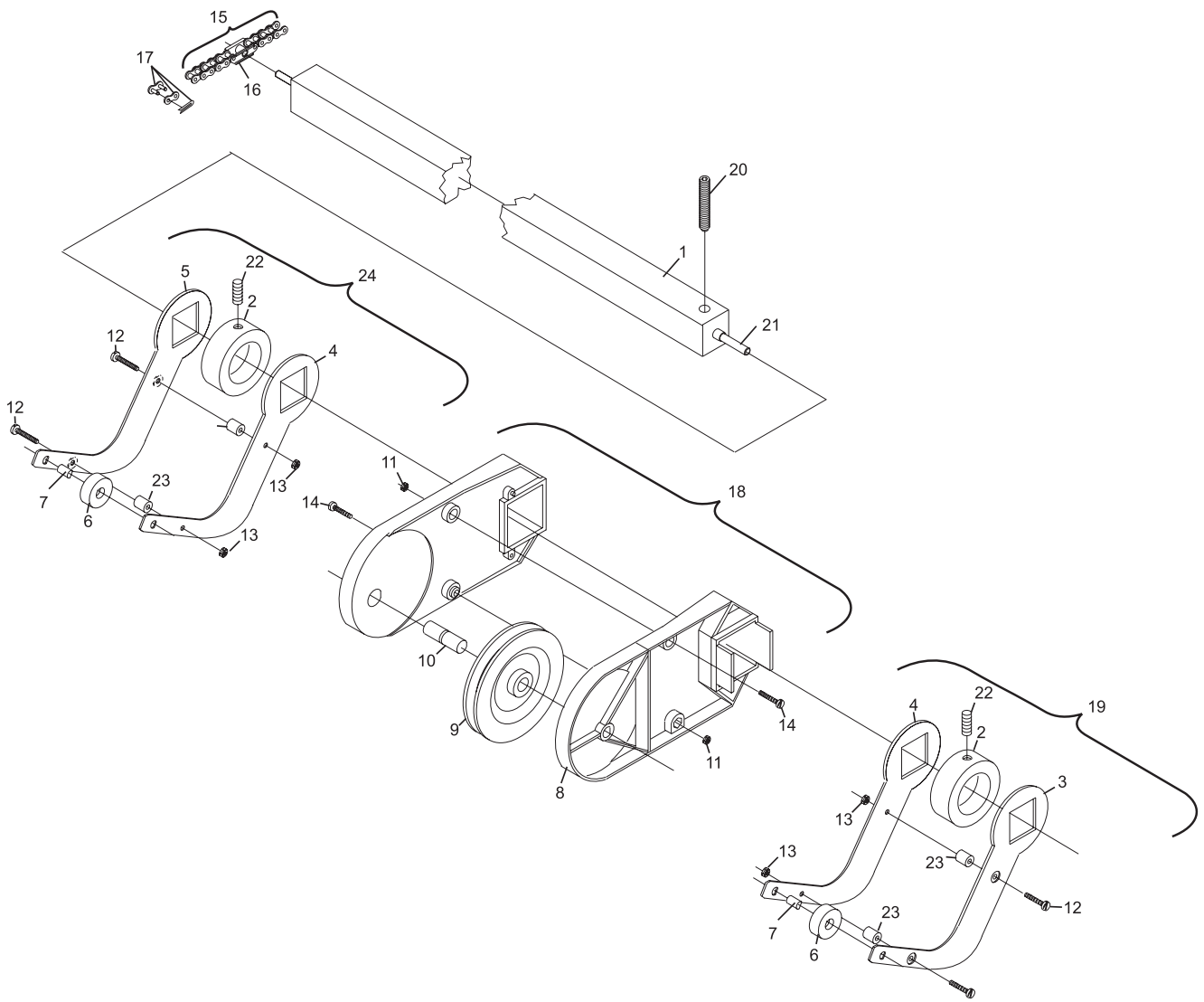
Index

No.	Part No.	Description
1.	55-030201-009	Pull Shaft w/Pins
2.	*55-030195-004	Stop Collar (metric)
3.	*55-030708-003	Lever (right-hand)
4.	*55-030197-003	Common Lever
5.	*55-030709-003	Lever (left-hand)
6.	*55-030200-004	Roller
7.	*55-030199-004	Roller Axel
8.	**55-030196-003	Return Lever Housing (only one side)
9.	**55-030408-004	String Pulley
10.	**55-030404-004	String Pulley Axel
11.	**11-051742-001	Nut (5 mm)
12.	*11-052451-001	Screw (6 mm x 25 mm)
13.	*11-051743-001	Nut (6 mm)
14.	**11-052217-001	Screw (5 mm x 25 mm)
15.	55-060240-004	Chain Assembly (short machine) Complete
16.	55-060212-003	Special Link
17.	11-600500-000	Master Link
18.	55-030202-009	Return Lever Housing Assembly (includes index nos. 8, 9, 10, 11, and 14)
19.	55-030204-009	Lever Assembly Complete (right-hand, includes index nos. 2, 3, 4, 6, 7, 12, 13 and 22)
20.	11-053101-001	Metric Socket Head Screw (6 mm x 8 mm)
21.	55-030193-004	Pin
22.	11-053105-001	Set Screw
23.	*55-030198-004	Spacer
24.	55-030205-009	Lever Assembly (left-hand, includes index nos. 2, 4, 5, 6, 7, 12, 13, 22 and 23)

* Not sold separately - order item #19 or #24 .

** Not sold separately - order item #18.

Return Lever Assembly



Return Lever Assembly

Index

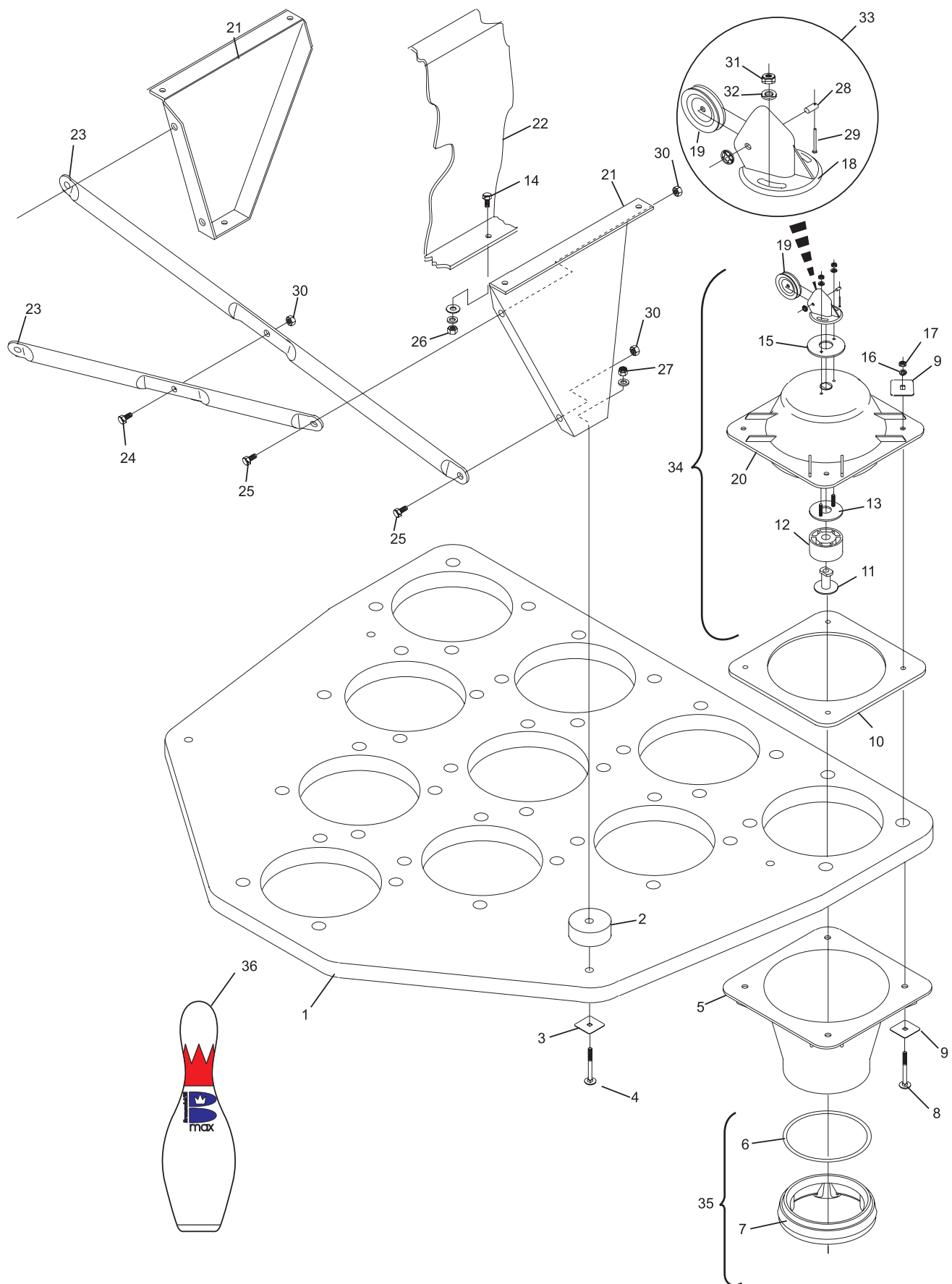
No.	Part No.	Description
1.	55-082630-001	Setting Platform
2.	55-080383-004	Vibration Mount
3.	55-082531-004	Square Washer
4.	11-052618-001	Carriage Bolt (10 mm x 50 mm)
5.	55-082134-001	Lower Centering Guide Housing
6.	*55-082136-004	Centering Guide Ring
7.	*55-082135-003	Centering Guide
8.	11-052617-001	Screw (8 mm x 70 mm)
9.	55-082608-004	Square Washer
10.	55-080347-002	Centering Guide Mount Plate
11.	**55-082609-004	Pin Head Stop Support
12.	**55-082606-004	Pin Head Stop
13.	**55-082280-004	Pin Head Mounting Plate
14.	11-051005-001	Bolt (10 mm x 20 mm)
15.	**55-082281-004	Pin Head Nut Plate
16.	**11-051170-001	Washer (8 mm)
17.	11-051704-001	Nut (8 mm)
18.	**55-082279-003	String Pulley Housing
19.	55-030408-004	String Idler Pulley
20.	**55-082081-001	Upper Centering Guide Housing
21.	55-081000-002	Platform Support Brace
22.	55-081031-001	Right Side Frame
23.	55-080239-003	Cross Support Brace
24.	11-051010-001	Screw (8 mm x 20)
25.	11-051038-001	Screw (8 mm x 16)
26.	11-051745-001	Locknut (10 mm)
27.	11-051703-001	Nut (10 mm)
28.	***55-082031-004	Idler Pulley Shaft
29.	***55-080713-004	Screw (2 mm x 40 mm)
30.	11-051744-001	Self Locking Nut (8 mm)
31.	11-051743-001	Self Locking Nut (6 mm)
32.	11-052008-001	Flat Washer (6 mm), (Qty. 20)
33.	55-082270-009	String Pulley Housing Assembly Complete (includes index nos. 18, 28, 29, 31, and 32)
34.	55-082085-009	Upper Centering Guide Housing for pins #2 - #10 (includes index nos. 9, 11, 12, 13, 15, 16, 17, 19, and 20)
	55-082088-009	Upper Centering Guide Housing for pin #1 (includes index nos. 9, 11, 12, 13, 15, 16, 17, 19, and 20)
35.	55-082138-009	Centering Guide Ring Assembly (includes index nos. 6 and 7)
36.	63-861169-000	Max Crown GID, Single Pin - Drilled
	63-861169-167	Max Crown GID, Set - Drilled
	63-861170-000	Max Red Crown, Single Pin - Drilled
	63-861170-167	Max Red Crown, Set - Drilled

* Not sold separately - order index number 35.

** Not sold separately - order index number 34.

*** Not sold separately - order index number 33.

Setting Platform Assembly



Setting Platform Assembly

Intentionally Blank Page

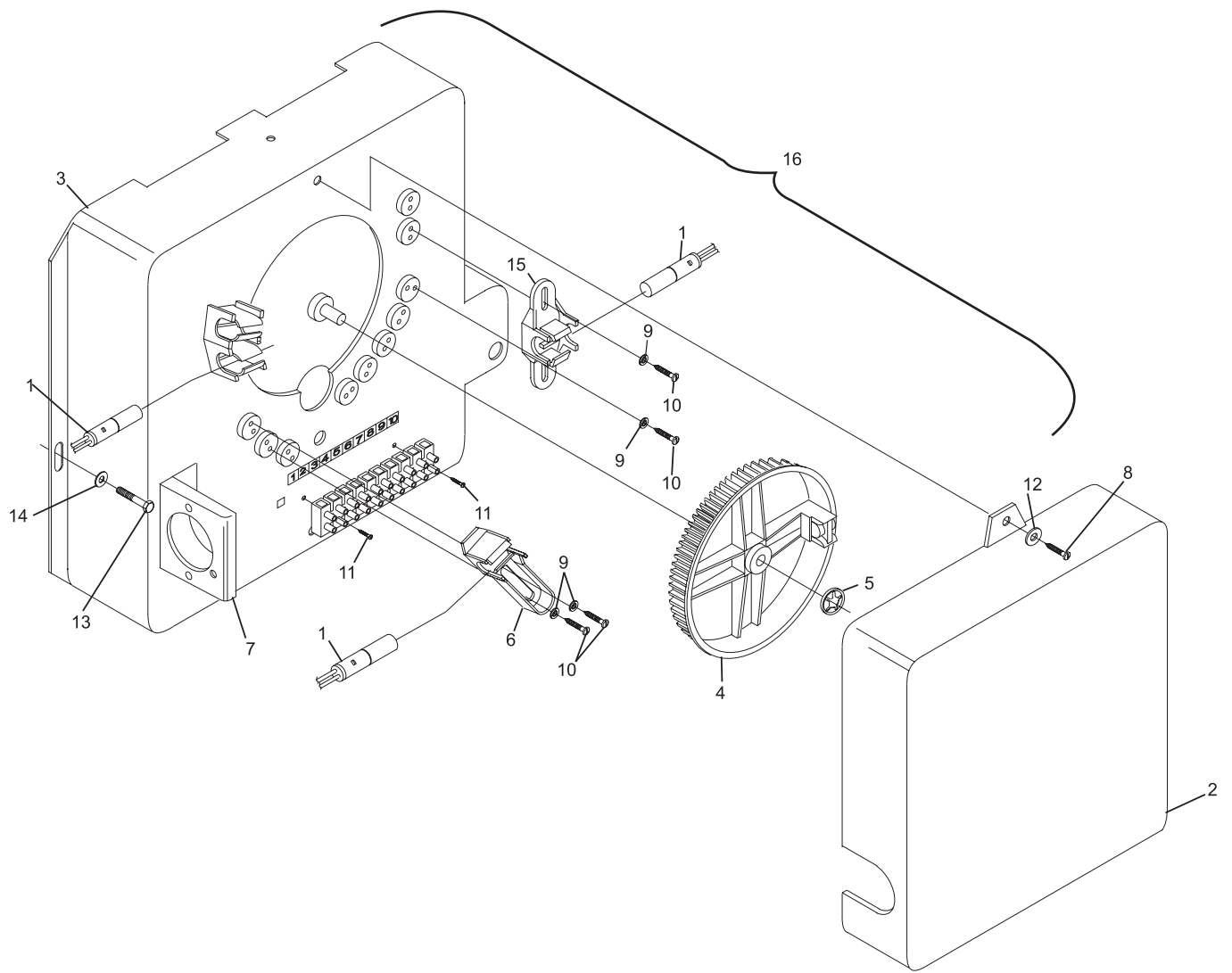
Section D

Electronics

No.	Index Part No.	Description
1.	47-072307-004	Cam Switch (Reed)
2.	55-070482-002	Cluster Cover
3.	*55-070481-002	Cluster Housing
4.	*55-071112-009	Cluster Gear 98 w/Magnet
5.	*11-053478-001	Starlock (8 mm)
6.	*99-050160-004	Switch Holder
7.	*99-050157-002	Amphenol Housing
8.	11-054900-001	Self Tapping Screw (4.8 mm x 13 mm)
9.	*11-052025-001	Flat Washer (4.3 mm x 9.8 mm)
10.	*11-053203-001	Pan Hd. Screw (4.2 x 16 mm)
11.	*11-053206-001	Pan Hd. Screw (2.9 mm x 19 mm)
12.	11-052005-001	Flat Washer (5.3 mm x 10 mm x 1 mm)
13.	*11-051035-001	Hex Hd. Cap Screw (6 mm x 16 mm)
14.	*11-052022-001	Flat Washer (6 mm)
15.	*99-050160-004	Switch Holder
16.	55-070471-009	Cluster Housing Assembly Complete (includes all index nos. except 2, 8, and 12)

* *Not sold separately - order index number 16.*

Switch Cluster

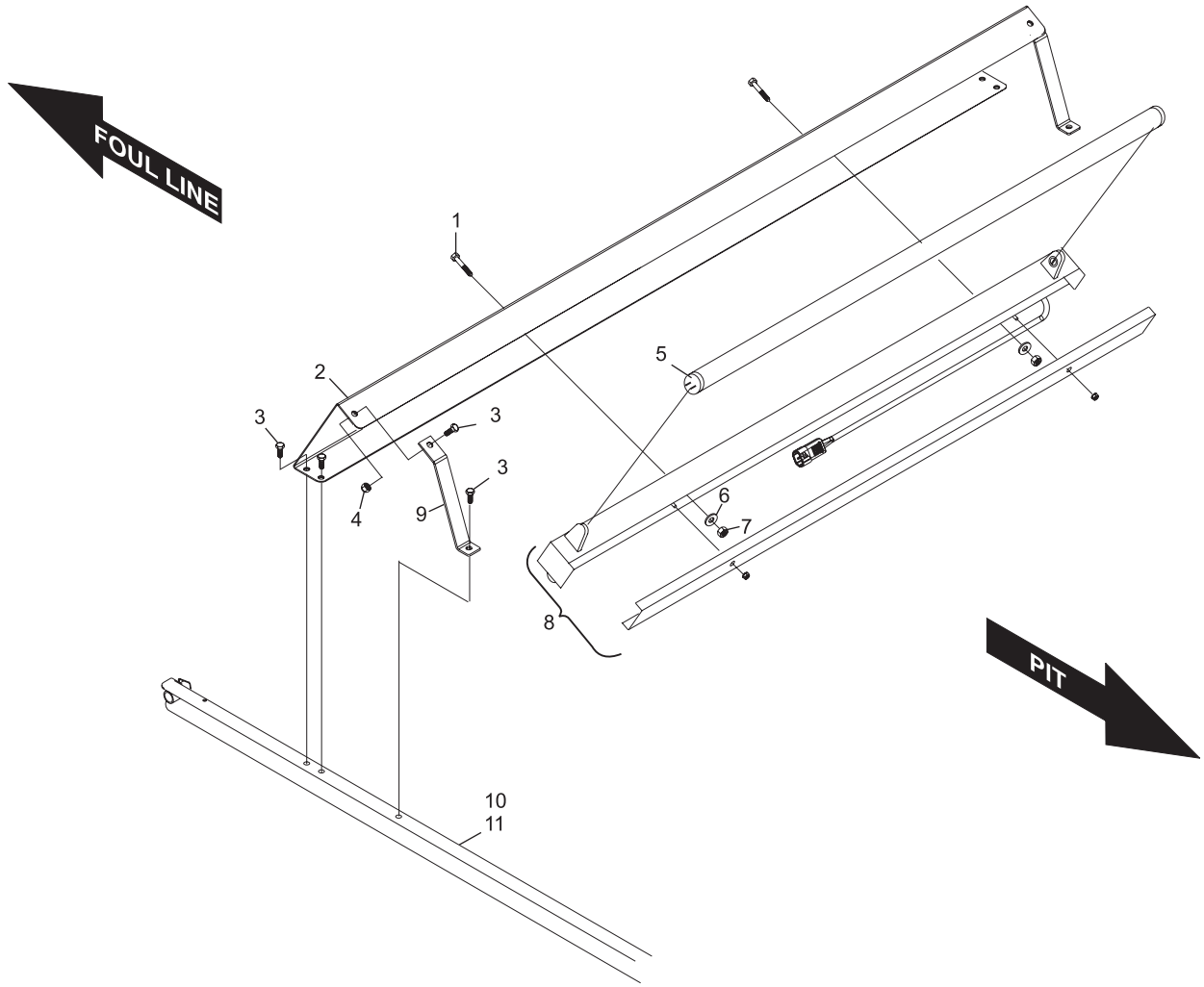


Switch Cluster

No.	Index Part No.	Description
1.	11-051001-001	M6 x 12 mm Hex Head Cap Screw
2.	55-083109-000	Light Mount Plate
3.	11-051010-001	M8 x 20 mm Hex Head Cap Screw
4.	55-051744-001	M8 Hex Nut
5.	47-203152-000	Bulb (flourescent white)
6.	11-052023-001	M6 Washer
7.	11-051743-001	M6 Hex Nut
8.	*47-225722-004	Pin Light Assembly - 208V
	*47-225723-004	Pin Light Assembly - 380V
9.	55-083118-000	Lamp Support
10.	55-083144-000	Pin Light Bracket Assembly (right-hand)
11.	55-083146-000	Pin Light Bracket Assembly (left-hand)

* Does not include Bulb. Order index number 5.

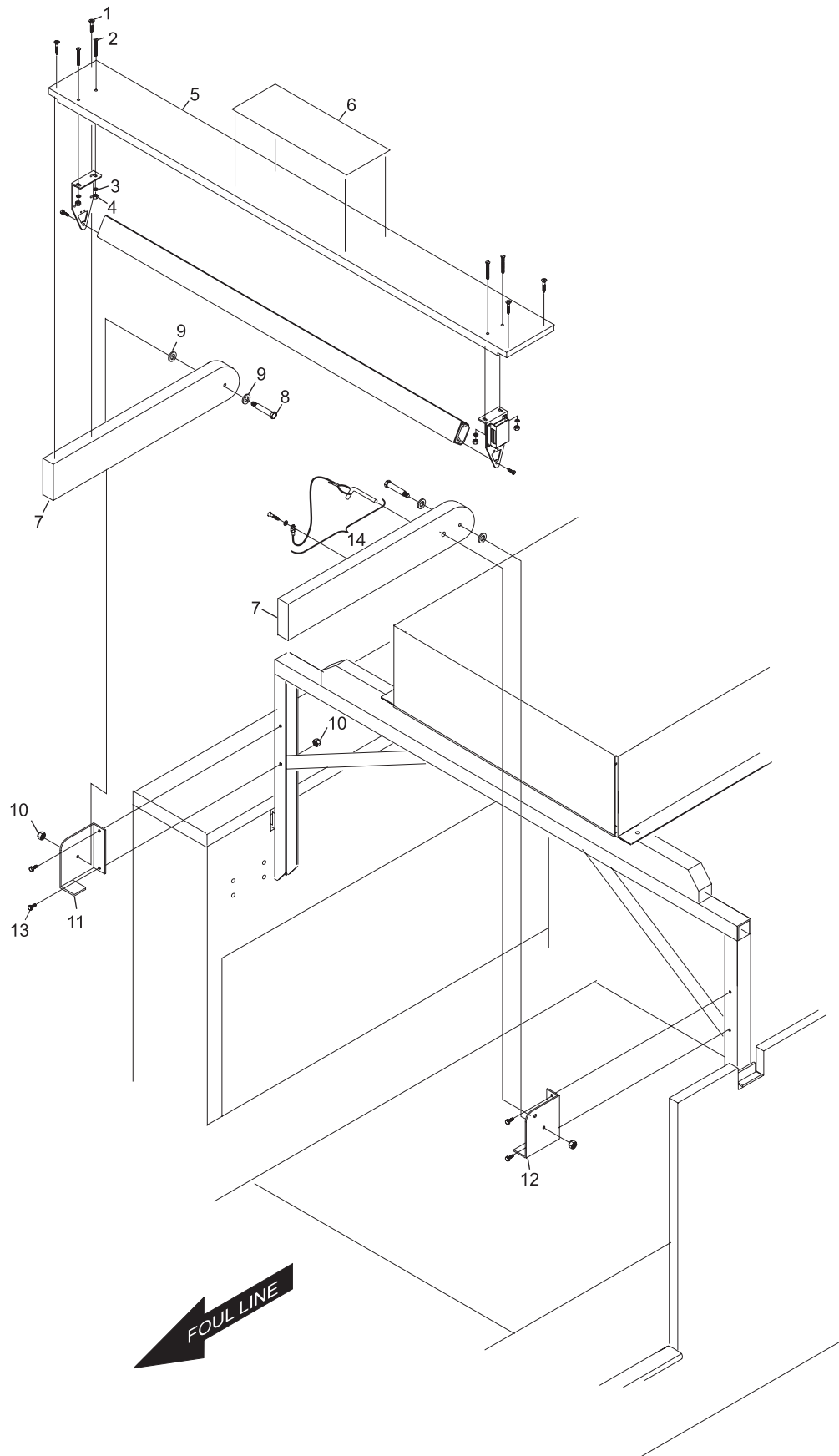
StringPin Light (Short Pit)



**StringPin Light
(Short Pit)**

No.	Index Part No.	Description
1.	11-081208-000	Robertson Screw 2"
2.	11-051027-001	Screw (5 mm x 40 mm)
3.	11-051020-001	Washer (5 mm)
4.	11-051742-001	Locknut (5 mm)
5.	55-083156-000	Light Mounting Plate
6.	11-681174-000	Safety Decal
7.	55-083155-000	Pivot Arm
8.	11-056101-001	Sholder Bolt (8 mm)
9.	11-052017-000	Washer (8 mm)
10.	11-051744-000	Locknut (8 mm)
11.	55-083153-000	Pivot Bracket (left-hand)
12.	55-083154-000	Pivot Bracket (right-hand)
13.	11-051010-001	Hex Head Cap Screw (8 mm x 20 mm)
14.	47-226204-000	Pin Light Locking Pin

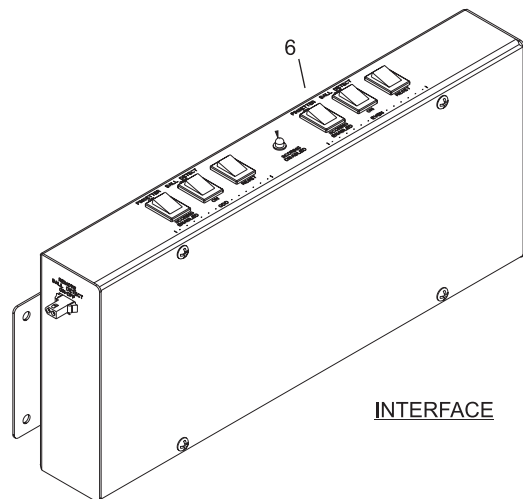
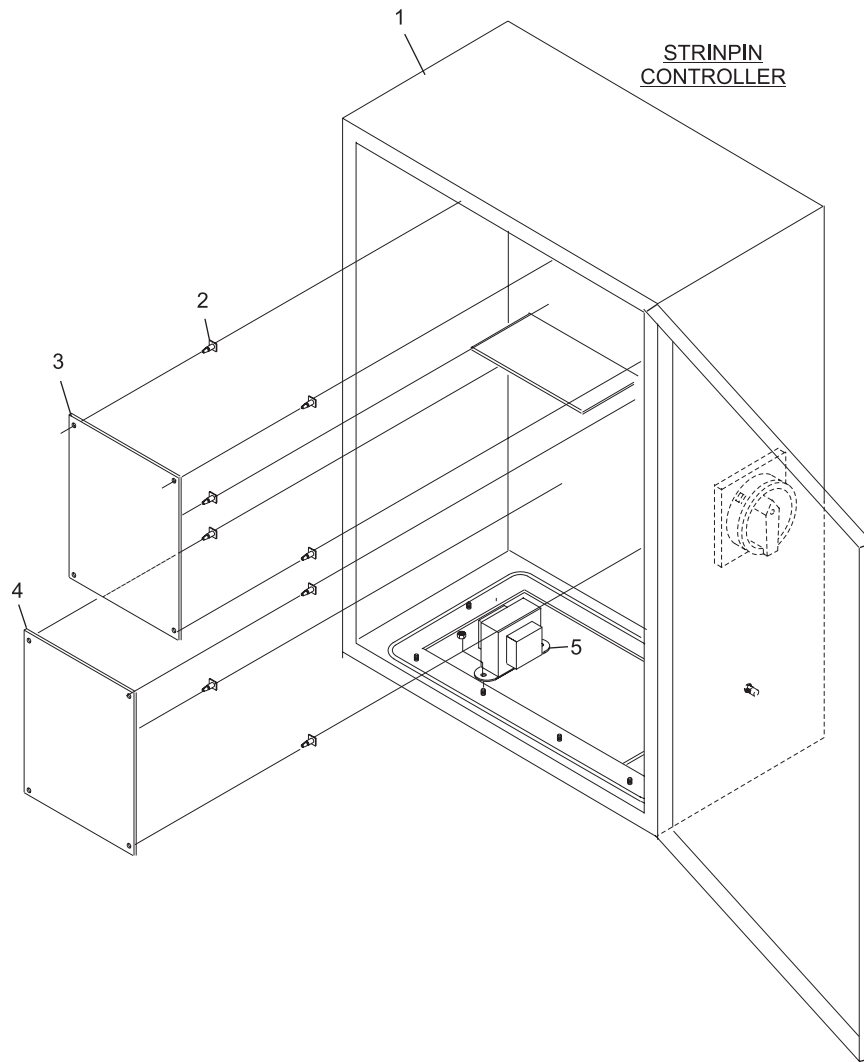
StringPin Light (Long Pit)



StringPin Light
(Long Pit)

No.	Index Part No.	Description
1.	55-200821-000	Controller 3 x 208V
	55-200751-000	Controller 3 x 380V
2.	55-201106-000	PCB Spacer
3.	55-200775-000	High Voltage PCB 3 x 208V
	55-200752-000	High Voltage PCB 3 x 380V
4.	55-200753-000	CPU PCB
5.	55-860033-000	Transformer w/Hardware 208V
	55-860030-001	Transformer w/Hardware 380V
6.	57-863307-400	Vector Interface Assembly
7.	*55-860020-000	Fuse Package

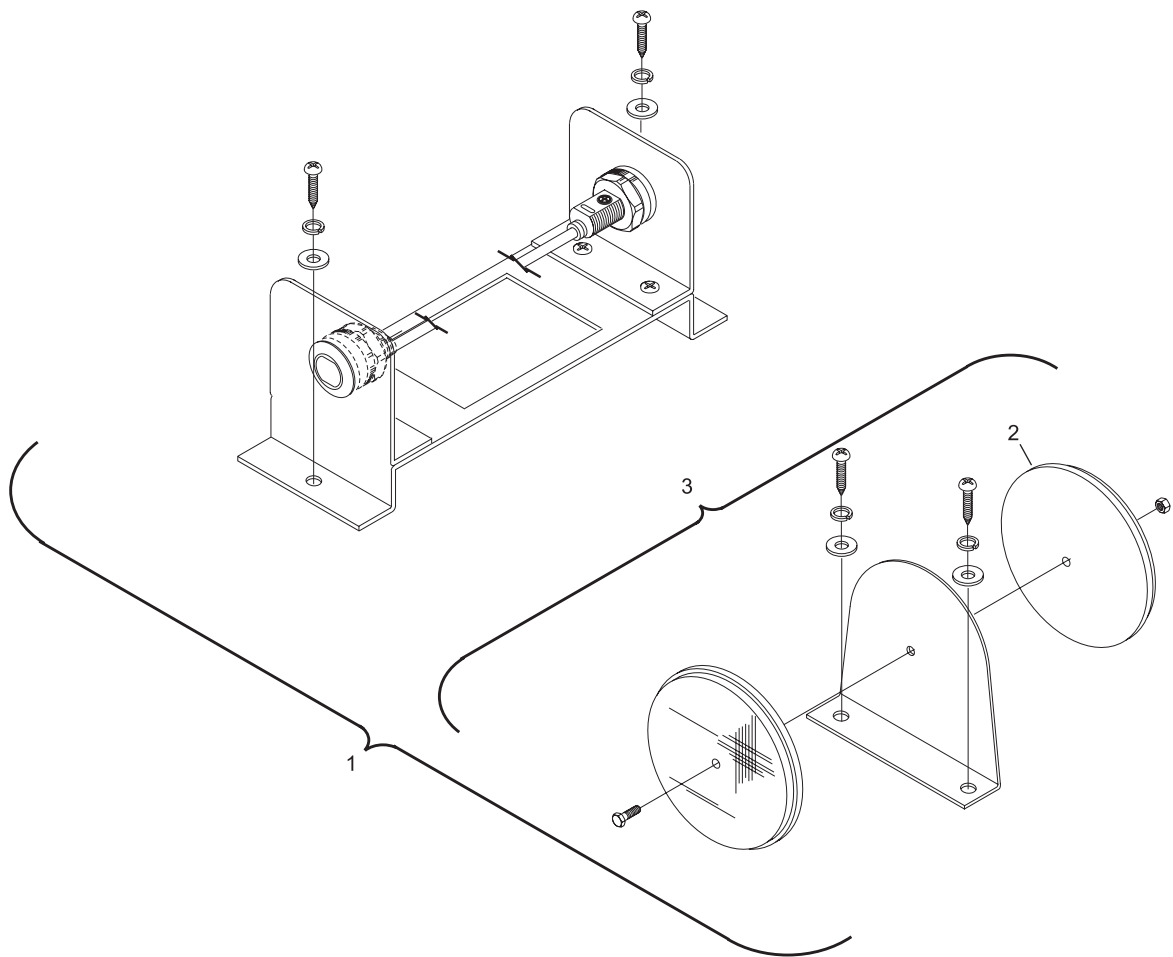
* Not Illustrated



Electronics

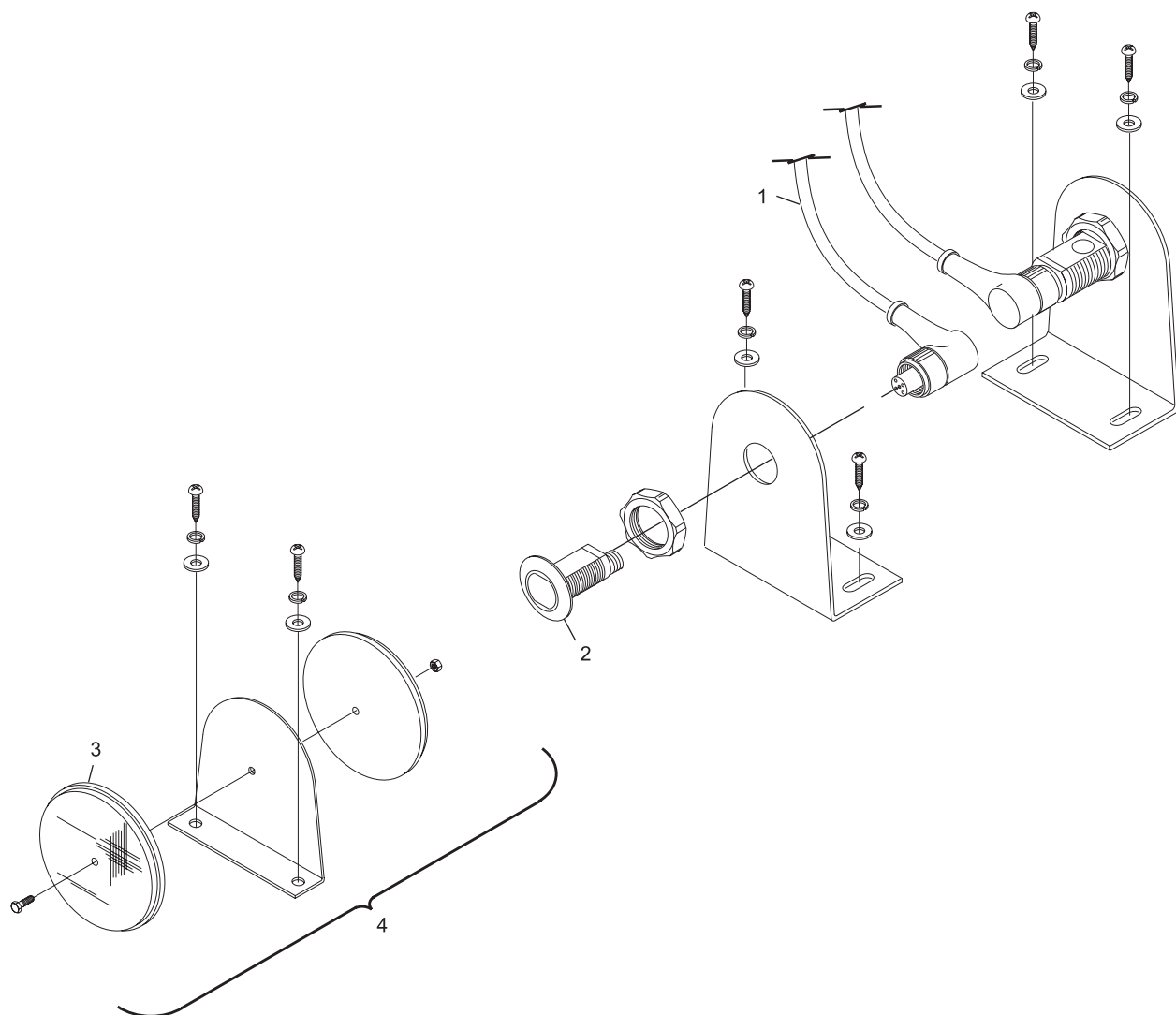
No.	Index Part No.	Description
1.	57-863400-000	Pkg. Ball Detect Assembly w/Reflector
2.	53-600176-000	Reflector only
3.	57-860507-000	Reflector w/Bracket and Hardware

**Ball Detect
(Scorer)**



Ball Detect (Scorer)

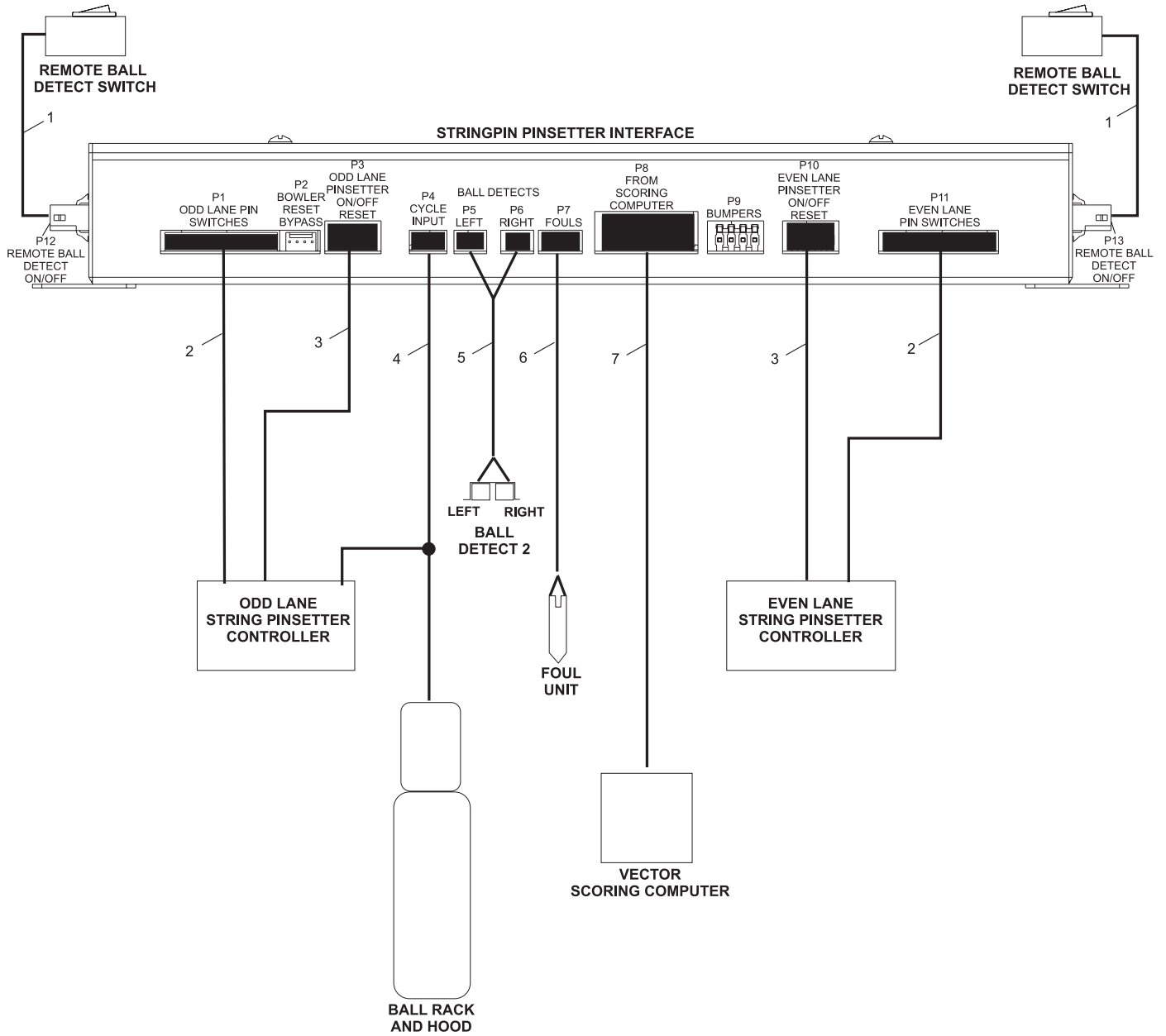
No.	Index Part No.	Description
1.	55-200768-000	Cable Assembly
2.	55-200767-000	Sensor w/o Cable
3.	53-600176-000	Reflector only
4.	57-860507-000	Reflector w/Bracket and Hardware



**Ball Detect
(Pinsetter)**

No.	Index Part No.	Description
1.	55-500925-000	Remote Ball Detect Switch Cable Assembly
2.	55-300103-001	Lane Switches Cable Assembly
3.	57-500930-001	Pinsetter On/Off Reset Cable Assembly
4.	55-300105-001	Lane Reset Cable Assembly
5.	57-500926-001	Ball Detect (machine) Cable Assembly
6.	57-500928-000	Foul Cable Assembly
7.	57-500451-000	Vector Scoring Interface Cable Assembly

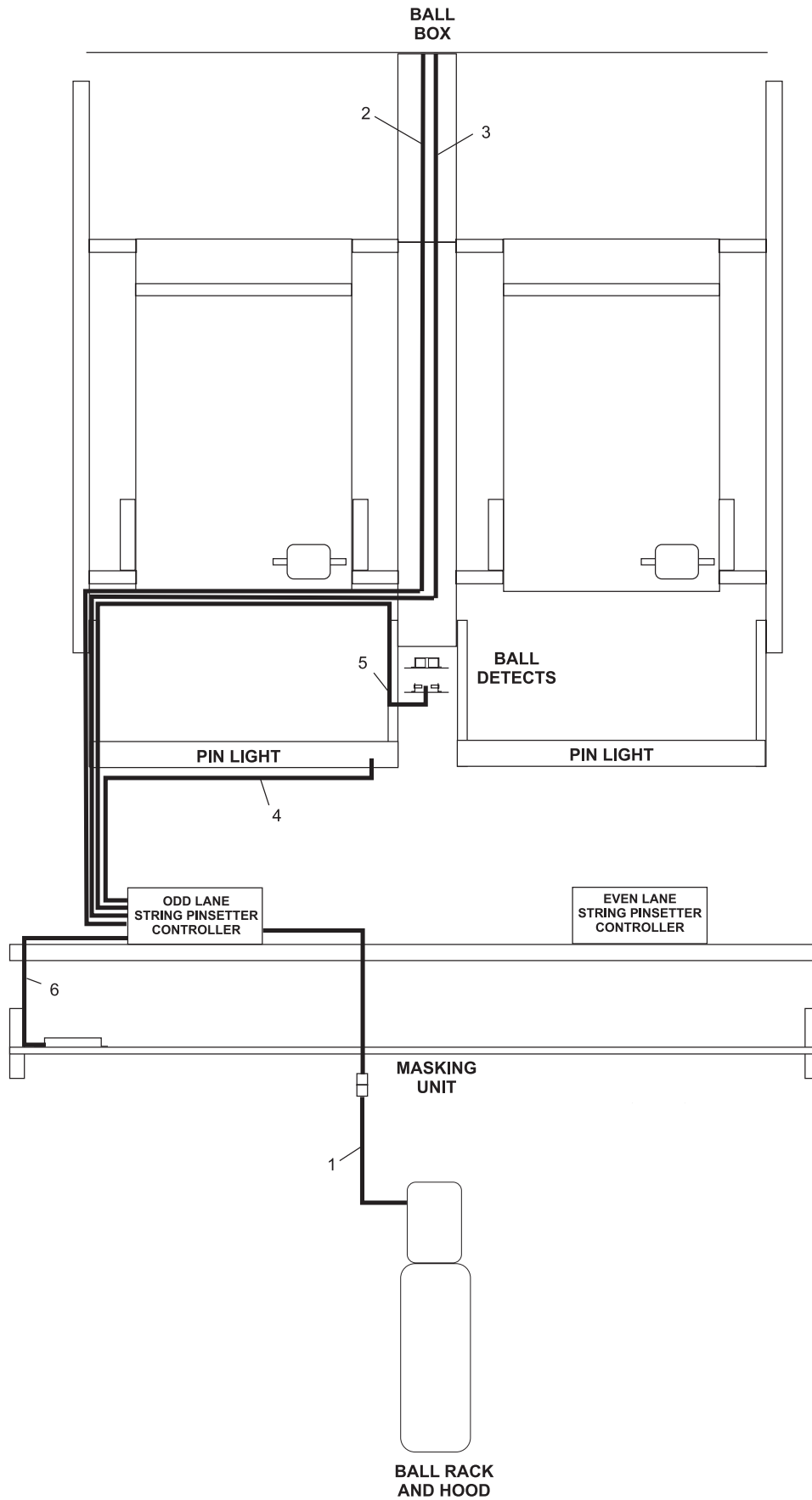
Interface Cables



Interface Cables

No.	Index Part No.	Description
1.	53-520588-000	Reset Cable Assembly
2.	47-246311-004	Ball Accelerator Power Cable Assembly
3.	55-083119-001	Ball Accelerator Reset Cable Assembly
4.	53-083131-001	Pin Light Adapter Cable
5.	55-200754-009	Ball Detect (Pinsetter) Cable Assembly
6.	55-860035-001	1st and 2nd Ball Light Cable Assembly

Control Box Cables



Control Box Cables

Intentionally Blank Page