

Section E

SEATING

Index No.	Part No.	Description	Index No.	Part No.	Description
1.	54-100107-002	T. Hd. Nib Screw (1/4-20 x 1-1/8")	19.	N.A.	Ermine White Seat and Back Chair Glide
2.	10-386241-000	Spacer	20.	11-651201-000	Chair Chassis Assembly
3.	12-300081-004	Flat Washer	21.	N.A.	Hex Hd. Lag Screw (5/16 x 1-1/4")
4.	11-176000-001	Keps Nut (1/4-20)	22.	11-070542-001	Table Leg Assembly
5.	54-100107-000	T. Hd. Nib Screw (1/4-20 x 9/16")	23.	N.A.	Concourse Table Top Only
6.	54-100331-003	Sandlewood Armrest Assy.	24.	N.A.	Lockwasher (5/16)
	N.A.	Orange Armrest Assembly	25.	11-195015-001	Sandlewood Table Top (33")
	N.A.	Blue Armrest Assembly	26.	N.A.	Orange Table Top (33")
7.	54-100464-000	Back Panel		N.A.	Blue Table Top (33")
8.	*54-100317-251	Sandlewood Seat Only		N.A.	Brick Table Top (33")
	54-100317-351	Orange Seat Only		N.A.	Grape Table Top (33")
	54-100317-451	Blue Seat Only		N.A.	Mint Green Table Top (33")
	N.A.	Cameo Blue Seat Only		N.A.	Plum Table Top (33")
	N.A.	Autumn Gold Seat Only		N.A.	Sea Spray Table Top (33")
	N.A.	Brick Seat Only		N.A.	Cameo Blue Table Top (33")
	N.A.	Grape Seat Only		N.A.	Autumn Gold Table Top (33")
	N.A.	Mint Green Seat Only		N.A.	Sandlewood Table Top (42")
	N.A.	Plum Seat Only		N.A.	Orange Table Top (42")
	N.A.	Sea Spray Seat Only		N.A.	Blue Table Top (42")
9.	54-100438-002	R. H. Seat Support		N.A.	Brick Table Top (42")
10.	54-100461-000	Front Seat Support		N.A.	Grape Table Top (42")
11.	54-100438-003	L.H. Seat Support		N.A.	Mint Green Table Top (42")
12.	N.A.	Back Panel		N.A.	Plum Table Top (42")
13.	**N.A.	Sandlewood Seat Only		N.A.	Sea Spray Table Top (42")
	54-100327-351	Orange Seat Only		N.A.	Cameo Blue Table Top (42")
	N.A.	Blue Seat Only		N.A.	Autumn Gold Table Top (42")
	N.A.	Cameo Blue Seat Only	27.	N.A.	Self Tapping C.R. Rd. Hd. Screw (1/4 x 1-1/4")
	N.A.	Autumn Gold Seat Only	28.	N.A.	Low Pedestal Assembly
	N.A.	Brick Seat Only		N.A.	High Pedestal Assembly
	54-100327-651	Grape Seat Only	29.	N.A.	Pedestal Base
	N.A.	Mint Green Seat Only	30.	N.A.	Plain Washer (5/8)
	N.A.	Plum Seat Only	31.	11-195020-001	Lockwasher (5/8)
	N.A.	Sea Spray Seat Only	32.	N.A.	Hex Hd. Cap Screw (5/8-11 x 4")
14.	54-100439-003	L.H. Seat Support	33.	N.A.	T-Moulding (L.F.)
15.	54-100462-000	Front Seat Support	34.	11-191010-001	Plain Washer
16.	54-100439-002	R.H. Seat Support	35.	54-100300-000	Armrest Assembly (Hollow)
17.	54-100499-000	Nut Plate (5/16-18)			
18.	11-005264-001	Hex Socket Hd. Cap Screw (5/16-18 x 1")			

N.A. = No Longer Available

NOTE: Mounting holes for seating must be drilled on site. Clamp seat to existing bracket and drill from inside.

* Presidential Seat

To order complete seat assembly order:

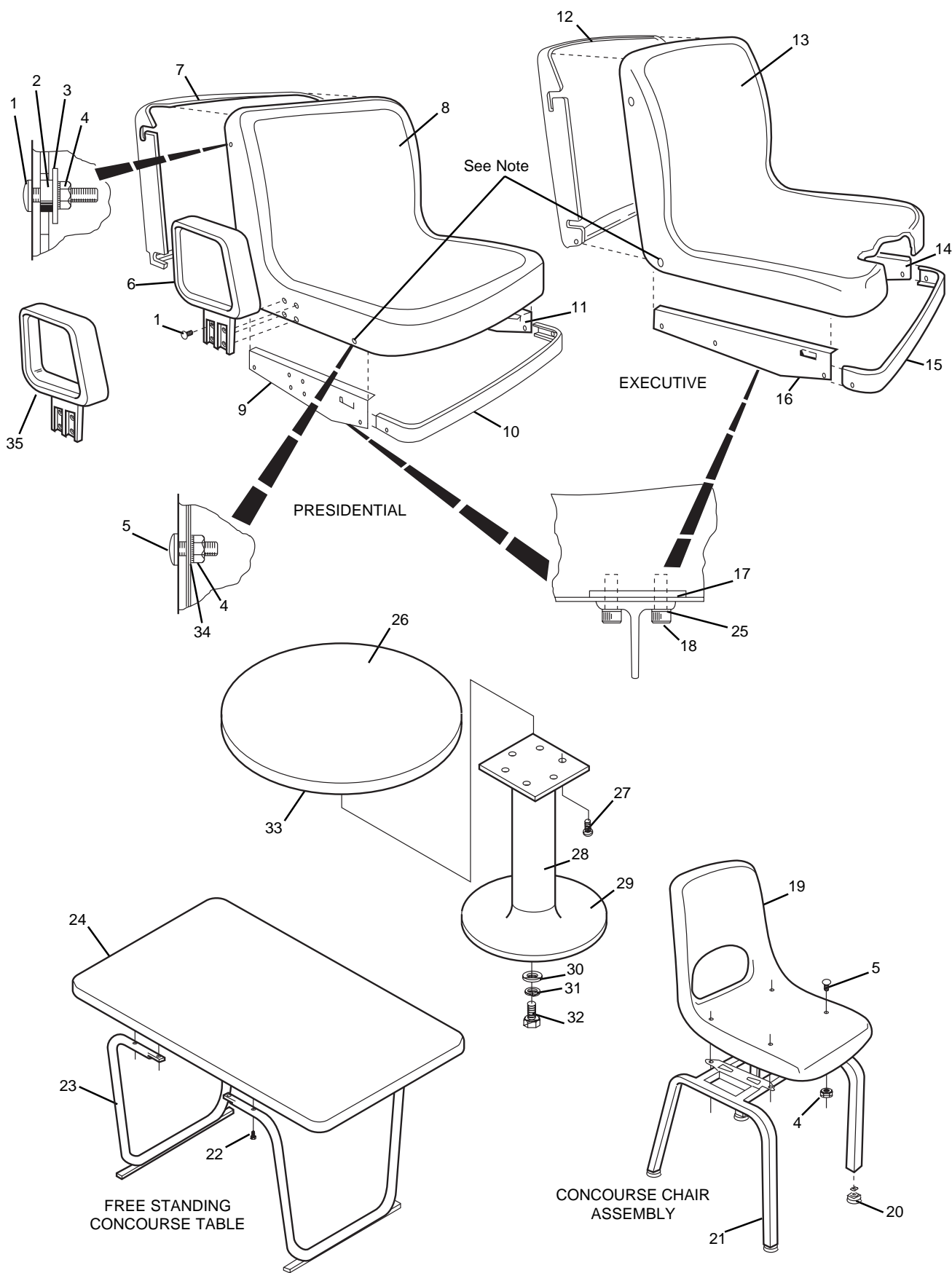
54-860473-003 Orange
N.A. Blue
54-860473-008 Plum
54-860473-041 Fog Grey
54-860473-002 Sandalwood

** Executive Seat

To order complete seat assembly order:

54-860472-003 Orange
N.A. Blue
54-860472-008 Plum
54-860472-041 Fog Grey
54-860472-002 Sandalwood

"2000" Omni Seating

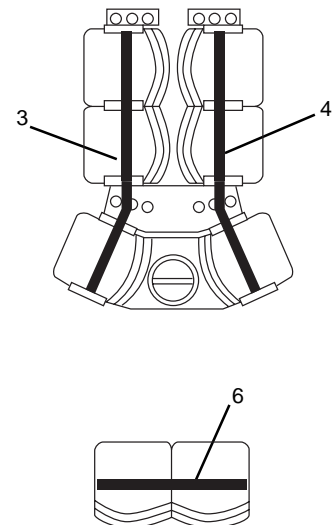
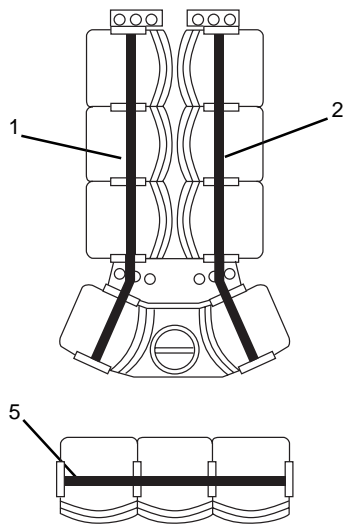


"2000" Omni Seating

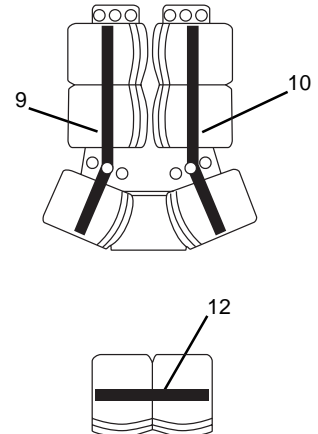
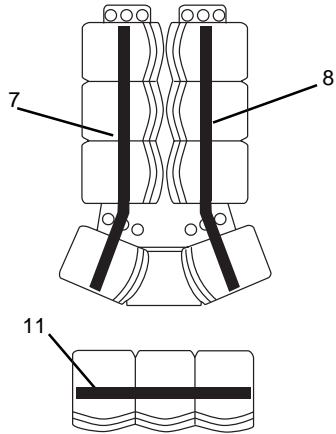
Index No.	Part No.	Description
1.	N.A.	R. H. T-Bar Support (93-9/16")
2.	N.A.	L. H. T-Bar Support (93-9/16")
3.	N.A.	R. H. T-Bar Support (72-11/16")
4.	N.A.	L. H. T-Bar Support (72-11/16")
5.	N.A.	T-Bar Support (61-3/4")
6.	N.A.	T-Bar Support (40-7/8")
7.	N.A.	R. H. T-Bar Support (78-3/8")
8.	N.A.	L. H. T-Bar Support (78-3/8")
9.	N.A.	R. H. T-Bar Support (60-3/8")
10.	N.A.	L. H. T-Bar Support (60-3/8")
11.	N.A.	T-Bar Support (51-7/8")
12.	N.A.	T-Bar Support (33-7/8")
13.	N.A.	Hex Hd. Cap Screw (5/16-18 x 1")
14.	11-195015-001	Lockwasher (5/16)
15.	N.A.	Seating Pedestal
16.	N.A.	Scorer Seating Pedestal
17.	54-100340-000	Seating Leg Cap
18.	11-001343-001	Hex Hd. Cap Screw (3/8-16 x 7/8")
19.	11-190014-001	Plain Washer (3/8")
20.	N.A.	Concrete Fastener (3/8-16)
21.	N.A.	Hex Hd. Lag Screw (3/8 x 2")
22.	11-111455-000	Concrete Fastener (3/8-16 x 2-3/4")

N.A. = No Longer Available

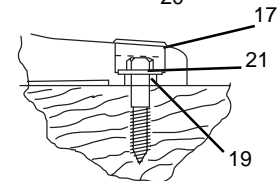
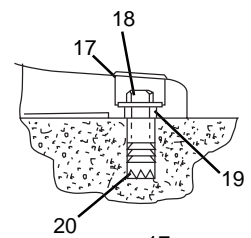
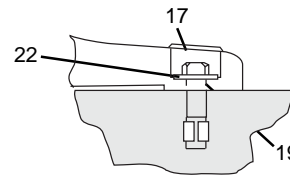
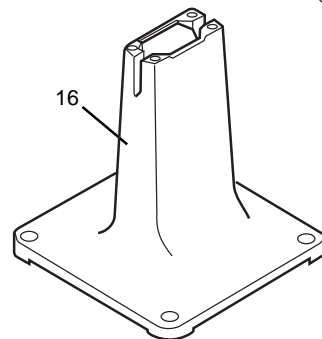
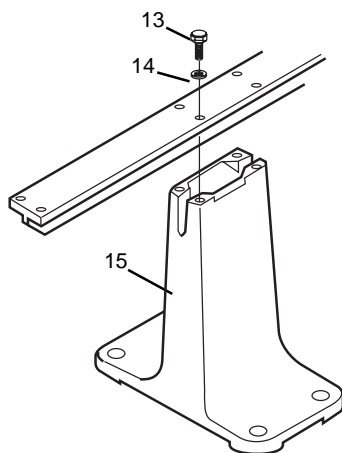
"2000" Omni Seat Supports



PRESIDENTIAL



EXECUTIVE

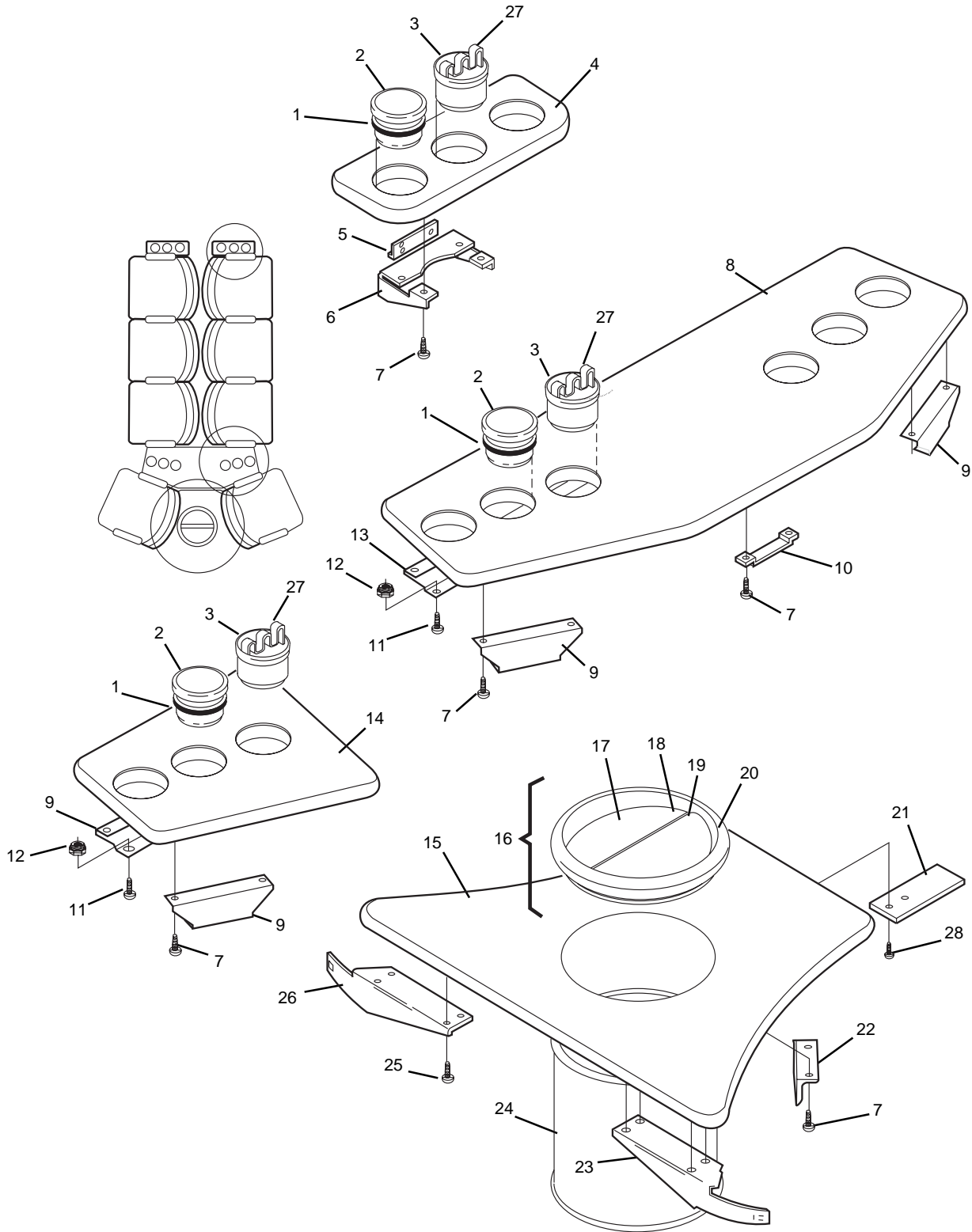


"2000" Omni Seat Supports

Index No.	Part No.	Description
1.	54-100431-000	Cup Holder
2.	54-100260-000	Glass and Bottle Holder
3.	54-100259-000	Ashtray
4.	N.A.	End Table Top Only
5.	N.A.	Straightener
6.	54-100319-000	Table Support Bracket
7.	N.A.	Self Tapping C. R. Rd. Hd. Screw (#12 x 1")
8.	N.A.	Twin Refreshment Table Top Only
9.	54-100337-000	Small Support Bracket
10.	54-100322-000	Catch
11.	11-010635-001	Hex Hd. Washer Machine Screw (1/4-20 x 3/4")
12.	11-176000-001	Keps Nut (1/4-20)
13.	N.A.	Large Support Bracket (30-3/4")
	54-100338-003	Large Support Bracket (32-1/2")
14.	N.A.	Single Refreshment Table Top Only
15.	N.A.	Rear Table Top Only (Presidential w/Refuse Hole)
	N.A.	Rear Table Top Only (Presidential w/o Refuse Hole)
	54-100344-000	Rear Table Top Only (Executive w/o Refuse Hole)
	N.A.	Rear Table Top Only (Executive w/Refuse Hole)
16.	N.A.	Bezel Assembly
17.	N.A.	Cover Only
18.	N.A.	Rod Only
19.	11-125560-000	Speed Nut
20.	N.A.	Bezel Only
21.	N.A.	Tongue
22.	N.A.	Centering Bracket
23.	N.A.	R.H. Support Bracket
24.	N.A.	Disposal Container
25.	N.A.	Self Tapping C.R. Rd. Hd. Scrw (#12 x 1-1/4")
26.	54-100345-003	L.H. Support Bracket
27.	N.A.	Ashtray Insert

N.A. = No Longer Available

"2000" Omni Tables

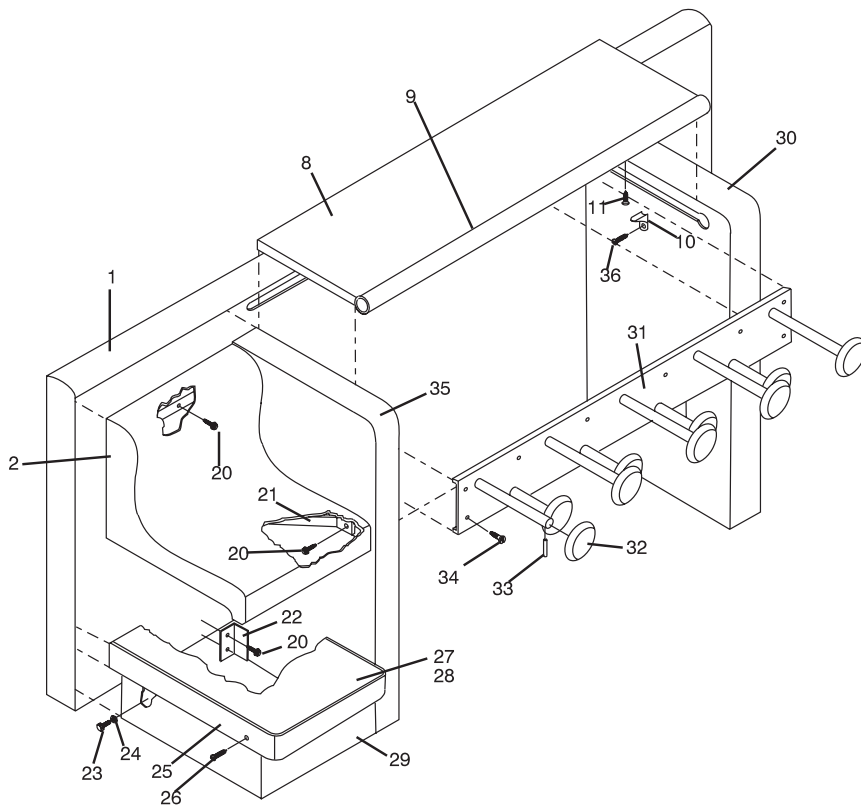
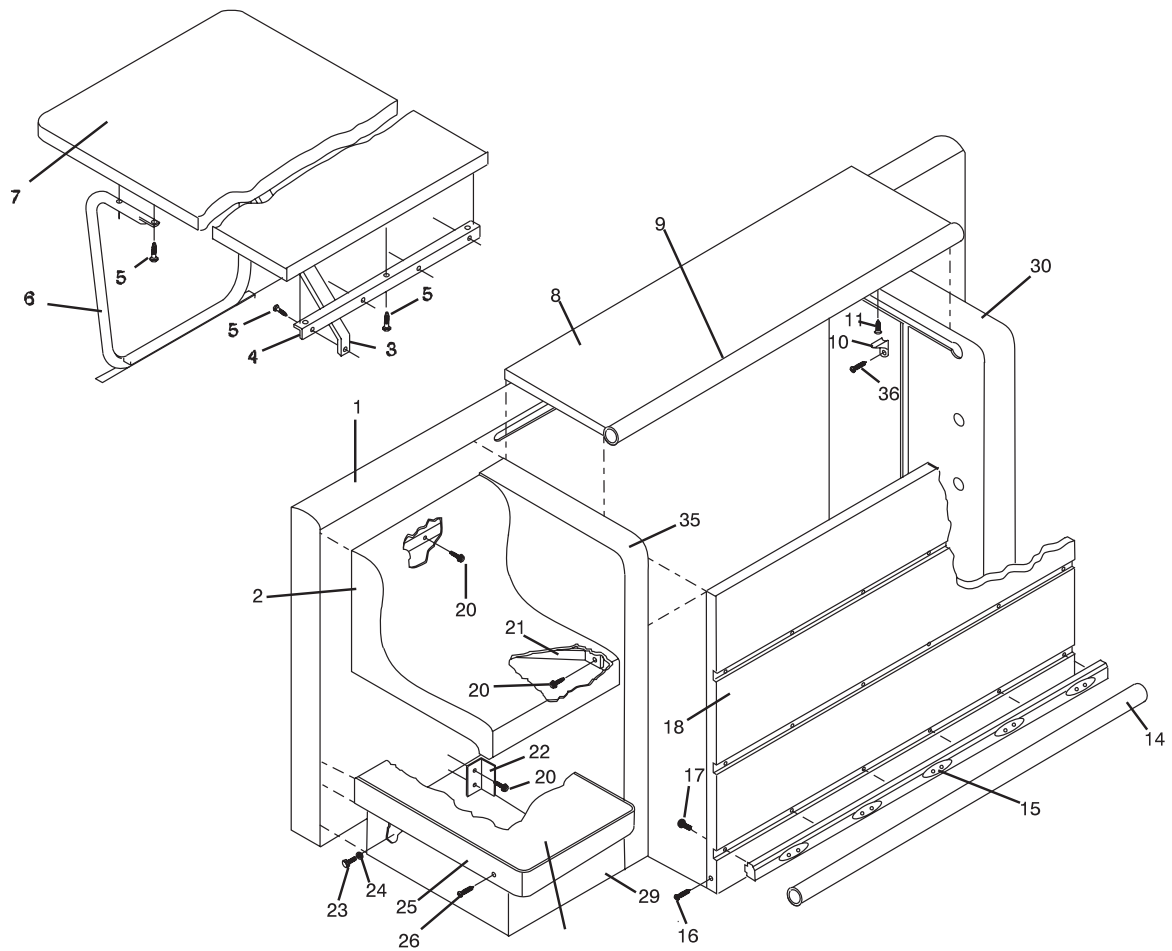


"2000" Omni Tables

Index No.	Part No.	Description
1.	N.A.	Rear Frame Assembly
2.	N.A.	R. H. Sandlewood Jump Seat - Shown
	N.A.	L.H. Sandlewood Jump Seat - Opposite
	N.A.	R.H. Orange Jump Seat - Shown
	N.A.	L.H. Orange Jump Seat - Opposite
	N.A.	R.H. Blue Jump Seat - Shown
	N.A.	L.H. Blue Jump Seat -Opposite
3.	N.A.	Table Support Bracket
4.	N.A.	Table Support Bracket
5.	11-070542-001	Hex Hd. Lag Screw (5/16 x 1-1/4")
6.	N.A.	Concourse Table Leg
7.	N.A.	Concourse Table Top Only
8.	N.A.	Refreshment Tray Only
9.	N.A.	Front Edge Moulding
10.	N.A.	Shelf Brace
11.	N.A.	Self Tapping C.R. Flat Hd. Screw (#10 x 1")
12.	N.A.	L.H. Armrest Assembly
13.	N.A.	Ball Rack Rail Assembly
14.	N.A.	Ball Rack Tube
15.	54-100210-000	Glide
16.	11-040167-001	C.R. Flat Hd. Wood Screw (#14 x 4")
17.	N.A.	Self Tapping C.R. Rd. Hd. Screw (#10 x 1-1/2")
18.	N.A.	Ball Rack Wall
19.	N.A.	R.H. Armrest Assembly
20.	N.A.	Self Tapping Hex Hd. Washer Screw (5/16-18 x 2-1/2")
21.	N.A.	Diagonal Brace
22.	N.A.	Angle Bracket
23.	11-001182-001	Hex Hd. Cap Screw (1/4-20 x 3/4")
24.	11-190010-001	Plain Washer (1/4)
25.	N.A.	Footrest Trim
26.	N.A.	Self Tapping C.R. Flat Hd. Screw (#14 x 3/4")
27.	N.A.	Rubber Mat
28.	11-676047-000	Cement (Gallon)
29.	N.A.	R.H. Footrest Trim - Shown
	N.A.	L.H. Footrest Trim - Opposite
30.	N.A.	L.H. Armrest Assembly
31.	N.A.	Coat Hanger Assembly Only
32.	N.A.	Sandlewood Knob Assembly
	N.A.	Orange Knob Assembly
	N.A.	Blue Knob Assembly
33.	11-345408-001	Roll Pin
34.	N.A.	Self Tapping C.R. Pan Hd. Screw (#14 x 2")
35.	N.A.	R.H. Armrest Assembly
36.	N.A.	Self Tapping C.R. Flat Hd. Screw (#10 x 1-3/4")

N.A.= No Longer Available

"2000" Omni Seating, Ball Rack, Coat Rack & Mod Wall



**"2000" Omni Seating, Ball Rack,
Coat Rack & Mod Wall**

Index

No.	Part No.	Description
1.	54-100259-000	Ashtray
2.	*53-860977-xxx	Center Top with Holes (Not offered in colors -220 through -225.)
3.	54-100260-000	Drink Holder
4.	53-860978-xxx	Center Top without Holes (Not offered in colors -220 through -225.)
5.	53-860956-000	Ashtray/Drink Holder Housing
	53-860956-001	Mount Hardware (Includes item numbers: 6, 7, 8)
6.	11-001344-001	Bolt (3/8-16 x 1")
7.	53-400179-000	Ashtray/Drink Holder Mounting Bracket
8.	11-082703-001	Self Tapping Screw (#12-14 x 1/2")
9.	53-400176-000	Center Top Mounting Bracket
10.	*53-860959-000	Contour Seats (Pkg. of 1)
11.	N.A.	End Table without Holes
12.	11-006345-000	Button Hd. Cap Screw (3/8-16 x 1")
13.	*53-860975-xxx	End Table with Holes
14.	11-082862-001	Self Tapping Screw (#14-10 x 1")
15.	53-400186-000	End Table Mounting Bracket
16.	11-001182-001	Cap Screw (1/4-20 x 3/4")
17.	53-400302-000	Hole Plugs
18.	53-400413-000	Two Seat Rail (Short)
19.	*N.A.	Rear Decal (use index number 28)
20.	53-400109-000	Tube Cap (3")
21.	N.A.	Concrete Anchor (3/8-16)
	**11-111560-000	Hilti Concrete Anchor (3/8-16 x 1-9/16")
22.	53-860990-000	Wood Insert (3/8)
23.	53-400301-001	Button Hd. Cap Screw (3/8-16 x 2-1/4")
	**53-400301-003	Button Hd. Socket Cap Screw (3/8-16 x 3/4")
24.	*53-400122-xxx	Plastic Fasteners for Inserts (Pkg. of 12)
25.	*N.A.	Front Insert (use index number 28)
26.	*N.A.	Front Decal (use index number 28)
27.	53-400113-000	Rear Insert - Gray Only
28.	*53-860960-xxx	This package contains 1 each of item numbers: 19, 25, 26, 27 and 48 each of item 24.

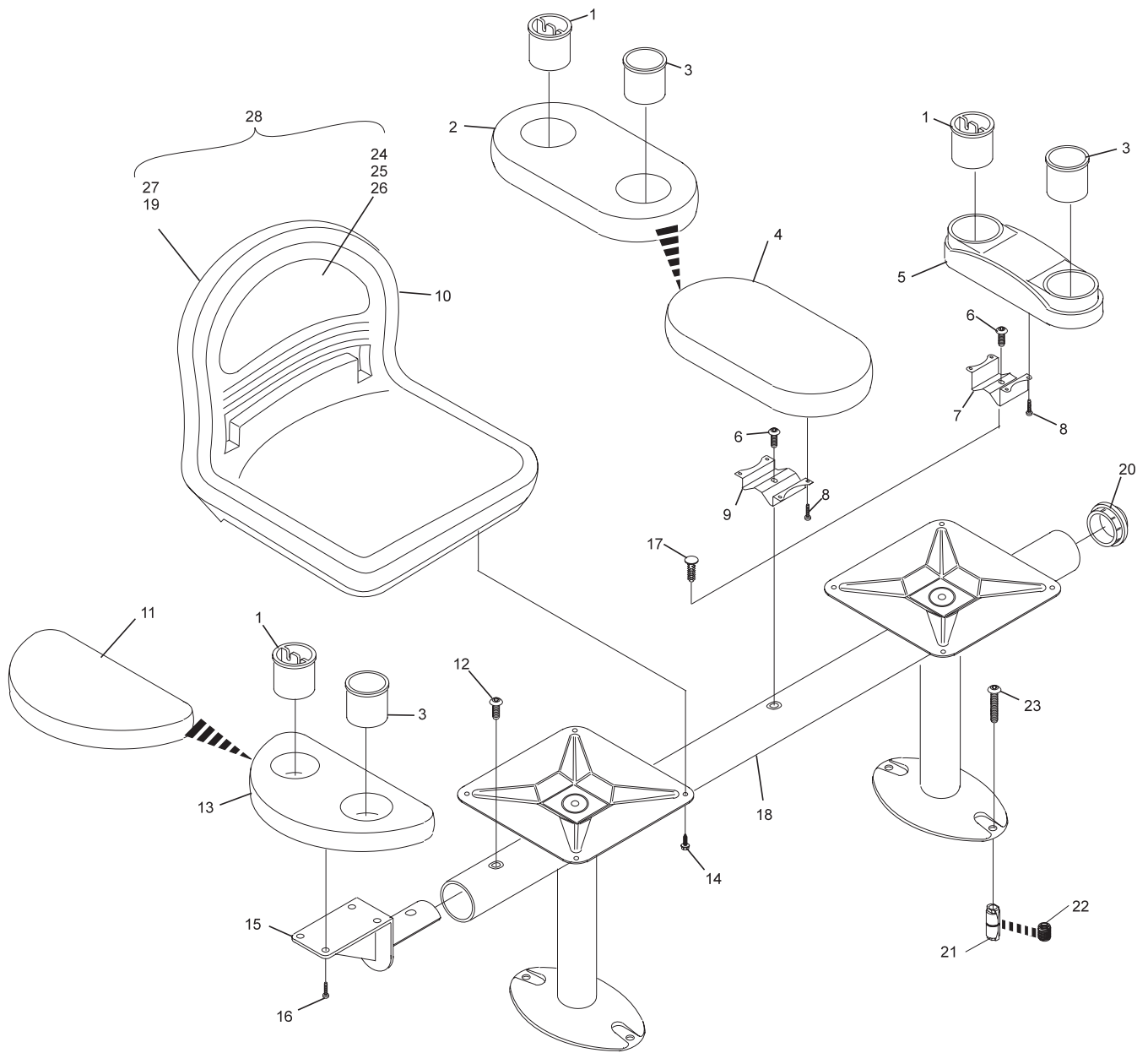
N.A. = No Longer Available

* Color Chart

Part No. Suffix	Primary Color	Secondary Color
-104	ORANGE	
-105	GRAPE	
-113	DARK BLUE	
-116	DARK TEAL	
-101	DARK GREY	
-102	LIGHT GREY	
-220	BLUEBERRY	BANANA accent
-221	KIWI	BLUEBERRY accent
-222	CRANBERRY	BANANA accent
-223	GRAPE	KIWI accent
-224	BANANA	GRAPE accent
-225	STRAWBERRY	BANANA accent

** Concrete Anchor - Part No. 11-111560-000 must be used with Button Hd. Socket Cap Screw - Part No. 53-400301-003. To receive 4 each, order Part No. 53-860963-001.

Frameworkx Two Seat Rail (Short)



Framework Two Seat Rail (Short)

Index

No.	Part No.	Description
1.	*N.A.	Front Insert (use index number 23)
2.	*53-860968-xxx	Oval Table Top
	*53-860999-xxx	Oval Table Top - reduced length (available in colors -220 through -225 only)
3.	11-082862-001	Self Tapping Screw (#14-10 x 1")
4.	53-860959-000	Contour Seat (Pkg. of 1)
5.	53-400109-000	Tube Cap (3")
6.	53-400301-001	Button Hd. Cap Screw (3/8-16 x 2-1/4")
	**53-400301-003	Button Hd. Socket Cap Screw (3/8-16 x 3/4")
7.	N.A.	Table Frame Fixed/Fixed
8.	11-125104-001	Hex Nut (3/8-16)
9.	11-195016-001	Lockwasher (3/8)
10.	11-191014-000	Flat Washer (3/8)
11.	11-194140-000	Belleville Washer (3/8)
12.	11-190014-003	Black Shim Washer (3/8)
13.	11-111456-000	Concrete Stud (3/8-16 x 3-1/2")
14.	*N.A.	Front Decal (use index number 23)
15.	11-006345-000	Button Hd. Cap Screw (3/8-16 x 1")
16.	53-860990-000	Wood Insert (3/8)
17.	11-095011-000	Concrete Anchor (3/8-16)
	**11-111560-000	Hilti Concrete Anchor (3/8-16 x 1-9/16")
18.	53-400309-000	Stud (3/8-16 x 3")
19.	*53-400122-xxx	Plastic Fasteners for Inserts
20.	*N.A.	Rear Decal (use index number 23)
21.	N.A.	Rear Insert - Gray (use index number 23)
22.	53-861100-000	PKG. Table Weldment - Concrete/Wood Floors (includes Tube Caps and Floor Mounting Hardware)
23.	*53-860960-xxx	This package contains 1 each of item numbers: 1, 14, 20 and 21 and 48 each of item 19.

* Color Chart

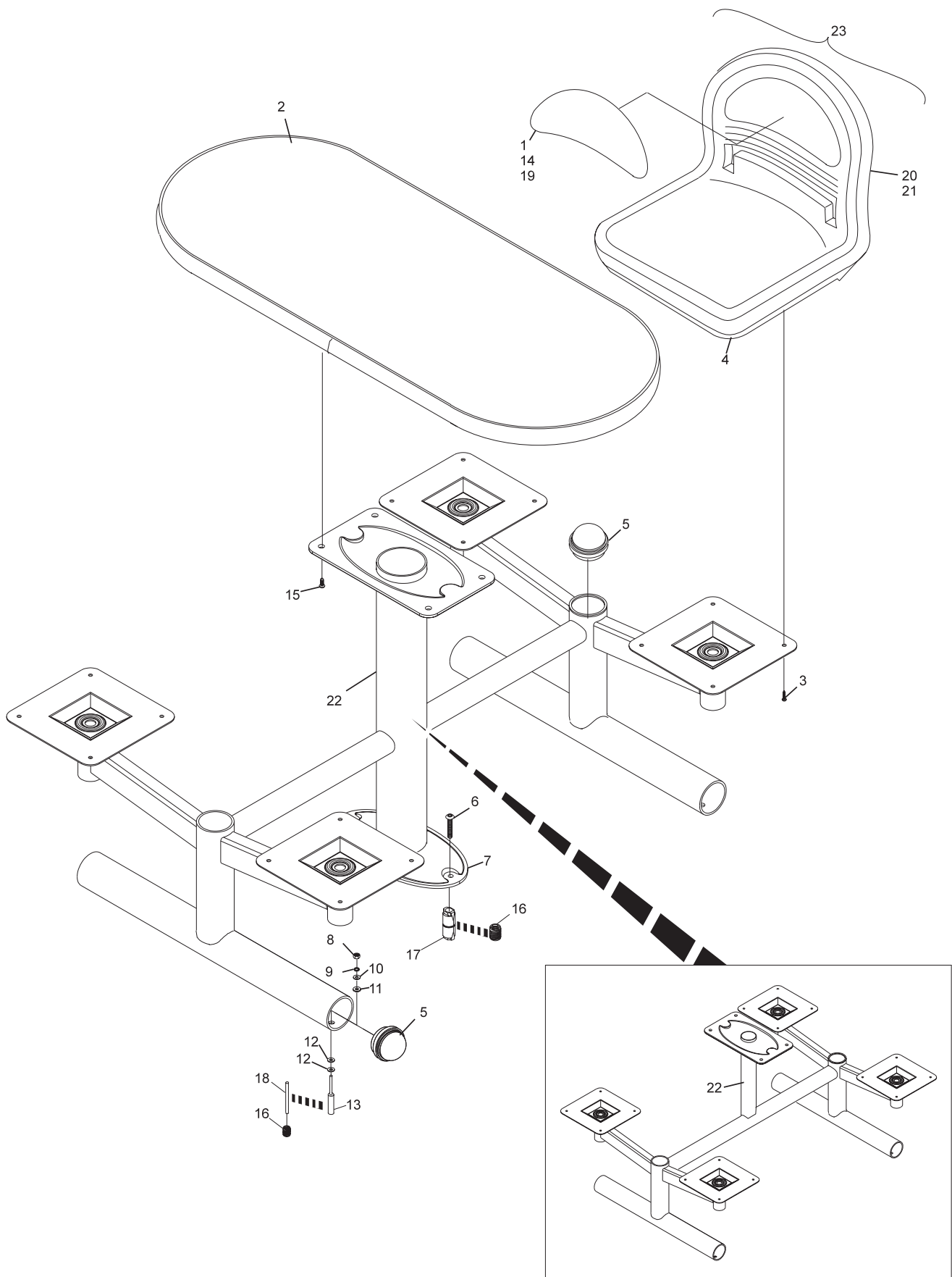
Part No. Suffix	Primary Color	Secondary Color
-104	ORANGE	
-105	GRAPE	
-113	DARK BLUE	
-116	DARK TEAL	
-101	DARK GREY	
-102	LIGHT GREY	
-220	BLUEBERRY	BANANA accent
-221	KIWI	BLUEBERRY accent
-222	CRANBERRY	BANANA accent
-223	GRAPE	KIWI accent
-224	BANANA	GRAPE accent
-225	STRAWBERRY	BANANA accent

NOTE: Last three digits in part number (suffix) designate color. Certain items not available with secondary color scheme.

**Concrete Anchor - Part No. 11-111560-000 must be used with Button Hd. Socket Cap Screw - Part No. 53-400301-003. To receive 4 each, order Part No. 53-860963-001.

N.A. = No Longer Available

Framework Table Assembly with Fixed Arm and Fixed Seat



Framework Table Assembly with Fixed Arm and Fixed Seat

Index

No.	Part No.	Description
1.	*N.A.	Front Insert (use index number 29)
2.	*53-860968-xxx	Oval Table Top
	*53-860999-xxx	Oval Table Top - Reduced Length (Available in colors - 220 through -225 only.)
3.	53-400165-000	Adapter Plate
4.	*53-860959-000	Contour Seat (Pkg. of 1)
5.	11-082862-001	Self Tapping Screw (#14-10 x 1")
6.	53-400437-000	60° Seat Swivel
	53-400231-000	45° Seat Swivel
7.	53-400109-000	Tube Cap (3")
8.	11-191010-001	Flat Washer (1/4)
9.	11-195014-001	Lockwasher (1/4)
10.	11-001178-001	Button Hd. Cap Screw (1/4-20 x 1/2")
11.	53-400301-001	Button Hd. Cap Screw (3/8-16 x 2-1/4")
	**53-400301-003	Button Hd. Socket Cap Screw (3/8-16 x 3/4")
12.	N.A.	Table Frame Fixed/Swivel
13.	11-125104-001	Hex Nut (3/8-16)
14.	11-195016-001	Lockwasher (3/8)
15.	11-191014-000	Flat Washer (3/8)
16.	11-194140-000	Belleville Washer (3/8)
17.	11-190014-003	Black Shim Washer (3/8)
18.	11-111456-000	Concrete Stud (3/8-16 x 3-1/2")
19.	*N.A.	Front Decal (use index number 29)
20.	11-006345-000	Button Hd. Cap Screw (3/8-16 x 1")
21.	N.A.	Concrete Anchor (3/8-16)
	**11-111560-000	Hilti Concrete Anchor (3/8-16x1-9/16")
22.	53-860990-000	Wood Insert (3/8)
23.	53-400309-000	Stud (3/8-16 x 3")
24.	*53-400122-xxx	Plastic Fasteners for Inserts
25.	N.A.	Rear Insert - Gray
26.	*N.A.	Rear Decal (use index number 29)
27.	N.A.	Table Weldment - Center Pedestal
28.	N.A.	Table Weldment - Concrete/Wood Floors
29.	*53-860960-xxx	This package contains 1 each of item numbers: 1, 19, 25 and 26 and 48 each of item 24.

* Color Chart

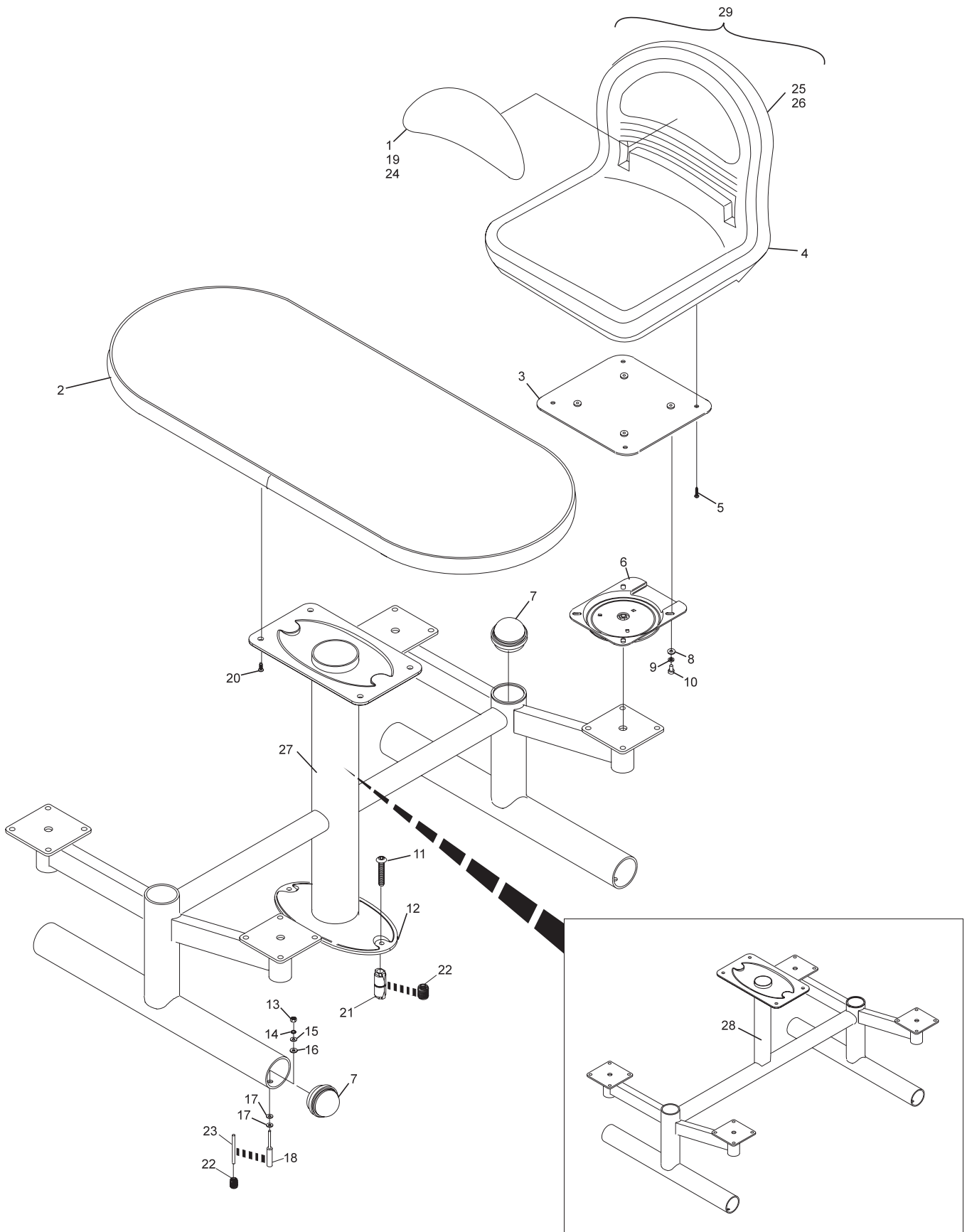
Part No. Suffix	Primary Color	Secondary Color
-104	ORANGE	
-105	GRAPE	
-113	DARK BLUE	
-116	DARK TEAL	
-101	DARK GREY	
-102	LIGHT GREY	
-220	BLUEBERRY	BANANA accent
-221	KIWI	BLUEBERRY accent
-222	CRANBERRY	BANANA accent
-223	GRAPE	KIWI accent
-224	BANANA	GRAPE accent
-225	STRAWBERRY	BANANA accent

NOTE: Last three digits in part number (suffix) designate color. Certain items not available with secondary color scheme.

**Concrete Anchor - Part No. 11-111560-000 must be used with Button Hd. Socket Cap Screw - Part No. 53-400301-003. To receive 4 each, order Part No. 53-860963-001.

N.A. = No Longer Available

Frameworkx Table Assembly with Fixed Arm and Swivel Seat



Framework Table Assembly with Fixed Arm and Swivel Seat

Index

No.	Part No.	Description
1.	N.A.	Front Insert (use index number 37)
2.	*53-860968-xxx	Oval Table Top
	*53-860999-xxx	Oval Table Top Reduced Length (Available in colors - 220 through -225 only.)
3.	53-400165-000	Adapter Plate
4.	53-860959-000	Contour Seat (Pkg. of 1)
5.	11-082862-001	Self Tapping Screw (#14-10 x 1")
6.	53-400437-000	60° Seat Swivel
	53-400231-000	45° Seat Swivel
7.	53-400109-000	Tube Cap (3")
8.	11-191010-001	Flat Washer (1/4)
9.	11-195014-001	Lockwasher (1/4)
10.	11-001178-001	Hex. Hd. Cap Screw (1/4-20 x 1/2")
11.	53-400301-001	Button Hd. Cap Screw (3/8-16 x 2-1/4")
	**53-400301-003	Button Hd. Socket Cap Screw (3/8-16 x 3/4")
12.	N.A.	Table Frame - Pivot/Swivel
13.	11-125104-001	Hex Nut (3/8-16)
14.	11-195016-001	Lockwasher (3/8)
15.	11-191014-000	Flat Washer (3/8)
16.	11-194140-000	Belleville Washer (3/8)
17.	11-190014-003	Black Shim Washer (3/8)
18.	11-111456-000	Concrete Stud (3/8-16 x 3-1/2")
19.	N.A.	Concrete Anchor (3/8-16)
	**11-111560-000	Hilti Concrete Anchor (3/8-16 x 1-9/16")
20.	11-101164-001	Set Screw (1/4-20 x 1/2")
21.	53-400132-000	Pivot Arm Bumper
22.	53-400130-000	Swivel Bearing
23.	53-400229-000	Spring Sleeve
24.	53-400125-000	Pivot Spring (left-hand wound)
25.	53-400435-000	L.H. Arm Weldment - Pivot/Swivel
26.	53-400309-000	Stud (3/8-16 x 3")
27.	53-400434-000	R.H. Arm Weldment - Pivot/Swivel
28.	53-400131-000	Pivot Shaft
29.	11-006345-000	Button Hd. Cap Screw (3/8-16 x 1")
30.	53-860990-000	Wood Insert (3/8)
31.	53-400122-xxx	Plastic Fasteners for Insert (use index number 37)
32.	N.A.	Front Decal (use index number 37)
33.	N.A.	Rear Insert - Gray (use index number 37)
34.	N.A.	Rear Decal (use index number 37)
35.	N.A.	Table Weldment
36.	N.A.	Table Weldment - Concrete/Wood Floors
37.	*53-860960-xxx	This package contains 1 each of item numbers: 1, 32, 33 and 34 and 48 each of item 31.
38.	53-400124-000	Pivot Spring (right-hand wound)
39.	53-861072-700	PKG. Swing Swivle Weldment (includes index numbers 7, 40, 41, and 42)
40.	53-400464-000	Table Support
41.	53-400462-000	Seat Support w/Swivel
42.	11-006345-000	Screw, Button Hd. Cap (3/8-16 x 1")

* Color Chart

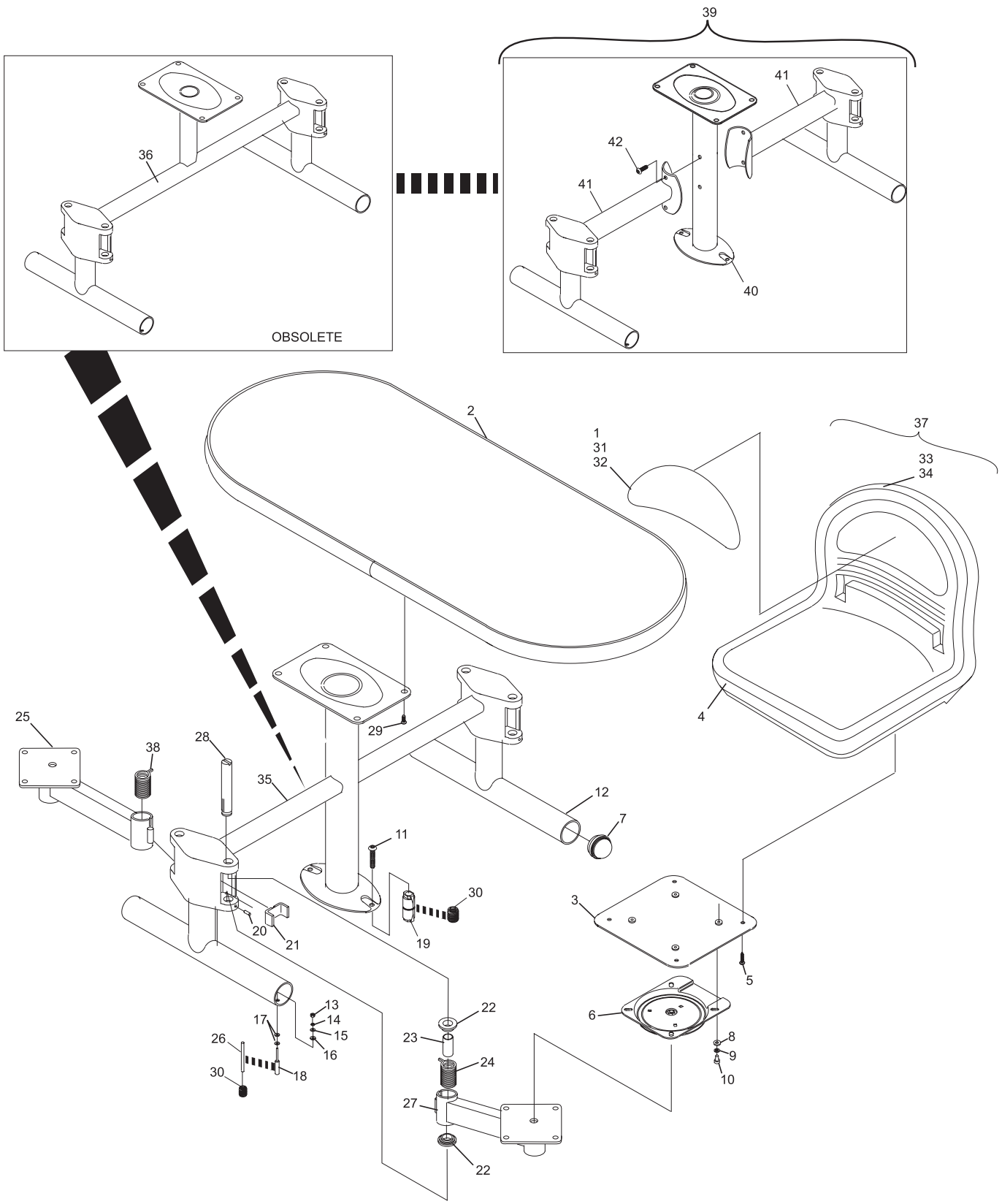
Part No. Suffix	Primary Color	Secondary Color
-104	ORANGE	
-105	GRAPE	
-113	DARK BLUE	
-116	DARK TEAL	
-101	DARK GREY	
-102	LIGHT GREY	
-220	BLUEBERRY	BANANA accent
-221	KIWI	BLUEBERRY accent
-222	CRANBERRY	BANANA accent
-223	GRAPE	KIWI accent
-224	BANANA	GRAPE accent
-225	STRAWBERRY	BANANA accent

NOTE: Last three digits in part number (suffix) designate color. Certain items not available with secondary color scheme.

**Concrete Anchor - Part No. 11-111560-000 must be used with Button Hd. Socket Cap Screw - Part No. 53-400301-003. To receive 4 each, order Part No. 53-860963-001.

N.A. = No Longer Available

Frameworkx Table Assembly with Pivot Arm and Swivel Seat



Framework Table Assembly with Pivot Arm and Swivel Seat

Index

No.	Part No.	Description
1.	*53-860971-xxx	Round End Table Top
2.	*53-860972-xxx	Trapezoidal Table Top
3.	*53-860973-xxx	Rectangular Table Top
4.	*53-860969-xxx	Triangular Table Top
5.	53-860943-000	Modesty Panel
6.	53-860949-000	Triangular Table Bracket
7.	53-400301-002	Bolt (3/8-16 x 1")
8.	53-400325-000	Modular Wall Leg Assembly
9.	53-400302-000	Hole Plugs
10.	N.A.	Concrete Anchor (3/8-16)
	**11-111560-000	Hilti Concrete Anchor (3/8-16 x 1-9/16")
11.	53-860945-000	Shelf Insert
12.	11-095011-000	Wood Insert
13.	53-400301-001	Button Hd. Cap Screw (3/8-16 x 2-1/4")
	**53-400301-003	Button Hd. Socket Cap Screw (3/8-16 x 3/4")
14.	11-006345-000	Button Hd. Cap Screw (3/8-16 x 1")
15.	53-860944-000	Modular Wall Ball Rack Accessory

* Color Chart

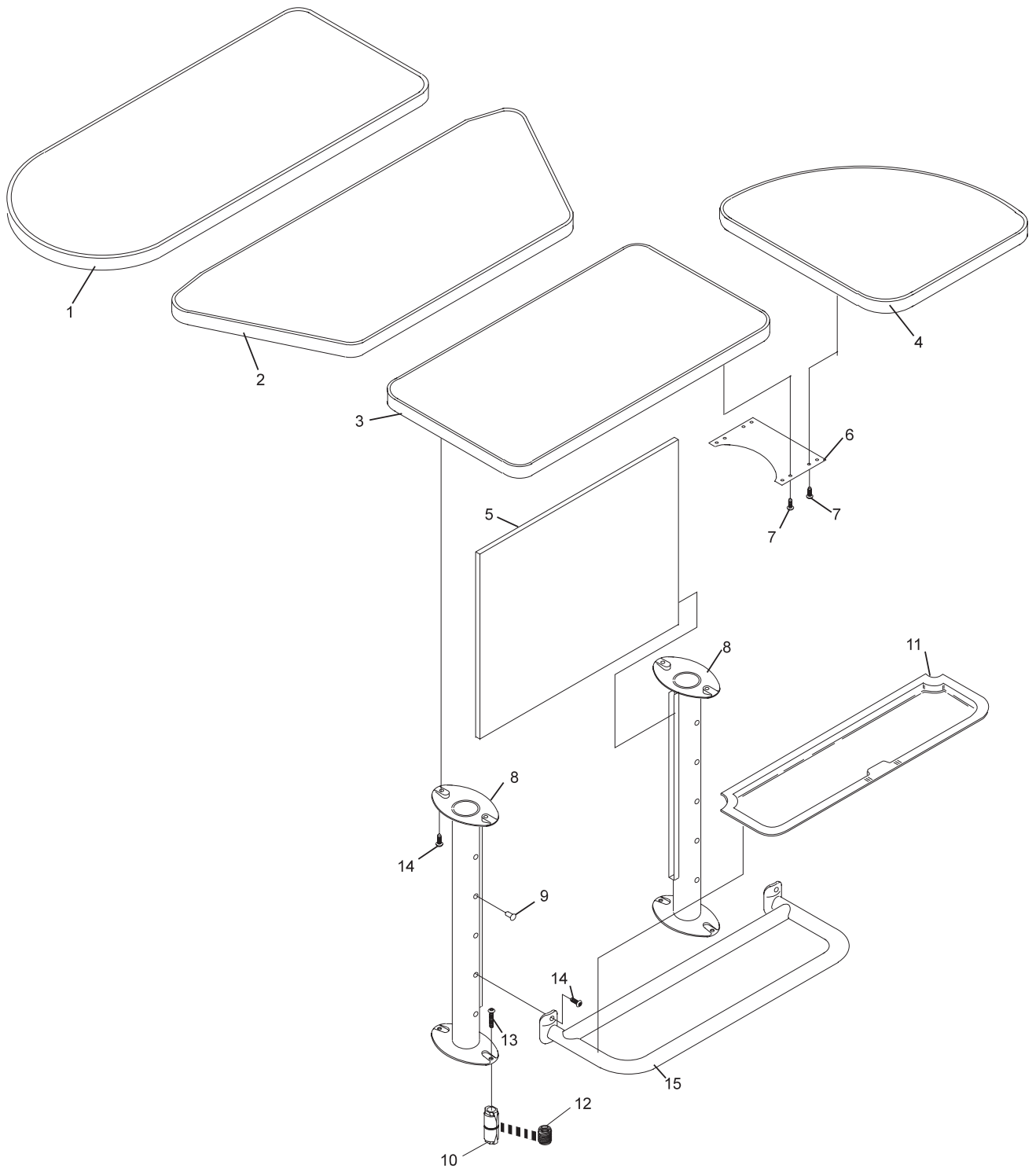
Part No. Suffix	Primary Color	Secondary Color
-104	ORANGE	
-105	GRAPE	
-113	DARK BLUE	
-116	DARK TEAL	
-101	DARK GREY	
-102	LIGHT GREY	
-220	BLUEBERRY	BANANA accent
-221	KIWI	BLUEBERRY accent
-222	CRANBERRY	BANANA accent
-223	GRAPE	KIWI accent
-224	BANANA	GRAPE accent
-225	STRAWBERRY	BANANA accent

N.A. = No Longer Available

NOTE: Last three digits in part number (suffix) designate color. Certain items not available with secondary color scheme.

**Concrete Anchor - Part No. 11-111560-000 must be used with Button Hd. Socket Cap Screw - Part No. 53-400301-003. To receive 4 each, order Part No. 53-860963-001.

Frameworkx Modular Wall Base Unit with Optional Storage Rack Assembly



Frameworx Modular Wall Base Unit with Optional Storage Rack Assembly

Index

No.	Part No.	Description
1.	*53-860959-000	Contour Seat (Package of 1)
2.	53-400357-000	Modular Wall Chair Weldment - Fixed/Swivel
3.	53-400109-000	Tube Cap (3")
4.	53-400165-000	Adapter Plate
5.	53-400437-000	60° Seat Swivel
6.	11-191010-001	Flat Washer (1/4)
7.	11-195014-001	Lockwasher (1/4)
8.	11-001178-001	Hex. Hd. Cap Screw (1/4-20 x 1/2")
9.	53-400301-001	Button Hd. Cap Screw (3/8-16 x 2-1/4")
	**53-400301-003	Button Hd. Socket Cap Screw (3/8-16 x 3/4")
10.	11-095011-000	Wood Insert
11.	N.A.	Concrete Anchor (3/8-16)
	**11-111560-000	Hilti Concrete Anchor (3/8-16 x 1-9/16")
12.	*53-400122-xxx	Plastic Fasteners for Inserts
13.	*N.A.	Front Insert (use index number 19)
14.	*N.A.	Front Decal (use index number 19)
15.	N.A.	Rear Insert - Gray (use index number 19)
16.	N.A.	Rear Decal (use index number 19)
17.	11-082862-001	Self Tapping Screw (#14-10 x 1")
18.	53-861066-000	Seat Back Cap w/Fasteners (Dark Grey)
19.	*53-860960-xxx	This package contains 1 each of item numbers: 13, 14, 15 and 16 and 48 each of item 12.

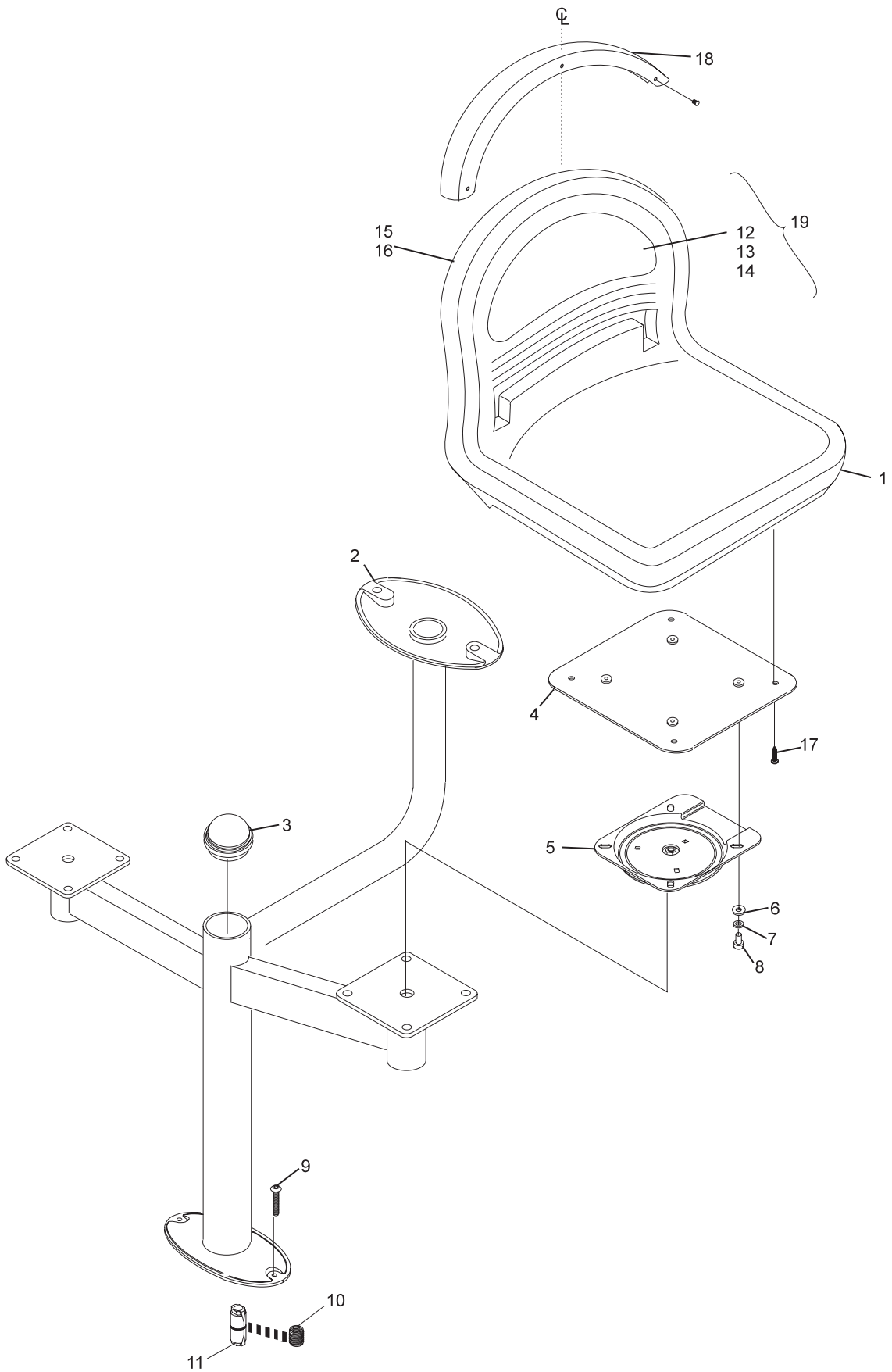
Part No. Suffix	Primary Color	Secondary Color
-104	ORANGE	
-105	GRAPE	
-113	DARK BLUE	
-116	DARK TEAL	
-101	DARK GREY	
-220	BLUEBERRY	BANANA accent
-221	KIWI	BLUEBERRY accent
-222	CRANBERRY	BANANA accent
-223	GRAPE	KIWI accent
-224	BANANA	GRAPE accent
-225	STRAWBERRY	BANANA accent

N.A. = No Longer Available

NOTE: Last three digits in part number (suffix) designate color. Certain items not available with secondary color scheme.

**Concrete Anchor - Part No. 11-111560-000 must be used with Button Hd. Socket Cap Screw - Part No. 53-400301-003. To receive 4 each, order Part No. 53-860963-001.

Frameworkx Modular Wall Seating with Fixed Arm and Swivel Seat



Frameworkx Modular Wall Seating with Fixed Arm and Swivel Seat

Index

No.	Part No.	Description
1.	*53-860959-000	Contour Seat (Pkg. of 1)
2.	53-400165-000	Adapter Plate
3.	53-400360-000	Modular Wall Chair Weldment - Pivot/Swivel
4.	53-400437-000	60° Seat Swivel
	53-400231-000	45° Seat Swivel
5.	53-400131-000	Shaft Detail
6.	53-400435-000	L.H. Arm Weldment - Pivot/Swivel
7.	11-103204-001	Set Screw (5/16-18 x 1/2")
8.	53-400132-000	Swing Arm Bumper
9.	N.A.	Concrete Anchor (3/8-16)
	**11-111560-000	Hilti Concrete Anchor (3/8-16 x 1-9/16")
10.	53-400229-000	Spring Sleeve
11.	53-400124-000	Pivot Spring (right-hand wound)
12.	53-400130-000	Swivel Bearing
13.	53-400434-000	R.H. Arm Weldment - Pivot/Swivel
14.	11-191010-001	Flat Washer (1/4)
15.	11-195014-001	Lockwasher (1/4)
16.	11-001178-001	Hex. Hd. Cap Screw (1/4-20 x 1/2")
17.	53-400301-001	Button Hd. Cap Screw (3/8-16 x 2-1/4")
	**53-400301-003	Button Hd. Socket Cap Screw (3/8-16 x 3/4")
18.	11-095011-000	Wood Insert
19.	11-082862-001	Self Tapping Screw (#14-10 x 1")
20.	*53-400122-xxx	Plastic Fasteners for Inserts
21.	*N.A.	Front Insert (use index number 19)
22.	*N.A.	Front Decal (use index number 19)
23.	N.A.	Rear Insert - Gray (use index number 19)
24.	N.A.	Rear Decal (use index number 19)
25.	53-861066-000	Seat Back Cap w/Fasteners (Dark Grey)
26.	*53-860960-xxx	This package contains 1 each of item numbers 21, 22, 23 and 24 and 48 each of item 20.
27.	53-400125-000	Pivot Spring (left-hand wound)

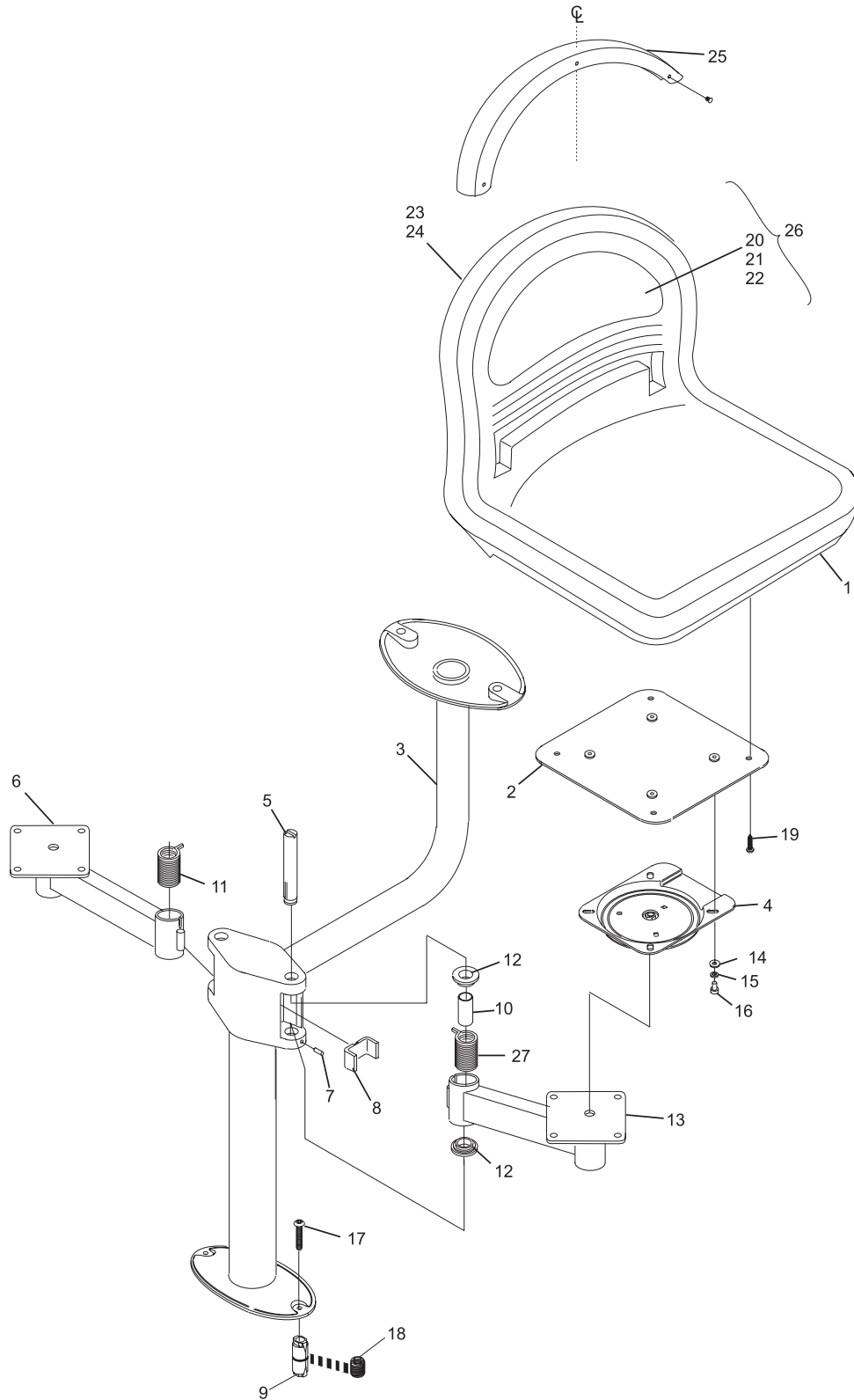
Part No. Suffix	Primary Color	Secondary Color
-104	ORANGE	
-105	GRAPE	
-113	DARK BLUE	
-116	DARK TEAL	
-101	DARK GREY	
-220	BLUEBERRY	BANANA accent
-221	KIWI	BLUEBERRY accent
-222	CRANBERRY	BANANA accent
-223	GRAPE	KIWI accent
-224	BANANA	GRAPE accent
-225	STRAWBERRY	BANANA accent

N.A. = No Longer Available

NOTE: Last three digits in part number (suffix) designate color. Certain items not available with secondary color scheme.

**Concrete Anchor - Part No. 11-111560-000 must be used with Button Hd. Socket Cap Screw - Part No. 53-400301-003. To receive 4 each, order Part No. 53-860963-001.

Frameworkx Modular Wall Seating with Pivot Arm and Swivel Seat



Frameworkx Modular Wall Seating with Pivot Arm and Swivel Seat

Index

No.	Part No.	Description
1.	*53-860970-xxx	Round Table Top
2.	11-006345-000	Button Hd. Cap Screw (3/8-16 x 1")
3.	53-860964-000	Round Table Frame
4.	53-400301-001	Button Hd. Cap Screw (3/8-16 x 2-1/4")
	**53-400301-003	Button Hd. Socket Cap Screw (3/8-16 x 3/4")
5.	N.A.	Concrete Anchor (3/8-16)
	**11-111560-000	Hilti Concrete Anchor (3/8-16 x 1-9/16")
6.	11-095011-000	Wood Insert (3/8-16)

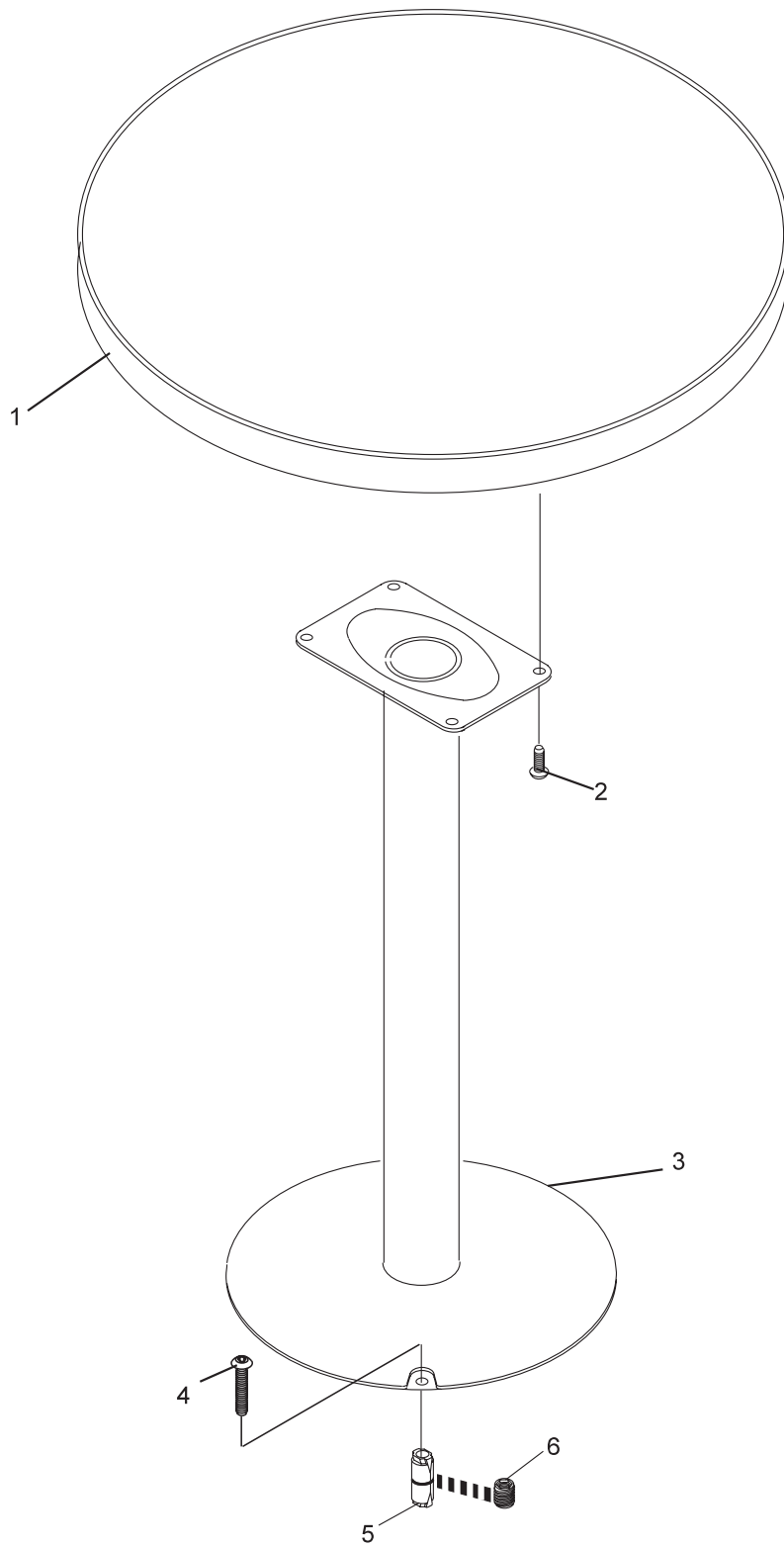
Part No. Suffix	Primary Color	Secondary Color
-104	ORANGE	
-105	GRAPE	
-113	DARK BLUE	
-116	DARK TEAL	
-101	DARK GREY	
-220	BLUEBERRY	BANANA accent
-221	KIWI	BLUEBERRY accent
-222	CRANBERRY	BANANA accent
-223	GRAPE	KIWI accent
-224	BANANA	GRAPE accent
-225	STRAWBERRY	BANANA accent

N.A. = No Longer Available

NOTE: Last three digits in part number (suffix) designate color. Certain items not available with secondary color scheme.

** Concrete Anchor - Part No. 11-111560-000 must be used with Button Hd. Socket Cap Screw - Part No. 53-400301-003. To receive 4 each, order Part No. 53-860963-001.

Frameworkx Stand-Alone Round Table



Frameworx Stand-Alone Round Table

Index

No.	Part No.	Description
1.	*53-860969-xxx	Triangular Table Top
2.	53-400301-001	Button Hd. Cap Screw (3/8-16 x 2-1/4")
	**53-400301-003	Button Hd. Socket Cap Screw (3/8-16 x 3/4")
3.	53-860966-000	Triangular Table Base
4.	11-006345-000	Button Hd. Cap Screw (3/8-16 x 1")
5.	53-400361-000	Rail
6.	N.A.	Concrete Anchor (3/8-16)
	**11-111560-000	Hilti Concrete Anchor (3/8-16 x 1-9/16")
7.	11-095011-000	Wood Insert (3/8-16)
8.	11-190512-001	Plain Washer (#13 x 32)
9.	11-001354-001	Hex Head Machine Screw (3/8-16 x 2-1/2")

* Color Chart

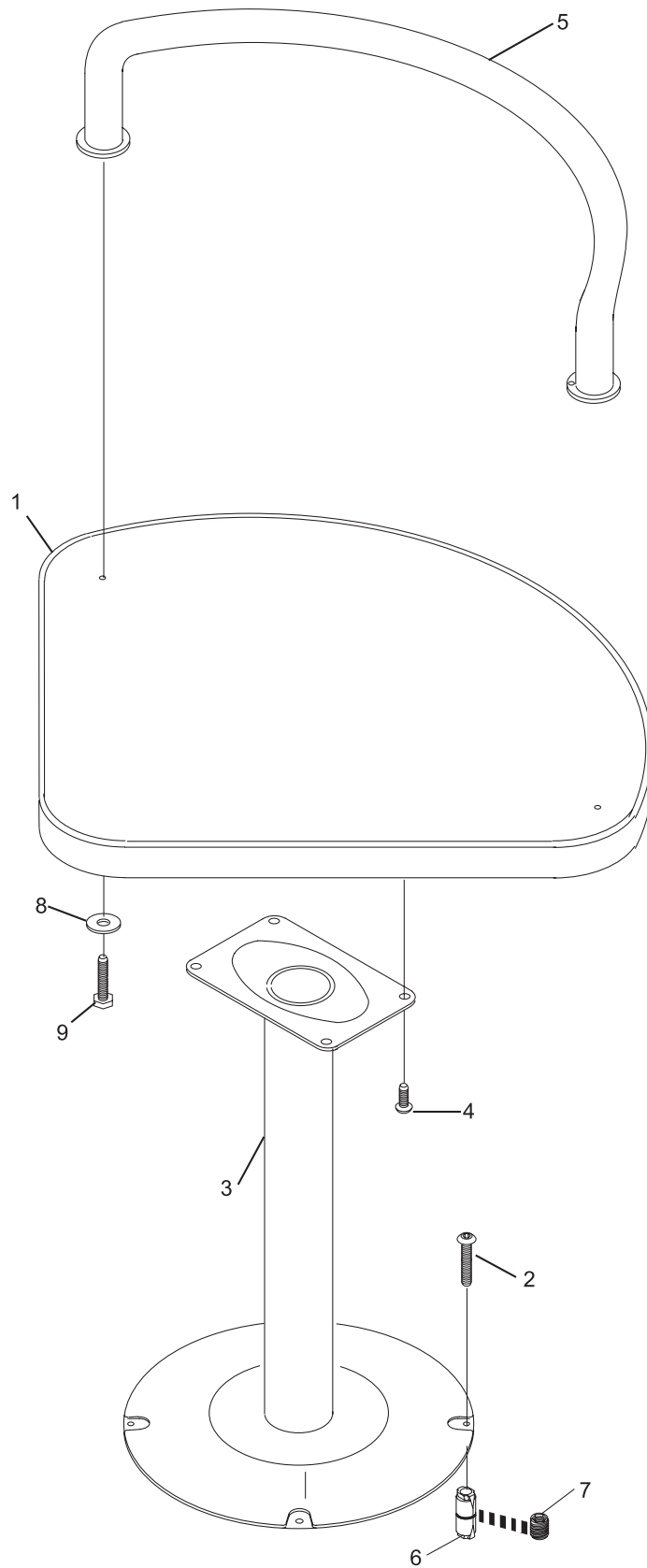
Part No. Suffix	Primary Color	Secondary Color
-104	ORANGE	
-105	GRAPE	
-113	DARK BLUE	
-116	DARK TEAL	
-101	DARK GREY	
-220	BLUEBERRY	BANANA accent
-221	KIWI	BLUEBERRY accent
-222	CRANBERRY	BANANA accent
-223	GRAPE	KIWI accent
-224	BANANA	GRAPE accent
-225	STRAWBERRY	BANANA accent

N.A. = No Longer Available

NOTE: Last three digits in part number (suffix) designate color. Certain items not available with secondary color scheme.

**Concrete Anchor - Part No. 11-111560-000 must be used with Button Hd. Socket Cap Screw - Part No. 53-400301-003. To receive 4 each, order Part No. 53-860963-001.

Frameworkx Stand-Alone Triangular Table



Frameworkx Stand-Alone Triangular Table

Index

No.	Part No.	Description
1.	*53-860970-xxx	Round Table Top
2.	11-006345-000	Button Hd. Cap Screw (3/8-16 x 1")
3.	53-860963-000	Round Ball Rack
4.	53-400301-001	Button Hd. Cap Screw (3/8-16 x 2-1/4")
	**53-400301-003	Button Hd. Socket Cap Screw (3/8-16 x 3/4")
5.	53-860990-000	Wood Insert (3/8-16)
6.	N.A.	Concrete Anchor (3/8-16)
	**11-111560-000	Hilti Concrete Anchor (3/8-16 x 1-9/16")

* Color Chart

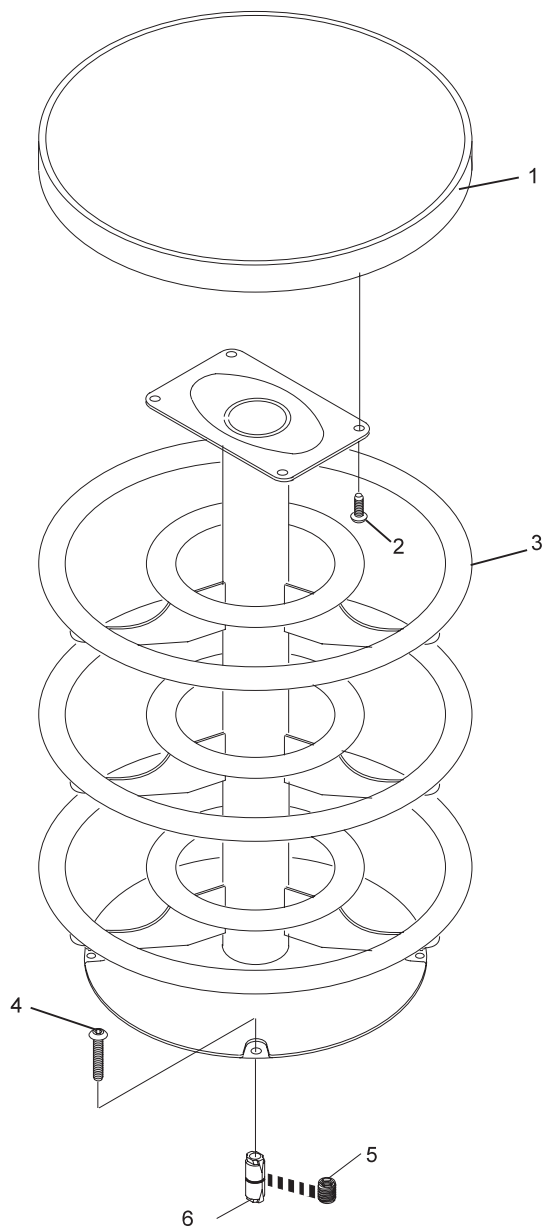
Part No. Suffix	Primary Color	Secondary Color
-104	ORANGE	
-105	GRAPE	
-113	DARK BLUE	
-116	DARK TEAL	
-101	DARK GREY	
-102	LIGHT GREY	
-220	BLUEBERRY	BANANA accent
-221	KIWI	BLUEBERRY accent
-222	CRANBERRY	BANANA accent
-223	GRAPE	KIWI accent
-224	BANANA	GRAPE accent
-225	STRAWBERRY	BANANA accent

N.A. = No Longer Available

NOTE: Last three digits in part number (suffix) designate color. Certain items not available with secondary color scheme.

**Concrete Anchor - Part No. 11-111560-000 must be used with Button Hd. Socket Cap Screw - Part No. 53-400301-003. To receive 4 each, order Part No. 53-860963-001.

Frameworkx Round Ball Rack Table



Frameworx Round Ball Rack Table

Index

No.	Part No.	Description
1.	*53-860970-xxx	Round Table Top
2.	11-006345-000	Button Hd. Cap Screw (3/8-16 x 1")
3.	53-860963-000	Round Ball Rack
4.	53-400301-001	Button Hd. Cap Screw (3/8-16 x 2-1/4")
	**53-400301-003	Button Hd. Socket Cap Screw (3/8-16 x 3/4")
5.	53-860990-000	Wood Insert (3/8-16)
6.	N.A.	Concrete Anchor (3/8-16)
	**11-111560-000	Hilti Concrete Anchor (3/8-16 x 1-9/16")

* Color Chart

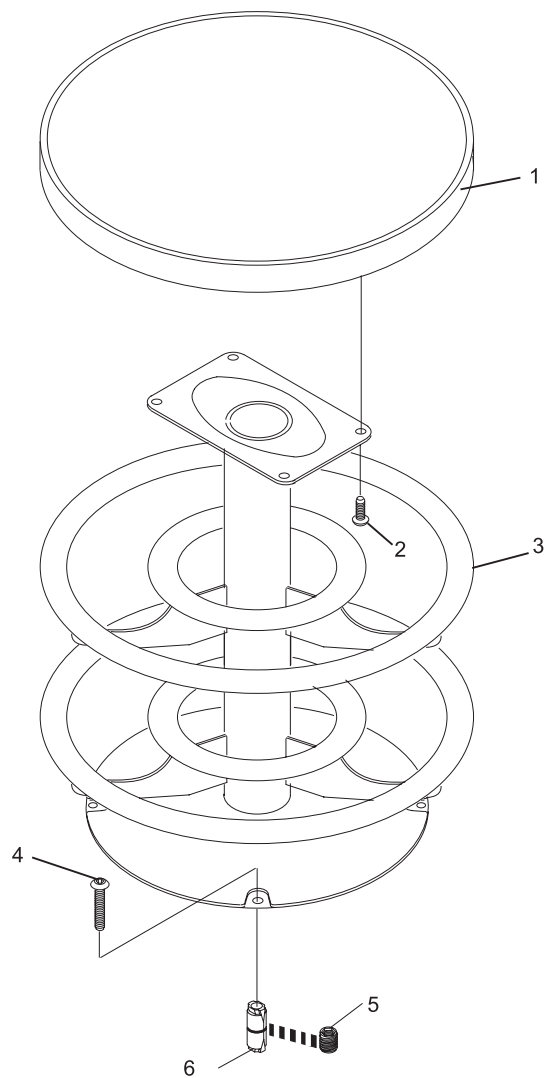
Part No. Suffix	Primary Color	Secondary Color
-104	ORANGE	
-105	GRAPE	
-113	DARK BLUE	
-116	DARK TEAL	
-101	DARK GREY	
-220	BLUEBERRY	BANANA accent
-221	KIWI	BLUEBERRY accent
-222	CRANBERRY	BANANA accent
-223	GRAPE	KIWI accent
-224	BANANA	GRAPE accent
-225	STRAWBERRY	BANANA accent

N.A. = No Longer Available

NOTE: Last three digits in part number (suffix) designate color. Certain items not available with secondary color scheme.

**Concrete Anchor - Part No. 11-111560-000 must be used with Button Hd. Socket Cap Screw - Part No. 53-400301-003. To receive 4 each, order Part No. 53-860963-001.

Frameworkx Two Tier Round Ball Rack with Table



Frameworkx Two Tier Round Ball Rack with Table

Index

No.	Part No.	Description
1.	*53-860974-xxx	Wall Rack Table Top
2.	53-860950-000	Wall Ball Rack with Top Frame
3.	11-006345-000	Button Hd. Cap Screw (3/8-16 x 1")
4.	53-400301-001	Button Hd. Cap Screw (3/8-16 x 2-1/4")
	**53-400301-003	Button Hd. Socket Cap Screw (3/8-16 x 3/4")
5.	N.A.	Concrete Anchor (3/8-16)
	**11-111560-000	Hilti Concrete Anchor (3/8-16 x 1-9/16")
6.	11-095011-000	Wood Insert

* Color Chart

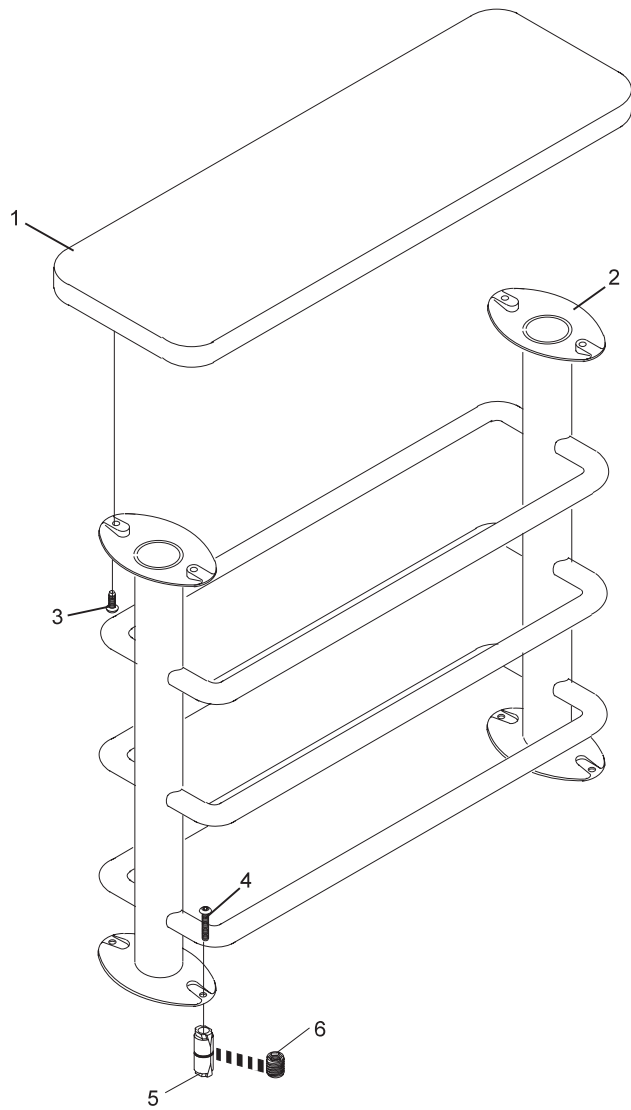
Part No. Suffix	Primary Color	Secondary Color
-104	ORANGE	
-105	GRAPE	
-113	DARK BLUE	
-116	DARK TEAL	
-101	DARK GREY	
-102	LIGHT GREY	
-220	BLUEBERRY	BANANA accent
-221	KIWI	BLUEBERRY accent
-222	CRANBERRY	BANANA accent
-223	GRAPE	KIWI accent
-224	BANANA	GRAPE accent
-225	STRAWBERRY	BANANA accent

N.A. = No Longer Available

NOTE: Last three digits in part number (suffix) designate color. Certain items not available with secondary color scheme.

** Concrete Anchor - Part No. 11-111560-000 must be used with Button Hd. Socket Cap Screw - Part No. 53-400301-003. To receive 4 each, order Part No. 53-860963-001.

Frameworkx Wall Ball Rack with Top



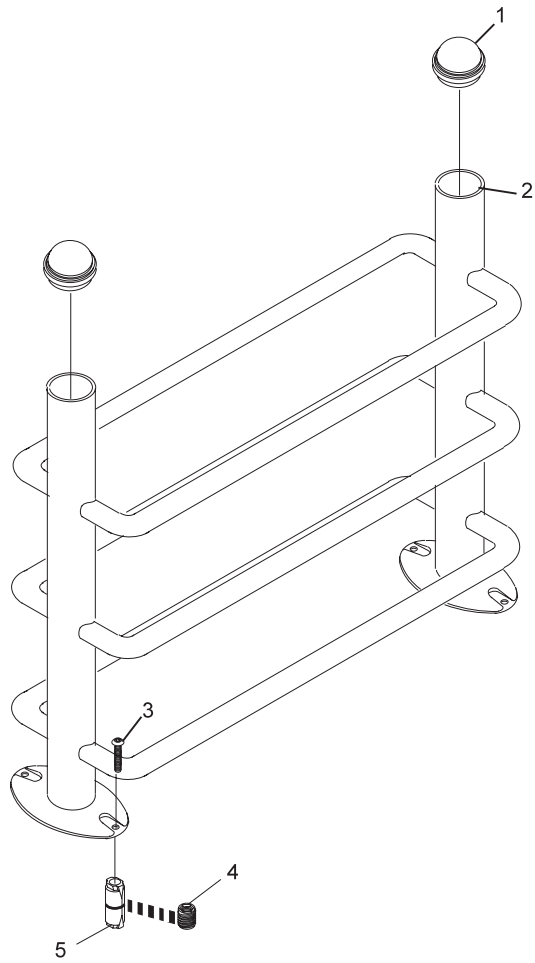
Frameworx Wall Ball Rack with Top

Index No.	Part No.	Description
1.	53-400183-000	Tube Cap (4")
2.	53-860951-000	Wall Ball Rack without Top Frame
3.	53-400301-001	Button Hd. Cap Screw (3/8-16 x 2-14")
	*53-400301-003	Button Hd. Socket Cap Screw (3/8-16 x 3/4")
4.	11-095011-000	Wood Insert (3/8-16)
5.	N.A.	Concrete Anchor (3/8-16)
	*11-111560-000	Hilti Concrete Anchor (3/8-16 x 1-9/16")

N.A. = No Longer Available

* Concrete Anchor - Part No. 11-111560-000 must be used with Button Hd.Socket Cap Screw - Part No. 53-400301-003. To receive 4 each, order Part No. 53-860963-001.

Frameworkx Wall Ball Rack without Top



Frameworx Wall Ball Rack without Top

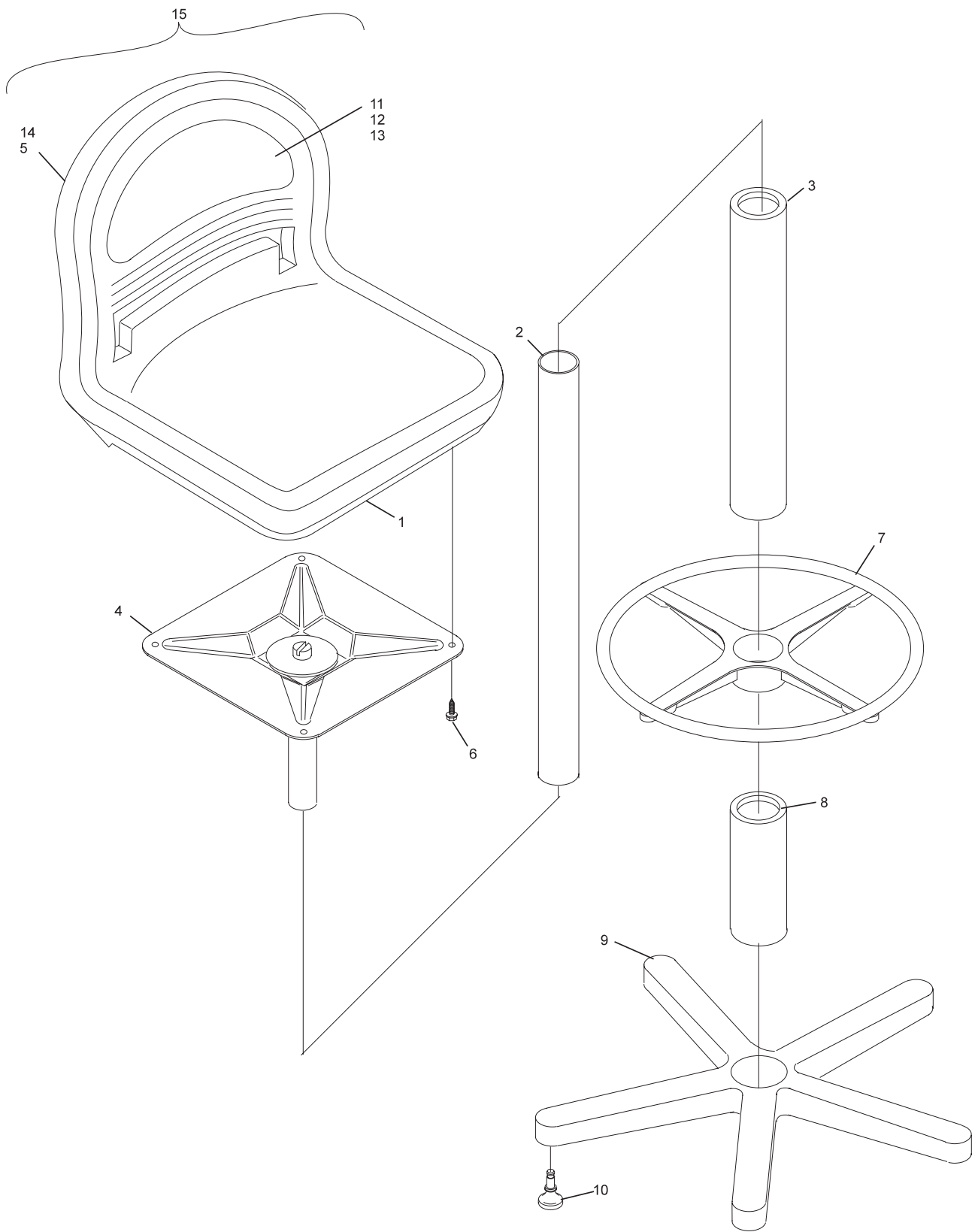
Index

No.	Part No.	Description
1.	*53-860959-000	Contour Seat (Package of 2)
2.	53-400193-000	Column Assembly with Bushing
3.	53-400192-000	Upper Cover Tube
4.	53-400189-000	Seat Plate Assembly
5.	*N.A.	Rear Decal (use index number 15)
6.	11-082862-001	Screw - Self Tapping
7.	53-400196-000	Foot Rest Assembly
8.	53-400191-000	Lower Cover Tube
9.	53-400194-000	Chair Base
10.	53-400195-000	Chair Glide
11.	53-400122-xxx	Plastic Fastener for Inserts
12.	*N.A.	Front Insert (use index number 15)
13.	*N.A.	Front Decal (use index number 15)
14.	N.A.	Rear Insert - Gray (use index number 15)
15.	*53-860960-xxx	This package contains 1 each of item numbers 12, 13, 5 and 14 and 48 each of item 11.

Part No. Suffix	Primary Color	Secondary Color
-104	ORANGE	
-105	GRAPE	
-113	DARK BLUE	
-116	DARK TEAL	
-101	DARK GREY	
-220	BLUEBERRY	BANANA accent
-221	KIWI	BLUEBERRY accent
-222	CRANBERRY	BANANA accent
-223	GRAPE	KIWI accent
-224	BANANA	GRAPE accent
-225	STRAWBERRY	BANANA accent

NOTE: Last three digits in part number (suffix) designate color. Certain items not available with secondary color scheme.

Frameworkx Freestanding Chair (Tall)



Framework Freestanding Chair (Tall)

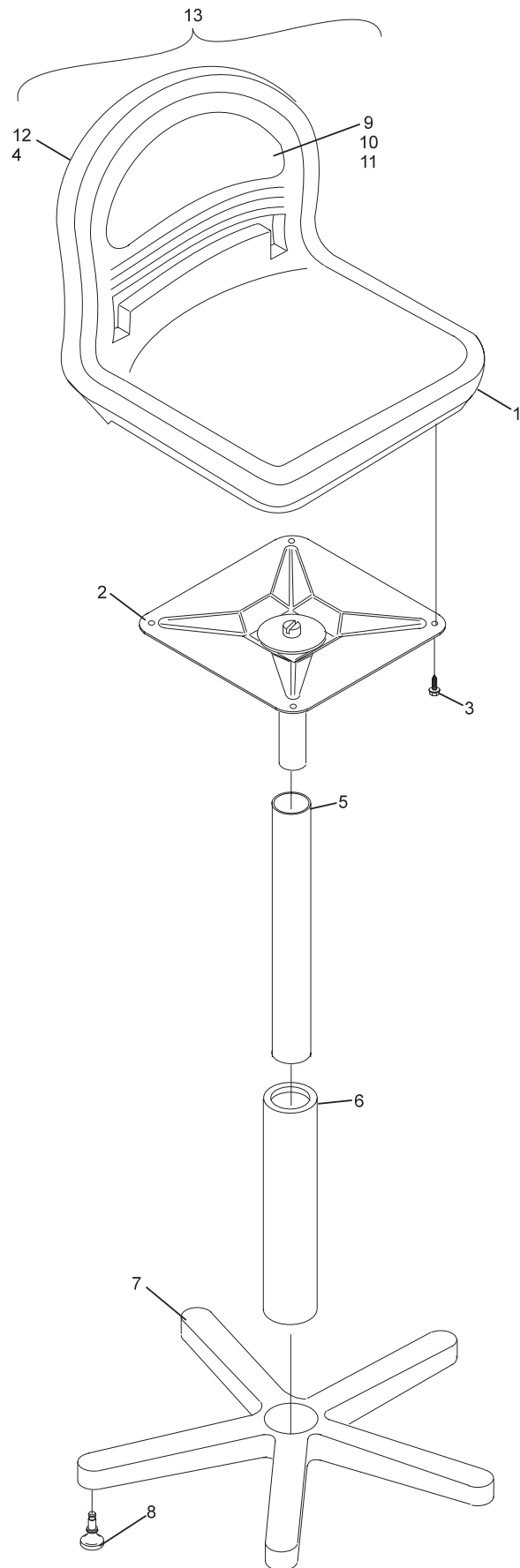
Index

No.	Part No.	Description
1.	*53-860959-000	Contour Seat (Package of 1)
2.	53-400189-000	Seat Plate Assembly
3.	11-082862-001	Screw - Self Tapping
4.	N.A.	Rear Insert - Gray (use index number 13)
5.	53-400203-000	Column Assembly with Bushing (13-11/16" Length)
	53-400422-000	Column Assembly with Bushing (12-1/2" Length)
6.	53-400201-000	Cover Tube Assembly
7.	53-400194-000	Chair Base
8.	53-400195-000	Chair Glide
9.	*53-400122-xxx	Plastic Fasteners for Inserts
10.	*N.A.	Front Insert (use index number 13)
11.	*N.A.	Front Decal (use index number 13)
12.	*N.A.	Rear Insert - Gray (use index number 19)
13.	*53-860960-xxx	This package contains 1 each of item numbers 10, 11, 4 and 12 and 48 each of item 9.

Part No. Suffix	Primary Color	Secondary Color
-104	ORANGE	
-105	GRAPE	
-113	DARK BLUE	
-116	DARK TEAL	
-101	DARK GREY	
-220	BLUEBERRY	BANANA accent
-221	KIWI	BLUEBERRY accent
-222	CRANBERRY	BANANA accent
-223	GRAPE	KIWI accent
-224	BANANA	GRAPE accent
-225	STRAWBERRY	BANANA accent

NOTE: Last three digits in part number (suffix) designate color. Certain items not available with secondary color scheme.

Frameworkx Freestanding Chair (Short)



Frameworkx Freestanding Chair (Short)