

Section J

**RETURN TRACK
&
DROPSWEEPS**

Index No.	Part No.	Description
1.	11-176006-001	Keps Nut (10-24)
2.	N.A.	C.R. Rd. Hd. Machine Screw (10-24 x 3/8")
3.	11-190012-001	Plain Washer (5/16)
4.	11-176001-001	Keps Nut (5/16-18)
5.	19-204370-000	Transition Track w/Leather
	53-860802-000	GS Series Transition Track w/Transfer Track
*6.	19-204375-000	Leather Only
7.	19-204362-000	Polishing Retarder
8.	11-335155-000	Cotter Pin (3/32 x 3/4")
9.	N.A.	Retarder Frame Only
10.	53-520386-000	Attaching Yoke
11.	19-204350-000	Carpet w/Backing Plate
12.	19-204352-000	Carpet Only
13.	19-204356-000	Hanger Bracket (Retarder)
14.	N.A.	Track Support w/Vinyl (145") Pit End & Intermediate
*15.	53-520095-014	Vinyl Track (74")
16.	19-204207-000	Hanger Bracket
17.	11-015367-001	Sems Hex Hd. Machine Screw (5/16-18 x 3/4")
18.	N.A.	C.R. B. Hd. Machine Screw (8-32 x 3/8")
19.	11-198002-001	External Tooth Lockwasher (#8)
20.	53-520177-000	Hold Down Clamp
21.	53-520292-000	Tie Bracket
22.	N.A.	Staple (For Reset Cable)
23.	19-204229-000	Splice Clip
24.	19-204231-000	Nut Plate (5/16-18)
25.	N.A.	Staple
26.	19-204200-000	Track Support w/Vinyl (83") For Cluster Rack Only
27.	N.A.	Track Support w/Vinyl (145") Retarder End
28.	N.A.	Complete Set of Hardware for Access Door
29.	11-005266-001	Hex Socket Hd. Cap Screw (5/16-18 x 1-1/4")
30.	12-100344-002	Gasket
31.	N.A.	Weld Nut (5/16)
32.	11-125202-001	Hex Jam Nut (5/16-18)
33.	53-520198-000	Track Support w/Vinyl (10-3/4")
34.	N.A.	Cement (Quart) - Not Illustrated
35.	N.A.	Polishing Retarder Conversion Kit - Complete
36.	53-860453-000	Ball Wiper Cloth Only
37.	53-520385-000	Spring Rod
38.	53-520383-000	Spring Clip
39.	53-520382-000	Rod
40.	53-520384-000	Spring
41.	11-261502-000	Copper Rivet w/Washer
42.	11-261501-000	Copper Rivet w/ Washer
43.	19-204367-000	Leather Only
44.	19-204368-000	Leather Tab Only
45.	53-520405-000	Ball Wiper Cloth Only

N.A. = No Longer Available

* Vinyl Track replacement. Cut to fit required length.

** Transition Track and Transfer Track order part number 53-860802-000

Subway Return Track

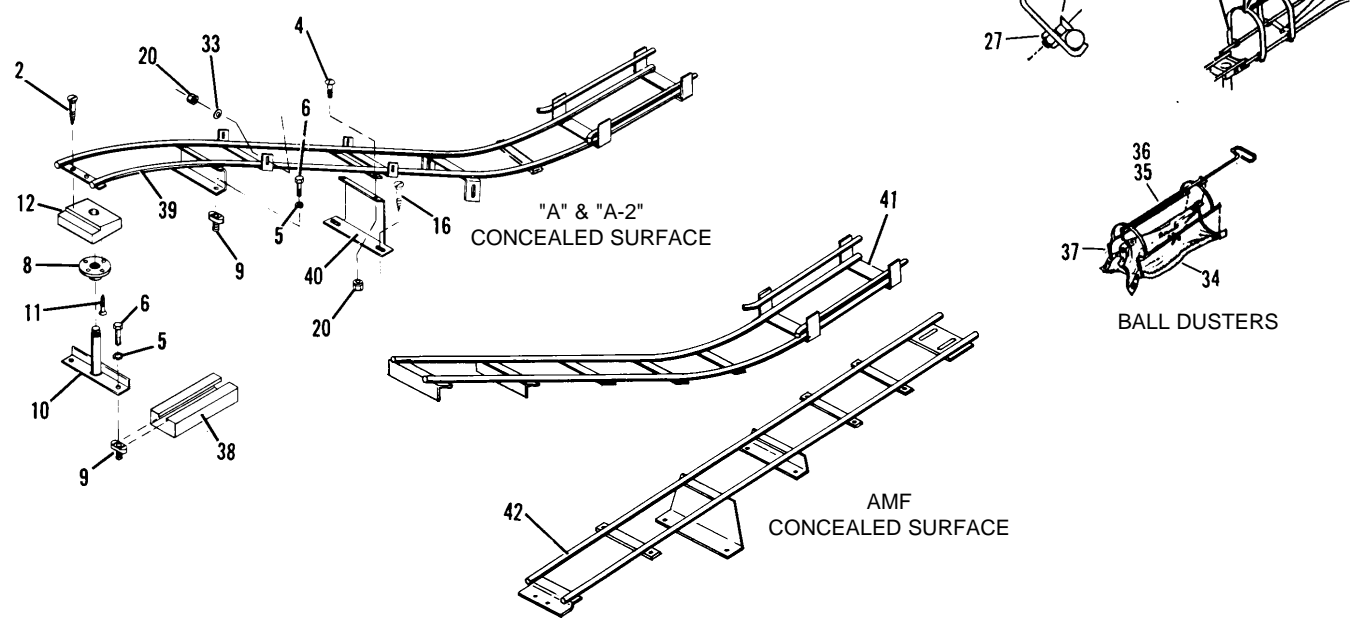
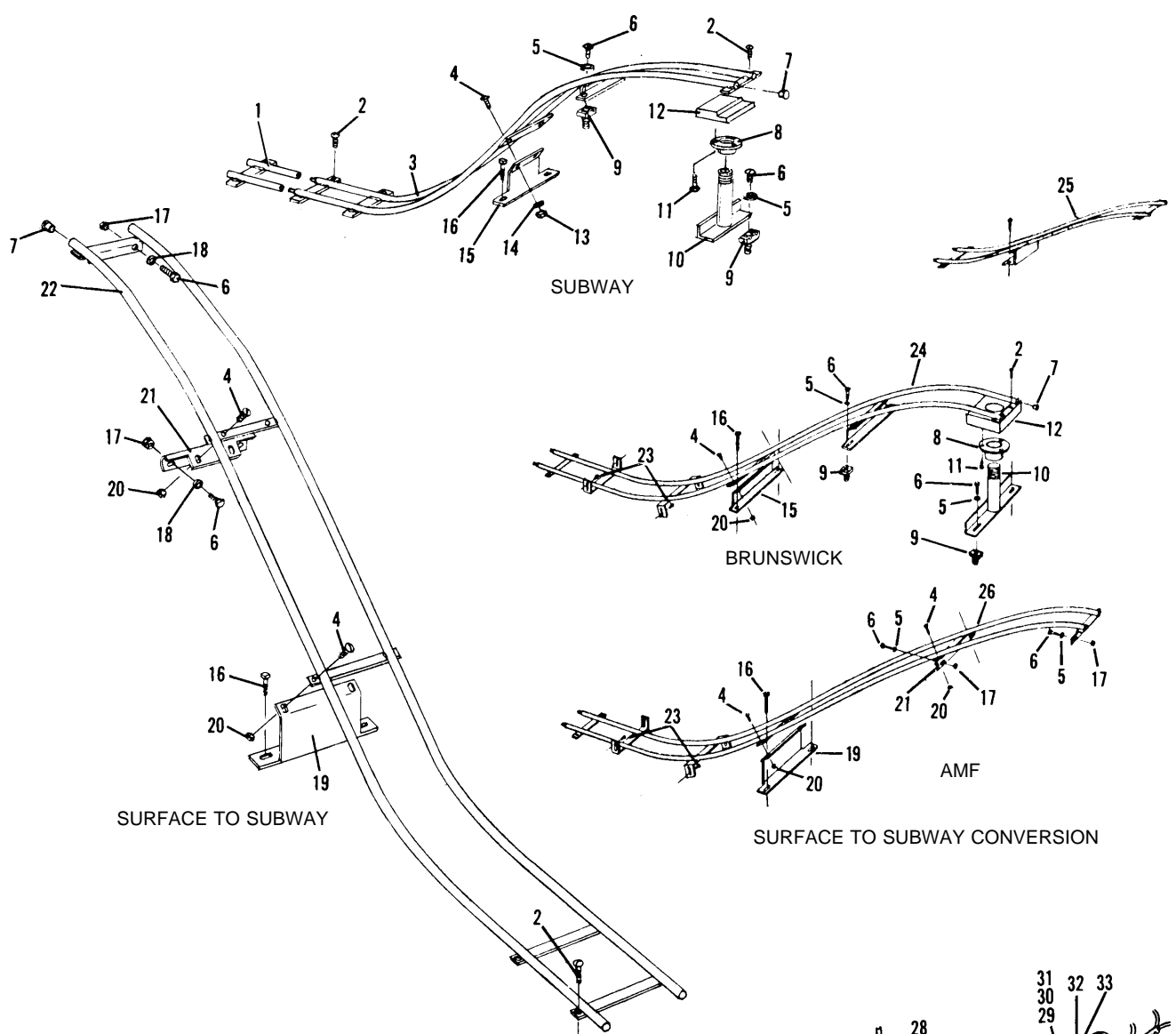
Index No.	Part No.	Description
1.	12-502445-000	Dropsweep Extension
2.	11-042123-001	Slted. Rd. Hd. Wood Screw (#12 x 3/4")
3.	*N.A.	Dropsweep - See Note
4.	11-107147-001	Slted. Rd. Hd. Machine Screw (1/4-20 x 5/8")
5.	11-195015-001	Lockwasher (5/16)
6.	11-001264-001	Hex Hd. Cap Screw (5/16-18 x 1")
7.	N.A.	Plug (3/4)
8.	N.A.	Flange
9.	11-180003-001	Clamp Nut (5/16-18)
10.	19-088437-000	Support
11.	N.A.	Slted. Flat Hd. Wood Screw (1/4 x 1-1/2")
12.	19-088440-000	Block
13.	11-125007-001	Hex Nut (1/4-20)
14.	11-195014-001	Lockwasher (1/4)
15.	N.A.	Support Bracket
16.	N.A.	Hex Hd. Lag Screw (1/4 x 1-1/4)
17.	11-176001-001	Keps Nut (5/16-18)
18.	11-190012-001	Plain Washer (5/16)
19.	19-088338-000	Support Bracket
20.	11-176000-001	Keps Nut (1/4-20)
21.	19-088341-000	Attaching Bracket
22.	19-202698-000	Dropsweep - AMF Surface to Subway Conversion
23.	11-001178-001	Hex Hd. Cap Screw (1/4-20 x 1/2")
24.	**19-202567-000	Dropsweep - Pit End (See Note)
25.	N.A.	Dropsweep - Approach End
26.	N.A.	AMF Dropsweep - Pit End
27.	11-125104-001	Hex Nut (3/8-16)
28.	11-007346-001	Flat Socket Hd. Cap Screw (3/8-16 x 1-1/4")
29.	29-088559-000	Frame Holder - Standard Automatic Pinsetter
30.	29-203256-000	Frame Holder - Rear Wall Automatic Pinsetter
31.	12-502442-000	Frame Holder - Jet Back Equipped Pinsetter
32.	N.A.	Wing Bolt (1/4-20 x 1/2")
33.	11-190010-001	Plain Washer (1/4)
34.	61-860028-000	Apron (All Models)
35.	N.A.	Frame w/Short Handle - Rear Wall and Jet Back
36.	29-088557-000	Frame w/Long Handle - Standard Pinsetter
37.	29-088568-000	Spring
38.	N.A.	Channel
39.	N.A.	Dropsweep Assembly
40.	53-520284-000	Support Bracket
41.	N.A.	AMF Dropsweep Assembly
42.	N.A.	Approach Dropsweep

N.A. = No Longer Available

* Also used for Model A Pinsetter w/Ball Boosters to AMF Subway or Surface Track. See Adapters in A/P Catalog.

** This track must be cut off for use with Jet Back Conversion installations.

Dropsweep Assemblies & Ball Dusters

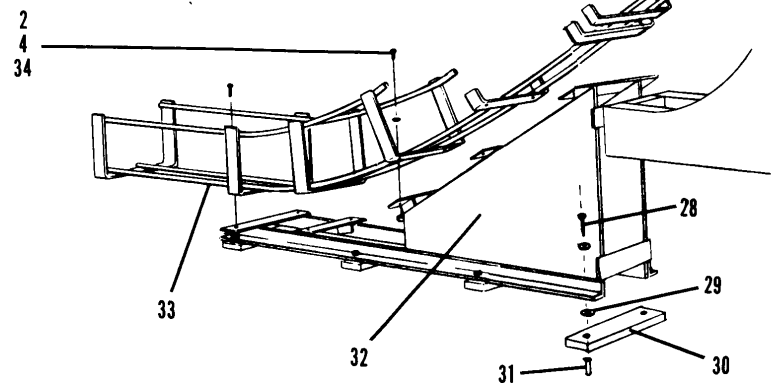
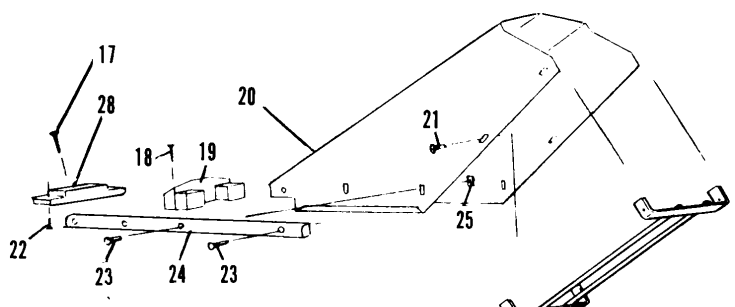
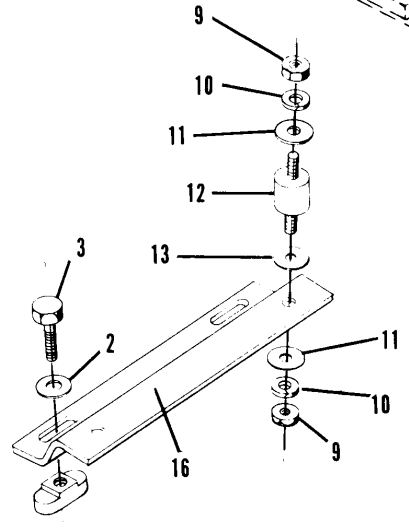
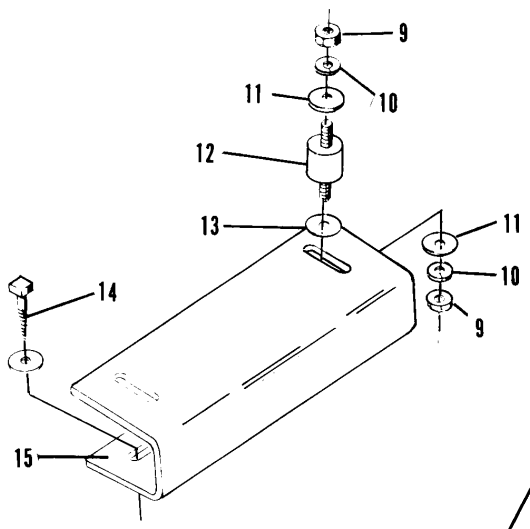
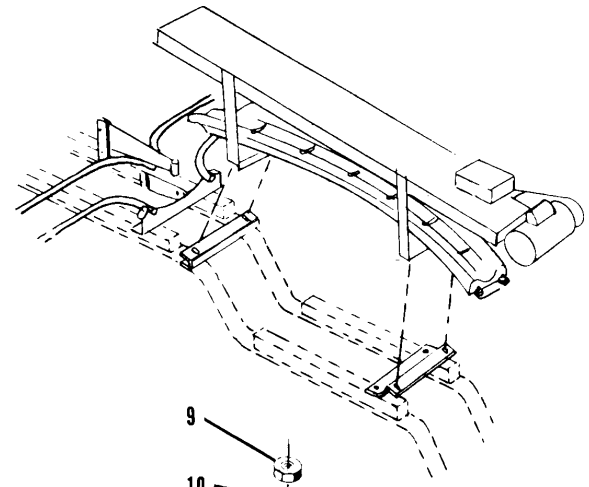
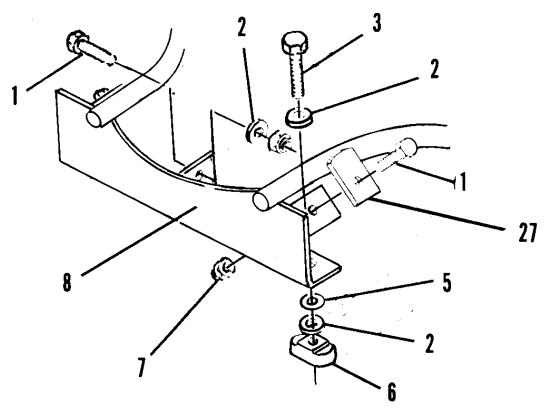


Dropsweep Assemblies & Ball Dusters

Index No.	Part No.	Description
1.	11-001263-001	Hex Hd. Cap Screw (5/16-18 x 7/8")
2.	11-190012-001	Plain Washer (5/16)
3.	11-001268-001	Hex Hd. Cap Screw (5/16-18 x 1-1/2")
4.	11-176001-001	Keps Nut (5/16-18)
5.	12-350118-005	Shim
6.	11-180003-001	Clamp Nut (5/16-18)
7.	11-170009-001	Self Locking Nut (5/16-18)
8.	N.A.	Bracket
9.	11-125202-001	Hex Jam Nut (5/16-18)
10.	11-195015-001	Lockwasher (5/16)
11.	N.A.	Plain Washer
12.	10-675001-000	Rubber Mount
13.	11-190527-001	Plain Washer
14.	N.A.	Hex Hd. Lag Screw (5/16 x 1-1/2")
15.	N.A.	Bracket
16.	N.A.	Bracket
17.	11-043164-002	C.R. Oval Hd. Wood Screw (#16 x 3")
18.	N.A.	Std. Flat Hd. Wood Screw (#14 x 2-1/2")
19.	19-204533-000	Cover Support
20.	N.A.	Dropsweep Cover - Gray
	N.A.	Dropsweep Cover - "2000" Brown
21.	11-024288-001	C.R. T. Hd. Machine Screw (1/4-20 x 5/8")
22.	N.A.	Flat Hd. Wood Screw (#10 x 1-1/4")
23.	15-612306-000	C.R. Flat Hd. Machine Screw w/Nylok (1/4-20 x 1")
24.	N.A.	Cover Strip - Gray
	53-520402-010	Cover Strip - Brown
25.	11-179020-001	Grip Nut (1/4-20)
26.	19-204225-000	Cover Support
27.	N.A.	Bracket
28.	N.A.	Hex Hd. Lag Screw (3/8 x 3")
29.	11-190016-001	Plain Washer (7/16)
30.	19-204226-000	Maple Shim
31.	N.A.	Concrete Fastener (3/8-16)
32.	N.A.	Dropsweep Support
33.	N.A.	Dropsweep
34.	11-001264-001	Hex Hd. Machine Screw (5/16-18 x 1")

N.A. = No Longer Available

FOR BALL ACCELERATOR
PARTS BREAKDOWN SEE
AUTOMATIC PINSETTER CATALOG

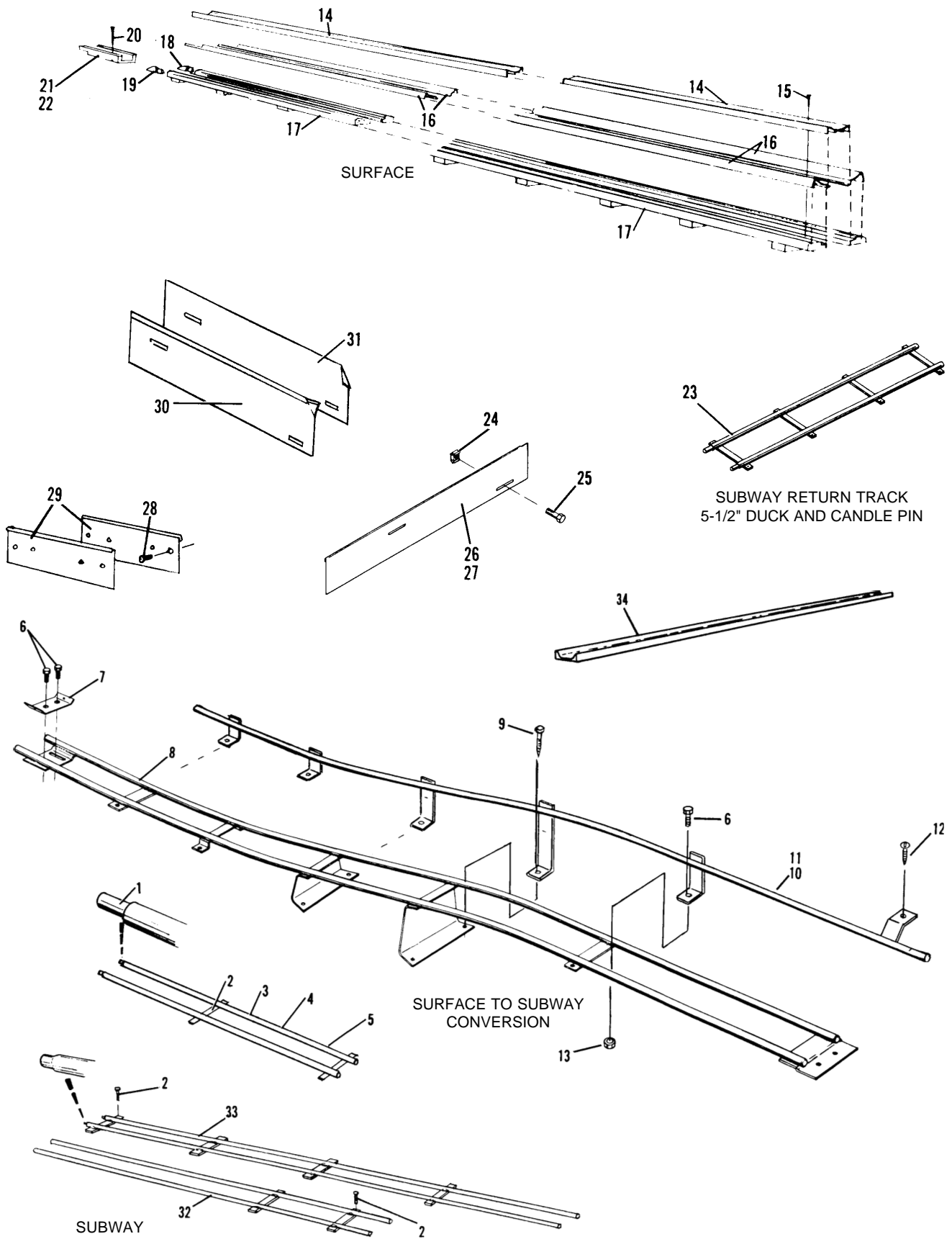


Jet-Back Return Subway

Index No.	Part No.	Description
1.	19-201007-000	Plug Joint
2.	11-042123-001	Slted. Rd. Hd. Wood Screw (#12 x 3/4")
3.	N.A.	Return Track - End and Intermediate (144")
4.	N.A.	Return Track - Approach End (82-1/2")
5.	N.A.	Return Track - Approach End (85")
6.	11-015367-001	Sems Hex Hd. Machine Screw (5/16-18 x 3/4")
7.	53-520177-000	Hold Down Clamp
8.	N.A.	Approach Dropsweep
9.	N.A.	Hex Hd. Lag Screw (5/16-18 x 1-1/2")
10.	19-204989-000	L.H. Guide Rail Assembly - Shown
11.	19-204988-000	R.H. Guide Rail Assembly - Shown
12.	N.A.	Self Tapping C.R. Rd. Hd. Screw (1/4 x 1")
13.	11-125102-001	Hex Nut (5/16-18)
14.	N.A.	Center Moulding
15.	N.A.	C.R. Flat Hd. Wood Screw (#14 x 1-1/4")
16.	N.A.	Plastic Track (2 Pieces 65-1/2")
17.	N.A.	Track Base (9-1/2 and 10-1/2)
18.	N.A.	L.H. Plug Block
19.	N.A.	R.H. Plug Block
20.	11-040157-001	C.R. Flat Hd. Wood Screw (#14 x 1-1/2")
21.	N.A.	9-1/2 Support Block
22.	N.A.	10-1/2 Support Block
23.	53-520195-000	Track Assembly (94-1/2")
24.	11-179020-001	Grip Nut (1/4-20)
25.	11-001178-001	Hex Hd. Cap Screw (1/4-20 x 1/2")
26.	N.A.	L.H. Side Panel (9-1/2 Return Only) - Shown
27.	N.A.	R.H. Side Panel (9-1/2 Return Only) - Opposite
28.	N.A.	Slted. Flat Hd. Wood Screw (#10 x 5/8")
29.	N.A.	Side Panel Plate
30.	N.A.	L.H. Side Panel
31.	N.A.	R.H. Side Panel
32.	19-088168-000	Track Assembly (99")
33.	19-088167-000	Track Assembly (144")
34.	19-203999-000	Plastic Return Track - Subway

N.A. = No Longer Available

Ball Return Track & Side Panels



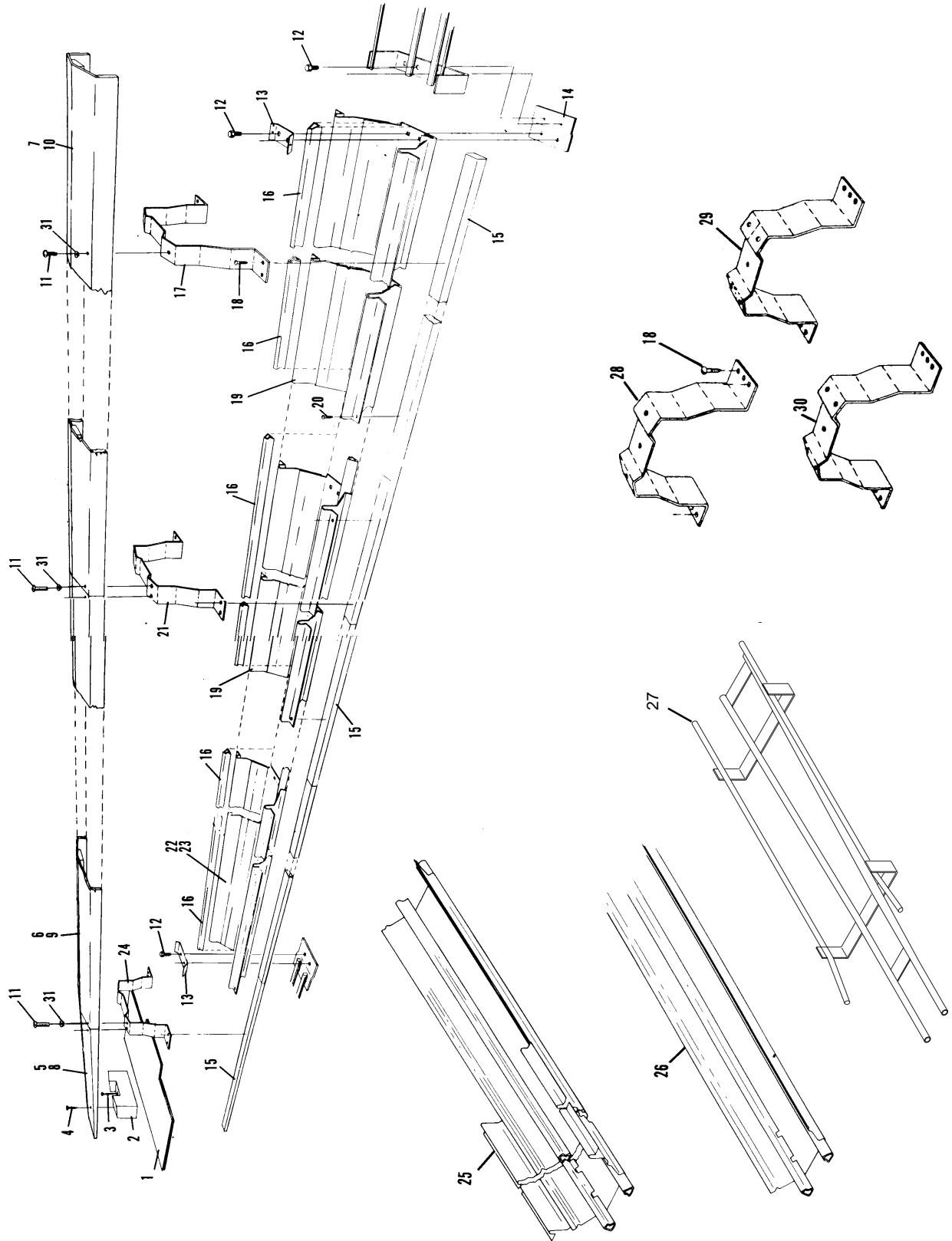
Ball Return Track & Side Panels

Index No.	Part No.	Description
1.	N.A.	Support
2.	19-202527-000	Support Block (3-3/16")
	N.A.	Support Block (2-7/16")
3.	N.A.	C.R. Flat Hd. Wood Screw (#14 x 2-1/2")
4.	N.A.	Self Tapping C.R. T. Hd. Screw (#14 x 1-1/4")
	N.A.	Self Tapping C.R. Flat Hd. Screw (1/4 x 1-1/4")
5.	N.A.	9-1/2 Approach Capping - Gray (26")
	N.A.	9-1/2 Approach Capping - Gray (31-3/4" No Taper)
6.	N.A.	9-1/2 Intermediate Capping - Gray (119")
7.	N.A.	9-1/2 Pit End Capping - Gray (26-3/4")
8.	N.A.	10-1/2 Approach Capping - Gray (26")
	N.A.	10-1/2 Approach Capping - Gray (31-3/4" No Taper)
9.	N.A.	10-1/2 Intermediate Capping - Gray (119")
10.	N.A.	10-1/2 Pit End Capping - Gray (26-3/4")
11.	11-024288-001	C.R. T. Hd. Machine Screw (1/4-20 x 5/8")
	N.A.	C.R. T. Hd. Machine Screw (1/4-20 x 1")
	N.A.	C.R. Flat Hd. Machine Screw (1/4-20 x 1")
12.	11-015367-001	Sems Hex Hd. Machine Screw (5/16-18 x 3/4")
13.	53-520177-000	Hold Down Clamp
14.	53-520292-000	Tie Bracket
15.	N.A.	Cleat
16.	53-520095-014	Vinyl Track (74")
17.	N.A.	Support Bracket (Used Between Joints)
18.	N.A.	Slt'd Rd. Hd. Wood Screw (#14 x 1-1/4")
	N.A.	Slt'd. Flat Hd. Wood Screw (#14 x 1-1/4")
19.	N.A.	Track Support w/Vinyl (145")
20.	11-082094-009	Self Tapping C.R. Rd. Hd. Screw (#10 x 3/4")
21.	N.A.	Support Bracket (Used at Joints)
22.	N.A.	Track Support w/Vinyl (107")
23.	N.A.	Track Support w/Vinyl (23-5/16")
24.	N.A.	Support Bracket (Tel-E-Foul End)
25.	N.A.	Track Support w/Vinyl (107")
26.	N.A.	Track Support w/Vinyl (94")
27.	*53-861063-000	Transition Track Assembly
28.	N.A.	Support Bracket (Used Between Joints)
29.	N.A.	Support Bracket (Tel-E-Foul End)
30.	N.A.	Support Bracket (Used at Joints)
31.	53-520314-000	Retaining Washer

N.A. = No Longer Available

* Replaces 53-520044-000 Transition Track Assembly

Surface To Subway Conversion & Concealed Surface Return Track

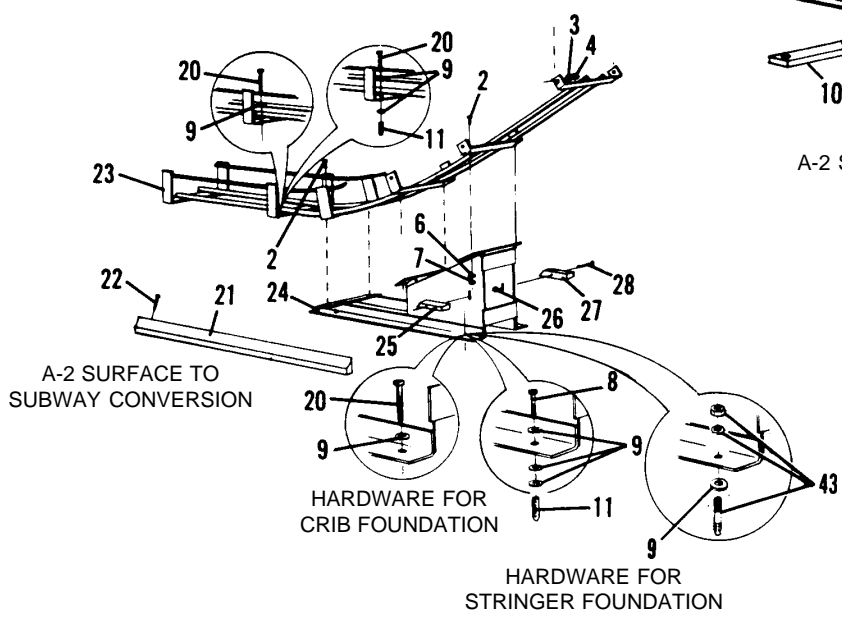
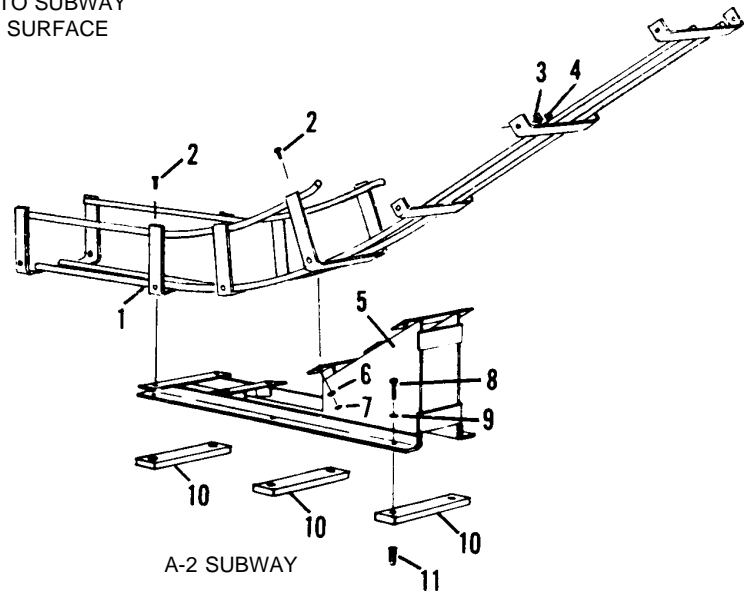
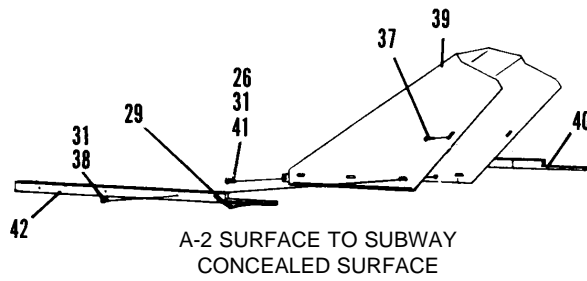
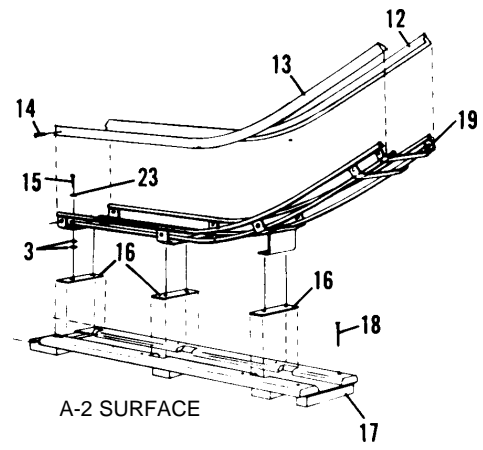
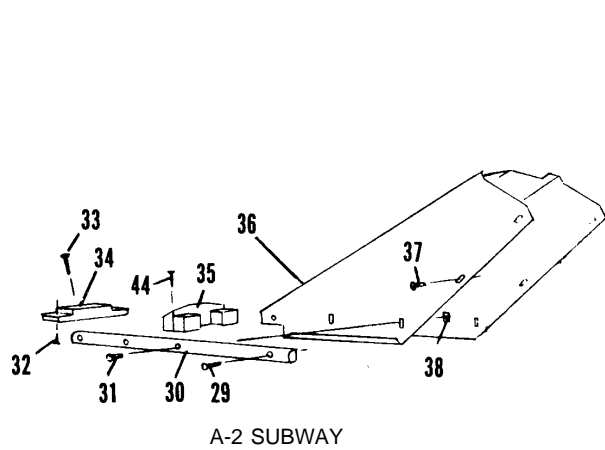


**Surface To Subway Conversion
& Concealed Surface Return Track**

Index No.	Part No.	Description
1.	19-204511-000	Dropsweep - A-2 Subway
2.	11-001264-001	Hex Hd. Cap Screw (5/16-18 x 1")
3.	11-190010-001	Plain Washer (1/4)
4.	11-176000-001	Keps Nut (1/4-20)
5.	19-204190-000	Dropsweep Support
6.	11-190012-001	Plain Washer (5/16)
7.	11-176001-001	Keps Nut (5/16-18)
8.	N.A.	Hex Hd. Lag Screw (3/8 x 3")
9.	11-190016-001	Plain Washer (7/16)
10.	19-204226-000	Maple Shim
11.	N.A.	Concrete Fastener (3/8-16)
12.	N.A.	L.H. Guide Rail Cover
13.	N.A.	R.H. Guide Rail Cover
14.	N.A.	Self Tapping C.R. T. Hd. Screw (#10 x 1/2")
15.	N.A.	Self Tapping C.R. Rd. Hd. Screw (#14 x 1-1/2")
16.	N.A.	Shim
17.	N.A.	Dropsweep Support (9-1/2 and 10-1/2)
18.	11-040228-001	C.R. Flat Hd. Wood Screw (#20 x 4-1/2")
19.	N.A.	Dropsweep - A-2 Surface
20.	N.A.	Hex Hd. Lag Screw (3/8 x 2-1/2")
21.	N.A.	Gutter Support Cleat
22.	11-040663-001	Slted. Flat Hd. Wood Screw (#14 x 3")
23.	N.A.	Dropsweep - A-2 Surface to Subway Conversion
24.	N.A.	Dropsweep Support
25.	N.A.	R.H. Filler Block
26.	11-179022-000	Grip Nut (1/4-20)
27.	N.A.	L.H. Filler Block
28.	11-028146-001	Slted. Flat Hd. Machine Screw (1/4-20 x 2")
29.	11-084610-001	Self Tapping C.R. Flat Hd. Screw (#14 x 1-3/4")
30.	N.A.	Cover Strip - Gray
	53-520402-010	Cover Strip - Brown
31.	15-612306-000	C.R. Flat Hd. Machine Screw w/Nylok (1/4-20 x 1")
32.	N.A.	Slted. Flat Hd. Wood Screw (#10 x 1-1/4")
33.	11-043164-002	C.R. Oval Hd. Wood Screw (#16 x 3")
34.	19-204225-000	Cover Support
35.	19-204533-000	Cover Support
36.	N.A.	Dropsweep Cover - Gray
	N.A.	Dropsweep Cover - "2000" Brown
37.	11-024288-001	C.R. T. Hd. Machine Screw (1/4-20 x 5/8")
38.	11-179020-001	Grip Nut (1/4-20)
39.	N.A.	Dropsweep Cover - Gray
	N.A.	Dropsweep Cover - "2000" Brown
40.	N.A.	L.H. Cover Strip - Gray
	53-520270-013	L.H. Cover Strip - "2000" Brown
41.	N.A.	C.R. Flat Hd. Machine Screw w/Nylok (1/4-20 x 1-1/2")
42.	N.A.	R.H. Cover Strip - Gray
	53-520270-012	R.H. Cover Strip - "2000" Brown
43.	11-111455-000	Hilti Concrete Fastener
44.	N.A.	Slted. Flat Hd. Wood Screw (#14 x 2-1/2")

N.A. = No Longer Available

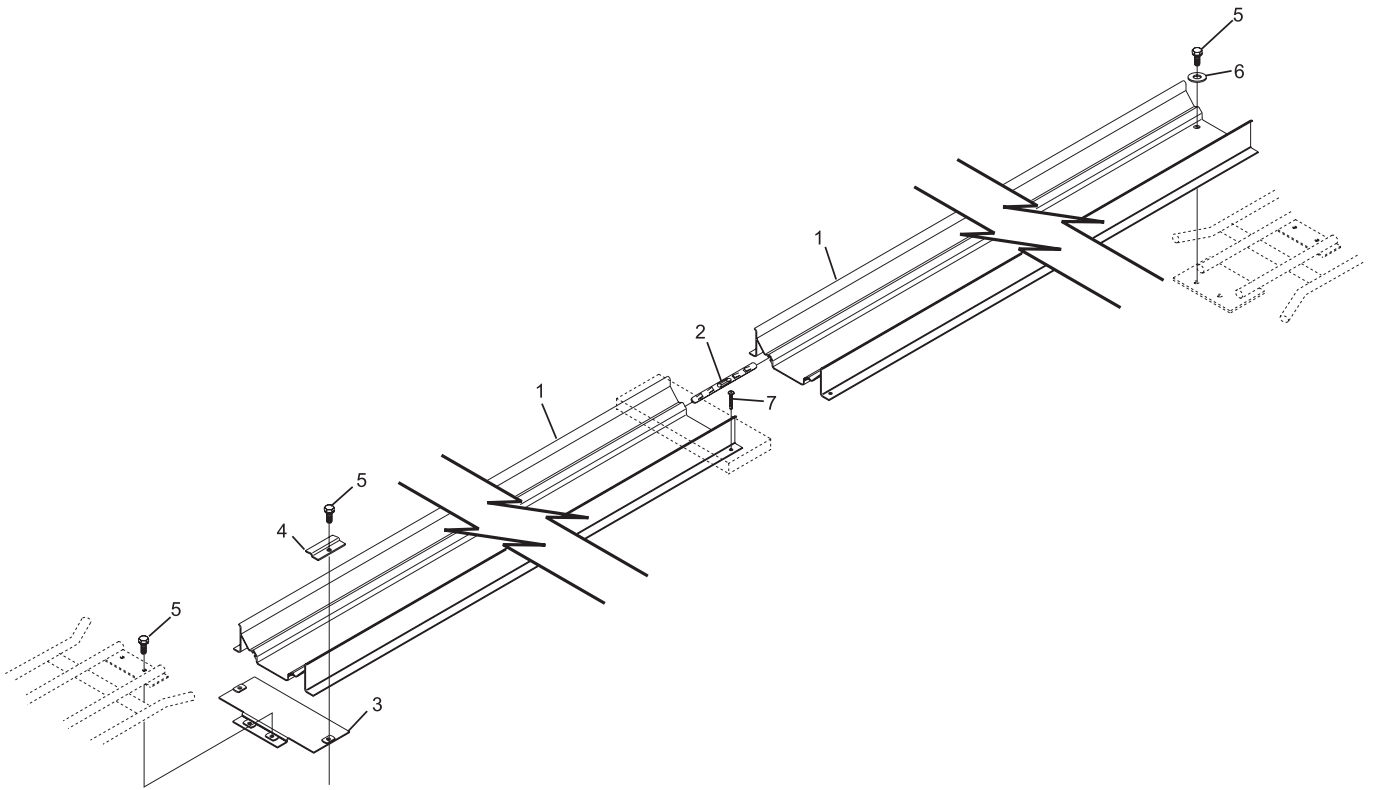
Pit End Dropsweeps & Covers



Pit End Dropsweeps & Covers

Index No.	Part No.	Description
1.	84-300250-001	Track Section (160")
	53-860807-000	Track Section (160") - Pkg. of 5
	53-861015-000	Track Section (160") - All Plates
2.	84-300251-000	Track Splice
3.	84-300252-000	Track Mounting Plate (accelerator)
4.	84-300253-000	Track Hold Down Plate (accelerator)
5.	11-015367-001	Hex Head Screw (5/16-18 x 3/4")
6.	11-191012-001	Flat washer
7.	11-086487-000	Self Drilling Screw (#8 x 1-1/4")

Return Track



Return Track