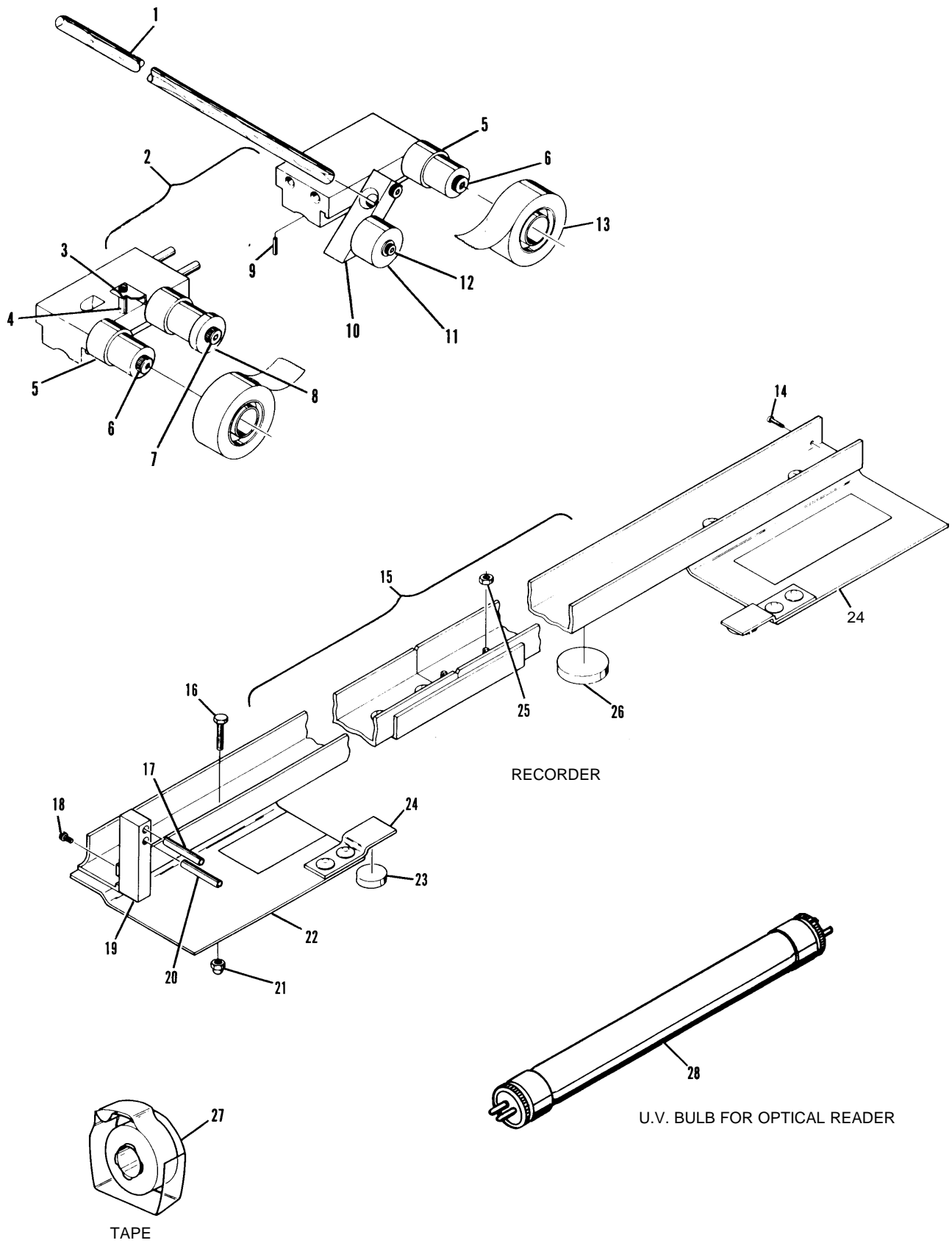


**Section Q**

**MISCELLANEOUS**

<b>Index No.</b>	<b>Part No.</b>	<b>Description</b>
1.	N.A.	Wooden Dowel (Purchase Locally)
2.	61-100053-006	Carriages
3.	61-100055-006	Cutter Bar
4.	11-386110-000	Cutter Bar Support
5.	61-100052-003	Tape Hub
6.	11-106533-000	Shoulder Bolt (2")
7.	11-106533-000	Shoulder Bolt (2")
8.	61-100055-002	Tape Guide
9.	11-345154-000	Roll Pin (2 Required)
10.	N.A.	Pivot Arm
11.	61-100055-004	Rubber Wheel & Hub Assembly
12.	11-106504-001	Shoulder Bolt (1")
13.	11-900070-000	Transparent Tape
14.	11-023576-001	Self Tapping Screw
15.	61-100055-020	Track Assembly
16.	11-001178-001	Screw (1/4-20)
17.	11-345418-001	Roll Pin (1-3/4" Long)
18.	11-005063-000	Screw (#8-32)
19.	N.A.	Anchor Post Assembly
20.	11-345420-001	Roll Pin (2" Long)
21.	11-125411-001	Acorn Nut
22.	61-100055-013	End Plate (left-hand)
23.	61-100055-016	Foot Pad - Small
24.	61-100055-017	End Plate (right-hand)
25.	11-125100-001	Hex Nut (1/4-20)
26.	61-100055-001	Foot Pad - Large
27.	61-100057-000	Label Tape
28.	61-100060-000	Optical Reader UV Source Tube

N.A. = No Longer Available



# Lane Monitor

Index No.	Part No.	Description	Index No.	Part No.	Description
	LOCKER DOOR			N.A.	End Panel Assy. - Astroline White
1.	N.A.	Gray Spatter - Astroline		N.A.	End Panel Assy. - "2000" White
	N.A.	Gray Smooth - Astroline			
	N.A.	Off White - Astro 2	19.	54-100204-010	Rail Assembly - Astro 2 or "2000" Brown
2.	54-100165-022	White Spatter - "2000"			
3.	54-100163-000	Rubber Bumper	20.	N.A.	Nameplate - Astroline
	11-012057-001	Sems C.R. Pan Hd. Machine Screw (#8-32 x 5/16")		N.A.	Nameplate - Astro 2
4.	54-100413-000	Lock Plate (Key Locks Only)	21.	54-100415-000	Nameplate - "2000"
			22.	N.A.	Ferrule
*5.	54-100164-001	Locker Number (Black on White) - Last 3 Digits	23.	10-193017-000	Special Washer
	thru			54-100209-000	C.R. Flat Hd. Machine Screw (5/16-18 x 3/4")
	54-100164-050	Denote Number Desired	24.	N.A.	Upper Hinge Leaf
**6.	54-100144-000	Lock w/2 Keys (Y-59)	25.	N.A.	One Way Rd. Hd. Machine Screw (1/4-20 x 5/8")
	54-100144-002	Individual Key (Y-59)			
	54-100145-000	Master Key (Y-59)	26.	11-176000-001	Keps Nut (1/4-20)
	54-100173-000	Lock w/2 Keys (LCA)	27.	11-190010-001	Plain Washer (1/4)
	54-100173-003	Individual Key (LCA)	28.	54-100467-000	Lock Plate (Combination Locks Only)
	54-100173-004	Master Key (LCA)			
7.	N.A.	Slt'd. T. Hd. Machine Screw (#10-24 x 1-1/4")	29.	54-100472-000	Combination Lock
				54-100472-004	Master Key
8.	N.A.	Locker Base - Astroline Gray	30.	54-100470-000	Lock Retainer Bracket
	54-860198-020	Locker Base - Astro 2 or "2000" Brown	31.	11-012058-000	Sems C.R. Pan Hd. Machine Screw (#8-32 x 3/8")
9.	54-100158-000	Hinge	32.	54-100468-000	Lock Plate Bumper
10.	11-012578-002	C.R. Rd. Hd. Machine Screw (#10-24 x 1/2")	33.	54-100473-001	Locker Number (White on Black) - Last 3 Digits
				thru	
				54-100473-027	Denote Number Desired
11.	54-100154-000	Tie Rod	34.	N.A.	Pop Rivet
12.	11-125004-001	Hex Nut (#10-24)	35.	N.A.	Lock Retainer
13.	11-199003-001	Internal Tooth Lockwasher (#10)	36.	N.A.	Lock Assembly
14.	11-013076-001	Slt'd. Pan Hd. Machine Screw (#10-24 x 3/8")	37.	11-640079-000	Master Key (Screw Type)
			38.	N.A.	Master Key Holder
15.	N.A.	Number Plate (Specify Number)	39.	N.A.	Lower Hinge Leaf
			40.	N.A.	Spacer Angle
16.	N.A.	Escutcheon Pin (#16 x 1/2")	41.	N.A.	Slt'd. Pan Hd. Machine Screw (#10-24 x 7/8")
17.	54-100210-000	Metal Glide	42.	11-190006-001	Plain Washer (#10)
18.	N.A.	End Panel Assy. - Gray	43.	10-386241-000	Spacer

N.A. = No Longer Available

\* Locker Numbers -002, -021, -022, -023, -024, -026, -030, -038, -039, -040 and -041 thru -050 are not available.

\*\* To order replacement Individual Keys (54-100144-002 or 54-100173-003) place your order with:

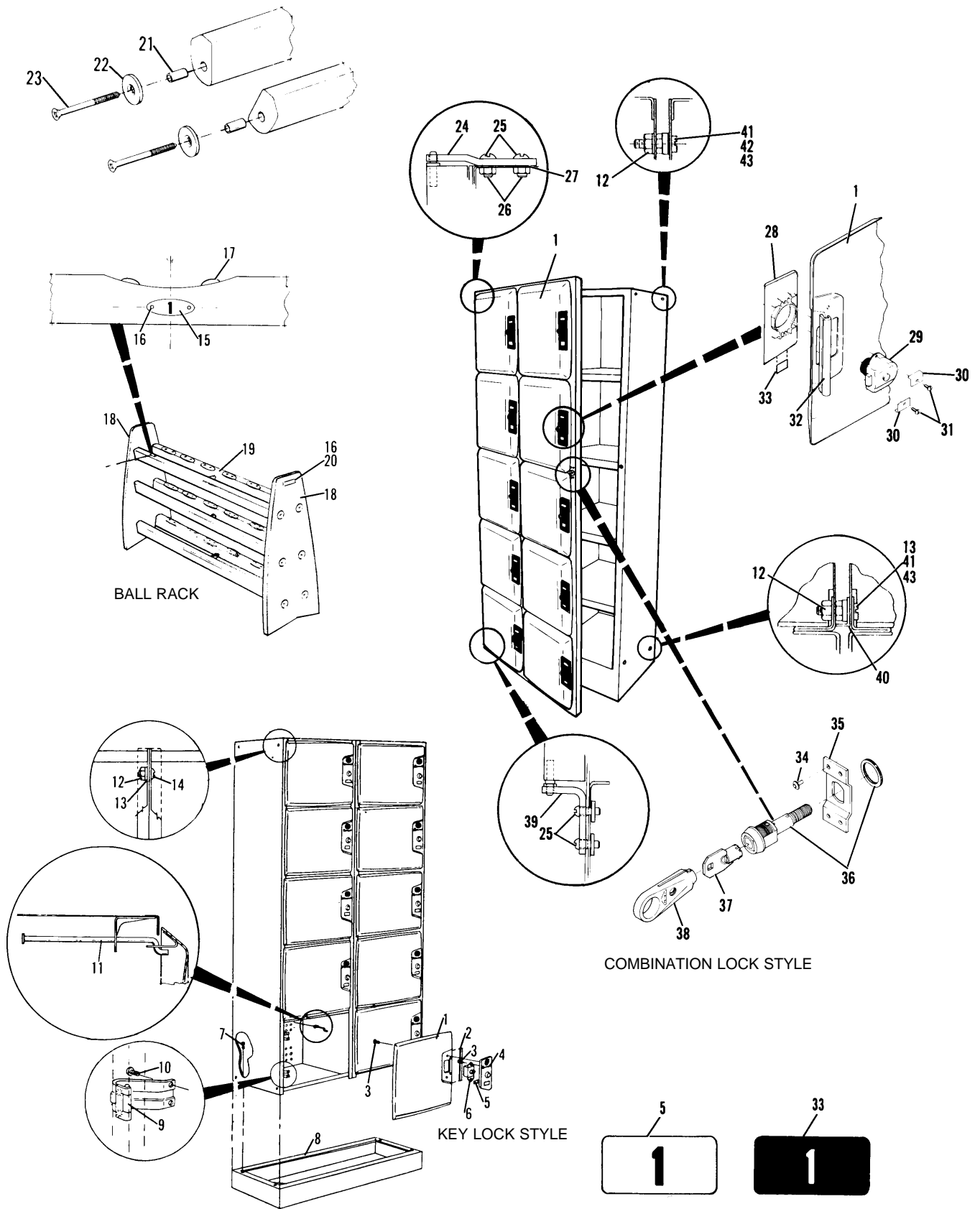
Brunswick Corporation  
Attn: Order Department  
525 W. Laketon Avenue  
Muskegon, MI 49443

You must specify the Lock Series (Y-59 or LCA) noting key number and locker number needed. Allow four to six weeks for delivery. Individual cut keys are made per order and NO cut keys may be returned for credit.

Orders for Master Keys (54-100145-000, 54-100173-004, or 54-100472-004) must be signed by the proprietor or manager. All requests without proper authorization will be returned. Send your requests to the above address.

Our 4600 and 5500 Series Lockers were furnished with Eagle Locks. For replacement, order our present locks (54-100144-000 or 54-100173-000).

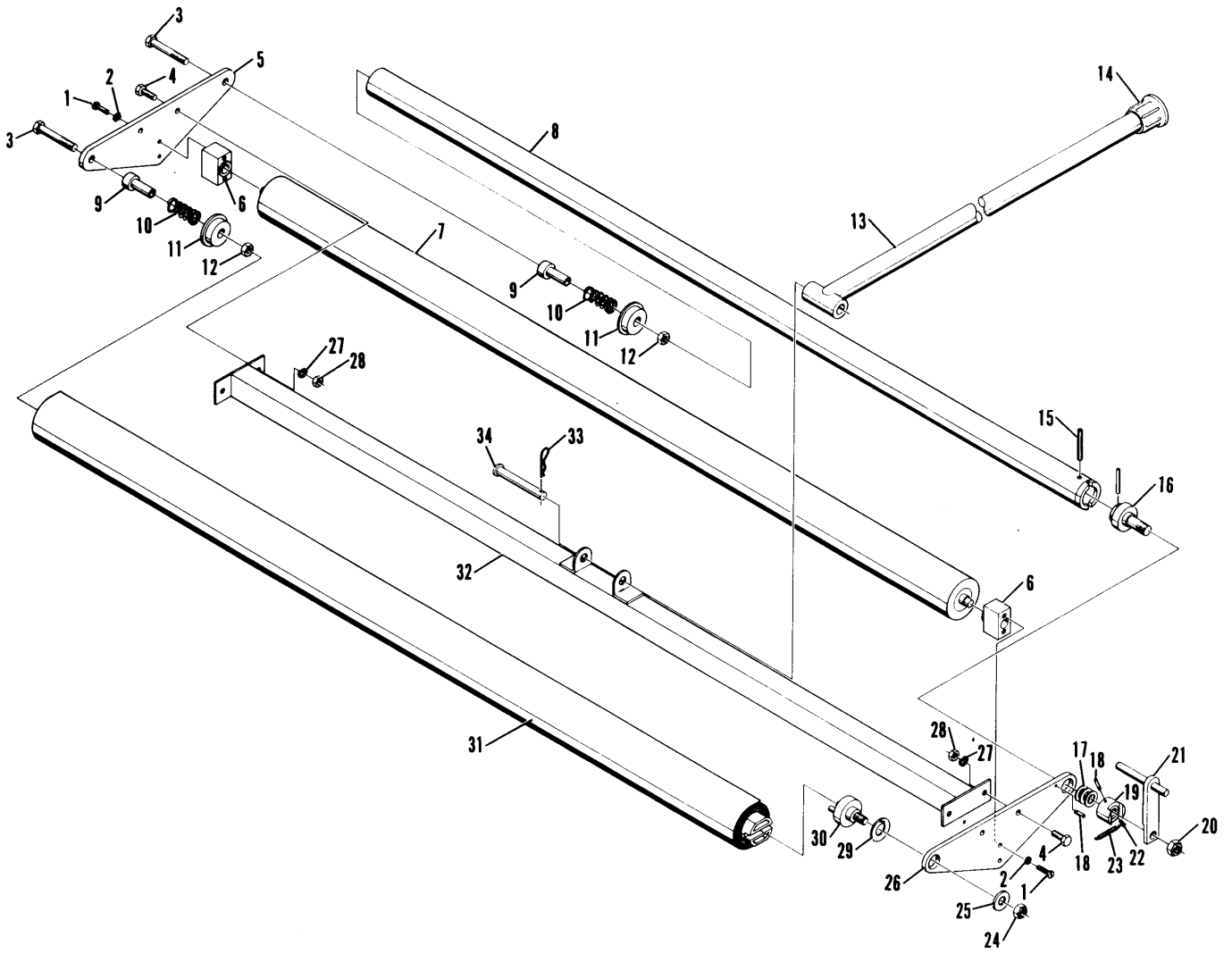
## Bowling Ball Locker (B2000) & Freestanding Ball Rack



**Bowling Ball Locker (B2000)  
& Freestanding Ball Rack**

<b>Index No.</b>	<b>Part No.</b>	<b>Description</b>
1.	11-013098-001	Slted. Pan Hd. Machine Screw (#10-32 x 5/8")
2.	11-198003-001	External Tooth Lockwasher (#10)
3.	11-001193-001	Hex Hd. Screw (1/4-20 x 2-1/4")
4.	11-001182-001	Hex Hd. Machine Screw (1/4-20 x 3/4")
5.	N.A.	Right Side Plate
6.	61-100061-002	Duster Base Mounting Assembly
7.	61-100061-003	Tapered Duster Roller
8.	61-100061-004	Duster Cloth Drive Tube Assembly
9.	61-100061-005	Idler Support
10.	61-100061-006	Idler Spring
11.	61-100061-007	Cloth Idler Support
12.	11-170007-001	Locknut (1/4)
13.	61-100061-008	Handle Assembly
14.	61-100061-009	Crutch Tip (1" Black)
15.	61-100061-010	Roll Pin (1/8 x 1-3/8)
16.	61-100061-011	Drive Shaft
17.	61-100061-012	Bushing (.505 x .875 Dia.)
18.	61-100061-013	Stop Pin
19.	61-100061-014	Drive Clutch Assembly
20.	11-170014-001	Locknut (7/16)
21.	61-100061-015	Drive Clutch Pedal
22.	11-013020-001	Slted. Pan Hd. Machine Screw (#6-32 x 1/4")
23.	61-100061-016	Spring
24.	11-170011-001	Locknut (3/8-16)
25.	61-100061-017	Type A Washer (3/8)
26.	61-100061-018	Left Side Plate
27.	11-195014-001	Lockwasher (1/4)
28.	11-125007-001	Hex Nut (1/4)
29.	61-100061-019	Leather Clutch
30.	61-100061-020	Drag Clutch Shaft
31.	61-860168-000	Duster Refills (Pkg. of 3)
32.	61-100061-021	Frame Assembly
33.	61-100061-022	Ext. Prong Cotter Pin (1/8 x 3/4)
34.	61-100061-023	Clevis Pin (3/8 x 2-5/8)

## Lane Duster

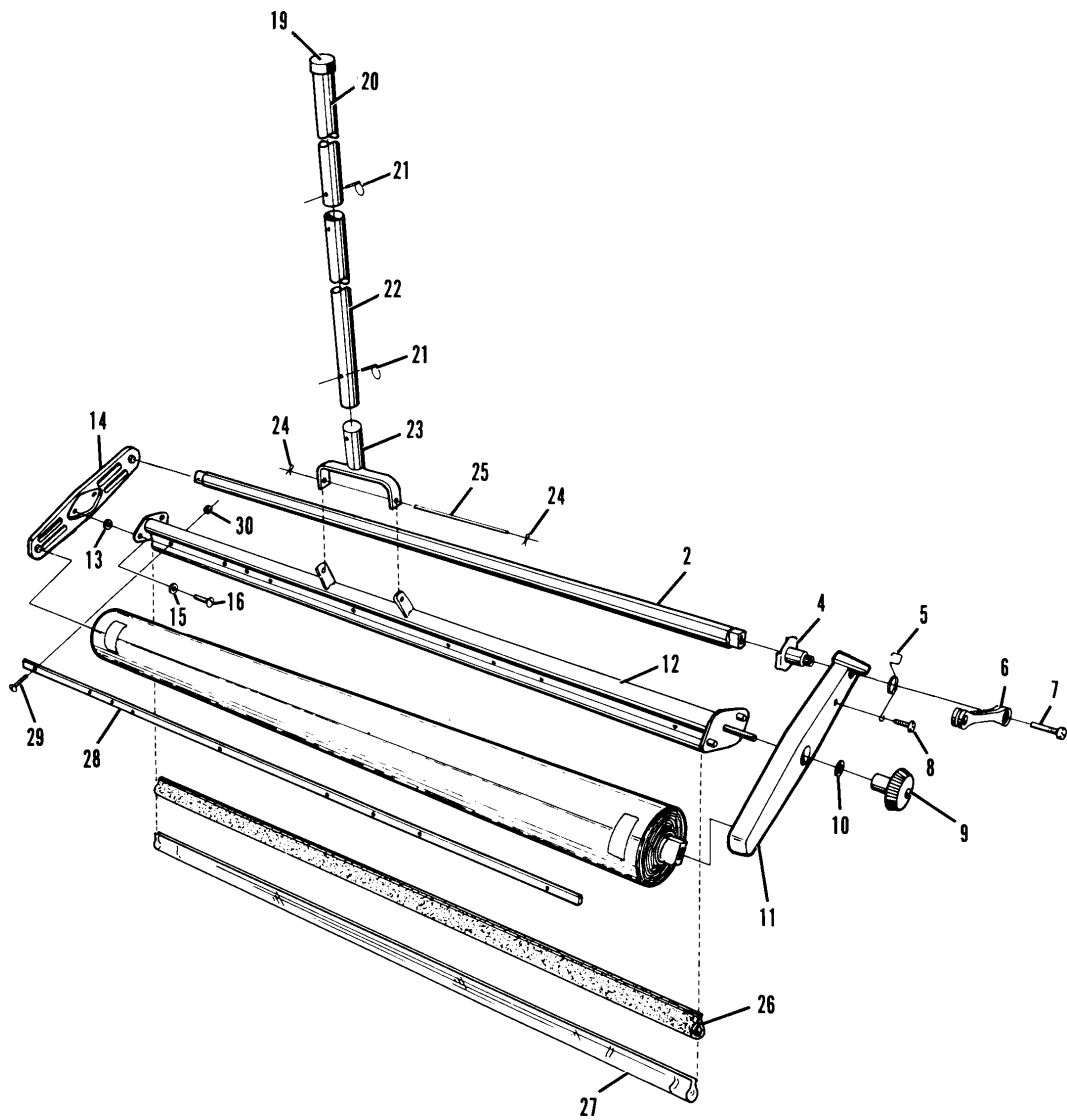
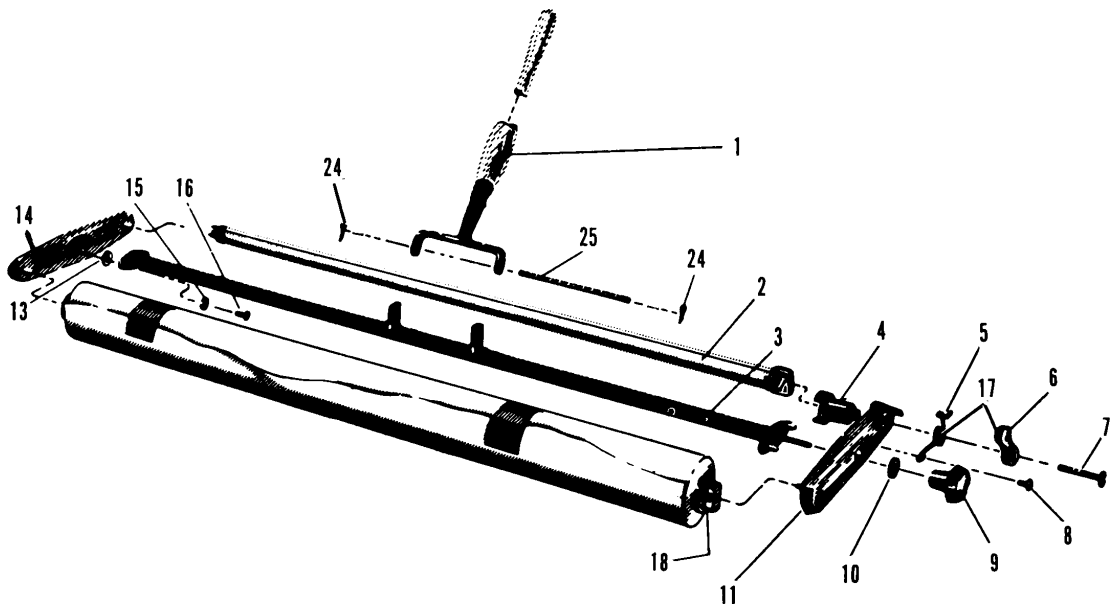


Lane Duster

<b>Index No.</b>	<b>Part No.</b>	<b>Description</b>
1.	N.A.	Wood Handle Assembly - Complete (order 61-860158-001)
2.	31-086087-000	Drive Tube Assembly
3.	N.A.	Spacer Pipe
4.	N.A.	Drive Plate and Shaft Assembly
5.	31-086077-000	Torsion Spring
6.	15-650213-000	Ratchet Wrench (7/16)
7.	31-086076-000	Locking Screw
8.	15-600863-000	Self Tapping Sltd. B. Hd. Screw (#10 x 3/8")
9.	31-086093-000	Hand Knob
10.	11-190014-001	Plain Washer (3/8)
11.	31-086299-000	L.H. End Casting Assembly
12.	N.A.	Spreader Pipe Assembly
13.	11-191010-001	Plain Washer (1/4)
14.	31-086068-000	R.H. End Casting Assembly
15.	11-195014-001	Lockwasher (1/4)
16.	11-024288-001	C.R. T. Hd. Machine Screw (1/4-20 x 5/8")
17.	N.A.	Ratchet Wrench w/Spring
18.	52-100198-000	Core and Plug Assembly
19.	11-607011-000	Sleeve Cap
20.	N.A.	Upper Handle
21.	14-300040-000	Quick Release Pin
22.	N.A.	Lower Handle
23.	14-300055-000	Yoke
24.	11-335053-001	Cotter Key
25.	N.A.	Shaft
26.	52-100395-000	Spreader Cushion
27.	52-100401-000	Polyethelene Cover
28.	N.A.	Retainer Bar
29.	N.A.	C.R. Pan Hd. Machine Screw (#8-32 x 1")
30.	11-125003-001	Hex Nut (#8-32)

N.A. = No Longer Available



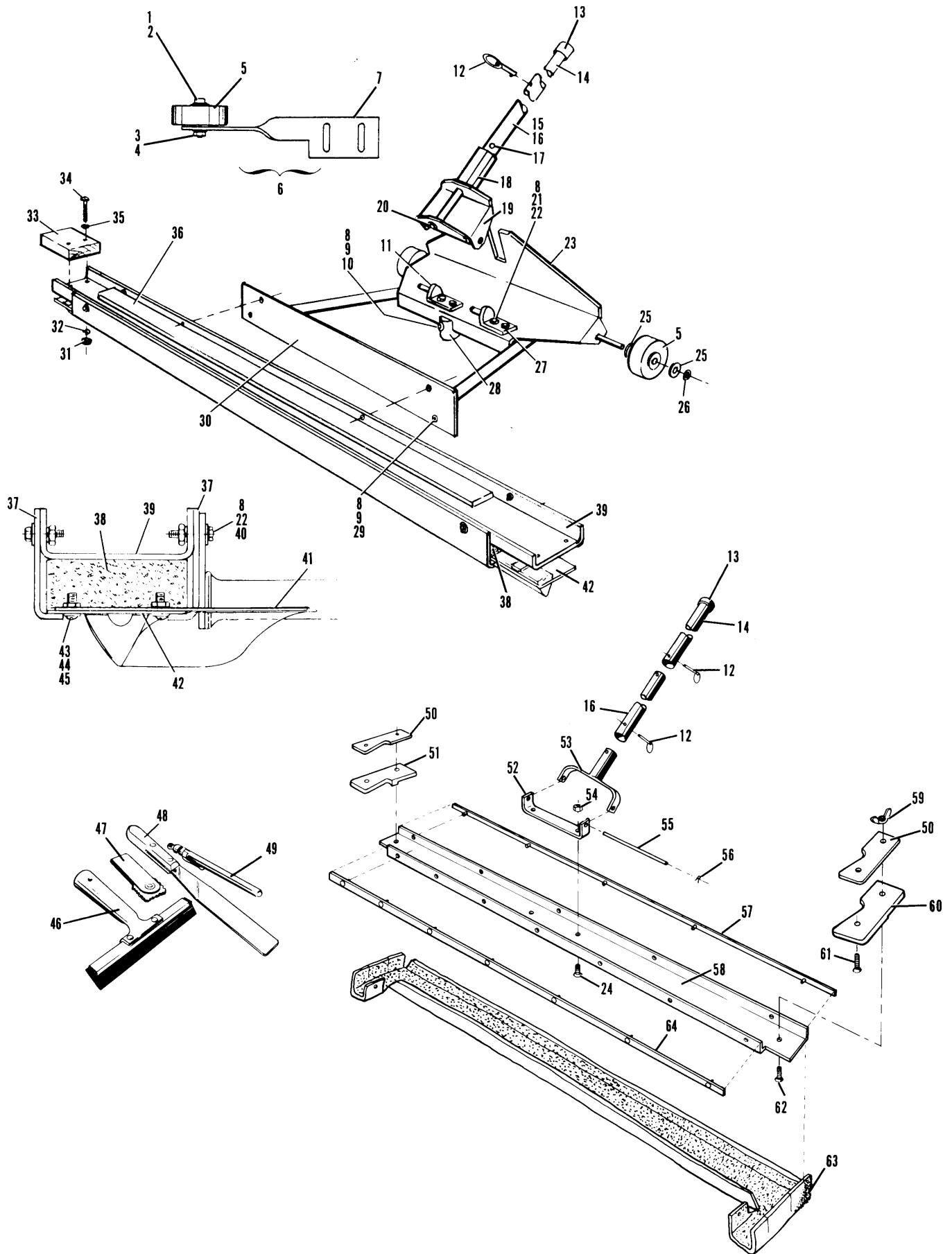


**Lane Duster**

<b>Index No.</b>	<b>Part No.</b>	<b>Description</b>	<b>Index No.</b>	<b>Part No.</b>	<b>Description</b>
1.	N.A.	Hex Socket Hd. Stripper Bolt (1/4-20 x 1")	33.	N.A.	Wood Bumper
2.	11-190508-001	Plain Washer	34.	N.A.	Slt'd. Rd. Hd. Machine Screw (#8-32 x 1-1/4")
3.	11-190523-001	Plain Washer	35.	11-190004-001	Plain Washer (#8)
4.	11-176000-001	Keps Nut (1/4-20)	36.	N.A.	Weight Bar (5#)
5.	90-200114-000	Urethane Roller Assembly		N.A.	Weight Bar (8#)
6.	N.A.	Guide Roller Assembly		14-300046-004	Weight Bar (10#)
7.	N.A.	Bracket	37.	14-300022-000	Front Support
8.	11-125007-001	Hex Nut (1/4-20)	38.	14-300024-000	Foam Pad
	11-190010-001	Plain Washer (1/4)	39.	14-300021-000	Channel
10.	11-012391-001	C.R. Pan Hd. Machine Screw (1/4-20 x 1-3/4")	40.	11-001180-001	Hex Hd. Cap Screw (1/4-20 x 5/8")
11.	14-300029-003	Angle Bracket and Pin Assembly	41.	14-300011-002	R.H. Plastic Wing
				14-300011-003	L.H. Plastic Wing
12.	14-300040-000	Quick Release Pin	42.	14-300025-000	Applicator Board
13.	11-607011-000	Sleeve Cap	43.	N.A.	Slt'd. Rd. Hd. Machine Screw (#6-32 x 1/2")
14.	N.A.	Upper Handle Assembly	44.	11-190002-001	Plain Washer (#6)
	N.A.	Upper Handle Only	45.	11-125001-001	Hex Nut (#6-32)
15.	N.A.	Lower Handle Assembly	46.	N.A.	Squeegee
16.	N.A.	Lower Handle Only	47.	N.A.	Wet Film Thickness Gauge
17.	11-345314-001	Roll Pin	48.	N.A.	Spatula
18.	N.A.	Handle Plug	49.	N.A.	Thermometer
19.	N.A.	Yoke	50.	N.A.	End Clamp
20.	11-530021-001	Retaining Ring	51.	N.A.	L.H. End Bracket
21.	11-001178-001	Hex Hd. Cap Screw (1/4-20 x 1/2")	52.	N.A.	Lower Yoke
22.	11-195014-001	Lockwasher (1/4)	53.	14-300055-000	Handle Yoke
23.	N.A.	Frame and Arm Assy.	54.	11-176006-001	Keps Nut (#10-24)
24.	N.A.	C.R. Flat Hd. Machine Screw (#10-24 x 5/8")	55.	N.A.	Shaft
25.	11-190012-001	Plain Washer (5/16)	56.	11-335053-001	Cotter Key
26.	11-534512-000	Grip Ring	57.	N.A.	Rear Clamp Strip
27.	14-300029-002	Angle Bracket and Pin Assembly	58.	N.A.	Frame Channel
			59.	N.A.	Wing Nut (#10-24)
28.	14-300030-000	Glide	60.	N.A.	R.H. End Bracket
29.	11-014146-001	C.R. Flat Hd. Machine Screw (1/4-20 x 5/8")	61.	11-014082-001	C.R. Flat Hd. Machine Screw (#10-24 x 3/8")
			62.	11-014091-004	C.R. Flat Hd. Machine Screw (#10-24 X 1-1/8")
30.	N.A.	Mounting Plate	63.	N.A.	Applicator Pad
31.	11-125003-001	Hex Nut (#8-32)	64.	N.A.	Front Clamp Strip
32.	11-195008-001	Lockwasher (#8)			

N.A. = No Longer Available

## Finish Applicator

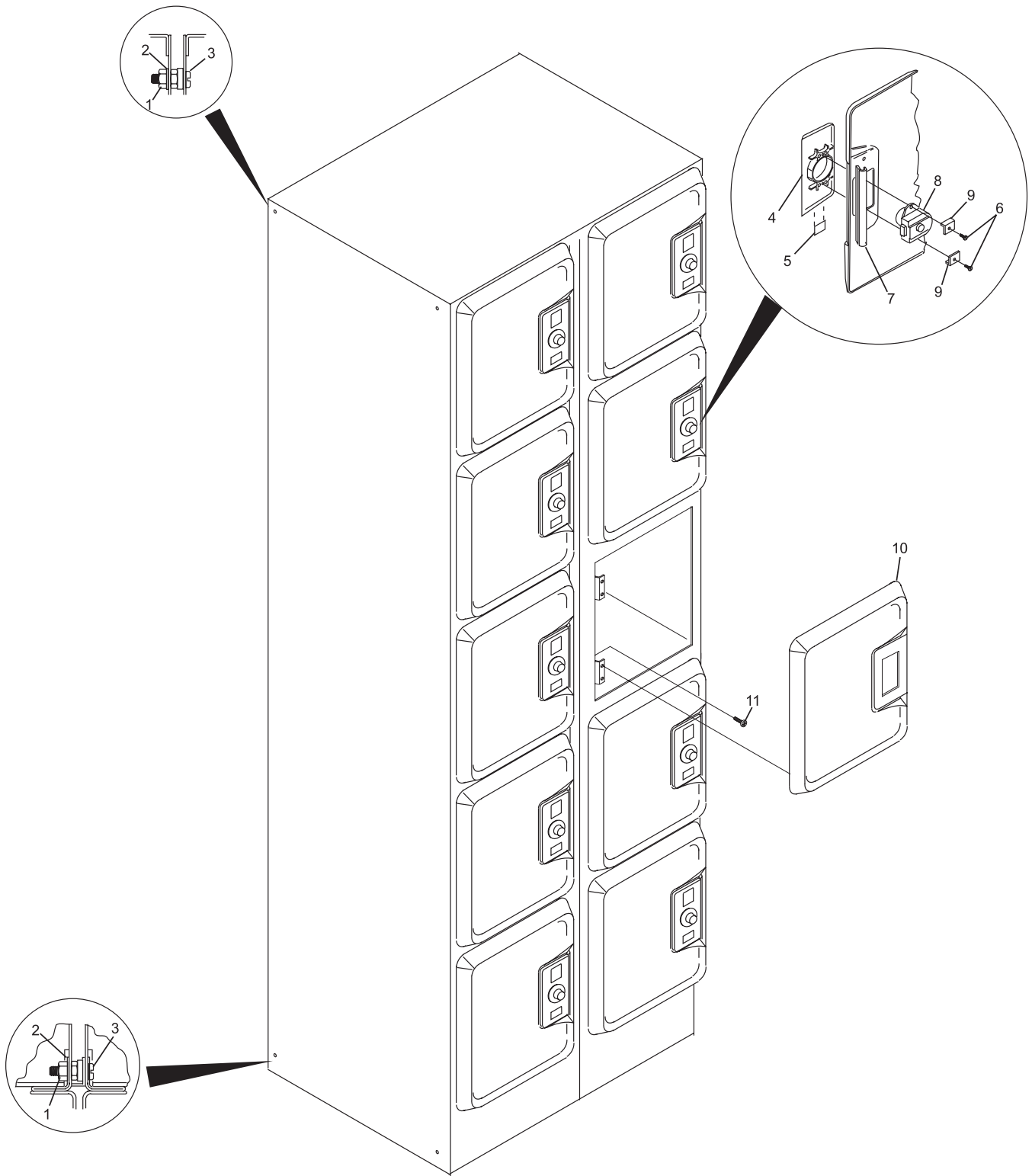


**Finish Applicator**

<b>Index No.</b>	<b>Part No.</b>	<b>Description</b>
1.	11-125004-002	Hex Nut (#10-24)
2.	11-199003-002	Lockwasher (#10)
3.	11-013076-002	Pan Hd. Screw (#10-24 x 3/8")
4.	53-400235-000	Lock Plate (grey)
	54-100467-000	Lock Plate (chrome)
5.	*53-400236-001	Locker Numbers (#1-30)
	to	
	*53-400236-050	Locker Numbers (#1471-1500)
6.	11-012058-000	Pan Hd. Screw (#8-32 x 3/8)
7.	54-100468-000	Lock Plate Bumper
8.	54-100472-000	Combination Lock
	54-860477-000	Combination Lock Key (Pkg. of 10)
	54-100427-004	Master Key
9.	54-100470-000	Lock Retainer Brackets
10.	53-400234-000	Locker Door (without Lock)
11.	11-021578-002	Pan Head C.R. Screw (#10-24 x 1/2")

\* Last three digits denote number desired. Thirty numbers to a package.  
All locker numbers are Frameworx Grey.

## **Frameworx Lockers**



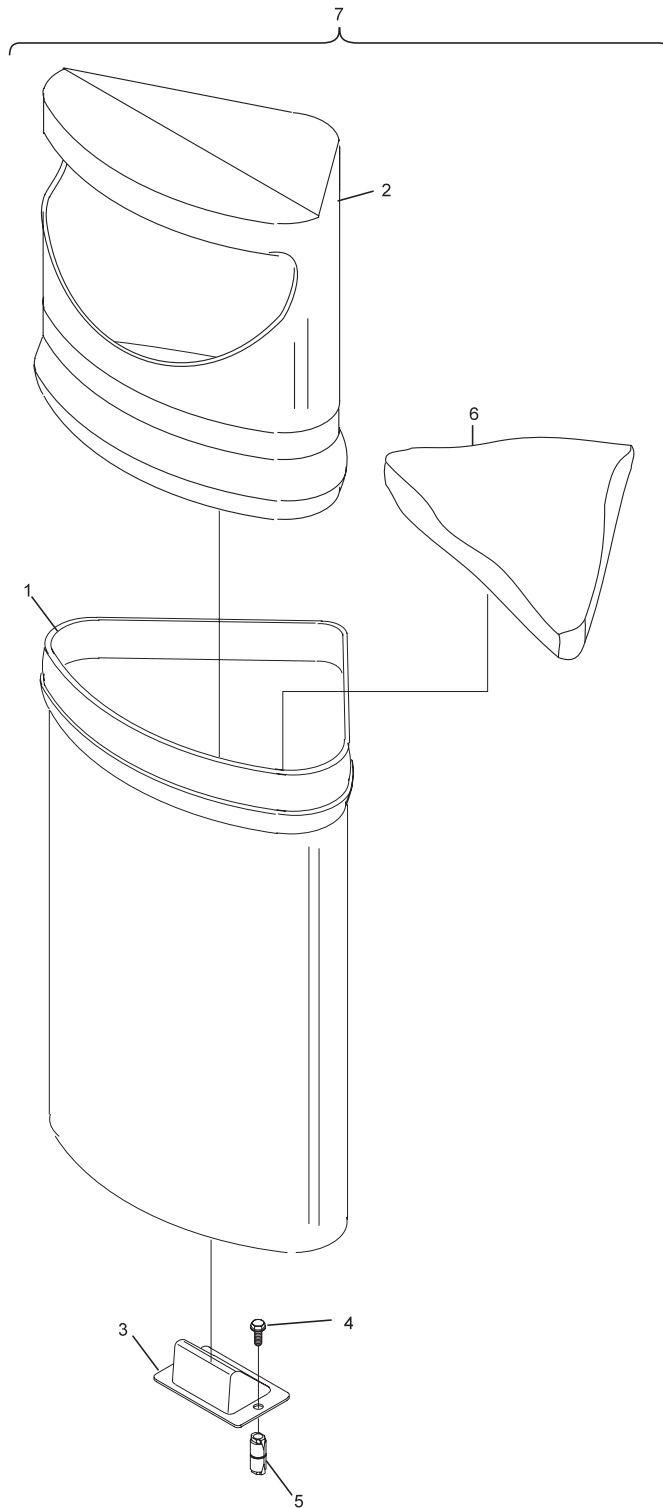
5  
**1**

**Framework Lockers**

**Index**

<b>No.</b>	<b>Part No.</b>	<b>Description</b>
1.	53-400337-000	Trash Receptacle Bottom
2.	53-400338-000	Trash Receptacle Cover
3.	53-860947-001	Trash Receptacle Base Plate Assy.
4.	11-001348-001	Cap Screw (3/8-16 x 1-1/2")
5.	53-400307-000	Concrete Anchor (3/8-16)
6.	53-400343-000	Triangular Sand Bag - 15 lbs.
7.	53-860947-000	Trash Receptacle - Complete

**Frameworkx Trash Receptacle Assembly**

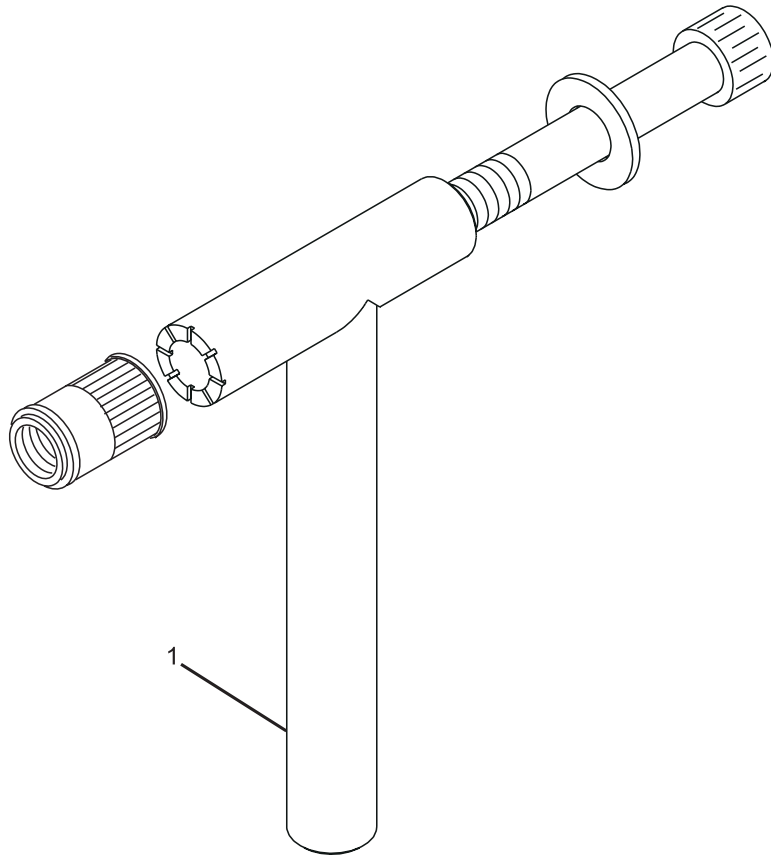


**Frameworkx Trash Receptacle Assembly**

<b>Index No.</b>	<b>Part No.</b>	<b>Description</b>
1.	53-861038-000	AVK Insert Fastener Tool w/Ribbed Nut Insert - Frameworkx Furniture

## **AVK Insert Fastener Tool**

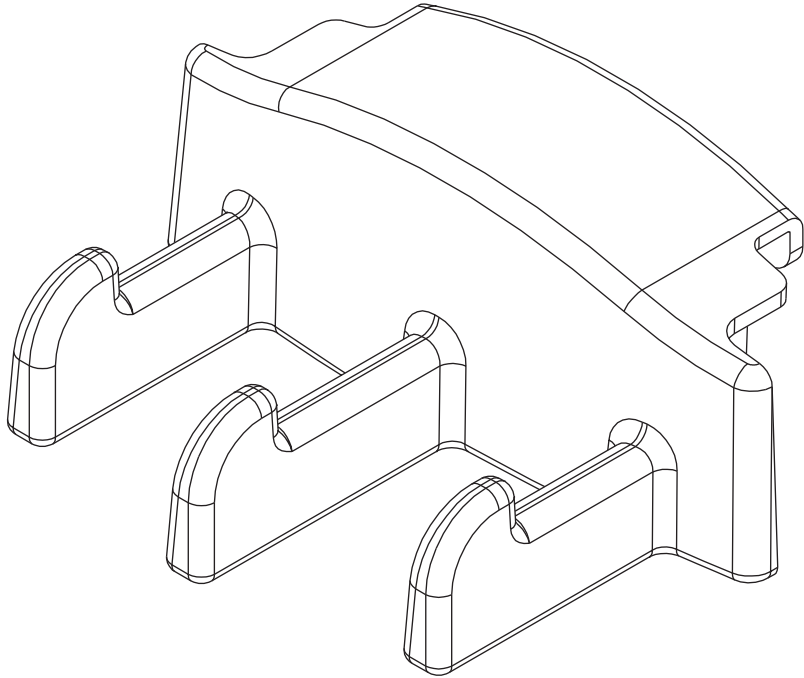




**AVK Insert Fastener Tool**

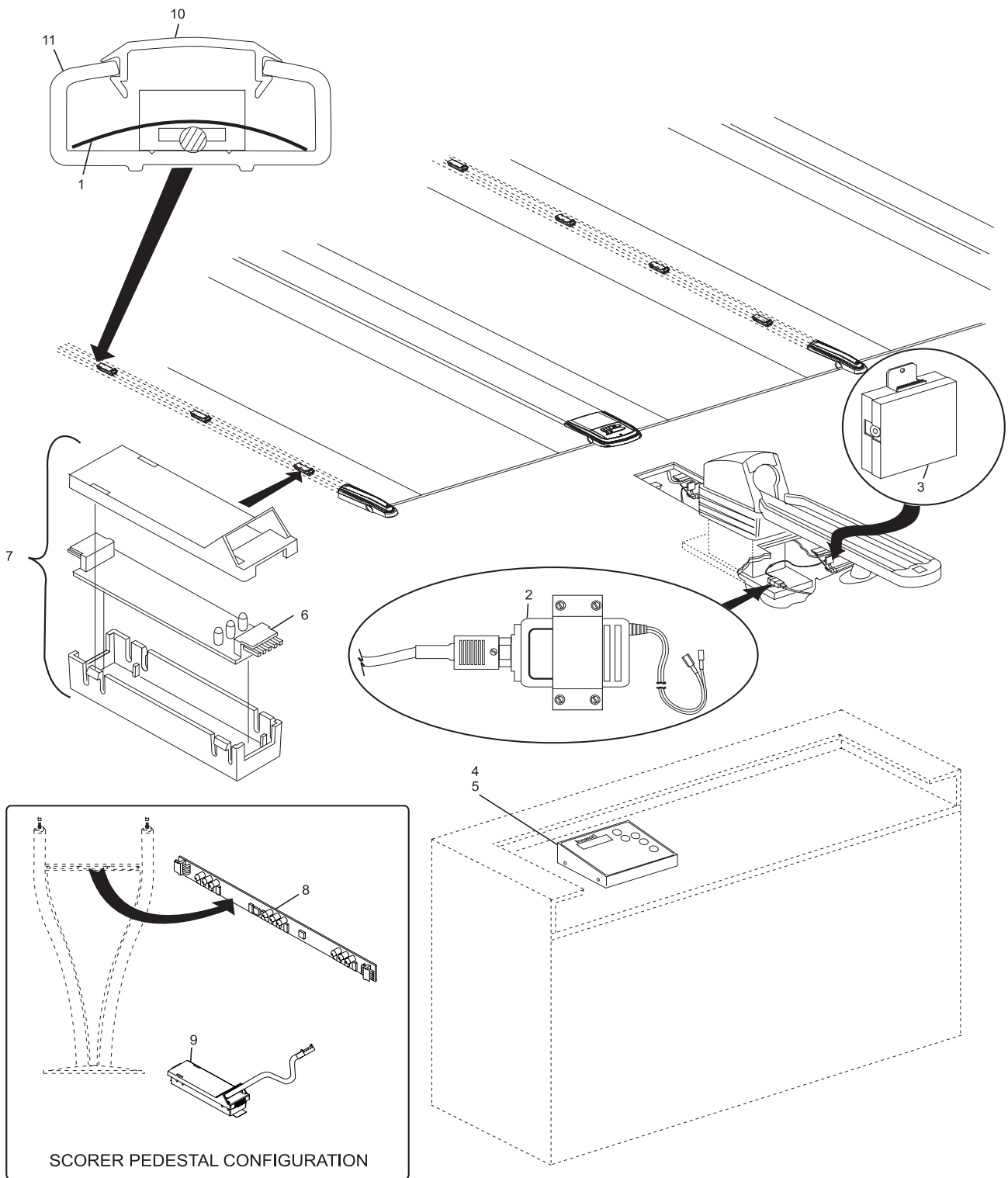
<b>Index No.</b>	<b>Part No.</b>	<b>Description</b>
1.	53-861012-000	Frameworkx Modular Wall Coat Rack

## **Frameworkx Modular Wall Coat Rack**



**Frameworkx Modular Wall Coat Rack**

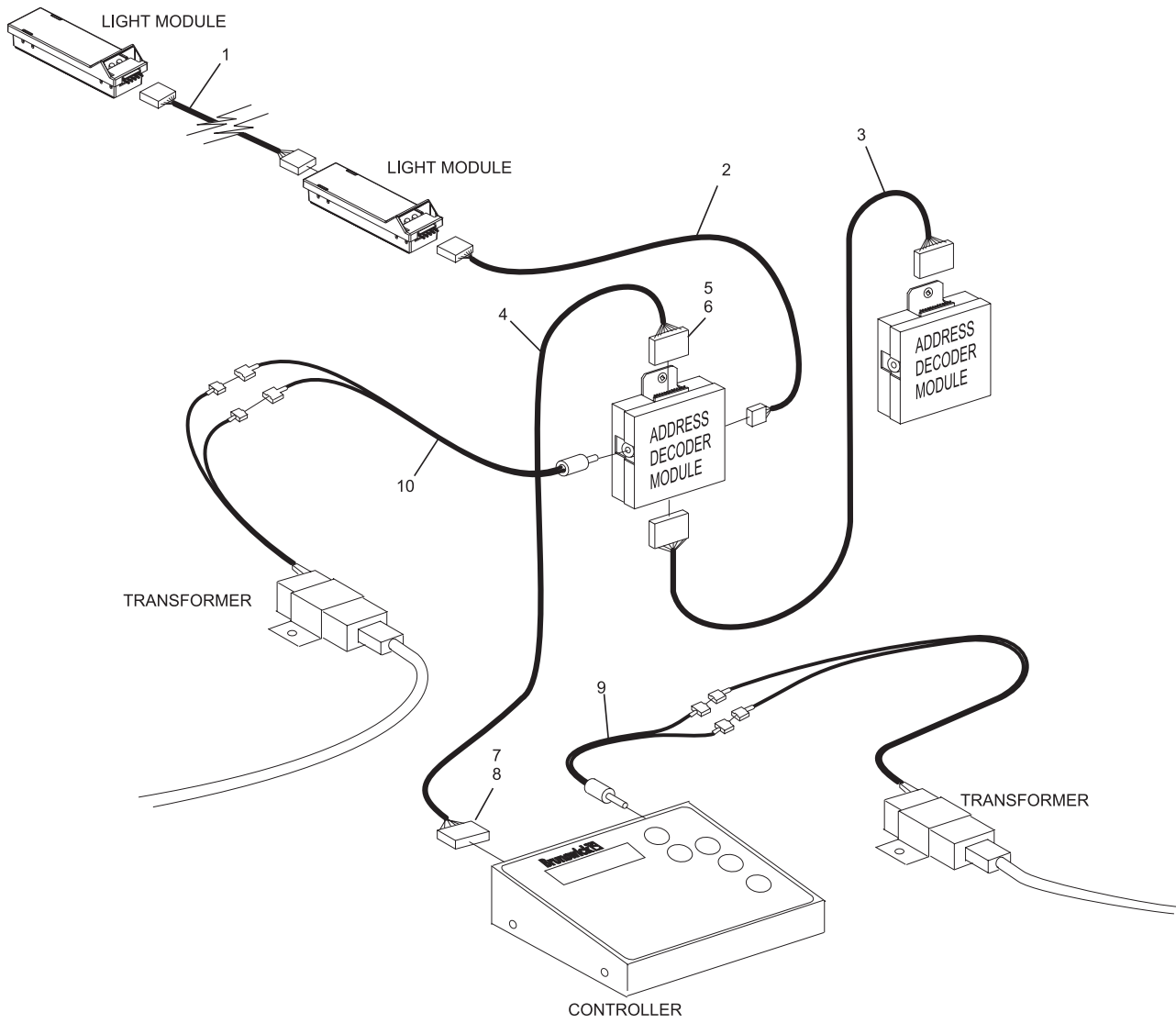
<b>Index No.</b>	<b>Part No.</b>	<b>Description</b>
1.	84-200299-000	Cosmetic Cover - package of 20
2.	53-860326-100	Transformer - 100VAC, 50 Hz (includes IEC Connector)
	53-860327-115	Transformer - 115VAC, 60 Hz (includes Power Cord)
	53-860326-230	Transformer - 230VAC, 50 Hz (includes IEC Connector)
3.	84-200292-000	Address Decoder Module
4.	84-200330-400	Lightworx Controller - Complete
5.	84-860612-000	Keypad Only
6.	84-860607-000	Light Module PCB
7.	84-200295-000	Light Module Assembly - Complete
8.	84-200353-000	Light Module Assembly - Scorer Pedestal
9.	57-300943-000	Splitter Assembly - Scorer Pedestal
10.	84-200224-301	PKG. 6 Clear Division Capping
11.	84-200541-000	Division Capping - Grey (9' 9")



## Lightworx System

<b>Index No.</b>	<b>Part No.</b>	<b>Description</b>
1.	84-200287-000	Light Module to Light Module Cable
2.	84-200298-000	Address Decoder Module to Light Module Cable (20')
3.	84-200288-000	Address Decoder Module to Address Decoder Module Cable (16')
4.	84-200289-000	Control Module Interface Cable (300')
5.	11-697219-000	Connector
6.	11-680326-000	Terminal
7.	11-680998-000	Connector
8.	11-680981-000	Terminal
9.	84-200331-000	Lightworx Controller Power Adapter Cable (10")
10.	84-200332-000	Address Decoder Module Power Adapter Cable (1')

## **Lightworx System Cables**



## Lightworx System Cables