

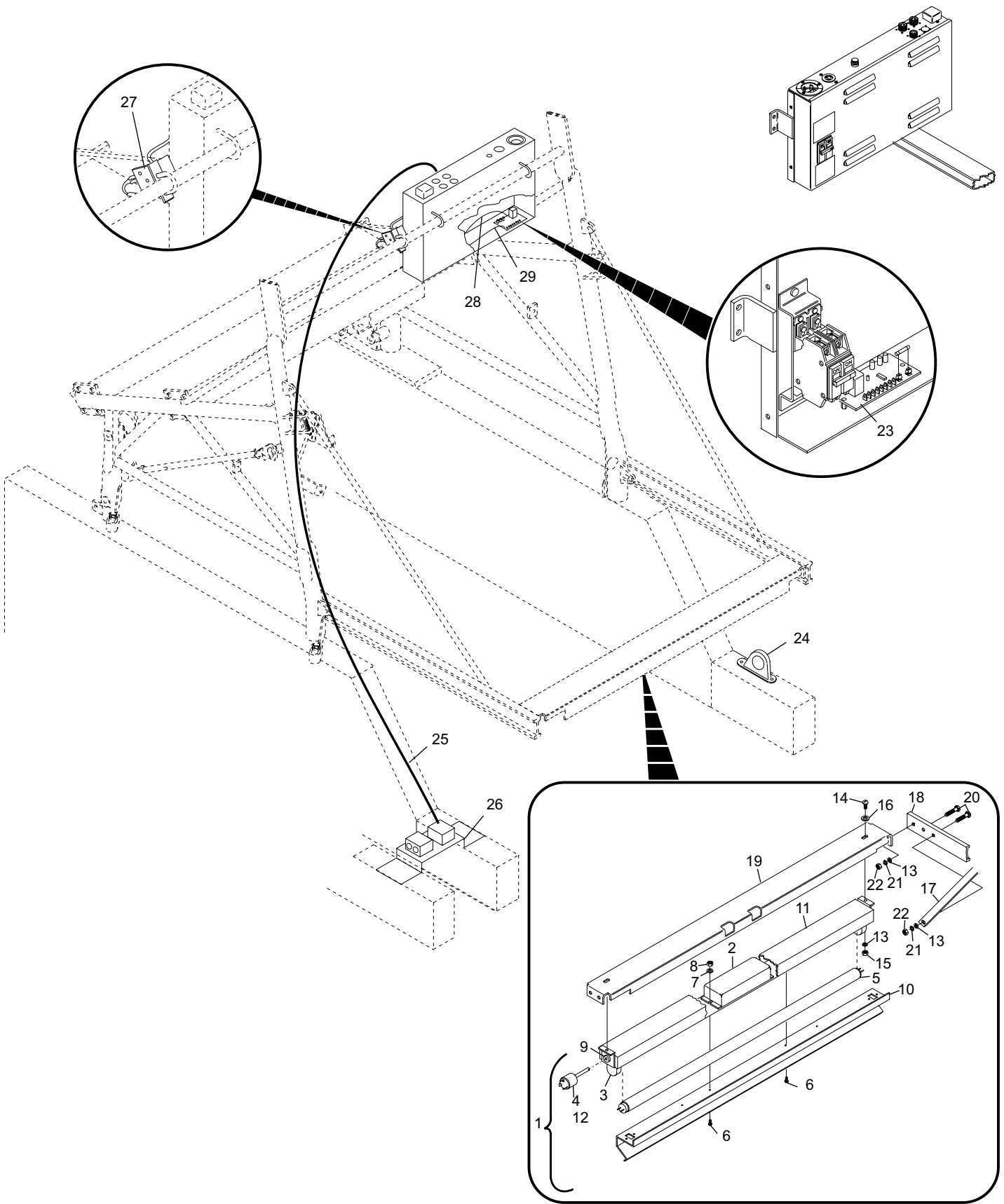
Section M

Electrical

Index

No.	Part No.	Description
1.	N.A.	Pin Light Fixture Assembly - See Note
2.	12-750994-000	Ballast (115 Volt)
3.	N.A.	Lamp Holder
4.	12-750983-0	00 Cord Assembly
5.	12-750992-000	40 Watt Pin Lamp (48" T-12)
6.	11-012563-001	Pan Head Socket Cap Screw & External Lockwasher
7.	11-190004-001	Flat Washer (#8)
8.	11-125003-001	Hex Nut (#8-32)
9.	11-611011-000	Large Strain Relief Bushing
10.	12-750986-000	Pin Light Reflector
11.	12-750985-000	Channel Assembly
12.	N.A.	Twist Lock Cap
13.	11-195014-001	Lockwasher (1/4)
14.	11-107148-001	Machine Screw-R.H. (1/4-20 x 3/4")
15.	11-125007-001	Hex Nut (1/4-20)
16.	11-190010-001	Flat Washer (1/4)
17.	12-750255-000	Link
18.	12-750798-000	Brace
19.	12-750799-000	Pin Light Support
20.	11-001346-001	Hex Head Cap Screw (3/8-16 x 1-1/4")
21.	11-195016-001	Lockwasher (3/8)
22.	11-125104-001	Hex Nut (3/8-16)
23.	12-862918-400	Universal Trigger PC Board Assembly
24.	17-600702-000	Dual Reflector Assembly
25.	12-752402-000	Ball Detect Cable Assembly
26.	N.A.	Ball Detect Assembly
	57-214904-000	Photo Cell & Cable Assembly
27.	12-752396-000	Rake Down Switch
28.	12-752403-000	Scorer Wire Harness Assembly
29.	12-752401-000	Safety Lockout Harness

NOTE: Use A2 Dual Lamp for assembly P/N 12-862920-000

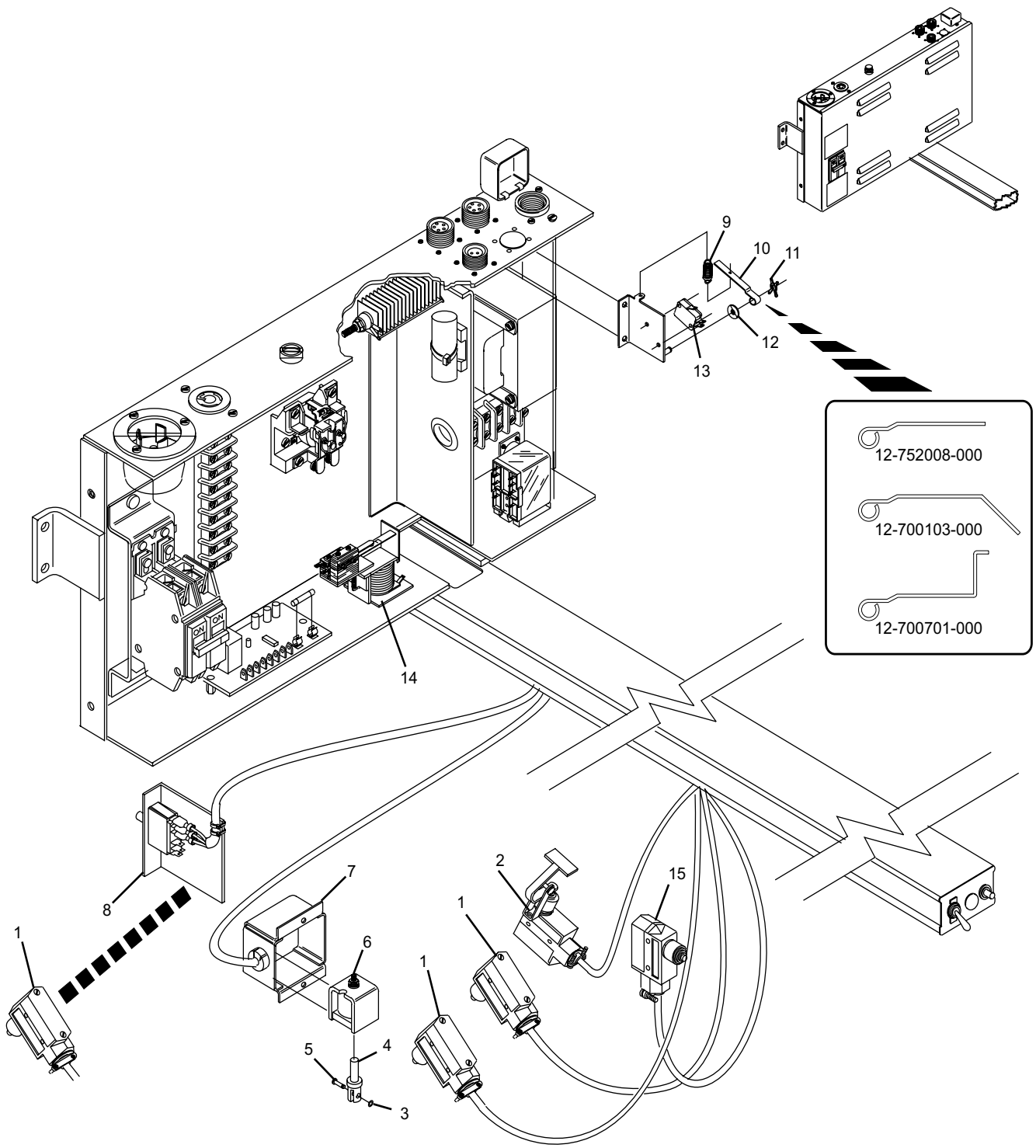


Electrical Assembly

Index

No.	Part No.	Description
1.	12-860563-000	Microswitch Assembly
	11-615052-000	Micro Switch
2.	12-860205-000	Switch Assembly
	11-615053-000	Micro Switch
3.	11-625538-000	O-Ring
4.	10-688003-003	Solenoid Plunger
5.	10-229451-000	O-Ring Pin
6.	10-688003-000	Solenoid, Guardian Type, 208-230V, 60HZ, See Note
	10-688009-000	Solenoid (115V)
7.	12-102020-000	Cover
8.	11-674995-000	Push Button Switch
9.	12-752005-000	Spring
10.	12-752008-000	Lever
	12-700103-000	Lever
	12-700101-000	Lever
11.	11-230001-001	X-Washer (1/8)
12.	11-190010-001	Flat Washer (1/4)
13.	11-616013-000	Switch (#V3-101-D8)
14.	12-862827-000	Motor Start Relay, 3 pole
	12-862829-000	Motor Start Relay, 2 pole
	12-860206-000	Switch Shipping Assembly

NOTE: Use 10-688006-000 for Deltrol



Electrical Control Box

Index

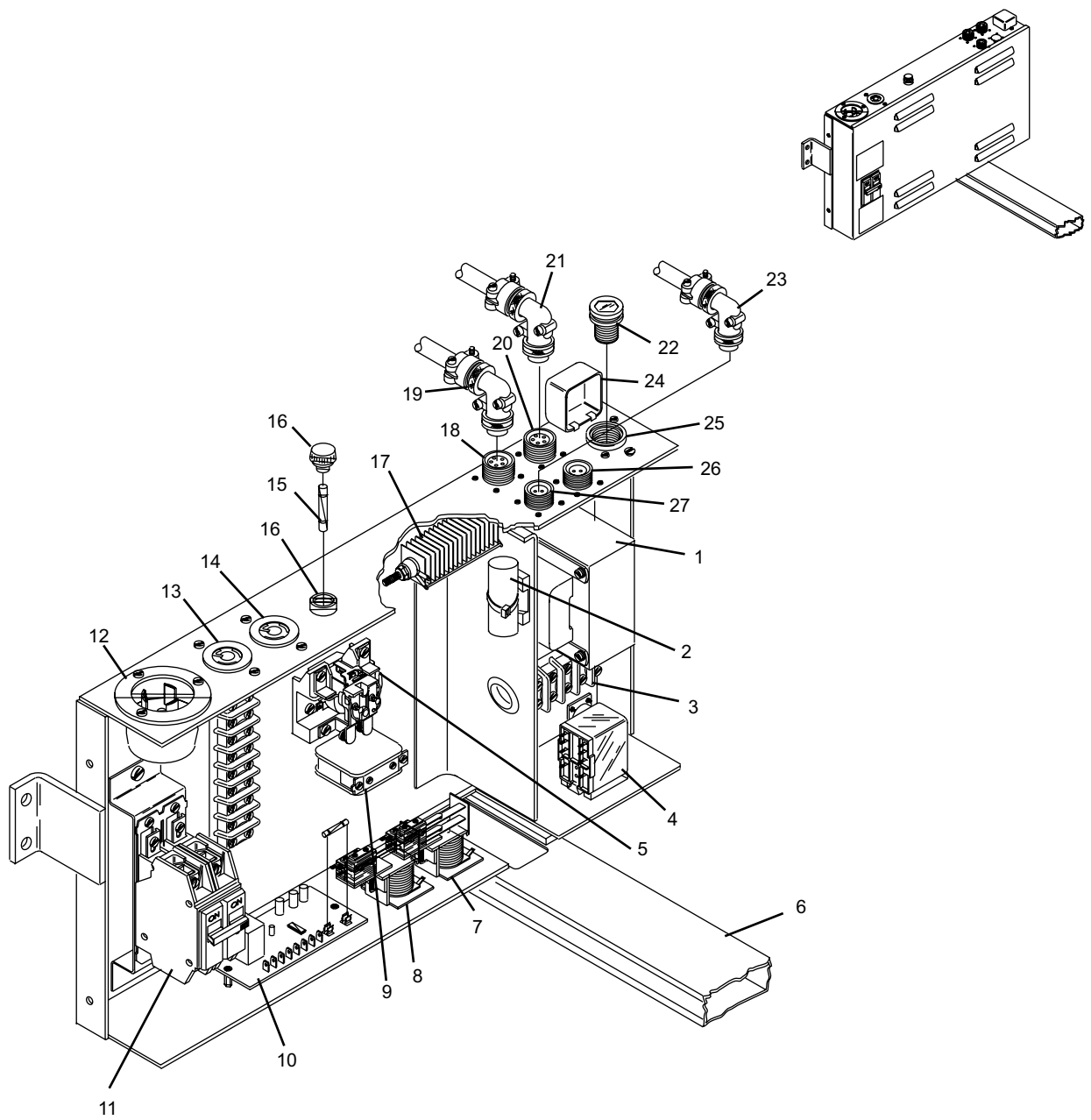
No.	Part No.	Description
1.	12-862165-000	Transformer, See Note 1
	11-696107-000	Capacitor (.50 UF)
2.	10-700202-000	Terminal Strip
3.	11-672518-000	Relay
4.	12-862111-000	Motor Contactor
5.	12-860621-000	Contractor - Relay Kit
	N.A.	Electrical Box, complete
6.	12-862827-000	Motor Start Relay, 3 pole
7.	12-862829-000	Motor Start Relay, 2 pole
	12-862828-000	Relay
8.	10-679151-000	Motor Overload Relay
9.	10-679157-000	Heater - 4.65 amp
	10-679158-000	Heater - 5.13 amp
	10-679159-000	Heater - 5.69 amp
	10-679160-000	Heater - 6.32 amp
	10-679161-000	Heater - 6.99 amp
	10-679163-000	Heater - 8.37 amp
	10-679164-000	Heater - 9.13 amp
	10-679165-000	Heater - 9.96 amp
	10-679166-000	Heater - 10.8 amp
	10-679167-000	Heater - 11.7 amp
	10-679168-000	Heater - 12.9 amp
	10-679169-000	Heater - 14.1 amp
	10-679170-000	Heater - 15.4 amp
	10-679171-000	Heater - 16.9 amp
	12-750173-000	Heater Element
	N.A.	Overload Heater Element (Allen Bradley #N33), 12.9 amp, 115 volt
	N.A.	Overload Heater Element (Federal Pacific), 12.6 amp, 115 volt
	N.A.	Overload heater Element (Allen Bradley #N26), 6.37 amp, 208 volt
	N.A.	Overload Heater Element (Allen Bradley #N26), 7.01 amp, 208 volt
	N.A.	Overload Heater Element (Federal Pacific), 7.1 amp, 230 volt
	N.A.	Overload Heater Element (Allen Bradley #N25), 5.8 amp, 220 volt
	N.A.	Overload Heater Element (Federal Pacific), 6.3 amp, 208 volt
	N.A.	Overload Heater Element (Federal Pacific), 14.2 amp, 115 volt
	N.A.	Overload Heater Element (Federal Pacific), 8.0 amp, 230 volt
	12-862890-000	Time Delay Module (Solid State)
10.	12-860627-000	Circuit Breaker & Bracket
11.	N.A.	Circuit Breaker, See Note 2
	11-679202-000	Connector Body
12.	11-679306-000	Twist Lock Receptacle
	11-678001-000	Electrical Cap (230 Volt)
13.	11-679303-000	Twist Lock Receptacle
	11-679307-000	Twist Lock Receptacle - Hubbell 7586
	11-678001-000	Electrical Cap (230 Volt)
14.	11-679307-000	Twist Lock Receptacle - Hubbell 7586
	11-684104-000	Fuse, 1 amp
15.	11-685017-000	Fuse, 3 amp
	11-685127-000	Fuse Holder
16.	12-750079-000	Selenium Rectifier
17.	12-750031-000	Box Mounting Receptacle
18.	N.A.	90 degree angle plug
19.	12-750032-000	Box Mounting Receptacle
20.	11-623001-000	90 Degree Angle Plug
21.	12-750180-000	Fustat
22.	11-623005-000	90 Degree Angle Plug
23.	12-750181-000	Fuse Cover
24.	12-750179-000	Fuse Receptacle
25.	12-750198-000	Signal System Receptacle
26.	12-750033-000	Box Mounting Receptacle
27.		

N.A. = No Longer Available

NOTE 1: Order 12-862164-000 for A/A2 Pinsetters

NOTE 2: Order 12-860627-000 Circuit Breaker Assembly

Electrical Control Box



Electrical Control Box