

Section B

Detector

Index

No.	Part No.	Description
1.	12-100350-000	Link
2.	12-102108-000	Deck Hook Selector Assembly
3.	12-100355-000	Spacer
4.	11-436000-000	Ball Bearing
5.	12-100166-026	X-Washer Pin
6.	12-100185-012	Spacer
7.	12-100157-000	Spring
8.	12-100395-000	Detector Latch Assembly, See Note 2
9.	11-421009-000	Bearing (.3765 I.D. X .502 O.D.)
10.	11-420006-000	Bearing (.3765 I.D. X .503 O.D.)
11.	11-420064-000	Bearing (.3765 I.D. X .503 O.D.)
12.	12-100170-009	Washer
13.	11-422009-000	Bearing (.510 I.D. X 1.000 O.D.)
14.	12-100398-000	Detector Lever Assembly
15.	11-420032-000	Bearing (.3765 I.D. X .503 O.D.)
16.	12-100170-008	Washer
17.	12-100004-002	Shaft
18.	N.A.	B-Shaft Assembly (See page 6B & 12B for breakdown)
19.	12-100166-011	X-Washer Pin
20.	12-100189-000	"D" Shaft Assembly, See page 16B
21.	12-100155-000	Shoe
22.	11-360462-000	Spirol Pin (3/16 x 7/8")
23.	N.A.	C-Shaft Assembly (See page 14B for breakdown)
24.	12-100205-000	Detector Mounting Assembly
25.	11-421014-000	Bearing (.502 I.D. X .627 O.D.)
26.	11-436002-000	Stud Bearing (.186 I.D. X .500 O.D.)
27.	11-230000-001	X-Washer (3/32)
28.	11-230001-001	X-Washer (1/8)
29.	11-361315-000	Spirol Pin (3/16 x 1-3/8")
30.	12-100116-000	Shaft
31.	12-100004-004	Shaft
32.	12-102398-000	Detector Lever Assembly, for machines 90000 up
33.	11-360260-000	Spirol Pin (3/32 x 3/4")

N.A. = No Longer Available

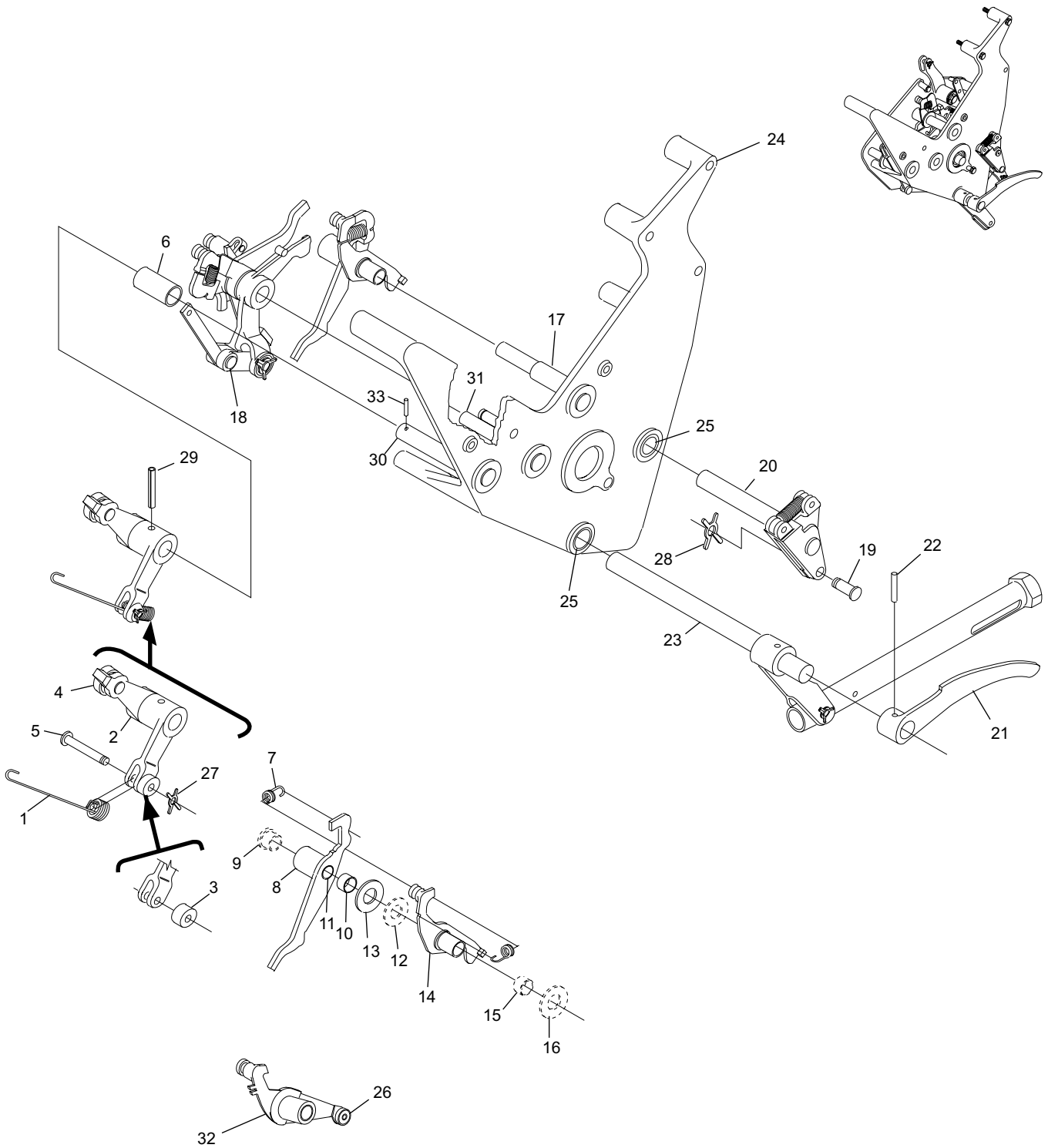
NOTE 1: When ordering Link 12-100350-000 for machines prior to S/N 5397, Spacer 12-100355-000 and X-Washer Pin 12-100166-026 must also be ordered.

NOTE 2: When ordering Detector Latch 12-100395-00 for machines prior to S/N 23001, also order 11-422009-000 Bearing.

NOTE 3: For machines below S/N 27001, also order 12-100004-002.

NOTE 4: For machines below S/N 27001, also order 12-100398-000.

Detector Assembly

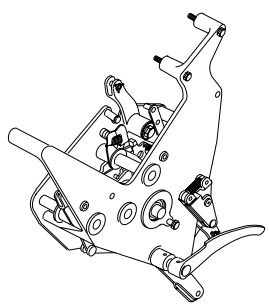
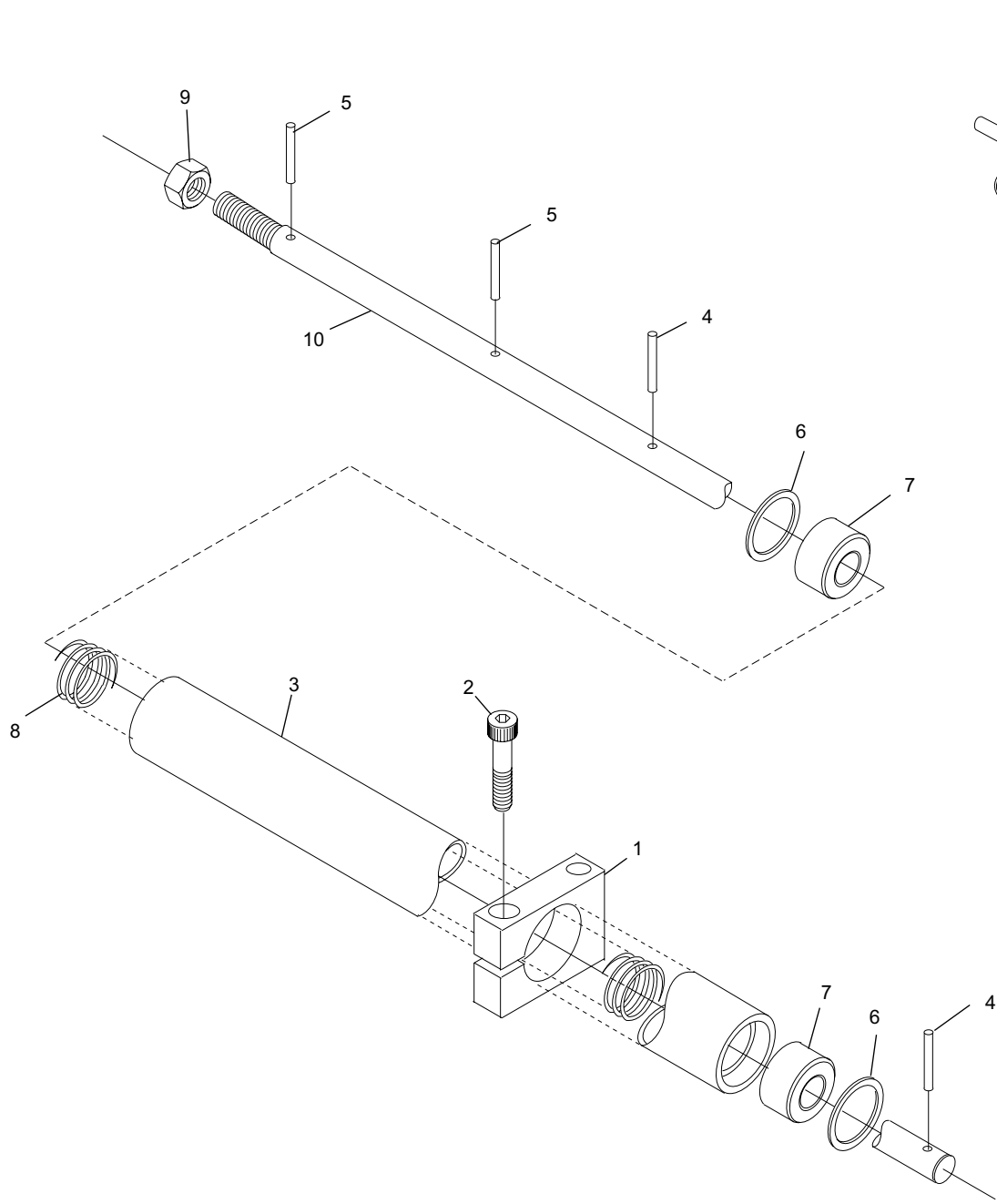


Detector Assembly

Index No.	Part No.	Description
	1.	12-100052-000 Pivot Block
2.	11-005093-001	Hex Head Socket Cap Screw (10-24 x 7/8")
3.	12-100079-000	Guide
4.	11-360257-000	Spirol Pin (3/32 x 9/16")
5.	11-360258-001	Spirol Pin (3/32 x 5/8")
6.	12-100196-000	Retaining Ring
7.	12-100139-006	Bearing
8.	12-100167-000	Spring
9.	11-125201-001	Hex Jam Nut (1/4-28)
10.	12-100017-000	Detector Rod

NOTE: To purchase a detector rod assembled complete, order part no. 12-100261-000.

Detector Rod Assembly



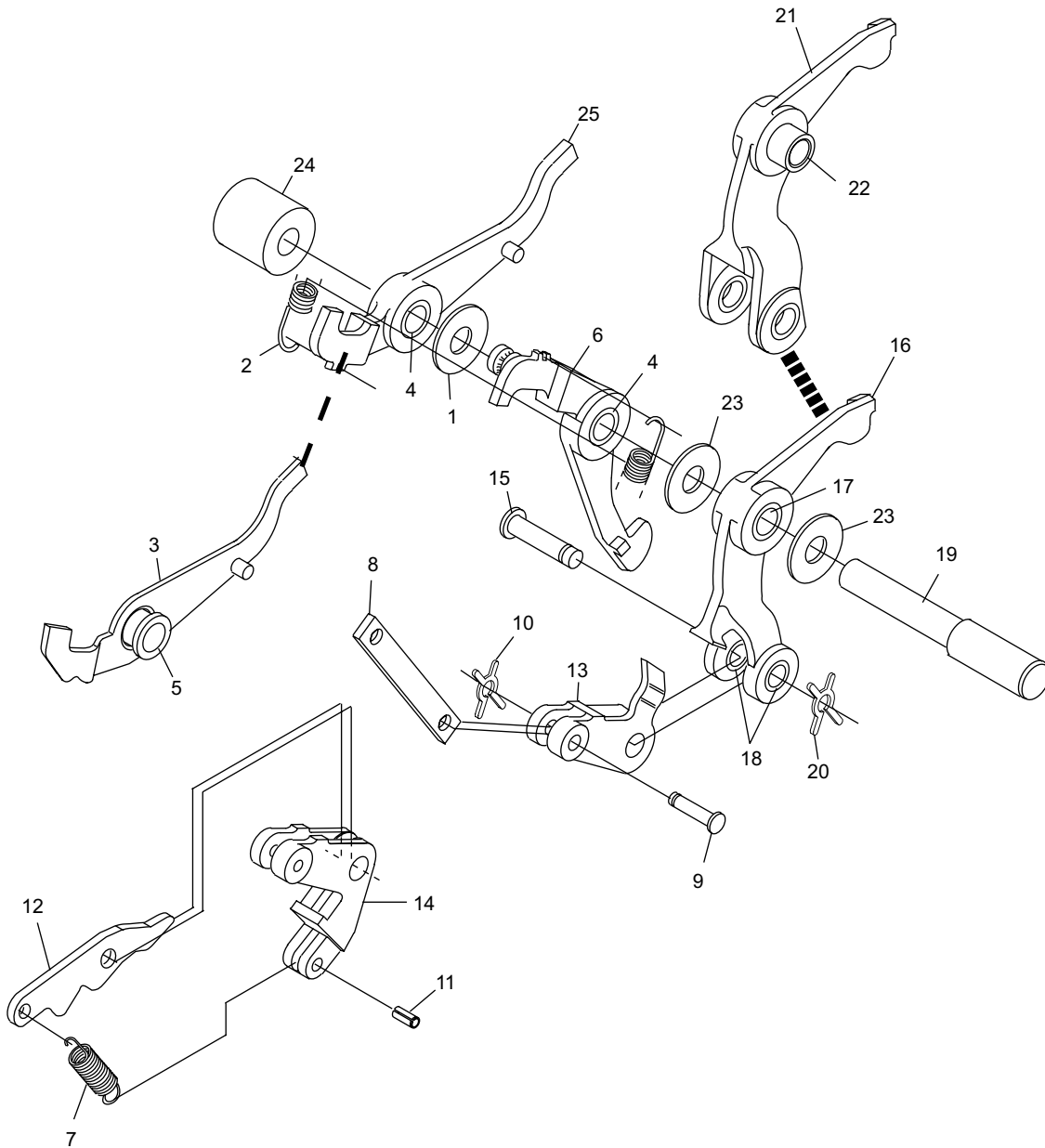
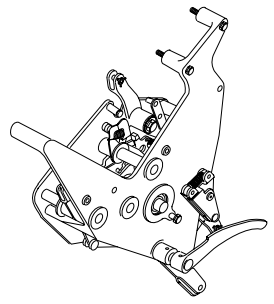
Detector Rod Assembly

Index

No.	Part No.	Description
1.	12-100170-009	Washer
2.	12-100157-000	Spring
3.	12-100404-000	Detector Latch Assembly
4.	11-420006-000	Bearing (.3765 I.D. X .503 O.D.)
5.	11-421062-000	Bearing (.3765 I.D. X .503 O.D.)
6.	12-100400-000	Detector Latch Assembly
7.	12-100118-000	Spring
8.	12-100113-000	Link
9.	12-100166-024	X-Washer Pin
10.	11-230000-001	X-Washer (3/32)
11.	11-345304-000	Roll Pin (3/16 x 1/2")
12.	N.A.	Latch Finger
13.	12-100382-000	Latch
14.	N.A.	Latch
15.	12-100166-029	Pin
16.	N.A.	Detector Lever Assembly-See Note 1
17.	11-420053-000	Bearing (.3765 I.D. X .5025 O.D.)
18.	11-420068-000	Bearing (.316 I.D. X .440 O.D.)
19.	12-100004-002	Shaft
20.	11-230002-001	"X" Washer (5/32)
21.	12-100406-000	Detector Lever Assembly
22.	12-100405-000	Flanged Bronze Bearing
23.	12-100170-008	Washer
24.	12-100185-018	Spacer
25.	N.A.	Detector Latch Assembly - Casting

N.A.= No Longer Available

NOTE 1:When replacing Lever Assembly in machines prior to S/N 23001, order 12-100406-000 (index 21); also replace the Roll Pin with X- Washer Pin 12-100166-029 and X- Washer 11-230002-001; and replace 12-100004-002 Shaft with 12-100004-004 Shaft



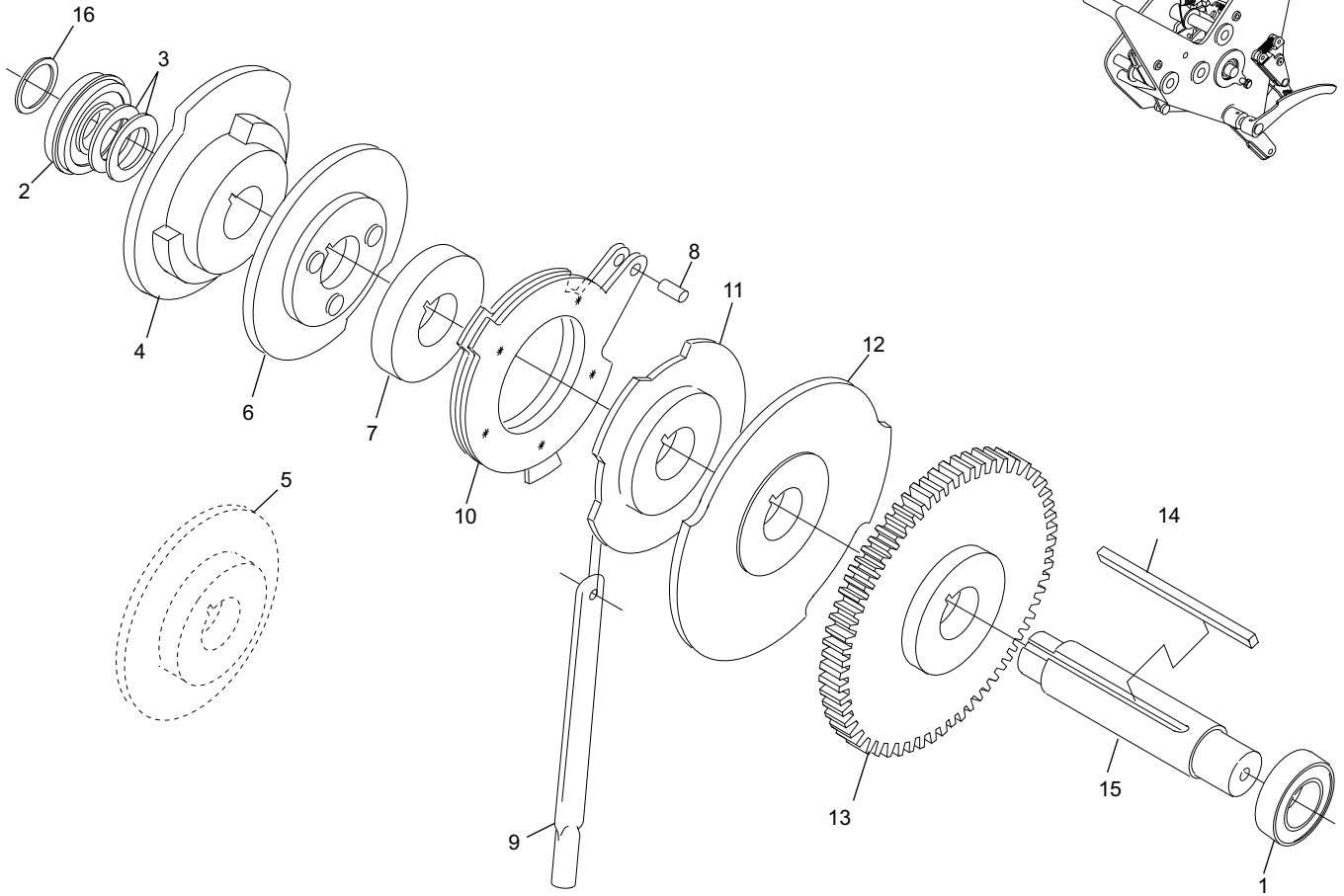
**Detector "B" Shaft Assembly
(for machines prior to 90,000)**

Index

No.	Part No.	Description
1.	11-431002-000	Ball Bearing
2.	11-431003-000	Ball Bearing
3.	10-191550-000	Washer
4.	12-100037-000	Cam
5.	N.A.	Cam
6.	12-100501-000	Cam
7.	12-100502-000	Spacer
8.	11-345302-001	Roll Pin (3/16 x 3/8")
9.	N.A.	Detector Rod End
10.	12-100016-000	Detector Disc, for machines prior to 90,000
	12-102380-000	Detector Disc, for machines 90,000 and up
11.	12-100111-000	Cam
12.	12-100112-000	Cam
13.	12-100198-000	Detector Gear
14.	12-100187-011	Square Key
15.	12-100070-000	Detector Shaft
16.	12-100416-002	Shim

N.A.= No Longer Available

Detector Main Shaft Assembly



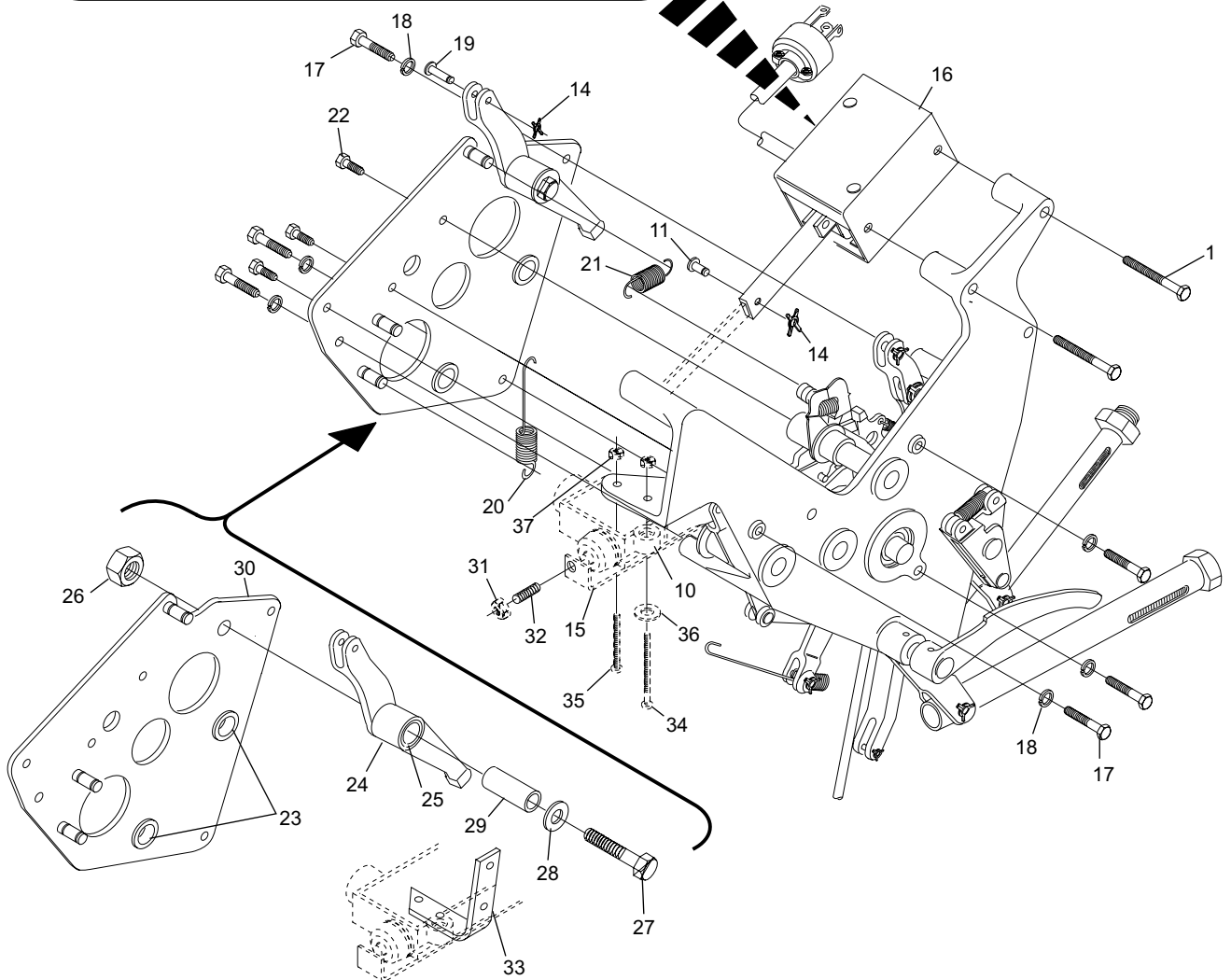
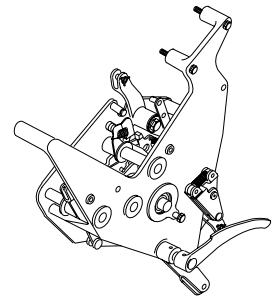
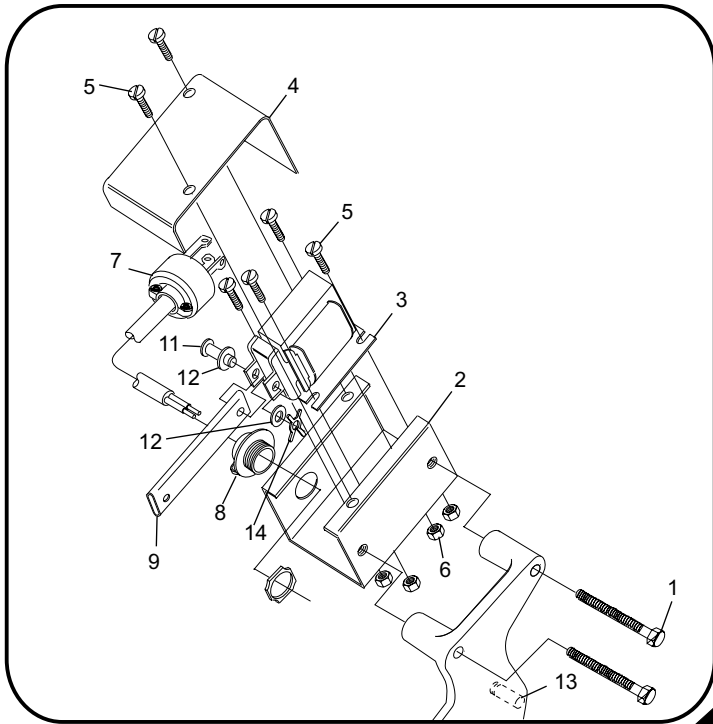
Detector Main Shaft Assembly

Index

No.	Part No.	Description
1.	11-017177-001	Round Head Cross Res. W/ Ext. Tooth Lockwasher (10-24 x 2")
2.	N.A.	Solenoid Box
3.	12-100022-000	Solenoid (110 Volt)
4.	12-100277-000	Solenoid Box Cover
5.	11-017163-001	Round Head Cross Res. W/ Ext. Tooth Lockwasher (10-24 x 1/2")
6.	11-170005-001	Hex Nut Nylock (#10-24)
7.	11-678001-000	Electrical Cap (230 Volt)
8.	11-602101-000	Cord Grip
9.	N.A.	Link, use 12-100363-000 Link
10.	N.A.	Spacer, for machines prior to S/N 1593
11.	12-100166-022	X-Washer Pin
12.	11-190006-001	Flat Washer - SAE (#10)
13.	12-100169-003	Pin
14.	11-230000-001	X-Washer (3/32)
15.	N.A.	Stop, for machines prior to S/N 1593
16.	N.A.	Solenoid Assembly - See Insert Box
17.	11-002004-001	Hex Head Cap Screw (1/4-20 x 1")
18.	11-195014-001	Lockwasher (1/4)
19.	12-100166-006	X-Washer Pin (7/8 x .187)
20.	12-100015-000	Tension Spring
21.	12-100084-000	Tension Spring
22.	11-015165-001	Hex Head Socket Cap Screw (10-24 x 5/8")
23.	11-421015-000	Flanged Oilite Bearing
24.	N.A.	Deck Hook Latch Assembly
25.	11-421011-000	Bearing (.502 I.D. X .627 O.D.)
26.	11-125202-001	Hex Jam Nut (5/16-18)
27.	11-015377-001	Hex Head Bolt and Lockwasher Assembly
28.	11-190012-001	Flat Washer - SAE (5/16)
29.	12-100185-008	Spacer
30.	12-100314-000	Detector Mounting Plate Assembly
31.	11-125005-001	Hex Nut (#10-32)
32.	11-100588-000	Headless Socket Set Screw
33.	N.A.	Bracket, for machines prior to S/N 1593
34.	11-107036-000	Round Head Machine Screw, for machines prior to S/N 1593
35.	11-107033-001	Round Head Machine Screw, for machines prior to S/N 1593
36.	N.A.	Washer, for machines prior to S/N 1593
37.	11-170002-001	Hex Nylock Nut (6-32)

N.A. = No Longer Availabe

Detector Assembly
(for machines prior to 90,000)

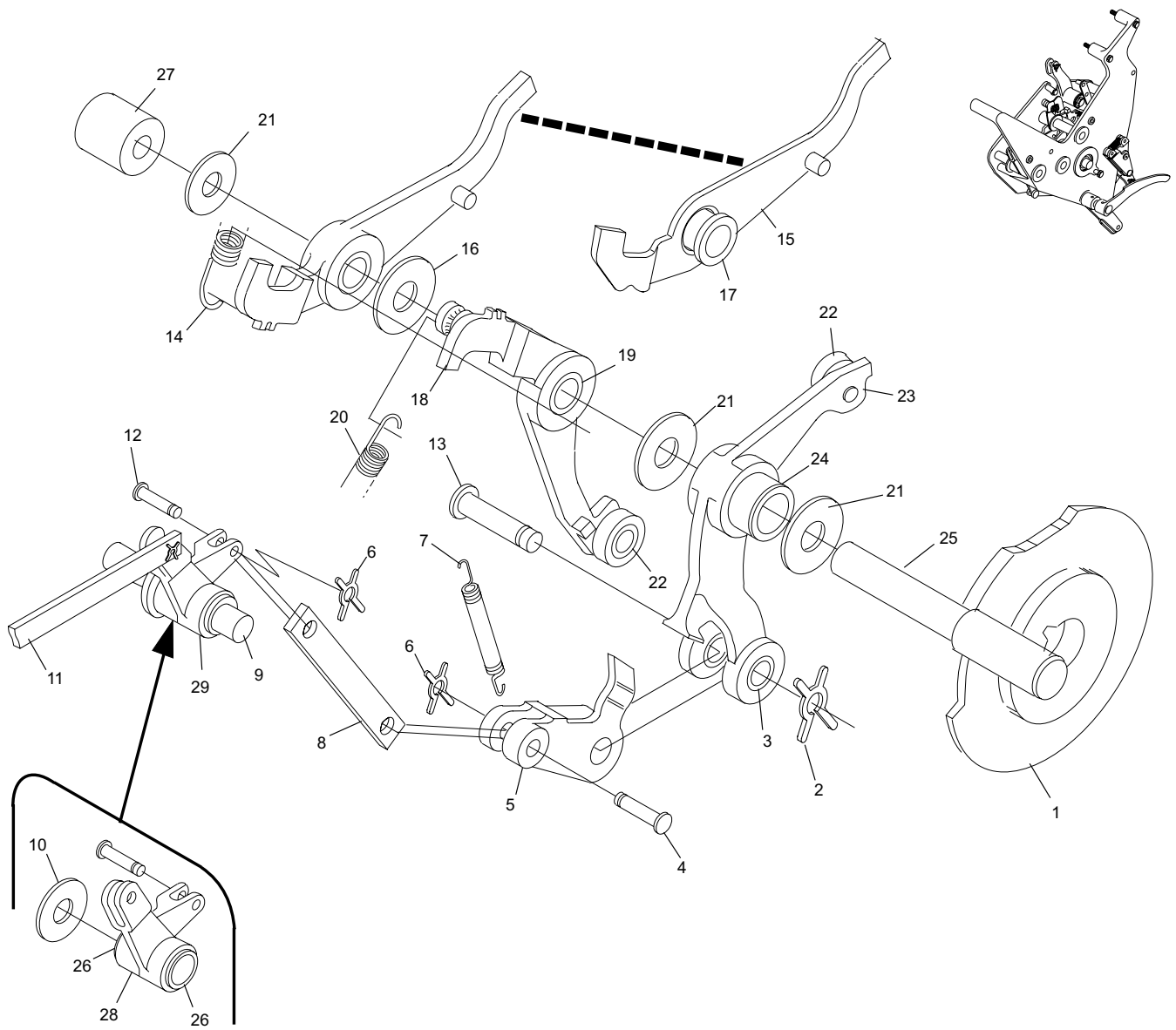


Detector Assembly
(for machines prior to 90,000)

Index

No.	Part No.	Description
1.	12-100111-000	Cam
2.	11-230002-001	"X" Washer (5/32)
3.	11-420068-000	Bearing (.316 I.D. X .440 O.D.)
4.	12-100166-024	X-Washer Pin
5.	12-100382-000	Latch
6.	11-230000-001	X-Washer (3/32)
7.	12-100121-000	Tension Spring
8.	12-100113-000	Link
9.	12-100116-000	Shaft
10.	12-100338-003	Spacer
11.	12-100337-000	Out-of-Range Link Assembly
12.	12-100166-004	X-Washer Pin
13.	12-100166-029	Pin
14.	12-100157-0	00 Spring
15.	12-100404-000	Detector Latch Assembly
16.	12-100170-009	Washer
17.	11-421062-000	Bearing (.3765 I.D. X .503 O.D.)
18.	12-100400-000	Detector Latch Assembly, See Note
	12-102400-000	Detector Lever Assembly
19.	11-420006-000	Bearing (.3765 I.D. X .503 O.D.)
20.	12-100118-000	Spring
21.	12-100170-008	Washer
22.	11-436002-000	Stud Bearing (.186 I.D. X .500 O.D.)
23.	12-102406-000	Detector Lever Assembly
24.	11-420053-000	Bearing (.3765 I.D. X .5025 O.D.)
	12-100405-000	Flanged Bronze Bearing
25.	12-100004-004	Shaft
26.	11-421032-000	Bearing (.502 I.D. X .627 O.D.)
27.	12-100185-018	Spacer
28.	12-100262-000	Intermediate Lever Assembly

NOTE: For S/N 90000 + Up, order 12-102400-000

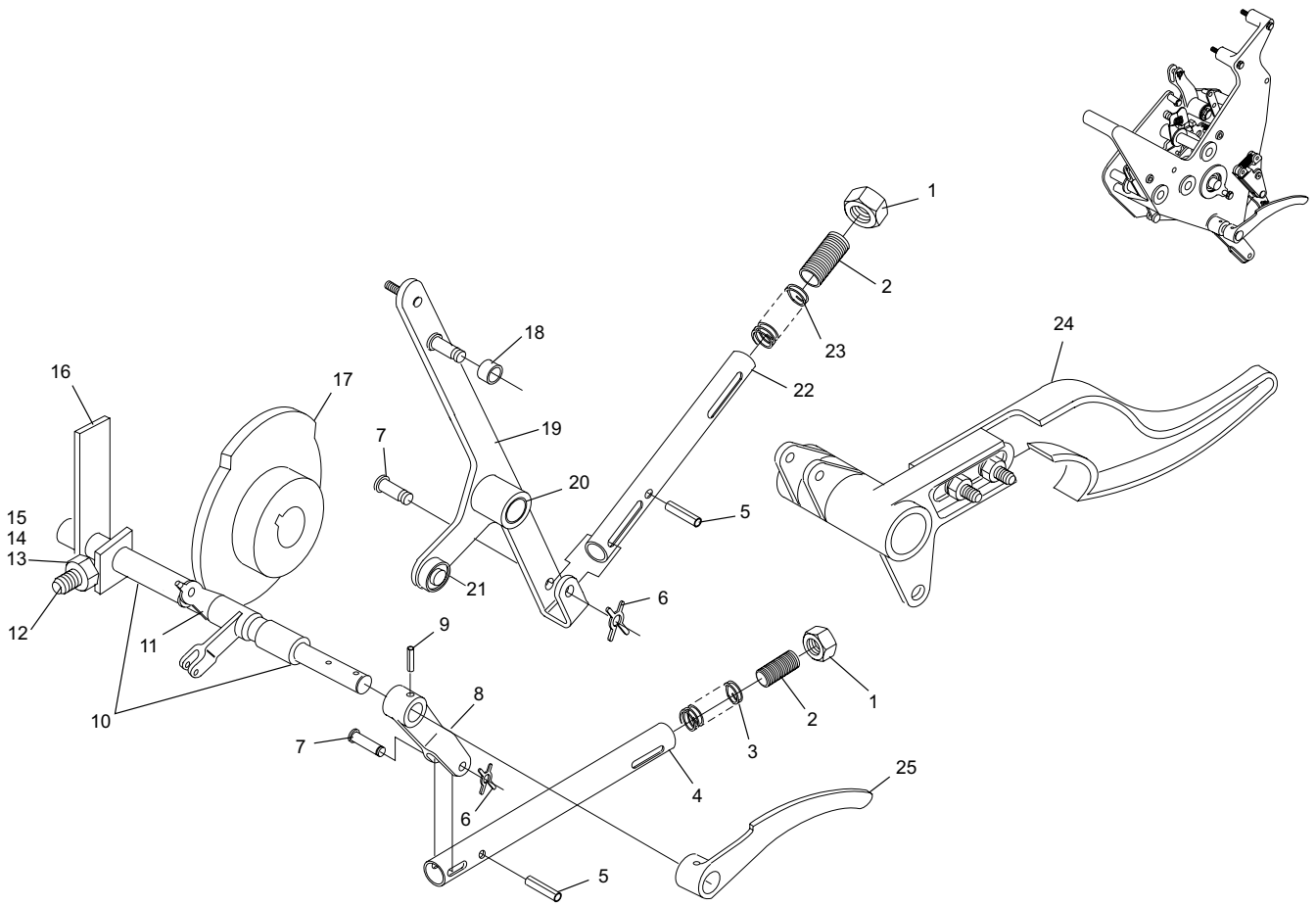


**Detector "B" Shaft Assembly
(for machines prior to 90,000)**

Index

No.	Part No.	Description
1.	11-125213-001	Hex Jam Nut (5/8-18)
2.	11-100915-001	Headless Socket Set Screw (5/8-18 x 1-1/2")
3.	12-100087-000	Spring
4.	12-100057-000	Deck Hook Link
5.	11-360460-000	Spiral Pin (3/16 x 3/4")
6.	11-230001-001	X-Washer (1/8)
7.	12-100166-014	Pin
8.	12-100019-000	Lever
9.	11-345312-000	Roll Pin (3/16 x 1")
10.	12-100014-000	Shaft
11.	12-102108-000	Deck Hook Selector Assembly
12.	11-001186-001	Hex Head Bolt (1/4-20 x 1-1/4")
13.	11-125100-001	Hex Nut (1/4-20)
14.	11-195014-001	Lockwasher (1/4)
15.	11-190010-001	Flat Washer (1/4)
16.	12-100224-000	Lever
17.	12-100037-000	Cam
18.	12-100185-019	Spacer
19.	12-100410-000	Hook Selector
20.	11-420065-000	Bearing (.5025 I.D. X .753 O.D.)
	11-420062-000	Bearing (.503 I.D. X .628 O.D.)
21.	12-100170-018	Washer
	11-436000-000	Ball Bearing
22.	12-100054-000	Deck Hook Link
23.	12-100089-000	Compression Spring
24.	12-350802-600	Advanced Performance Deck Holding Assembly
	12-350802-000	Deck Hook Assembly
	12-350803-600	Advanced Performance Deck Holding Hook
	12-350803-000	Deck Hook
	12-350804-000	Deck Hook Hub
	12-350804-600	Advanced Performance Deck Hook Hub
25.	12-100155-000	Shoe

Detector Assembly



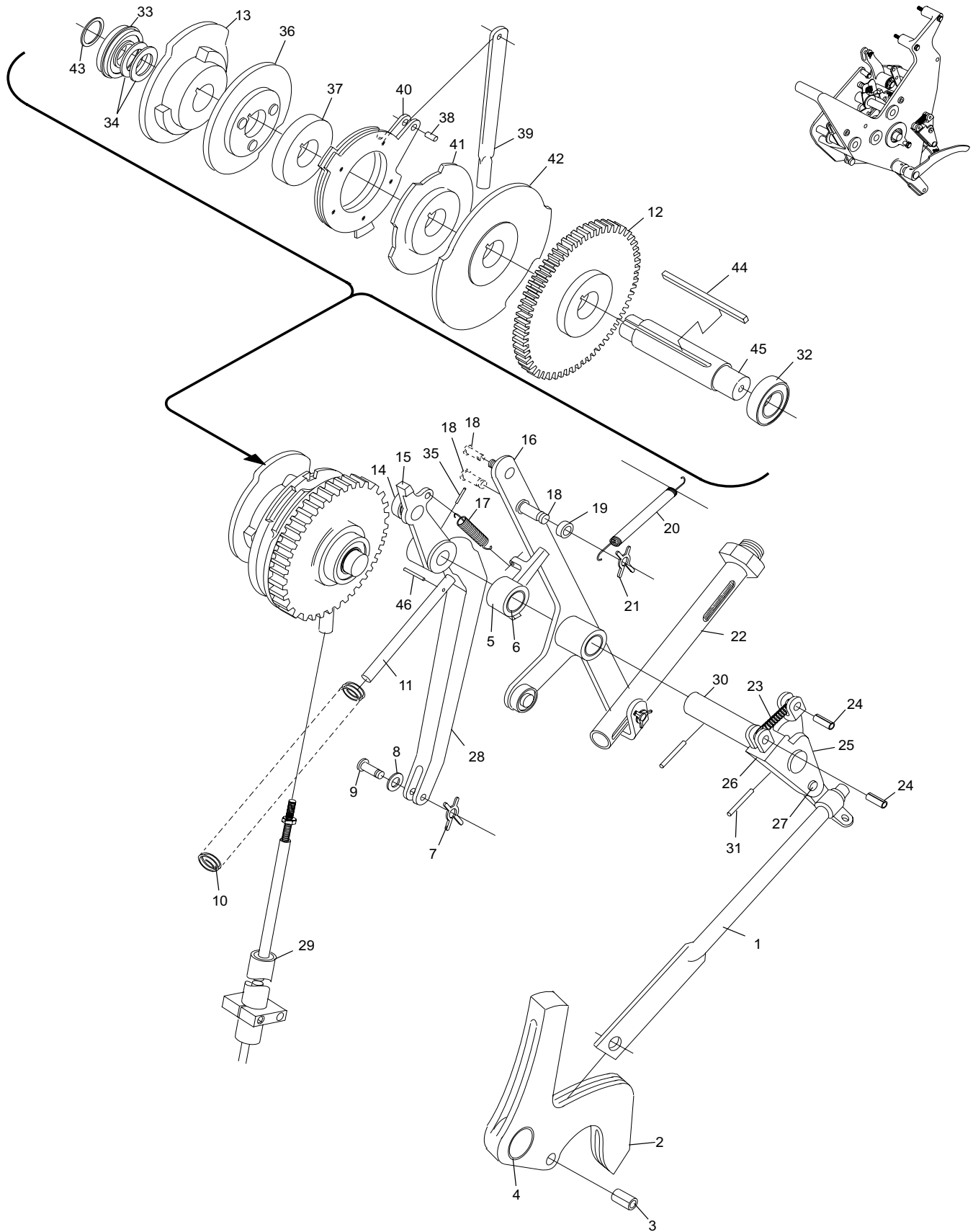
Detector Assembly

Index

No.	Part No.	Description
1.	12-100353-000	Link
2.	12-100238-051	Latch & Bearing Assembly
3.	11-345404-000	Roll Pin (1/4 x 1/2")
4.	11-420018-000	Sleeve Oilite Bearing
5.	12-100183-000	Deck Hook Latch Assembly
6.	11-420041-000	Bearing (.504 I.D. X .628 O.D.)
7.	11-230000-001	X-Washer (3/32)
8.	11-190006-001	Flat Washer - SAE (#10)
9.	12-100166-006	X-Washer Pin (7/8 x .187)
	12-100166-008	X- Washer Pin
10.	12-100082-000	Spring
11.	12-100077-000	Spring Guide
12.	12-100198-000	Detector Gear
13.	12-100037-000	Cam
14.	11-436000-000	Ball Bearing
15.	12-100189-000	"D" Shaft Assembly
16.	12-100410-000	Hook Selector
17.	12-100083-000	Tension Spring
18.	12-100166-004	X-Washer Pin
	12-100166-013	Pin
19.	12-100185-019	Spacer
20.	12-100156-000	Tension Spring
21.	11-230001-001	X-Washer (1/8)
22.	12-100057-000	Deck Hook Link
23.	12-100086-000	Tension Spring
24.	11-345304-000	Roll Pin (3/16 x 1/2")
25.	12-100175-000	Latch
26.	12-100097-000	Deck & Scissor Latch
27.	12-100166-011	X-Washer Pin
28.	12-100129-000	Scissor Cam Lever
29.	12-100261-000	Detector Rod Assembly
30.	12-100188-000	Shaft
31.	11-360264-000	Spiral Pin (3/32 x 1")
32.	11-431002-000	Ball Bearing
33.	11-431003-000	Ball Bearing
34.	10-191550-000	Washer
35.	11-360465-000	Spirol Pin (3/16 x 1-1/8")
36.	12-100501-000	Cam
37.	12-100502-000	Spacer
38.	11-345302-001	Roll Pin (3/16 x 3/8")
39.	N.A.	Detector Rod End
40.	12-100016-000	Detector Disc
	12-102380-000	Detector Disc
41.	12-100111-000	Cam
42.	12-100112-000	Cam
43.	12-100416-002	Shim, as required
44.	12-100187-011	Square Key
45.	12-100070-000	Detector Shaft
46.	11-360364-000	Spiral Pin (1/8 x 1")

N.A. = No Longer Available

Detector Main Shaft Assembly



Detector Main Shaft Assembly

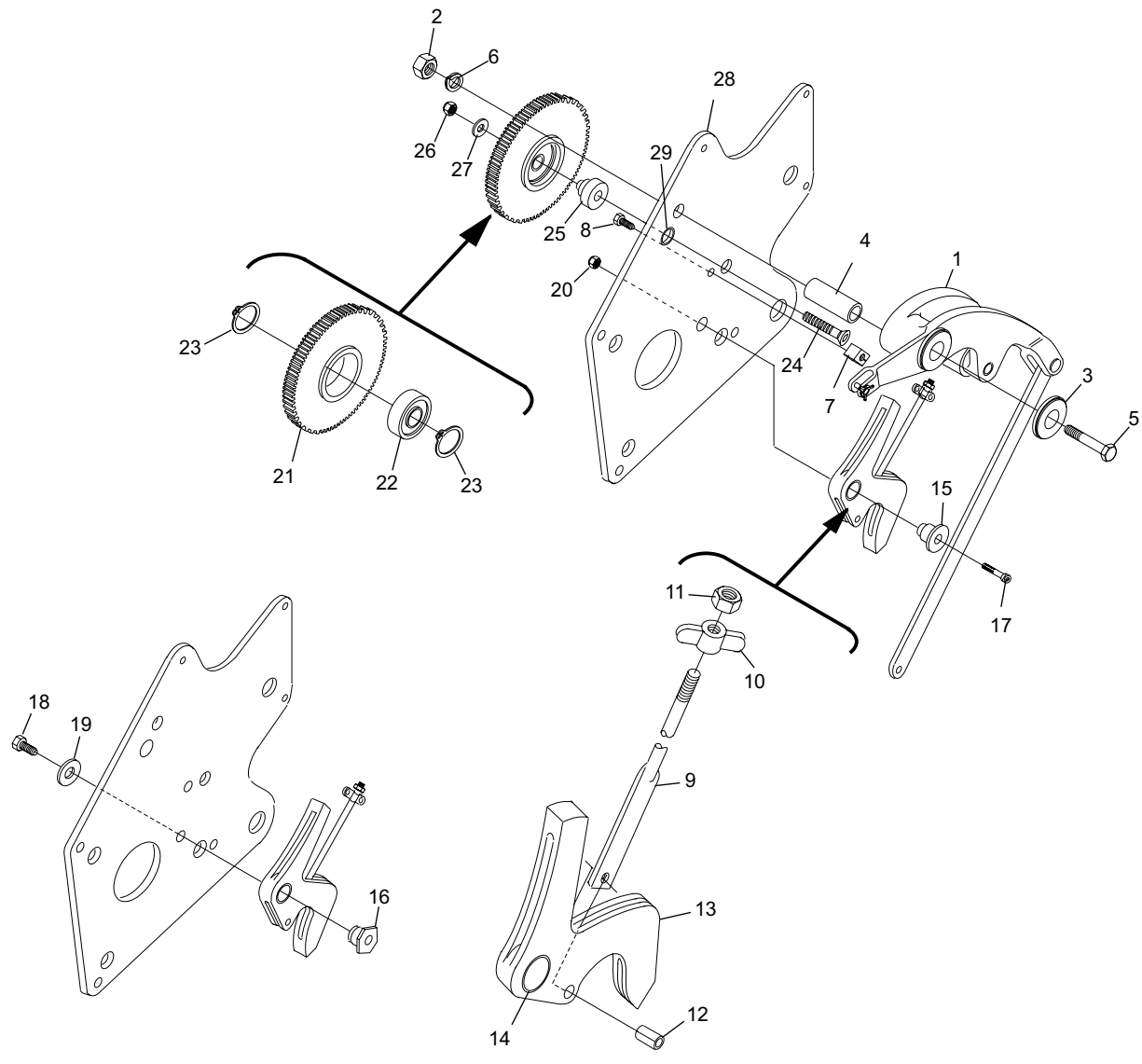
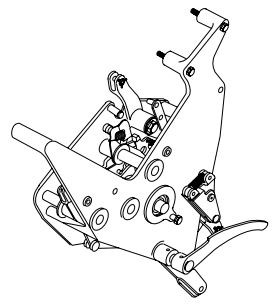
Index

No.	Part No.	Description
1.	12-100365-000	Scissor
2.	11-125108-001	Hex Nut (1/2-13)
3.	12-100170-007	Washer
4.	12-100046-003	Spacer
5.	11-001517-001	Hex Head Socket Cap Screw (1/2-13 x 3-1/4")
6.	11-195018-001	Lockwasher (1/2)
7.	12-100051-000	Stop
8.	11-015367-001	Hex Head Socket Cap Screw (5/16-18 x 3/4")
9.	12-100353-000	Link
10.	12-100354-000	Adjusting Block
11.	11-125203-001	Hex Jam Nut (5/16-24)
12.	11-345404-000	Roll Pin (1/4 x 1/2")
13.	12-100238-051	Latch & Bearing Assembly
14.	11-420018-000	Sleeve Oilite Bearing
15.	12-100488-000	Latch Stud
16.	N.A.	Hex Head Latch Stud-See Note 1
17.	11-005263-001	Hex Head Socket Cap Screw (5/16-18 x 7/8")
18.	11-001262-000	Hex Head Cap Screw (5/16-18 x 3/4")
19.	11-190012-001	Flat Washer - SAE (5/16)
20.	11-170009-001	Hex Nut Nylock (5/16-18)
21.	12-100233-000	Idler Gear
22.	11-430012-000	Bearing, single (.4724 ID X 1.2598 OD)
23.	11-531008-000	Inverted Internal Retaining Ring
24.	11-007190-001	Flat Head Socket Cap Screw (1/4-20 x 1-3/4")
25.	12-100080-000	Stud
26.	11-170007-001	Hex Nut Nylock (1/4-20")
27.	11-190010-001	Flat Washer (1/4)
28.	12-100207-000	Mounting Plate
29.	11-421015-000	Flanged Oilite Bearing

N.A. = No Longer Available

NOTE 1: The Hex Head Latch Stud is no longer available. Order 12-100488-000, 11-005263-000 and 11-170009-000.

Mounting Plate Assembly



Mounting Plate Assembly

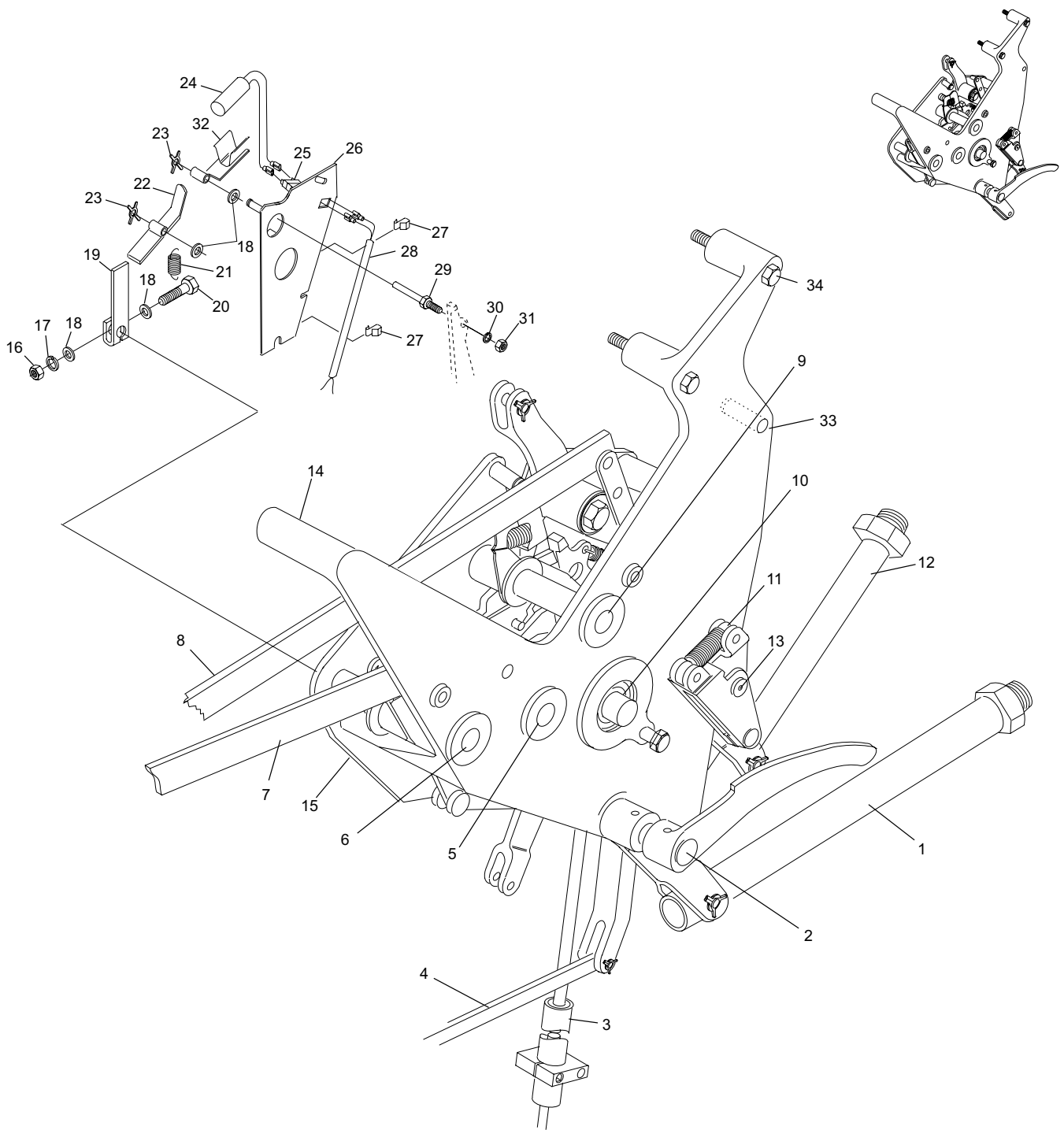
Index

No.	Part No.	Description
1.	12-100057-000	Deck Hook Link
2.	12-100014-000	Shaft
3.	12-100261-000	Detector Rod Assembly
4.	12-100903-000	Pin Detector Link
5.	12-100004-004	Shaft, See Note
6.	12-100116-000	Shaft
7.	12-100337-000	Out-of-Range Link Assembly
8.	12-100040-004	Link
9.	12-100004-002	Shaft
10.	12-100070-000	Detector Shaft
11.	12-100097-000	Deck & Scissor Latch
12.	12-100054-000	Deck Hook Link
13.	12-100189-000	"D" Shaft Assembly
14.	12-100205-000	Mounting
15.	N.A.	Detector Mounting Plate Assembly
16.	11-125100-001	Hex Nut (1/4-20)
17.	11-195014-001	Lockwasher (1/4)
18.	11-190010-001	Flat Washer (1/4)
19.	12-100224-000	Lever
20.	11-001186-001	Hex Head Bolt (1/4-20 x 1-1/4")
21.	12-450051-000	Tension Spring
22.	12-750337-000	Latch Assembly
23.	11-230001-001	X-Washer (1/8)
24.	12-750362-000	Switch
25.	11-609202-000	Tie Down Rubber (35" Long)
	11-613510-000	Terminal Tab
26.	N.A.	Switch Plate Assembly
27.	12-750369-000	Clip
28.	N.A.	Strike Switch Harness
29.	12-750339-000	Pin
30.	11-196006-001	Hi-Collar Lockwasher (#8)
31.	11-125003-001	Hex Nut (#8-32)
32.	12-750344-000	Pivot Assembly
33.	12-100169-003	Pin
34.	11-017177-001	Round Head Cross Res. W/ Ext. Tooth Lockwasher (10-24 x 2")

N.A.= No Longer Available

NOTE: For machines below S/N 27000, also order 12-100398-000 Standing Pin Controller.

Detector Assembly



Detector Assembly