

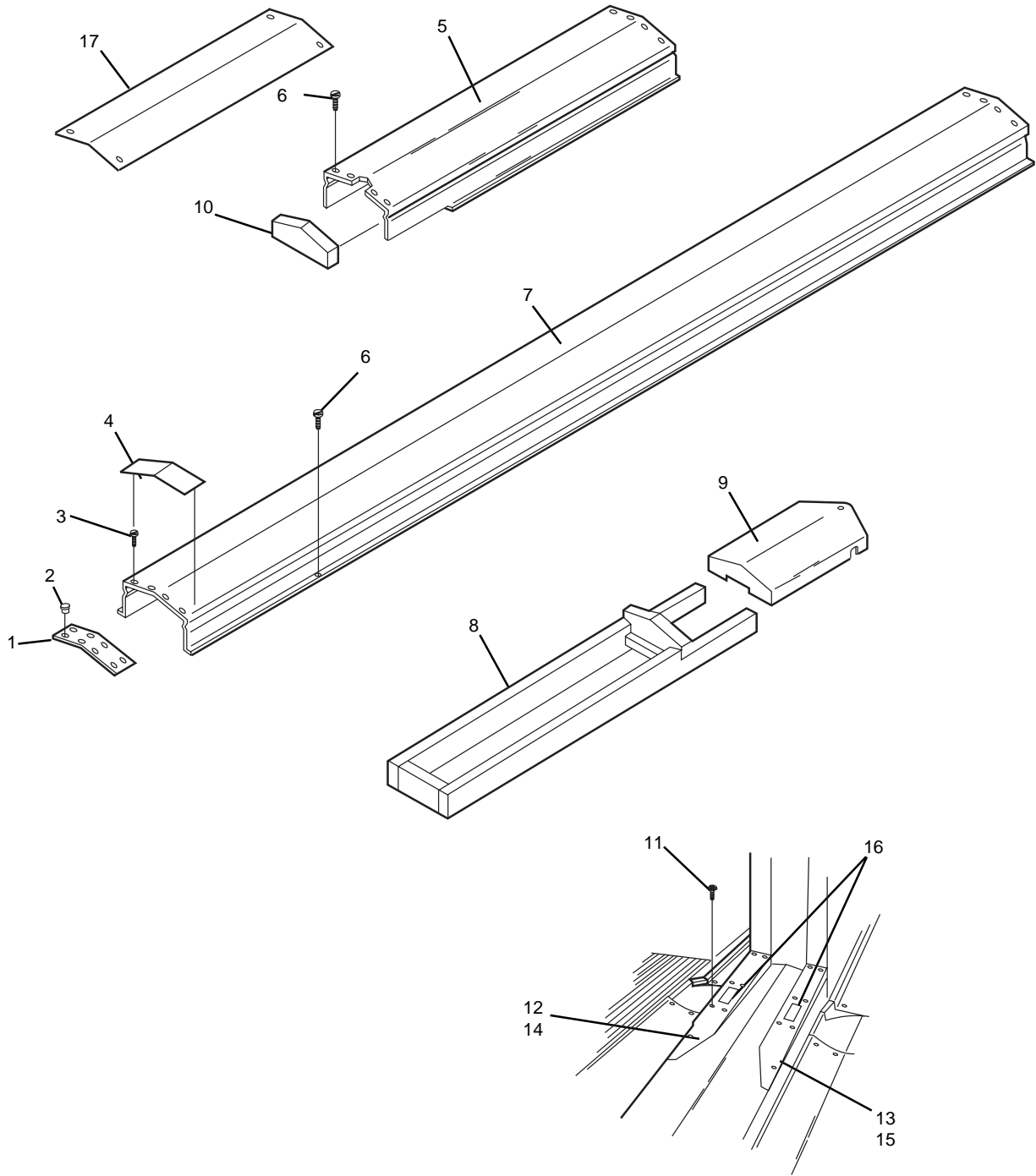
**Section D**

**CAPPING - UOS/VOS/PVC  
& GUTTERS - ABS/PVC**

<b>Index No.</b>	<b>Part No.</b>	<b>Description</b>
1.	84-200108-002	Return Capping Coupler
2.	52-100207-000	Grommet Nut
3.	11-086365-003	C.R. Flat Hd. Tapping Screw (#8-18 x 3/4")
4.	84-200124-000	Brown Vinyl Tape (2" x 17")
	53-400239-200	Reno Blue Polyester Tape
5.	N.A.	V.O.S. Return Capping w/Hardware (10-1/2") (Dark Grey)
	N.A.	U.O.S. Return Capping (10-1/2") (Dark Grey)
6.	N.A.	C.R. Flat Hd. Wood Screw (#8-15 x 3/4")
7.	N.A.	V.O.S. Return Capping (10-1/2") (Brown)
	N.A.	U.O.S. Return Capping (10-1/2") (Brown)
8.	N.A.	Return Tel-E-Foul Mount
9.	N.A.	Cover w/Lens ("2000" Brown)
10.	N.A.	Return Mount
11.	N.A.	Flat Hd. Self Tapping Screw (#10 x 2-1/4")
12.	N.A.	Return Capping Nose Block - L.H. (GS-10 Pinsetter Only)
13.	N.A.	Return Capping Nose Block - R.H. (GS-10 Pinsetter Only)
14.	N.A.	Return Capping Nose Block and Label Assembly -L.H. (GS-92 Pinsetter Only)
	84-200181-200	Return Capping Nose Block - L.H. (Reno Blue)
15.	84-200182-000	Return Capping Nose Block and Label Assembly - R.H. (GS-92 Pinsetter Only)
	N.A.	Return Capping Nose Block - R.H. (Reno Blue)
16.	N.A.	"Danger" Label Only
17.	17-860784-000	Return Capping Cover - brown
	17-860786-000	Return Capping Cover - grey

N.A. = No Longer Available

## **New Style V.O.S./U.O.S. Subway Return Capping**



FOR GS-10 PINSETTERS ONLY

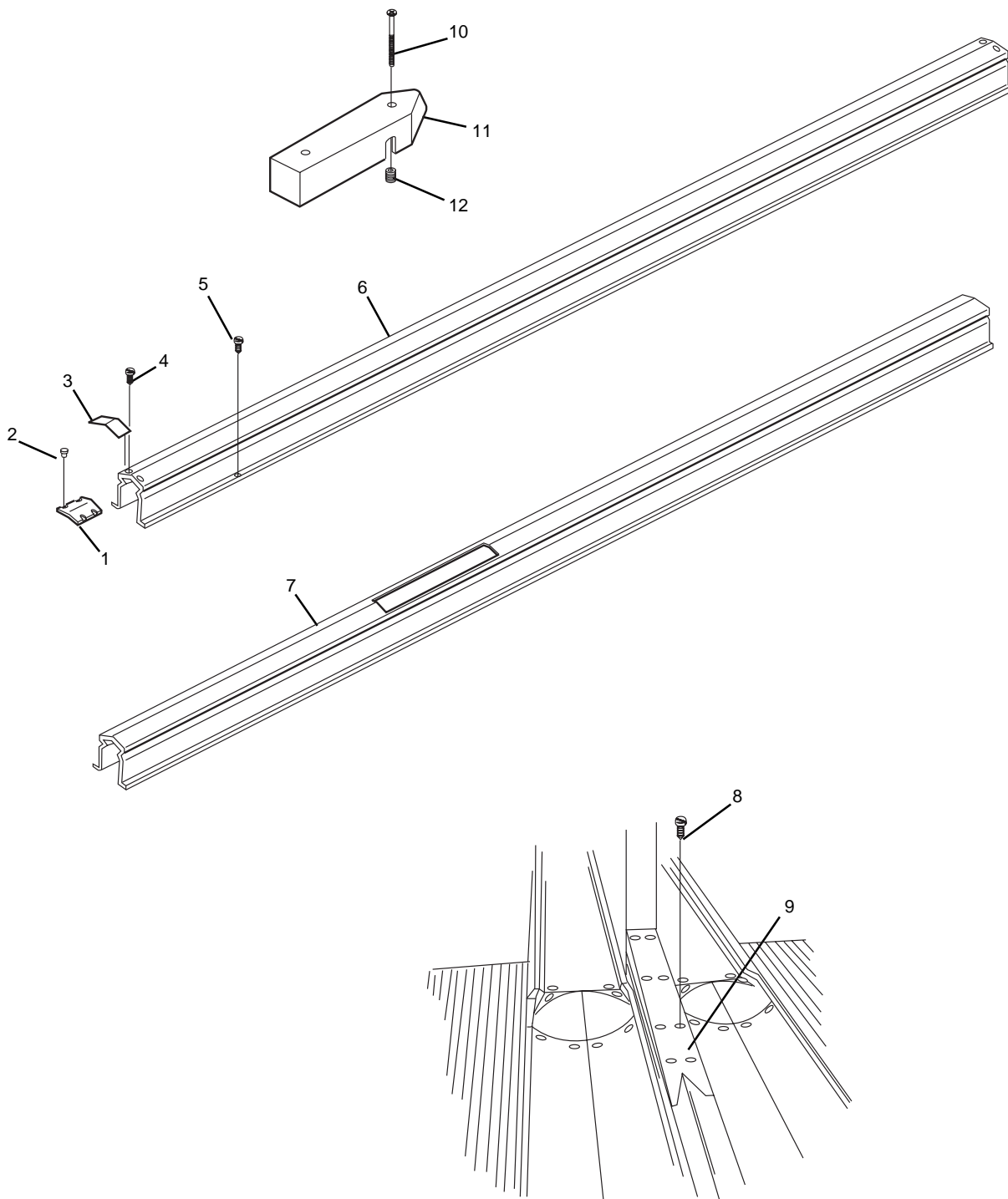
**New Style V.O.S./U.O.S. Subway Return Capping**

**Index**

<b>No.</b>	<b>Part No.</b>	<b>Description</b>
1.	N.A.	Division Capping Coupler
2.	52-100207-000	Grommet
3.	84-200125-000	White Vinyl Tape (2" x 9")
4.	N.A.	C.R. Flat Hd. Tapping Screw (#8-18 x 3/4")
5.	N.A.	C.R. Flat Hd. Wood Screw (#8-15 x 3/4")
6.	N.A.	V.O.S. Division Capping (120") (White)
	84-860472-000	U.O.S. Division Capping (120") (White) - Pkg. of 6
7.	N.A.	V.O.S. Division Capping with Notch
	53-400244-000	Division Capping with Notch (Light Grey)
	N.A.	U.O.S. Division Capping with Notch (Light Grey)
8.	N.A.	Flat Hd. Self Tapping Screw (#10 x 2-1/4")
9.	84-200095-000	Division Capping Nose Block (GS-10 Pinsetter Only)
	N.A.	Division Capping Nose Block (Light Grey)
	N.A.	Division Capping Nose Block (Reno Blue)
10.	11-026300-004	C.R. Oval Hd. Screw (1/4-20 x 3-1/2")
11.	53-600163-000	Cover Division Tel-E-Foul
12.	11-095008-000	Tap Lock Insert

N.A. = No Longer Available

**New Style V.O.S./U.O.S. Division Capping**



FOR GS-10 PINSETTERS ONLY

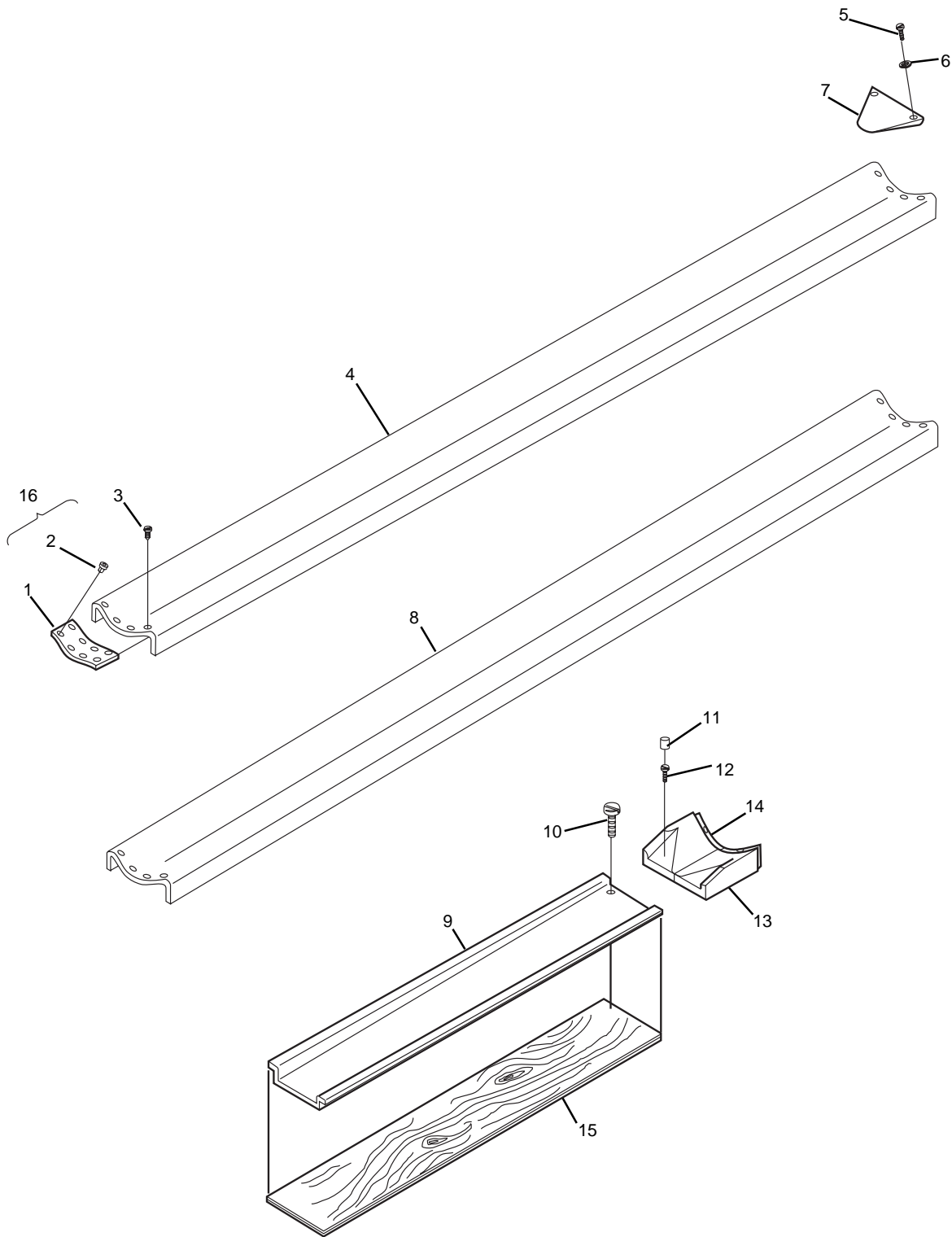
### New Style V.O.S./U.O.S. Division Capping

**Index**

<b>No.</b>	<b>Part No.</b>	<b>Description</b>
1.	N.A.	Gutter Coupler (w/o Grommets)
2.	52-100207-000	Grommet
3.	11-086365-003	C.R. Flat Hd. Tapping Screw (#8-18 x 3/4")
4.	N.A.	U.O.S. Gutter (120") (Brown)
	N.A.	V.O.S. Gutter (120") (Brown)
5.	11-086367-001	C. R. Flat Hd. Tapping Screw (#8 x 1")
6.	11-199503-003	Countersunk Lockwasher
7.	84-200118-000	Header Block Rubber
8.	84-300099-004	U.O.S. Gutter (Notched) (Grey)
	N.A.	V.O.S. Gutter (Lt. Grey)
9.	84-860504-000	Poly Propylene, Flat Gutter, 1"
10.	11-084613-001	C.R. Flat Hd. Tapping Screw (#14 x 2-1/2")
11.	52-100203-000	Maple Dowel (1/2" x 1" Dia.)
12.	N.A.	C.R. Flat Hd. Screw (#12 x 1-3/4")
13.	84-200117-002	Gutter Adapter Block - left side
14.	84-200117-003	Gutter Adapter Block - right side
15.	N.A.	Flat Gutter Mounting Board
16.	N.A.	Gutter Coupler Assy. (w/Grommets)

N.A. = No Longer Available

**New Style V.O.S./U.O.S. "V" Gutters  
And One Piece Flat Gutter**



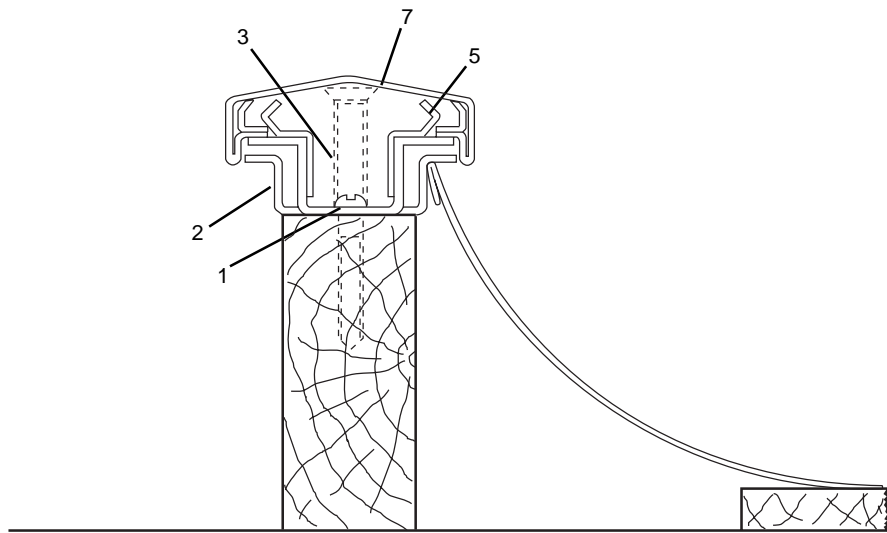
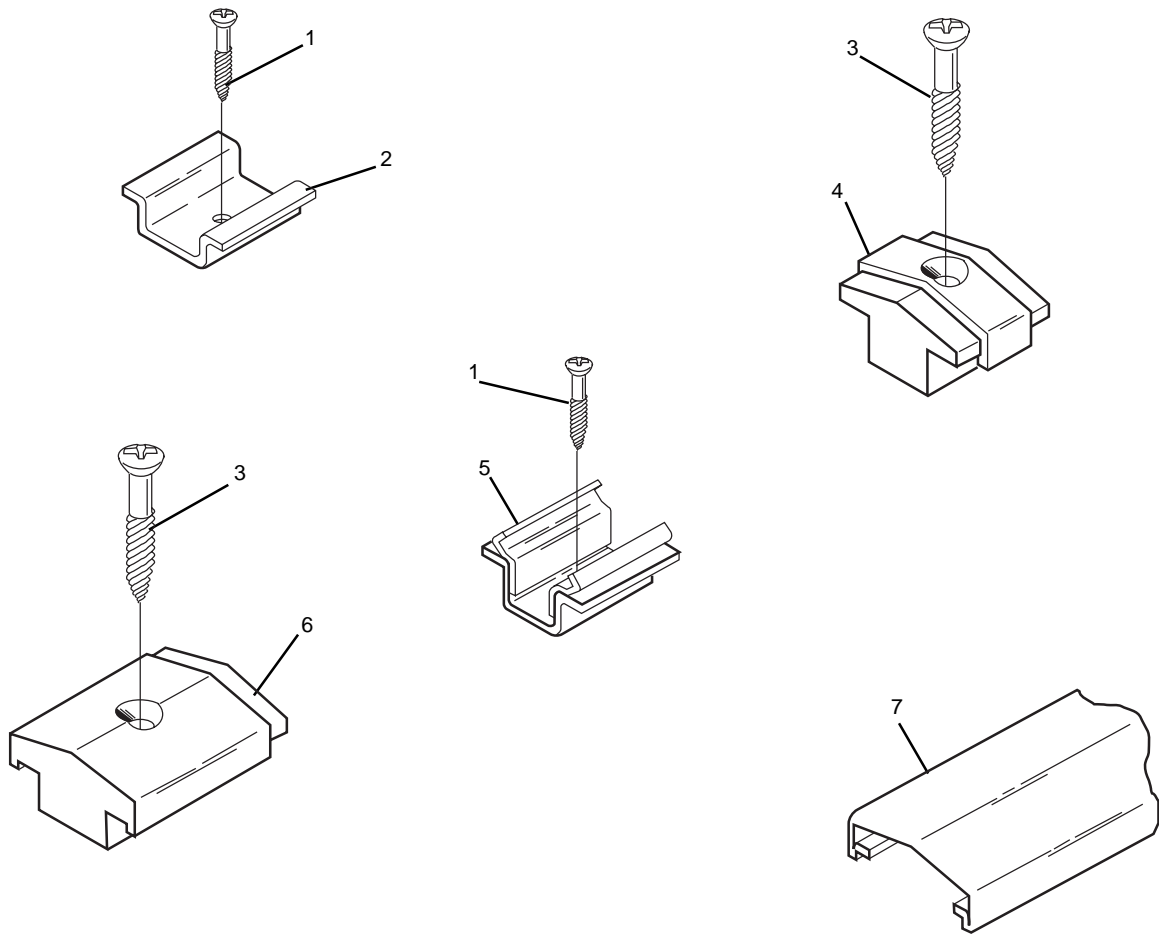
**New Style V.O.S./U.O.S. "V" Gutters  
And One Piece Flat Gutter**

**Index**

<b>No.</b>	<b>Part No.</b>	<b>Description</b>
1.	11-042607-001	Rd. Hd. Wood Screw (#14 x 1-1/4")
2.	53-520396-000	Gutter Support Bracket
3.	11-043164-002	Oval Hd. Wood Screw (#16 x 3")
4.	53-520394-000	Inline Coupling
5.	53-520397-000	Hold Down Bracket
6.	53-520394-002	End Coupling
7.	N.A.	Division Capping (White)

N.A. = No Longer Available





**Old Style V.O.S. Division Capping**

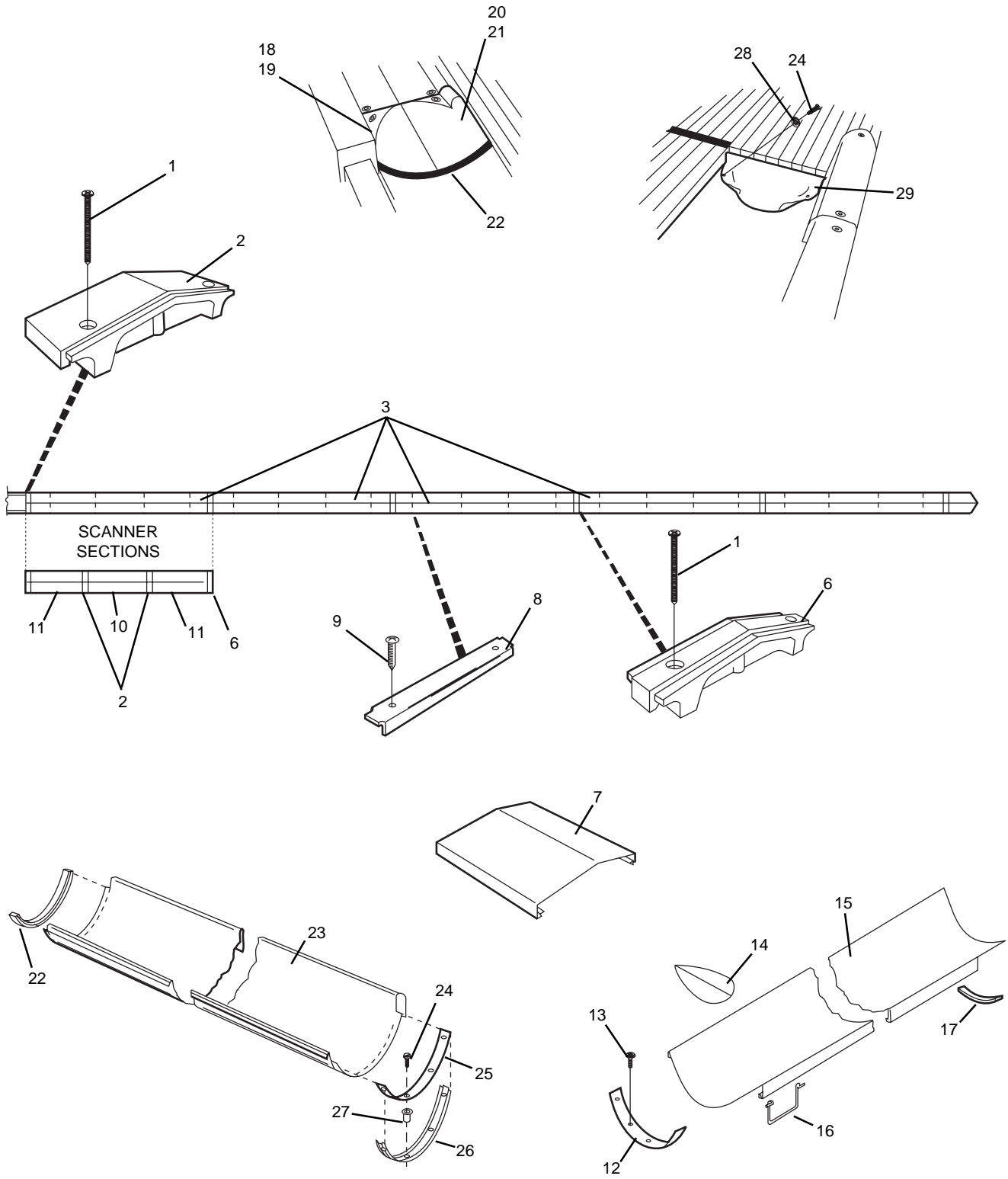
Index No.	Part No.	Description	Index No.	Part No.	Description
1.	11-043164-002	C. R. Oval Hd. Wood Screw (#16 x 3")	12.	N.A.	Gutter Adapter
2.	N.A.	End Coupling (10-1/2") - Gray	13.	N.A.	Countersunk Pop Rivet (1/8)
	53-520318-010	End Coupling (10-1/2") - Brown	14.	*N.A.	Header Block - Wood
	N.A.	End Coupling (9-1/2") - Gray	15.	N.A.	VOS Gutter (11'10") - Lap Joint Only
	N.A.	End Coupling (9-1/2") - Brown	16.	52-100061-000	Wire Hook
3.	N.A.	Intermediate (10-1/2") - Gray	17.	52-100064-000	Rubber Shim
	N.A.	Intermediate (10-1/2") - Brown			
	N.A.	Intermediate (9-1/2") - Gray			
	N.A.	Intermediate (9-1/2") - Brown			
4.	N.A.	Approach (10-1/2") - Gray			
	N.A.	Approach (10-1/2") - Brown	18.	N.A.	R.H. Outside - Charcoal Gray
	N.A.	Approach (9-1/2") - Gray		52-100020-600	R.H. Outside - "2000" Brown
	N.A.	Approach (9-1/2") - Brown	19.	N.A.	L.H. Outside - Charcoal Gray
5.	N.A.	Cover Assembly - Gray		52-100021-600	L.H. Outside - "2000" Brown
	N.A.	Cover Assembly - Brown	20.	N.A.	R.H. Inside - Charcoal Gray
6.	N.A.	Inline Coupling (10-1/2") - Gray		N.A.	R.H. Inside - "2000" Brown
	53-520317-010	Inline Coupling (10-1/2") - Brown	21.	N.A.	L.H. Inside - Charcoal Gray
	N.A.	Inline Coupling (9-1/2") - Gray		N.A.	L.H. Inside - "2000" Brown
	53-520357-010	Inline Coupling (9-1/2") - Brown	22.	52-100073-000	Gutter Trim
7.	N.A.	Skin Adapter (10-1/2") - Gray	23.	N.A.	VOS Gutter (11'9") - Charcoal Gray
	N.A.	Skin Adapter (10-1/2") - Brown		N.A.	VOS Gutter (11'9") - "2000" Brown
	N.A.	Skin Adapter (9-1/2") - Gray	24.	11-086365-003	Self Tapping C.R. Flat Hd. Screw (#8 x 3/4")
	N.A.	Skin Adapter (9-1/2") - Brown	25.	N.A.	Inside Gutter Coupler - Charcoal Gray
8.	53-520313-000	Gutter Strap (10-1/2")		52-100067-010	Inside Gutter Coupler - "2000" Brown
	53-520346-000	Gutter Strap (9-1/2")			
9.	11-082604-001	Self Tapping C.R. Pan Hd. Screw (1/4 x 1-3/4")	26.	52-100068-000	Outside Gutter Coupler
10.	N.A.	Scanner w/Holes (10-1/2") - Gray	27.	52-100207-000	Grommet Nut
	N.A.	Scanner w/Holes (10-1/2") - Brown	28.	11-199503-003	Countersunk Lockwasher (#8)
	N.A.	Scanner w/Holes (9-1/2") - Gray	29.	52-100074-000	Rubber Header Block
	N.A.	Scanner w/Holes (9-1/2") - Brown	30.	11-676027-000	Cement (Pint) - Not Shown
11.	N.A.	Scanner w/o Holes (10-1/2") - Gray	31.	**N.A.	VOS Modification Kit
	N.A.	Scanner w/o Holes (10-1/2") - Brown	32.	11-676047-000	Cement (Gallon) - Not Shown
	N.A.	Scanner w/o Holes (9-1/2") - Gray	33.	N.A.	#13 x 3/4" Nail (Lb.) - Not Shown
	N.A.	Scanner w/o Holes (9-1/2") - Brown			

N.A. = No Longer Available

\* 52-100074-000 (Index No. 29) Rubber Header Block must be used in place of the wood style block. Use 2 each 11-086365-003 Screws and 2 each 11-199503-003 Countersunk Lockwashers to secure Rubber Block to VOS Gutter. Use the Block as a template to locate and drill two .128" diameter holes in gutter.

\*\* To replace Model "A" Wood Kickback with Armor Frame Kickback, part no. 12-862364-000 must be ordered.

## V.O.S. Round Gutters & Subway Return VOS Capping



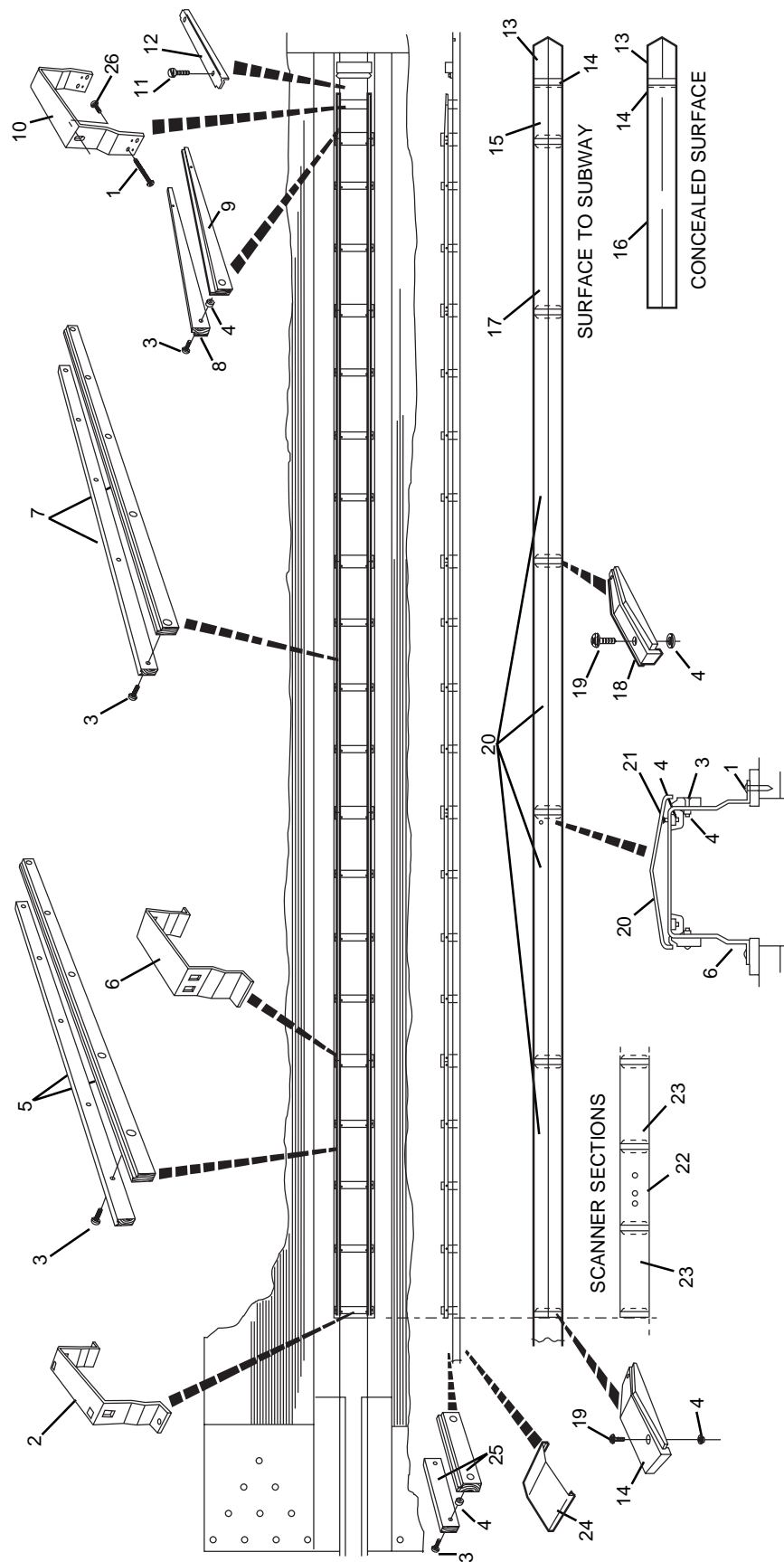
**V.O.S. Round Gutters &  
Subway Return VOS Capping**

Index No.	Part No.	Description	Index No.	Part No.	Description
1.	11-042607-001	C. R. Rd. Hd. Wood Screw (#14 x 1-1/4")	16.	N.A.	Approach Capping - Gray (10-1/2")
2.	53-520364-000	Intermediate Support Bracket (10-1/2")		N.A.	Approach Capping - Brown (10-1/2")
	53-520349-000	Intermediate Support Bracket (9-1/2")	17.	N.A.	Approach Capping - Gray (9-1/2")
3.	11-014152-002	C.R. Flat Hd. Machine Screw (1/4-20 x 1-1/4")		N.A.	Approach Capping - Brown (9-1/2")
4.	11-179026-000	Grip Nut (1/4-20)		N.A.	Intermediate (85") - Gray (10-1/2")
5.	N.A.	Side Rail (134") - Gray (10-1/2")	18.	N.A.	Intermediate (85") - Brown (10-1/2")
	N.A.	Side Rail (134") - Brown (10-1/2")		53-520370-010	Intermediate (85") - Gray (9-1/2")
	N.A.	Side Rail (134") - Gray (9-1/2")		N.A.	Intermediate (85") - Brown (9-1/2")
	N.A.	Side Rail (134") - Brown (9-1/2")	19.	53-520357-010	Intermediate (85") - Brown (9-1/2")
6.	N.A.	Coupling Support Bracket (10-1/2")		11-026289-011	Inline Coupling - Gray (10-1/2")
	N.A.	Coupling Support Bracket (9-1/2")	20.	N.A.	Inline Coupling - Brown (10-1/2")
7.	N.A.	Side Rail (129") - Gray (10-1/2")		N.A.	Inline Coupling - Gray (9-1/2")
	N.A.	Side Rail (129") - Brown (10-1/2")		53-520357-010	Inline Coupling - Brown (9-1/2")
	N.A.	Side Rail (129") - Gray (9-1/2")	21.	11-026289-011	C.R. Oval Hd. Machine Screw (1/4-20 x 1")
	N.A.	Side Rail (129") - Brown (9-1/2")		N.A.	Intermediate (128") - Gray (10-1/2")
8.	N.A.	Tapered Side Rail - Gray (10-1/2")		N.A.	Intermediate (128") - Brown (10-1/2")
	N.A.	Tapered Side Rail - Brown (10-1/2")	22.	N.A.	Intermediate (128") - Gray (9-1/2")
	N.A.	Tapered Side Rail - Gray (9-1/2")		N.A.	Intermediate (128") - Brown (9-1/2")
	N.A.	Tapered Side Rail - Brown (9-1/2")	23.	N.A.	C.R. Oval Hd. Machine Screw (1/4-20 x 1-1/4")
9.	N.A.	Tapered Side Rail - Gray (10-1/2")		N.A.	Scanner w/Holes - Gray (10-1/2")
	N.A.	Tapered Side Rail - Brown (10-1/2")		N.A.	Scanner w/Holes - Brown (10-1/2")
	N.A.	Tapered Side Rail - Gray (9-1/2")		N.A.	Scanner w/Holes - Gray (9-1/2")
	N.A.	Tapered Side Rail - Brown (9-1/2")	24.	N.A.	Scanner w/Holes - Brown (9-1/2")
10.	N.A.	Front Support Bracket (10-1/2")		N.A.	Scanner w/o Holes - Gray (10-1/2")
	N.A.	Front Support Bracket (9-1/2")		N.A.	Scanner w/o Holes - Brown (10-1/2")
11.	11-082604-001	Self Tapping C.R. Pan Hd. Screw (1/4 x 1-3/4")	25.	N.A.	Scanner w/o Holes - Gray (9-1/2")
12.	53-520313-000	Gutter Strap (10-1/2")		N.A.	Scanner w/o Holes - Brown (9-1/2")
	53-520346-000	Gutter Strap (9-1/2")	26.	11-082092-001	Skin Adapter - Gray (10-1/2")
13.	N.A.	Cover Assembly - Gray		N.A.	Skin Adapter - Brown (10-1/2")
	N.A.	Cover Assembly - Brown		N.A.	Skin Adapter - Gray (9-1/2")
14.	N.A.	End Coupling - Gray (10-1/2")		N.A.	Skin Adapter - Brown (9-1/2")
	N.A.	End Coupling - Brown (10-1/2")		N.A.	Side Rail (8-1/2") - Gray (10-1/2")
	N.A.	End Coupling - Gray (9-1/2")		N.A.	Side Rail (8-1/2") - Brown (10-1/2")
	N.A.	End Coupling - Brown (9-1/2")		N.A.	Side Rail (8-1/2") - Gray (9-1/2")
15.	N.A.	Approach Capping - Gray (10-1/2")		N.A.	Side Rail (8-1/2") - Brown (9-1/2")
	N.A.	Approach Capping - Brown (10-1/2")			Self Tapping C.R. Rd. Hd. Screw (#10 x 1/2")
	N.A.	Approach Capping - Gray (9-1/2")			
	N.A.	Approach Capping - Brown (9-1/2")			

N.A. = No Longer Available

*NOTE: Surface to subway capping is notched.*

## V.O.S./U.O.S. Capping For Surface To Subway & Concealed Surface



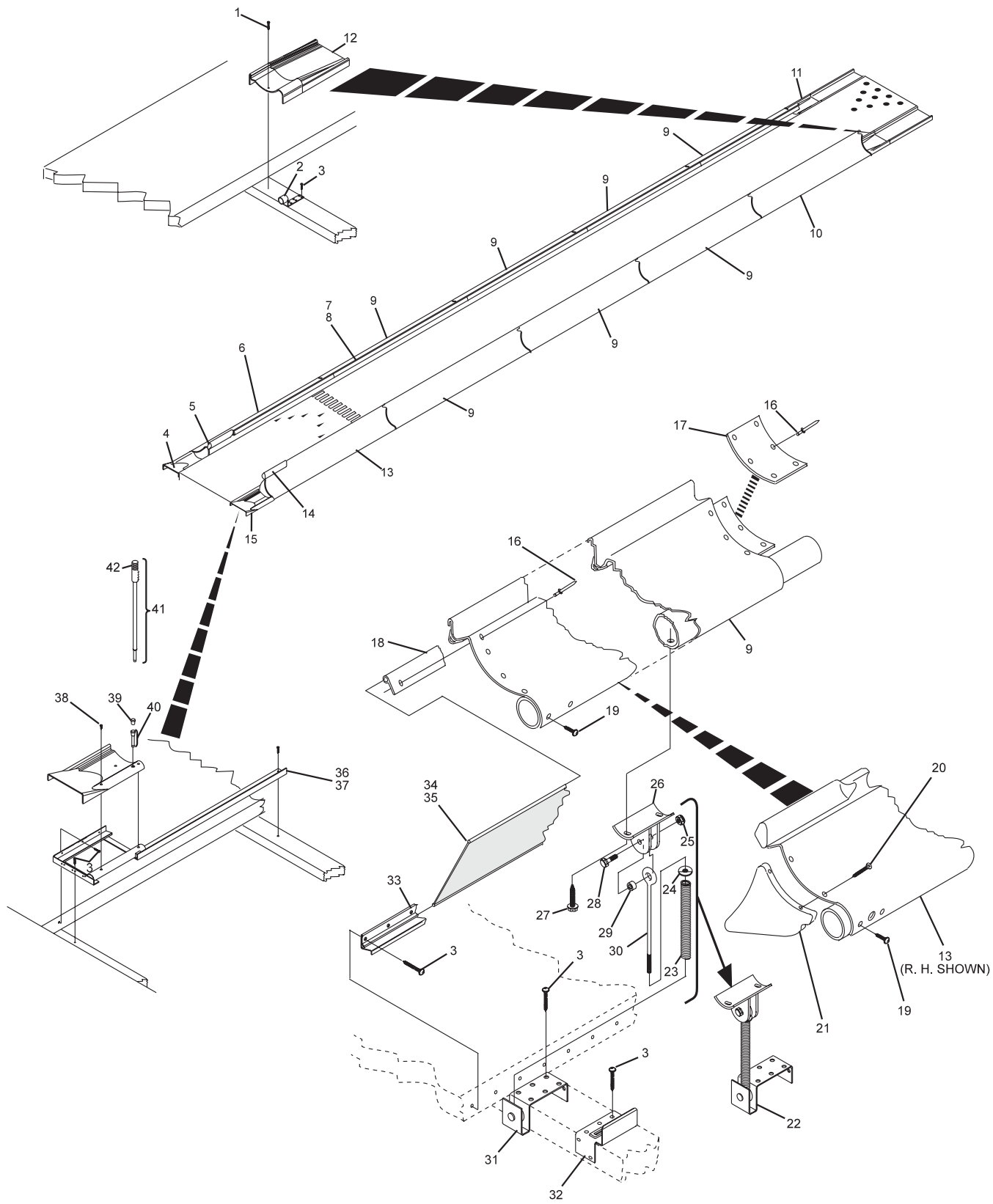
**V.O.S./U.O.S. Capping For Surface To Subway  
& Concealed Surface**

Index No.	Part No.	Description
1.	11-081202-000	Robertson Drive Screw #14 x 3-1/2"
2.	17-300141-000	End Pivot
3.	11-081205-000	AB Robertson Screw #10-32 x 1-3/4"
4.	17-300177-000	Header Section - Left Hand (black)
5.	17-300164-000	Corner Protector - Left Hand
6.	17-300154-000	#1 Left Hand Gutter Assembly
7.	11-676149-000	Glue - 100 Grams (for Bumper Extrusion)
8.	17-300179-020	Bumper Extrusion
9.	17-300155-000	Intermediate Gutter Assembly
10.	17-300157-000	Pit End Gutter Assembly, Right Hand
11.	17-300175-000	Transition - Left Hand
12.	17-300174-000	Transition - Right Hand
13.	17-300156-000	#1 Right Hand Gutter Assembly
14.	17-300167-000	Corner Protector - Right Hand
15.	17-300176-000	Header Section - Right Hand (black)
16.	11-293513-000	Stainless Steel Rivets - Black (1/8" x 3/8")
17.	17-300132-000	Gutter Coupler
18.	17-300135-000	Curtain Extrusion
19.	11-081206-000	Truss Hd. Cutting Screw (#10 x 5/8")
20.	11-086369-001	F.H.C.R. Screw (#8-18 x 1-1/2")
21.	17-300181-000	Foul Line End Cap
22.	17-300150-000	Pivot Bracket Assembly
23.	N.A.	Spring
24.	11-190010-001	Plain Washer
25.	11-170007-001	Hex. Nut (#1/4" x 20)
26.	*N.A.	Lever
27.	11-010907-001	Self-Tapping HSMS (#14 x 3/4")
28.	11-001184-001	Hex. Hd. Screw (1/4"-20 x 1")
29.	17-300068-000	Spacer
30.	*N.A.	Spring Rod
31.	17-300126-000	Pivot Bracket with Pivot
32.	17-300122-001	Hinge Bracket
33.	17-300193-000	Gutter Support
34.	17-300076-000	Universal Graphic Curtain (for right or left) - Characters
	17-300076-002	Graphic Curtain Left - Rainbow
	17-300076-003	Graphic Curtain - Black
	17-300076-004	Blank White Curtain (No Graphic)
	17-300076-005	Graphic Curtain Right - Rainbow
35.	17-300182-000	Small Ball (4-3/4" Ball) Graphic Curtain - Black Only
36.	17-300186-000	Header Bracket Assembly - Right Hand
37.	17-300183-000	Header Bracket Assembly - Left Hand (Not Illustrated)
38.	11-014061-009	C.R. Screw (#8-32 x 5/16")
39.	17-300189-002	Grip
40.	17-300189-000	Pin Assembly
41.	17-300093-000	Rod Assembly
42.	17-300093-001	Rod Grip

N.A. = No Longer Available

\* Not Sold Individually - Order Item Number 22

## ABS Gutters/Ball Wall - Manual Configuration



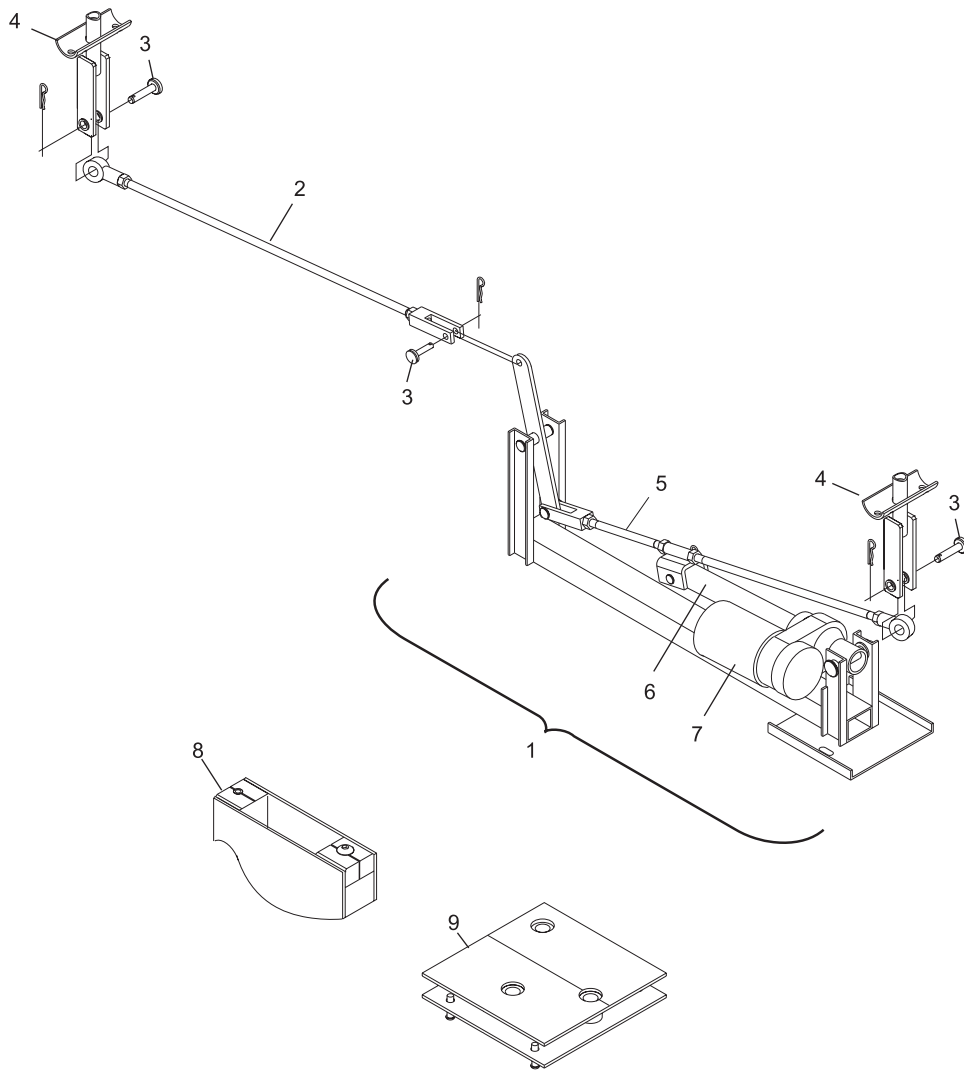
**ABS Gutters/Ball Wall - Manual Configuration**

**Index**

<b>No.</b>	<b>Part No.</b>	<b>Description</b>
1.	17-300224-115 17-300224-230	Actuator Assembly - 115 VAC includes items 5, 6, and 7 Actuator Assembly - 230 VAC includes items 5, 6, and 7
2.	17-300216-000	Connecting Link Assembly (left-hand)
3.	17-300245-000	Clevis Pin
4.	17-300264-000	Gutter Pivot Assembly
5.	17-300210-000	Connecting Link Assembly (right-hand)
6.	17-860780-000	Sleeve
7.	17-860781-115 17-860781-230	Motor - 115 VAC Motor -230 VAC
8.	*N.A.	Gutter Drill Jig
9.	*N.A.	Concrete Drill Jig

\* For one of each of items 8 and 9 order package 17-860797-000.





**ABS Gutters/Ball Wall - Automated Bumper System**

**Index**

No.	Part No.	Description
1.	84-200465-100	Cosmetic Cover (31.25")
2.	84-860689-xxx	Pkg. Rails Vertical Support and Hardware - Foul End
	*84-200452-xxx	Left-Hand Foul End Rail
	*84-200453-xxx	Right-Hand Foul End Rail
	*84-200451-xxx	Left-Hand & Right-Hand Common Rail
	*84-200478-xxx	Left-Hand Pinsetter End Rail
	*84-200479-xxx	Right-Hand Pinsetter End Rail
3.	84-200454-001	Vertical Support - Lexan (right side of lane)
	84-200454-002	Vertical Support - Lexan (left side of lane)
4.	84-860695-000	Vertical Support Kit - Metal (includes 28 Metal Supports, 30 Bushings, 30 Washers, 5 E-Clips)
5.	84-200487-000	Noise Reducing Bushing
6.	11-190509-001	Washer
7.	84-200457-000	Rail Coupler
8.	11-537050-000	E-Clip
9.	84-200458-003	Rail Coupler Pin (1-1/16" length)
10.	84-200542-000	Shaft Collar PBW I
	84-200582-000	Shaft Coupler PBW II
11.	84-200515-000	Cross Lane Link PBW I
	84-200584-000	Cross Lane Link PBW II
12a.	84-860645-001	Driven Pivot Assembly w/o Motor (right-hand side of even lane) PBW I
12b.	84-860645-002	Driven Pivot Assembly w/o Motor (left-hand side of odd lane) PBW I
12c.	84-200602-002	Driven Pivot Assembly w/o Motor (left-hand side of odd lane) PBWII
12d.	84-200602-001	Driven Pivot Assembly w/o Motor (right-hand side of even lane) PBW II
13.	84-200455-000	Rail Spring (non-automated bumper system only)
14.	12-150272-000	Spring
15.	84-200458-001	Rail Arm Pin (1-1/4" length)
16.	84-860650-115	Motor 115VAC PBW I
	84-860650-230	Motor 230VAC PBW I
17.	84-860648-000	Side Plate PBW I - for index numbers 37a, 37c, & 12b
	84-860649-000	Side Plate PBW I - for index numbers 37b, 37d, and 12a
18.	11-616020-000	Switch - SPDT Roller Lever PBW I
19.	84-860647-000	Actuator Arm (includes Flat Washer 11-191014-001 and Internal Tooth Star Washer 11-690560-000) PBW I
20.	84-200540-000	Crank PBW I
21.	84-200519-000	Turnbuckle Assembly PBW I
22.	84-860679-115	Motor 115VAC PBW II
	84-860679-230	Motor 230VAC PBW II
23.	84-200580-001	Side Plate PBW II - for index numbers 38a, 38c, & 12d
	84-200580-002	Side Plate PBW II - for index numbers 38b, 38d, & 12c
24.	11-616021-000	Switch - SPDT Pin Plunger PBW II
25.	11-012009-001	Pan Head C.R. Screw (#4-40 x 3/4") PBW II
26.	84-200588-001	Pivot Plate PBW II - for index numbers 38a & 38c, & 12d
	84-200588-002	Pivot Plate PBW II - for index numbers 38b & 38d, & 12c
27.	84-200583-000	Spur Gear PBW II
28.	11-530017-001	Retaining Ring PBWII
29.	11-010782-000	Hex Head Screw (1/4-20 x 1/2") PBW II
30.	11-421015-000	Flanged Bearing PBW II
31.	11-192570-000	Shim Washer PBW II
32.	84-860693-000	Actuator Arm Kit (includes Index Nos. 28, 35, and 36) PBW II
33.	11-050003-000	Woodruff Key PBW II
34.	12-150272-000	Spring PBWII
35.	N.A.	Actuator Arm w/Metal Bushing (order item number 32)
36.	N.A.	Actuator Arm - Plastic (order item number 32)
37a.	**84-860644-115	Drive Pivot Assembly with Motor - 115VAC PBW I
37b.	**84-860643-115	Drive Pivot Assembly with Motor - 115VAC PBW I
37c.	**84-860644-230	Drive Pivot Assembly with Motor - 230VAC PBW I
37d.	**84-860643-230	Drive Pivot Assembly with Motor - 230VAC PBW I
38a.	**84-200600-115	Drive Pivot Assembly with Motor - 115VAC PBW II
38b.	**84-200601-115	Drive Pivot Assembly with Motor - 115VAC PBW II
38c.	**84-200600-230	Drive Pivot Assembly with Motor - 230VAC PBW II
38d.	**84-200601-230	Drive Pivot Assembly with Motor - 230VAC PBW II
39.	84-200462-000	Gutter Coupler

\* Color Chart

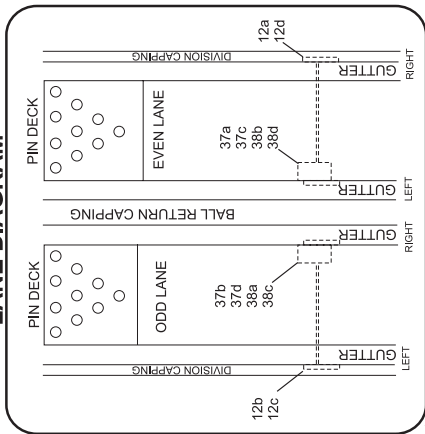
Part No.	Gutter Color
-000	BLACK
-100	GREY
-101	BROWN
-102	BLUE

\*\* See Lane Diagram on page 19D.

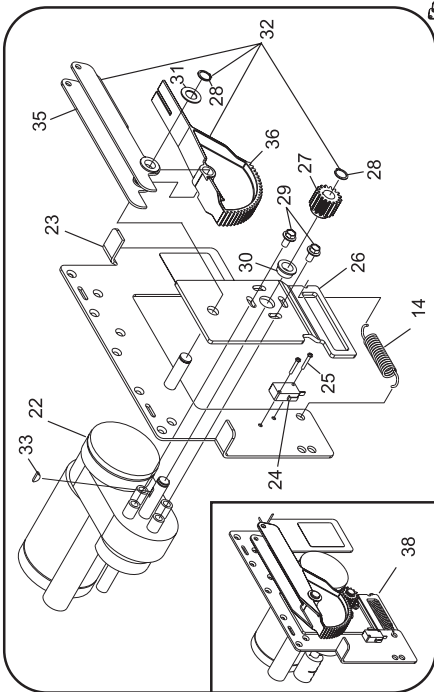
**Pinball Wizard Gutters -  
Automated Bumpers System**

# Pinball Wizard Gutters - Automated Bumpers System

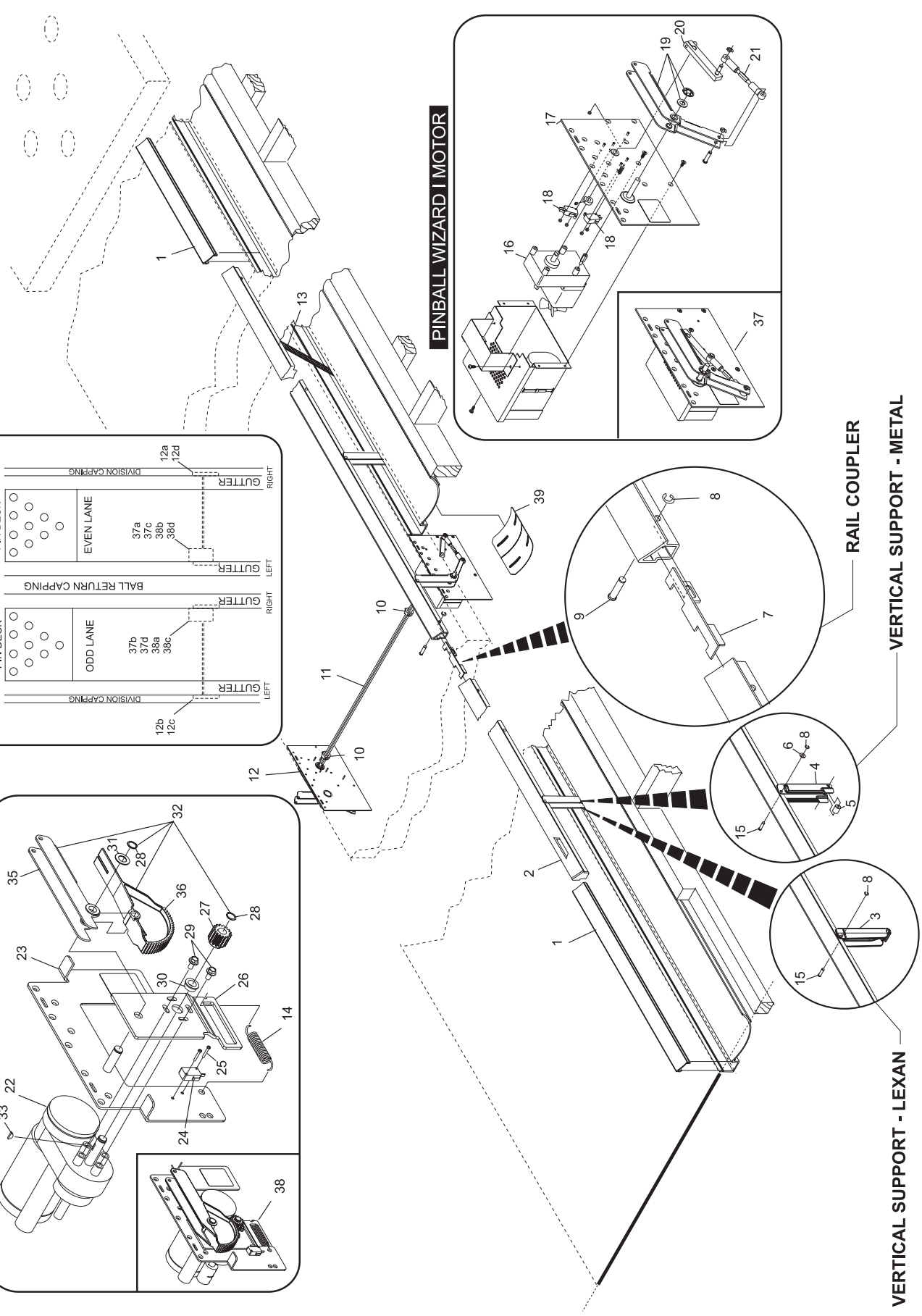
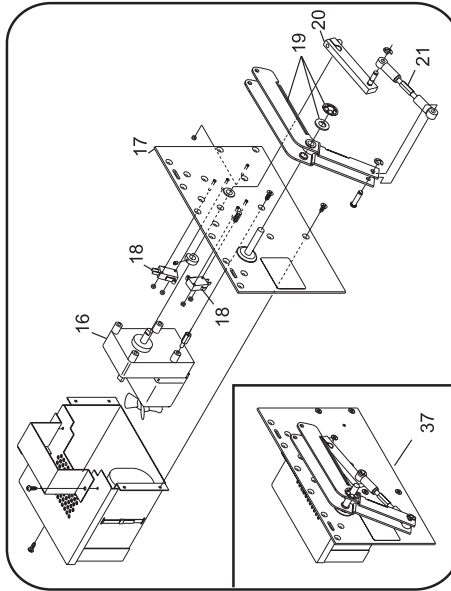
**LANE DIAGRAM**



**PINBALL WIZARD II MOTOR**



**PINBALL WIZARD I MOTOR**



**RAIL COUPLER**

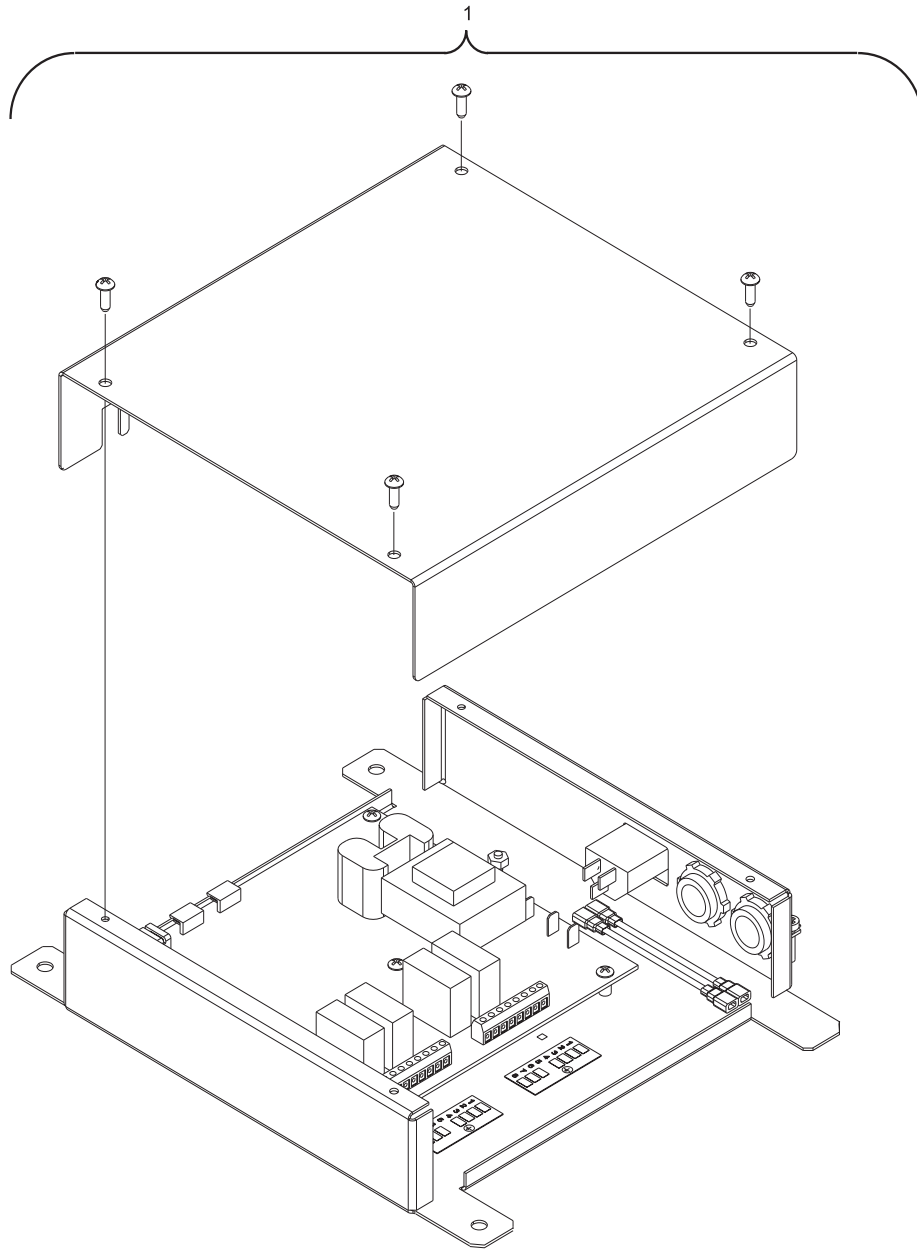
**VERTICAL SUPPORT - METAL**

**VERTICAL SUPPORT - LEXAN**

**Index**

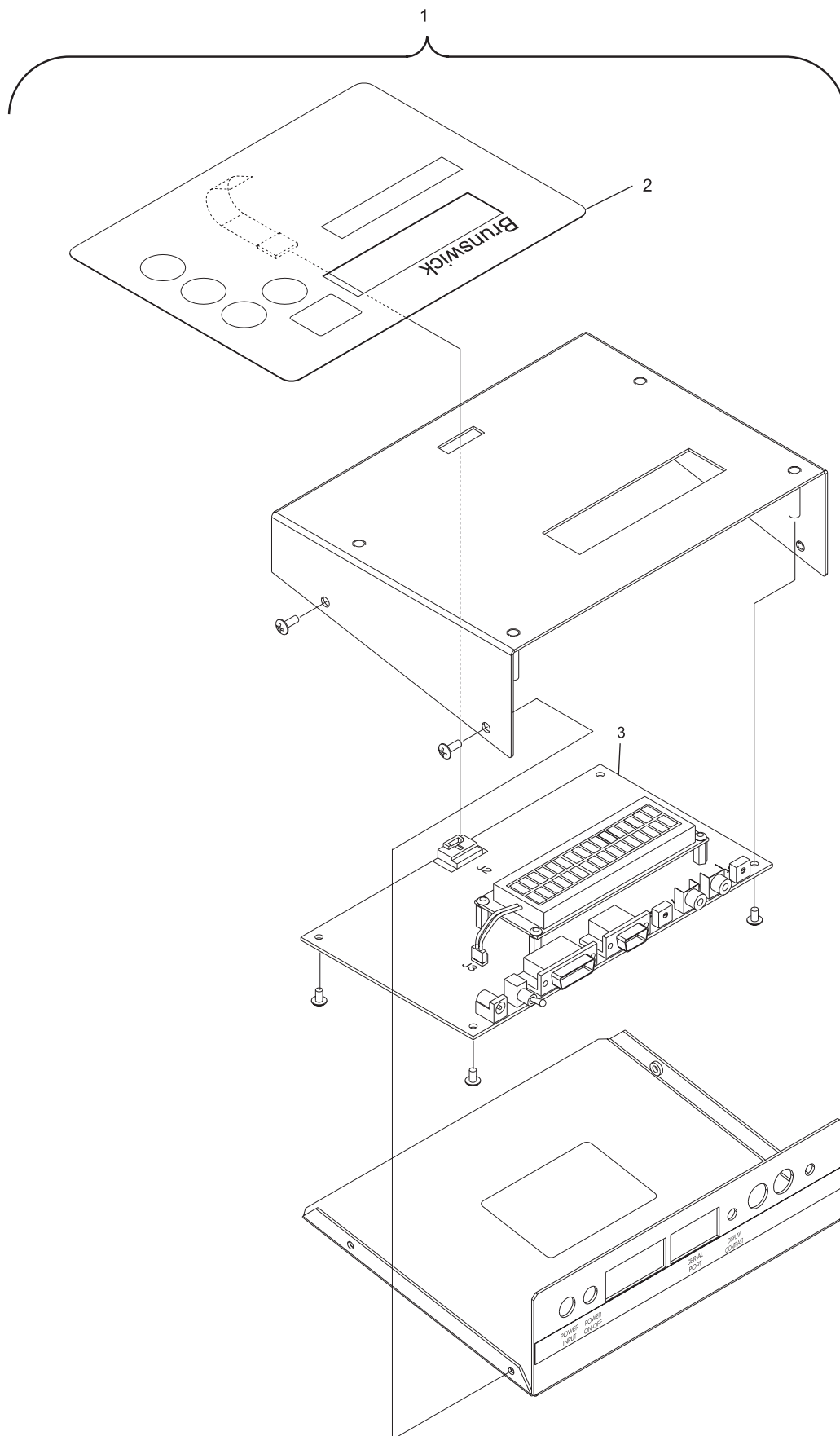
<b>No.</b>	<b>Part No.</b>	<b>Description</b>
1.	17-860783-402	Automated Bumper Controller
2.	*57-861638-000	Fuses - 1.6 Amp, 250V SLOW Blow - Package of 4 - (115VAC only)
	*57-861619-000	Fuses - .8 Amp, 250V Slow Blow Package of 4 - (230VAC only)

\* Not Illustrated



**Automated Bumper Controller PCB  
(BallWall/Pinball Wizard)**

<b>Index No.</b>	<b>Part No.</b>	<b>Description</b>
1.	17-860794-400	Front Desk Controller Assembly
2.	17-300238-000	Keypad Only
3.	84-860613-400	Front Desk Controller PCB

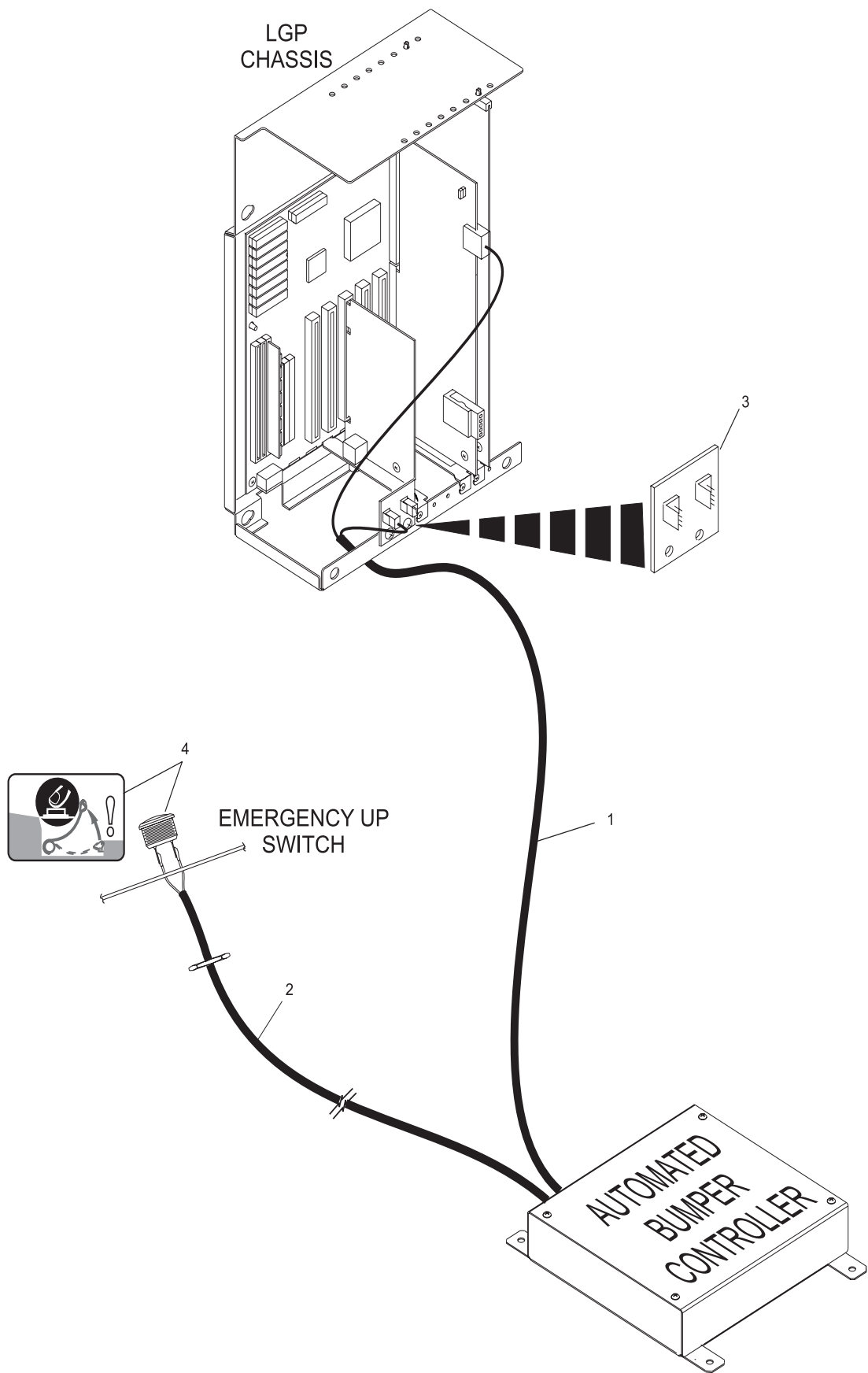


**Front Desk Controller PCB  
(BallWall/Pinball Wizard)**

<b>Index No.</b>	<b>Part No.</b>	<b>Description</b>
1.	17-860788-000	Automated Bumper Lane Cable Assembly (Powerworx, Touchworx, and Teamworx scorers)
2.	17-860799-000	Emergency Up Switch Cable Assembly - includes Switch and Decal
3.	17-860787-000	LLAN Breakout PCB
4.	11-615521-000	Push Button Switch only

**NOTE:** Components identical for both BallWall and Pinball Wizard systems.

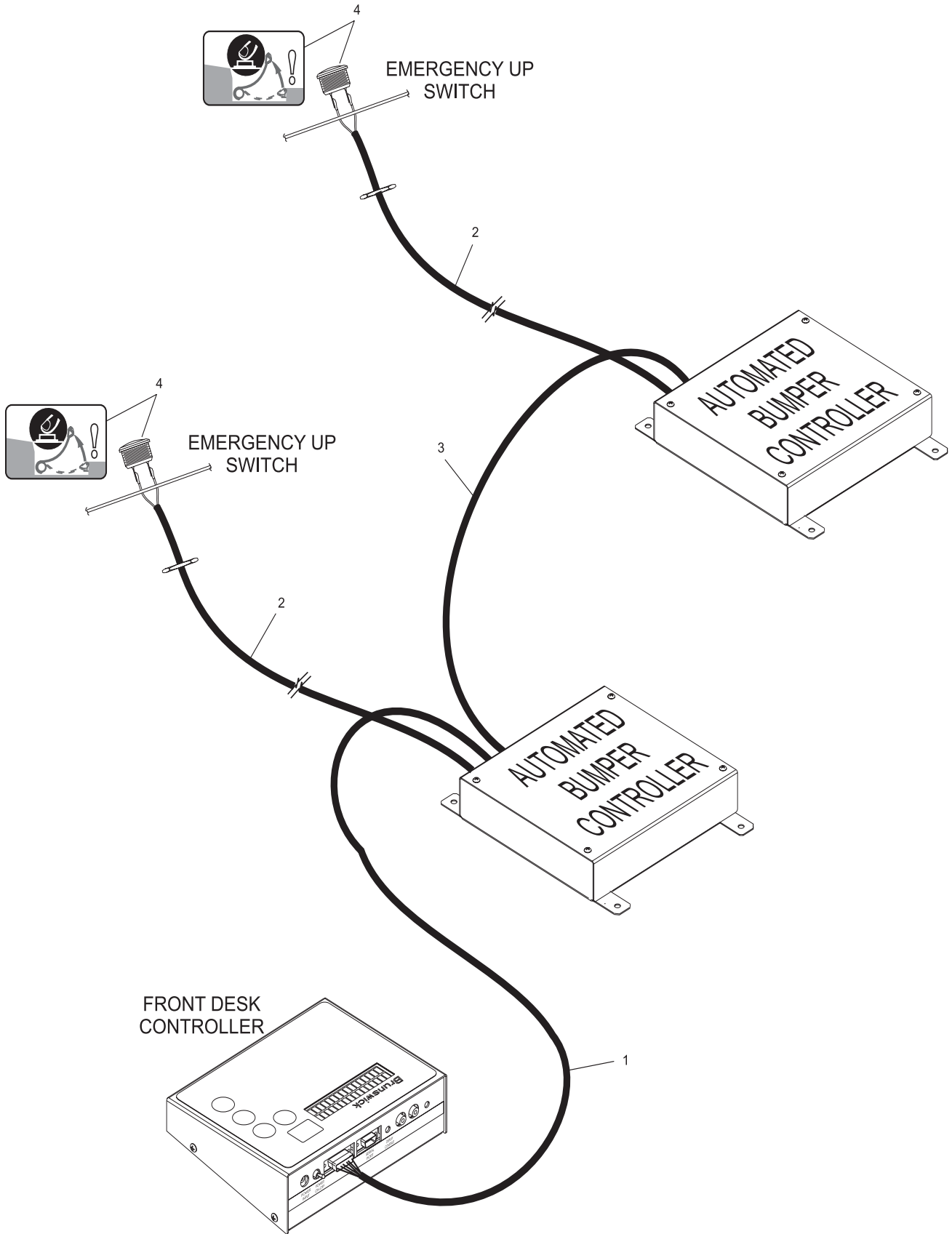




**Automated Bumper System Cables and LLAN Breakout PCB  
with Frameworx Scorers**

<b>Index No.</b>	<b>Part No.</b>	<b>Description</b>
1.	17-860791-000	Front Desk Controller to Controller Cable Assembly
2.	17-860799-000	Emergency Up Switch Cable Assembly - includes Switch and Decal
3.	17-860790-000	Automated Bumper Controller to Automated Bumper Controller (Daisy Chain) Cable Assembly
4.	11-615521-000	Push Button Switch only

**NOTE:** Components identical for both BallWall and Pinball Wizard systems.



**Automated Bumper System Cables  
Stand - Alone Configuration**

**Index**

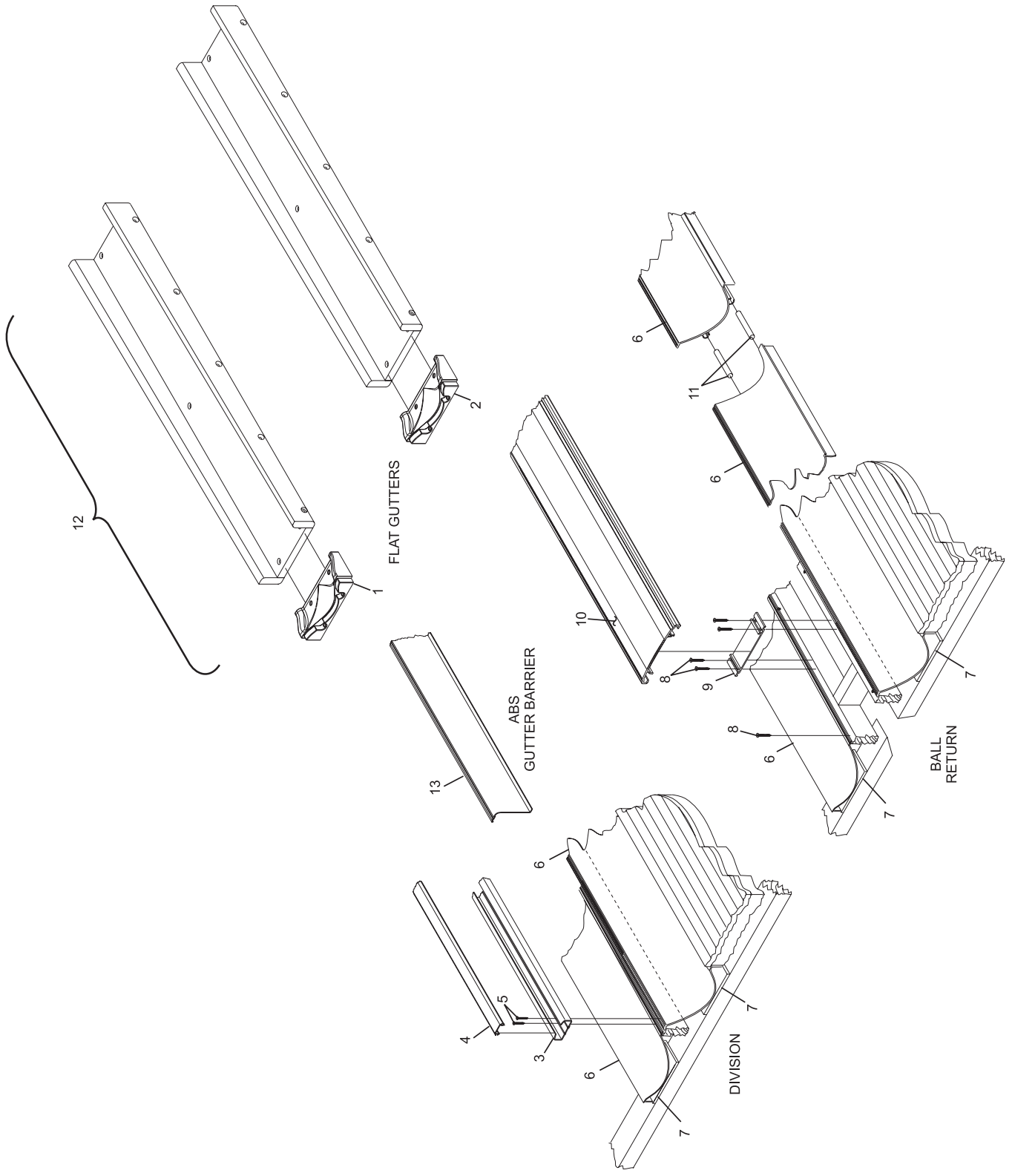
<b>No.</b>	<b>Part No.</b>	<b>Description</b>
1.	84-200117-002	Adapter Block left-hand
2.	84-200117-003	Adapter Block right-hand
3.	84-200241-000	Division Capping - grey
4.	*84-200242-XXX	Color Strip (Division Capping) - see Frameworkx color chart below
5.	11-086487-000	Hole Cutting Screw (#8 x 1-1/4")
6.	84-200245-XXX	Gutter Section - see gutter color chart below
7.	84-200258-000	Shim(1/4 x 3-1/2" x 2")
8.	11-081207-000	Robertson Flat Head Screw (#8-1-1/4")
9.	84-200244-000	Ball Return Capping Clip
10.	84-860552-000	Return Capping
11.	84-200250-000	Splice Tube
12.	84-860504-000	Heavy Duty Flat Gutter
13.	84-860564-000	Division Capping Barrier - ABS Gutters only

\* Package 84-860553-000 - contains grey lower division capping (item number 3) and color strip (item number 4) as selected - 1 each

Part No.	Division Capping Color Strips
-220	BLUEBERRY
-221	KIWI
-222	CRANBERRY
-223	GRAPE
-224	BANANA
-225	STRAWBERRY
-301	CLEAR

Part No.	Gutter Color
-000	BLACK
-100	GREY
-101	BROWN
-102	BLUE

**Frameworkx PVC Gutters and Capping**



**Framework PVC Gutters and Capping**

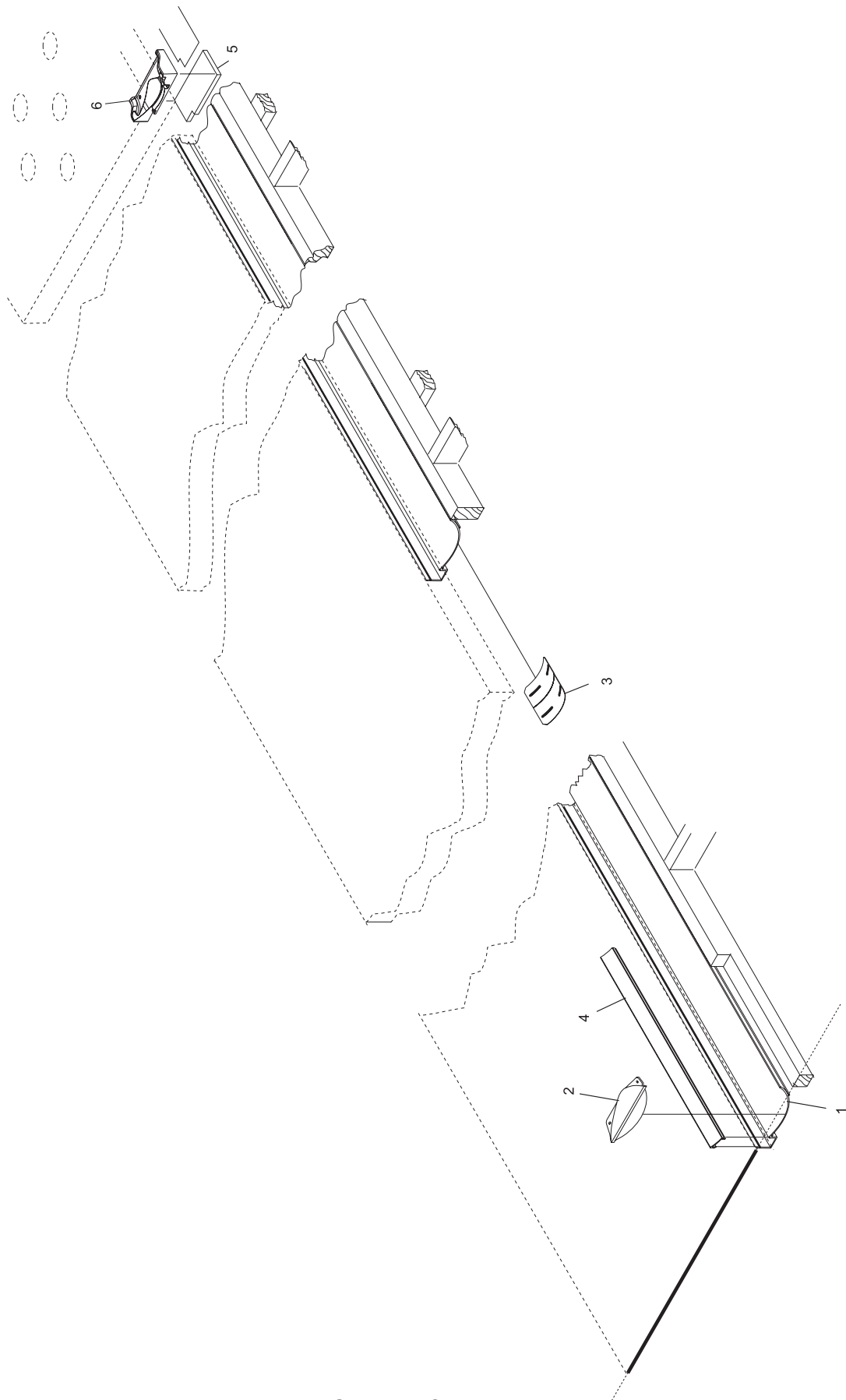
**Index**

<b>No.</b>	<b>Part No.</b>	<b>Description</b>
1.	*84-200461-xxx *84-860620-xxx	Pinball Wizard Gutter - Stand-Alone Package of 8 Gutters
2.	52-100074-000	Header Block
3.	84-200462-000	Gutter Coupler
4.	*84-860622-xxx	Pkg. Cover (118")
5.	84-200556-000	Flat Gutter Spacer
6.	84-200456-001 84-200456-002	Adapter Block - Gutter (right-hand) Adapter Block - Gutter (leftt-hand)

\* Last three numbers (-xxx) designate color as listed in chart below.

Part No.	Gutter Color
-000	BLACK
-100	GREY
-101	BROWN
-102	BLUE

**Pinball Wizard Gutters - Stand Alone**



**Pinball Wizard Gutters - Stand Alone**