



Service Parts Catalog

Bowling

September 2014 / 28-201739-000

Brunswick 
CUSTOMER SERVICE
A tradition in excellence.

Bowling Service Parts Catalog

© September 2014 by the Brunswick Bowling and Billiards Corporation. All rights reserved.

Reorder Part Number 28-201739-000

Confidential proprietary information. All information contained in this document is subject to change without notice. Do not reproduce or disclose without the written consent of the Brunswick Indoor Recreation Group.

Brunswick Bowling and Billiards
525 West Laketon Avenue
P.O. Box 329
Muskegon, MI 49443-0329
U.S.A.

231.725.3300

Introduction

About This Catalog

The Brunswick Bowling Service Parts Catalog contains service parts information for several different product lines of Brunswick bowling equipment.

Synthetic Lanes & Pin Decks

This section contains replacement parts and supplies for synthetic lanes and associated pin decks.

Wood Lanes & Wood Gutters

This section contains replacement parts and supplies for wood lanes and wood gutters.

Kickbacks

This section contains replacement parts and associated hardware for kickback units.

UOS/VOS/ABS Capping & Gutters

This section contains replacement parts for urethane-on-steel (UOS), vinyl-on-steel (VOS) and acrylic butyl styrene (ABS) return and division capping and associated gutter components. Also, the ABS gutter (Ball Wall) replacement parts and associated hardware items are listed.

Furniture

This section contains seating and table equipment used in the bowling center.

Tel-E-Score

This section contains replacement parts for Tel-E-Score units.

Tel-E-Foul

This section contains replacement parts for Tel-E-Foul units.

Masking Units

This section contains masking unit panels, upper and lower supports and associate hardware items for B-2000, Action Set, Frameworx and Lanescape masking units.

Return Track & Dropsweeps

This section contains replacement parts for return track and dropsweeps.

Ball Racks

This section contains replacement parts for the various models of ball racks.

Power Lift Hoods

This section contains replacement parts for the various models of power lift hoods.

Power Lifts

This section contains replacement parts for the various models of power lifts.

Lustre Kleen

This section contains replacement parts and supplies for the Lustre Kleen ball conditioner.

Lustre King

This section contains replacement parts and supplies for the Lustre King ball conditioner.

Miscellaneous

This section contains various items that are not listed by a specific area within a bowling center.

Select Only Genuine *Brunswick Replacement Parts* for Brunswick Equipment

You purchased the best when you bought Brunswick equipment. Insist on the best in replacement parts. Buy Genuine Brunswick Replacement Parts to keep your equipment in top-notch working order.

Here's why you should insist on Brunswick Replacement Parts for your Brunswick equipment:

- Only Brunswick replacement parts are guaranteed to be the same top quality, heavy-duty parts that go into the world's finest equipment by Brunswick.
- Rigid quality control assures maximum protection against part defect or failure.
- Full-time testing of all equipment and continual updating of parts provides the proprietor with the latest improvements.
- Each improved part is designed to be interchangeable with the part it is replacing.
- Efficient cost methods of production and design reduce the cost of parts. This assures you the lowest cost while maintaining the Brunswick standard of quality.

For prompt and dependable service,
contact your authorized *Brunswick Replacement Parts* distributor

WARRANTY

- Warranty coverage starts with date of purchase.
- The warranty coverage period is 90 days on materials.
- Repair or replacement parts is at the option of Brunswick.
- Call your authorized Brunswick Parts Distributor for parts warranty transaction process.

Contents

Section "A" SYNTHETIC LANES & PINDECKS

Amor Plate Lanes - Laminate Plugs & Patch Kits	2A
Old Style Pin Deck Assemblies For Lanes So Equipped.....	4A
Anvilane 7/16" Non-Textured "Plate Finish" GID	6A
Pro Lane GID.....	8A
Anvilane IQ 3/8" GID	10A

Section "B" WOOD LANES & WOOD GUTTERS

Lane & Pit End Material.....	2B
Wood Gutters Lane & Pit End Materials.....	4B

Section "C" KICKBACKS

Return & Division Kickback For GS-Series Pinsetters	2C
Armor Frame Kickback For A-2 Pinsetters On Truss Foundation.....	4C
Wood & Armor Frame Kickbacks For A-2 Pinsetters	6C

Section "D" CAPPING - UOS/VOS/PVC & Gutters - ABS/PVC

New Style V.O.S./O.U.S Subway Return Capping	2D
New Style V.O.S./U.O.S. Division Capping	4D
New Style V.O.S./U.O.S. "V" GuttersAnd One Piece Flat Gutter	6D
Old Style V.O.S. Division Capping.....	8D
V.O.S. Round Gutters & Subway Return VOS Capping.....	10D
V.O.S./U.O.S. Capping For Surface To Subway & Concealed Surface.....	12D
ABS Gutters/Ball Wall - Manual Configuration	14D
ABS Gutters/Ball Wall - Automated Bumper System.....	16D
Pinball Wizard I Gutters - Automated Bumpers System.....	18D
Pinball Wizard I Motor	20D
Pinball Wizard II Gutters - Automated Bumpers System	22D
Pinball Wizard II Motor Version I & II.....	24D
Automated Bumper Controller PCB (BallWall/Pinball Wizard)	26D
Front Desk Controller PCB (BallWall/Pinball Wizard).....	28D
Automated Bumper System Cables and LLAN Breakout PCB with Frameworkx Scorers.....	30D
Automated Bumper System Cables Stand - Alone Configuration	32D
Frameworkx Flat Gutters and Capping	34D
Pinball Wizard Gutters - Stand Alone	36D
Bankshot.....	38D

Section "E" FURNITURE

"2000" Omni Seat Supports.....	2E
"2000" Omni Seat Supports.....	4E
"2000" Omni Tables	6E
"2000" Omni Seating, Ball Rack, Coat Rack & Mod Wall.....	8E
Frameworkx Two Seat Rail (Short)	10E
Frameworkx Table Assembly with Fixed Arm and Fixed Seat.....	12E
Frameworkx Table Assembly with Fixed Arm and Swivel Seat	14E
Frameworkx Table Assembly with Pivot Arm and Swivel Seat	16E
Frameworkx Modular Wall Base Unit with Optional Storage Rack Assembly	18E
Frameworkx Modular Wall Seating with Fixed Arm and Swivel Seat	20E
Frameworkx Modular Wall Seating with Pivot Arm and Swivel Seat.....	22E
Frameworkx Stand-Alone Round Table.....	24E
Frameworkx Stand-Alone Triangular Table	26E
Frameworkx Round Ball Rack Table	28E
Frameworkx Two Tier Round Ball Rack with Table	30E
Frameworkx Wall Ball Rack with Top	32E
Frameworkx Wall Ball Rack without Top	34E
Frameworkx Freestanding Chair (Tall)	36E
Frameworkx Freestanding Chair (Short).....	38E

Frameworkx Trash Receptacle Assembly	40E
AVK Insert Fastener Tool Coat Rack	42E
Striking Line Sofa	44E
Striking Line Sofa Table.....	46E
Striking Line Modwall.....	48E
Striking Line Modwall.....	50E
Striking Line Narrow Table.....	52E
Striking Coffee Table	54E
Striking Line Miscellaneous.....	56E
Wood Seats Miscellaneous.....	58E
Intentionally Blank Page.....	60E

Section "F" TEL-E-SCORE

"2000" Tele-E-Score	2F
"2000" Tel-E-Score	4F
"2000" Tel-E-Score	6F
Scoring Ensemble & Bowling Chair.....	8F

Section "G" TEL-E-FOUL

Tele-E-Foul Cover & Reflector Assembly	2G
Tel-E-Foul Harness & AMF Adapter Box	4G
Tel-E-Foul Control Unit & Light Source.....	6G
"2000" Tel-E-Foul Control Unit.....	8G
Frameworkx Tel-E-Foul	10G

Section "H" MASKING UNITS

B-2000 Action Set Masking Units	2H
B-2000 Action Set Masking Unit Support Assembly	4H
Action Set Masking Unit	6H
N.A. Frameworkx Masking Unit Graphics	8H
Frameworkx Lower Masking Unit	10H
Frameworkx Ball Light Assembly	12H
Frameworkx Upper Masking Unit.....	14H
Frameworkx Masking Unit - One Panel Upper.....	16H
Frameworkx Masking Unit	18H
Frameworkx Masking Unit	20H
Frameworkx Masking Unit Add-On Kit	22H
Masking Unit Projection Screen	24H
Masking Unit Projection Screen Controller.....	26H
Masking Unit Projector	28H
Intentionally Blank Page.....	30H

Section "J" RETURN TRACK & DROP SWEEPS

Subway Return Track	2J
Dropsweep Assemblies & Ball Dusters	4J
Jet-Back Return Subway	6J
Ball Return Track & Side Panels	8J
Surface To Subway Conversion & Concealed Surface Return Track.....	10J
Pit End Dropsweeps & Covers	12J
Return Track.....	14J

Section "K" BALL RACKS

"2000" Twinline II Ball Rack.....	2K
Twinline II Ball Rack Cable Assemblies.....	4K
"2000" Twinline I Ball Rack.....	6K
Twinline I Ball Rack Cable Assemblies.....	8K
"2000" Switch Cluster Assembly, Dual Strike Mechanism & Harness Assemblies.....	10K
Ball Director PCB, Harness & Ball Stop Assemblies	12K
A-2 Cradle Ball Stop & Riser Section	14K
Frameworkx Ball Return.....	16K

Section "L" POWER LIFT HOODS

"2000" Ball Lift Hood.....2L
Universal Voltage Ball Return System.....4L
Pinfall Display Assembly.....6L
Subway Return Power Lift Hood8L
Concealed Surface Hood10L
Framework Hood.....12L

Section "M" POWER LIFTS

Universal Poly V Subway Ball Lift, Flat Belt Drive (A & A-2) & Conversion Kit.....2M
Subway Power Lift Assembly - "V" Belt.....4M
Ball Lift Control Box Assembly For Pan Style Rack.....6M
"2000" Ball Lift Control Box.....8M
Fan Conversion Box Assembly.....10M
Power Lift Control Box AMF Adapter12M
"2000" Universal Pin Display Acquisition Box & Deck Switch Assemblies14M
Concealed Surface Power Lift Assembly.....16M
Framework Ball Lift.....18M
Framework Ball Lift (Metric).....20M
Framework Ball Lift Control Box.....22M
Framework Ball Lift Control Box (Metric).....24M

Section "N" LUSTRE KLEEN

Lustre Kleen Ball Conditioner Cabinet & Frame Assembly2N
Lustre Kleen Ball Conditioner Illuminated Sign Assembly4N
Lustre Kleen Ball Conditioner Coin Mechanism & Control Panel Assemblies.....6N
Lustre Kleen Ball Conditioner Buffing Wheel & Buffing Compound Assemblies8N
Lustre Kleen Ball Conditioner Electrical Control Box Assembly10N
Lustre Kleen Ball Conditioner Ball Door Assembly.....12N
Lustre Kleen Ball Conditioner Compound Actuator Assembly.....14N
Lustre Kleen Ball Conditioner Oscillator Assembly.....16N
Lustre Kleen Ball Conditioner Ventilation System18N
Lustre Kleen Ball Conditioner Drive & Brake Roller Assemblies20N

Section "P" LUSTRE KING

Lustre King Ball Conditioner Cabinet & Frame Assembly2P
Lustre King Ball Conditioner Cabinet & Frame Assembly4P
Lustre King Ball Conditioner Door Mechanism, Track & Door Motor Assembly6P
Lustre King Ball Conditioner Brake Roller & Idler Assembly, Oscillator & Compound Applicator Mechanism ..8P
Lustre King Ball Conditioner Cam Assembly, Cradle Assembly, Buffing Wheel & Ventilation System10P
Lustre King Ball Conditioner Coin Mechanisms12P
Lustre King Ball Conditioner Coin Mechanisms14P
Lustre King Ball Conditioner Illuminated Sign & Control Box Assembly.....16P

Section "Q" MISCELLANEOUS

Lane Monitor.....2Q
Bowling Ball Locker (B2000) & Freestanding Ball Rack.....4Q
Lane Duster6Q
Lane Duster.....8Q
Finish Applicator10Q
Framework Lockers.....12Q
Lightworx System14Q
Lightworx System Cables16Q

Section A

**SYNTHETIC LANES
&
PINDECKS**

Index

No.	Part No.	Description
1.	N.A.	Integral Pine/Pin Deck Assembly
2.	*N.A.	Pine Panel
	**N.A.	Pine Panel
3.	N.A.	Head and Pine Panel
4.	N.A.	Division Tel-E-Foul Mount
5.	*N.A.	Division Fill Panel
	**N.A.	Division Fill Panel
6.	N.A.	Foul Line and Approach Panel
7.	N.A.	Short Door
	**N.A.	Short Door
8.	*84-200026-000	N.A. Large Return Door
	N.A.	Long Door
9.	*N.A.	Ball Return Fill Panel w/Door
	**N.A.	Ball Return Fill Panel w/Door
10.	84-200133-000	N.A. Return Tel-E-Foul Mount
11.	N.A.	ABC Plug (Pine)
12.	****N.A.	Squash Plug .697 Dia.
	****N.A.	Squash Plug .702 Dia.
13.	84-860427-000	Maple Plug .692 Dia. (Qty. 84)
	84-860428-000	Maple Plug .697 Dia. (Qty. 42)
	84-860429-000	N.A. Maple Plug .702 Dia. (Qty. 5)
14.	84-860431-000	Pine Plug .697 Dia. (Qty. 23)
	84-860432-000	N.A. Pine Plug .702 Dia. (Qty. 5)
15.	11-081203-000	Robertson Hd. Screw (#14 x 4")
16.	N.A.	C. R. Wood Screw (#14 x 3-1/2")
17.	84-860406-000	N.A. Oversize Plug .875 Dia. (Qty. 5 each of Maple, Pine and Squash)
18.	N.A.	ABC Plug (Maple)
19.	***11-676678-000	Paneling Adhesive (29 oz. Tube)
20.	N.A.	Short Pine Section
21.	N.A.	M/O Pin Deck
22.	84-200046-000	Tail Plank
23.	N.A.	Maple Plug .875 Dia. (Qty. 5)
24.	84-860391-002	Maple Plug .687 Dia. (Qty. 70)
25.	N.A.	Pine Plug .687 Dia. (Qty. 50)
26.	N.A.	Pine Plug .875 Dia. (Qty. 5)
27.	****N.A.	Squash Plug .687 Dia.
28.	***N.A.	Squash Plug .875 Dia. (Qty. 5)
29.	**N.A.	Router Guide

LAMINATE PATCHES -

(Not Illustrated) For use on Armor Plate replacement and new lanes - Not for Anvilane

30.	***84-860393-000	N.A.	Maple Patch 2-3/16" x 7-3/4" (Qty. 7)
31.	***84-860394-000	N.A.	Pine Patch 2-3/16" x 7-3/4" (Qty. 7)
32.	***84-860395-000	N.A.	Maple Patch 1-1/4" x 7-3/4" (Qty. 7)
33.	***84-860396-000	N.A.	Pine Patch 1-1/4" x 7-3/4" (Qty. 7)
34.	***84-860397-000	N.A.	Pine Patch 3-1/2" Dia. (Qty. 7)
35.	***84-860398-000	N.A.	Maple Patch 3-1/2" Dia. (Qty. 7)
36.	***84-860399-000	N.A.	Maple Patch 12" x 12" (Qty. 2)
37.	***84-860400-000	N.A.	Pine Patch 12" x 12" (Qty. 2)
38.	52-100464-000	N.A.	Counterbore Drilling Fixture
	***52-100465-000	N.A.	Counterbore Drill Bit (11/16")
39.	***52-860270-000	N.A.	Router Template and Router Guide Pkg.
40.	84-200084-010		Side Moulding for Integral Pin Deck (48" x 1 3/8")
41.	84-200083-010		Rear Molding for Integral Pin Deck (40-3/8" x 1 3/8")
42.	11-084610-001		Flat Hd. C. R. Tap Screw (14-10 x 1-3/4")
43.	11-081202-000		Robinson Hd. Wood Screw (14-10 x 3-1/2")
44.	**N.A.		#2 Robinson Driver Bit
45.	***11-700078-000		#3 Robinson Driver Bit

N.A. = No Longer Available

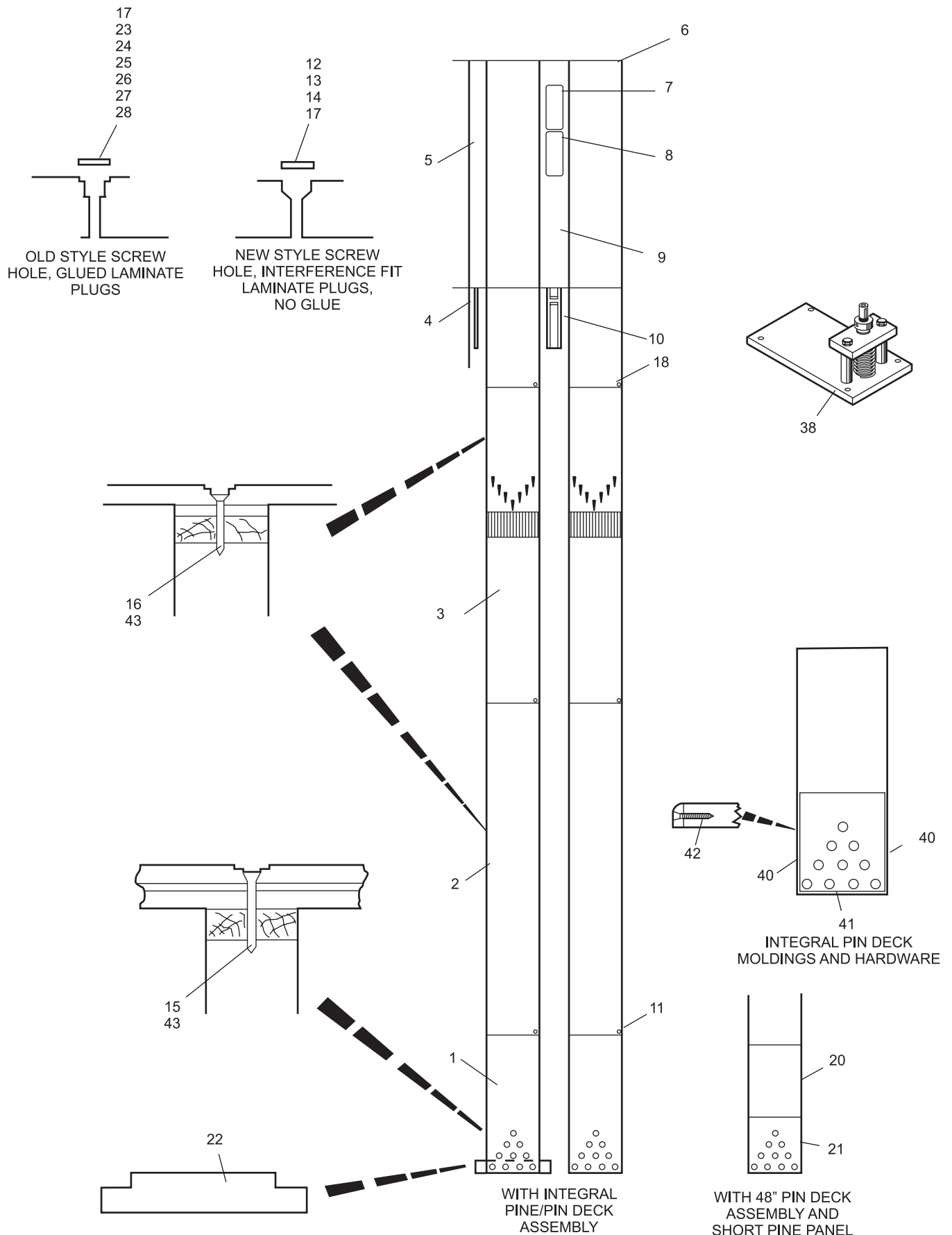
* For installations 1988 and after.

** For installations prior to 1988.

*** Not illustrated.

**** Squash Plug not available use appropriate size Pine Plug

Armor Plate Lanes - Laminate Plugs & Patch Kits



Armor Plate Lanes - Laminate Plugs & Patch Kits

Index

No.	Part No.	Description
1.	N.A.	Pin Deck Assembly - Complete
	52-860151-000	N.A. Foot Package - Complete (Contains 4 feet)
2.	11-084610-001	Self Tapping C. R. Flat Hd. Screw (#14-10 x 1-3/4")
3.	52-100243-001	Side Edge Moulding (48" x 2-1/16")
	52-100244-000	Rear Edge Moulding (40-3/4" x 2-1/16")
4.	52-100224-000	Adjusting Screw
5.	11-125213-001	Hex Jam Nut (5/8-18)
6.	11-195020-001	Lockwasher (5/8)
7.	52-100223-003	Adjusting Foot (L. H. Thread)
8.	52-100222-000	N.A. Adjusting Screw and Foot Assembly - Complete
9.	52-100223-002	Adjusting Screw Foot (R. H. Thread)
10.	N.A.	Self Tapping C. R. Pan Hd. Screw (1/4 x 1-1/2")
11.	N.A.	Self Tapping Hex Hd. Washer Screw (5/16-18 x 1-1/4")
12.	52-100014-000	Maple Spline
13.	N.A.	C. R. Flat Hd. Machine Screw (5/16-18 x 2-1/2")
14.	11-190012-001	Flat Washer (5/16)
15.	11-170009-001	Self Locking Nut (5/16-18)
16.	11-040227-001	C. R. Flat Hd. Wood Screw (#20 x 4")
17.	N.A.	Bed Angle Bracket
18.	11-071061-001	N.A. Carriage Bolt (3/8-16 x 3-1/2")
19.	11-190014-001	Flat Washer (3/8)
20.	11-170011-001	Self Locking Nut (3/8-16)
21.	52-100288-000	N.A. Pin Deck Angle Bracket
22.	N.A.	Self Tapping C. R. Pan Hd. Screw (1/4 x 1-1/2")
23.	N.A.	Self Tapping C. R. Flat Hd. Screw (#12 x 2")
24.	21-202156-000	N.A. Lower Pit Header Plank
25.	52-100009-000	Fill Block (for tail Plank)
26.	N.A.	Barrel Nut
27.	N.A.	Self Tapping Hex Hd. Washer Screw (5/16-18 x 1")
28.	N.A.	Splice Plate
29.	N.A.	Hex Hd. Cap Screw (1/4-20 x 6")
30.	11-190530-001	Flat Washer
31.	52-100079-000	Rear Phenolic Strip - Back (40" x 2-3/4")
32.	52-100078-000	Phenolic Strip - Side (48" x 2-3/4")
33.	N.A.	Phenolic Sheet - Top
34.	*52-100091-000	N.A. Stop Pin
	**21-016034-000	R.O. Black Fibre Bed Spot
	52-100087-000	N.A. Paper Spacer (order separate if needed)
35.	N.A.	Slt'd. Flat Hd. Machine Screw (5/16-18 x 2-1/2")
36.	N.A.	Deck Angle Bracket
37.	11-190010-001	Flat Washer (1/4)
38.	11-195016-001	Lockwasher (3/8)
39.	11-125011-001	Hex Nut (3/8-16)
40.	11-125112-001	N.A. Hex Nut (5/8-11)
41.	11-190022-001	Flat Washer (5/8)
42.	N.A.	Upper Support Plate
43.	11-125212-000	N.A. Hex Jam Nut (5/8-11)
44.	N.A.	Lower Support Plate
45.	N.A.	Slt'd. Flat Hd. Wood Screw (#12 x 2")

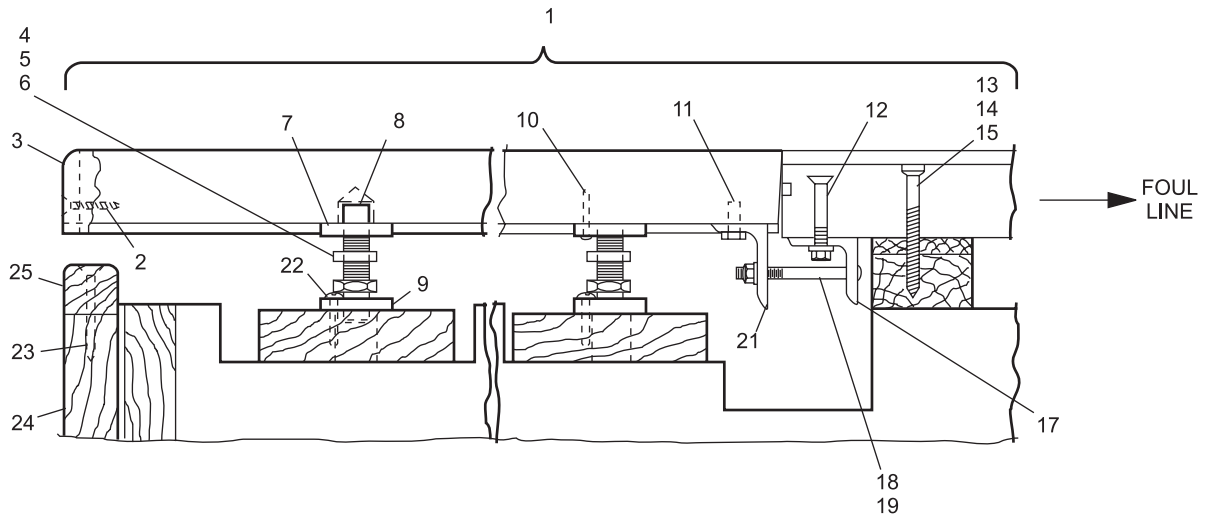
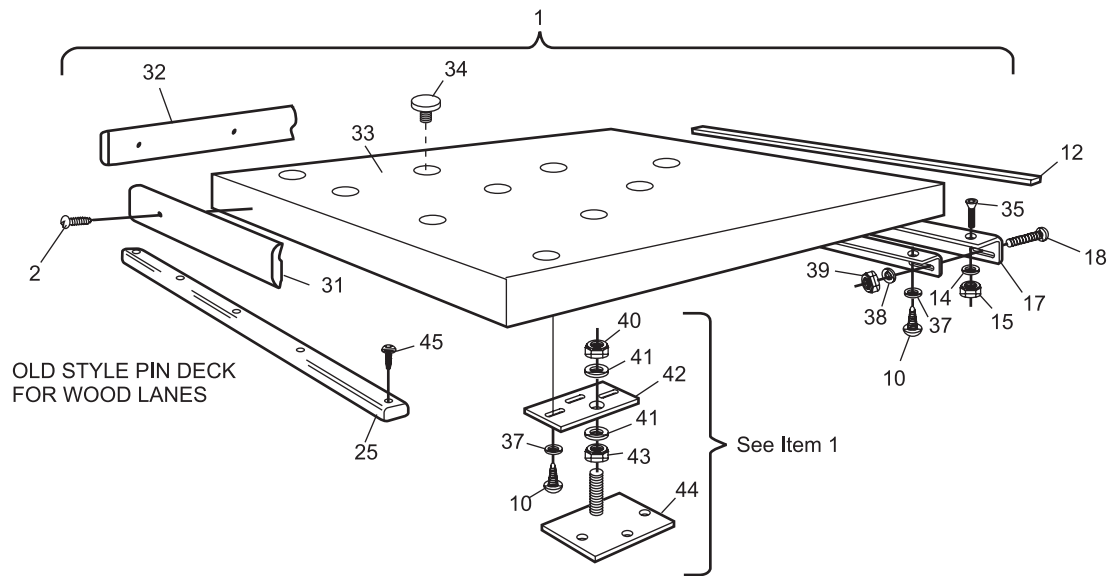
N.A. = No Longer Available

R.O. = Replacement Option

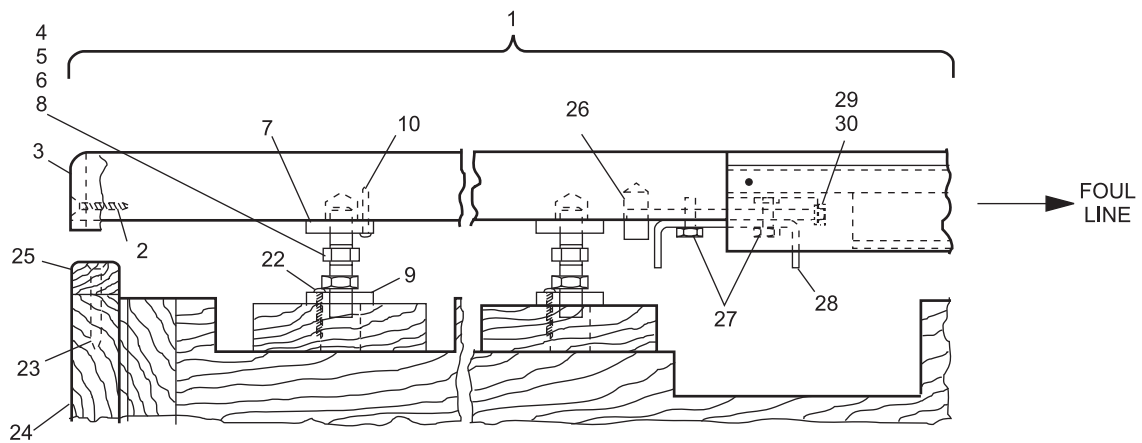
* For Armor Plate Pin Decks so equipped. For replacement of worn original pin spots, contact your local Brunswick Service Representative.

** Not Illustrated

Old Style Pin Deck Assemblies For Lanes So Equipped



WOODLANE, AMOR PLATE & ANVILANE PINDECK



SYSTEMS 2000 PINDECK

**Old Style Pin Deck Assemblies
For Lanes So Equipped**

Index No.	Part No.	Description
1.	84-860510-000	Anti-Skid Pindeck Assembly
2.	84-200263-900	S.O. Anvilane 7/16" Pine Panel 41-7/8" x 142-1/2"
3.	84-200272-900	S.O. Anvilane 7/16" Head Panel 41-7/8" x 126-1/2"
4.	84-200262-900	S.O. Anvilane 7/16" Foul Line Panel 41-7/8" x 142-1/2"
5.	84-200265-900	S.O. Anvilane 7/16" Approach Panel 41-7/8" x 144"
6.	84-200267-999	S.O. Anvilane 7/16" Modernization/Wide Ball Return Fill Panel 28-7/8" x 144"
	84-200268-900	S.O. Anvilane 7/16" New Start/Narrow Ball Return Fill -Panel 28-1/2" x 144"
7.	84-200266-999	S.O. Anvilane 7/16" Modernization/Wide Division Fill Panel 20-15/16" x 144"
	84-200269-900	S.O. Anvilane 7/16" New Start/Narrow Division Fill Panel 20-31/32" x 12'
8.	84-200261-900	S.O. Anvilane 7/16" Approach Walkway Fill Panel 43" Wide 43" x 145-1/4"
9.	84-860423-900	S.O. Pine Laminate Plug - Pkg. of 60 (.445" Dia.)
	84-860424-900	S.O. Pine Laminate Plug - Pkg. of 60 (.45" Dia.)
10.	11-081208-000	Robertson Flat Head Screw (#10 x 2")
11.	84-860520-000	Pin Deck Plugs - Pkg. of 15 (.687 Dia.)
12.	11-081203-000	Robertson Flat Head Screw (#14 x 4")
13.	11-700077-000	#2 Robertson Driver Bit
14.	11-700078-000	#3 Robertson Driver Bit

N.A. = No Longer Available
S.O. = Special Order

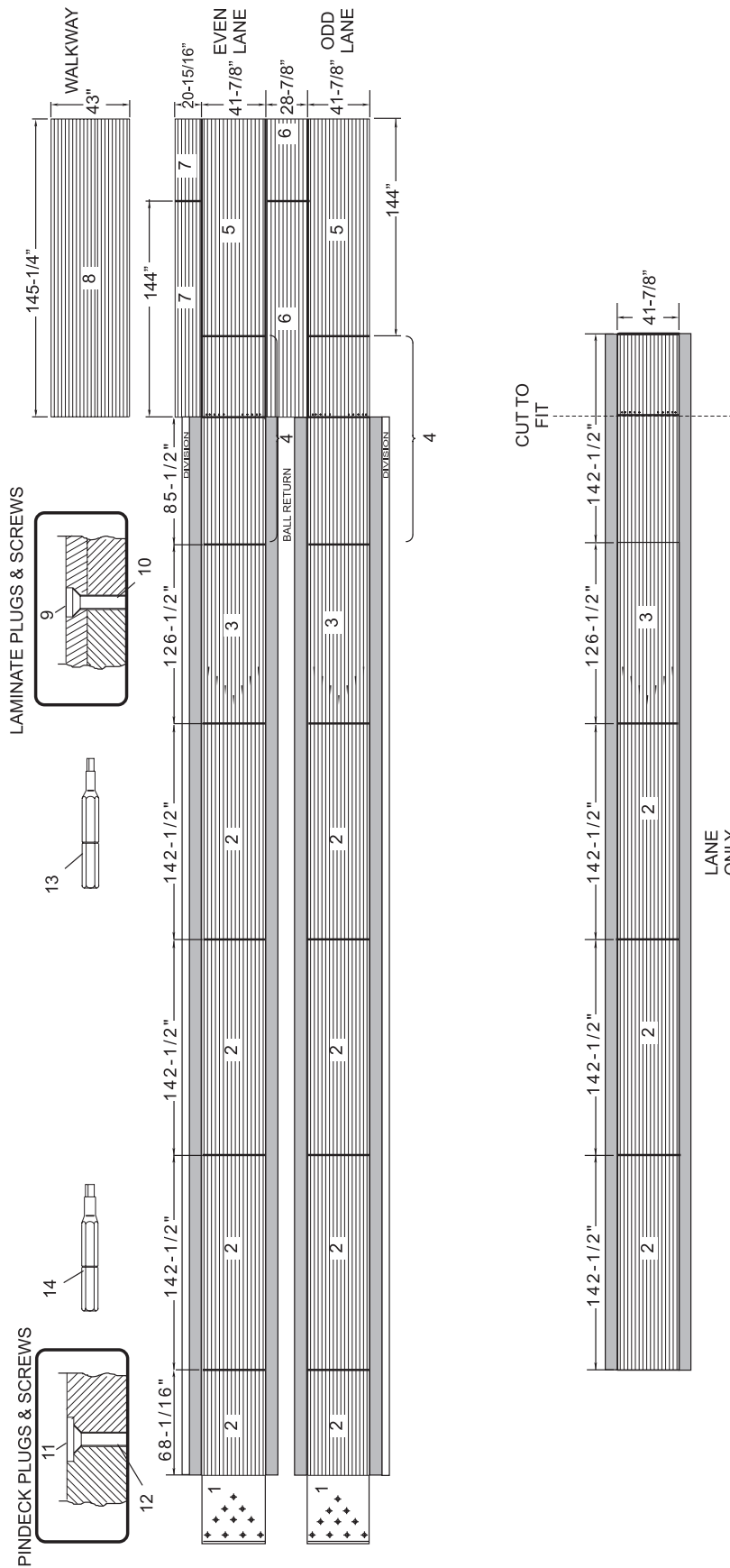
Anvilane 7/16"
Non-Textured "Plate Finish"
GID

Index No.	Part No.	Description
1.	84-860510-000	S.O. Anti-Skid Pindeck Assembly
2.	84-200263-000	S.O. Anvilane 7/16" Pine Panel 41-7/8" x 142-1/2"
3.	84-200272-000	S.O. Anvilane 7/16" Head Panel 41-7/8" x 126-1/2"
4.	84-200262-000	S.O. Anvilane 7/16" Foul Line Panel 41-7/8" x 142-1/2"
5.	84-200265-000	S.O. Anvilane 7/16" Approach Panel 41-7/8" x 144"
6.	84-200267-000	S.O. Anvilane 7/16" Modernization/Wide Ball Return Fill Panel 28-7/8" x 144"
	84-200268-000	S.O. Anvilane 7/16" New Start/Narrow Ball Return Fill Panel 28-1/2" x 144"
7.	84-200266-000	S.O. Anvilane 7/16" Modernization/Wide Division Fill Panel 20-15/16" x 144"
	84-200269-000	S.O. Anvilane 7/16" New Start/Narrow Division Fill Panel 20-31/32" x 144"
8.	84-200261-000	S.O. Anvilane 7/16" Approach Walkway Fill Panel 43" Wide 43" x 145-1/4"
9.	84-860420-000	Maple Laminate Plug - Pkg. of 60 (.445" Dia.)
	84-860421-000	Maple Laminate Plug - Pkg. of 60 (.45" Dia.)
	84-860423-000	N.A. Pine Laminate Plug - Pkg. of 60 (.445" Dia.)
	84-860424-000	Pine Laminate Plug - Pkg. of 60 (.45" Dia.)
10.	11-081208-000	Robertson Flat Head Screw (#10 x 2")
11.	84-860520-000	Pin Deck Plugs - Pkg. of 15 (.687 Dia)
12.	11-081203-000	Robertson Flat Head Screw (#14 x 4")
13.	11-700077-000	#2 Robertson Driver Bit
14.	11-700078-000	#3 Robertson Driver Bit

N.A. = No Longer Available
S.O. = Special Order

Anvilane 7/16"
Non-Textured "Plate Finish"
Non GID

December 2009



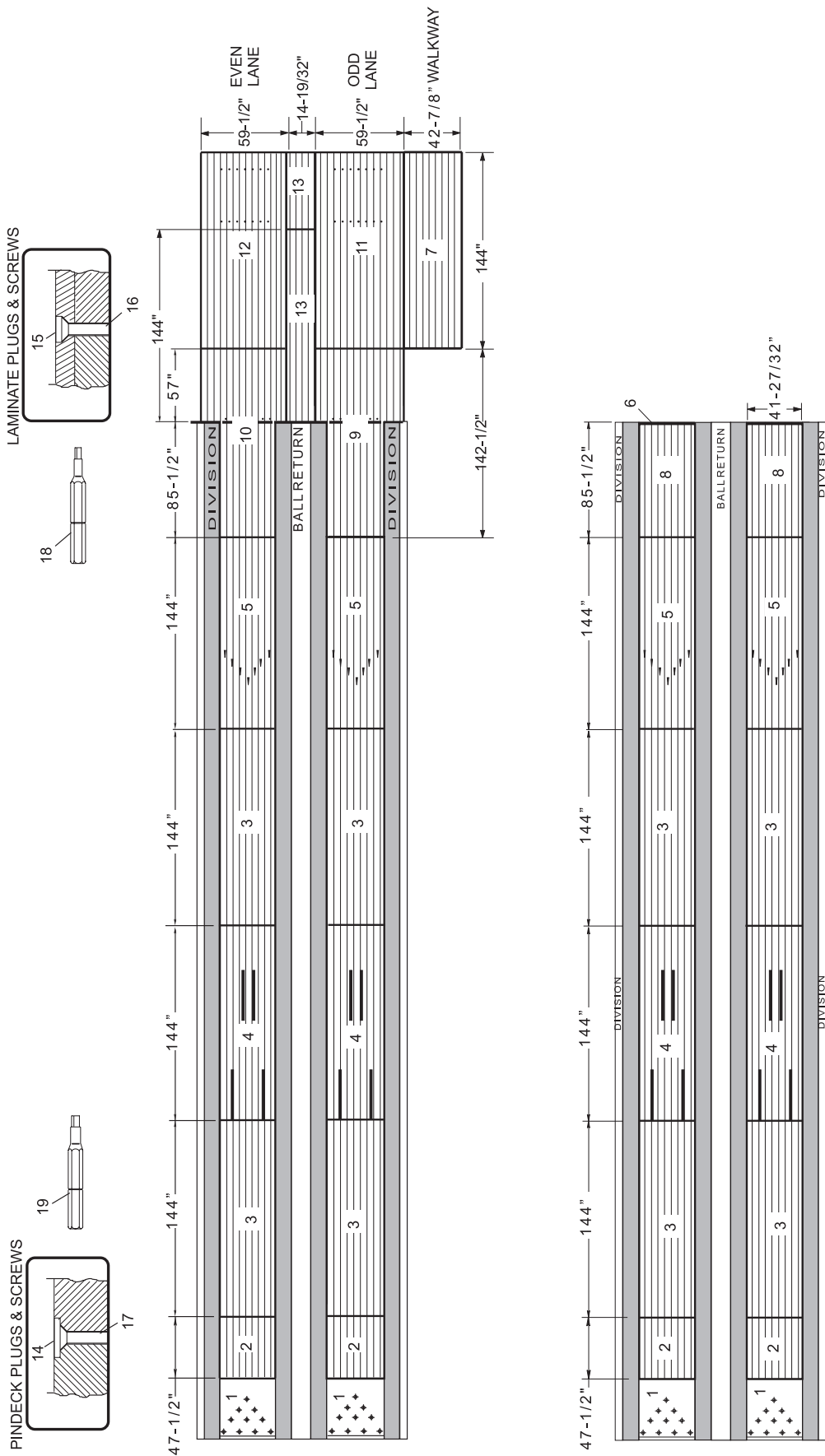
Anvilane 7/16"
Non-Textured "Plate Finish"

Index

No.	Part No.	Description
1.	84-860510-000	Anti-Skid Pin Deck
2.	84-200695-999	Pro Lane Short Lane Panel (41-27/32" x 47-1/8") cut to fit
3.	84-200693-999	Pro Lane Lane Panel (41-27/32" x 144")
4.	84-200694-999	ProLane Lane Panel (with characters) (41-27/32" x 144")
5.	84-200692-999	Pro Lane Head Lane Panel (41-27/32" x 144")
6.	84-200365-000	Foul Line - Urethane (42-1/2" x 3/4" x 1/2")
7.	84-200704-999	Pro Lane Walkway Fill Panel (42-1/2" x 145-1/4")
	84-200446-999	S.O. Pro Lane Walkway Non-Textured Fill Panel (42-1/2" x 145-1/4")
8.	84-200700-999	Pro Lane Foul Line Lane (lane only) (41-27/32" x 85-12")
	84-200447-999	Pro Lane Non-Textured Foul Line Panel (41-27/32" x 85-12") - Lane Only
9.	84-200699-999	L.H. Pro Lane Foul Line Lane Panel (59-1/2" x 142-1/2")
10.	84-200698-999	R.H. Pro Lane Foul Line Lane Panel (59-1/2" x 142-1/2")
11.	84-200697-999	L.H. Pro Lane Approach Lane Panel Textured (59-1/2" x 144")
	84-200401-999	S.O. L.H. Pro Lane Approach Non-Textured Lane Panel (41-27/32" x 85-1/2")
12.	84-200696-999	R.H. Pro Lane Approach Lane Panel Textured (59-1/2" x 144")
	84-200436-999	R.H. Pro Lane Approach Lane Panel Non- Textured (59-1/2" x 144")
13.	84-200701-999	Pro Lane New Start/Narrow Ball Return Fill Panel (14-5/32" x 144") cut to fit
	84-200702-999	Pro Lane Modernization/Wide Ball Return Fill Panel (15-1/4" x 144") cut to fit
	84-200445-999	Pro Lane Modernization/Wide Ball Return Fill Non-Textured Panel (15-1/4" x 144") cut to fit
	84-200495-999	Pro Lane Non-Textured Newstart/Narrow Ball Return Fill Panel (14-5/32" x 144") Cut to Fit
14.	84-860520-000	Pin Deck Plugs - .687 Dia. (Qty. 15)
15.	84-860600-999	Lane Plugs (Qty. 500)
16.	11-081208-000	Robertson Flat Head Screw (#10 x 2")
17.	11-081203-000	Robertson Flat Head Screw (#14 x 4")
18.	11-700077-000	#2 Robertson Driver Bit
19.	11-700078-000	#3 Robertson Driver Bit

S.O. = Special Order

Pro Lane GID



Index No.	Part No.	Description
1.	84-200712-999	Anvilane/IQ 3/8" Synthetic Right Hand Textured Approach Panel (59-1/2" x 144")
	84-200664-999	S.O. Anvilane/IQ 3/8" Synthetic Right Hand Non-Textured Approach Panel (59-1/2" x 144")
2.	84-200711-999	L.H. Anvilane/IQ 3/8" Synthetic Textured Approach Panel (59-1/2" x 144")
	84-200663-999	N.A. L.H. Anvilane/IQ 3/8" Synthetic Non-Textured Approach Panel (59-1/2" x 144")
3.	84-200714-999	R.H. Anvilane/IQ 3/8" Synthetic Textured Foul Line Panel (59-1/2" x 142-1/2")
	84-200666-999	N.A. R.H. Anvilane/IQ 3/8" Synthetic Non-Textured Foul Line Panel (59-1/2" x 142-1/2")
4.	84-200713-999	L.H. Anvilane/IQ 3/8" Synthetic Textured Foul Line Panel (59-1/2" x 142-1/2")
	84-200665-999	S.O. L.H. Anvilane/IQ 3/8" Synthetic Non-Textured Foul Line Panel (59-1/2" x 142-1/2")
5.	84-200715-999	Anvilane/IQ 3/8" Synthetic Textured Modernization/Wide Ball Return Fill Panel (14-3/8")
	84-200660-999	S.O. Anvilane/IQ 3/8" Synthetic Non-Textured Modernization/Wide Ball Return Fill Panel (14-3/8")
	84-200716-999	Anvilane/IQ 3/8" Synthetic Textured New Start/Narrow Ball Return Fill Panel (14-3/8")
	84-200661-999	N.A. Anvilane/IQ 3/8" Synthetic Non-Textured New Start/Narrow Ball Return Fill Panel (14-3/8")
6.	84-200708-999	R.H. Anvilane/IQ 3/8" Synthetic Arrow Panel (41-7/8" x 144")
7.	84-200707-999	L.H. Anvilane/IQ 3/8" Synthetic Arrow Panel (41-7/8" x 144")
8.	84-200706-999	R.H. Anvilane/IQ 3/8" Synthetic Common Panel (41-7/8" x 144")
9.	84-200705-999	L.H. Anvilane/IQ 3/8" Synthetic Common Panel (41-7/8" x 144")
10.	84-200710-999	R.H. Anvilane/IQ 3/8" Synthetic Short Panel (41-7/8" x 144")
11.	84-200709-999	L.H. Anvilane/IQ 3/8" Synthetic Short Panel (41-7/8" x 144")
12.	84-200717-999	Anvilane/IQ 3/8" Synthetic Textured Walkway Fill Panel (42-7/8" x 144")
	84-200722-999	Anvilane/IQ 3/8" Synthetic Non-Textured Walkway Fill Panel (42-7/8" x 144")
13.	84-200719-999	R.H. Anvilane/IQ 3/8" Synthetic Lane Only Foul Line Panel (41-7/8" x 144")
14.	84-200718-999	L.H. Anvilane/IQ 3/8" Synthetic Lane Only Foul Line Panel (41-7/8" x 144")
15.	84-200721-999	R.H. Anvilane/IQ 3/8" Synthetic Lane Only Arrow Panel (41-7/8" x 144")
16.	84-200720-999	L.H. Anvilane/IQ 3/8" Synthetic Lane Only Arrow Panel (41-7/8" x 144")
17.	84-860600-999	Lane Plugs Pkg. of 500
18.	11-081208-000	Robertson Flat Head Screw (#10 x 2")
19.	84-860520-000	Pin Deck Plug Pkg. of 15 (.687 Dia.)
20.	11-081203-000	Robertson Flat Head Screw (#14 x 4")
21.	11-700078-000	#3 Robertson Driver Bit
22.	11-700077-000	#2 Robertson Driver Bit

S.O. = Special Order
N.A. = No Longer Available

Anvilane IQ 3/8"

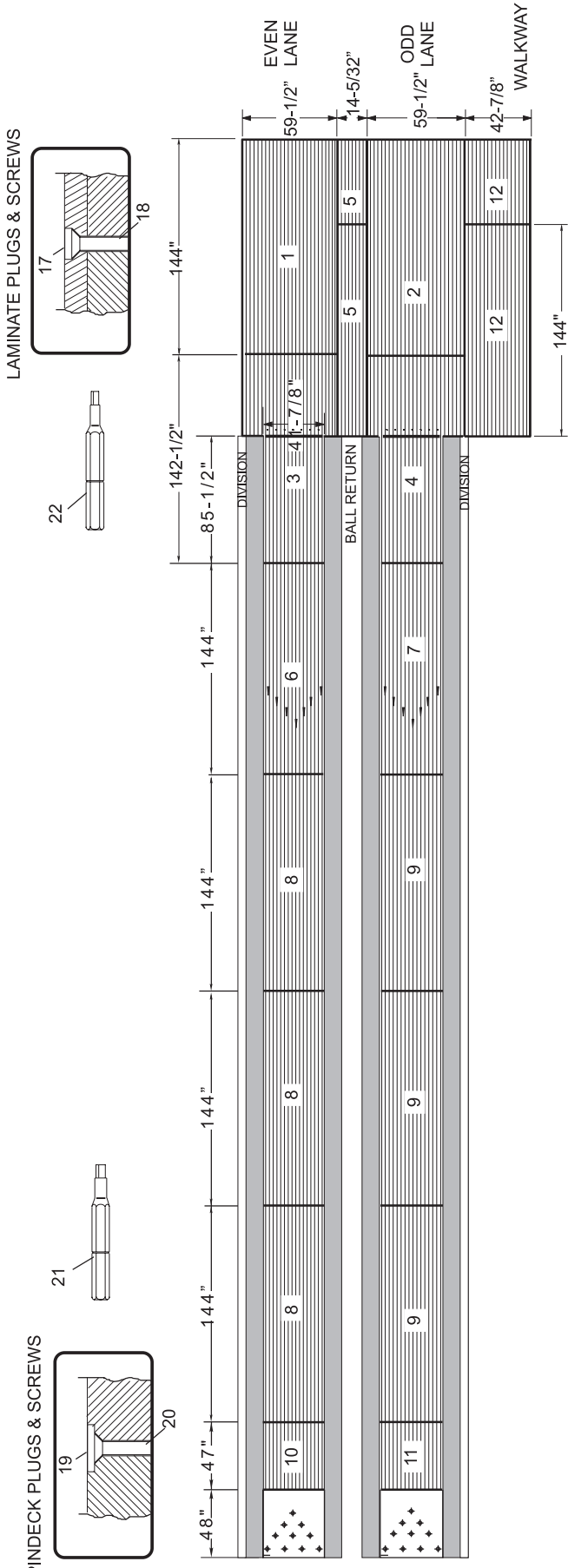
GID

Index No.	Part No.	Description
1.	84-200712-000	R.H. Anvilane/IQ 3/8" Synthetic Textured Approach Panel (59-1/2" x 144")
	84-200664-000	S.O. R.H. Anvilane/IQ 3/8" Synthetic Right Hand Non-Textured Approach Panel (59-1/2" x 144")
2.	84-200711-000	L.H. Anvilane/IQ 3/8" Synthetic Textured Approach Panel (59-1/2" x 144")
	84-200663-000	S.O. L.H. Anvilane/IQ 3/8" Synthetic Non-Textured Approach Panel (59-1/2" x 144")
3.	84-200714-000	R.H. Anvilane/IQ 3/8" Synthetic Textured Foul Line Panel (59-1/2" x 142-1/2")
	84-200666-000	S.O. R.H. Anvilane/IQ 3/8" Synthetic Non-Textured Foul Line Panel (59-1/2" x 142-1/2")
4.	84-200713-000	L.H. Anvilane/IQ 3/8" Synthetic Textured Foul Line Panel (59-1/2" x 142-1/2")
	84-200665-000	S.O. L.H. Anvilane/IQ 3/8" Synthetic Non-Textured Foul Line Panel (59-1/2" x 142-1/2")
5.	84-200715-000	Anvilane/IQ 3/8" Synthetic Textured Modernization/Wide Ball Return Fill Panel (14-3/8")
	84-200660-000	S.O. Anvilane/IQ 3/8" Synthetic Non-Textured Modernization/Wide Ball Return Fill Panel (14-3/8")
	84-200716-000	Anvilane/IQ 3/8" Synthetic Textured New Start/Narrow Ball Return Fill Panel (14-3/8")
	84-200661-000	S.O. Anvilane/IQ 3/8" Synthetic Non-Textured New Start/Narrow Ball Return Fill Panel (14-3/8")
6.	84-200708-000	R.H. Anvilane/IQ 3/8" Synthetic Arrow Panel (41-7/8" x 144")
7.	84-200707-000	L.H. Anvilane/IQ 3/8" Synthetic Arrow Panel (41-7/8" x 144")
8.	84-200706-000	R.H. Anvilane/IQ 3/8" Synthetic Common Panel (41-7/8" x 144")
9.	84-200705-000	L.H. Anvilane/IQ 3/8" Synthetic Common Panel (41-7/8" x 144")
10.	84-200710-000	R.H. Anvilane/IQ 3/8" Synthetic Short Panel (41-7/8" x 144")
11.	84-200709-000	L.H. Anvilane/IQ 3/8" Synthetic Short Panel (41-7/8" x 144")
12.	84-200717-000	Anvilane/IQ 3/8" Synthetic Textured Walkway Fill Panel (42-7/8" x 144")
	84-200722-000	Anvilane/IQ 3/8" Synthetic Non-Textured Walkway Fill Panel (42-7/8" x 144")
13.	84-200719-000	R.H. Anvilane/IQ 3/8" Synthetic Lane Only Foul Line Panel (41-7/8" x 144")
14.	84-200718-000	L.H. Anvilane/IQ 3/8" Synthetic Lane Only Foul Line Panel (41-7/8" x 144")
15.	84-200721-000	R.H. Anvilane/IQ 3/8" Synthetic Lane Only Arrow Panel (41-7/8" x 144")
16.	84-200720-000	L.H. Anvilane/IQ 3/8" Synthetic Lane Only Arrow Panel (41-7/8" x 144")
17.	84-860600-000	Lane Plugs (Qty. 500) - Non-Glow
18.	11-081208-000	Robertson Flat Head Screw (#10 x 2")
19.	84-860520-000	Pin Deck Plugs Pkg. of 15 (.687 Dia.)
20.	11-081203-000	Robertson Flat Head Screw (#14 x 4")
21.	11-700078-000	#3 Robertson Driver Bit
22.	11-700077-000	#2 Robertson Driver Bit

S.O. = Special Order
N.A. = No Longer Available

Anvilane IQ 3/8"

Non GID



Anvilane IQ 3/8"

Intentionally Blank Page

Section B

**WOOD LANES
&
WOOD GUTTERS**

Index

No.	Part No.		Description
1.	*52-100083-002	N.A.	Maple Bedstock (1-5/64" x 2-3/4")
2.	*21-057216-000	N.A.	Pine Bedstock (1-5/64" x 2-3/4")
3.	*21-042538-000		Maple Patching (1-3/32" x 3/4")
	*21-033042-000		Maple Patching(1-9/64" x 3/4")
4.	*21-042539-000	N.A.	Pine Patching(1-3/32" x 3/4")
	21-033043-000		Pine Patching (1-9/64" x 3/4")
5.	**15-066169-000	N.A.	Magic Wood (1 Lb. Can)
BLACK FIBRE FOUL LINE			
6.	21-082527-000	N.A.	42-1/2" x 1/2" x 1/2"
	21-042886-000	N.A.	42-1/2" x 3/4" x 1/2"
	84-200365-000	R.O.	(Foul Line Urethane)
	21-047665-000	N.A.	42-1/2" x 1" x 1/2"
	21-081895-000		42-1/2" x 1" x 1/2" (Cut for 21-089814-000 Spline)
	84-200365-000		42-1/2" x 3/4" x 1/2" Urethane Foul Line
7.	21-089814-000	N.A.	Spline - Aluminum(Used w/124-01-010)
8.	21-042904-000		Fibre Dowel (3/16" x 2")
9.	21-016034-000		Black Fibre Bed Spot
10.	N.A.		Nu-Wood (6" x 3-1/2" x 1/2")
11.	52-100210-000		Nu-Wood (42" x 3-1/2" x 1/2")
12.	N.A.		Nu-Wood (48" x 1-5/8" x 1/2")
13.	21-087297-000	N.A.	Plywood (42" x 7-1/2" x 1/2")
14.	N.A.		Trim Panel (84" x 10" x 1/4")
	19-083209-000		Trim Panel (84" x 18" x 1/4")
15.	52-100201-000		Maple Shoe Moulding (L.F.)
	52-100202-000	N.A.	Pine Shoe Moulding (L.F.)
16.	52-100291-000		Maple Base Moulding (L.F.) 5-1/2"
17.	**16-590060-000	N.A.	White Glue (1/2 Pint)
18.	N.A.		Bed Clamp
19.	N.A.		Slted. Flat Hd. Wood Screw (#14 x 1-1/2")
20.	52-200061-000	N.A.	Maple Approach Flooring (1-5/64" x 1-1/2") -
	52-200061-003	R.O.	White Maple Approach
21.	**N.A.		Slted. Flat Hd. Wood Screw (#12 x 1-1/2")
	N.A.		Slted. Flat Hd. Wood Screw (#12 x 1-3/4")
	11-040663-001	N.A.	Slted. Flat Hd. Wood Screw (#14 x 3")
	15-611285-000	N.A.	C.R. Flat Hd. Wood Screw (#14 x 3-1/2")
	15-610089-000	N.A.	Slted. Flat Hd. Wood Screw (#16 x 1-3/4")
	11-040695-001	N.A.	Slted. Flat Hd. Wood Screw (#16 x 3-1/2")
	11-040227-001		Slted. Flat Hd. Wood Screw (#20 x 4")
	11-040228-001		C. R. Flat Hd. Wood Screw (#20 x 4-1/2")
22.	52-100203-000		Maple Dowel (1/2" x 1")
	52-100204-000		Maple Dowel (11/16" x 2-1/2")
23.	52-033065-000	N.A.	Pine Dowel (1/2" x 1")
	52-100211-000		Pine Dowel (11/16" x 2-1/2")
24.	52-200060-000		Red Fibre Dowel (11/16" x 3/4")
25.	52-200059-000		Red Fibre Dowel (1/2" x 3/4")
26.	**11-900107-000	N.A.	#8D Nail (Lb.)
	11-900108-000	N.A.	#10D Nail (Lb.)
	52-100209-000		#6D Screw Nail (Lb.)
	N.A.		#13 x 3/4" Nail (Lb.)
	N.A.		#6D Finishing Nail
27.	21-202155-000	N.A.	Upper Pit Header Plank
28.	**21-202156-000	N.A.	Lower Pit Header Plank
29.	21-202429-000	N.A.	Spline
30.	52-100315-000	N.A.	Bed Bolt (1/2-13 x 40-3/8")
31.	11-190018-001		Flat Washer (1/2)
32.	11-125108-001		Hex Nut (1/2-13)
33.	N.A.		General Lane Patch Kit
	61-860074-000	N.A.	Epoxy Pine Patch Kit
	61-860074-999		Epoxy Maple Patch Kit (GID)
	61-860073-000		Epoxy Maple Patch Kit
	61-860073-999		Epoxy Maple Patch Kit (GID)
	N.A.		Synthetic Lane Patch Kit
34.	52-200058-000		Range Finder Dart
35.	**11-676654-000	N.A.	Adhesive (for Dart Installation) - 4 oz
36.	52-860207-000	S.O.	Bridge Level w/Case
37.	52-100374-000	S.O.	Glass Vial Only
38.	11-125004-001		Hex Nut (10-24)
39.	N.A.		Slted. Rd. Hd. Machine Screw (10-24 x 2")
40.	**N.A.		Carrying Case Only

N.A. = No Longer Available

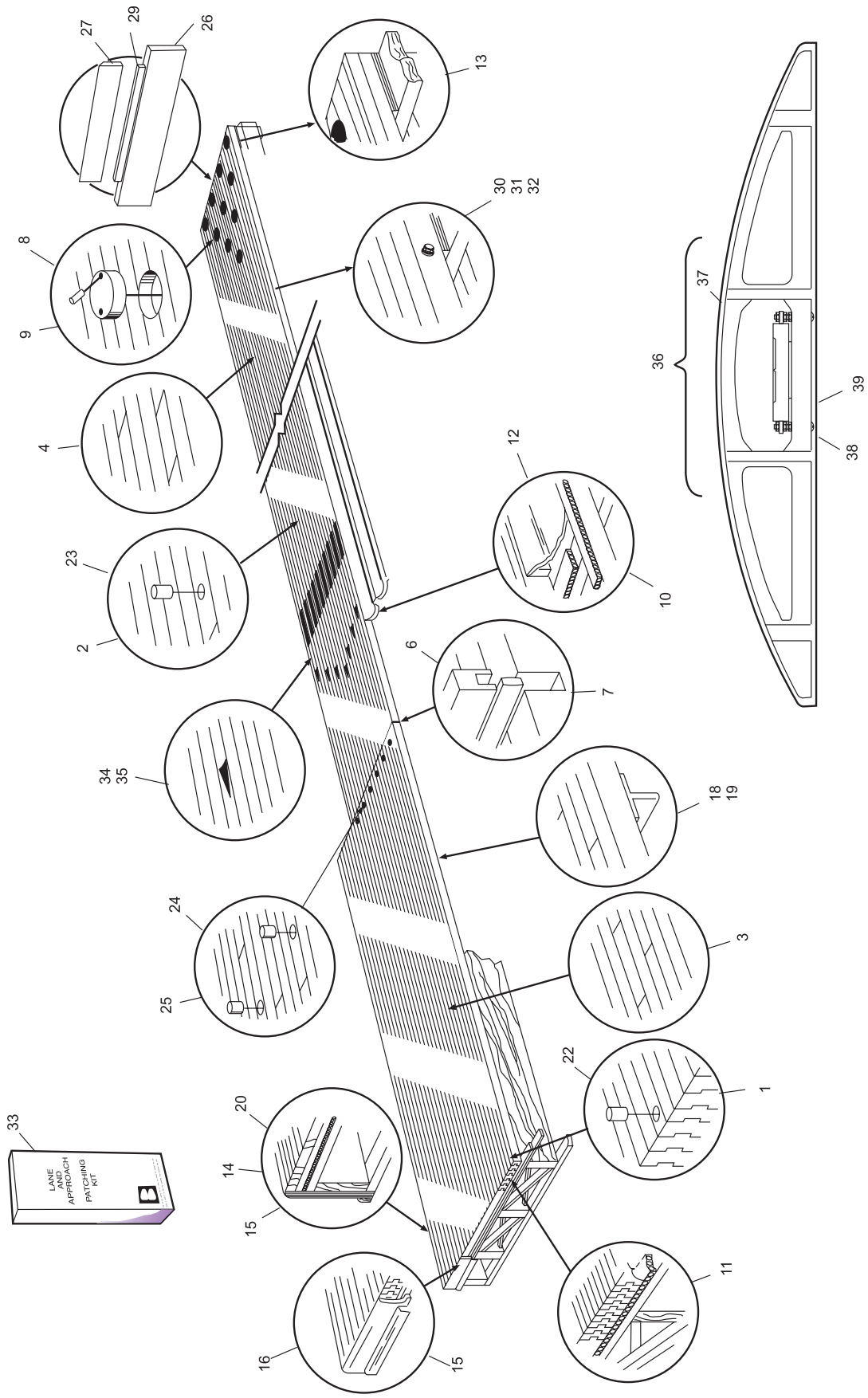
R.O. = Replacement Option

S.O. = Special Order

* Minimum order quantity is 30 feet

** Not Illustrated

Lane & Pit End Material



Lane & Pit End Material

Index

No.	Part No.	Description
<u>WOOD GUTTERS</u>		
1.	N.A.	L.H. Approach End - Ten Pin
2.	N.A.	R. H. Approach End - Ten Pin
3.	52-080462-000	N.A. Center and Pit End - Ten Pin ADAPTER BLOCK
4.	N.A.	L.H. Outside - Charcoal Gray
	N.A.	L.H. Outside - "2000" Brown
5.	N.A.	L.H. Inside - Charcoal Gray
	52-100021-600	L.H. Inside - "2000" Brown
6.	N.A.	R.H. Inside - Charcoal Gray
	52-100020-600	R.H. Inside - "2000" Brown
7.	N.A.	R.H. Outside - Charcoal Gray
	52-100020-600	R.H. Outside - "2000" Brown
8.	21-090495-000	N.A. Gutter Coupler - Ten Pin
	11-086365-003	Self Tapping C.R. Flat Hd. Screw (#8 x 3/4")
	52-100207-000	N.A. Grommet Nut
9.	52-860062-004	N.A. L.H. Pit End Gutter Assembly
10.	52-860062-003	N.A. R.H. Pit End Gutter Assembly
11.	52-100205-005	N.A. L.H. Pit End Gutter Moulding
12.	52-100205-004	N.A. R.H. Pit End Gutter Moulding
13.	52-100205-006	N.A. Pit End Gutter Bottom
14.	21-089714-002	N.A. Gutter Head
<u>WOOD GUTTER</u>		
15.	N.A.	L.H. Approach End - Duck and Candle Pin
16.	N.A.	R.H. Approach End - Duck and Candle Pin
17.	N.A.	Center and Pit End - Duck and Candle Pin
18.	21-090496-000	N.A. Gutter Coupler - Duck and Candle Pin
19.	N.A.	Outside Rear Gutter
20.	N.A.	Inside Rear Gutter
21.	N.A.	R.H. Outside Front Gutter
22.	N.A.	L.H. Outside Front Gutter
23.	N.A.	R.H. Inside Front Gutter
24.	N.A.	L.H. Inside Front Gutter
25.	*N.A.	Front Fibre Plate 33" x 15" x 3/16")
	52-200005-002	R.H. Kickback Plate (16 x 40)
26.	N.A.	Fibre Plate (15" x 50" x 3/16")
27.	N.A.	#13 x 3/4" Nail (Lb.)
28.	*21-088674-000	Rear Fibre Plate (21-3/4" x 19" x 3/16")
29.	21-042885-000	N.A. Ten Pin Spot End (2-3/4" x 1-5/64" x 46")
30.	21-042884-000	N.A. Ten Pin Spot End (2-3/4" x 1-5/64" x 62")
31.	N.A.	Maple Pit End Strip w/Fibre
	52-100030-000	N.A. Maple Pit End Strip w/Phenolic (1-5/64" x 2-3/4" x 46")

Index

No.	Part No.	Description
32.	N.A.	Fibre Bed Plate (42" x 41" x 3/8")
33.	N.A.	Cleat - 3 Ply Full Bored w/o Hdwe. - 39 Boards (1-1/2" x 42" x 14")
34.	N.A.	Cleat - 3 Ply Full Bored w/o Hdwe. - 42 Boards
35.	N.A.	Cleat - 3 Ply Unbored w/o Hdwe.
36.	***N.A.	Apron Assembly - Ten Pin
37.	***N.A.	Apron Assembly - Duck and Candle Pin
38.	***N.A.	Metal Loop - Ten Pin
39.	***N.A.	Metal Loop - Duck and Candle Pin
40.	***N.A.	Loop Bracket
41.	***N.A.	Slt'd. Rd. Hd. Wood Screw (#8 x 3/4")
42.	***N.A.	Stud
43.	***N.A.	Lower Fibre Plate (7-3/8" x 31" x 3/16")
44.	***N.A.	Upper Fibre Plate (15" x 65" x 3/16")
45.	***N.A.	Adhesive for Fibre Plate
46.	***N.A.	Rim Panel - See Note (6-3/4" x 54" x 1/8")
47.	***11-676047-000	Cement (One Gallon)

N.A. = No Longer Available

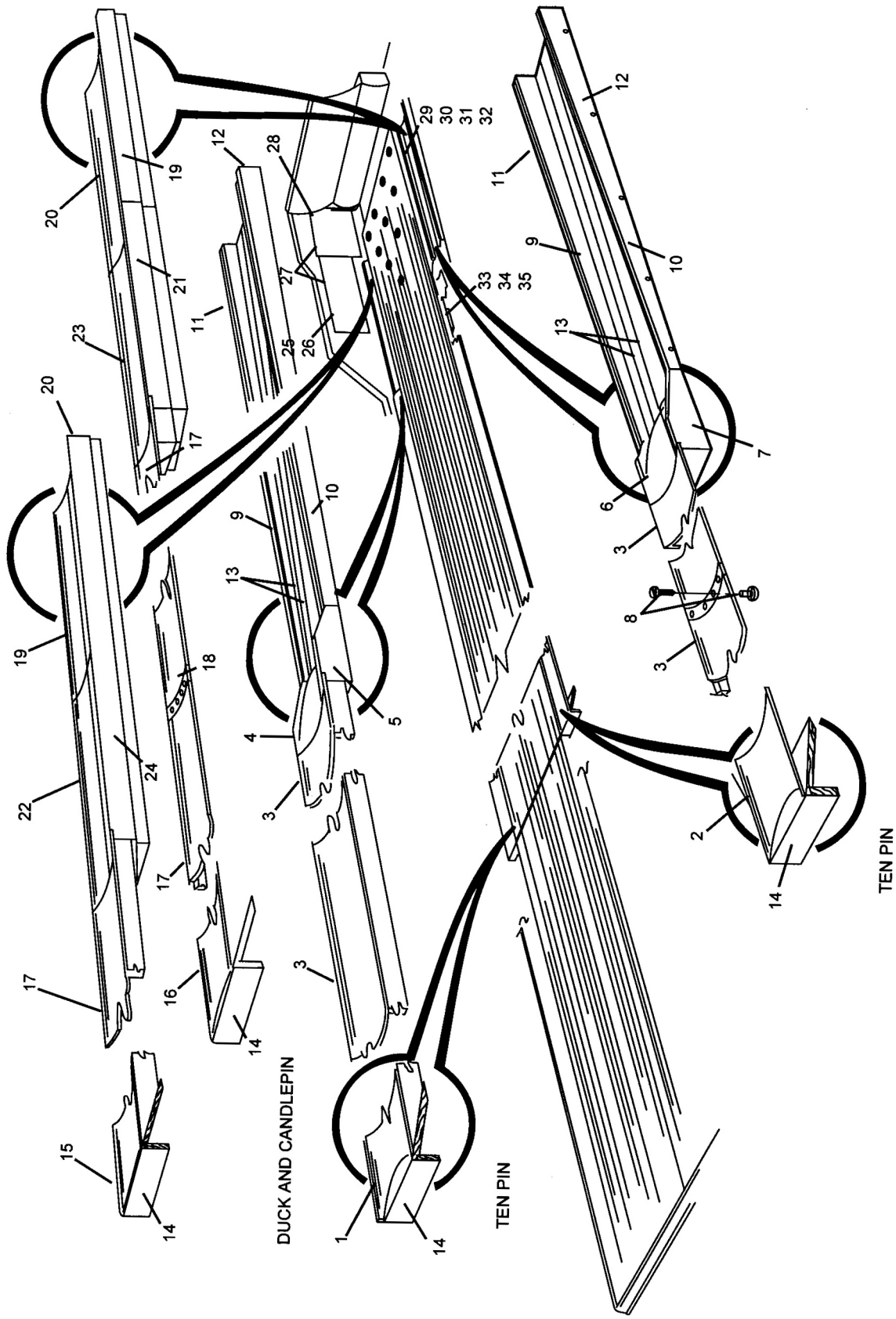
* Use Nail (179859) and Index No. 47 (11-676047-000) Cement

** These wood gutter products are no longer available. There is no direct replacement but the following assembly is a recommended replacement: 84-860557-000 Flat Gutter and Hardware Package. Please note this gutter assembly is made out of HDPE not wood. The assembly will replace index 9, 10, 11, 12, 13.

*** Not Illustrated

NOTE: Use to cover top of double kickback.

**Wood Gutters
Lane & Pit End Materials**



Wood Gutters
Lane & Pit End Materials

Intentionally Blank Page

Section C

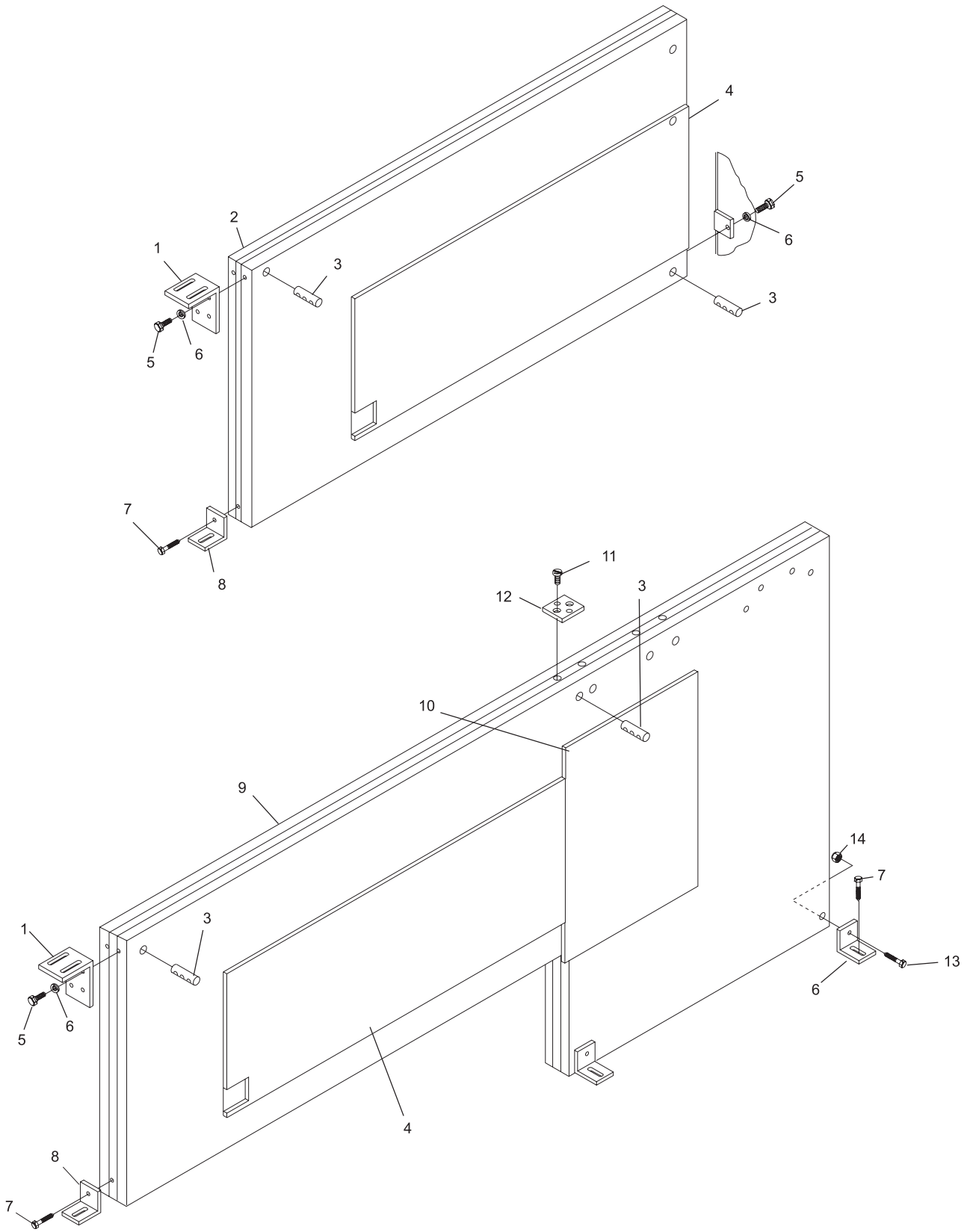
KICKBACKS

No.	Index Part No.		Description
1.	47-080207-003		Angle Bracket
2.	84-200074-002	N.A.	Kickback - Accelerator - R. H. (GS-10)
	84-200074-003	N.A.	Kickback - Accelerator - L. H. (GS-10)
3.	84-200073-000		Barrel Nut
4.	*52-200005-002		R.H. Kickback Plate (16 x 40) (7 Pin Side)
	*52-200005-004		L.H. Kickback Plate (16 x 40) (10 Pin Side)
5.	N.A.		Metric Hex Hd. Cap Screw (8mm x 60mm)
6.	11-051770-001		Metric Lockwasher (8mm)
7.	11-053303-001		Metric Hex Hd. Lag Screw (10mm x 50mm)
8.	84-200136-000		Kickback Bracket
9.	84-200075-000		Kickback - Division (GS-10)
	52-860055-002		Filler Blocks and Hardware
10.	52-200005-003		Kickback Plate (29 x 22)
11.	11-052552-001	N.A.	Phillps Screw (8mm x 60mm)
12.	47-080206-004		Common Mounting Plate
13.	11-051013-001		Hex Hd. Cap Screw (10mm x 90mm)
14.	11-051745-001		Locknut (10mm)

N.A. = No Longer Available

* Use cement (P/N 11-676047-000) and nails (P/N 179859) to attach facing.

Return & Division Kickback For GS-Series Pinsetters



Return & Division Kickback For GS-Series Pinsetters

Index

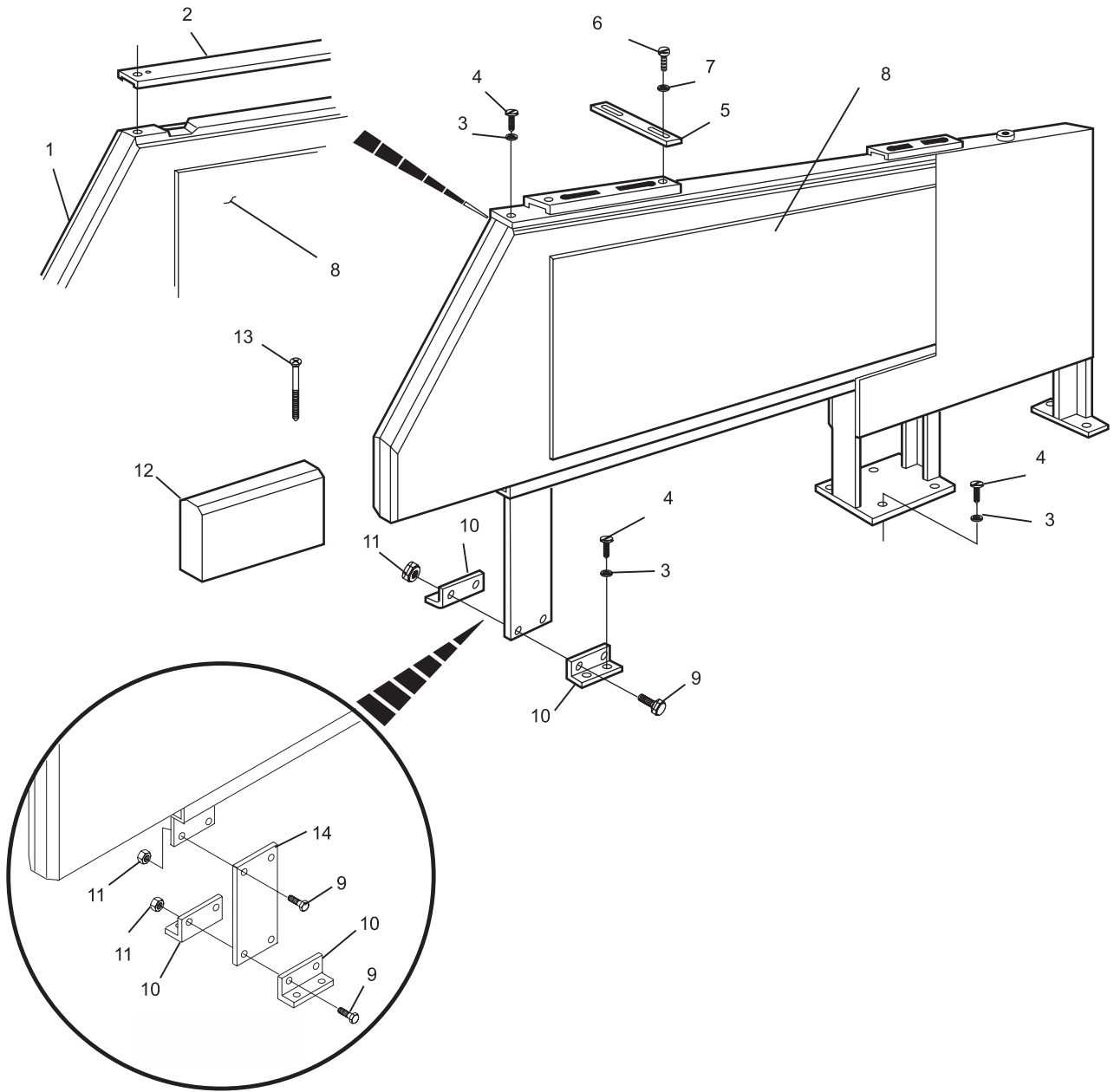
No.	Part No.		Description
1.	52-200054-000		Insert Panel Automatic Pinsetter Kickback (Facing Both Sides)
2.	N.A.		Retainer Angle
3.	11-191014-001		Flat Washer (3/8)
4.	11-070063-001	N.A.	Hex. Hd. Lag Screw (3/8-7 x 1-3/4")
5.	52-200041-000		Tie Strap
6.	11-015365-001	N.A.	Sems Hex Hd. Cap Screw (5/16-18 x 5/8")
7.	11-191012-001		Flat Washer (5/16")
8.	*52-200005-002		R.H. Kickback Plate (16 x 40) - 7 Pin Side
	*52-200005-004		L.H. Kickback Plate (16 x 40) - 10 Pin Side
9.	11-001347-001		Hex Hd. Cap Screw (3/8-16 x 1-3/8")
10.	52-200046-000	N.A.	Front Floor Bracket Pkg.
	52-860055-002	R.O.	Front Kickback Block Floor Bracket Pkg.
11.	11-170011-001		Self Locking Nut (3/8-16)
12.	52-860055-002		Fill Block
13.	11-040167-001	N.A.	Flat Hd. Wood Screw (#14 x 4")
14.	52-200049-000	N.A.	Adapter Bracket
	52-860056-000	R.O.	Adapter Block Pkg.
15.	**52-860056-000		Adapter Bracket Kit (includes items 14, 9, 11)
16.	**52-860055-002		Fill Blocks w/Hardware (includes items 3, 4, 6, 7, 9, 10, 11)

N.A. = No Longer Available

* Use cement 11-676047-000 and nails 15-603401-000 to attach facing.

** Not Illustrated

Armor Frame Kickback For A-2 Pinsetters On Truss Foundation



**Armor Frame Kickback
For A-2 Pinsetters On Truss Foundation**

Index

No.	Part No.	Description
1.	N.A.	Filler Block
2.	N.A.	Sltd. Flat Hd. Wood Screw (#14 x 2-1/2")
3.	21-088675-000	Front Fibre Plate (33" x 15" x 3/16") - Pre drilled
4.	21-088674-000	Rear Fibre Plate (21-3/4" x 19" x 3/16") - Pre drilled
5.	N.A.	#13 x 3/4" Nail (Lb.)
6.	N.A.	Cleat
7.	52-200076-000	N.A. Fill
8.	11-900107-000	N.A. #8D Nail (Lb.)
9.	N.A.	Sltd. Flat Hd. Wood Screw (#14 x 2-3/4")
10.	**11-070063-001	N.A. Hex Hd. Lag Screw (3/8-7 x 1-3/4")
11.	21-204312-000	N.A. Top Plate
12.	N.A.	Maple Fill Strip
13.	N.A.	Trim Panel
14.	N.A.	Nail (Pkg. of 50)
15.	52-200075-000	N.A. Spacer
16.	N.A.	Retaining Angle
17.	**52-200043-000	N.A. Fill Block
18.	11-170011-001	Self Locking Nut (3/8-16)
19.	**52-200046-000	N.A. Front Floor Bracket
20.	11-001347-001	Hex Hd. Cap Screw (3/8-16 x 1-3/8")
21.	11-191014-001	Flat Washer (3/8)
22.	11-040635-001	N.A. Sltd. Flat Hd. Wood Screw (#12 x 3-1/2")
23.	N.A.	Wood Insert w/o Plate
	52-200054-000	Insert w/Plate - Double
	N.A.	Insert w/Plate - Single R.H.
	N.A.	Insert w/Plate - Single L.H.
24.	N.A.	Hex Hd. Cap Screw (5/16-18 x 9/16")
25.	11-195015-001	Lockwasher (5/16)
26.	**11-015365-001	N.A. Sems Hex Hd. Cap Screw (5/16-18 x 5/8")
27.	**11-191012-001	Flat Washer (5/16)
28.	52-200041-000	Tie Strap
29.	*52-200005-002	R.H. Kickback Plate (16 x 40) (7 Pin Side)
	*52-200005-004	L.H. Kickback Plate (16 x 40) (10 Pin Side)
30.	N.A.	Frame Assembly w/o Insert
31.	52-860055-002	Fill Blocks w/Hardware (includes items 10, 17, 18, 19, 26, 27)

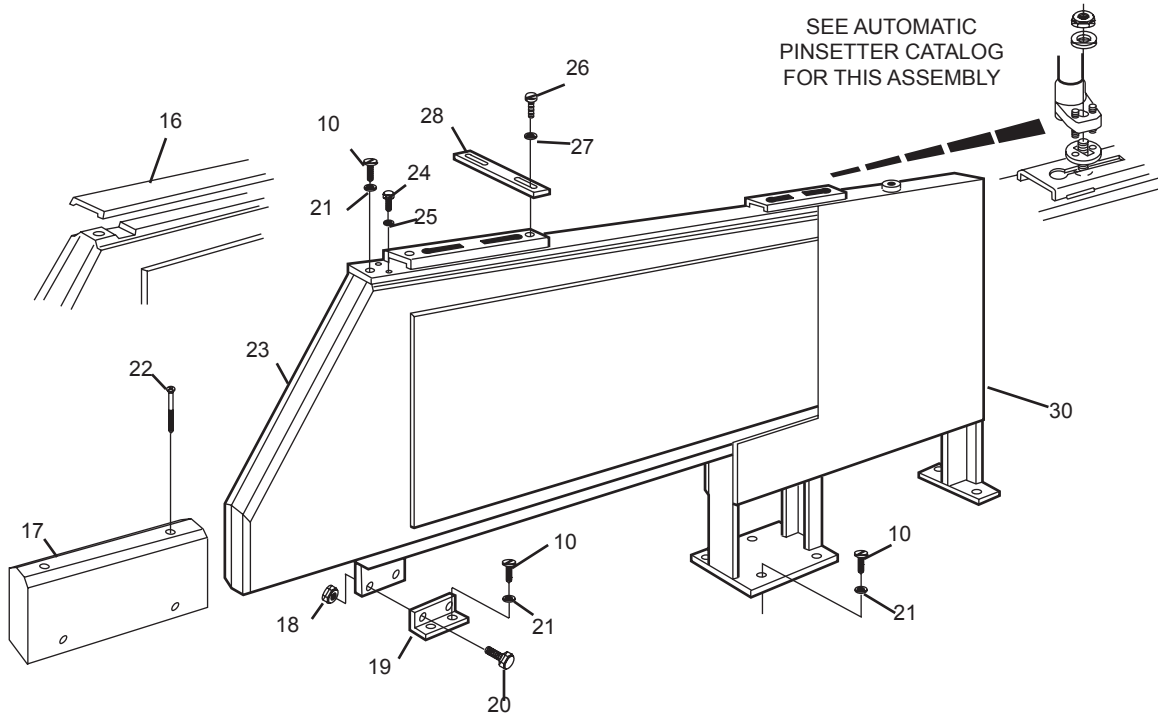
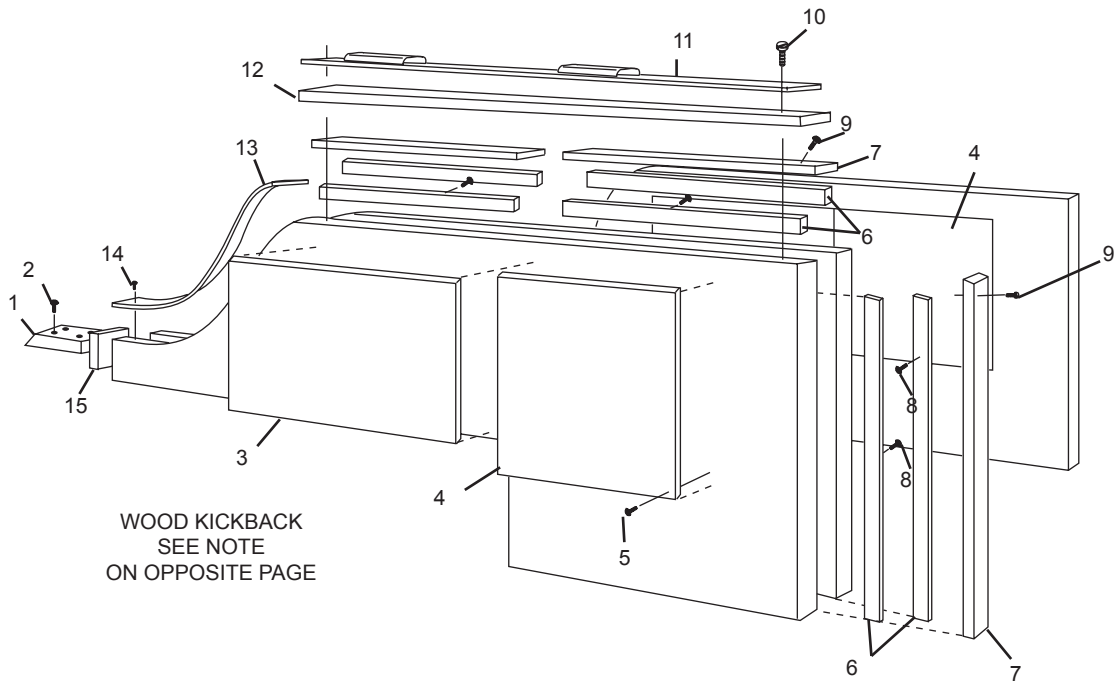
N.A. = No Longer Available

R.O. = Replacement Option

* Use cement 11-676047-000 and nails 15-603401-000

** For replacement option, see index No. 31.

Wood & Armor Frame Kickbacks For A-2 Pinsetters



Wood & Armor Frame Kickbacks For A-2 Pinsetters

Intentionally Blank Page

Section D

**CAPPING - UOS/VOS/PVC
& Gutters - ABS/PVC**

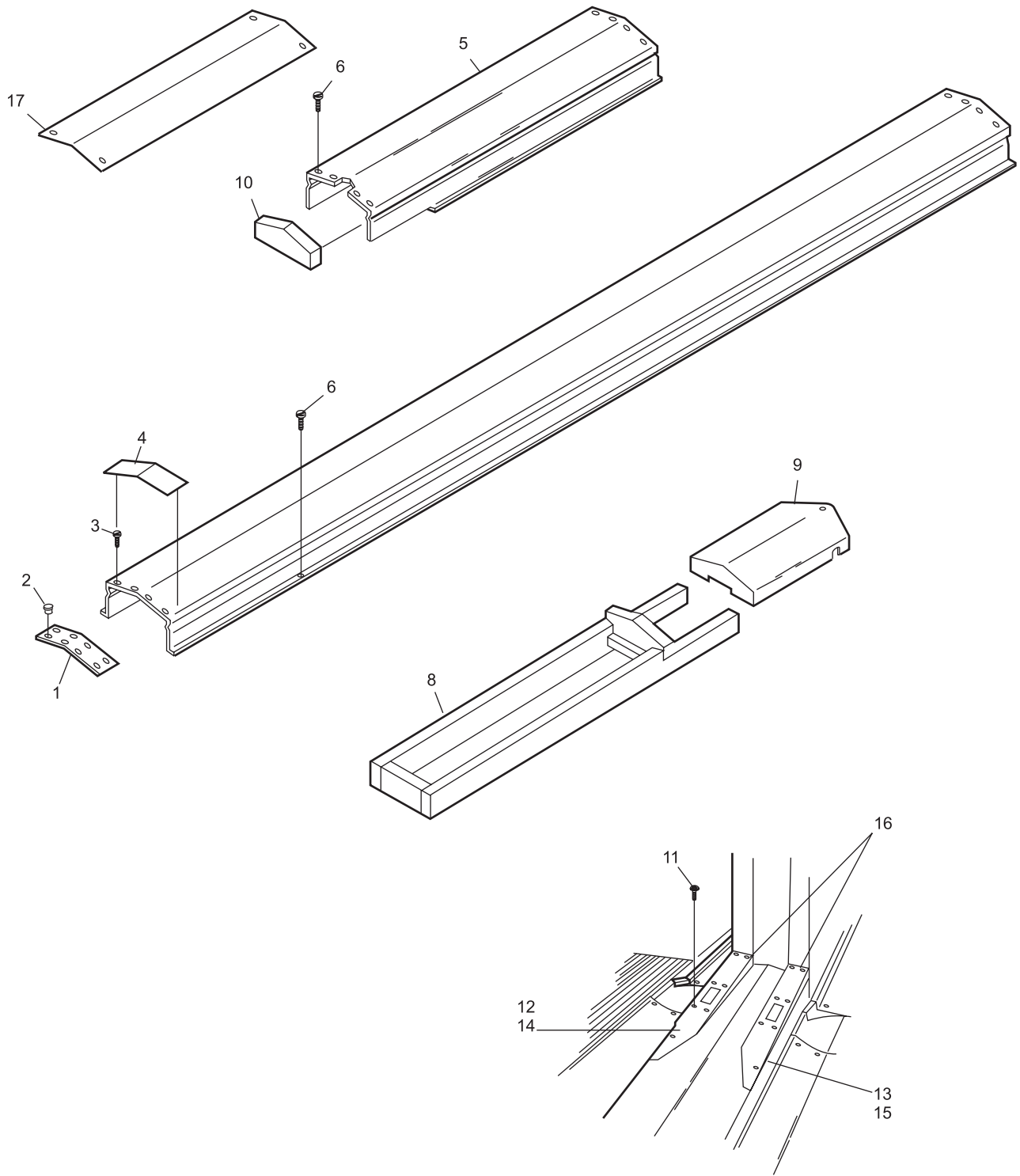
Index

No.	Part No.		Description
1.	84-200108-002	N.A.	Return Capping Coupler
2.	52-100207-000	N.A.	Grommet Nut
3.	11-086365-003		C.R. Flat Hd. Tapping Screw (#8-18 x 3/4")
4.	84-200124-000	N.A.	Vinyl Tape (2" x 17") (Brown)
	53-400239-200	N.A.	Polyester Tape (Reno Blue)
5.	N.A.		V.O.S. Return Capping w/Hardware (10-1/2") (Dark Gray)
	N.A.		U.O.S. Return Capping (10-1/2") (Dark Gray)
6.	N.A.		C.R. Flat Hd. Wood Screw (#8-15 x 3/4")
7.	*N.A.		V.O.S. Return Capping (10-1/2") (Brown)
	N.A.		U.O.S. Return Capping (10-1/2") (Brown)
8.	N.A.		Return Tel-E-Foul Mount
9.	N.A.		Cover w/Lens ("2000" Brown)
10.	N.A.		Return Mount
11.	N.A.		Flat Hd. Self Tapping Screw (#10 x 2-1/4")
12.	N.A.		L.H. Return Capping Nose Block (GS-10 Pinsetter Only)
13.	N.A.		R.H. Return Capping Nose Block (GS-10 Pinsetter Only)
14.	N.A.		L.H. Return Capping Nose Block and Label Assembly (GS-92 Pinsetter Only)
	84-200181-200		L.H. Return Capping Nose Block (Reno Blue)
15.	84-200182-000		R.H. Return Capping Nose Block and Label Assembly (GS-92 Pinsetter Only)
	N.A.		R.H. Return Capping Nose Block (Reno Blue)
16.	N.A.		"Danger" Label Only
17.	17-860784-000	N.A.	Return Capping Cover (Brown)
	17-860786-000	N.A.	Return Capping Cover (Gray)

N.A. = No Longer Available

* Not Illustrated

New Style V.O.S./O.U.S Subway Return Capping



FOR GS-10 PINSETTERS ONLY

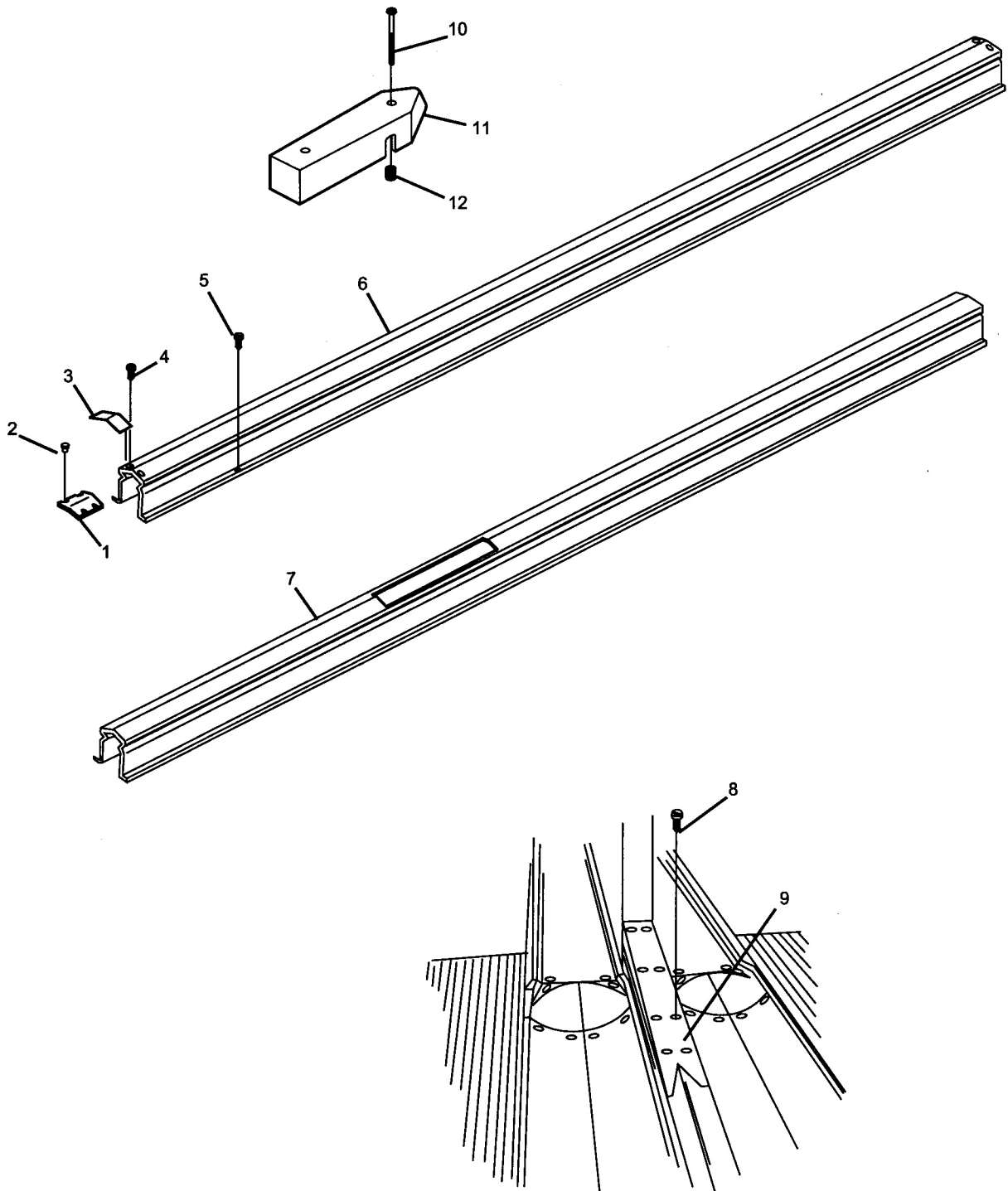
New Style V.O.S./O.U.S Subway Return Capping

Index

No.	Part No.		Description
1.	N.A.		Division Capping Coupler
2.	52-100207-000	N.A.	Grommet
3.	84-200125-000	N.A.	Vinyl Tape (2" x 9") (White)
4.	N.A.		C.R. Flat Hd. Tapping Screw (#8-18 x 3/4")
5.	N.A.		C.R. Flat Hd. Wood Screw (#8-15 x 3/4")
6.	N.A.		V.O.S. Division Capping (120") (White)
	84-860472-000	N.A.	U.O.S. Division Capping (120") (White) - Pkg. of 6
7.	N.A.		V.O.S. Division Capping w/Notch
	53-400244-000	N.A.	Division Capping w/Notch (Lt. Gray)
	N.A.		U.O.S. Division Capping w/Notch (Lt. Gray)
8.	N.A.		Flat Hd. Self Tapping Screw (#10 x 2-1/4")
9.	84-200095-000	N.A.	Division Capping Nose Block (GS-10 Pinsetter Only)
	N.A.		Division Capping Nose Block (Lt. Gray)
	N.A.		Division Capping Nose Block (Reno Blue)
10.	11-026300-004		C.R. Oval Hd. Screw (1/4-20 x 3-1/2")
11.	53-600163-000	N.A.	Cover Division Tel-E-Foul
12.	11-095008-000		Tap Lock Insert

N.A. = No Longer Available

New Style V.O.S./U.O.S. Division Capping



FOR GS-10 PINSETTERS ONLY

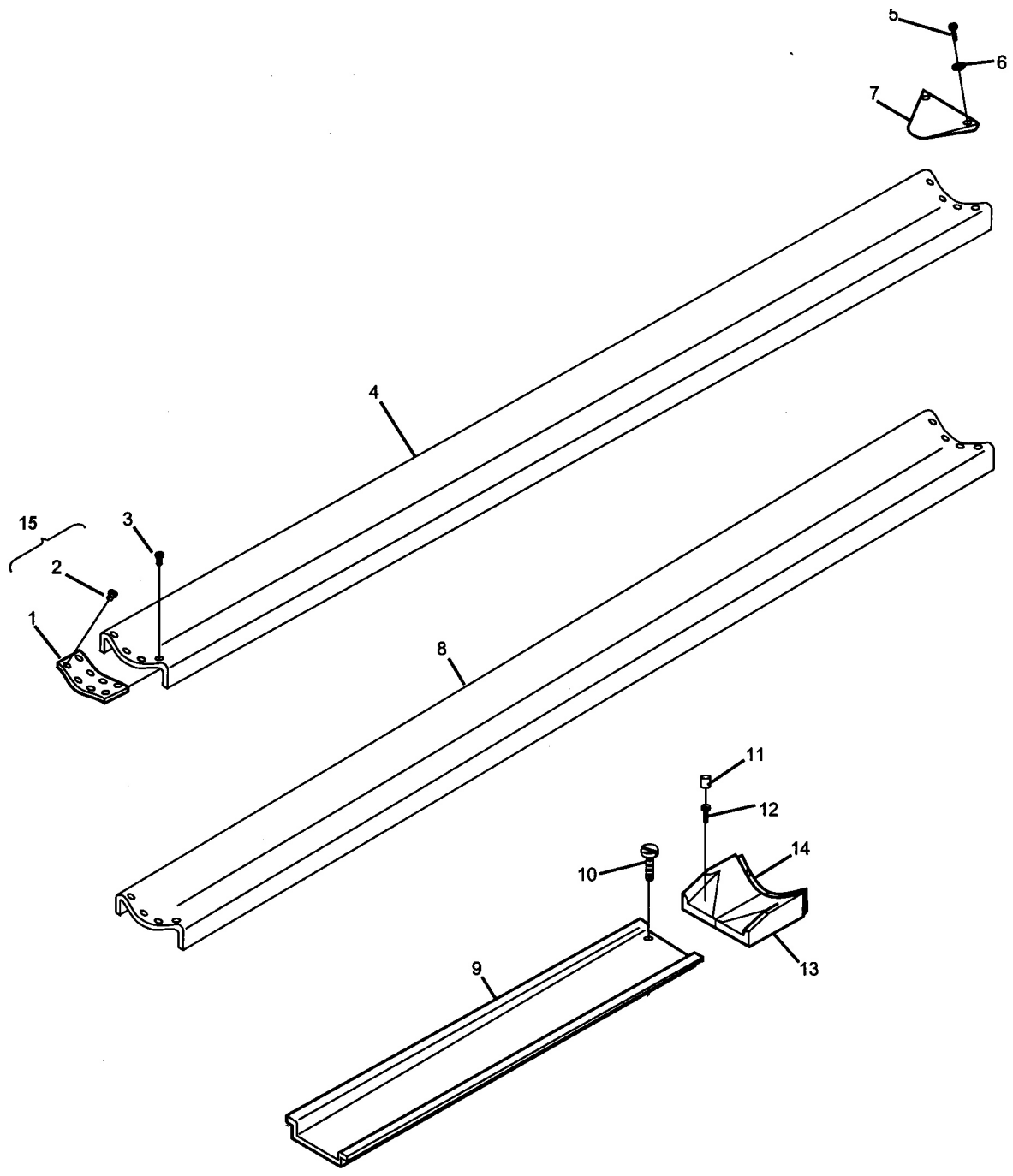
New Style V.O.S./U.O.S. Division Capping

Index

No.	Part No.	Description
1.	N.A.	Gutter Coupler (w/o Grommets)
2.	52-100207-000	N.A. Grommet
3.	11-086365-003	C.R. Flat Hd. Tapping Screw (#8-18 x 3/4")
4.	N.A.	U.O.S. Gutter (120") (Brown)
	N.A.	V.O.S. Gutter (120") (Brown)
5.	11-086367-001	C. R. Flat Hd. Tapping Screw (#8 x 1")
6.	11-199503-003	N.A. Countersunk Lockwasher
7.	84-200118-000	N.A. Header Block Rubber
8.	84-300099-004	N.A. U.O.S. Notched Gutter (Gray)
	N.A.	V.O.S. Gutter (Lt. Gray)
9.	84-860504-000	Poly Propylene Flat Gutter (1")
10.	11-084613-001	C.R. Flat Hd. Tapping Screw (#14 x 2-1/2")
11.	52-100203-000	Maple Dowel (1/2" x 1" Dia.)
12.	N.A.	C.R. Flat Hd. Screw (#12 x 1-3/4")
13.	84-200117-002	Gutter Adapter Block - left side
14.	84-200117-003	Gutter Adapter Block - right side
15.	N.A.	Gutter Coupler Assy. (w/Grommets)

N.A. = No Longer Available

**New Style V.O.S./U.O.S. "V" Gutters
And One Piece Flat Gutter**



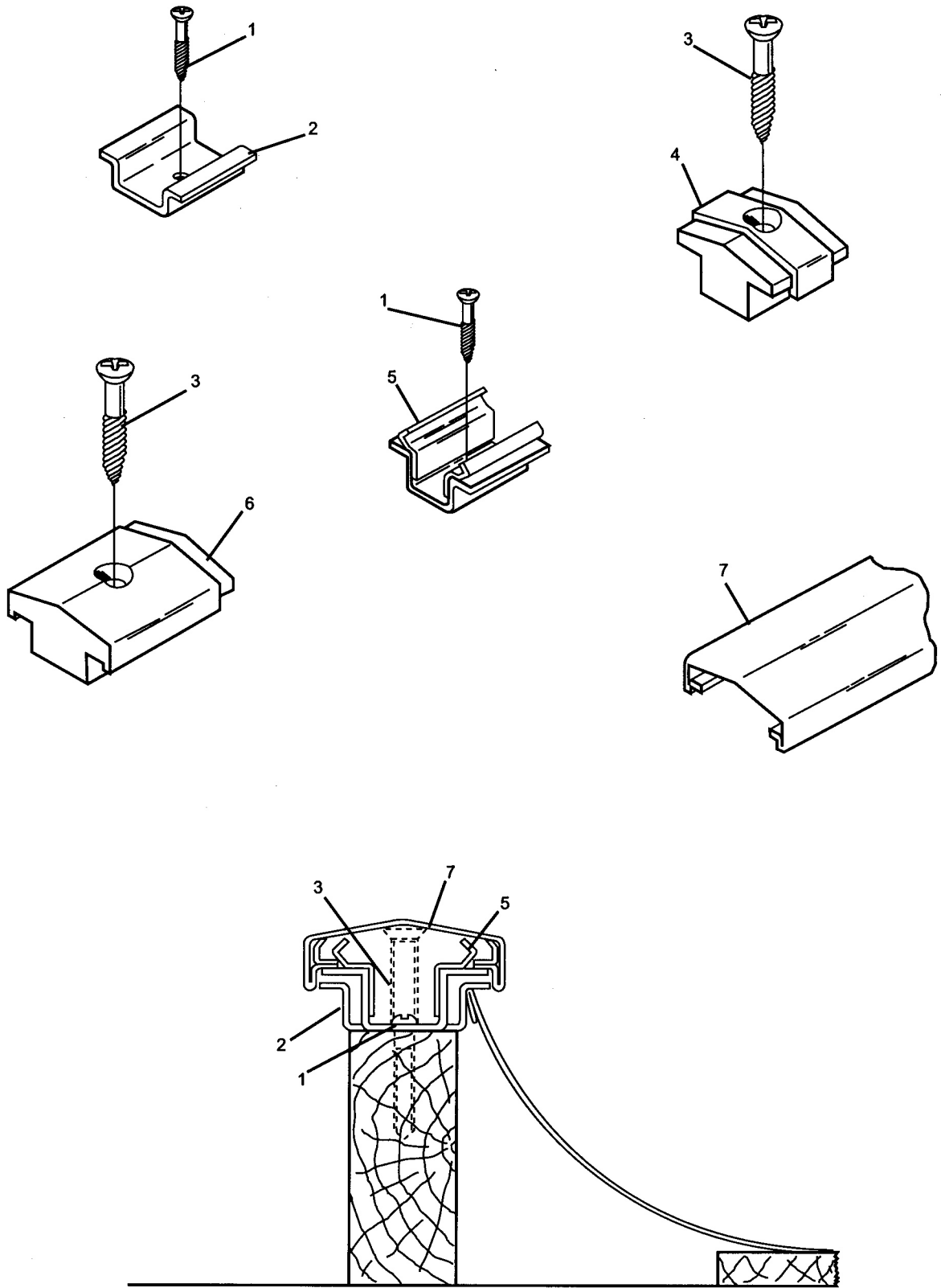
**New Style V.O.S./U.O.S. "V" Gutters
And One Piece Flat Gutter**

Index

No.	Part No.		Description
1.	11-042607-001	N.A.	Rd. Hd. Wood Screw (#14 x 1-1/4")
2.	53-520396-000	N.A.	Gutter Support Bracket
3.	11-043164-002	N.A.	Oval Hd. Wood Screw (#16 x 3")
	11-043164-001	R.O.	Oval Hd. Wood Screw - Zinc (#16 x 3")
4.	53-520394-000		Inline Coupling
5.	53-520397-000		Hold Down Bracket
6.	53-520394-002		End Coupling
7.	N.A.		Division Capping (White)

N.A. = No Longer Available

R.O. = Replacement Option



Old Style V.O.S. Division Capping

Index No.	Part No.	Description
1.	11-043164-001	C. R. Oval Hd. Wood Screw (#16 x 3")
2.	N.A.	End Coupling (10-1/2") - Gray
	53-520318-010	End Coupling (10-1/2") - Brown
	N.A.	End Coupling (9-1/2") - Gray
	N.A.	End Coupling (9-1/2") - Brown
3.	N.A.	Intermediate (10-1/2") - Gray
	N.A.	Intermediate (10-1/2") - Brown
	N.A.	Intermediate (9-1/2") - Gray
	N.A.	Intermediate (9-1/2") - Brown
4.	**N.A.	Approach (10-1/2") - Gray
	**N.A.	Approach (10-1/2") - Brown
	**N.A.	Approach (9-1/2") - Gray
	**N.A.	Approach (9-1/2") - Brown
5.	**N.A.	Cover Assembly - Gray
	**N.A.	Cover Assembly - Brown
6.	N.A.	Inline Coupling (10-1/2") - Gray
	53-520317-010	Inline Coupling (10-1/2") - Brown
	N.A.	Inline Coupling (9-1/2") - Gray
	53-520357-010	Inline Coupling (9-1/2") - Brown
7.	N.A.	Skin Adapter (10-1/2") - Gray
	N.A.	Skin Adapter (10-1/2") - Brown
	N.A.	Skin Adapter (9-1/2") - Gray
	N.A.	Skin Adapter (9-1/2") - Brown
8.	53-520313-000	N.A. Gutter Strap (10-1/2")
	53-520346-000	N.A. Gutter Strap (9-1/2")
9.	11-082604-001	N.A. Self Tapping C.R. Pan Hd. Screw (1/4 x 1-3/4")
10.	N.A.	Scanner w/Holes (10-1/2") - Gray
	N.A.	Scanner w/Holes (10-1/2") - Brown
	N.A.	Scanner w/Holes (9-1/2") - Gray
	N.A.	Scanner w/Holes (9-1/2") - Brown
11.	N.A.	Scanner w/o Holes (10-1/2") - Gray
	N.A.	Scanner w/o Holes (10-1/2") - Brown
	N.A.	Scanner w/o Holes (9-1/2") - Gray
	N.A.	Scanner w/o Holes (9-1/2") - Brown
12.	N.A.	Gutter Adapter
13.	N.A.	Countersunk Pop Rivet (1/8)
14.	*N.A.	Wood Header Block
	84-200603-000	N.A. Header Block
15.	N.A.	VOS Gutter (11'10") - Lap Joint Only
16.	52-100061-000	N.A. Wire Hook
17.	52-100064-000	N.A. Cork Shim

ADAPTER BLOCK

18.	N.A.	R.H. Outside - Charcoal Gray
	52-100020-600	R.H. Outside - "2000" Brown
19.	N.A.	L.H. Outside - Charcoal Gray
	52-100021-600	L.H. Outside - "2000" Brown
20.	**N.A.	R.H. Inside - Charcoal Gray
	**N.A.	R.H. Inside - "2000" Brown
21.	N.A.	L.H. Inside - Charcoal Gray
	N.A.	L.H. Inside - "2000" Brown
22.	52-100073-000	N.A. Gutter Trim
23.	N.A.	VOS Gutter (11'9") - Charcoal Gray
	N.A.	VOS Gutter (11'9") - "2000" Brown
24.	11-086365-003	N.A. Self Tapping C.R. Flat Hd. Screw (#8 x 3/4")
25.	N.A.	Inside Gutter Coupler - Charcoal Gray
	52-100067-010	N.A. Inside Gutter Coupler - "2000" Brown
26.	52-100068-000	Outside Gutter Coupler
27.	52-100207-000	N.A. Grommet Nut
28.	11-199503-003	N.A. Countersunk Lockwasher (#8)
29.	84-200603-000	N.A. Header Block
	84-200644-000	R.O. Header Block
30.	**11-676027-000	N.A. Cement (Pint)
31.	**11-676047-000	N.A. Cement (Gallon)
32.	**N.A.	VOS Modification Kit
33.	**N.A.	#13 x 3/4" Nail (Lb.)

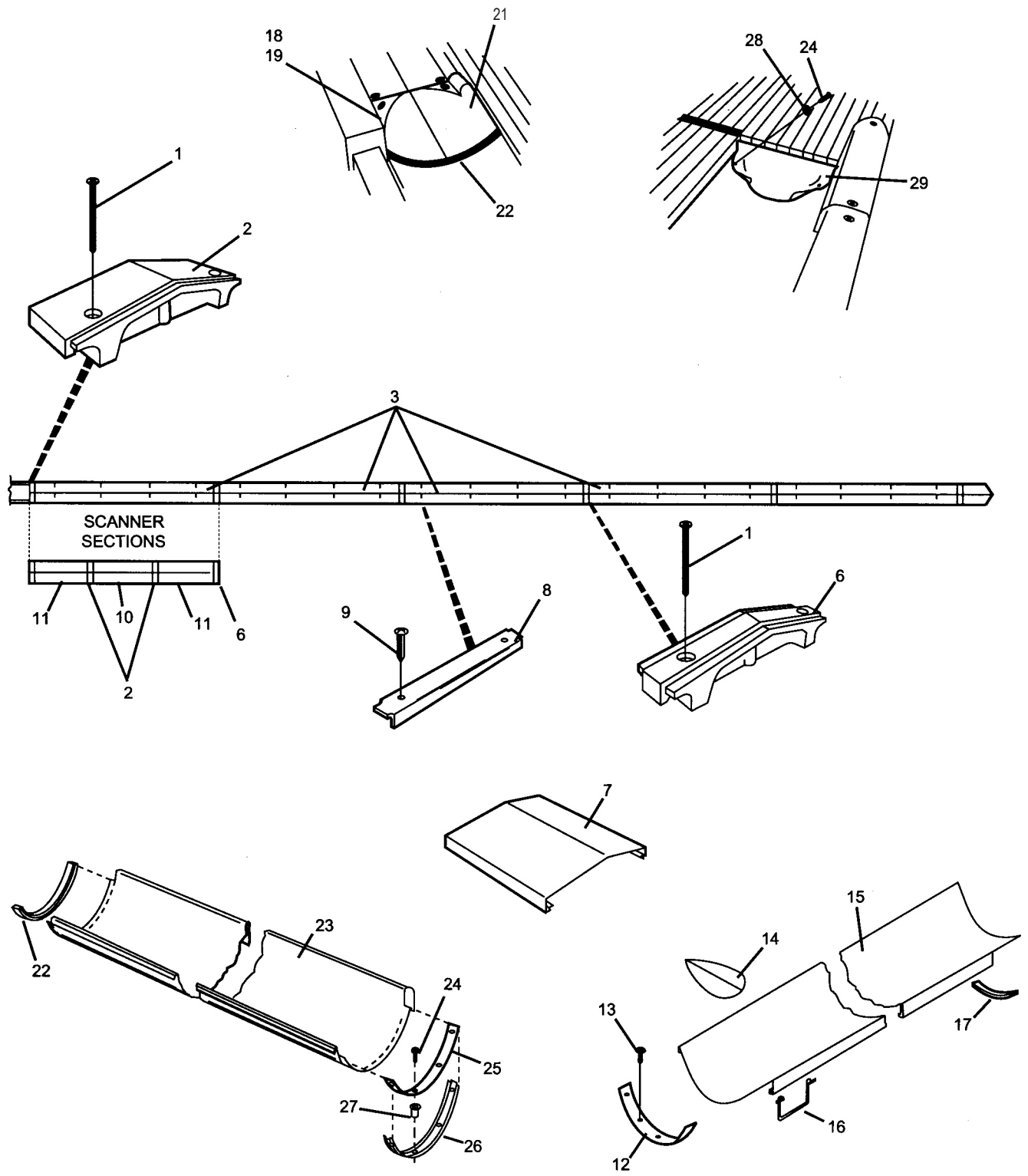
N.A. = No Longer Available

R.O. = Replacement Option

* 84-200603-000 Rubber Header Block must be used in place of the wood style block. Use 2 each 11-086365-003 Screws and 2 each Countersunk Lockwashers #8 type, to secure Rubber Block to VOS Gutter. Use the Block as a template to locate and drill two .128" diameter holes in gutter.

** Not Illustrated

V.O.S. Round Gutters & Subway Return VOS Capping



V.O.S. Round Gutters &
Subway Return VOS Capping

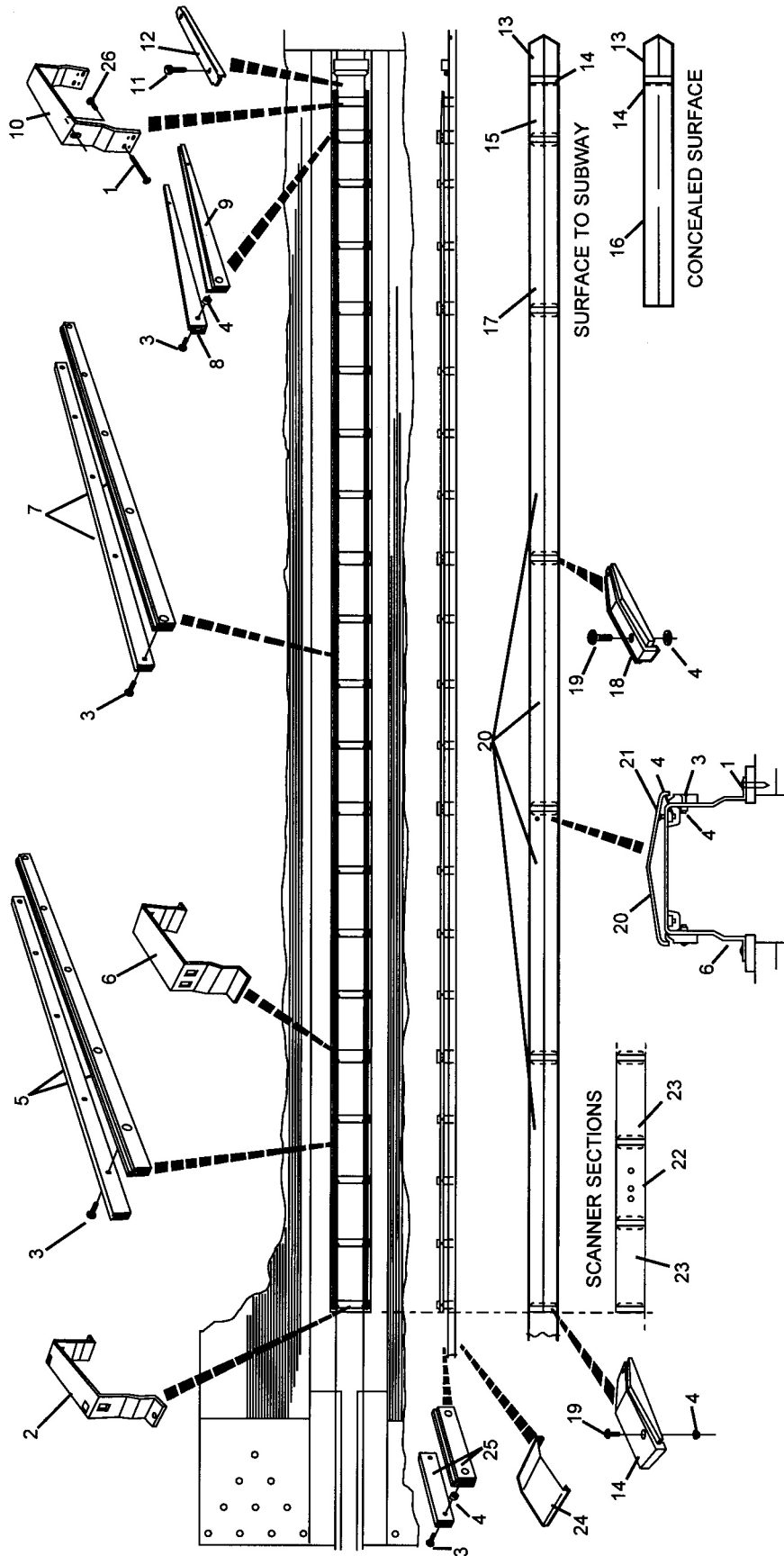
Index

No.	Part No.		Description
1.	11-042607-001	N.A.	C. R. Rd. Hd. Wood Screw (#14 x 1-1/4")
2.	53-520364-000	N.A.	Intermediate Support Bracket (10-1/2")
	53-520349-000		Intermediate Support Bracket (9-1/2")
3.	11-014152-002		C.R. Flat Hd. Machine Screw (1/4-20 x 1-1/4")
4.	11-179026-000	N.A.	Grip Nut (1/4-20)
5.	N.A.		Side Rail (134") - Gray (10-1/2")
	N.A.		Side Rail (134") - Brown (10-1/2")
	N.A.		Side Rail (134") - Gray (9-1/2")
	N.A.		Side Rail (134") - Brown (9-1/2")
6.	N.A.		Coupling Support Bracket (10-1/2")
	N.A.		Coupling Support Bracket (9-1/2")
7.	N.A.		Side Rail (129") - Gray (10-1/2")
	N.A.		Side Rail (129") - Brown (10-1/2")
	N.A.		Side Rail (129") - Gray (9-1/2")
	N.A.		Side Rail (129") - Brown (9-1/2")
8.	N.A.		Tapered Side Rail - Gray (10-1/2")
	N.A.		Tapered Side Rail - Brown (10-1/2")
	N.A.		Tapered Side Rail - Gray (9-1/2")
	N.A.		Tapered Side Rail - Brown (9-1/2")
9.	N.A.		Tapered Side Rail - Gray (10-1/2")
	N.A.		Tapered Side Rail - Brown (10-1/2")
	N.A.		Tapered Side Rail - Gray (9-1/2")
	N.A.		Tapered Side Rail - Brown (9-1/2")
10.	N.A.		Front Support Bracket (10-1/2")
	N.A.		Front Support Bracket (9-1/2")
11.	11-082604-001	N.A.	Self Tapping C.R. Pan Hd. Screw (1/4 x 1-3/4")
12.	53-520313-000	N.A.	Gutter Strap (10-1/2")
	53-520346-000	N.A.	Gutter Strap (9-1/2")
13.	N.A.		Cover Assembly - Gray
	N.A.		Cover Assembly - Brown
14.	N.A.		End Coupling - Gray (10-1/2")
	N.A.		End Coupling - Brown (10-1/2")
	N.A.		End Coupling - Gray (9-1/2")
	N.A.		End Coupling - Brown (9-1/2")
15.	N.A.		Approach Capping - Gray (10-1/2")
	N.A.		Approach Capping - Brown (10-1/2")
	N.A.		Approach Capping - Gray (9-1/2")
	N.A.		Approach Capping - Brown (9-1/2")
16.	N.A.		Approach Capping - Gray (10-1/2")
	N.A.		Approach Capping - Brown (10-1/2")
	N.A.		Approach Capping - Gray (9-1/2")
	N.A.		Approach Capping - Brown (9-1/2")
17.	N.A.		Intermediate (85") - Gray (10-1/2")
	N.A.		Intermediate (85") - Brown (10-1/2")
	N.A.		Intermediate (85") - Gray (9-1/2")
	N.A.		Intermediate (85") - Brown (9-1/2")
18.	N.A.		Inline Coupling - Gray (10-1/2")
	53-520370-010	N.A.	Inline Coupling - Brown (10-1/2")
	N.A.		Inline Coupling - Gray (9-1/2")
	53-520357-010	N.A.	Inline Coupling - Brown (9-1/2")
19.	11-026289-011	N.A.	C.R. Oval Hd. Machine Screw (1/4-20 x 1")
20.	N.A.		Intermediate (128") - Gray (10-1/2")
	N.A.		Intermediate (128") - Brown (10-1/2")
	N.A.		Intermediate (128") - Gray (9-1/2")
	N.A.		Intermediate (128") - Brown (9-1/2")
21.	N.A.		C.R. Oval Hd. Machine Screw (1/4-20 x 1-1/4")
22.	N.A.		Scanner w/Holes - Gray (10-1/2")
	N.A.		Scanner w/Holes - Brown (10-1/2")
	N.A.		Scanner w/Holes - Gray (9-1/2")
	N.A.		Scanner w/Holes - Brown (9-1/2")
23.	N.A.		Scanner w/o Holes - Gray (10-1/2")
	N.A.		Scanner w/o Holes - Brown (10-1/2")
	N.A.		Scanner w/o Holes - Gray (9-1/2")
	N.A.		Scanner w/o Holes - Brown (9-1/2")
24.	N.A.		Skin Adapter - Gray (10-1/2")
	N.A.		Skin Adapter - Brown (10-1/2")
	N.A.		Skin Adapter - Gray (9-1/2")
	N.A.		Skin Adapter - Brown (9-1/2")
25.	N.A.		Side Rail (8-1/2") - Gray (10-1/2")
	N.A.		Side Rail (8-1/2") - Brown (10-1/2")
	N.A.		Side Rail (8-1/2") - Gray (9-1/2")
	N.A.		Side Rail (8-1/2") - Brown (9-1/2")
26.	11-082092-001		Self Tapping C.R. Rd. Hd. Screw (#10 x 1/2")

N.A. = No Longer Available

NOTE: Surface to subway capping is notched.

**V.O.S./U.O.S. Capping For Surface To Subway
& Concealed Surface**



V.O.S./U.O.S. Capping For Surface To Subway
& Concealed Surface

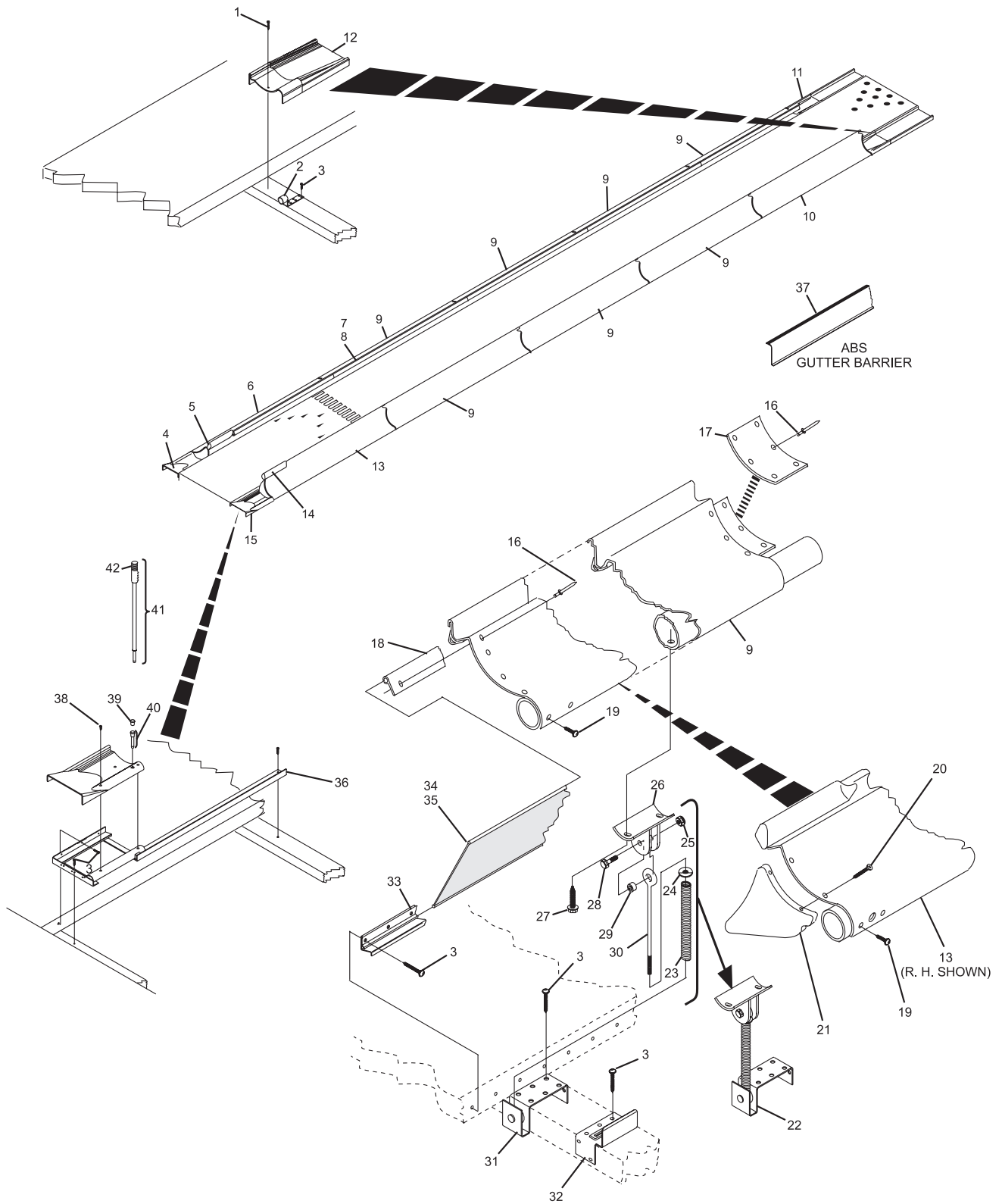
Index

No.	Part No.	Description
1.	11-081202-000	Robertson Drive Screw (#1/4-10 x 3-1/2")
2.	17-300141-000	N.A. End Pivot
3.	11-081205-000	AB Robertson Screw #10-32 x 1-3/4"
4.	17-300177-000	L.H. Header Section (Black)
5.	17-300164-000	L.H. Corner Protector
6.	17-300154-000	N.A. L.H. #1 Gutter Assembly
7.	11-676149-000	N.A. Glue for 45' Bumper Cushion - 100 Grams
8.	17-300179-020	N.A. Bumper Cushion
9.	17-300155-000	N.A. Intermediate Gutter Assembly
10.	17-300157-000	N.A. R.H. Pit End Gutter Assembly
11.	17-300175-000	N.A. L.H. Transition
12.	17-300174-000	N.A. R.H. Transition
13.	17-300156-000	N.A. R.H. #1 Gutter Assembly
14.	17-300167-000	R.H. Corner Protector
15.	17-300176-000	N.A. R.H. Header Section (Black)
16.	11-293513-000	N.A. Stainless Steel Rivets - Black (1/8" x 3/8")
17.	17-300132-000	N.A. Gutter Coupler
18.	17-300135-000	Curtain Extrusion
19.	11-081206-000	Truss Hd. Cutting Screw (#10 x 5/8")
20.	11-086369-001	F.H.C.R. Screw (#8-18 x 1-1/2")
21.	17-300181-000	Foul Line End Cap
22.	17-300150-000	N.A. Pivot Bracket Assembly
23.	N.A.	Spring
24.	11-190010-001	Flat Washer (1/4)
25.	11-170007-001	Hex. Nut (#1/4" x 20)
26.	N.A.	Lever
27.	11-010907-001	Self-Tapping HSMS (#14 x 3/4")
28.	11-001184-001	Hex. Hd. Screw (1/4"-20 x 1")
29.	17-300068-000	N.A. Spacer
30.	N.A.	Spring Rod
31.	17-300126-000	N.A. Pivot Bracket w/Pivot
32.	17-300122-001	N.A. Hinge Bracket
33.	17-300193-000	N.A. Gutter Support
34.	17-300078-000	Graphic Curtain (pair) - Characters
	17-300076-002	N.A. L.H. Graphic Curtain (Rainbow)
	17-300076-003	Graphic Curtain (Black)
	17-300076-004	N.A. Blank White Curtain (No Graphic)
	17-300076-005	N.A. R.H. Graphic Curtain (Rainbow)
35.	17-300182-000	N.A. Small Ball (4-3/4") Graphic Curtain (Black Only)
36.	17-300186-000	N.A. R.H Header Bracket Assembly
	*17-300183-000	N.A. L.H. Header Bracket Assembly
37.	84-860564-000	Division Capping Barrier - ABS Gutters only
38.	11-014061-009	N.A. C.R. Screw (#8-32 x 5/16")
39.	17-300189-002	Grip
40.	17-300189-000	Pin Assembly
41.	17-300093-000	N.A. Rod Assembly
42.	17-300093-001	N.A. Rod Grip

N.A. = No Longer Available

* Not Illustrated

ABS Gutters/Ball Wall - Manual Configuration



ABS Gutters/Ball Wall - Manual Configuration

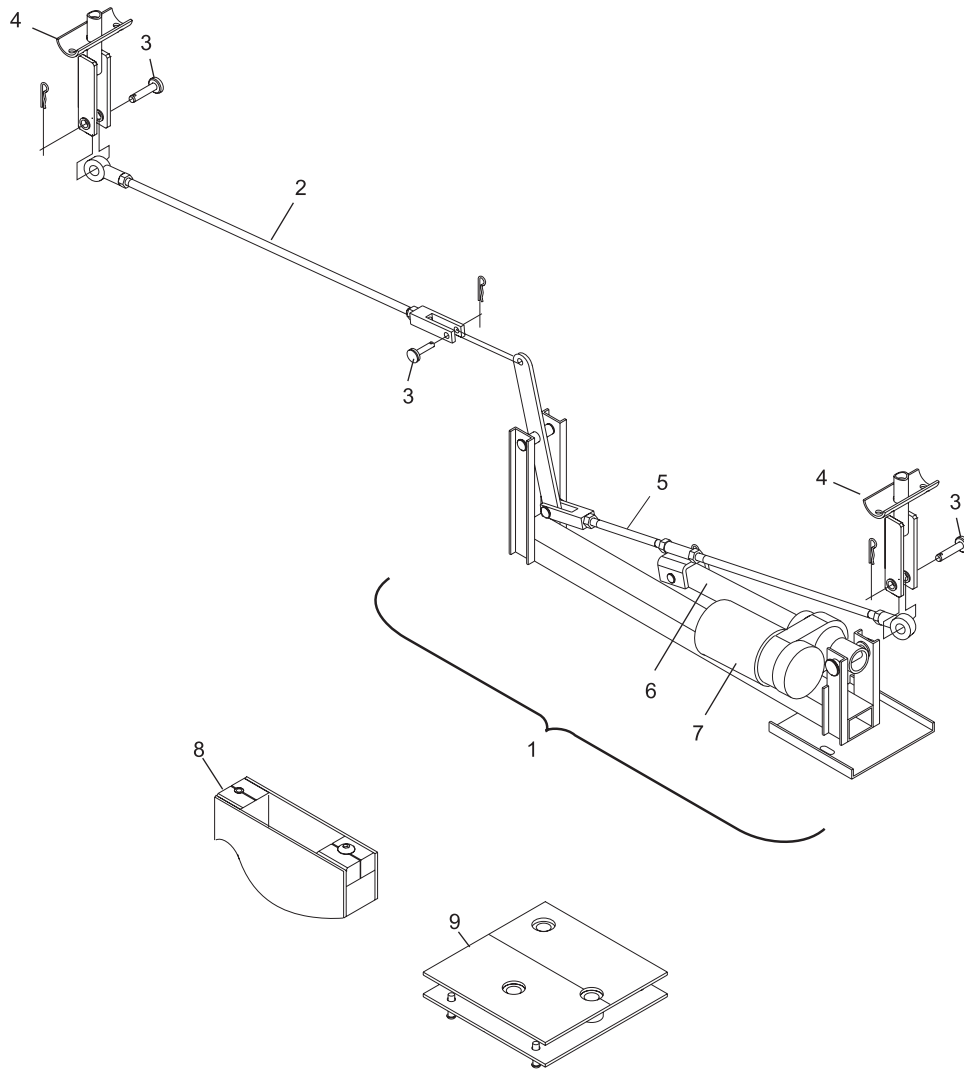
Index

No.	Part No.		Description
1.	17-300224-115	N.A.	Actuator Assembly - 115VAC
	17-860781-115	R.O.	Ball Wall Motor Assembly - 115VAC
	17-300224-230	N.A.	Actuator Assembly - 230VAC
	17-860781-230	R.O.	Ball Wall Motor Assembly - 230VAC
2.	17-300216-000		L.H. Connecting Link Assembly
3.	17-300245-000	N.A.	Clevis Pin
4.	17-300264-000	N.A.	Gutter Pivot Assembly
5.	17-300210-000	R.H.	Connecting Link Assembly
6.	17-860780-000	N.A.	Sleeve
7.	17-860781-115		Motor - 115 VAC
	17-860781-230		Motor - 230 VAC
8.	N.A.		Gutter Drill Jig
9.	N.A.		Concrete Drill Jig

N.A. = No Longer Available

R.O. = Replacement Option

ABS Gutters/Ball Wall - Automated Bumper System



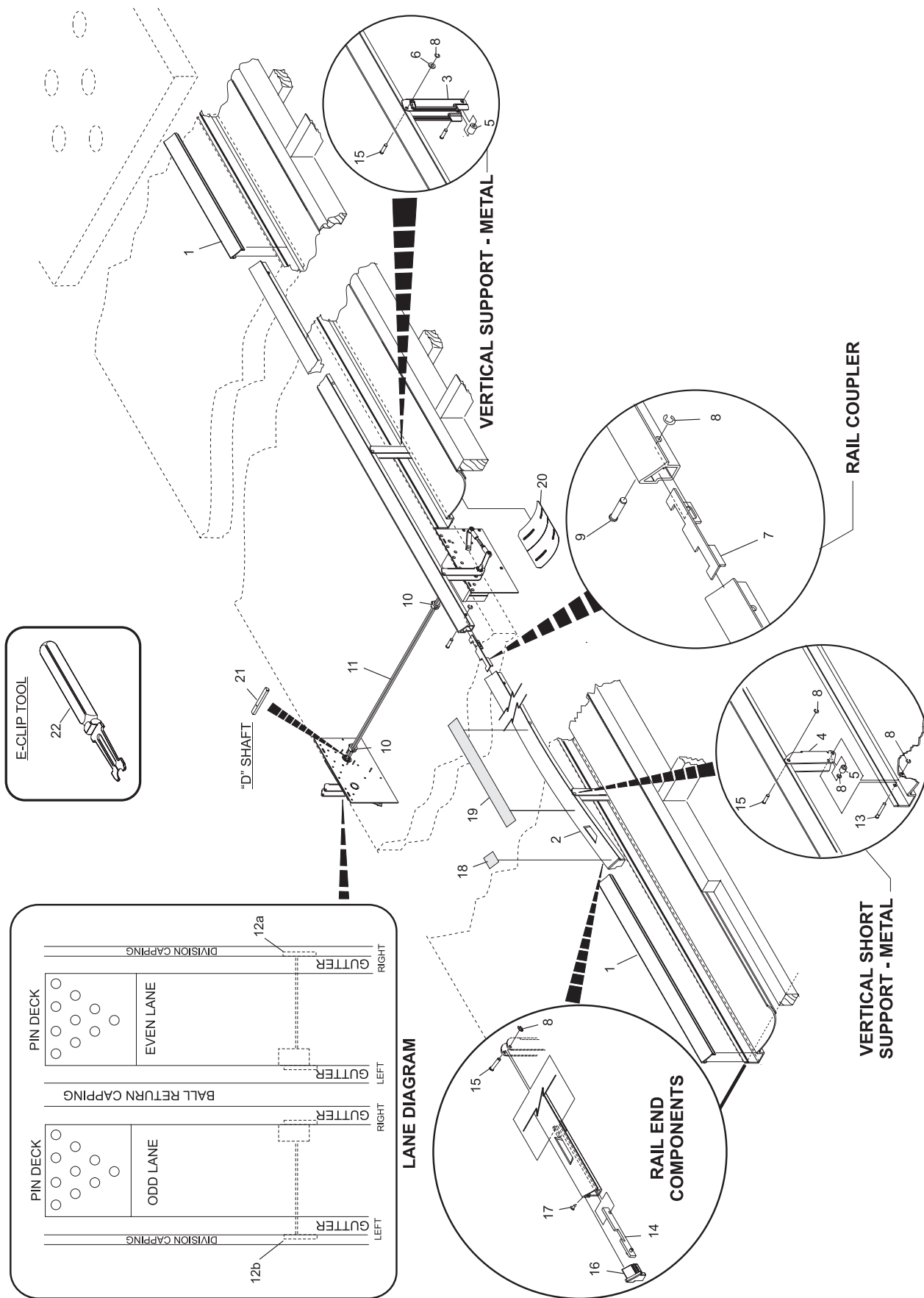
ABS Gutters/Ball Wall - Automated Bumper System

Index

No.	Part No.	Description
1.	84-200465-xxx	Cosmetic Cover (31.25")
2.	84-860689-000	N.A. Pkg. Rails Vertical Support and Hardware - Foul End
	84-200452-xxx	L.H. Foul End Rail
	84-200453-xxx	R.H. Foul End Rail
	84-200451-xxx	L.H. & R.H. Common Rail
	84-200478-xxx	L.H. Pinsetter End Rail
	84-200479-xxx	R.H. Pinsetter End Rail
3.	84-860719-000	Pkg of 28 - Metal Vertical Support w/Washers and Rubber Bushings
	84-860454-001	Vertical Support - Lexan (right side of lane)
	84-200454-002	Vertical Support - Lexan (left side of lane)
4.	84-860733-000	Short Vertical (first) Support Pkg. (lane pair)
5.	84-200487-000	Noise Reducing Bushing
6.	11-190509-001	Flat Washer
7.	84-200457-000	Rail Coupler
8.	11-537050-000	Retaining Ring
9.	84-200458-003	Rail Coupler Pin (1-1/16" length)
10.	84-200542-000	Shaft Collar PBW I
11.	84-200515-000	Cross Lane Link PBW I
12a.	84-860645-001	Driven Pivot Assembly w/o Motor (right-hand side of even lane) PBW I
12b.	84-860645-002	Driven Pivot Assembly w/o Motor (left-hand side of odd lane) PBW I
13.	84-200459-000	Gutter Arm Pin (2" length)
14.	84-200460-000	End Rail Insert
15.	84-200458-001	Rail Arm Pin (1-1/4" length)
16.	84-200463-001	R.H. Rail Plug (Pkg. of 10)
	84-200463-002	L.H. Rail Plug (Pkg. of 10)
17.	11-082390-000	N.A. Screw (#8-18 x 1/2")
18.	84-200488-xxx	Safety Warning Label 2
19.	11-682561-000	Safety Warning Label 1 - Call for details in language
20.	84-200462-000	Gutter Coupler
21.	84-200513-000	"D" Shaft (non-pivot side)
22.	84-200472-000	E-Clip Installation Tool

N.A. = No Longer Available

Part No.Suffix	Color
-000	BLACK
-100	DARK GRAY
-142	MEDIUM GRAY

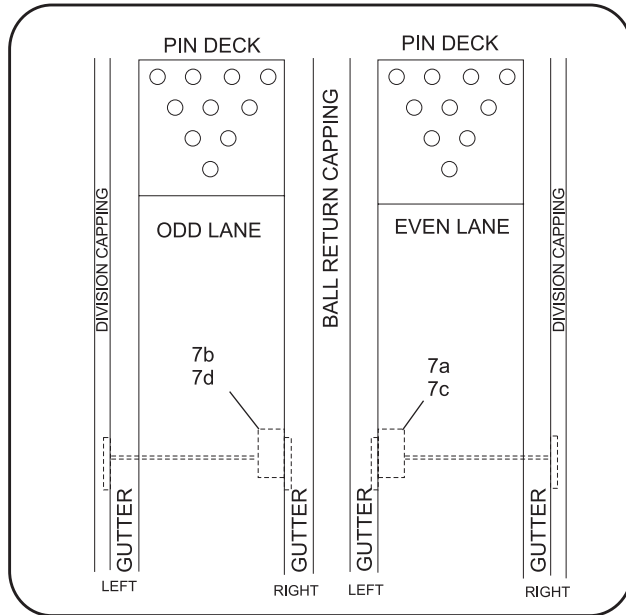


**Pinball Wizard I Gutters -
Automated Bumpers System**

Index

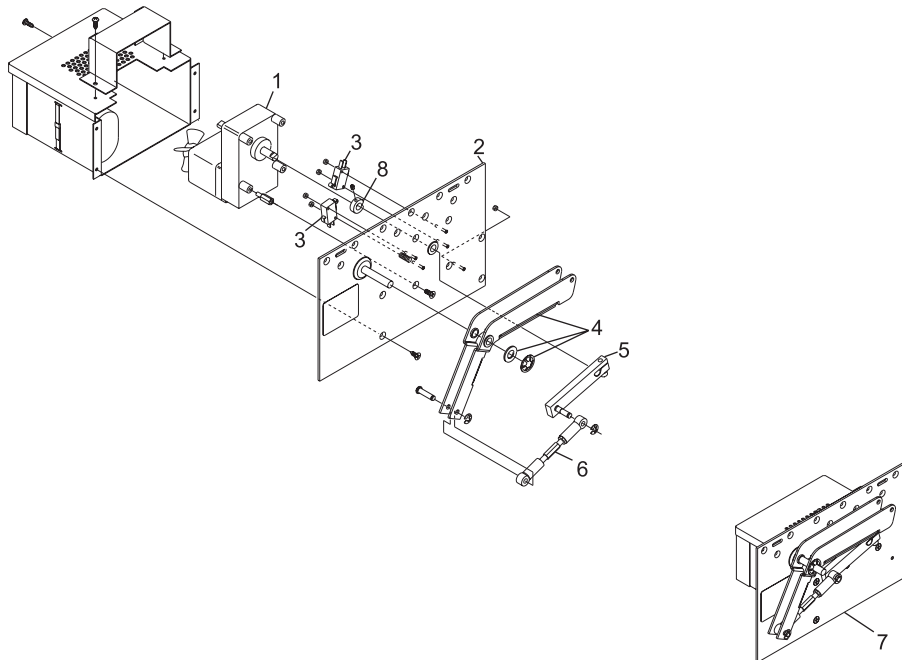
No.	Part No.	Description
1.	84-860650-115	Motor 115VAC PBW I
	84-860650-230	Motor 230VAC PBW I
2.	84-860648-000	Side Plate PBW I
	84-860649-000	Side Plate PBW I
3.	11-616020-000	Switch - SPDT Roller Lever PBW I
4.	84-860647-000	Actuator Arm (includes Flat Washer 11-191014-001) PBW I
5.	84-200540-000	Crank PBW I
6.	84-200519-000	Turnbuckle Assembly PBW I
7a.	*84-860644-115	Drive Pivot Assembly w/Motor - 115VAC PBW I
7b.	*84-860643-115	Drive Pivot Assembly w/Motor - 115VAC PBW I
7c.	*84-860644-230	Drive Pivot Assembly w/Motor - 230VAC PBW I
7d.	*84-860643-230	Drive Pivot Assembly w/Motor - 230VAC PBW I
8.	84-200523-000	Cam

* See Lane Diagram on page 21D.



LANE DIAGRAM

PINBALL WIZARD I MOTOR



Pinball Wizard I Motor

Index

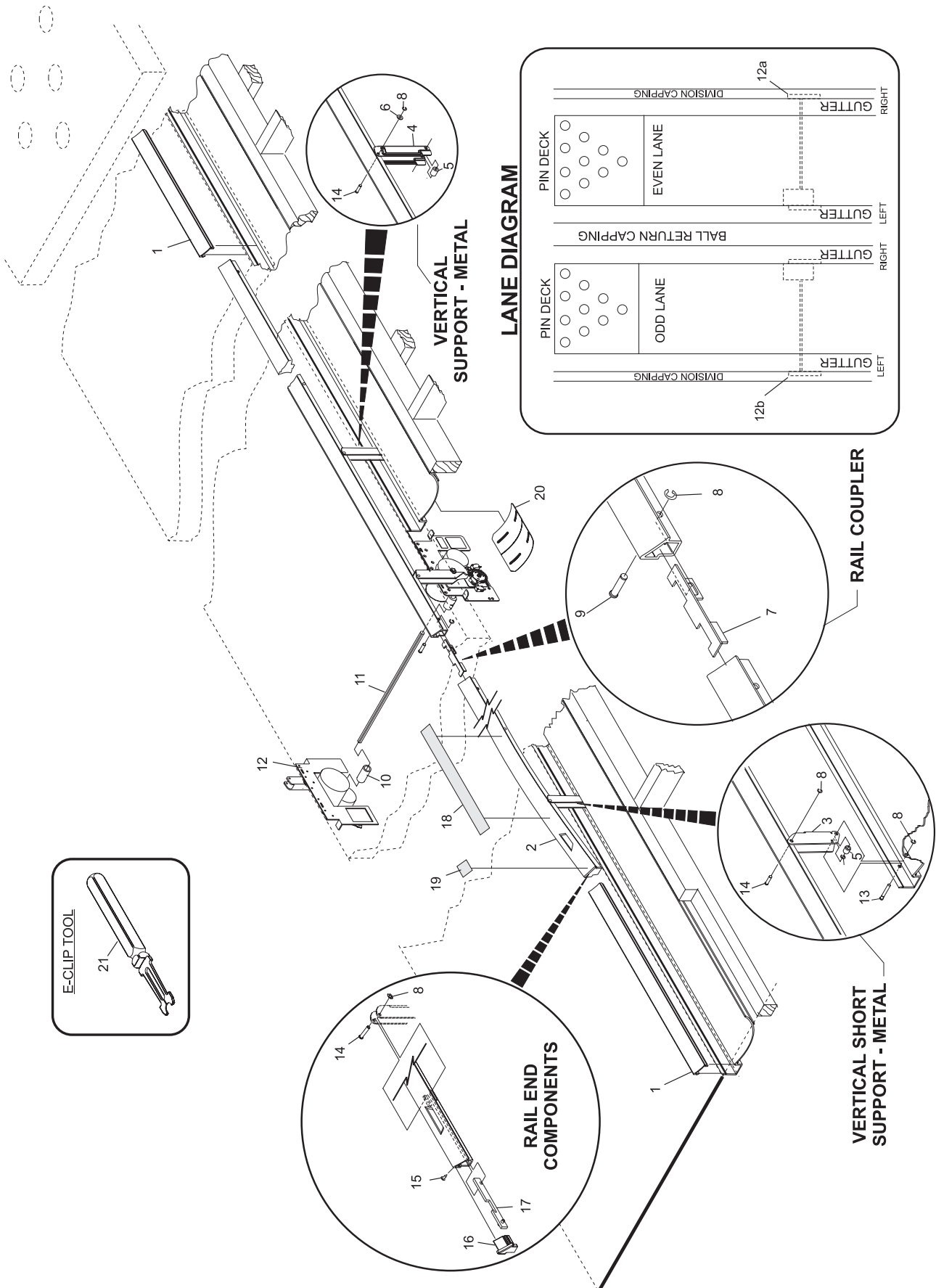
No.	Part No.	Description
1.	*84-200465-xxx	Cosmetic Cover 31.25" long (Dark Gray)
2.	84-860689-000	N.A. Pkg. Rails Vertical Support and Hardware - Foul End
	*84-200452-xxx	L.H. Foul End Rail (Dark Gray)
	*84-200453-xxx	R.H. Foul End Rail (Dark Gray)
	*84-200451-xxx	L.H. & R.H. Common Rail (Dark Gray)
	*84-200478-xxx	L.H. Pinsetter End Rail
	*84-200479-xxx	R.H. Pinsetter End Rail
3.	84-860733-000	Short Vertical (first) Support Pkg. (lane pair)
4.	84-860719-000	Vertical Support Kit w/Pads - Metal (includes 28 Metal Supports, 30 Bushings, 30 Washers, 5 Retaining Rings)
5.	84-200487-000	Noise Reducing Bushing
6.	11-190509-001	Flat Washer
7.	84-200457-000	Rail Coupler
8.	11-537050-000	Retaining Ring
9.	84-200458-003	Rail Coupler Pin (1-1/16" length)
10.	84-200582-000	Shaft Coupler PBW II
11.	84-200584-000	Cross Lane Link PBW II
12a.	**84-200602-001	Driven Pivot Assembly w/o Motor (right-hand side of even lane) PBW II
12b.	**84-200602-002	Driven Pivot Assembly w/o Motor (left-hand side of odd lane) PBW II
13.	84-200459-000	Gutter Arm Pin (2" length)
14.	84-200458-001	Rail Arm Pin (1-1/4" length)
15.	11-082390-000	N.A. Screw (#8-18 x 1/2")
16.	84-200463-001	R.H. Rail Plug (Pkg. of 10)
	84-200463-002	L.H. Rail Plug (Pkg. of 10)
17.	84-200460-000	End Rail Insert
18.	11-682561-000	Safety Warning Label 1- Call for details in language
19.	84860747-002	Safety Warning Label 2
20.	84-200462-000	Gutter Coupler
21.	84-200472-000	E-Clip Installation Tool

N.A. = No Longer Available

** Color Chart*

Part No.Suffix	Color
-000	BLACK
-100	DARK GRAY
-142	MEDIUM GRAY

** See Lane Diagram on page 23D



**Pinball Wizard II Gutters -
Automated Bumpers System**

Index

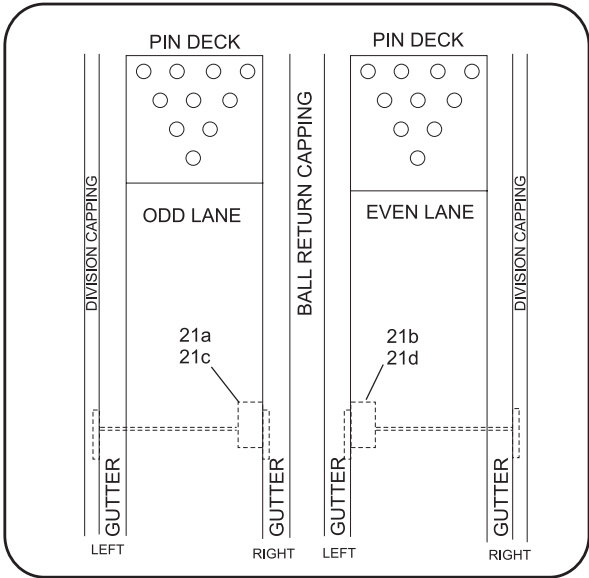
No.	Part No.	Description
1.	84-200582-000	Coupler Clamp (1-1/8 x 1-3/4)
2.	17-200162-000	Output Shaft
3.	17-200161-000	Keys
4.	17-200159-000	Large Gears
5.	17-200160-000	Small Output Gear
6.	11-050003-000	Woodruff Key (1/8 x 1/2) PBW II
7.	84-200582-000	Shaft Coupler (1-1/8 x 1-3/4) PBW II
8.	84-200585-000	Spring PBW II
9.	84-860726-000	Actuator Arm Pkg. - includes pin, e-ring, and instructions
10.	84-200643-115	N.A. Motor 115VAC PBW II
	84-860899-115	R.O. Pkg. Motor 115VAC PBW II - motor only
	84-200643-230	N.A. Motor 230VAC PBW II
	84-860899-230	R.O. Motor 230VAC PBW II - motor only
11.	84-200580-001	Side Plate PBW II - for index numbers 21a & 21c
	84-200580-002	Side Plate PBW II - for index numbers 21b & 21d
12.	11-616021-000	Emergency Up Switch - SPDT Pin Plunger PBW II
13.	11-012009-001	N.A. Pan Head C.R. Screw (#4-40 x 3/4") PBW II
14.	84-200588-001	N.A. Pivot Plate PBW II - for index numbers 21a & 21c
	84-200588-002	N.A. Pivot Plate PBW II - for index numbers 21b & 21d
15.	84-200583-000	Spur Gear (20 °) PBW II
16.	11-530017-001	Retaining Ring PBW II
17.	11-010782-000	Hex Head Screw (1/4-20 x 1/2") PBW II
18.	11-421015-000	Flanged Bearing PBW II
19.	11-192570-000	Shim Washer (1/2 x 7/8 x .048) PBW II
20.	11-050003-000	Woodruff Key (1/8 x 1/2) PBW II
21a.	*84-200600-115	Drive Pivot Assembly w/Motor - 115VAC PBW II
21b.	*84-200601-115	Drive Pivot Assembly w/Motor - 115VAC PBW II
21c.	*84-200600-230	Drive Pivot Assembly w/Motor - 230VAC PBW II
21d.	*84-200601-230	Drive Pivot Assembly w/Motor - 230VAC PBW II
22.	84-860681-001	L.H. External Timing Switch package PBW II - Order per lane Pair
	84-860681-002	R.H. External Timing Switch package PBW II - Order per lane Pair
	84-860068-001	External Timing Switch package - Order per lane Pair
23.	84-200458-005	Acuator Arm Pin (1.31" length)
24.	84-860101-000	Switch Pin Plunger (Pkg. of 2)
25.	84-200733-000	Cam Gear
26.	84-860900-000	L.H. Up/Down Switch Plate
	84-860901-000	R.H. Up/Down Switch Plate
27.	11-420095-000	Bearing

N.A. = No Longer Available

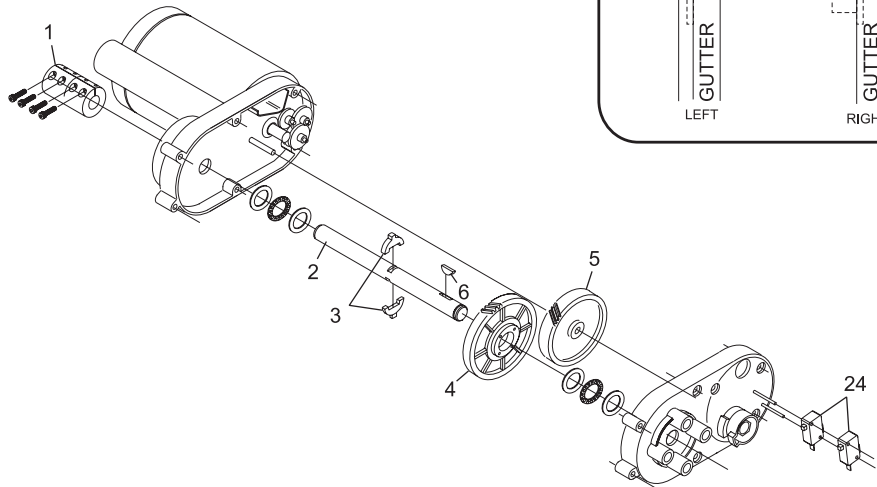
* See Lane Diagram on page 25D

Pinball Wizard II Motor Version I & II

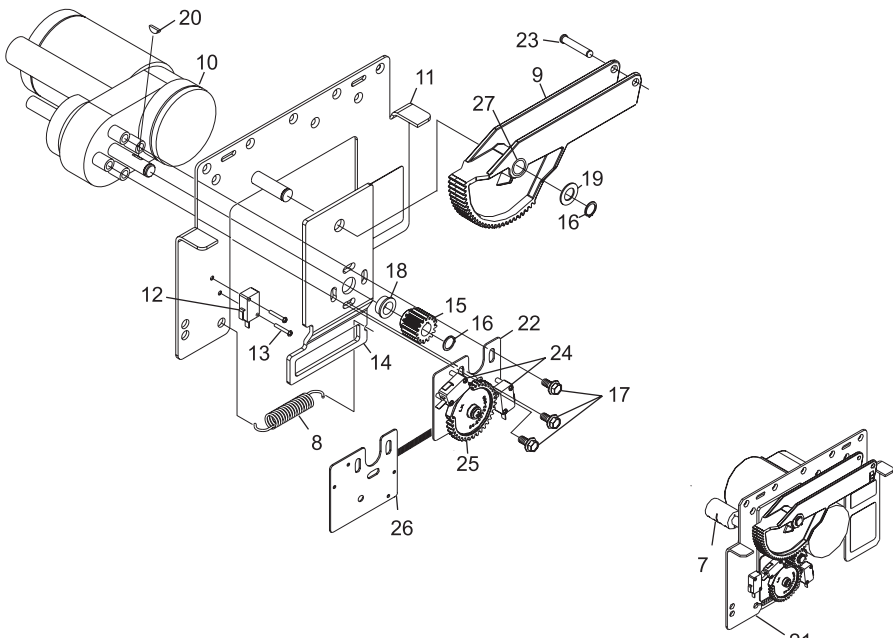
LANE DIAGRAM



PINBALL WIZARD II MOTOR VERSION I



PINBALL WIZARD II MOTOR VERSION II



Pinball Wizard II Motor Version I & II

Index

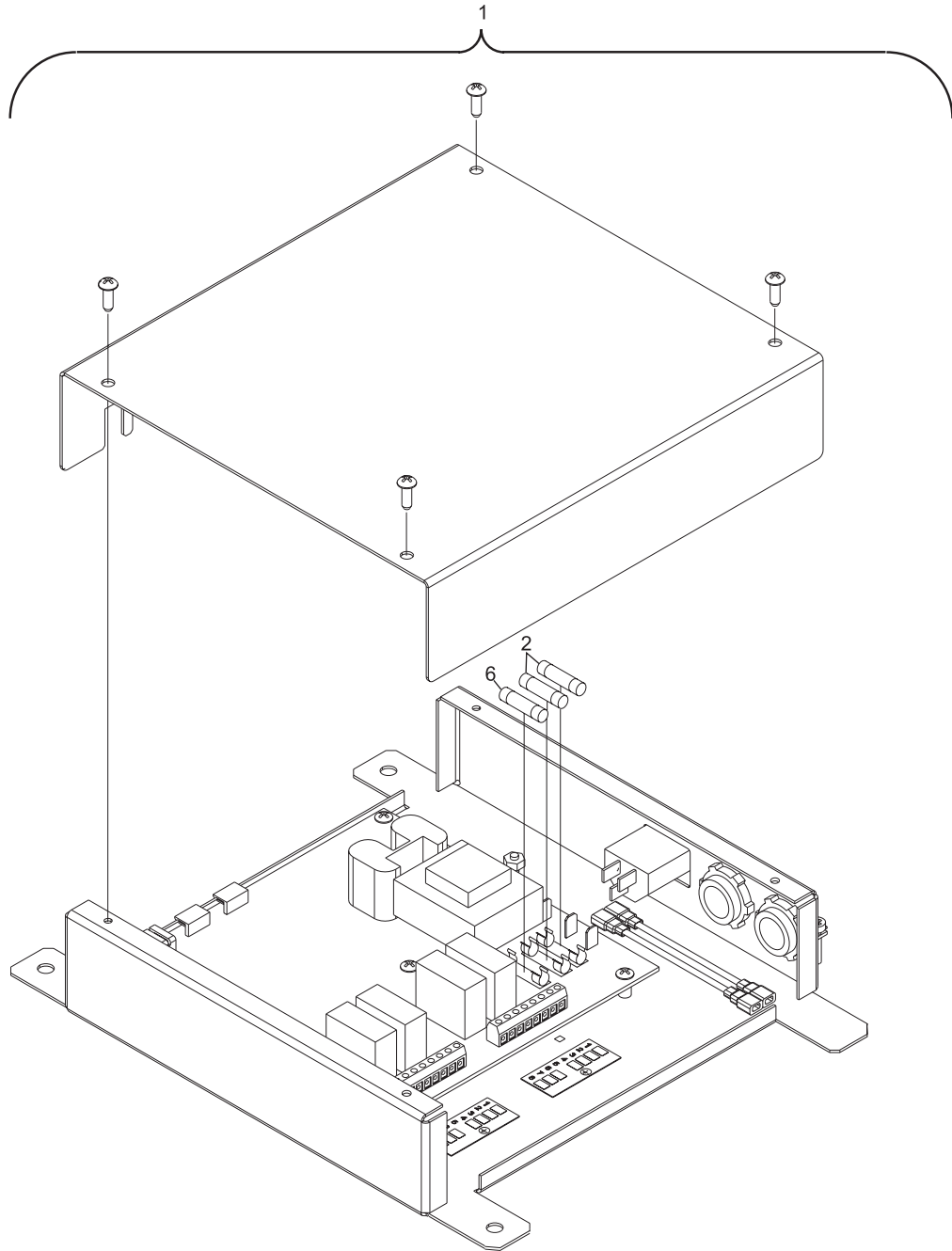
No.	Part No.		Description
1.	17-860783-402	N.A.	Automated Bumper Controller
	17-860801-402	R.O.	Automated Bumper Controller Pkg.
2.	*57-861638-000		Motor Fuses - 1.6 Amp, 250V Slow Blow - Pkg. of 4 - (115VAC only)
	*57-861619-000		Motor Fuses - .8 Amp, 250V Pkg. of 4 - (230VAC only)
3.	*17-860800-000		Scoring to Bumper Control Cable Assembly
4.	*57-863244-000		RS232/458 Converter Cable w/Power
5.	*17-860798-000		Enclosure Control Box
6.	17-860796-000		Circuit Board Fuses .25 Amp, 250V Slow Blow - Pkg. of 4

N.A. = No Longer Available

R.O. = Replacement Option

* Not Illustrated

**Automated Bumper Controller PCB
(BallWall/Pinball Wizard)**

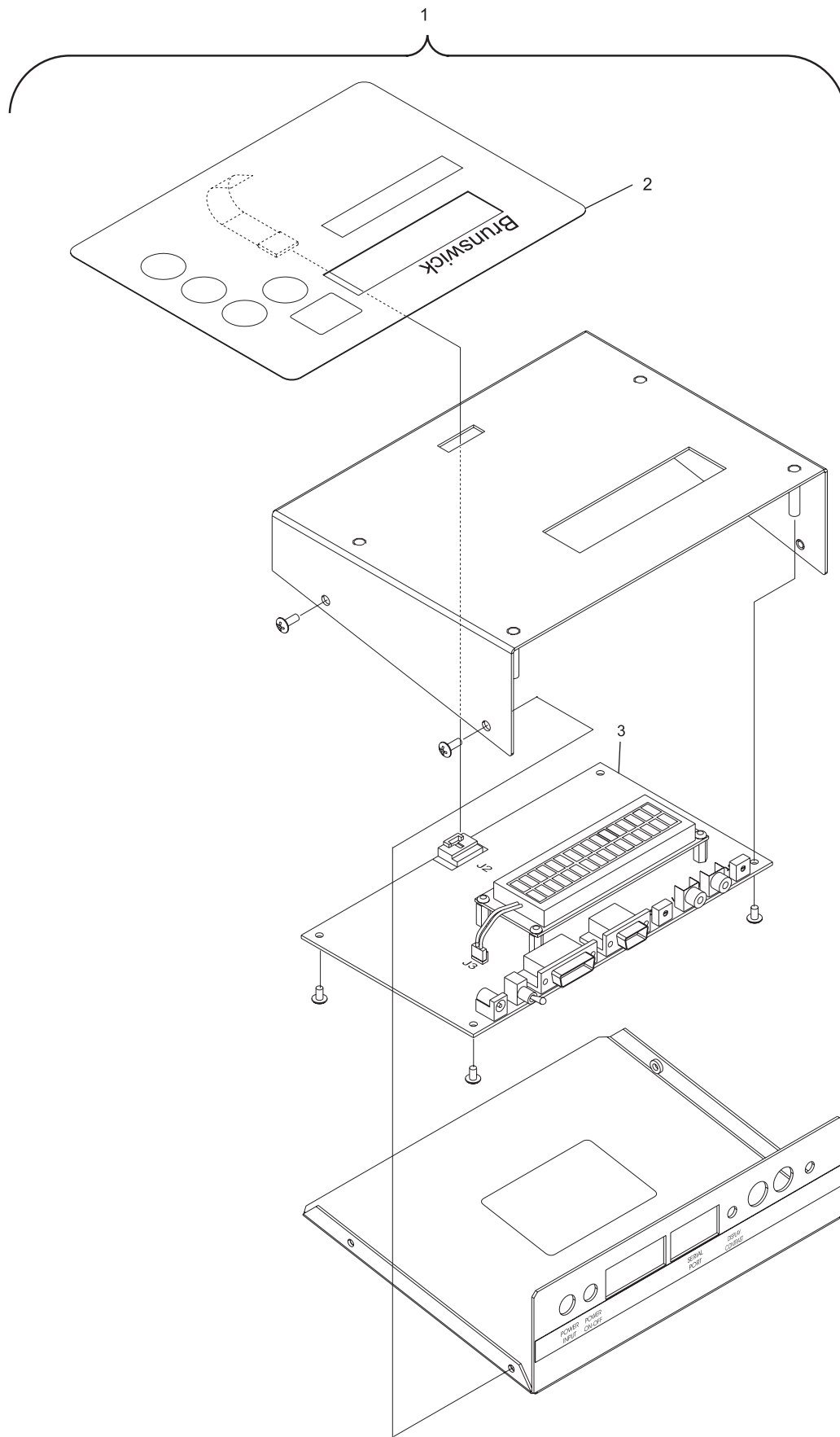


**Automated Bumper Controller PCB
(BallWall/Pinball Wizard)**

Index

No.	Part No.		Description
1.	17-860794-400		Front Desk Controller Assembly
2.	17-300238-000	N.A.	Keypad Only
3.	84-860613-400	N.A.	Front Desk Controller PCB

N.A. = No Longer Available

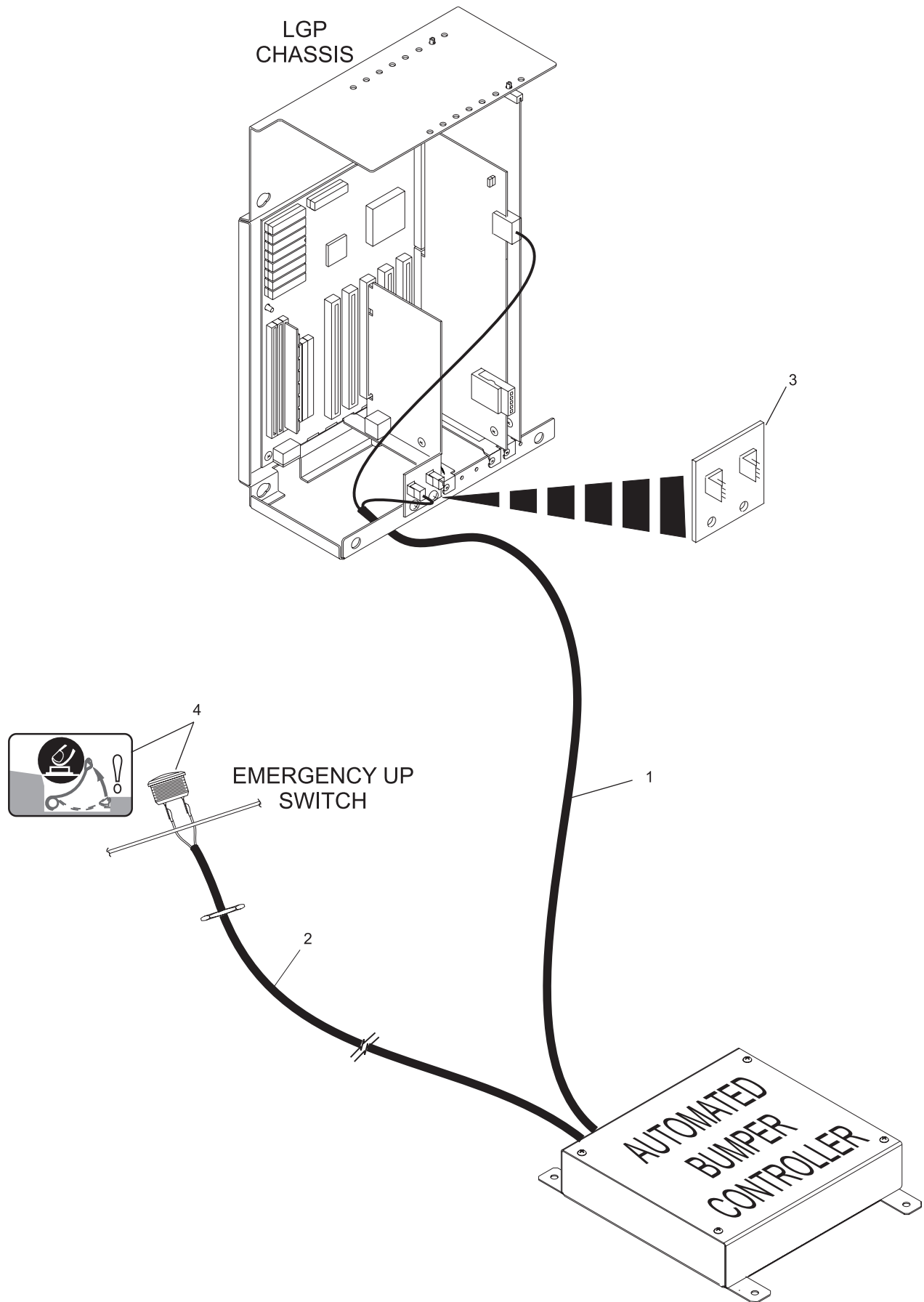


**Front Desk Controller PCB
(BallWall/Pinball Wizard)**

Index

No.	Part No.	Description
1.	17-860788-000	Automated Bumper Lane Cable Assembly (Powerworx, Touchworx, and Teamworx scorers)
2.	17-860799-000	Emergency Up Switch Cable Assembly - includes Switch and Decal
3.	17-860787-000	LLAN Breakout PCB
4.	11-615521-000	Security Push Button Switch only

NOTE: Components identical for both BallWall and Pinball Wizard systems.

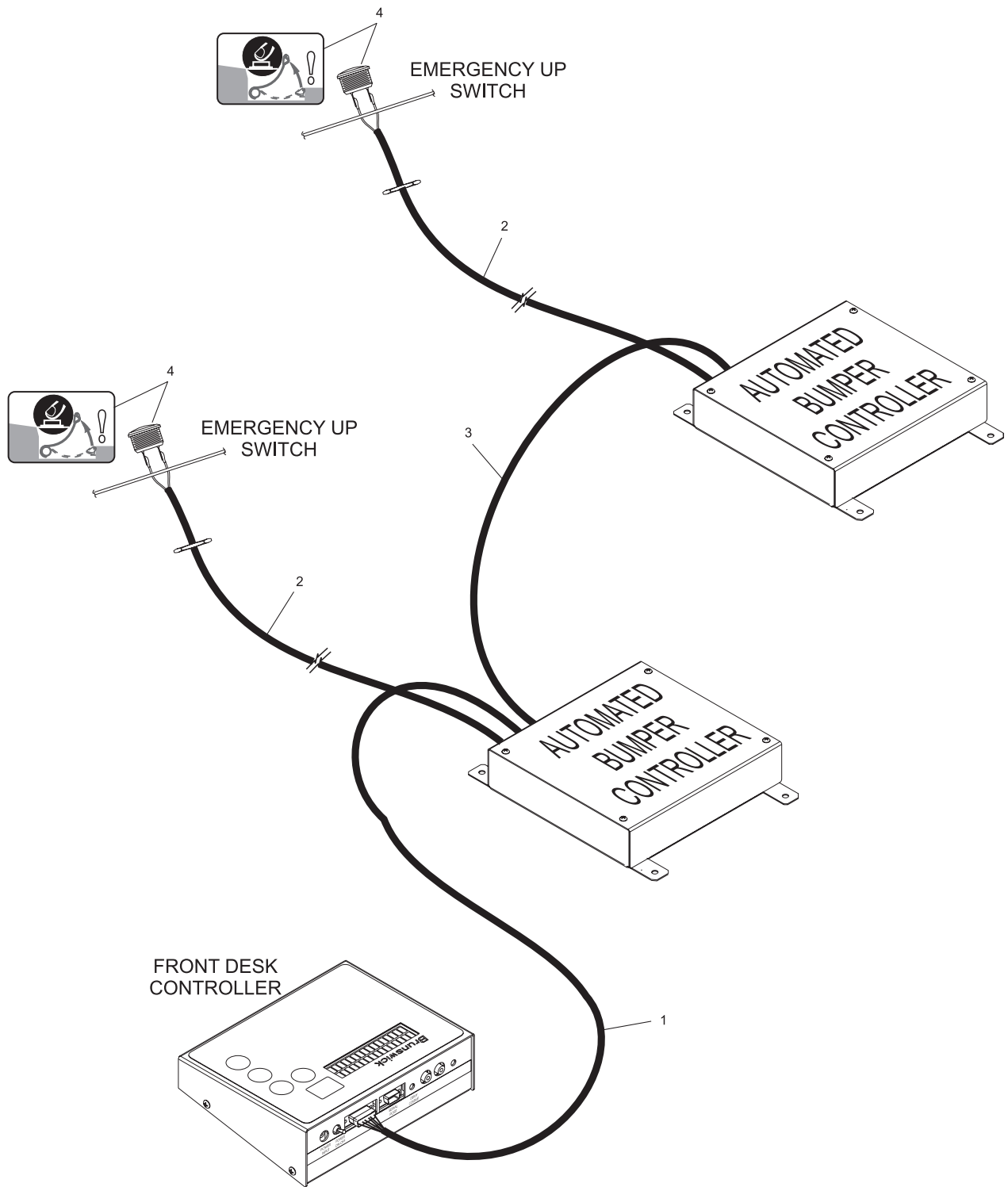


**Automated Bumper System Cables and LLAN Breakout PCB
with Frameworkx Scorers**

Index

No.	Part No.	Description
1.	17-860791-000	Front Desk Controller to Controller Cable Assembly
2.	17-860799-000	Emergency Up Switch Cable Assembly - includes Switch and Decal
3.	17-860790-000	Automated Bumper Controller to Automated Bumper Controller (Daisy Chain) Cable Assembly
4.	11-615521-000	Security Push Button Switch only

NOTE: Components identical for both BallWall and Pinball Wizard systems.



Automated Bumper System Cables Stand - Alone Configuration

Index

No.	Part No.	Description
1.	84-200456-002	L.H. Adapter Block
2.	84-200456-001	R.H. Adapter Block
3.	84-200241-xxx	Division Capping (Gray)
4.	84-200242-000	N.A. Color Strip (Division Capping)
	*84-860736-xxx	Division Capping (Pkg. of 6)
	*84-860553-xxx	N.A. Division Capping w/Hardware Pkg.
	84-860734-301	Division Capping w/Hardware Pkg. (Clear)
5.	11-086487-000	Hole Cutting Screw (#8 x 1-1/4")
6.	84-200245-000	N.A. Gutter Section
7.	84-200258-000	N.A. Shim (2" x 3-1/2")
8.	11-081207-000	Robertson Flat Head Screw (#8-1-1/4")
9.	84-200244-000	Ball Return Capping Clip (2-1/2")
	*84-200240-000	Ball Return Capping Clip (5")
10.	84-860740-000	Return Capping w/Hardware - (Pkg. of 6)
	84-200243-000	Return Capping only (Lt. Gray)
11.	84-200462-000	Gutter Coupler (Replaces P/N 84-200250-000)
12.	84-860557-000	Heavy Duty Flat Gutter
13.	52-100074-000	N.A. Header Block
	84-200603-000	N.A. Header Block
	84-200644-000	R.O. Header Block

* = Not Illustrated

N.A. = No Longer Available

R.O. = Replacement Option

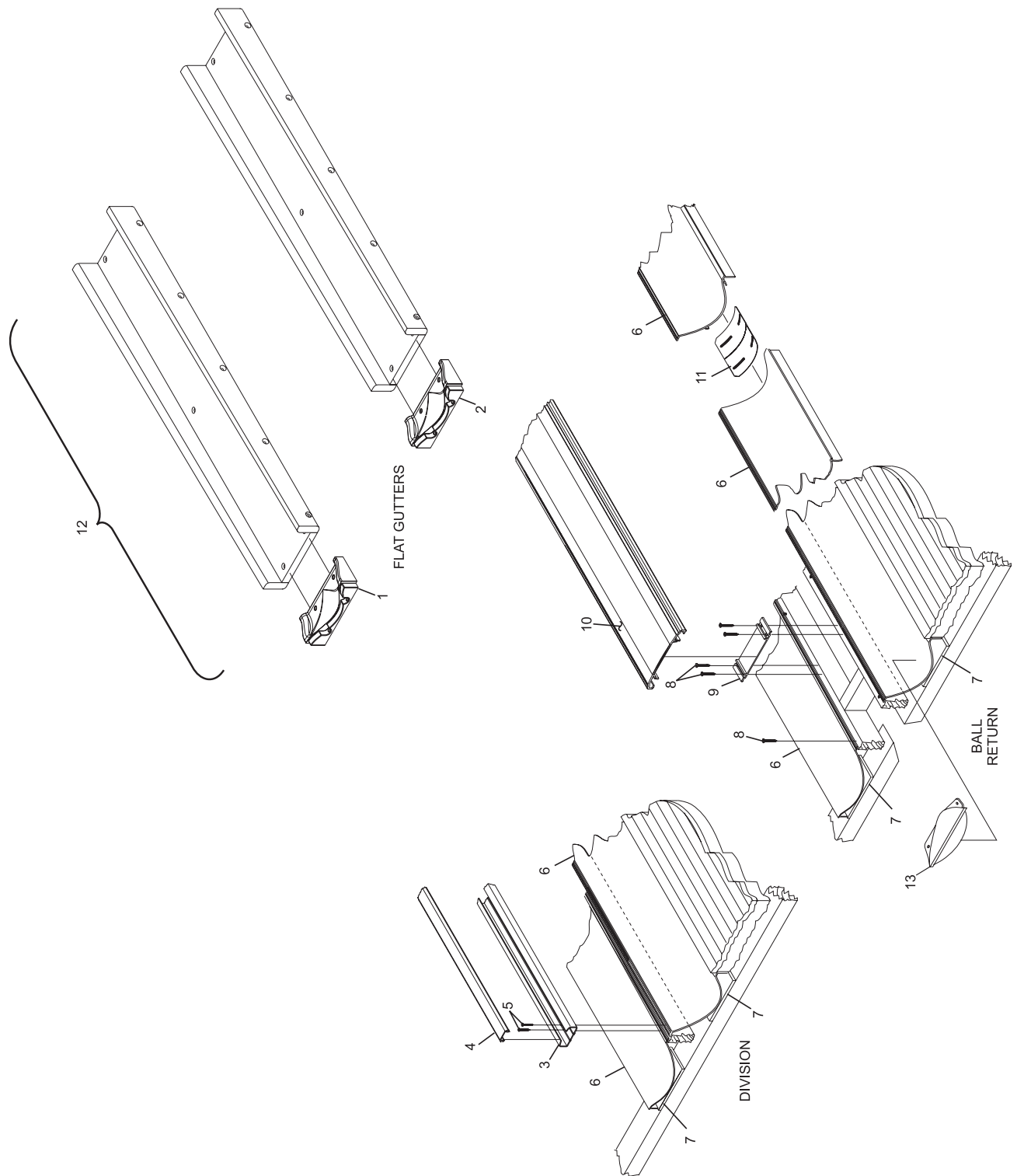
Package 84-860553-XXX - contains: 6 Gray lower division capping (index number 3) and 6 color strips (index number 4) as selected. Available in colors -220 through -229.

* Color Chart

Part No. Suffix	Division Capping Color Strips
-220	BLUEBERRY
-222	CRANBERRY
-223	GRAPE
-224	BANANA
-225	STRAWBERRY
-229	GRAPHITE
-301	CLEAR

Part No.	Gutter Color
-000	BLACK
-100	GREY
-101	BROWN
-102	BLUE

Framework Flat Gutters and Capping



Framework Flat Gutters and Capping

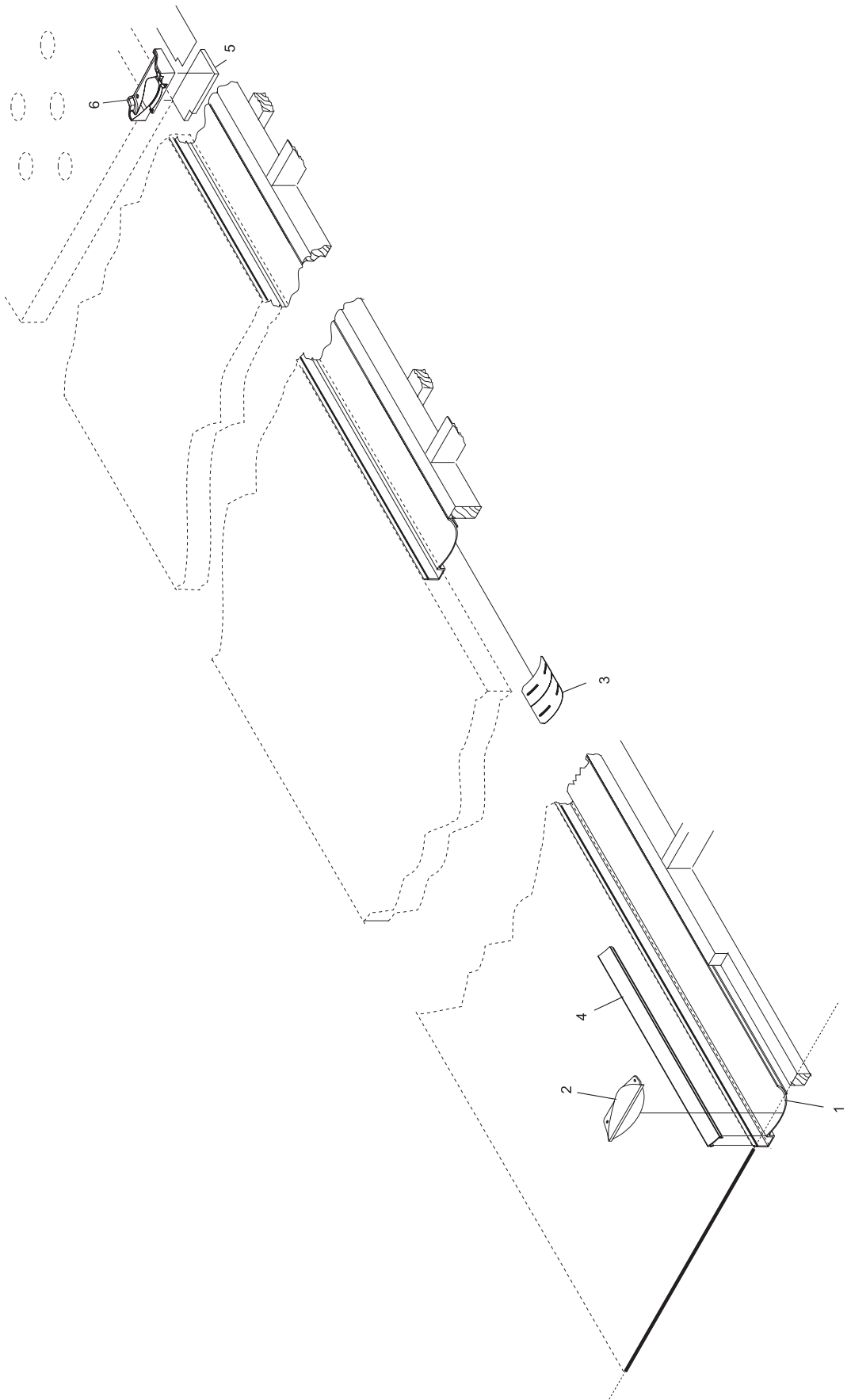
Index

No.	Part No.		Description
1.	84-200461-100		Pinball Wizard Gutter Assembly - Stand-Alone (Dark Gray)
	84-860620-XXX	N.A.	Package of 8 Gutters
2.	84-200603-000	N.A.	Header Block
	84-200644-000	R.O.	Header Block
3.	84-200462-000		Gutter Coupler
4.	84-860622-100		Cover -118" Pkg. (Dark Gray)
5.	84-200556-000	N.A.	Flat Gutter Spacer
6.	84-200456-001		R.H. Adapter Block - Gutter
	84-200456-002		L.H. Adapter Block - Gutter
7.	84-860621-000		Gutter Hardware w/Adapter Blocks (includes items 5 and 6)

N.A. = No Longer Available

R.O. = Replacement Option

Pinball Wizard Gutters - Stand Alone



Pinball Wizard Gutters - Stand Alone

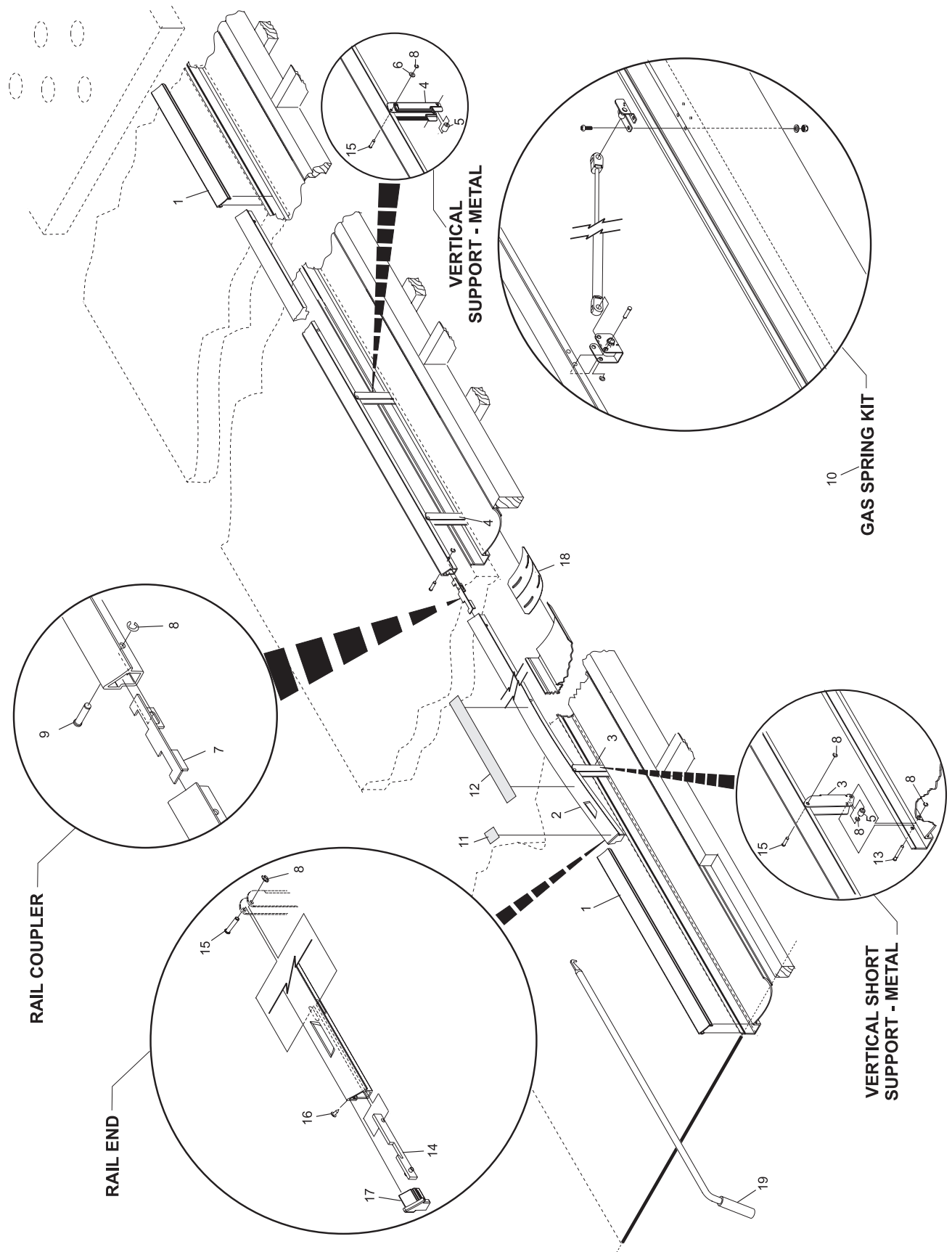
Index

No.	Part No.	Description
1.	84-200465-100	Cosmetic Cover (31.25")
2.	84-860689-XXX	N.A. Rails Vertical Support and Hardware Pkg. - Foul End
	*84-200452-XXX	L.H. Foul End Rail
	*84-200453-XXX	R.H. Foul End Rail
	*84-200451-XXX	L.H. & R.H. Common Rail
	*84-200478-XXX	N.A. L.H. Pinsetter End Rail
	*84-200479-XXX	N.A. R.H. Pinsetter End Rail
3.	84-860733-000	Short Vertical (first) Support Pkg. (lane pair)
4.	84-860695-000	N.A. Vertical Support Kit - Metal (includes 28 Metal Supports, 30 Bushings, 30 Washers, 5 Retaining Clips)
5.	84-200487-000	Noise Reducing Bushing
6.	11-190509-001	Flat Washer
7.	84-200457-000	Rail Coupler
8.	11-537050-000	Retaining-Clip
9.	84-200458-003	Rail Coupler Pin (1-1/16" length)
10.	84-860715-000	Gas Spring Kit (order per lane pair)
11.	84-860747-002	Safety Warning Label 2
12.	11-682561-000	Safety Warning Label 1 (Call for details in language)
13.	84-200459-000	Gutter Arm Pin (2" length)
14.	84-200460-000	Rail End - Insert
15.	84-200458-001	Rail Arm Pin (1-1/4" length)
16.	11-082390-000	Screw (#8-18 x 1/2")
17.	84-200463-001	R.H. Rail Plug
18.	84-200462-000	Gutter Coupler
19.	84-860100-000	Tool Bumper System Pkg.

N.A. = No Longer Available

* Refer to Color Chart Below

Part No. Suffix	Primary Color
-100	DARK GREY
-142	MEDIUM GREY



Bankshot

Intentionally Blank Page

Section E

FURNITURE

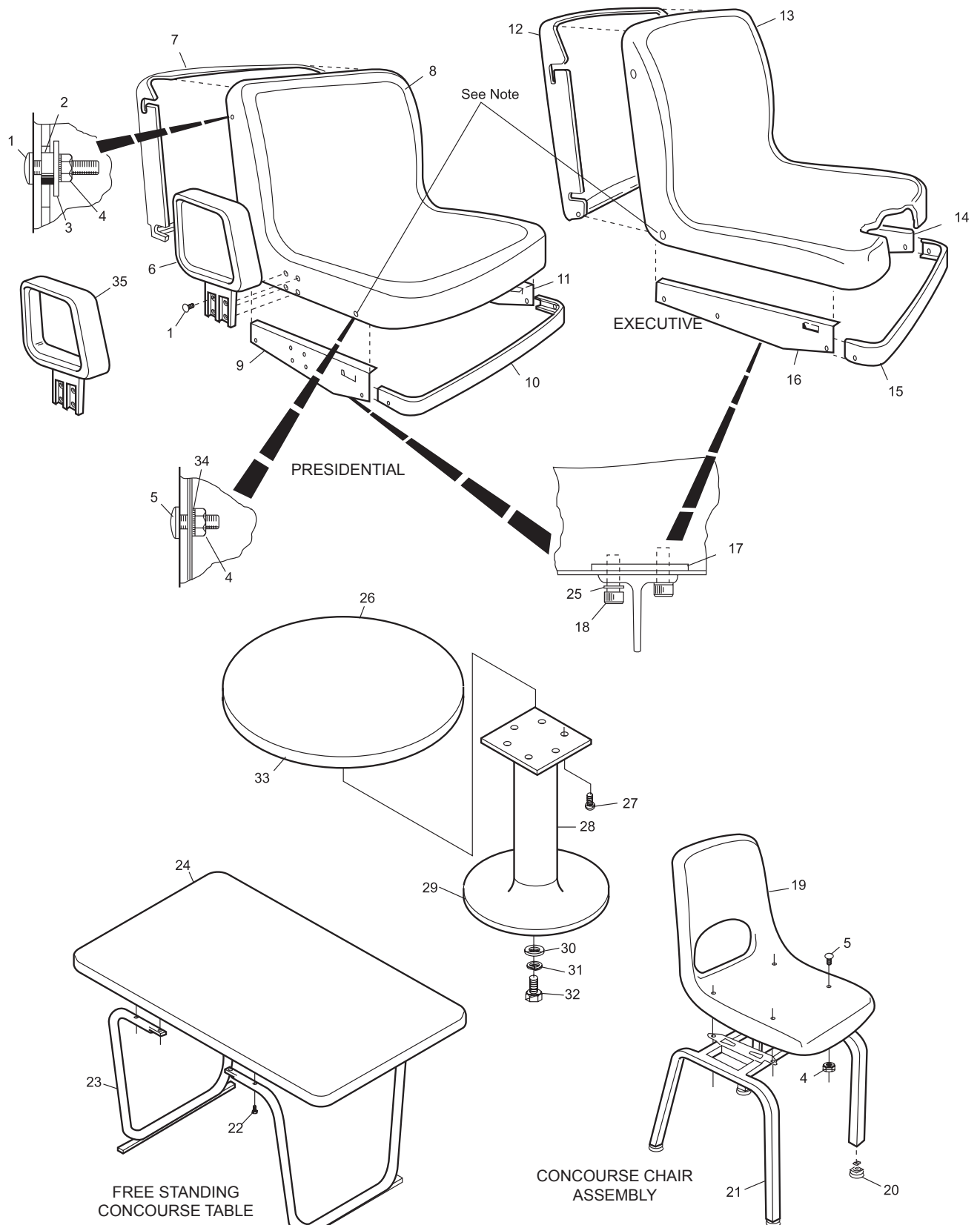
Index

No.	Part No.	Description
1.	54-100107-002	N.A. T. Hd. Nib Screw (1/4-20 x 1-1/8")
2.	10-386241-000	N.A. Spacer (1/4-3/16)
3.	12-300081-004	Flat Washer
4.	11-176000-001	Keps Nut (1/4-20)
5.	54-100107-000	N.A. T. Hd. Nib Screw (1/4-20 x 9/16")
6.	54-100331-003	N.A. Sandlewood Armrest Assy.
	N.A.	Orange Armrest Assembly
	N.A.	Blue Armrest Assembly
7.	54-100464-000	N.A. Back Panel
8.	54-100317-251	N.A. Sandlewood Seat Only
	54-100317-351	N.A. Orange Seat Only
	54-100317-451	N.A. Blue Seat Only
	N.A.	Cameo Blue Seat Only
	N.A.	Autumn Gold Seat Only
	N.A.	Brick Seat Only
	N.A.	Grape Seat Only
	N.A.	Mint Green Seat Only
	N.A.	Plum Seat Only
	N.A.	Sea Spray Seat Only
9.	54-100438-002	N.A. R. H. Seat Support
10.	54-100461-000	N.A. Front Seat Support
11.	54-100438-003	N.A. L.H. Seat Support
12.	N.A.	Back Panel
13.	N.A.	Sandlewood Seat Only
	54-100327-351	N.A. Orange Seat Only
	N.A.	Blue Seat Only
	N.A.	Cameo Blue Seat Only
	N.A.	Autumn Gold Seat Only
	N.A.	Brick Seat Only
	54-100327-651	N.A. Grape Seat Only
	N.A.	Mint Green Seat Only
	N.A.	Plum Seat Only
	N.A.	Sea Spray Seat Only
14.	54-100439-003	N.A. L.H. Seat Support
15.	54-100462-000	N.A. Front Seat Support
16.	54-100439-002	N.A. R.H. Seat Support
17.	54-100499-000	N.A. Nut Plate (5/16-18)
18.	11-005264-001	Hex Socket Hd. Cap Screw (5/16-18 x 1")
19.	N.A.	Ermine White Seat and Back
20.	11-651201-000	Chair Glide
21.	N.A.	Chair Chassis Assembly
22.	11-070542-001	Hex Hd. Lag Screw (5/16 x 1-1/4")
23.	N.A.	Table Leg Assembly
24.	N.A.	Concourse Table Top Only
25.	11-195015-001	Lockwasher (5/16)
26.	N.A.	Sandlewood Table Top (33")
	N.A.	Orange Table Top (33")
	N.A.	Blue Table Top (33")
	N.A.	Brick Table Top (33")
	N.A.	Grape Table Top (33")
	N.A.	Mint Green Table Top (33")
	N.A.	Plum Table Top (33")
	N.A.	Sea Spray Table Top (33")
	N.A.	Cameo Blue Table Top (33")
	N.A.	Autumn Gold Table Top (33")
	N.A.	Sandlewood Table Top (42")
	N.A.	Orange Table Top (42")
	N.A.	Blue Table Top (42")
	N.A.	Brick Table Top (42")
	N.A.	Grape Table Top (42")
	N.A.	Mint Green Table Top (42")
	N.A.	Plum Table Top (42")
	N.A.	Sea Spray Table Top (42")
	N.A.	Cameo Blue Table Top (42")
	N.A.	Autumn Gold Table Top (42")
27.	N.A.	Self Tapping C.R. Rd. Hd. Screw (1/4 x 1-1/4")
28.	N.A.	Low Pedestal Assembly
	N.A.	High Pedestal Assembly
29.	N.A.	Pedestal Base
30.	N.A.	Flat Washer (5/8)
31.	11-195020-001	Lockwasher (5/8)
32.	N.A.	Hex Hd. Cap Screw (5/8-11 x 4")
33.	N.A.	T-Moulding (L.F.)
34.	11-191010-001	Flat Washer (1/4")
35.	54-100300-000	Armrest Assembly (Hollow)

N.A. = No Longer Available

NOTE: Mounting holes for seating must be drilled on site. Clamp seat to existing bracket and drill from inside.

"2000" Omni Seat Supports



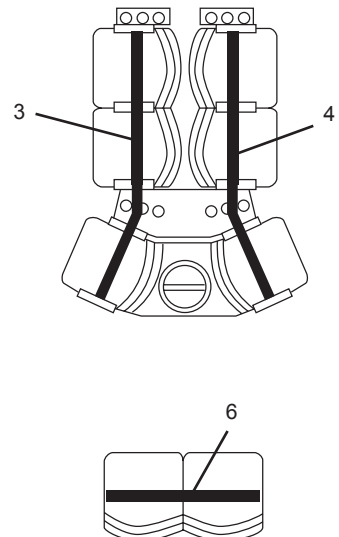
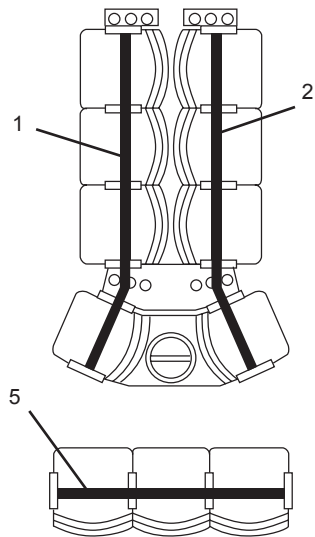
"2000" Omni Seat Supports

Index

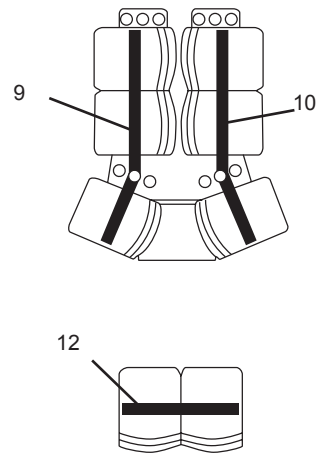
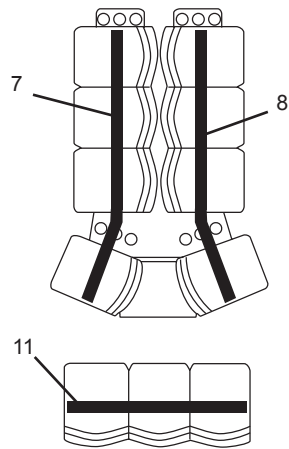
No.	Part No.	Description
1.	N.A.	R. H. T-Bar Support (93-9/16")
2.	N.A.	L. H. T-Bar Support (93-9/16")
3.	N.A.	R. H. T-Bar Support (72-11/16")
4.	N.A.	L. H. T-Bar Support (72-11/16")
5.	N.A.	T-Bar Support (61-3/4")
6.	N.A.	T-Bar Support (40-7/8")
7.	N.A.	R. H. T-Bar Support (78-3/8")
8.	N.A.	L. H. T-Bar Support (78-3/8")
9.	N.A.	R. H. T-Bar Support (60-3/8")
10.	N.A.	L. H. T-Bar Support (60-3/8")
11.	N.A.	T-Bar Support (51-7/8")
12.	N.A.	T-Bar Support (33-7/8")
13.	N.A.	Hex Hd. Cap Screw (5/16-18 x 1")
14.	11-195015-001	Lockwasher (5/16)
15.	N.A.	Seating Pedestal
16.	N.A.	Scorer Seating Pedestal
17.	54-100340-000	N.A. Seating Leg Cap
18.	11-001343-001	Hex Hd. Cap Screw (3/8-16 x 7/8")
19.	11-190014-001	Flat Washer (3/8)
20.	N.A.	Concrete Fastener (3/8-16)
21.	N.A.	Hex Hd. Lag Screw (3/8 x 2")
22.	11-111455-000	N.A. Concrete Fastener (3/8-16 x 2-3/4")

N.A. = No Longer Available

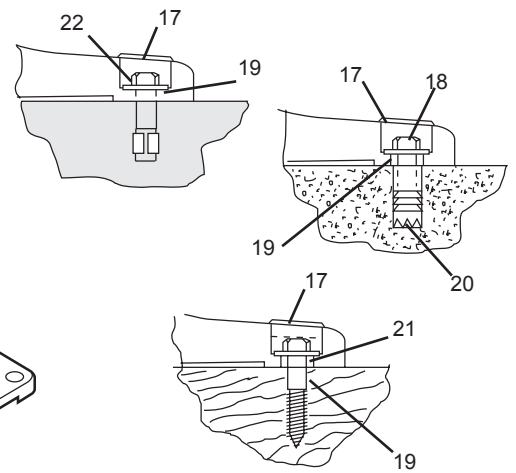
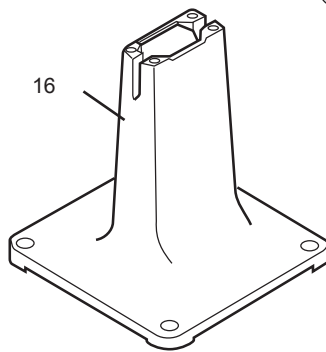
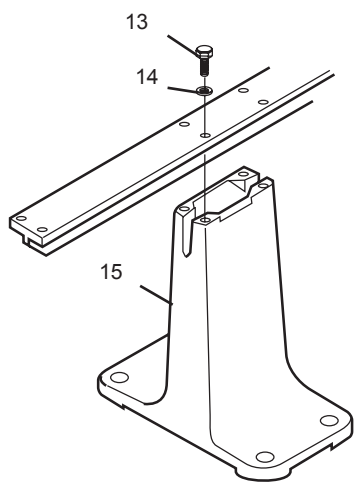
"2000" Omni Seat Supports



PRESIDENTIAL



EXECUTIVE



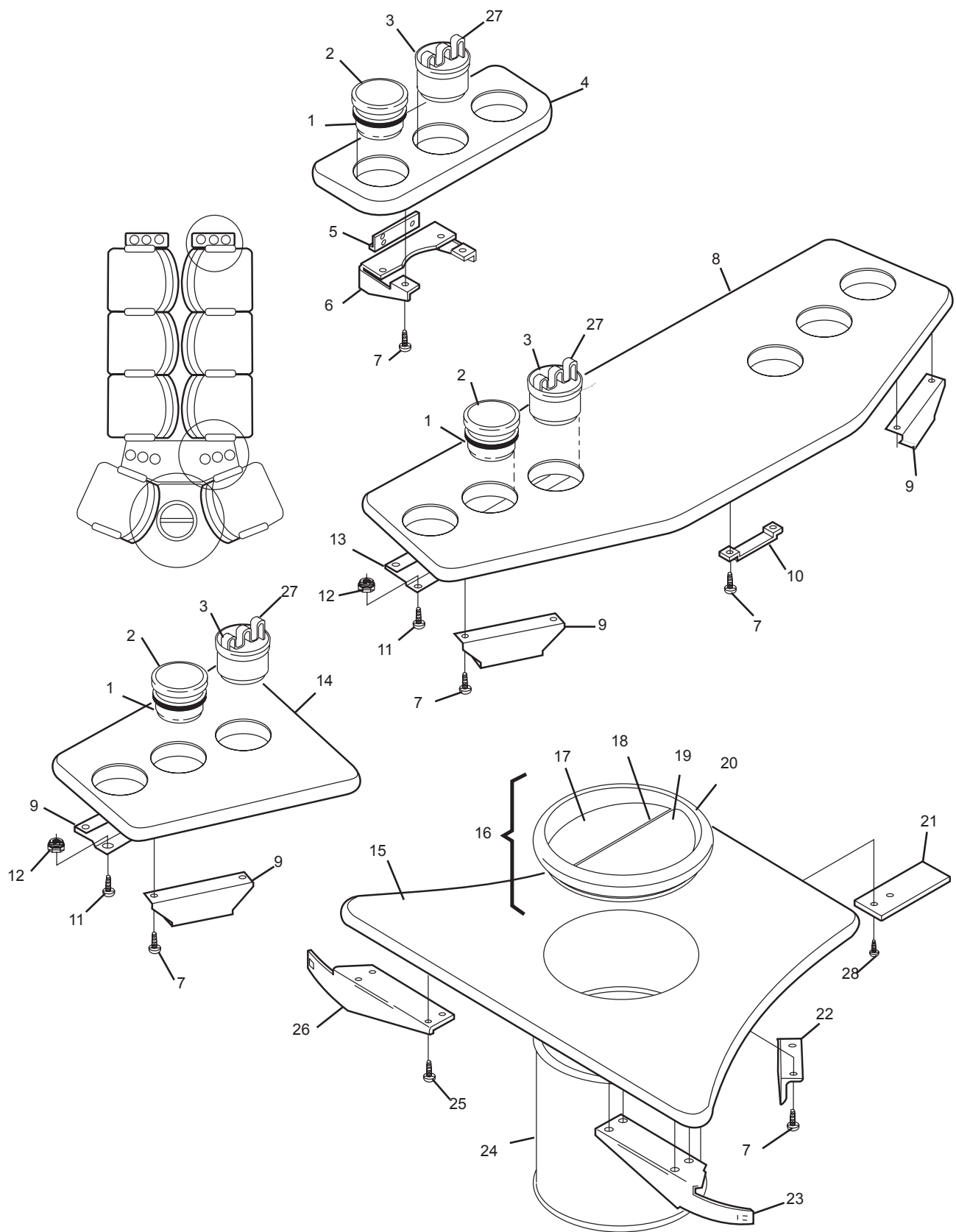
"2000" Omni Seat Supports

Index

No.	Part No.		Description
1.	54-100431-000	N.A.	Cup Holder
2.	54-100260-000		Glass and Bottle Holder
3.	54-100259-000	N.A.	Ashtray
4.	N.A.		End Table Top Only
5.	N.A.		Straightener
6.	54-100319-000	N.A.	Table Support Bracket
7.	N.A.		Self Tapping C. R. Rd. Hd. Screw (#12 x 1")
8.	N.A.		Twin Refreshment Table Top Only
9.	54-100337-000		Small Support Bracket
10.	54-100322-000	N.A.	Catch
11.	11-010635-001	N.A.	Hex Hd. Washer Machine Screw (1/4-20 x 3/4")
12.	11-176000-001		Keps Nut (1/4-20)
13.	N.A.		Large Support Bracket (30-3/4")
	54-100338-003	N.A.	Large Support Bracket (32-1/2")
14.	N.A.		Single Refreshment Table Top Only
15.	N.A.		Rear Table Top Only (Presidential w/Refuse Hole)
	N.A.		Rear Table Top Only (Presidential w/o Refuse Hole)
	54-100344-000	N.A.	Rear Table Top Only (Executive w/o Refuse Hole)
	N.A.		Rear Table Top Only (Executive w/Refuse Hole)
16.	N.A.		Bezel Assembly
17.	N.A.		Cover Only
18.	N.A.		Rod Only
19.	11-125560-000	N.A.	Speed Nut
20.	N.A.		Bezel Only
21.	N.A.		Tongue
22.	N.A.		Centering Bracket
23.	N.A.		R.H. Support Bracket
24.	N.A.		Disposal Container
25.	N.A.		Self Tapping C.R. Rd. Hd. Screw (#12 x 1-1/4")
26.	54-100345-003	N.A.	L.H. Support Bracket
27.	N.A.		Ashtray Insert
28.	N.A.		Screw

N.A. = No Longer Available

"2000" Omni Tables



"2000" Omni Tables

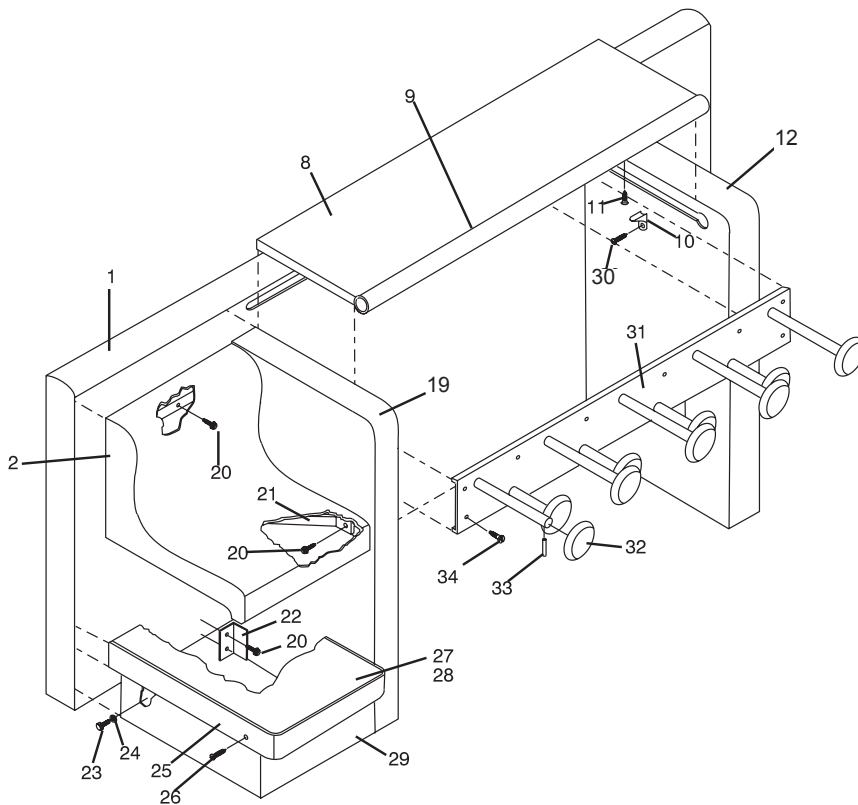
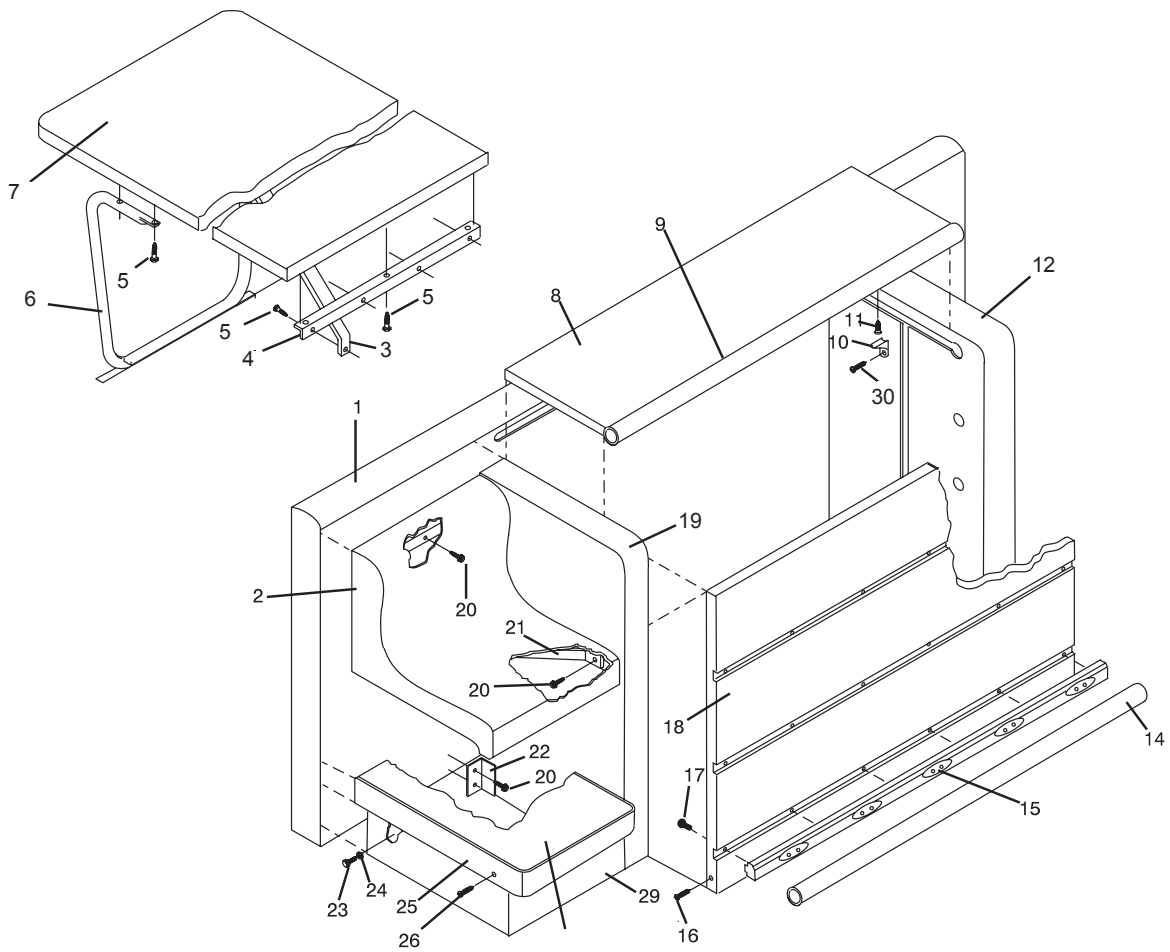
Index

No.	Part No.	Description
1.	N.A.	Rear Frame Assembly
2.	N.A.	R.H. Sandlewood Jump Seat - Shown
	N.A.	L.H. Sandlewood Jump Seat - Opposite
	N.A.	R.H. Orange Jump Seat - Shown
	N.A.	L.H. Orange Jump Seat - Opposite
	N.A.	R.H. Blue Jump Seat - Shown
	N.A.	L.H. Blue Jump Seat -Opposite
3.	N.A.	Table Support Bracket
4.	N.A.	Table Support Bracket
5.	11-070542-001	Hex Hd. Lag Screw (5/16 x 1-1/4")
6.	N.A.	Concourse Table Leg
7.	N.A.	Concourse Table Top Only
8.	N.A.	Refreshment Tray Only
9.	N.A.	Front Edge Moulding
10.	N.A.	Shelf Brace
11.	N.A.	Self Tapping C.R. Flat Hd. Screw (#10 x 1")
12.	N.A.	L.H. Armrest Assembly
13.	*N.A.	Ball Rack Rail Assembly
14.	N.A.	Ball Rack Tube
15.	54-100210-000	N.A. Glide
16.	11-040167-001	N.A. C.R. Flat Hd. Wood Screw (#14 x 4")
17.	N.A.	Self Tapping C.R. Rd. Hd. Screw (#10 x 1-1/2")
18.	N.A.	Ball Rack Wall
19.	N.A.	R.H. Armrest Assembly
20.	N.A.	Self Tapping Hex Hd. Washer Screw (5/16-18 x 2-1/2")
21.	N.A.	Diagonal Brace
22.	N.A.	Angle Bracket
23.	11-001182-001	Hex Hd. Cap Screw (1/4-20 x 3/4")
24.	11-190010-001	Flat Washer (1/4)
25.	N.A.	Footrest Trim
26.	N.A.	Self Tapping C.R. Flat Hd. Screw (#14 x 3/4")
27.	N.A.	Rubber Mat
28.	*11-676047-000	Cement (Gallon)
29.	N.A.	R.H. Footrest Trim - Shown
	N.A.	L.H. Footrest Trim - Opposite
30.	N.A.	Self Tapping C.R. Flat Hd. Screw (#10 x 1-3/4")
31.	N.A.	Coat Hanger Assembly Only
32.	N.A.	Sandlewood Knob Assembly
	N.A.	Orange Knob Assembly
	N.A.	Blue Knob Assembly
33.	11-345408-001	Roll Pin (1/4" x 3/4")
34.	N.A.	Self Tapping C.R. Pan Hd. Screw (#14 x 2")

N.A. = No Longer Available

* Not Illustrated

**"2000" Omni Seating, Ball Rack,
Coat Rack & Mod Wall**



**"2000" Omni Seating, Ball Rack,
Coat Rack & Mod Wall**

Index			Index		
No.	Part No.	Description	No.	Part No.	Description
1.	54-100259-000	N.A. Ashtray	20.	53-400109-000	N.A. Tube Cap 3" (light gray)
2.	*53-860977-xxx	N.A. Center Top w/Holes		53-400276-000	R.O. Tube Cap 3" (light gray)
3.	54-100260-000	Drink Holder		53-400109-100	Tube Cap 3" (silver)
4.	53-860978-000	N.A. Center Top w/o Holes	21.	N.A.	N.A. Concrete Anchor (3/8-16)
5.	53-861053-000	Ashtray/Drink Holder (Light Gray)		***11-111560-000	Concrete Anchor (3/8-16 x 1-9/16")
	53-861053-004	Ashtray/Drink Holder (Graphite)	22.	53-860990-000	N.A. Wood Insert (3/8)
6.	11-001344-001	Hex Hd. Cap Screw (3/8-16 x 1")	23.	53-400301-001	Button Hd. Cap Screw (3/8-16 x 2-1/4")
7.	53-400179-000	N.A. Ashtray/Drink Holder Mounting Bracket		***53-400301-003	Button Hd. Socket Cap Screw (3/8-16 x 3/4")
8.	11-082703-001	Self Tapping Screw (#12-14 x 1/2")	24.	*53-861010-xxx	Plastic Fastener for Inserts (Pkg. of 10) - No Longer available in -220 Blueberry, Order -232 Light Gray as a replacement option. The light gray -232 will also be the replacement color for other fasteners as inventory is depleted.
9.	53-400176-000	N.A. Center Top Mounting Bracket			
10.	*53-860959-000	Contour Seats Pkg. (Light Gray)			
	53-860959-004	Contour Seats Pkg. (Graphite)	25.	*N.A.	N.A. Front Insert (use index No. 28)
11.	****54-861046-xxx	N.A. Voltaire Seat (-001 Dark Cherry or -002 Maple Natural)	26.	*53-400111-xxx	Rear Decal
	54-861106-xxx	R.O. Easton Seat available in -001 Dark Cherry and -002 Natural wood finishes only (Pkg. of 2)	27.	53-400113-000	Rear Insert (Light Gray)
12.	11-006345-000	Button Hd. Cap Screw (3/8-16 x 1")	28.	**53-860960-xxx	Rear Insert (Graphite)
13.	53-860975-xxx	N.A. End Table w/Holes (colors -220 through -225 only)	29.	**53-861052-000	Seat Color Kit (contains 1 each of index Nos.: 19, 25, 26, 27 and 6 each of item 24)
14.	11-082862-001	Self Tapping Screw (#14-10 x 1")	30.	**11-195016-001	Bracket Hardware Pkg (includes index Nos.: 6, 7, 8, 30 and 31)
15.	53-866958-000	N.A. End Table Weldment w/Hardware (Dark Gray)	31.	**11-082122-001	Lock Washer
	53-866958-100	End Table Weldment w/Hardware (Silver)	32.	53-861054-000	Screw (#12-14 x 1/2")
16.	11-001182-001	Cap Screw (1/4-20 x 3/4")	33.	54-860511-xxx	End Table W/O Holes (colors -260 through -269 only)
17.	53-400302-000	Hole Plugs (Black)			Voltaire Seat - only (-001 Dark Cherry or -002 Maple Natural)(Pkg. of 4)
18.	53-866020-100	Two Seat Rail - Short (Silver)			
	53-866020-000	Two Seat Rail - Short (Dark Gray)			
19.	*53-400103-xxx	Front Decal			

N.A. = No Longer Available

** Not Illustrated

*** Concrete Anchor - P/N 11-111560-000 must be used with Button Hd. Socket Cap Screw - P/N 53-400301-003.

**** When replacing a Voltaire seat, customers must also order (2) 53-400231-000 45° seat swivels.

NOTE: Last three digits in part number (suffix) designate color.

*Color Chart

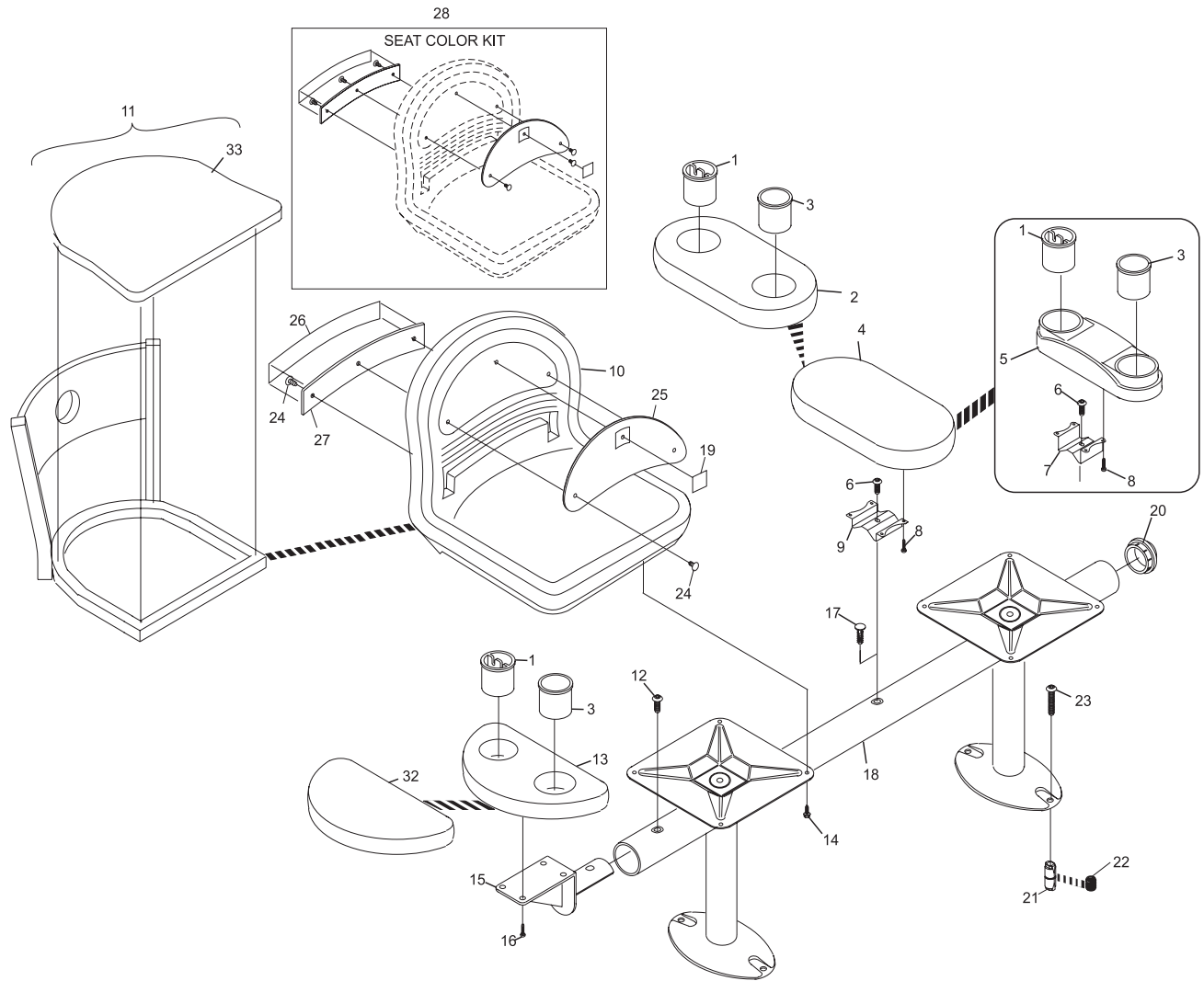
Part No.	Primary	Molding	Laminate
Suffix	Color	Color	
1997 Frameworx Color Series			
-220	Blueberry	Banana	Light & Glow
-221	Kiwi	Blueberry	Light & Glow
-222	Cranberry	Banana	Light & Glow
-223	Grape	Kiwi	Light & Glow
-224	Banana	Grape	Dark & Glow
-225	Strawberry	Banana	Dark & Glow
-226	Cranberry	Banana	Dark & Glow
-227	Banana	Grape	Light & Glow
-228	Strawberry	Banana	Light & Glow
-229	Blueberry	Banana	Dark & Glow
-230	Kiwi	Blueberry	Dark & Glow
-231	Grape	Kiwi	Dark & Glow
-232	Light Gray		

Part No.	Primary Color	Molding Color	Laminate
Suffix			
2009 Frameworx Color Series			
-003	Black	N.A.	N.A.
-260	Violet	Violet	Glow
-261	Daffodil	Daffodil	Glow
-262	Blaze Orange	Blaze Orange	Glow
-263	Malachite	Malachite	Glow
-264	Slate	Slate	Glow
-265	Jade	Jade	Non-Glow
-266	Navy	Navy	Non-Glow
-267	Eggplant	Eggplant	Non-Glow
-268	Silver	Silver	Non-Glow
-269	Slate	Slate w/Silver Stripe	Non-Glow

Part No.	Primary	Molding	Laminate
Suffix	Color	Color	
2005 Frameworx Premium Wood Finishes			
-310	Rosewood	Black	Rosewood
-311	Maple	Black	Maple
-312	Black	Black	Black

NOTE: Laminate and molding color options are only available for table tops. They are not available as a seat option. Please use the part number suffix and the primary color as a reference when selecting seat color options. In addition -264, -269, -310, -311 and -312 are available as table options only. They are not available as a seat color or fastener option.

Frameworx Two Seat Rail (Short)



Frameworkx Two Seat Rail (Short)

Index			Index		
No.	Part No.	Description	No.	Part No.	Description
1.	*N.A.	Front Insert (use index number 23)	13.	11-111456-000	Concrete Stud (3/8-16 x 3-1/2")
2.	53-860968-xxx	N.A. Oval Table Top	14.	*53-400103-XXX	Front Decal (use index number 23)
	*53-861102-xxx	R.O. Oval Table Top w/Slot (Not Illustrated)	15.	11-006345-000	Button Hd. Cap Screw
	53-860999-000	N.A. Oval Table Top - reduced length	16.	53-860990-000	N.A. Wood Insert (3/8)
	*53-861103-xxx	R.O. Oval Table Top w/Slot - reduced length (Not Illustrated)	17.	11-095011-000	Concrete Anchor (3/8-16)
3.	11-082862-001	Self Tapping Screw (#14-10 x 1")	**11-111560-000		Hilti Concrete Anchor (3/8-16 x 1-9/16")
4.	53-860959-000	Contour Seat Pkg. (Dark Gray)	18.	53-400309-000	N.A. Rod (3/8-16 x 3")
	53-860959-004	Contour Seat Pkg. (Graphite)		53-860989-000	R.O. Table Mounting Hardware Pkg. - Wood Floor
5.	53-400109-000	N.A. Tube Cap 3" (light gray)	19.	*53-861010-xxx	Plastic Fastener for Inserts (Pkg. of 10) - No Longer available in -220 Blueberry, Order -232 Light Gray as a replacement option. The light gray -232 will also be the replacement color for other fasteners as inventory is depleted.
	53-400276-000	R.O. Tube Cap 3" (light gray)	20.	53-400103-xxx	Rear Decal
	53-400109-100	Tube Cap 3" (silver)	21.	N.A.	Rear Insert - Gray (use index number 23)
6.	53-400301-001	Button Hd. Cap Screw (3/8-16 x 2-1/4")	22.	53-861100-000	Table Weldment Pkg. - Concrete/Wood Floors- Dark Gray (includes Tube Caps and Floor Mounting Hardware)
	**53-400301-003	Button Hd. Socket Cap Screw (3/8-16 x 3/4")	23.	*53-860960-xxx	Seat Color Kit (contains 1 each of item numbers: 1, 14, 20 and 21 and 6 each of item 19).
7.	N.A.	Table Frame Fixed/Fixed			
8.	11-125104-001	Hex Nut (3/8-16)			
9.	11-195016-001	Lockwasher (3/8)			
10.	11-191014-001	Flat Washer (3/8)			
11.	11-194140-000	N.A. Belleville Washer (3/8)			
12.	11-190014-003	N.A. Black Shim Washer (3/8)			
	11-190014-001	R.O. Flat Washer (3/8)			

N.A. = No Longer Available
R.O. = Replacement Option

NOTE: Last three digits in part number (suffix) designate color.

** Concrete Anchor - P/N 11-111560-000 must be used with Button Hd. Socket Cap Screw - P/N 53-400301-003.

* Color Chart

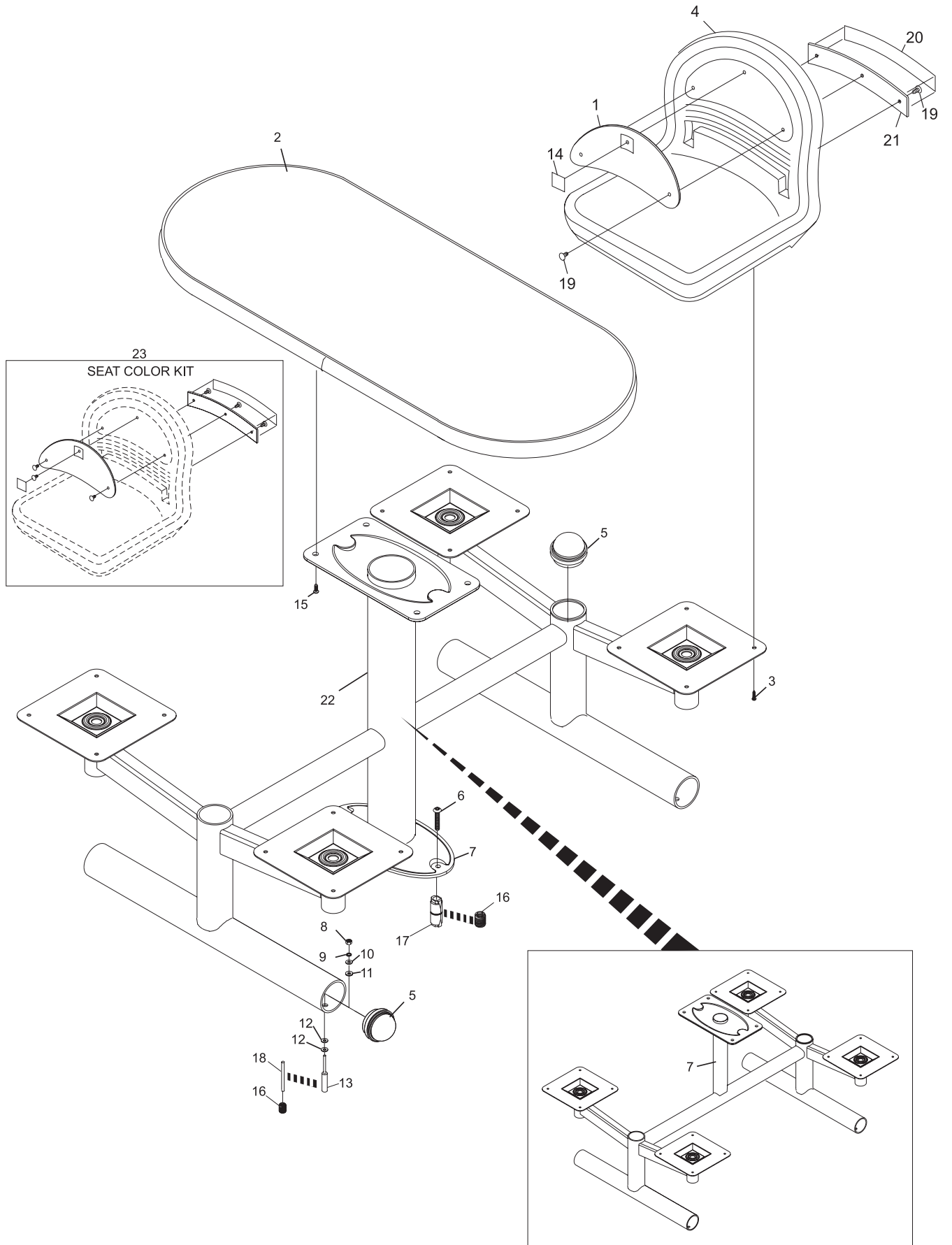
Part No.	Primary	Molding	Laminate
Suffix	Color	Color	
1997 Frameworx Color Series			
-220	Blueberry	Banana	Light & Glow
-221	Kiwi	Blueberry	Light & Glow
-222	Cranberry	Banana	Light & Glow
-223	Grape	Kiwi	Light & Glow
-224	Banana	Grape	Dark & Glow
-225	Strawberry	Banana	Dark & Glow
-226	Cranberry	Banana	Dark & Glow
-227	Banana	Grape	Light & Glow
-228	Strawberry	Banana	Light & Glow
-229	Blueberry	Banana	Dark & Glow
-230	Kiwi	Blueberry	Dark & Glow
-231	Grape	Kiwi	Dark & Glow
-232	Light Gray		

Part No.	Primary Color	Molding Color	Laminate
Suffix			
2009 Frameworx Color Series			
-003	Black	N.A.	N.A.
-260	Violet	Violet	Glow
-261	Daffodil	Daffodil	Glow
-262	Blaze Orange	Blaze Orange	Glow
-263	Malachite	Malachite	Glow
-264	Slate	Slate	Glow
-265	Jade	Jade	Non-Glow
-266	Navy	Navy	Non-Glow
-267	Eggplant	Eggplant	Non-Glow
-268	Silver	Silver	Non-Glow
-269	Slate	Slate w/Silver Stripe	Non-Glow

Part No.	Primary	Molding	Laminate
Suffix	Color	Color	
2005 Frameworx Premium Wood Finishes			
-310	Rosewood	Black	Rosewood
-311	Maple	Black	Maple
-312	Black	Black	Black

NOTE: Laminate and molding color options are only available for table tops. They are not available as a seat option. Please use the part number suffix and the primary color as a reference when selecting seat color options. In addition -264, -269, -310, -311 and -312 are available as table options only. They are not available as a seat color or fastener option.

Frameworkx Table Assembly with Fixed Arm and Fixed Seat



Framework Table Assembly with Fixed Arm and Fixed Seat

Index No.	Part No.	Description	Index No.	Part No.	Description
1.	N.A.	Front Insert (use index number 19 or 26)	23.	53-400309-000 53-860989-000	N.A. Rod (3/8-16 x 3") R.O. Table Mounting Hardware Pkg. (wood floor includes 4 of index Nos. 13 & 23 and 6 of index No. 22)
2.	53-860968-000 *53-861102-xxx 53-860999-000 *53-861103-xxx	N.A. Oval Table Top R.O. Oval Table Top w/Slot N.A. Oval Table Top - reduced length R.O. Oval Table Top w/Slot - reduced length	24.	*53-861010-xxx	Plastic Fastener for Inserts (Pkg. of 10) - No Longer available in -220 Blueberry, Order -232 Light Gray as a replacement option. The light gray -232 will also be the replacement color for other fasteners as inventory is depleted.
3.	53-400165-000 53-400165-100	Adapter Plate (Dark Gray) Adapter Plate (Silver)	25.	N.A.	Rear Insert (Gray)
4.	53-860959-000 53-860959-004	Contour Seat Pkg. (Dark Gray) Contour Seat Pkg. (Graphite)	26.	*53-860960-xxx	Seat Color Kit Pkg. contains 1 each of index Nos: 1, 19, 24, 25 and 29 and 6 each of item 24.
5.	11-082862-001	Self Tapping Screw (#14-10 x 1")	27.	11-006345-000	Button Hd. Cap Screw (3/8-16 x 1")
6.	53-400437-000 53-400231-000 53-860395-000	N.A. 60° Seat Swivel N.A. 45° Seat Swivel R.O. 45° Seat Swivel	28.	53-400462-000	Seat Support w/Swivel
7.	53-400109-000 53-400276-000 53-400109-100	N.A. Tube Cap 3" (light gray) R.O. Tube Cap 3" (light gray) Tube Cap 3" (silver)	29.	53-400111-xxx	Rear Decal (only sold separately for -220 to -225). Other colors order index 26.
8.	11-052037-001	Flat Washer	30.	***54-861046-xxx	N.A. Voltaire Seat (-001 Dark Cherry or -002 Maple Natural)
9.	11-051769-001	Lockwasher		54-861106-xxx	R.O. Easton Seat available in -001 Dark Cherry or -002 Natural Wood Finishes only (Pkg. of 2)
10.	11-054803-001	Button Socket Hd. Cap Screw (6mm x 16 mm)	31.	54-860511-xxx	Voltaire Seat - only (-001 Dark Cherry or -002 Maple Natural) (Pkg. of 4) - HBS
11.	53-400301-001 **53-400301-003	Button Hd. Cap Screw (3/8-16 x 2-1/4") Button Hd. Socket Cap Screw (3/8-16 x 3/4")	32.	11-051702-001	Hex Nut (6mm)
12.	N.A.	Table Frame Fixed/Swivel			
13.	11-125104-001	Hex Nut (3/8-16)			
14.	11-195016-001	Lockwasher (3/8)			
15.	11-191014-001	Flat Washer (3/8)			
16.	11-194140-000	N.A. Belleville Washer (3/8)			
17.	11-190014-003 11-190014-001	N.A. Black Shim Washer (3/8) R.O. Flat Washer (3/8)			
18.	11-111456-000	Concrete Rod (3/8-16 x 3-1/2")			
19.	53-400103-xxx	Front Decal			
20.	11-006345-000	Button Hd. Cap Screw (3/8-16 x 1")			
21.	N.A. **11-111560-000	Concrete Anchor (3/8-16) Concrete Anchor (3/8-16 x 1-9/16")			
22.	11-095011-000	Wood Insert (3/8)			

N.A. = No Longer Available
R.O. = Replacement Option

NOTE: Last three digits in part number (suffix) designate color.

** Concrete Anchor - Part No. 11-111560-000 must be used with Button Hd. Socket Cap Screw - Part No. 53-400301-003.

*** When replacing a Voltaire seat, customers must also order (2) 53-860395-000 45° seat swivels.

* Color Chart

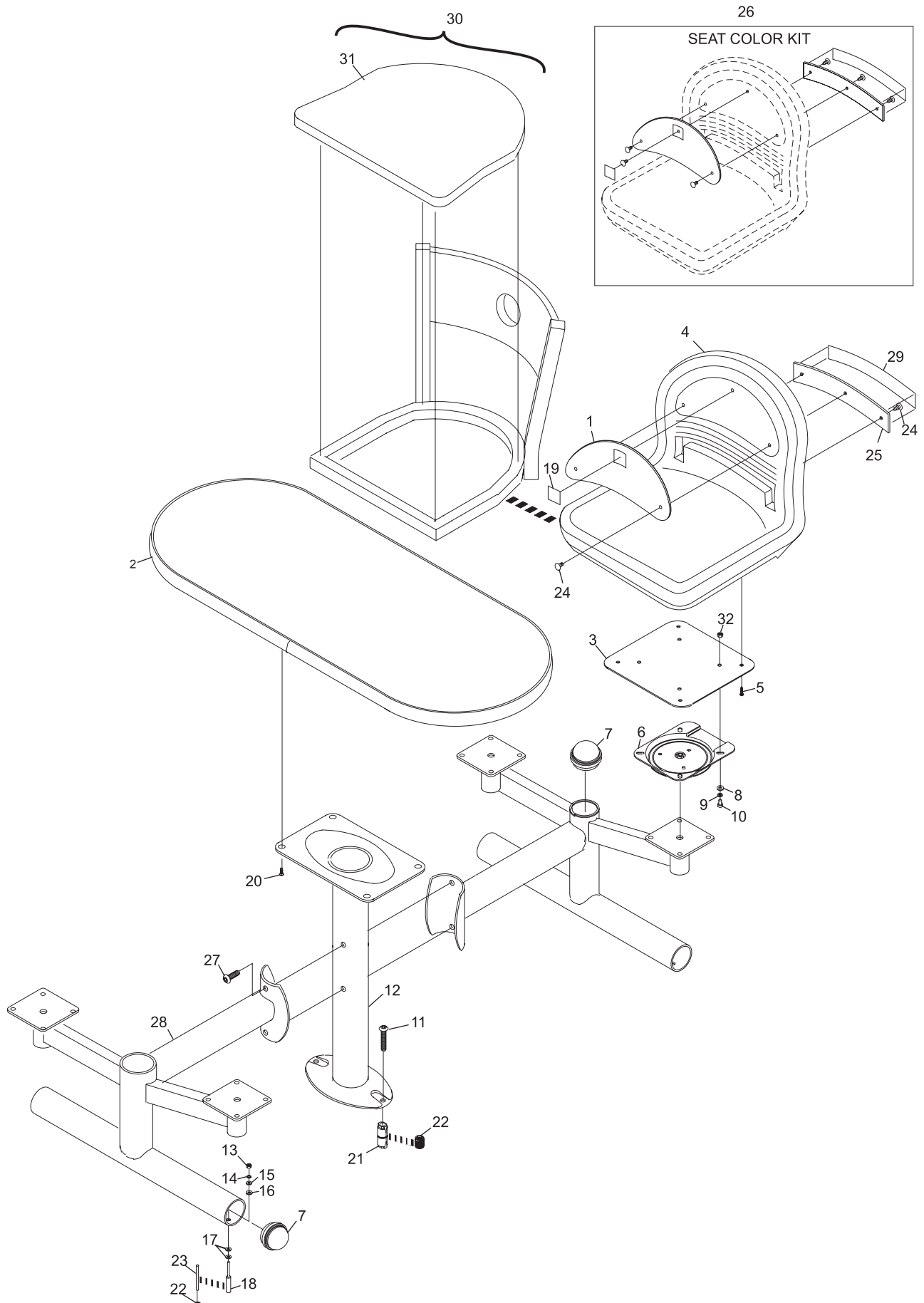
Part No.	Primary	Molding	Laminate
Suffix	Color	Color	
1997 Frameworx Color Series			
-220	Blueberry	Banana	Light & Glow
-221	Kiwi	Blueberry	Light & Glow
-222	Cranberry	Banana	Light & Glow
-223	Grape	Kiwi	Light & Glow
-224	Banana	Grape	Dark & Glow
-225	Strawberry	Banana	Dark & Glow
-226	Cranberry	Banana	Dark & Glow
-227	Banana	Grape	Light & Glow
-228	Strawberry	Banana	Light & Glow
-229	Blueberry	Banana	Dark & Glow
-230	Kiwi	Blueberry	Dark & Glow
-231	Grape	Kiwi	Dark & Glow
-232	Light Gray		

Part No.	Primary Color	Molding Color	Laminate
Suffix			
2009 Frameworx Color Series			
-003	Black	N.A.	N.A.
-260	Violet	Violet	Glow
-261	Daffodil	Daffodil	Glow
-262	Blaze Orange	Blaze Orange	Glow
-263	Malachite	Malachite	Glow
-264	Slate	Slate	Glow
-265	Jade	Jade	Non-Glow
-266	Navy	Navy	Non-Glow
-267	Eggplant	Eggplant	Non-Glow
-268	Silver	Silver	Non-Glow
-269	Slate	Slate w/Silver Stripe	Non-Glow

Part No.	Primary	Molding	Laminate
Suffix	Color	Color	
2005 Frameworx Premium Wood Finishes			
-310	Rosewood	Black	Rosewood
-311	Maple	Black	Maple
-312	Black	Black	Black

NOTE: Laminate and molding color options are only available for table tops. They are not available as a seat option. Please use the part number suffix and the primary color as a reference when selecting seat color options. In addition -264, -269, -310, -311 and -312 are available as table options only. They are not available as a seat color or fastener option.

Frameworx Table Assembly with Fixed Arm and Swivel Seat



Framework Table Assembly with Fixed Arm and Swivel Seat

Index			Index		
No.	Part No.	Description	No.	Part No.	Description
1.	N.A.	Front Insert (use index number 37)	24.	53-400125-000	Pivot Spring (left-hand wound)
2.	53-860968-000	N.A. Oval Table Top	25.	53-400435-000	L.H. Arm Weldment - Pivot/Swivel
	**53-861102-xxx	R.O. Oval Table Top w/Slot	26.	53-400309-000	Rod (3/8-16 x 3")
	53-860999-000	N.A. Oval Table Top - reduced length	27.	53-400434-000	R.H. Arm Weldment - Pivot/Swivel
	**53-861103-xxx	R.O. Oval Table Top w/Slot - reduced length	28.	53-400131-000	Pivot Shaft
3.	53-400165-000	Adapter Plate (Dark Gray)	29.	11-006345-000	Button Hd. Cap Screw (3/8-16 x 1")
	53-400165-100	Adapter Plate (Silver)	30.	53-860990-000	Wood Insert (3/8)
4.	53-860959-000	Contour Seat Pkg. (Dark Gray)	31.	**53-860101-xxx	Plastic Fasteners for Insert (Pkg. of 10)
	53-860959-004	Contour Seat Pkg. (Graphite)	32.	53-400111-xxx	Rear Decal
	11-082862-001	Self Tapping Screw (#14-10 x 1")	33.	N.A.	Rear Insert - Gray (use index number 37)
6.	53-400437-000	N.A. 60° Seat Swivel	34.	53-400103-xxx	N.A. Front Decal
	53-860395-000	R.O. 45° Seat Swivel	35.	53-400462-000	Seat Support w/Swivel
	53-400231-000	N.A. 45° Seat Swivel	36.	11-006345-000	Button Hd. Cap Screw (3/8-16 x 1")
7.	53-400109-000	N.A. Tube Cap 3" (light gray)	37.	**53-860960-xxx	Seat Color Kit contains 1 each of item numbers: 1, 32, 33 and 34 and 6 each of item 31. (Not Illustrated)
	53-400276-000	R.O. Tube Cap 3" (light gray)	38.	53-400124-000	Pivot Spring (right-hand wound)
	53-400109-100	Tube Cap 3" (silver)	39.	*53-861072-000	N.A. Swing Swivel Weldment Pkg. (Gray) includes index numbers 7, 29, 35, 36, 40 and 41
8.	11-052037-001	Flat Washer		*53-861072-100	N.A. Swing Swivel Weldment Pkg. (Silver) (includes index numbers 7, 29, 35, 36, 40 & 41)
9.	11-051769-001	Lockwasher	40.	53-866072-000	R.O. Swing Swivel Weldment
10.	11-054803-001	Button Socket Hd. Cap Screw (6mm x 16mm)	41.	**53-400464-000	N.A. Table Support
11.	53-400301-001	Button Hd. Cap Screw (3/8-16 x 2-1/4")		**53-861100-001	Table Weldment Hardware Pkg. (includes index Nos. 14, 15, 16 & 18)
	53-400301-003	Button Hd. Socket Cap Screw (3/8-16 x 3/4")	42.	*54-861046-xxx	N.A. Voltaire Seat (-001 Dark Cherry or -002 Maple Natural)
12.	N.A.	Table Frame - Pivot/Swivel		54-861106-xxx	R.O. Easton Seat available in -001 Dark Cherry or -002 Maple Natural Wood Finishes only (Pkg. of 2)
13.	11-125104-001	Hex Nut (3/8-16)	43.	54-860511-xxx	54-860511-xxx Voltaire Seat - only (-001 Dark Cherry or -002 Maple Natural) (Pkg. of 4)
14.	11-195016-001	Lockwasher (3/8)	44.	11-095014-000	Nut Insert (3/8-16 x .984" Hex Drive)
15.	11-191014-001	Flat Washer (3/8)	45.	11-051702-001	Hex Nut (6 mm)
16.	11-194140-001	Belleville Washer (3/8)			
17.	11-190014-003	N.A. Black Shim Washer (3/8)			
18.	11-190014-001	R.O. Flat Washer (3/8)			
19.	N.A.	Concrete Stud (3/8-16 x 3-1/2")			
	11-111560-000	Concrete Anchor (3/8-16)			
20.	11-101164-001	Concrete Anchor (3/8-16 x 1-9/16")			
21.	53-400132-000	Set Screw (1/4-20 x 1/2")			
22.	53-400130-000	N.A. Pivot Arm Bumper			
23.	53-861055-000	R.O. Swivel Bearing			
	53-400229-000	Swivel Bearing			
		Spring Sleeve			

N.A. = No Longer Available
R.O. = Replacement Option

* Not Illustrated

** Color Chart - last three digits in part number (suffix) designate color.

*** Concrete Anchor (P/N 11-111560-000 must be used with Button Hd. Socket Cap Screw (P/N 53-400301-003).

**** When replacing a Voltaire seat, customers must also order (2) 53-860395-000 45° seat swivels.

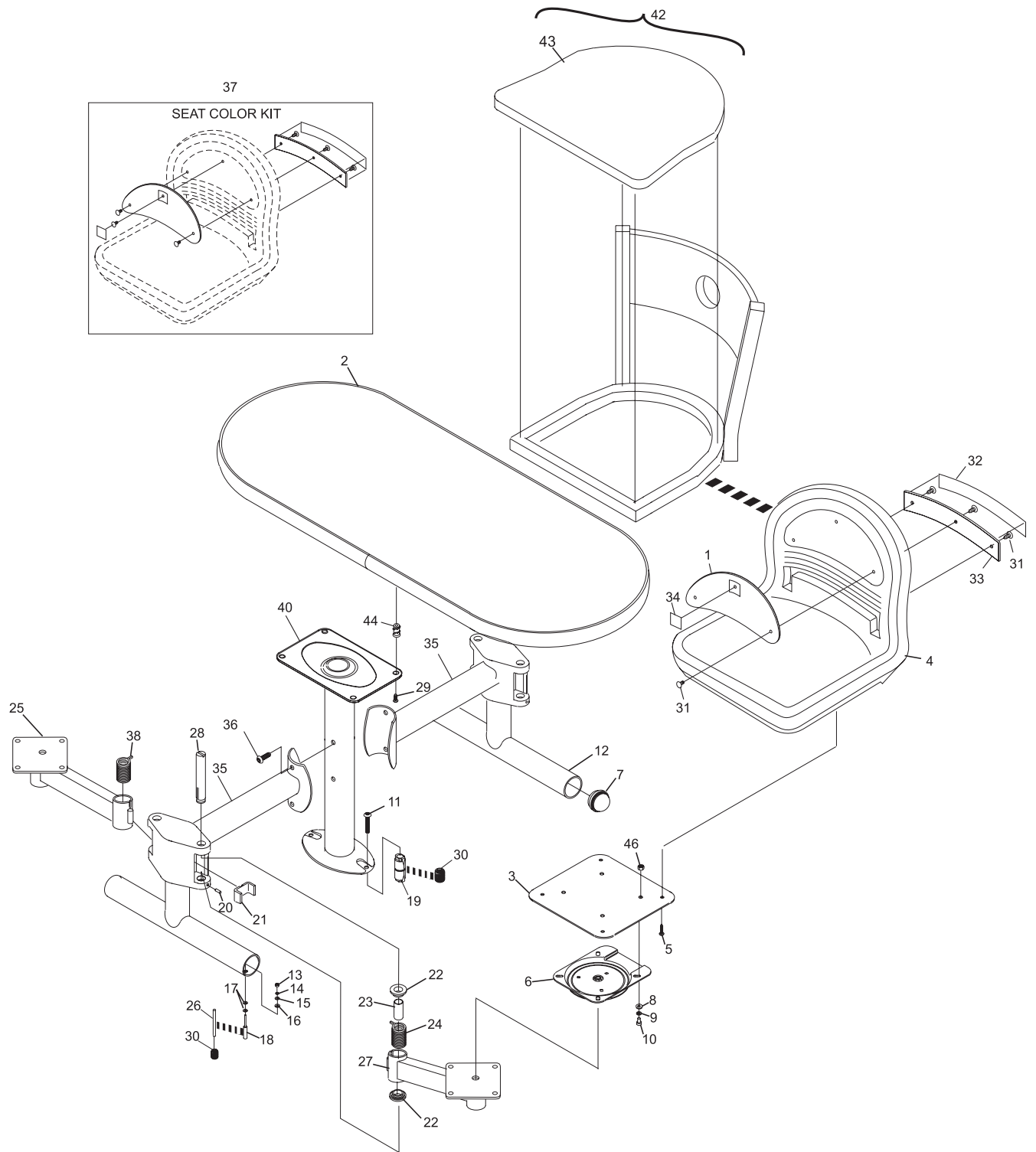
Part No.	Primary	Molding	Laminate
Suffix	Color	Color	
1997 Frameworx Color Series			
-220	Blueberry	Banana	Light & Glow
-221	Kiwi	Blueberry	Light & Glow
-222	Cranberry	Banana	Light & Glow
-223	Grape	Kiwi	Light & Glow
-224	Banana	Grape	Dark & Glow
-225	Strawberry	Banana	Dark & Glow
-226	Cranberry	Banana	Dark & Glow
-227	Banana	Grape	Light & Glow
-228	Strawberry	Banana	Light & Glow
-229	Blueberry	Banana	Dark & Glow
-230	Kiwi	Blueberry	Dark & Glow
-231	Grape	Kiwi	Dark & Glow
-232	Light Gray		

Part No.	Primary Color	Molding Color	Laminate
Suffix			
2009 Frameworx Color Series			
-003	Black	N.A.	N.A.
-260	Violet	Violet	Glow
-261	Daffodil	Daffodil	Glow
-262	Blaze Orange	Blaze Orange	Glow
-263	Malachite	Malachite	Glow
-264	Slate	Slate	Glow
-265	Jade	Jade	Non-Glow
-266	Navy	Navy	Non-Glow
-267	Eggplant	Eggplant	Non-Glow
-268	Silver	Silver	Non-Glow
-269	Slate	Slate w/Silver Stripe	Non-Glow

Part No.	Primary	Molding	Laminate
Suffix	Color	Color	
2005 Frameworx Premium Wood Finishes			
-310	Rosewood	Black	Rosewood
-311	Maple	Black	Maple
-312	Black	Black	Black

NOTE: Laminate and molding color options are only available for table tops. They are not available as a seat option. Please use the part number suffix and the primary color as a reference when selecting seat color options. In addition -264, -269, -310, -311 and -312 are available as table options only. They are not available as a seat color or fastener option.

Frameworkx Table Assembly with Pivot Arm and Swivel Seat



Framework Table Assembly with Pivot Arm and Swivel Seat

Index

No.	Part No.	Description
1.	*53-860971-xxx	Round End Table Top
2.	*53-860972-xxx	Trapezoidal Table Top
3.	*53-860973-xxx	Rectangular Table Top
4.	*53-860969-xxx	Triangular Table Top
5.	53-860943-000	Modesty Panel (Dolphin Gray)
	53-860943-264	Modesty Panel (Slate)
6.	53-860949-000	Triangular Table Bracket
7.	53-400301-002	N.A. Bolt (3/8-16 x 1")
8.	53-400325-000	N.A. Mod Wall Leg Assembly
	53-866942-000	R.O. Mod Wall Support Pkg. - includes 2 Leg Weldments and Hardware (Dark Gray)
	53-866942-100	Mod Wall Support Pkg. - includes 2 Leg Weldments and Hardware (Silver)
9.	53-400302-000	Hole Plugs
10.	N.A.	Concrete Anchor (3/8-16)
	**11-111560-000	Hilti Concrete Anchor (3/8-16 x 1-9/16")
11.	53-860945-000	Shelf Insert
	53-860945-004	Shelf Insert (Graphite)
12.	11-095011-000	Wood Insert (3/8-16 x 1.181")
13.	53-400301-001	Button Hd. Cap Screw (3/8-16 x 2-1/4")
	**53-400301-003	Button Hd. Socket Cap Screw (3/8-16 x 3/4")
14.	11-006345-000	Button Hd. Cap Screw (3/8-16 x 1")
15.	53-866944-000	Mod Wall Ball Rack Accessory (Dark Gray)
	53-866944-100	Mod Wall Ball Rack Accessory (Silver)
16.	*53-860942-001	Mod Wall Support and Hardware Pkg. (includes index numbers 9,10, and 13)

N.A. = No Longer Available
R.O. = Replacement Option

* Not Illustrated

NOTE: Last three digits in part number (suffix) designate color.

* Color Chart

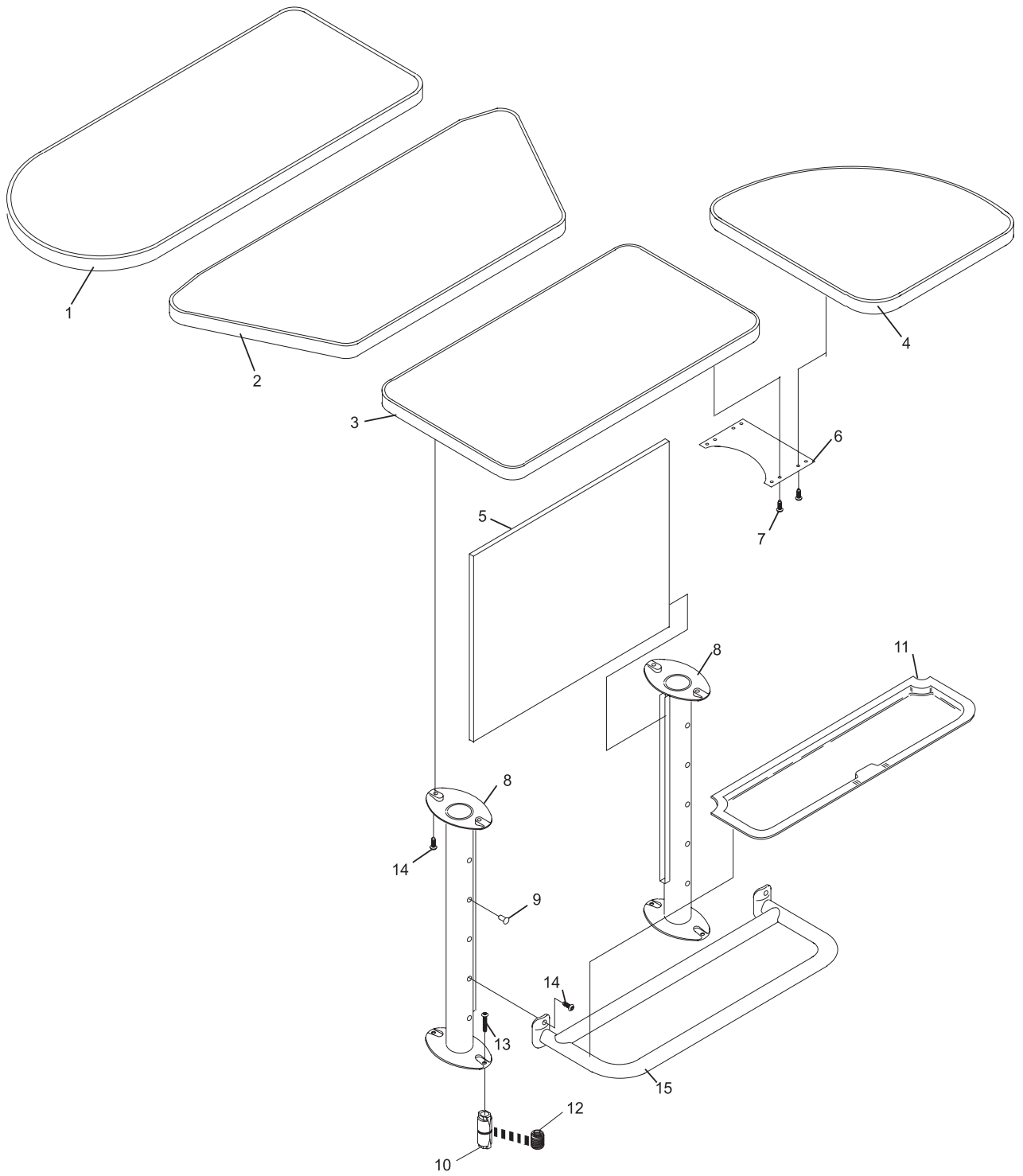
Part No.	Primary	Molding	Laminate
Suffix	Color	Color	
1997 Frameworx Color Series			
-220	Blueberry	Banana	Light & Glow
-221	Kiwi	Blueberry	Light & Glow
-222	Cranberry	Banana	Light & Glow
-223	Grape	Kiwi	Light & Glow
-224	Banana	Grape	Dark & Glow
-225	Strawberry	Banana	Dark & Glow
-226	Cranberry	Banana	Dark & Glow
-227	Banana	Grape	Light & Glow
-228	Strawberry	Banana	Light & Glow
-229	Blueberry	Banana	Dark & Glow
-230	Kiwi	Blueberry	Dark & Glow
-231	Grape	Kiwi	Dark & Glow

Part No.	Primary Color	Molding Color	Laminate
Suffix			
2009 Frameworx Color Series			
-260	Violet	Violet	Glow
-261	Daffodil	Daffodil	Glow
-262	Blaze Orange	Blaze Orange	Glow
-263	Malachite	Malachite	Glow
-264	Slate	Slate	Glow
-265	Jade	Jade	Non-Glow
-266	Navy	Navy	Non-Glow
-267	Eggplant	Eggplant	Non-Glow
-268	Silver	Silver	Non-Glow
-269	Slate Slate	w/Silver Stripe	Non-Glow

Part No.	Primary	Molding	Laminate
Suffix	Color	Color	
2005 Frameworx Premium Wood Finishes			
-310	Maple	Black	Maple
-311	Rosewood	Black	Rosewood
-312	Black	Black	Black

** Concrete Anchor - Part No. 11-111560-000 must be used with Button Hd. Socket Cap Screw - Part No. 53-400301-003. To receive 4 each, order Part No. 53-860963-001.

Frameworx Modular Wall Base Unit with Optional Storage Rack Assembly



Frameworx Modular Wall Base Unit with Optional Storage Rack Assembly

Index

No.	Part No.	Description
1.	53-860959-000	Contour Seat Pkg. (Dark Gray)
	53-860959-004	Contour Seat Pkg. (Graphite)
2.	53-400357-000	N.A. Modular Wall Chair Weldment - Fixed/Swivel (Dark Gray)
	53-400357-100	Modular Wall Chair Weldment - Fixed/Swivel (Silver)
3.	53-400109-000	N.A. Tube Cap 3" (light gray)
	53-400276-000	R.O. Tube Cap 3" (light gray)
	53-400109-100	Tube Cap 3" (silver)
4.	53-400165-000	Adapter Plate
5.	53-400437-000	N.A. 60° Seat Swivel
	53-400231-000	N.A. 45° Seat Swivel
	53-860395-000	R.O. 45° Seat Swivel
6.	11-052037-001	Flat Washer
7.	11-051769-001	Lockwasher
8.	11-054803-001	Socket Hd. Cap Screw
9.	53-400301-001	Button Hd. Cap Screw (3/8-16 x 2-1/4")
	**53-400301-003	Button Hd. Socket Cap Screw (3/8-16 x 3/4")
10.	11-095011-000	Wood Insert (3/8-16 x 1.81")
11.	N.A.	Concrete Anchor (3/8-16)
	**11-111560-000	Hilti Concrete Anchor (3/8-16 x 1-9/16")
12.	*53-861010-xxx	Plastic Fastener for Inserts (Pkg. of 10) - No Longer available in -220 Blueberry, Order -232 Light Gray as a replacement option. The light gray -232 will also be the replacement color for other fasteners as inventory is depleted.
13.	*N.A.	Front Insert (use index number 19)
14.	*53-400103-xxx	Front Decal
15.	N.A.	Rear Insert - Gray (use index number 19)
16.	*53-400111-xxx	Rear Decal
17.	11-082862-001	Self Tapping Screw (#14-10 x 1")
18.	53-861066-000	Seat Back Cap w/Fasteners (Dark Gray)
19.	*53-860960-xxx	Color Seat Kit (This package contains 1 each of item numbers: 13, 14, 15 and 16 and 6 each of item 12.)
20.	***54-861106-001	R.O. Voltaire Seat (-001 Dark Cherry or -002 Maple Natural)
	***54-861106-xxx	R.O. Easton Seat available in -001 Dark Cherry or -002 Natural wood finishes only (Pkg. of 2)
21.	54-860511-xxx	Voltaire Seat - only (-001 Dark Cherry or -002 Maple Natural) (Pkg. of 4)
	54-860512-xxx	Pkg - Replacement, Seat Bottom Style B. - Alden, Brodrick, Easton, Montgomery. (2 per pkg.)
	54860513-xxx	Pkg. - Replacement, seat bottom Style C. - Wayland
22.	11-051702-001	Hex Nut (6mm)

N.A. = No Longer Available

NOTE: Last three digits in part number (suffix) designate color.

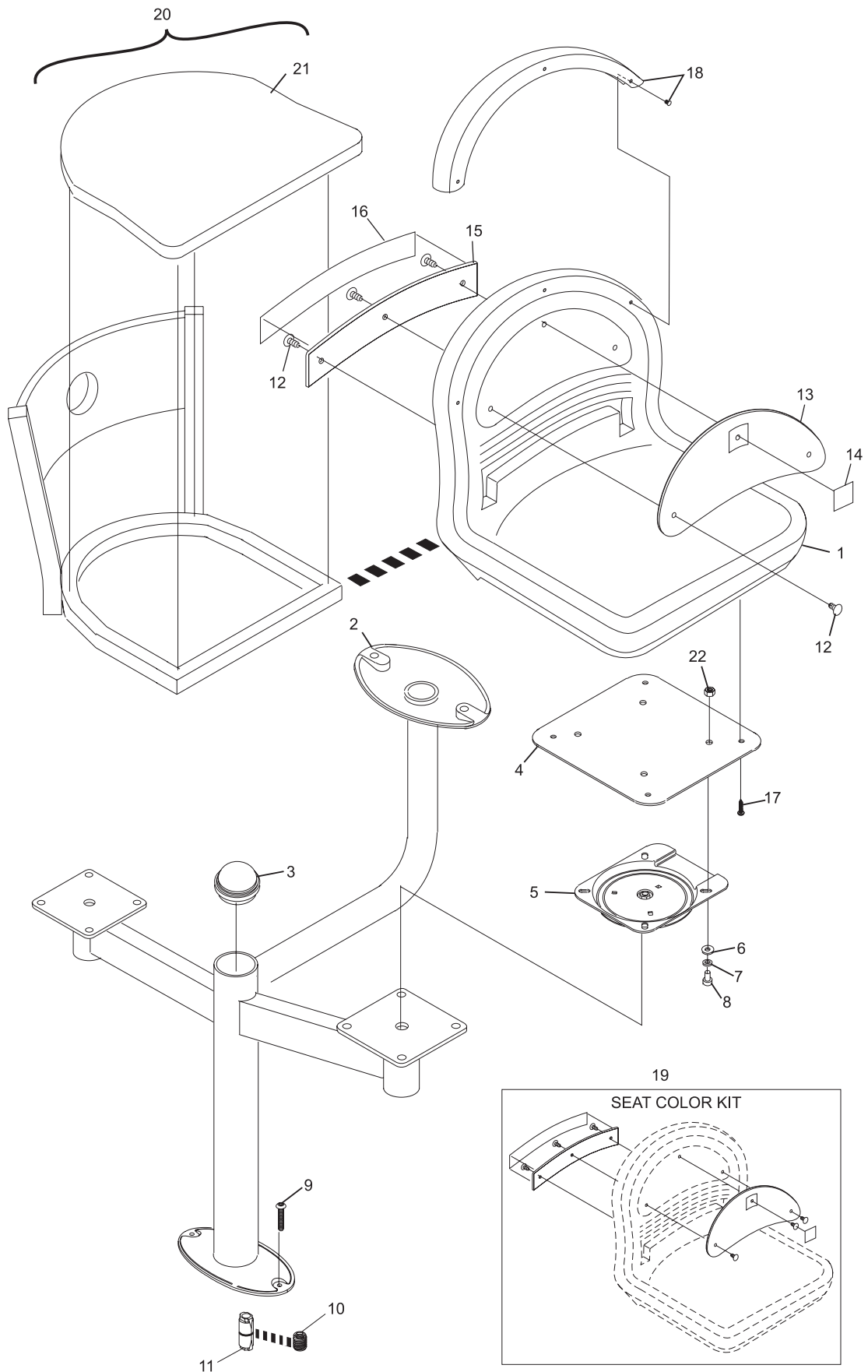
* Color Chart

Part No. Suffix	Primary Color	Part No. Suffix	Primary Color
1997 Frameworx Color Series		2009 Frameworx Color Series	
-220	Blueberry	-003	Black
-221	Kiwi	-260	Violet
-222	Cranberry	-261	Daffodil
-223	Grape	-262	Blaze Orange
-225	Strawberry	-263	Malachite
-226	Cranberry	-265	Jade
-227	Banana	-266	Navy
-228	Strawberry	-267	Eggplant
-230	Kiwi	-268	Silver
-231	Grape		
-232	Light Gray		

** Concrete Anchor - Part No. 11-111560-000 must be used with Button Hd. Socket Cap Screw - Part No. 53-400301-003.

*** When replacing a Voltaire seat, customers must also order (2) 53-860395-000 45° seat swivels.

Frameworkx Modular Wall Seating with Fixed Arm and Swivel Seat



Framework Modular Wall Seating with Fixed Arm and Swivel Seat

Index

No.	Part No.	Description
1.	53-860959-000	Contour Seat Pkg. (Light Gray)
	53-860959-004	Contour Seat Pkg. (Graphite)
2.	53-400165-000	Adapter Plate (Dark Gray)
	53-400165-100	Adapter Plate (Silver)
3.	53-400360-000	N.A. Modular Wall Chair Weldment - Pivot/Swivel
4.	53-400437-000	N.A. 60° Seat Swivel
	53-400231-000	N.A. 45° Seat Swivel
	53-860395-000	R.O. 45° Seat swivel
5.	53-400131-000	Shaft Detail
6.	53-400435-000	L.H. Arm Weldment - Pivot/Swivel
7.	11-103204-001	N.A. Set Screw (5/16-18 x 1/2")
8.	53-400132-000	Swing Arm Bumper
9.	N.A.	Concrete Anchor (3/8-16)
	**11-111560-000	Concrete Anchor (3/8-16 x 1-9/16")
10.	53-400229-000	Spring Sleeve
11.	53-400124-000	Pivot Spring (right-hand wound)
12.	53-400130-000	Swivel Bearing
13.	53-400434-000	R.H. Arm Weldment - Pivot/Swivel
14.	11-052037-001	Flat Washer
15.	11-051769-001	Lockwasher
16.	11-054803-001	Socket Hd. Cap Screw
17.	53-400301-001	Button Hd. Cap Screw (3/8-16 x 2-1/4")
	**53-400301-003	Button Hd. Socket Cap Screw (3/8-16 x 3/4")
18.	11-095011-000	Wood Insert (3/8-16 x 1.181)
19.	11-082862-001	Self Tapping Screw (#14-10 x 1")
20.	*53-861010-xxx	Plastic Fastener for Inserts (Pkg. of 10) - No Longer available in -220 Blueberry, Order -232 Light Gray as a replacement option. The light gray -232 will also be the replacement color for other fasteners as inventory is depleted.
21.	N.A.	Front Insert (use index number 19)
22.	53-400103-xxx	Front Decal
23.	N.A.	Rear Insert - Gray (use index number 19)
24.	53-400111-xxx	Rear Decal
25.	53-861066-000	Seat Back Cap w/Fasteners (Dark Gray)
26.	*53-860960-xxx	Seat Color Kit (contains 1 each of item numbers 21, 22, 23 and 24 and 6 each of item 20)
27.	53-400125-000	Pivot Spring (left-hand wound)
28.	***54-861046-xxx	N.A. Voltaire Seat (-001 Dark Cherry or -002 Maple Natural)
	54-861106-xxx	R.O. Easton Seat available in: -001 Dark Cherry or 002 Natural wood finishes only (Pkg. of 2)
29.	54-8600511-xxx	Voltaire Seat - only (-001 Dark Cherry or -002 Maple Natural) (Pkg. of 4)
	54-860512-xxx	Pkg - Replacement, Seat Bottom Style B. - Alden, Brodrick, Easton, Montgomery. (2 per pkg.)
	54860513-xxx	Pkg. - Replacement, seat bottom Style C. - Wayland
30.	11-051702-001	Hex Nut (6mm)

N.A. = No Longer Available

NOTE: Last three digits in part number (suffix) designate color.

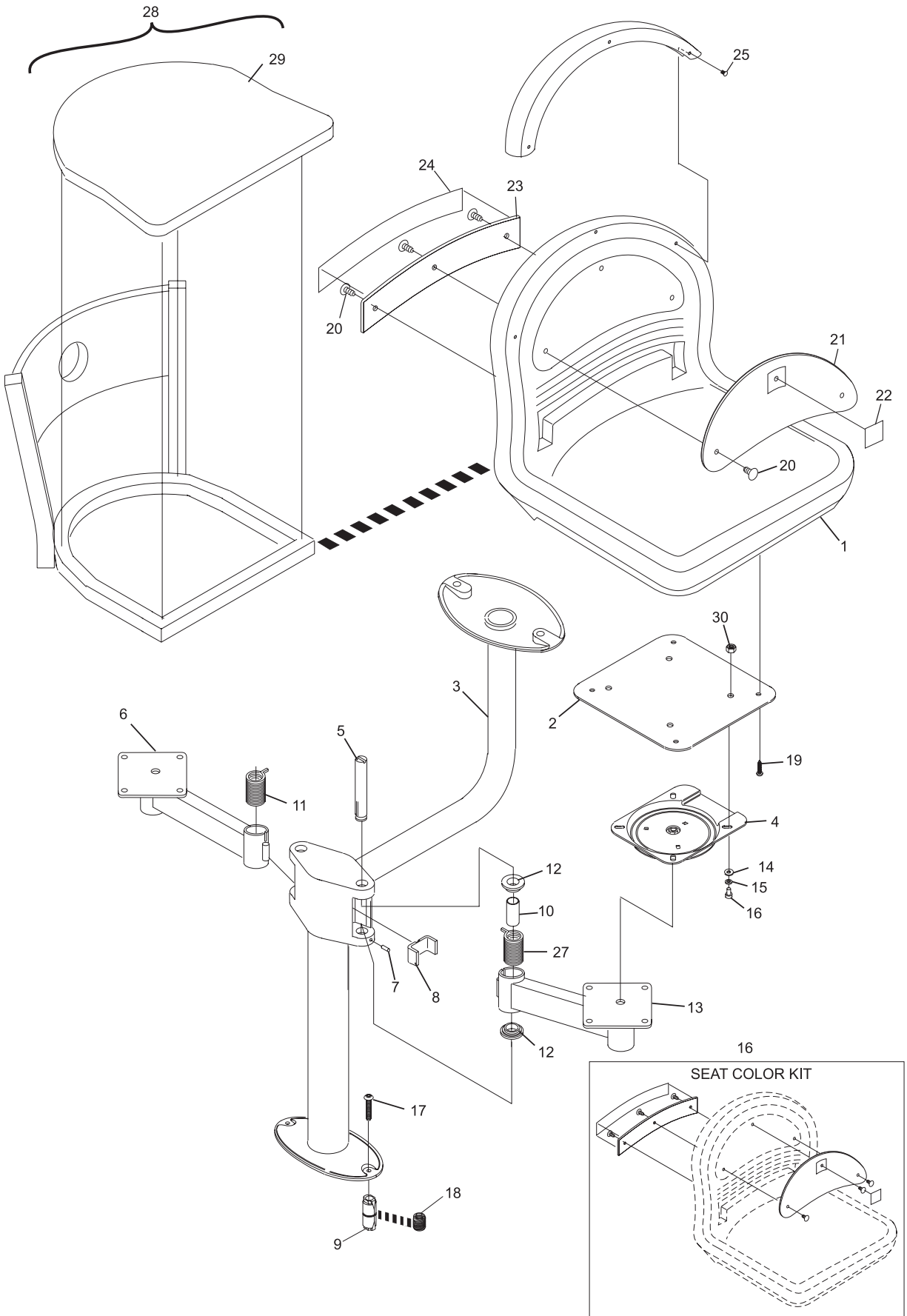
* Color Chart

Part No. Suffix	Primary Color	Part No. Suffix	Primary Color
1997 Frameworx Color Series		2009 Frameworx Color Series	
-220	Blueberry	-003	Black
-221	Kiwi	-260	Violet
-222	Cranberry	-261	Daffodil
-223	Grape	-262	Blaze Orange
-225	Strawberry	-263	Malachite
-226	Cranberry	-265	Jade
-227	Banana	-266	Navy
-228	Strawberry	-267	Eggplant
-230	Kiwi	-268	Silver
-231	Grape		
-232	Light Gray		

** Concrete Anchor - Part No. 11-111560-000 must be used with Button Hd. Socket Cap Screw - Part No. 53-400301-003.

*** When replacing a Voltaire seat, customers must also order (2) 53-860395-000 45° seat swivels.

Frameworkx Modular Wall Seating with Pivot Arm and Swivel Seat



Framework Modular Wall Seating with Pivot Arm and Swivel Seat

Index

No.	Part No.	Description
1.	*53-860970-xxx	Round Table Top
2.	11-006345-000	Button Hd. Cap Screw (3/8-16 x 1")
3.	53-866964-000	Round Table Frame (Dark Gray)
	53-866964-100	Round Table Frame (Silver)
4.	53-400301-001	Button Hd. Cap Screw (3/8-16 x 2-1/4")
	**53-400301-003	Button Hd. Socket Cap Screw (3/8-16 x 3/4")
5.	N.A.	Concrete Anchor (3/8-16)
	**11-111560-000	Concrete Anchor (3/8-16 x 1-9/16")
6.	11-095011-000	Wood Insert (3/8-16 x 1.181")

N.A. = No Longer Available

NOTE: Last three digits in part number (suffix) designate color.

* Color Chart

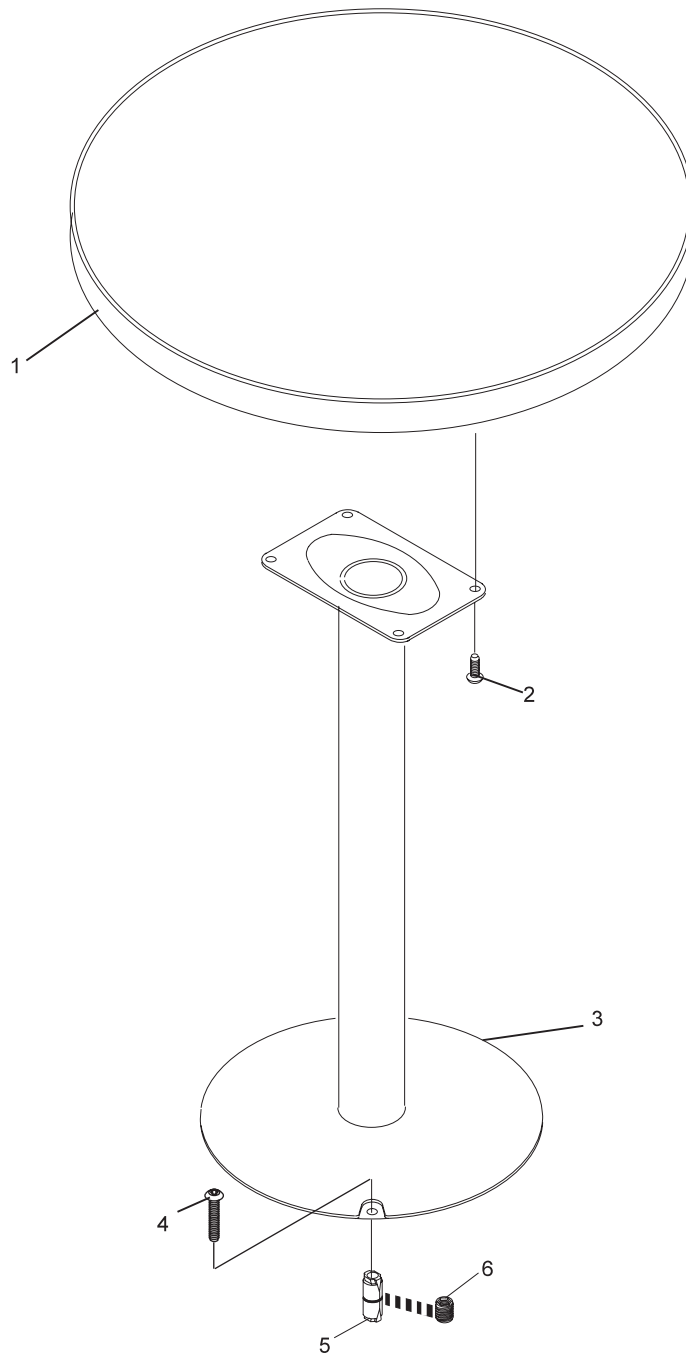
Part No. Suffix	Primary Color	Molding Color	Laminate
1997 Framework Color Series			
-220	Blueberry	Banana	Light & Glow
-221	Kiwi	Blueberry	Light & Glow
-222	Cranberry	Banana	Light & Glow
-223	Grape	Kiwi	Light & Glow
-224	Banana	Grape	Dark & Glow
-225	Strawberry	Banana	Dark & Glow
-226	Cranberry	Banana	Dark & Glow
-227	Banana	Grape	Light & Glow
-228	Strawberry	Banana	Light & Glow
-229	Blueberry	Banana	Dark & Glow
-230	Kiwi	Blueberry	Dark & Glow
-231	Grape	Kiwi	Dark & Glow

Part No. Suffix	Primary Color	Molding Color	Laminate
2009 Framework Color Series			
-260	Violet	Violet	Glow
-261	Daffodil	Daffodil	Glow
-262	Blaze Orange	Blaze Orange	Glow
-263	Malachite	Malachite	Glow
-264	Slate	Slate	Glow
-265	Jade	Jade	Non-Glow
-266	Navy	Navy	Non-Glow
-267	Eggplant	Eggplant	Non-Glow
-268	Silver	Silver	Non-Glow
-269	Slate Slate	w/Silver Stripe	Non-Glow

Part No. Suffix	Primary Color	Molding Color	Laminate
2005 Framework Premium Wood Finishes			
-310	Maple	Black	Maple
-311	Rosewood	Black	Rosewood
-312	Black	Black	Black

** Concrete Anchor - Part No. 11-111560-000 must be used with Button Hd. Socket Cap Screw - Part No. 53-400301-003.

Framework Stand-Alone Round Table



Frameworkx Stand-Alone Round Table

Index

No.	Part No.	Description
1.	53-860969-xxx	Triangular Table Top
2.	53-400301-001	Button Hd. Cap Screw (3/8-16 x 2-1/4")
	**53-400301-003	Button Hd. Socket Cap Screw (3/8-16 x 3/4")
3.	53-860966-000	Triangular Table Base (Dark Gray)
	53-860966-000	Triangular Table Base (Silver)
4.	11-006345-000	Button Hd. Cap Screw (3/8-16 x 1")
5.	53-400361-000	N.A. Rail
	53-860967-000	N.A. Arm Rail w/Hardware (Dark Gray)
	53-860967-100	N.A. Arm Rail w/Hardware (Silver)
6.	N.A.	Concrete Anchor (3/8-16)
	**11-111560-000	Concrete Anchor (3/8-16 x 1-9/16")
7.	11-095011-000	Wood Insert (3/8-16 x 1-181")
8.	11-190512-001	Flat Washer (#13 x 32)
9.	11-001354-001	Hex Head Machine Screw (3/8-16 x 2-1/2")

N.A. = No Longer Available

NOTE: Last three digits in part number (suffix) designate color.

* Color Chart

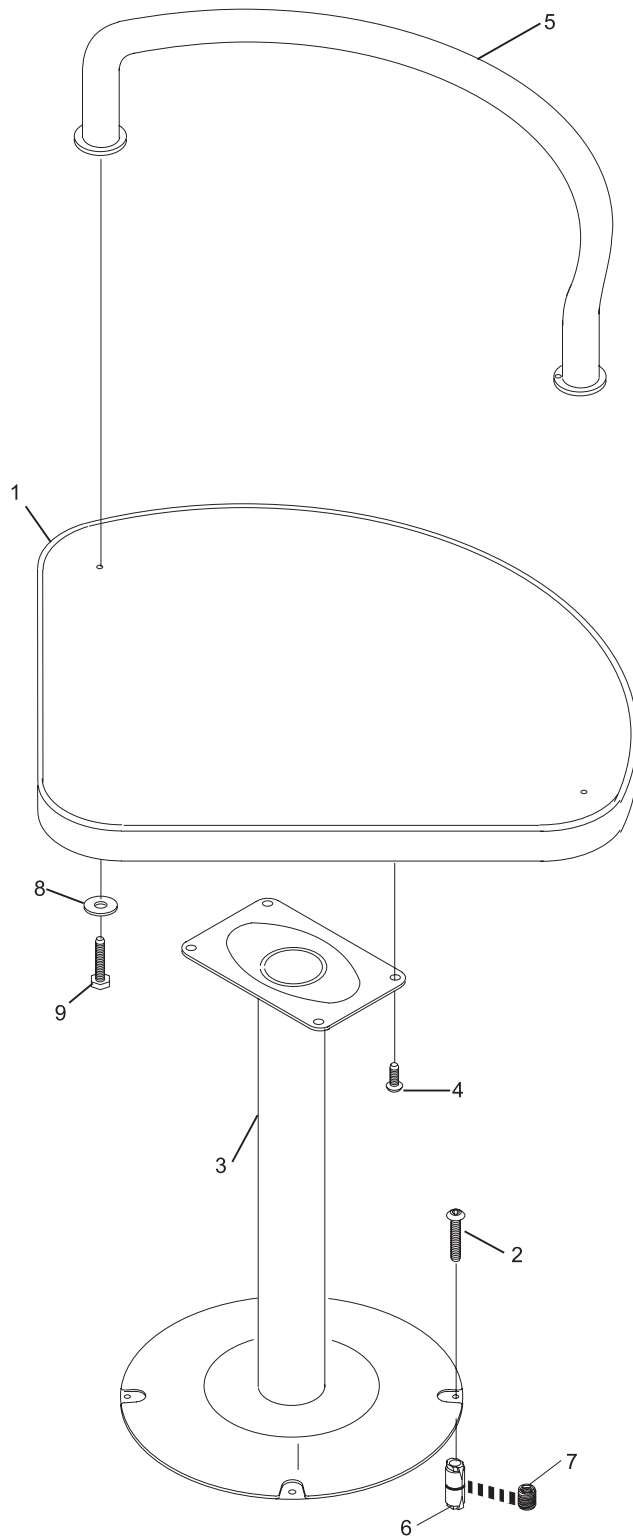
Part No.	Primary Color	Molding Color	Laminate
Suffix	Color	Color	
1997 Frameworx Color Series			
-220	Blueberry	Banana	Light & Glow
-221	Kiwi	Blueberry	Light & Glow
-222	Cranberry	Banana	Light & Glow
-223	Grape	Kiwi	Light & Glow
-224	Banana	Grape	Dark & Glow
-225	Strawberry	Banana	Dark & Glow
-226	Cranberry	Banana	Dark & Glow
-227	Banana	Grape	Light & Glow
-228	Strawberry	Banana	Light & Glow
-229	Blueberry	Banana	Dark & Glow
-230	Kiwi	Blueberry	Dark & Glow
-231	Grape	Kiwi	Dark & Glow

Part No.	Primary Color	Molding Color	Laminate
Suffix	Color	Color	
2009 Frameworx Color Series			
-260	Violet	Violet	Glow
-261	Daffodil	Daffodil	Glow
-262	Blaze Orange	Blaze Orange	Glow
-263	Malachite	Malachite	Glow
-264	Slate	Slate	Glow
-265	Jade	Jade	Non-Glow
-266	Navy	Navy	Non-Glow
-267	Eggplant	Eggplant	Non-Glow
-268	Silver	Silver	Non-Glow
-269	Slate Slate	w/Silver Stripe	Non-Glow

Part No.	Primary Color	Molding Color	Laminate
Suffix	Color	Color	
2005 Frameworx Premium Wood Finishes			
-310	Maple	Black	Maple
-311	Rosewood	Black	Rosewood
-312	Black	Black	Black

** Concrete Anchor - Part No. 11-111560-000 must be used with Button Hd. Socket Cap Screw - Part No. 53-400301-003.

Frameworkx Stand-Alone Triangular Table



Frameworx Stand-Alone Triangular Table

Index

No.	Part No.	Description
1.	*53-860970-xxx	Round Table
2.	11-006345-000	Button Hd. Cap Screw (3/8-16 x 1")
3.	53-860963-000	N.A. Round Ball Rack
	53-866028-000	3-Tier Round Ball Rack (Dark Gray)
	53-866028-100	3-Tier Round Ball Rack (Silver)
4.	53-400301-001	Button Hd. Cap Screw (3/8-16 x 2-1/4")
	**53-400301-003	Button Hd. Socket Cap Screw (3/8-16 x 3/4")
5.	53-860990-000	Wood Insert (3/8-16 x 1.181")
6.	N.A.	Concrete Anchor (3/8-16 x 3/4")
	**11-111560-000	Concrete Anchor (3/8-16 x 1-9/16")

N.A. = No Longer Available

NOTE: Last three digits in part number (suffix) designate color.

* Color Chart

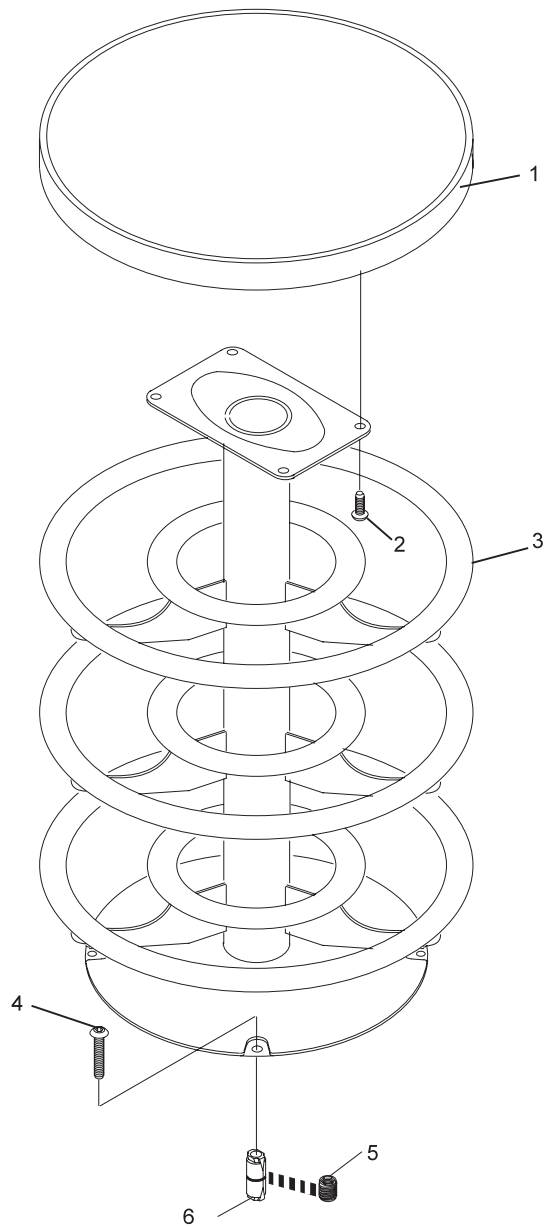
Part No.	Primary	Molding	Laminate
Suffix	Color	Color	
1997 Framworx Color Series			
-220	Blueberry	Banana	Light & Glow
-221	Kiwi	Blueberry	Light & Glow
-222	Cranberry	Banana	Light & Glow
-223	Grape	Kiwi	Light & Glow
-224	Banana	Grape	Dark & Glow
-225	Strawberry	Banana	Dark & Glow
-226	Cranberry	Banana	Dark & Glow
-227	Banana	Grape	Light & Glow
-228	Strawberry	Banana	Light & Glow
-229	Blueberry	Banana	Dark & Glow
-230	Kiwi	Blueberry	Dark & Glow
-231	Grape	Kiwi	Dark & Glow

Part No.	Primary Color	Molding Color	Laminate
Suffix			
2009 Framworx Color Series			
-260	Violet	Violet	Glow
-261	Daffodil	Daffodil	Glow
-262	Blaze Orange	Blaze Orange	Glow
-263	Malachite	Malachite	Glow
-264	Slate	Slate	Glow
-265	Jade	Jade	Non-Glow
-266	Navy	Navy	Non-Glow
-267	Eggplant	Eggplant	Non-Glow
-268	Silver	Silver	Non-Glow
-269	Slate Slate	w/Silver Stripe	Non-Glow

Part No.	Primary	Molding	Laminate
Suffix	Color	Color	
2005 Framworx Premium Wood Finishes			
-310	Maple	Black	Maple
-311	Rosewood	Black	Rosewood
-312	Black	Black	Black

** Concrete Anchor - Part No. 11-111560-000 must be used with Button Hd. Socket Cap Screw - Part No. 53-400301-003.

Framework Round Ball Rack Table



Framework Round Ball Rack Table

Index

No.	Part No.	Description
1.	*53-860970-xxx	Round Table Top
2.	11-006345-000	Button Hd. Cap Screw (3/8-16 x 1")
3.	53-860998-000	2-Tier Round Ball Rack (Dark Gray)
	53-860998-100	2-Tier Round Ball Rack (Silver)
4.	53-400301-001	Button Hd. Cap Screw (3/8-16 x 2-1/4")
	**53-400301-003	Button Hd. Socket Cap Screw (3/8-16 x 3/4")
5.	53-860990-000	Wood Insert (3/8-16)
6.	N.A.	Concrete Anchor (3/8-16)
	**11-111560-000	Concrete Anchor (3/8-16 x 1-9/16")

N.A. = No Longer Available

NOTE: Last three digits in part number (suffix) designate color.

* Color Chart

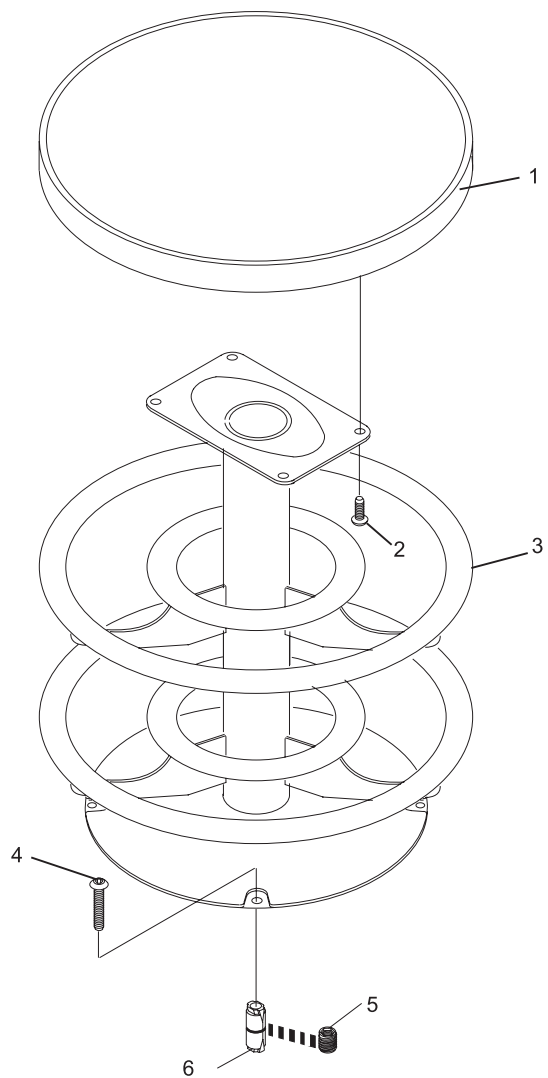
Part No. Suffix	Primary Color	Molding Color	Laminate
1997 Frameworx Color Series			
-220	Blueberry	Banana	Light & Glow
-221	Kiwi	Blueberry	Light & Glow
-222	Cranberry	Banana	Light & Glow
-223	Grape	Kiwi	Light & Glow
-224	Banana	Grape	Dark & Glow
-225	Strawberry	Banana	Dark & Glow
-226	Cranberry	Banana	Dark & Glow
-227	Banana	Grape	Light & Glow
-228	Strawberry	Banana	Light & Glow
-229	Blueberry	Banana	Dark & Glow
-230	Kiwi	Blueberry	Dark & Glow
-231	Grape	Kiwi	Dark & Glow

Part No. Suffix	Primary Color	Molding Color	Laminate
2009 Frameworx Color Series			
-260	Violet	Violet	Glow
-261	Daffodil	Daffodil	Glow
-262	Blaze Orange	Blaze Orange	Glow
-263	Malachite	Malachite	Glow
-264	Slate	Slate	Glow
-265	Jade	Jade	Non-Glow
-266	Navy	Navy	Non-Glow
-267	Eggplant	Eggplant	Non-Glow
-268	Silver	Silver	Non-Glow
-269	Slate Slate	w/Silver Stripe	Non-Glow

Part No. Suffix	Primary Color	Molding Color	Laminate
2005 Frameworx Premium Wood Finishes			
-310	Maple	Black	Maple
-311	Rosewood	Black	Rosewood
-312	Black	Black	Black

** Concrete Anchor - Part No. 11-111560-000 must be used with Button Hd.
Socket Cap Screw - Part No. 53-400301-003.

Frameworx Two Tier Round Ball Rack with Table



Frameworkx Two Tier Round Ball Rack with Table

Index

No.	Part No.	Description
1.	*53-860974-xxx	Wall Rack Table Top
2.	53-860950-000	Wall Ball Rack w/Top Frame (Dark Gray)
	53-860950-100	Wall Ball Rack w/Top Frame (Silver)
3.	11-006345-000	Button Hd. Cap Screw (3/8-16 x 1")
4.	53-400301-001	Button Hd. Cap Screw (3/8-16 x 2-1/4")
	**53-400301-003	Button Hd. Socket Cap Screw (3/8-16 x 3/4")
5.	N.A.	Concrete Anchor (3/8-16)
	**11-111560-000	Hilti Concrete Anchor (3/8-16 x 1-9/16")
6.	11-095011-000	Wood Insert (3/8 x 16 x 1.181")

N.A. = No Longer Available

NOTE: Last three digits in part number (suffix) designate color.

* Color Chart

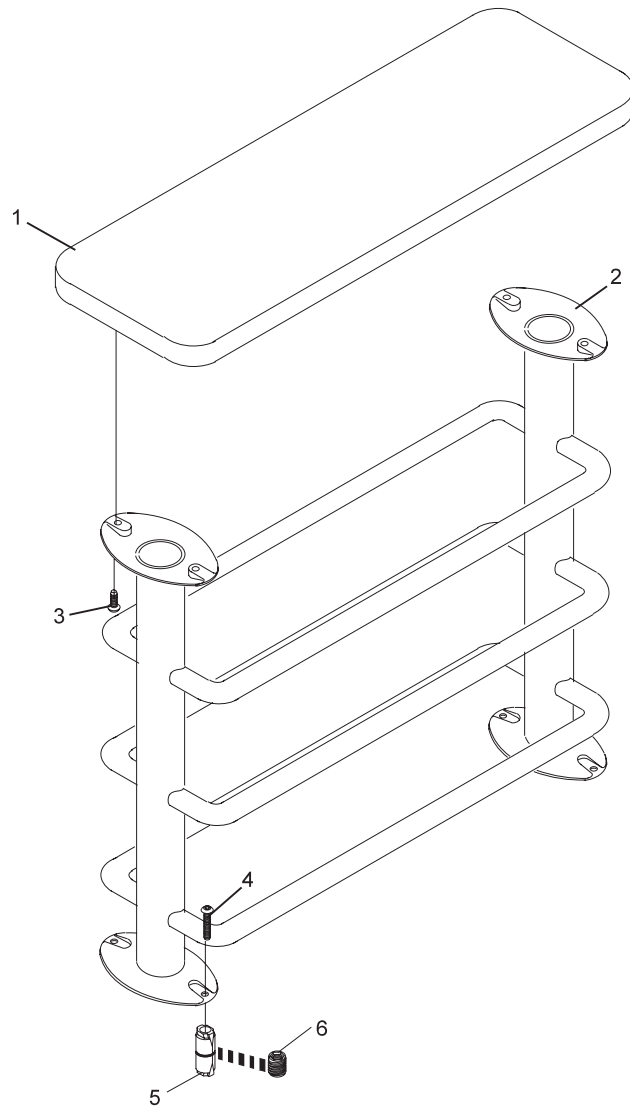
Part No.	Primary	Molding	Laminate
Suffix	Color	Color	
1997 Frameworx Color Series			
-220	Blueberry	Banana	Light & Glow
-221	Kiwi	Blueberry	Light & Glow
-222	Cranberry	Banana	Light & Glow
-223	Grape	Kiwi	Light & Glow
-224	Banana	Grape	Dark & Glow
-225	Strawberry	Banana	Dark & Glow
-226	Cranberry	Banana	Dark & Glow
-227	Banana	Grape	Light & Glow
-228	Strawberry	Banana	Light & Glow
-229	Blueberry	Banana	Dark & Glow
-230	Kiwi	Blueberry	Dark & Glow
-231	Grape	Kiwi	Dark & Glow

Part No.	Primary Color	Molding Color	Laminate
Suffix			
2009 Frameworx Color Series			
-260	Violet	Violet	Glow
-261	Daffodil	Daffodil	Glow
-262	Blaze Orange	Blaze Orange	Glow
-263	Malachite	Malachite	Glow
-264	Slate	Slate	Glow
-265	Jade	Jade	Non-Glow
-266	Navy	Navy	Non-Glow
-267	Eggplant	Eggplant	Non-Glow
-268	Silver	Silver	Non-Glow
-269	Slate Slate	w/Silver Stripe	Non-Glow

Part No.	Primary	Molding	Laminate
Suffix	Color	Color	
2005 Frameworx Premium Wood Finishes			
-310	Maple	Black	Maple
-311	Rosewood	Black	Rosewood
-312	Black	Black	Black

** Concrete Anchor - Part No. 11-111560-000 must be used with Button Hd.
Socket Cap Screw - Part No. 53-400301-003.

Frameworx Wall Ball Rack with Top



Frameworx Wall Ball Rack with Top

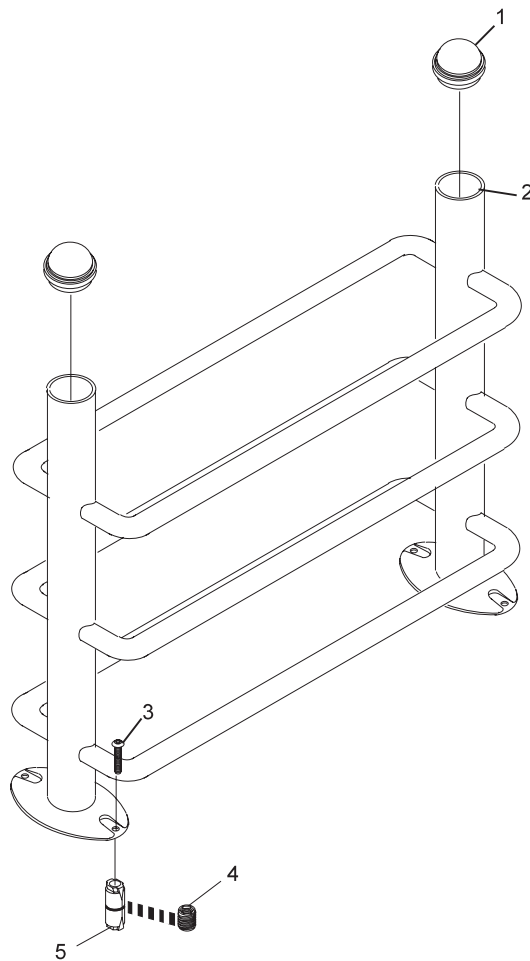
Index

No.	Part No.		Description
1.	53-400183-000		Tube Cap (4")
2.	53-860951-000	N.A.	Wall Ball Rack w/o Top Frame
3.	53-400301-001		Button Hd. Cap Screw (3/8-16 x 2-14")
	*53-400301-003		Button Hd. Socket Cap Screw (3/8-16 x 3/4")
4.	11-095011-000		Wood Insert (3/8-16)
5.	N.A.		Concrete Anchor
	*11-111560-000		Concrete Anchor (3/8-16 x 1-9/16")

N.A. = No Longer Available

* Concrete Anchor - Part No. 11-111560-000 must be used with Button Hd. Socket Cap Screw - Part No. 53-400301-003.

Frameworkx Wall Ball Rack without Top



Framworx Wall Ball Rack without Top

Index

No.	Part No.	Description
1.	*53-860959-000	Contour Seat Pkg. (Dark Gray)
	53-860959-004	Contour Seat Pkg. (Graphite)
2.	53-400193-000	Column Assembly w/Bushing
3.	53-400257-000	Upper Cover Tube (Dark Gray)
	53-400257-100	Upper Cover Tube (Silver)
4.	53-400225-001	N.A. Seat Plate Assembly (Silver)
	53-400225-000	Seat Plate Assembly (Dark Gray)
5.	53-400111-xxx	Rear Decal
6.	11-082862-001	Self Tapping Screw (#14-10 x 1")
7.	53-400196-000	Foot Rest Assembly
8.	53-400256-000	Lower Cover Tube (Dark Gray)
	53-400256-100	Lower Cover Tube (Silver)
9.	53-400194-000	Chair Base
10.	53-400195-000	Chair Glide
11.	*53-861010-xxx	Plastic Fastener for Inserts (Pkg. of 10) - No Longer available in -220 Blueberry, Order -232 Light Gray as a replacement option. The light gray -232 will also be the replacement color for other fasteners as inventory is depleted.
12.	N.A.	Front Insert (use index number 15)
13.	53-400103-xxx	Front Decal
14.	53-400113-000	Rear Insert (Light Gray)
15.	*53-860960-xxx	Seat Color Kit (contains 1 each of item numbers 12, 13, 5 and 14 and 6 each of item 11)
16.	53-400164-000	Chair Bearing
17.	53-861017-000	Pkg. Seat Base. (contains 1 each of item numbers: 2, 3, 4, 7, 8, & 9 and 5 each of item 5 and 4 each of item 16) - Dark Gray
	53-861017-100	Pkg. Seat Base. (contains 1 each of item numbers: 2, 3, 4, 7, 8, & 9 and 5 each of item 5 and 4 each of item 16) - Silver

N.A. = No Longer Available

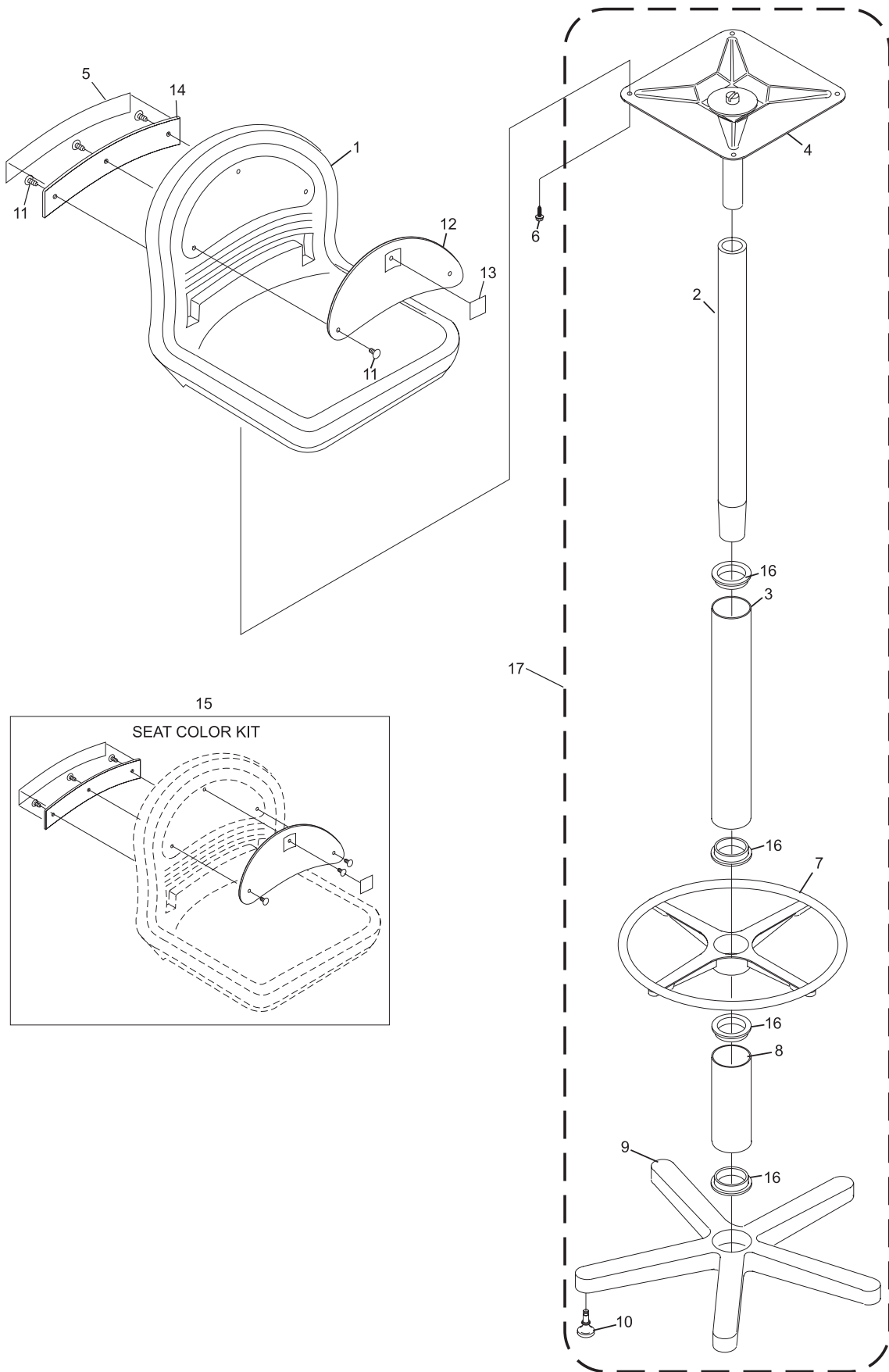
NOTE: Last three digits in part number (suffix) designate color.

*Color Chart

Part No. Suffix	Primary Color
1997 Framework Color Series	
-220	Blueberry
-221	Kiwi
-222	Cranberry
-223	Grape
-225	Strawberry
-226	Cranberry
-227	Banana
-228	Strawberry
-230	Kiwi
-231	Grape
-232	Light Gray

Part No. Suffix	Primary Color
2009 Framework Color Series	
-003	Black
-260	Violet
-261	Daffodil
-262	Blaze Orange
-263	Malachite
-266	Navy
-267	Eggplant
-268	Silver
-232	Light Gray

Framework Freestanding Chair (Tall)



Framework Freestanding Chair (Tall)

Index

No.	Part No.	Description
1.	53-860959-000	Contour Seat Pkg. (Dark Gray)
	53-860959-004	Contour Seat Pkg. (Graphite)
2.	53-400225-001	N.A. Seat Plate Assembly (Silver)
	53-400225-000	Seat Plate Assembly (Dark Gray)
3.	11-082862-001	Self Tapping Screw (#14-10 x 1")
4.	53-400113-000	Rear Insert (Light Gray)
5.	53-400203-000	Column Assembly w/Bushing (13-11/16" Length)
	53-400422-000	Column Assembly w/Bushing (12-1/2" Length)
6.	53-400258-000	Cover Tube Assembly (Dark Gray)
	53-400258-100	Cover Tube Assembly (Silver)
7.	53-400194-000	Chair Base
8.	53-400195-000	Chair Glide
9.	*53-861010-xxx	Plastic Fastener for Inserts (Pkg. of 10) - No Longer available in -220 Blueberry, Order -232 Light Gray as a replacement option. The light gray -232 will also be the replacement color for other fasteners as inventory is depleted.
10.	N.A.	Front Insert (use index number 13)
11.	53-400103-xxx	Front Decal
12.	53-400111-xxx	Rear Decal
13.	*53-860960-xxx	Seat Color Kit (contains 1 each of item numbers 10, 11, 4 and 12 and 6 each of item 9)
14.	53-400164-000	Chair Bearing (Dark Gray)
15.	53-861018-000	Pkg. Seat Base. (contains 1 each of item numbers: 2, 5, 6, 7 and 5 each of item number 8 and 2 each of item number 14) - Dark
	53-861018-100	Pkg. Seat Base. (contains 1 each of item numbers: 2, 5, 6, 7 and 5 each of item number 8 and 2 each of item number 14) - Silver

N.A. = No Longer Available

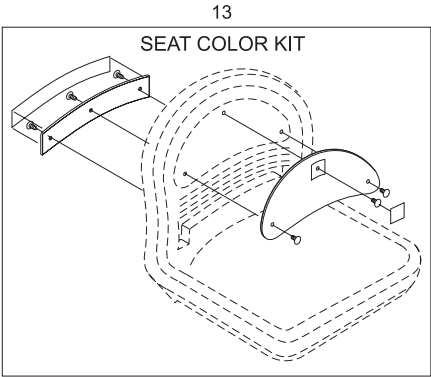
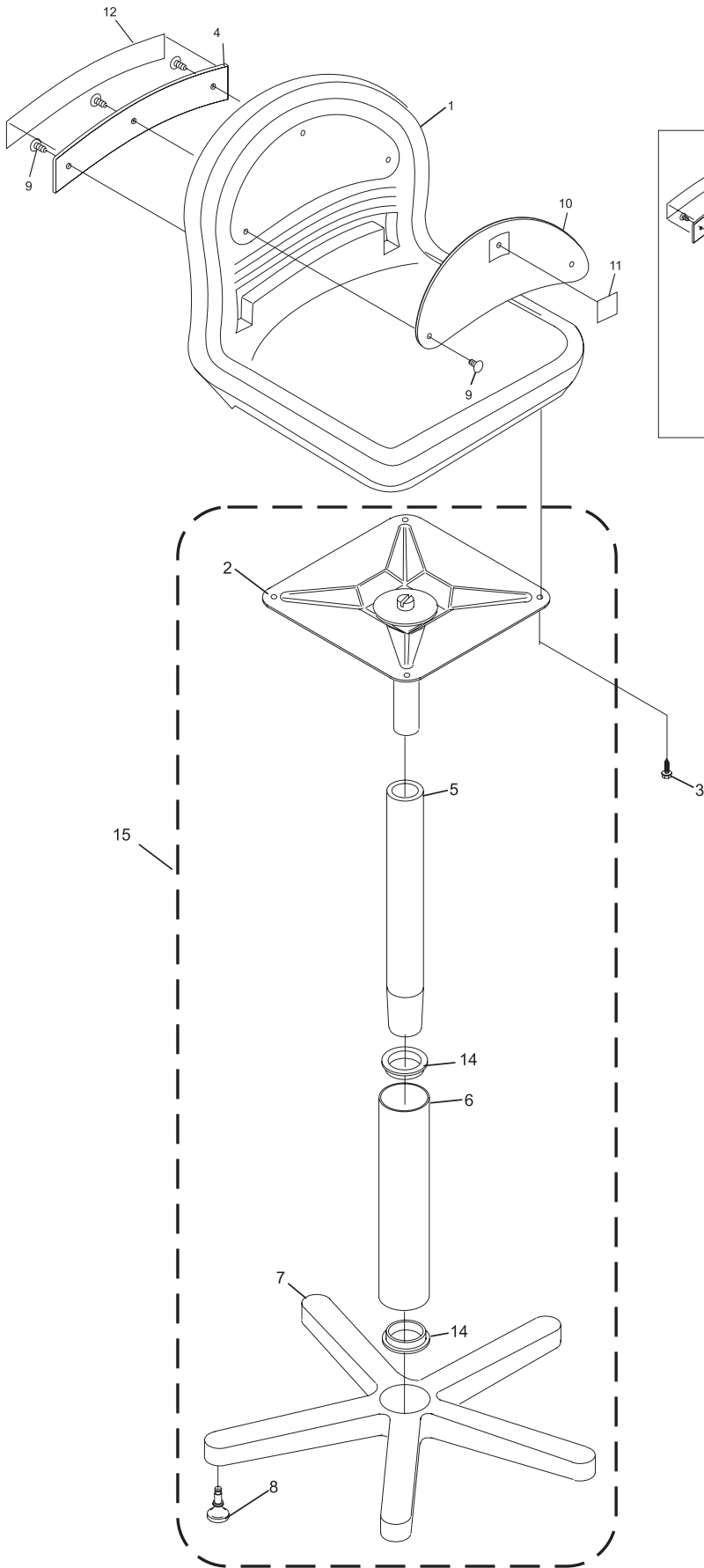
NOTE: Last three digits in part number (suffix) designate color.

* Color Chart

Part No. Suffix	Primary Color
1997 Framework Color Series	
-220	Blueberry
-221	Kiwi
-222	Cranberry
-223	Grape
-225	Strawberry
-226	Cranberry
-227	Banana
-228	Strawberry
-230	Kiwi
-231	Grape
-232	Light Gray

Part No. Suffix	Primary Color
2009 Framework Color Series	
-003	Black
-260	Violet
-261	Daffodil
-262	Blaze Orange
-263	Malachite
-266	Navy
-267	Eggplant
-268	Silver
-232	Light Gray

Framework Freestanding Chair (Short)



Frameworkx Freestanding Chair (Short)

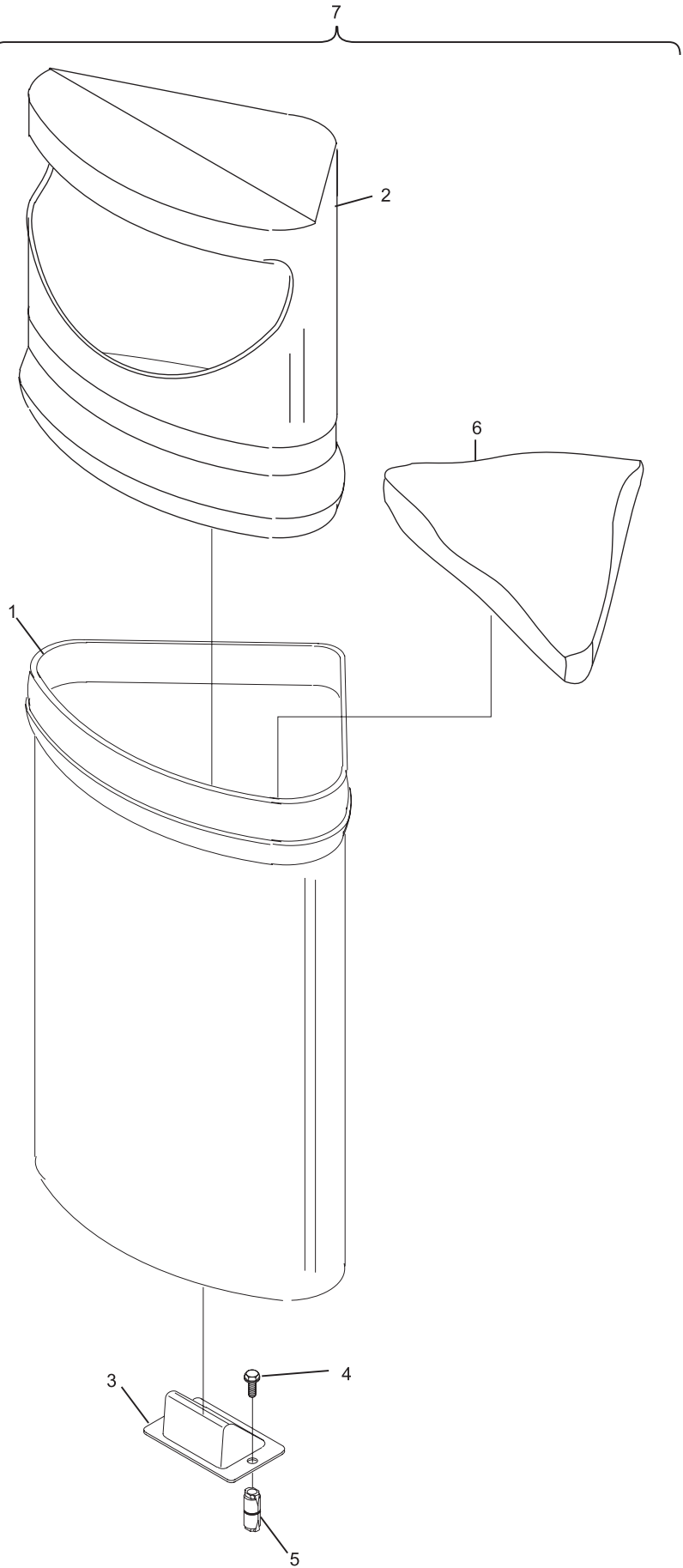
Index

No.	Part No.		Description
1.	53-400337-000	N.A.	Trash Receptacle Bottom
2.	53-400338-000	N.A.	Trash Receptacle Cover
3.	53-860947-001	N.A.	Trash Receptacle Base Plate Assy.
4.	11-001348-001		Cap Screw (3/8-16 x 1-1/2")
5.	53-400307-000	N.A.	Concrete Anchor (3/8-16)
	11-111560-000	R.O.	Concrete Anchor (3/8-16 x 1-9/16")
6.	53-400343-000		Triangular Sand Bag - 15 lbs.
7.	53-860947-000		Trash Receptacle - Complete (Light Gray)
	53-860947-004		Trash Receptacle - Complete (Graphite II)

N.A. = No Longer Available

R.O. = Replacement Option

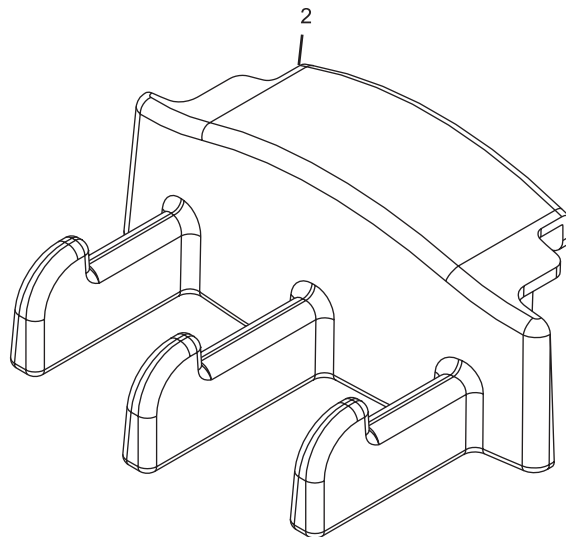
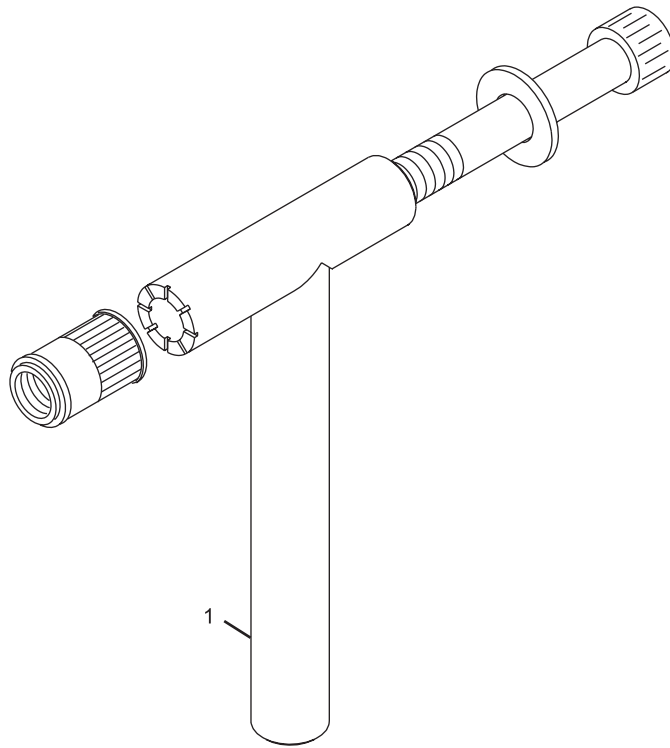
Frameworkx Trash Receptacle Assembly



Frameworkx Trash Receptacle Assembly

Index No.	Part No.	Description
1.	53-861038-000	AVK Insert Fastener Tool w/Ribbed Nut Insert - Frameworkx Furniture
2.	53-861012-000	Frameworkx Modular Wall Coat Rack (Light Gray)
	53-861012-004	Frameworkx Modular Wall Coat Rack (Graphite)

**AVK Insert Fastener Tool
Coat Rack**



**AVK Insert Fastener Tool
Coat Rack**

Index

No.	Part No.		Description
1.	*54-861004-000	S.O.	Back Rest Complete Assembly (Upholstered)
	*54-861078-000	S.O.	Backrest Replacement Fabric Only
2.	*54-861085-000	S.O.	L.H. Armrest Complete Assembly
	*54-861077-000	S.O.	L.H. Armrest Replacement Fabric Only
3.	*54-861059-000	S.O.	R.H. Armrest Complete Assembly (Upholstered)
	*54-861076-000	S.O.	R.H. Armrest Replacement Fabric Only
4.	*54-861060-000	S.O.	Seat Complete Assembly (Upholstered)
	*54-861075-000	S.O.	Seat Assembly Replacement Fabric Only
5.	54-200008-000		L.H. Bottom Panel
6.	54-200009-000		R.H. Bottom Panel
7.	11-051567-009	N.A.	Socket Head Cap Screw (M8 x 70 mm)
8.	11-052003-001	N.A.	Flat Washer (8.4 mm)
9.	11-051568-009	N.A.	Socket Head Cap Screw (M8 x 80 mm)
10.	11-052019-001		Flat Washer (M8)
11.	11-051566-009	N.A.	Socket Head Cap Screw (M6 x 40 mm)
12.	11-052023-001	N.A.	Flat Washer (6.4 mm)
	11-052048-001	R.O.	Flat Washer (6.4 mm)
13.	11-051509-009	N.A.	Socket Head Cap Screw (M6 x 12 mm)
14.	53-400301-002		Button Head Socket Cap Screw (3/8-16 x 1-1/4")
15.	11-191014-001		Flat Washer (3/8)
16.	11-051891-000		Pan Head Phillips Screw (M4 x 17 mm)
17.	11-111560-000		Hilti Concrete Anchor (3/8-16 x 1-9/16")
18.	**54-200010-000		Glides
19.	*54-200013-000		Trim Piece

N.A. = No Longer Available

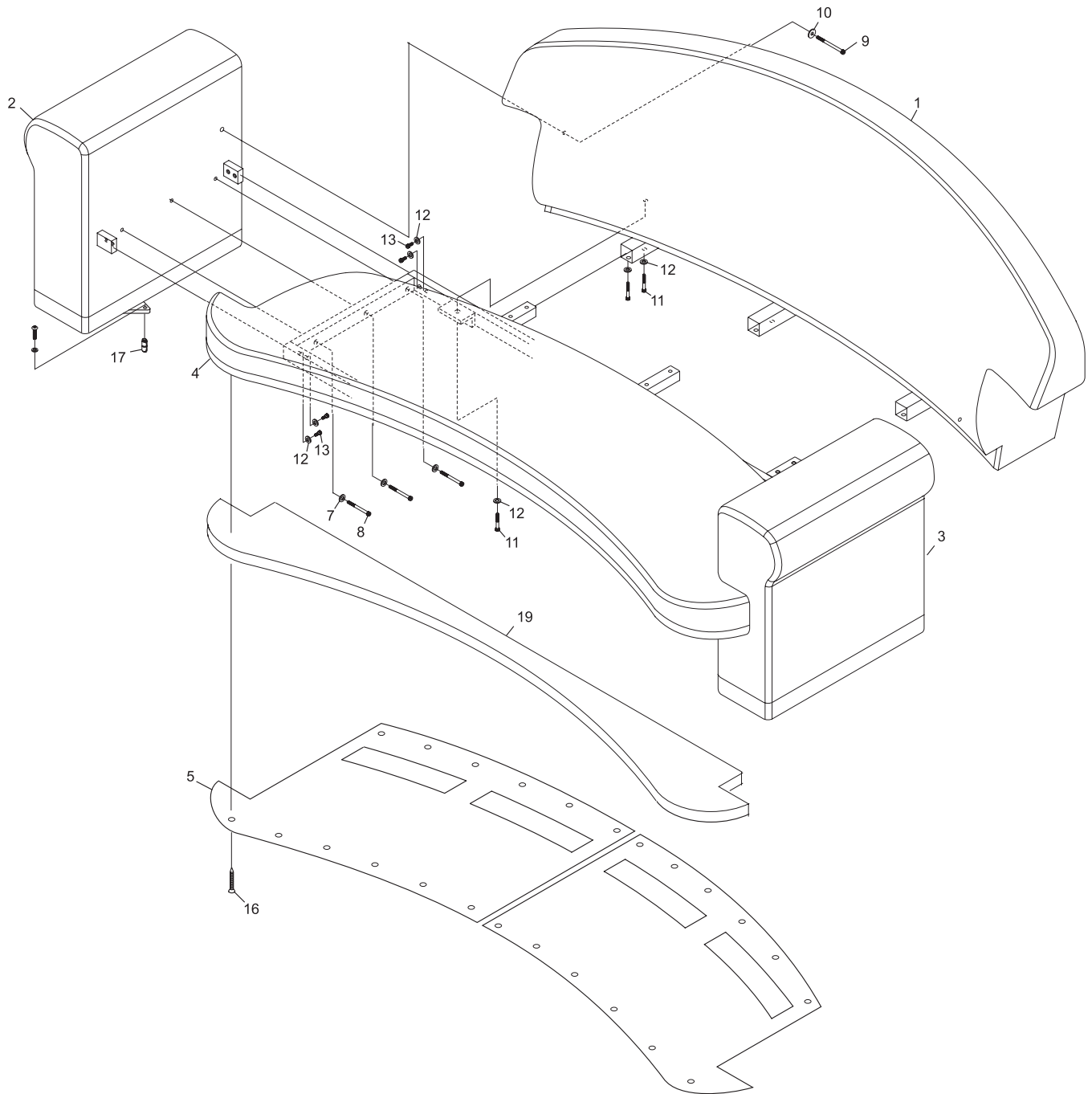
R.O. = Replacement Option

S.O. = Special Order

* NOTE: Fabric options can be reviewed online at www.brunswickbowling.com or by contacting your Brunswick Representative. When purchasing replacement fabric contact a local upholster to mount fabric to furniture.

** Not Illustrated

Striking Line Sofa



Striking Line Sofa

Index

No.	Part No.	Description
1.	*54-861064-xxx	Table Top
2.	54-861021-002	N.A. Center Leg
3.	54-861020-002	N.A. L.H. Front Leg
4.	54-861019-002	N.A. R.H. Front Leg
	54-861097-000	R.O. Table Leg Pkg.
5.	54-861018-002	N.A. Leg Brace, Short
6.	54-861017-002	N.A. Leg Brace, Long
7.	54-861055-xxx	N.A. Front Board
8.	11-054803-004	N.A. Button Head Cap Screw (M6 x 10 mm)
9.	11-054806-004	N.A. Button Head Cap Screw (M6 x 25 mm)
10.	11-054807-004	N.A. Button Head Cap Screw (M6 x 40 mm)
11.	11-055526-004	Acorn Nut (M6 x 1.75 mm)
12.	11-051706-001	Hex Nut (M12 x 1.75 mm)
13.	54-861072-000	Glides
14.	11-006354-009	Button Head Socket Cap Screw (3/8-16 x 1-1/4")
15.	11-191014-009	Flat Washer (3/8)
16.	11-111560-000	Concrete Anchor (3/8-16 x 1-9/16")
17.	**54-861097-000	Sofa Table Legs Pkg. (includes index Nos. 2, 3, 4 and 14)
18.	**54-861016-000	Floor Mounting Hardware Pkg.
19.	**54-861102-000	Hardware Pkg. (includes index Nos. 8, 9, 10 and 11)

N.A. = No Longer Available
 R.O. = Replacement Option

NOTE: Last three digits in part number (suffix) designated color.

* Color Chart

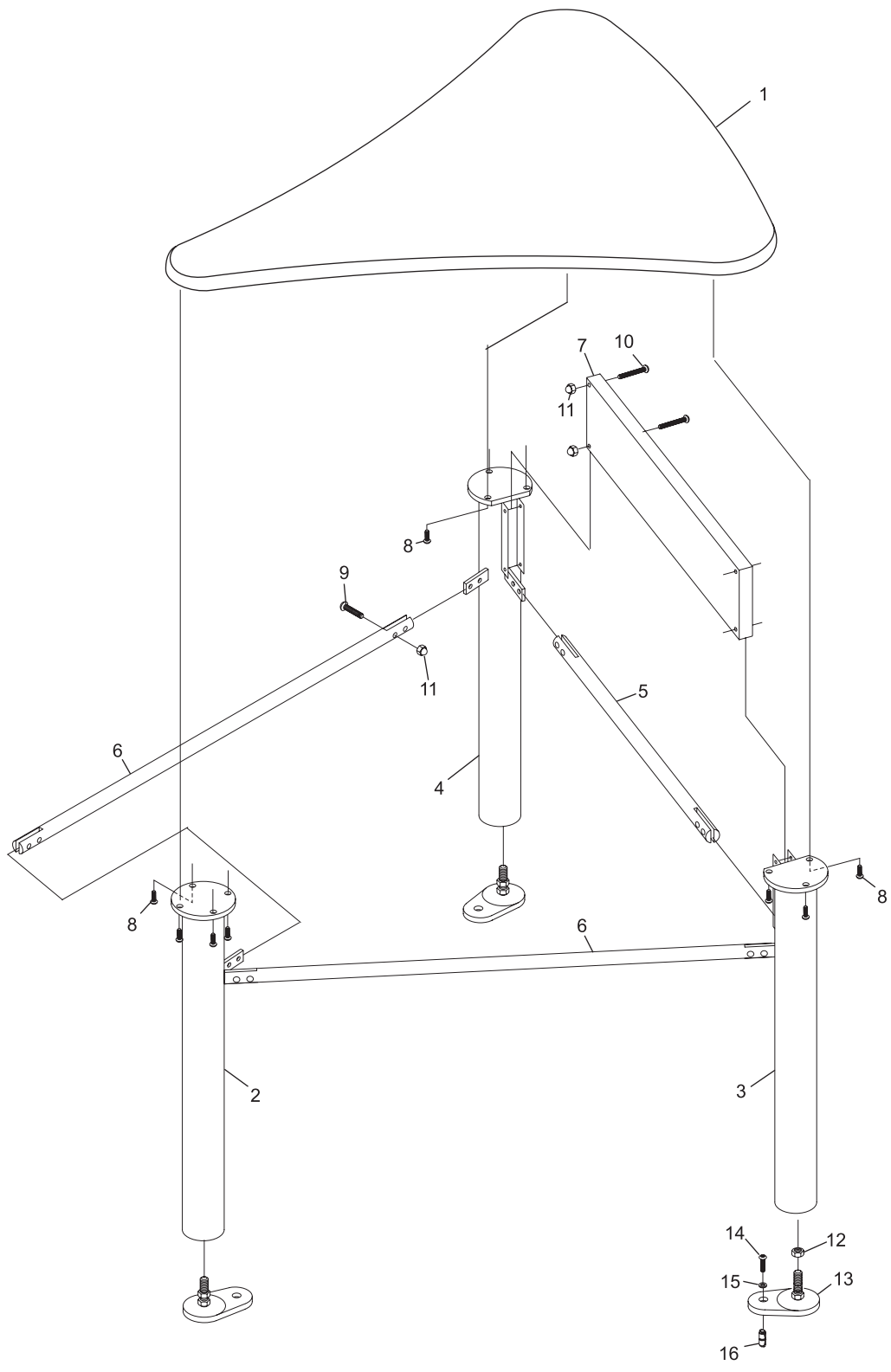
Part No. Suffix	Primary Color	Molding Color	Laminate
1997 Frameworx Color Series			
-220	Blueberry	Banana	Light & Glow
-221	Kiwi	Blueberry	Light & Glow
-222	Cranberry	Banana	Light & Glow
-223	Grape	Kiwi	Light & Glow
-224	Banana	Grape	Dark & Glow
-225	Strawberry	Banana	Dark & Glow
-226	Cranberry	Banana	Dark & Glow
-227	Banana	Grape	Light & Glow
-228	Strawberry	Banana	Light & Glow
-229	Blueberry	Banana	Dark & Glow
-230	Kiwi	Blueberry	Dark & Glow
-231	Grape	Kiwi	Dark & Glow

Part No. Suffix	Primary Color	Molding Color	Laminate
2009 Frameworx Color Series			
-260	Violet	Violet	Glow
-261	Daffodil	Daffodil	Glow
-262	Blaze Orange	Blaze Orange	Glow
-263	Malachite	Malachite	Glow
-264	Slate	Slate	Glow
-265	Jade	Jade	Non-Glow
-266	Navy	Navy	Non-Glow
-267	Eggplant	Eggplant	Non-Glow
-268	Silver	Silver	Non-Glow
-269	Slate Slate	w/Silver Stripe	Non-Glow

Part No. Suffix	Primary Color	Molding Color	Laminate
2005 Frameworx Premium Wood Finishes			
-310	Maple	Black	Maple
-311	Rosewood	Black	Rosewood
-312	Black	Black	Black

** Not Illustrated

Striking Line Sofa Table



Striking Line Sofa Table

Index

No.	Part No.	Description
1.	**54-861022-XXX	Table Top
2.	**54-861068-XXX	Foot Pkg. - Qty of 2 (available in -002 maple, -004 Rosewood, and -005 Black Only)
3.	**54-861028-XXX	End Vertical Panel
4.	**54-861024-XXX	Center Vertical Panel (available in -002 maple, -004 Rosewood, and -005 Black Only)
5.	54-200033-000	N.A. Coat Hook
6.	54-861096-000	Ball Rack
7.	54-861069-000	Ball Bumpers (Pkg. of 12)
8.	11-052553-001	N.A. Flat Head C.R. Screw (M8 x 30 mm)
9.	11-054807-004	N.A. Button Head Cap Screw (M6 x 40 mm)
10.	54-200036-000	N.A. Foot Rest Rail
11.	11-054809-004	N.A. Button Head Cap Screw (M8 x 30 mm)
12.	11-053785-004	N.A. Pan Head Machine Screw (M4 x 10 mm)
13.	11-054808-004	N.A. Button Head Cap Screw (M6 x 45 mm)
14.	11-054810-004	N.A. Button Head Cap Screw (M8 x 55 mm)
15.	*84-861103-000	Mod Wall Hardware Pkg. (includes index numbers 8,9,10,11 and 14)
16.	84-861070-000	Coat Hook Replacement Pkg. (includes 16 hooks and 34 screws)
17.	11-055526-004	Acorn Nut (M6)
18.	54-200014-000	N.A. Foot Rest Bracket
19.	11-052812-009	N.A. Set Screw (M8 x 10 mm)
20.	11-054808-004	N.A. Button Head Cap Screw (M6 x 45 mm)

N.A. = No Longer Available

* Not Illustrated

NOTE : Last three digits in part number (suffix) designate color.

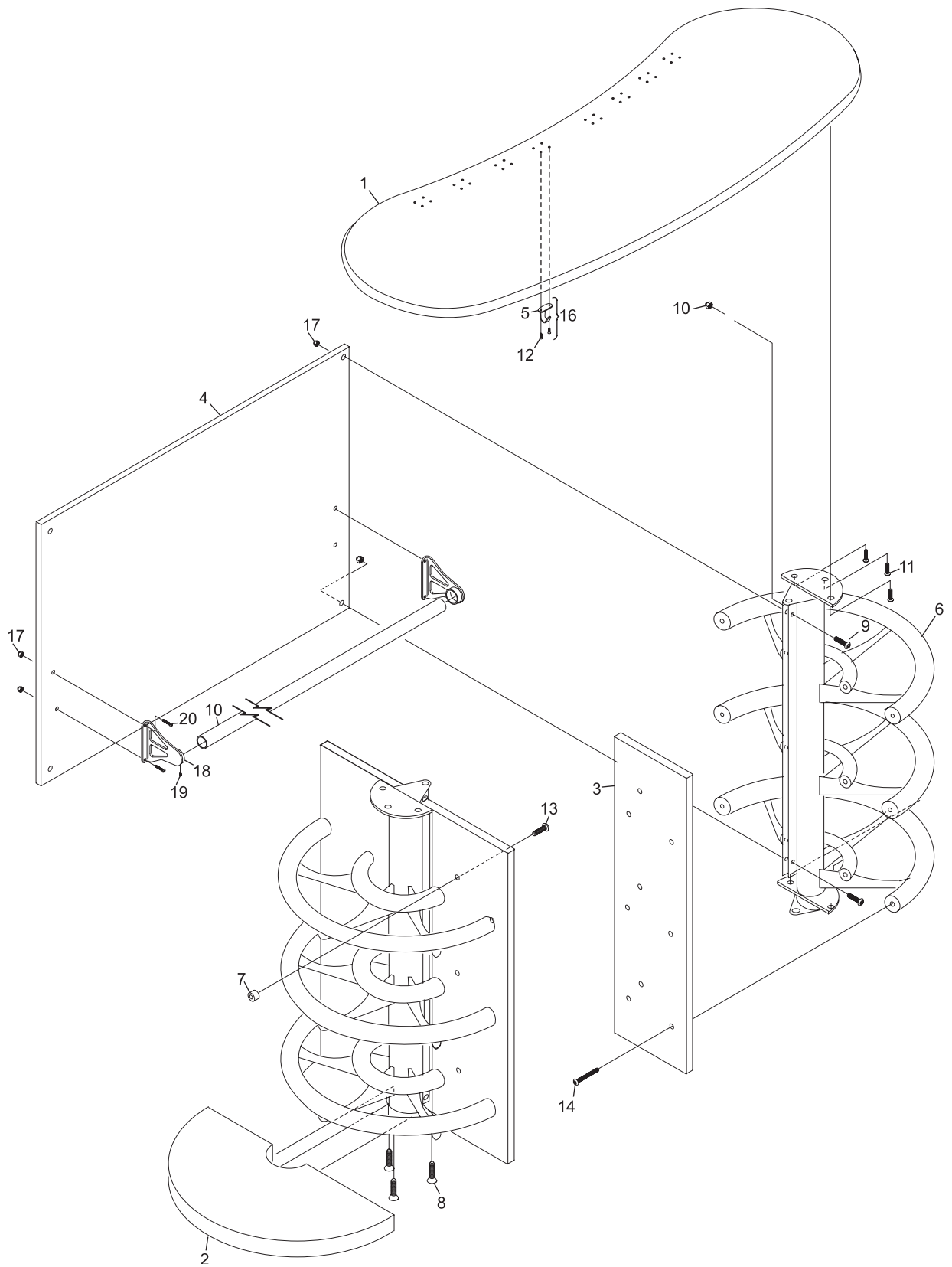
** Color Chart

Part No. Suffix	Primary Color	Molding Color	Laminate
1997 Frameworx Color Series			
-220	Blueberry	Banana	Light & Glow
-221	Kiwi	Blueberry	Light & Glow
-222	Cranberry	Banana	Light & Glow
-223	Grape	Kiwi	Light & Glow
-224	Banana	Grape	Dark & Glow
-225	Strawberry	Banana	Dark & Glow
-226	Cranberry	Banana	Dark & Glow
-227	Banana	Grape	Light & Glow
-228	Strawberry	Banana	Light & Glow
-229	Blueberry	Banana	Dark & Glow
-230	Kiwi	Blueberry	Dark & Glow
-231	Grape	Kiwi	Dark & Glow

Part No. Suffix	Primary Color	Molding Color	Laminate
2009 Frameworx Color Series			
-260	Violet	Violet	Glow
-261	Daffodil	Daffodil	Glow
-262	Blaze Orange	Blaze Orange	Glow
-263	Malachite	Malachite	Glow
-264	Slate	Slate	Glow
-265	Jade	Jade	Non-Glow
-266	Navy	Navy	Non-Glow
-267	Eggplant	Eggplant	Non-Glow
-268	Silver	Silver	Non-Glow
-269	Slate Slate	w/Silver Stripe	Non-Glow

Part No. Suffix	Primary Color	Molding Color	Laminate
2005 Frameworx Premium Wood Finishes			
-310	Maple	Black	Maple
-311	Rosewood	Black	Rosewood
-312	Black	Black	Black

Striking Line Modwall



Striking Line Modwall

Index

No.	Part No.		Description
1.	54-400301-002	N.A.	Button Head Cap Screw (3/8-16 x 1")
2.	54-861049-100		Swing/Swivel Modwall Assembly
3.	11-002002-013	N.A.	Hex Head Cap Screw (1/4-20 x 3/4")
4.	11-191010-001		Flat Washer (1/4)
5.	11-006345-000		Button Head Cap Screw (3/8-16 x 1")
6.	**54-861040-xxx	N.A.	Bar Stool - Bucket Only - Florence #510 Style (Pkg. of 2)
	*54-861109-xxx	R.O.	Bar Stool - Bucket Only - Wayland Style (Pkg. of 2)
7.	**54-861042-xxx	N.A.	Bar Stool - Bucket Only - Contessa #810 Style (Pkg. of 2)
	*54-861110-xxx	R.O.	Bar Stool - Bucket Only - Alden Style (Pkg. of 2)
8.	**54-861044-xxx	N.A.	Bar Stool - Bucket Only - Catalina #820 Style (Pkg. of 2)
	*54-861107-xxx	R.O.	Bar Stool - Bucket Only - Montgomery Style (Pkg. of 2)
9.	**54-861046-xxx	N.A.	Bar Stool - Bucket Only - Voltaire 830B Style (Pkg. of 2)
	*54-861106-xxx	R.O.	Bar Stool - Bucket Only - Easton Style (Pkg. of 2)
10.	**54-861048-xxx	N.A.	Bar Stool - Bucket Only - Voltaire 830D Style (Pkg. of 2)
	*54-861108-xxx	R.O.	Bar Stool - Bucket Only - Broderick Style (Pkg. of 2)
11.	11-111560-000		Concrete Anchor (3/8-16 x 1-9/16")
12.	11-191014-001		Flat Washer (3/8)

N.A. = No Longer Available

NOTE : Last three digits in part number (suffix) designate color.

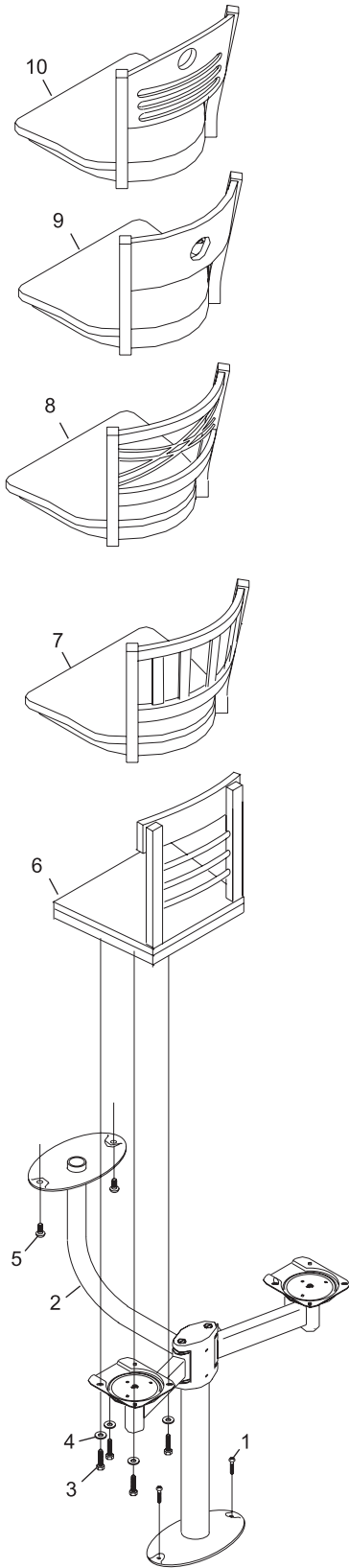
* Color Chart

-001	DARK CHERRY
-002	MAPLE

** When replacing the following seat styles, customers must also order (2) 53-860395-000 45° seat swivel seat styles: Florence, Contesa, Catalina and Voltaire

Striking Line - Wood Seat Only - Replacement			
Bar Stool Bucket Style	Dark Cherry	Natural	Qty. per Pkg.
EASTON	54-860512-001	54-860512-002	2
MONTGOMERY	54-860512-001	54-860512-002	2
BRODERICK	54-860512-001	54-860512-002	2
ALDEN	54-860512-001	54-860512-002	2
WAYLAND	54-860513-001	54-860513-002	2

Striking Line Modwall



Striking Line Modwall

Index

No.	Part No.	Description
1.	54-861012-002	Leg Assembly (Silver)
2.	54-861072-000	Oval Glide
3.	54-861111-000	N.A. Round Glide w/Hex Nut (Pkg. of 2)
4.	11-051706-001	Hex Nut (M12)
5.	54-861063-XXX	Table Top
6.	54-200060-000	N.A. Shelf
7.	11-054801-009	N.A. Button Head Cap Screw (M8 x 1.25 mm x 20 mm)
8.	11-054812-009	N.A. Button Head Cap Screw (M8 x 1.25 mm x 25 mm)
9.	11-191014-001	Flat Washer (3/8)
10.	**11-006354-009	N.A. Button Head Cap Screw (3/8-16 x 1-1/4")
11.	11-111560-000	Concrete Anchor (3/8-16 x 1-9/16")
12.	53-400362-002	Hex Head Cap Screw (3/8-16 x 4-1/2")
13.	*54-861095-000	Narrow Coffee Table Hardware Pkg. (Includes Index Nos. 7 & 8)

N.A. = No Longer Available

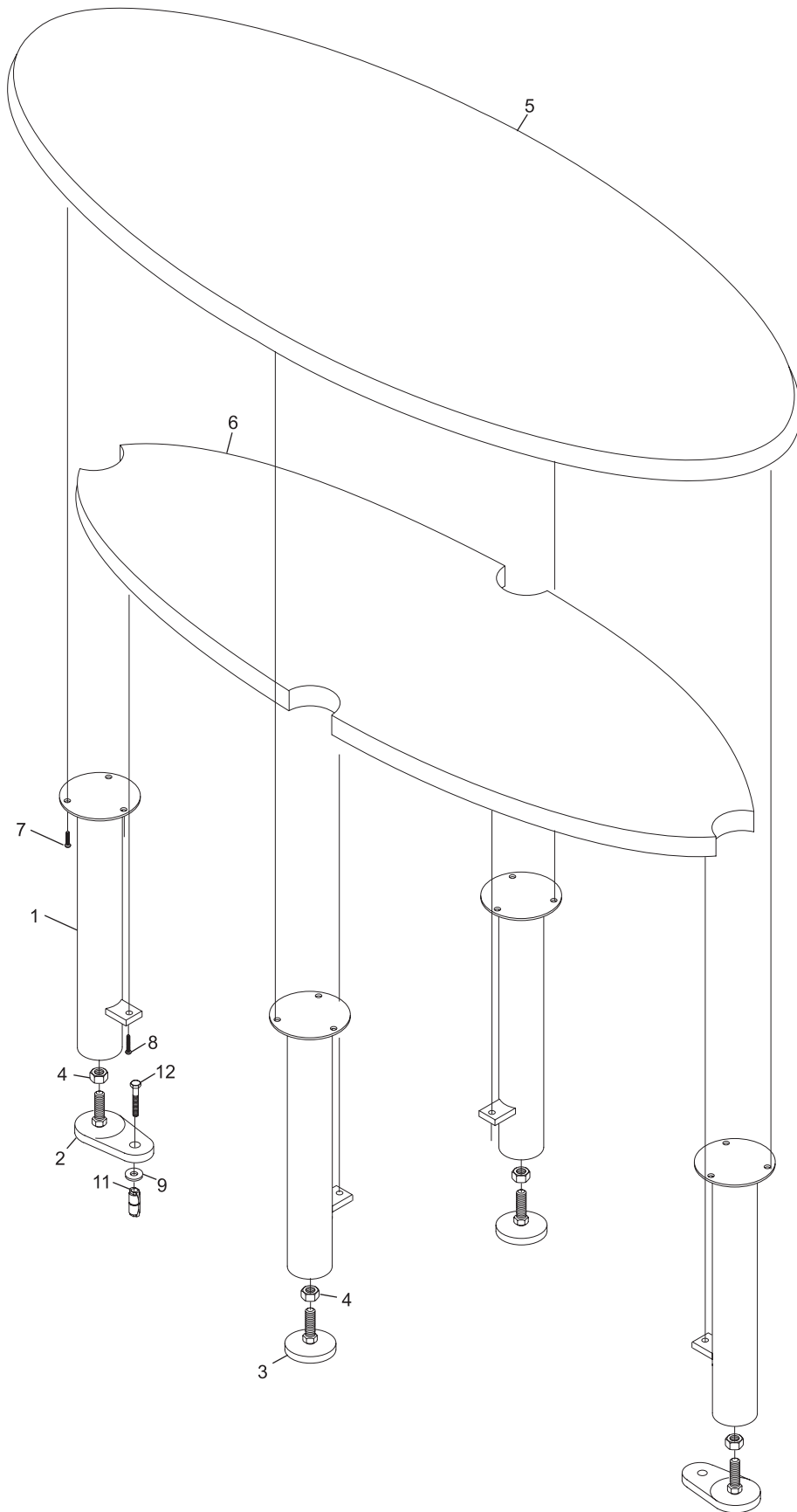
NOTE : Last three digits in part number (suffix) designate color.

* *Color Chart*

-002	MAPLE
-004	ROSEWOOD
-005	BLACK

** *Not Illustrated*

Striking Line Narrow Table



Striking Line Narrow Table

Index

No.	Part No.	Description
1.	**54-861063-XXX	Table Top
2.	**54-861012-002	Leg (Qty. 2) - Rosewood
3.	11-052023-001	Flat Washer (M6)
4.	11-053784-001	N.A. Pan Head C.R. Screw (M6 x 40 mm)
5.	54-861071-000	Round Glide (Qty. 6)
6.	11-111560-000	Concrete Anchor (3/8-16 x 1-9/16")
7.	11-001360-001	N.A. Hex Head Cap Screw (3/8-16 x 4-1/2")
8.	11-191014-001	Flat Washer (3/8)
9.	54-861010-000	Floor Mounting Hardware Pkg.
10.	*54-861056-000	Coffee Table Hardware Pkg. (includes index numbers 3,4 & 5)

N.A. = No Longer Available

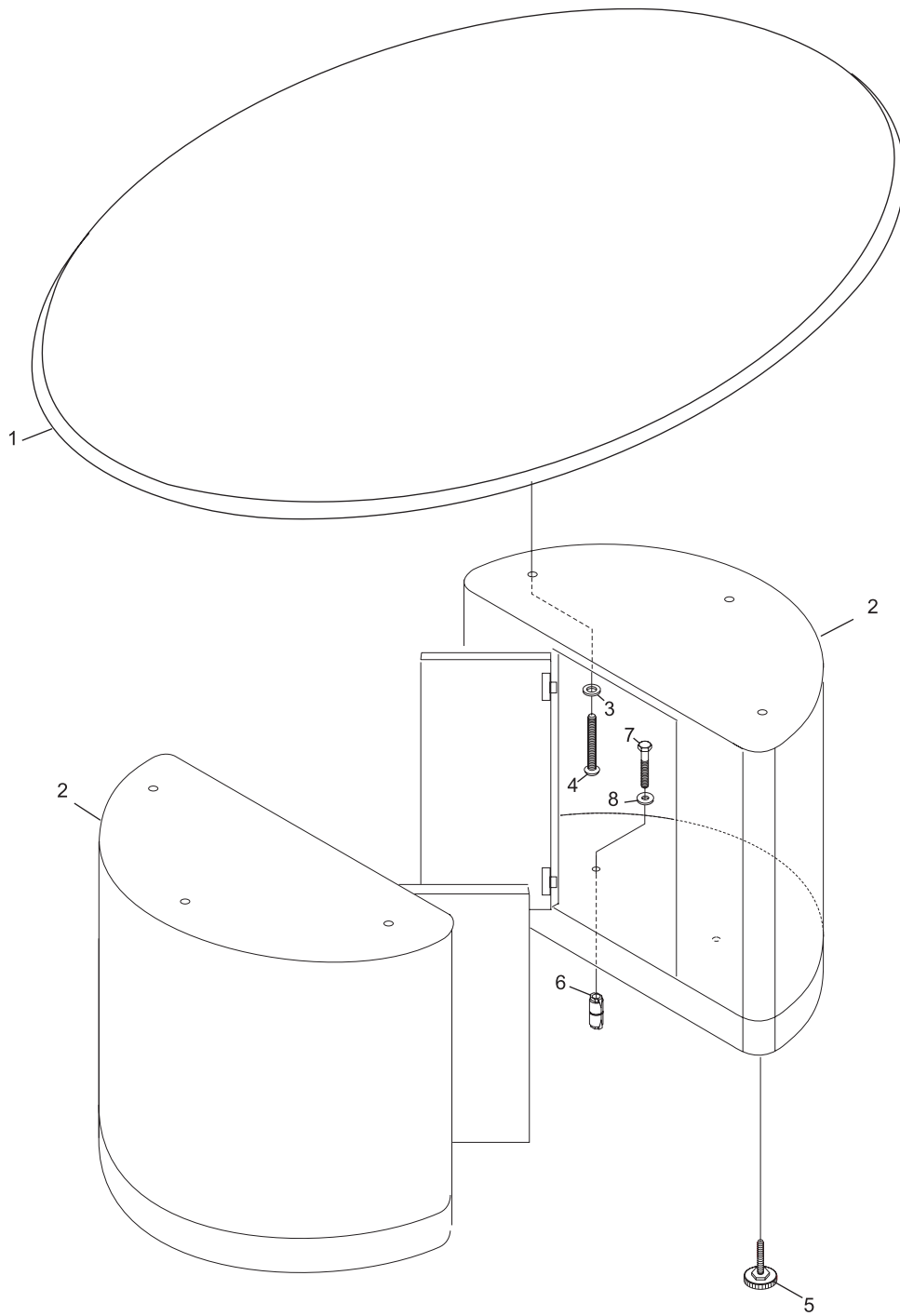
NOTE : Last three digits in part number (suffix) designate color.

* Not Illustrated

**Color Chart

-002	MAPLE
-004	ROSEWOOD
-005	BLACK

Striking Coffee Table



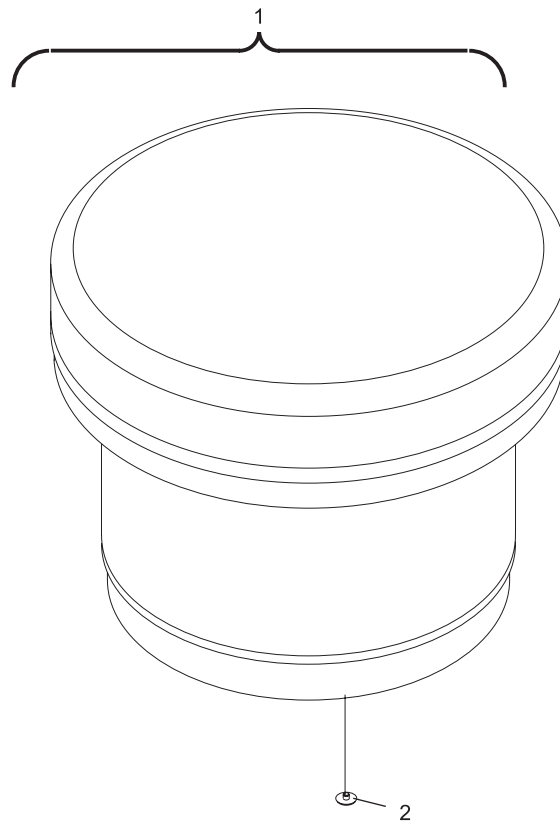
Striking Coffee Table

Index

No.	Part No.	Description
1.	*54-861006-000 *54-861079-000	Ottoman Complete Pre-Sewn Replacement Cover
2.	54-861091-000 N.A.	Ottoman Glide Upgrade Package (contains 40 Glides and Instructions)

N.A. = No Longer Available

* NOTE: Fabric options can be reviewed online at www.brunswickbowling.com or by contacting your Brunswick Representative. When purchasing replacement fabric contact a local upholster to mount fabric to furniture.



Striking Line Miscellaneous

Index

No.	Part No.		Description
1.	*54-861030-xxx	N.A.	Wood Bar Stool - Florence #510 Style
	54-861083-001	R.O.	Wood Bar Stool - Wayland Style (Dark Cherry)
2.	*54-861032-xxx	N.A.	Wood Bar Stool - Contessa #810 Style
	54-861084-001	R.O.	Wood Bar Stool - Alden Style (Dark Cherry)
3.	*54-861034-xxx	N.A.	Wood Bar Stool - Catalina #820 Style
	54-861082-001	R.O.	Wood Bar Stool - Montgomery Style (Dark Cherry)
4.	*54-861036-xxx	N.A.	Wood Bar Stool - Voltaire 830B Style
	54-861086-001	R.O.	Wood Bar Stool - Easton Style (Dark Cherry)
5.	*54-861038-xxx	N.A.	Wood Bar Stool - Voltaire 830D Style
	54-861108 -001	R.O.	Wood Bar Stool - Broderick Style (Dark Cherry)
6.	54-861080-000		Chair Glide Pkg. (Qty. 4)

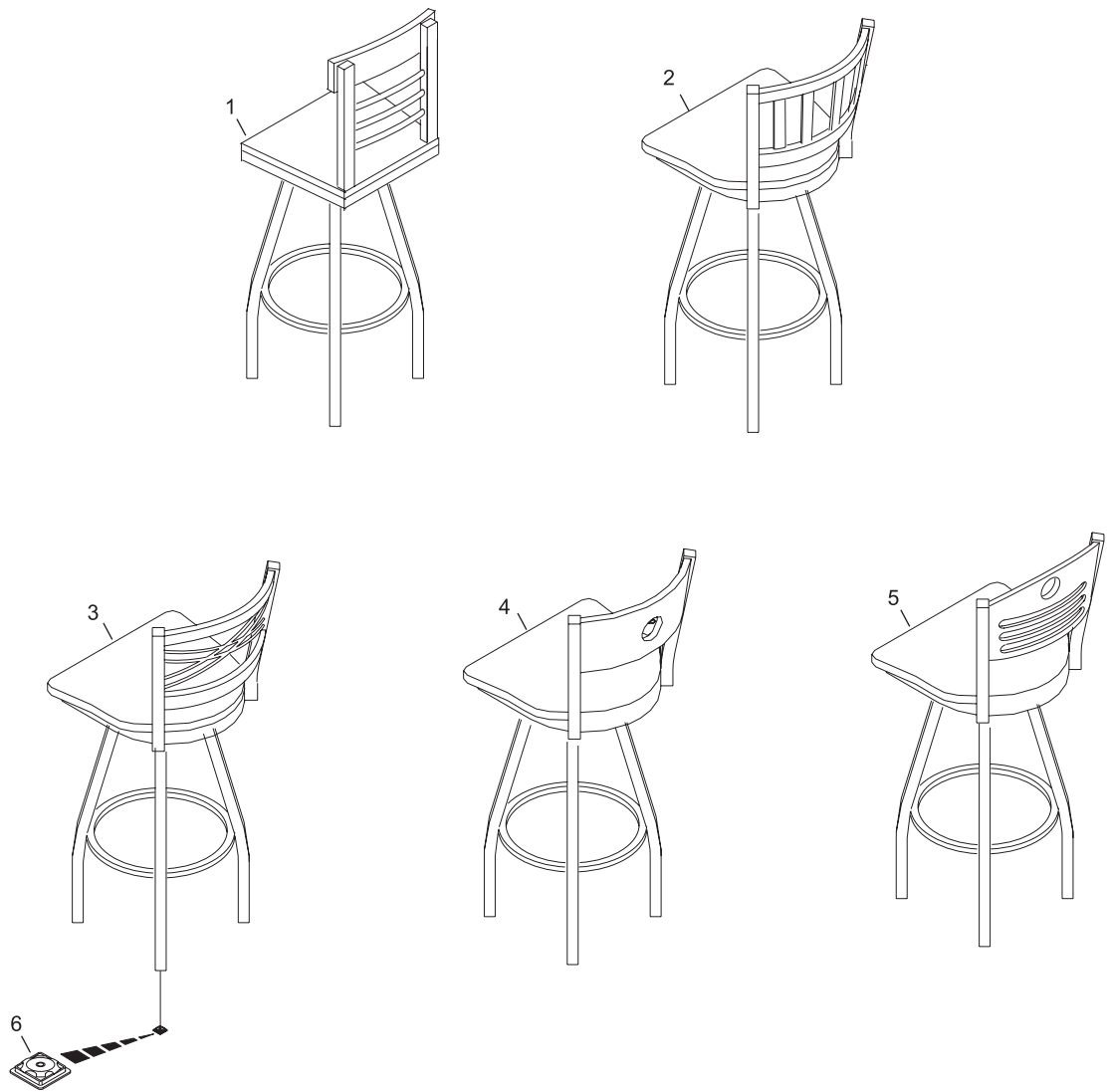
* Color Chart

-001	DARK CHERRY
-002	MAPLE

*When replacing the following seat styles, customers must also order (2) 53-860395-000 45° seat swivel seat styles: Florence, Contesa, Catalina and Voltaire

Striking Line - Wood Seat Only - Replacement			
Bar Stool Bucket Style	Dark Cherry	Natural	Qty. per Pkg.
EASTON	54-860512-001	54-860512-002	2
MONTGOMERY	54-860512-001	54-860512-002	2
BRODICK	54-860512-001	54-860512-002	2
ALDEN	54-860512-001	54-860512-002	2
WAYLAND	54-860513-001	54-860513-002	2

Striking Line Wood Stools



Striking Line Wood Stools

Intentionally Blank Page

Section F

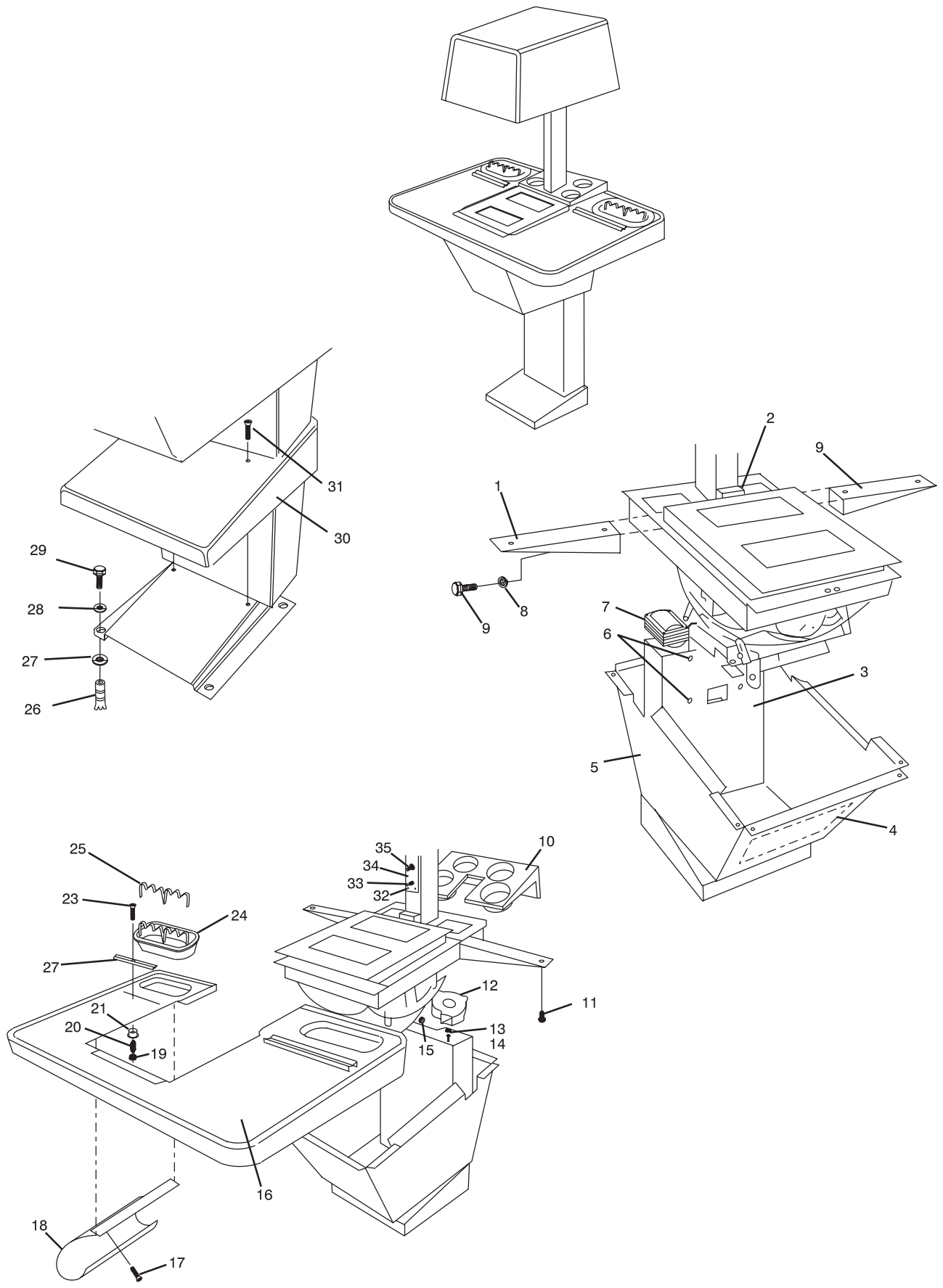
TEL-E-SCORE

Index

No.	Part No.		Description
1.	N.A.		Support Bracket
2.	N.A.		Filler
3.	N.A.		Base Assembly
4.	N.A.		Wiring Diagram Decal
5.	N.A.		Lower Unit Cover
6.	N.A.		Flat Socket Hd. Cap Screw (1/4-20 x 5/8")
7.	N.A.		Autoformer Assembly (230V Units Only)
8.	11-195016-001		Lockwasher (3/8)
9.	11-001342-001		Hex Hd Cap Screw (3/8 -16 x 3/4")
10.	N.A.		Bottle Holder Casting
	N.A.		Plain Casting
11.	11-082094-009	N.A.	Self Tapping C.R. Rd. Hd. Screw (#10 x 3/4")
12.	N.A.		Blower Assembly
13.	N.A.		C.R. Rd. Hd. Machine Screw (10-32 x 1/2")
14.	11-198003-001		External Tooth Lockwasher (#10)
15.	N.A.		Grommet
16.	N.A.		Tel-E-Score Top Only
17.	N.A.		Self Tapping C.R. Flat Hd. Screw (#8 x 5/8")
18.	N.A.		Score Sheet Holder
19.	11-170004-001		Self Locking Nut (8-32)
20.	N.A.		Spring
21.	N.A.		Cup
22.	N.A.		Score Pad Clamp
23.	N.A.		C.R. Oval Hd. Machine Screw (8-32 x 1-1/2")
24.	N.A.		Ashtray Assembly
25.	N.A.		Ashtray Insert
26.	N.A.		Concrete Fastener (3/8)
27.	N.A.		Flat Washer (5/8)
28.	11-191014-001		Flat Washer (3/8)
29.	11-001343-001		Hex. Hd. Cap Screw (3/8-16 x 7/8")
	11-070063-001	N.A.	Hex Hd. Lag Screw (3/8 x 1-3/4")
30.	N.A.		Foot Cover
31.	11-014090-009		C.R. Flat Hd. Machine Screw (8-24 x 1")
32.	N.A.		Self Tapping C.R. Rd. Hd. Screw (#4 x 3/8")
33.	N.A.		Main Switch
34.	N.A.		Service Plate
35.	N.A.		Service Switch

N.A. = No Longer Available

"2000" Tele-E-Score



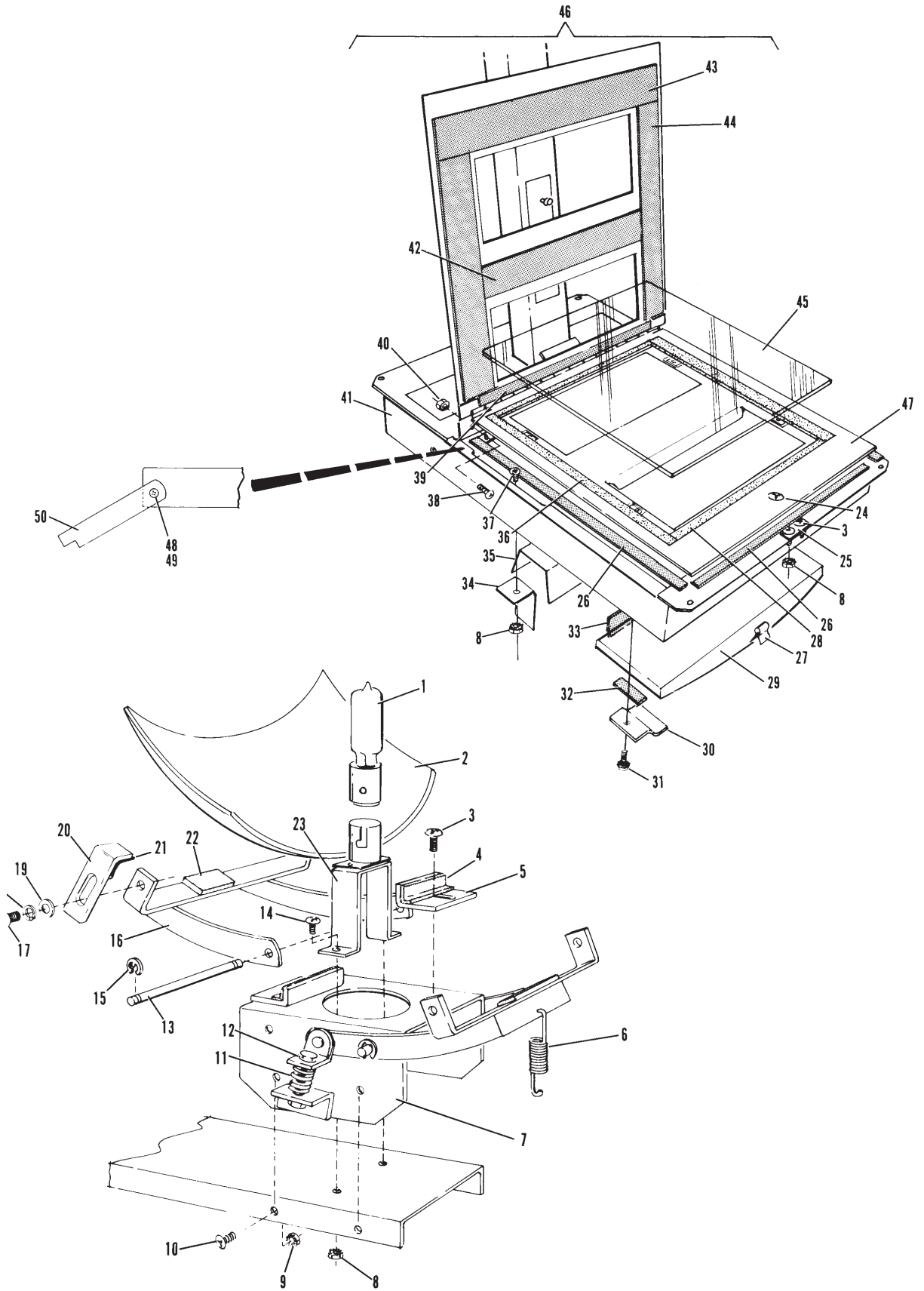
"2000" Tele-E-Score

Index

No.	Part No.		Description
1.	17-213927-000		Projection Lamp (150 Watt)
2.	N.A.		Parabolic Reflector
3.	N.A.		C.R. T. Hd. Machine Screw (10-32 x 3/8")
4.	N.A.		Felt Lining
5.	N.A.		Reflector Holder
6.	N.A.		Tension Spring
7.	N.A.		Reflector Channel Assembly
8.	11-176008-001	N.A.	Keps Nut (10-32)
9.	11-176000-001		Keps Nut (1/4-20)
10.	N.A.		C.R. Rd. Hd. Machine Screw (1/4-20 x 1/2")
11.	N.A.		Compression Spring
12.	11-001188-001		Hex Hd. Cap Screw (1/4-20 x 1/2")
13.	N.A.		Attaching Pin
14.	N.A.		C.R. Rd. Hd. Machine Screw (10-32 x 1/2")
15.	N.A.		Retaining Ring
16.	N.A.		Reflector Bracket Assembly
17.	N.A.		Hex Hd. Washer Ground Screw (10-32 x 3/8")
18.	11-195010-001		Lockwasher (#10)
19.	11-190006-001		Flat Washer (#10)
20.	N.A.		Reflector Clamp Assembly
	N.A.		Reflector Clamp Only
21.	N.A.		Felt Pad
22.	N.A.		Felt Pad
23.	N.A.		Lamp Holder Assembly
24.	11-014148-002		C.R. Flat Hd. Machine Screw (1/4-20 x 3/4")
	N.A.		Quick Release Nut (1/4-20)
25.	N.A.		Fastener Bracket
26.	N.A.		Felt Pad
27.	N.A.		Spring Clip
28.	N.A.		Felt Pad
29.	N.A.		Lens
30.	N.A.		Lens Clamp
31.	N.A.		C.R. Rd. Hd. Machine Screw (8-32 x 1/2")
32.	N.A.		Felt Pad
33.	N.A.		Felt Pad
34.	N.A.		Support Bracket
35.	N.A.		Lamp Shield
36.	N.A.		Felt Pad
37.	N.A.		C.R. Rd. Hd. Machine Screw (10-32 x 5/8")
38.	11-012270-001		C.R. Pan Hd. Machine Screw (6-32 x 1/4")
39.	N.A.		Felt Pad
40.	N.A.		Keps Nut (6-32)
41.	N.A.		Column Assembly
42.	N.A.		Felt Pad
43.	N.A.		Felt Pad
44.	N.A.		Felt Pad
45.	N.A.		Writing Glass
	N.A.		Protective Cover (Plastic)
46.	N.A.		Lens Case Cover Assembly
47.	N.A.		Lens Case
48.	11-014064-001	N.A.	C.R. Flat Hd. Machine Screw (8-32 x 1/2")
49.	11-170004-001		Self Locking Nut (8-32)
50.	N.A.		Latch

N.A. = No Longer Available

"2000" Tel-E-Score



"2000" Tel-E-Score

Index

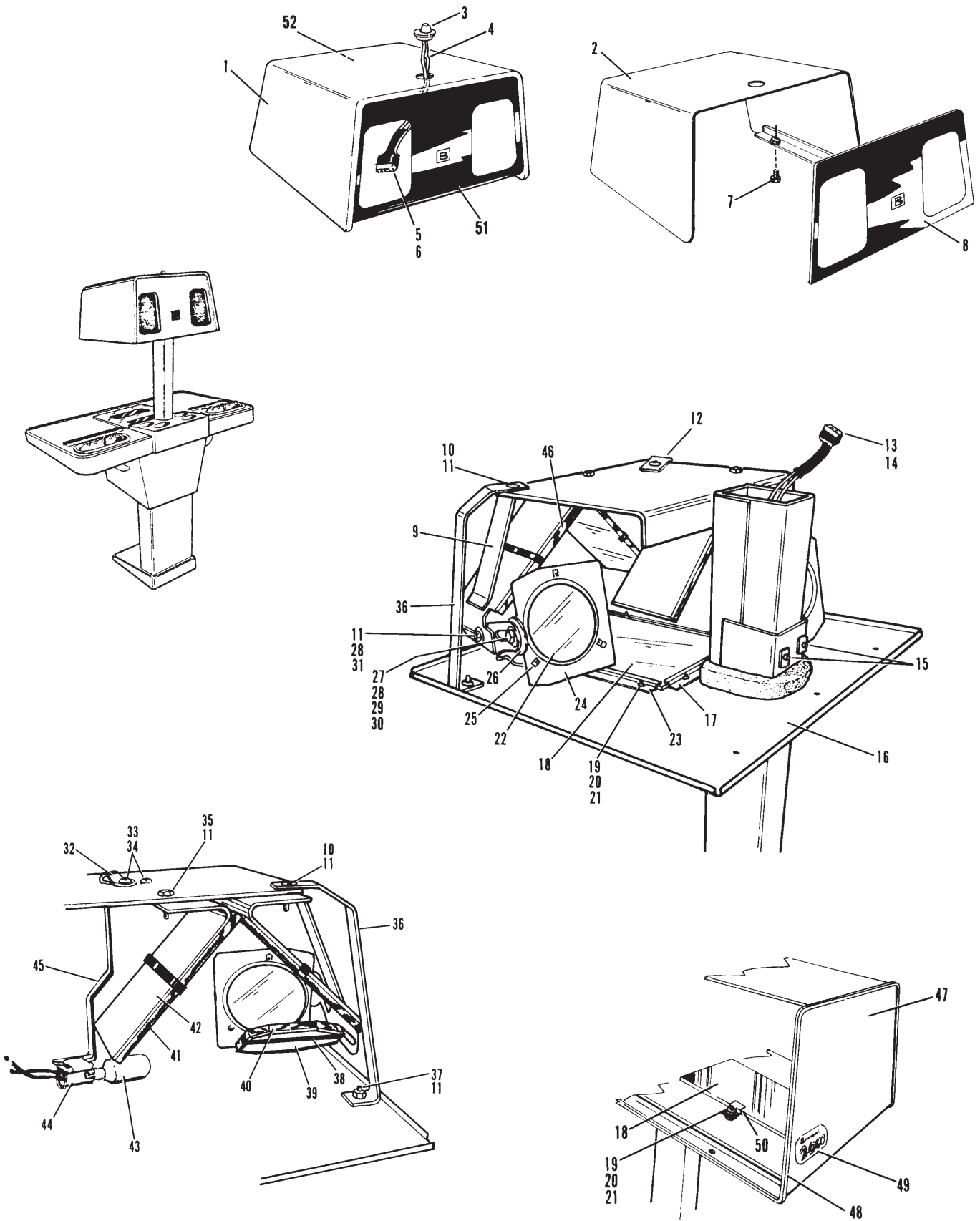
No.	Part No.		Description
1.	*N.A.		Hood Assembly - Fiberglass
2.	**N.A.		Cover Assembly - Metal
3.	N.A.		Service Lamp Only
4.	N.A.		Service Lamp Assembly - Complete
5.	11-680101-000		Connector Plug (3 Contacts)
6.	11-680302-000	N.A.	Terminal
	57-860032-000)	R.O.	Terminal - Male (Pkg. of 10)
7.	N.A.		C.R. T. Hd. Machine Screw (1/4-20 x 5/8")
8.	**N.A.		Front Window (See Note)
9.	N.A.		Mirror Support
10.	N.A.		C.R. Flat Hd. Machine Screw (1/4-20 x 5/8")
11.	11-176000-001		Keps Nut (1/4-20)
12.	*N.A.		L.H. Brace
13.	11-680201-000		Receptacle (3 Contacts)
14.	11-680301-000	N.A.	Terminal
	57-860031-000	R.O.	Terminal - Female (Pkg. of 10)
15.	N.A.		Set Screw (1/4-20 x 1/2")
16.	*N.A.		Pan Only
	N.A.		Pan Assembly - Complete
17.	N.A.		Short Clamp
18.	N.A.		Window
19.	11-024045-001	N.A.	C.R. T. Hd. Machine Screw (6-32 x 3/8")
20.	11-190002-001		Flat Washer (#6)
21.	11-125001-001		Hex Nut (6-32)
22.	53-600350-000	N.A.	Lens
23.	*53-600378-000	N.A.	Long Clamp
24.	N.A.		Lens Holder
25.	53-600366-000	N.A.	Dart Clip
26.	N.A.		Adjusting Bushing
27.	N.A.		Sems Hex Hd. Cap Screw (1/4-20 x 3/4")
28.	11-191010-001		Flat Washer (1/4)
29.	N.A.		Spring Washer (1/4)
30.	11-170007-001		Self Locking Nut (1/4-20)
31.	11-001180-001		Hex Hd. Cap Screw (1/4-20 x 5/8")
32.	N.A.		Cable Clamp
33.	N.A.		C.R. Rd. Hd. Machine Screw
34.	11-176008-001	N.A.	Keps Nut (10-32)
35.	11-001182-001		Hex Hd. Cap Screw (1/4-20 x 3/4")
36.	*N.A.		R.H. Brace
37.	N.A.		C.R. Pan Hd. Machine Screw (1/4-20 x 5/8")
38.	N.A.		Spring Fastener
39.	N.A.		Lower Right Mirror Support - Shown
	N.A.		Lower Left Mirror Support - Opposite
40.	N.A.		Lower Mirror
41.	N.A.		Center Mirror
42.	N.A.		Center Mirror Support
43.	N.A.		Lamp - 25T8
44.	N.A.		Socket Assembly
45.	N.A.		Lamp Bracket
46.	N.A.		Side Mirror
47.	**N.A.		Pan Assembly
48.	**N.A.		Rubber Channel
49.	**N.A.		Decal - "Brunswick"
50.	**N.A.		Window Clamp
51.	*N.A.		Front Window
52.	*N.A.		Rear Window

N.A. = No Longer Available

* Units Serial # to 2992

** Units Serial #2992 and Up

NOTE:Use double face tape to attach. Purchase Locally.



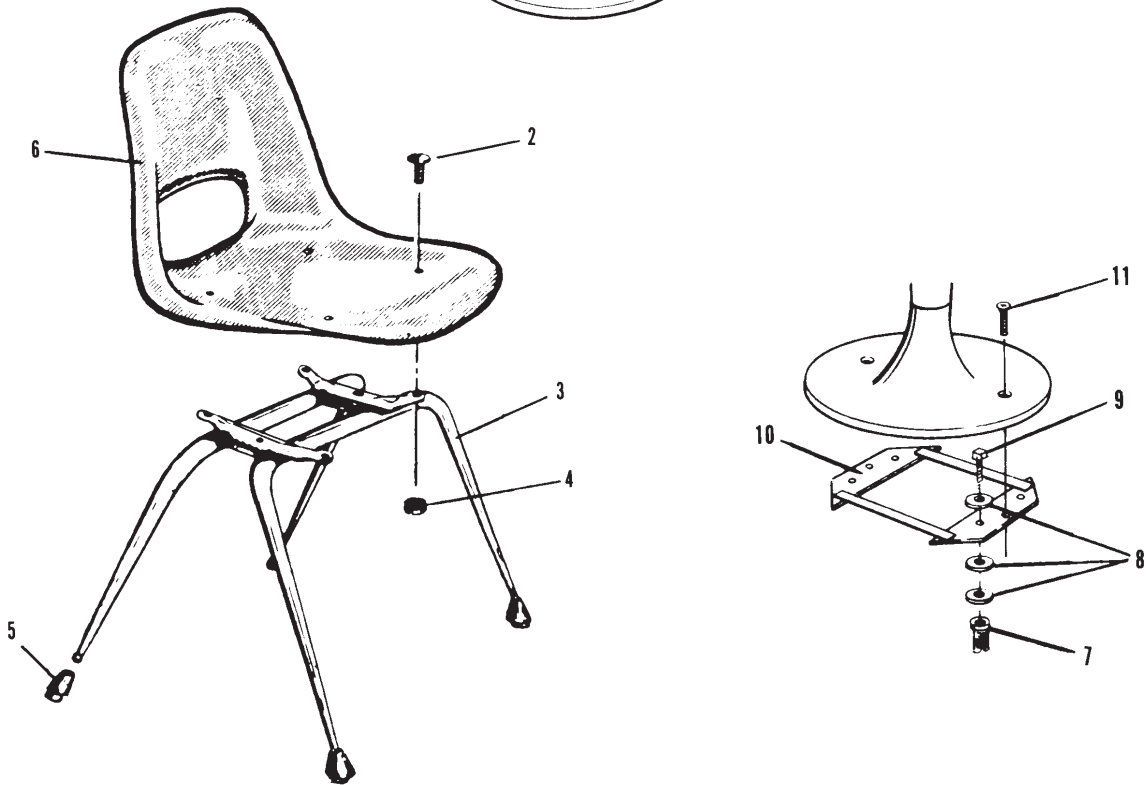
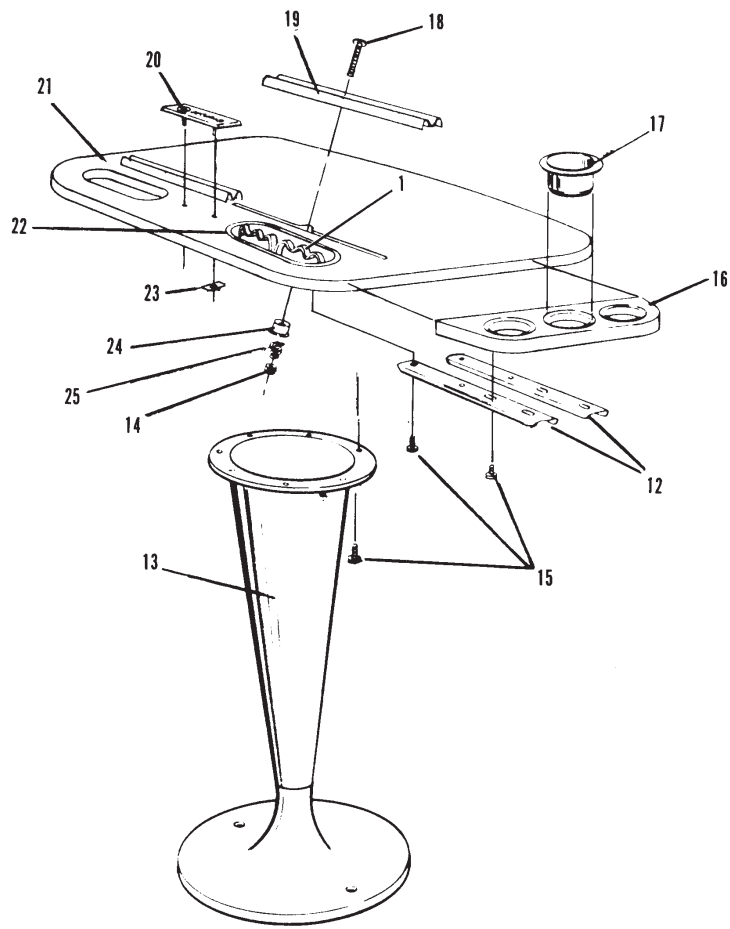
"2000" Tel-E-Score

Index

No.	Part No.		Description
1.	N.A.		Ashtray Insert
2.	N.A.		T. Hd. Nib Screw (1/4-20 x 9/16")
3.	N.A.		Chassis Assembly (Brown)
4.	11-176000-001		Keps Nut (1/4-20)
5.	N.A.		Glide Only
	39-109617-000	N.A.	Foot Assembly w/Glide
6.	N.A.		Seat Assembly (White)
7.	N.A.		Concrete Fastener (3/8-16)
	N.A.		Expansion Shield (3/8-16 x 1-1/2")
8.	11-191014-001		Flat Washer (3/8)
9.	11-001343-001		Hex Hd. Cap Screw (3/8-16 x 7/8")
	11-070063-001	N.A.	Hex Hd. Lag Screw (3/8 x 1-3/4")
10.	N.A.		Floor Frame Assembly
11.	N.A.		C.R. Oval Hd. Machine Screw (5/16-18 x 1")
12.	N.A.		Support Channel
13.	N.A.		Pedestal Assembly (Gray)
14.	11-170004-001		Self Locking Nut (8-32)
15.	N.A.		Self Tapping C.R. Rd. Hd. Screw (#14 x 3/4")
16.	N.A.		Glass and Bottle Rack
17.	N.A.		Glass and Bottle Holder
18.	N.A.		C.R. Oval Hd. Machine Screw (8-32 x 1-1/2")
19.	N.A.		Score Pad Clamp
20.	N.A.		Name Plate
21.	N.A.		Top Assembly
22.	N.A.		Ashtray
23.	N.A.		Speed Nut (3/16)
24.	N.A.		Cup
25.	N.A.		Spring

N.A. = No Longer Available

Scoring Ensemble & Bowling Chair



Scoring Ensemble & Bowling Chair

Intentionally Blank Page

Section G

TEL-E-FOUL

Index

No.	Part No.	Description
1.	53-860155-001	Cover w/Lens ("2000" Brown)
2.	53-400241-000	N.A. Cover Only (Dark Gray)
	53-860995-012	N.A. Covers - Pkg. of 2 (Dark Gray)
3.	*53-600077-000	Lens (Red)
4.	53-600076-000	Lens Retainer (Black)
5.	11-095008-000	Taplok Insert (1/4-20)
6.	**53-600077-002	N.A. Lens - White Matte Face
7.	11-178531-000	Tee Nut (1/4-20)
8.	53-861068-000	N.A. Tel-E-Foul - Complete (115/230 Volt 50/60 Hz)
	53-861076-000	R.O. Tel-E-Foul
	N.A.	Tel-E-Foul - Complete (230 Volt 50/60 Hz)
	N.A.	Tel-E-Foul - Infrared - under ball return cover only
9.	11-070505-001	Hex Hd. Lag Screw (#10 x 2")
10.	11-042123-001	N.A. Sltd. Rd. Hd. Wood Screw (#12 x 3/4")
11.	53-600102-000	N.A. Mounting Plate
12.	11-040157-001	N.A. C.R. Flat Hd. Wood Screw (#14 x 1-1/2")
13.	11-042061-001	N.A. Sltd. Rd. Hd. Wood Screw (#8 x 1/2")
14.	53-600087-000	N.A. Lamp Clip
15.	N.A.	Cover w/Lens (Astroline Off-White)
	N.A.	Cover w/Lens ("2000" Ermine White)
16.	N.A.	Cover Only ("2000" Ermine White)
17.	11-024524-001	N.A. C.R. T. Hd. Machine Screw w/Nylok (6-32 x 5/16")
18.	53-600093-000	N.A. Shorting Plug Assembly
19.	11-680201-000	Receptacle (3 Contacts)
20.	N.A.	Wire w/Pin - White/Gray (2-3/4")
21.	11-680301-000	N.A. Terminal
	57-860031-000	R.O. Terminal - Female (Pkg. of 20)
22.	11-026300-004	C.R. Oval Hd. Machine Screw (1/4-20 x 3-1/2")
23.	11-190008-001	Flat Washer (#12)
24.	53-600088-000	N.A. Mounting Plate Assembly
25.	53-600163-000	N.A. Cover Only ("2000" Ermine White)
	53-860996-012	N.A. Cover Only (Lt. Gray)
	84-860551-000	N.A. Cover Only - Framework Plastic
	84-860602-000	R.O. Division Tel-E-Foul Cover Pkg.
26.	53-600100-000	N.A. Reflector and Bracket Assy.
		R.O. order index no. 39
27.	53-600099-000	N.A. Bracket Only
		R.O. order index no. 39
28.	11-042524-001	N.A. C.R. Rd. Hd. Wood Screw (#6 x 3/4")
29.	53-600101-000	Reflector Only
30.	53-600074-000	N.A. Reflector and Bracket Assy.
		R.O. order index no. 39
31.	53-600073-000	N.A. Bracket Only
		R.O. order index no. 39
32.	11-024168-002	N.A. C.R. T. Hd. Machine Screw (10-24 x 5/8")
33.	N.A.	Twin Pilot Nut (10-24)
34.	N.A.	L.H. Return Cover (Astroline Gray)
	N.A.	L.H. Return Cover ("2000" Brown)
35.	N.A.	R.H. Return Cover (Astroline Gray)
	N.A.	R.H. Return Cover ("2000" Brown)
36.	11-042125-000	N.A. Sltd. Rd. Hd. Wood Screw (#12 x 1")
37.	***57-860215-000	N.A. Standard Tel-E-Foul PCB
38.	***57-861011-001	N.A. Infrared Tel-E-Foul PCB
	***57-861011-002	N.A. Infrared Sensor Only
39.	***53-860299-000	Reflector and Bracket Package - Contains: (2) 53-860299-001, (2) 53-600101-000, (2) 53 860299-003, (4) 53-860299-004, (4) 53-860299-005

N.A. = No Longer Available

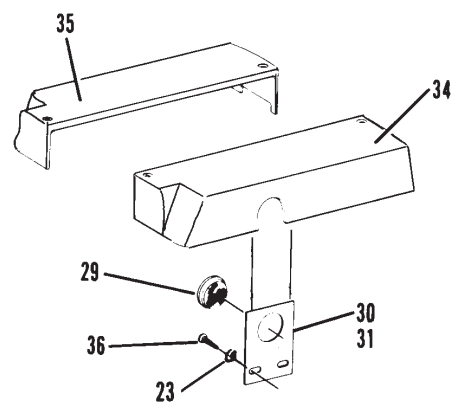
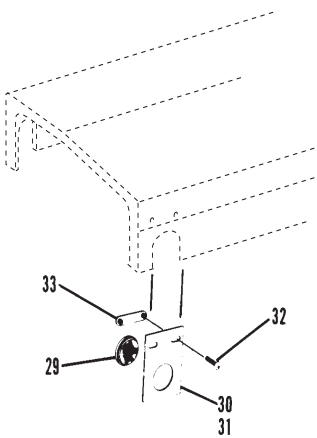
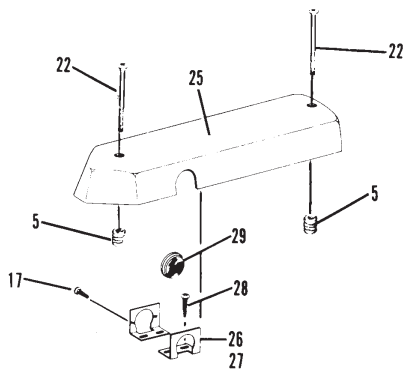
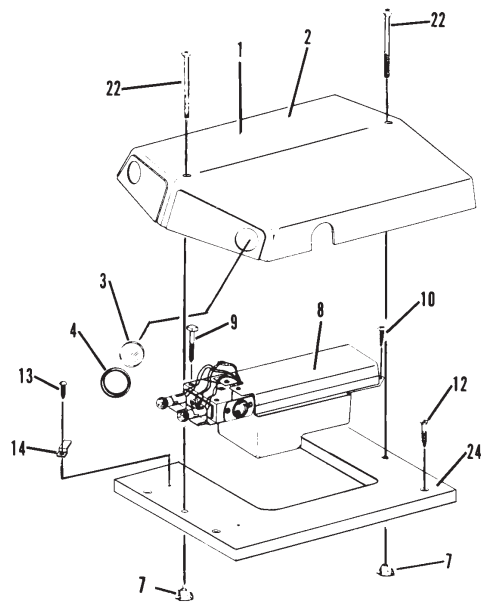
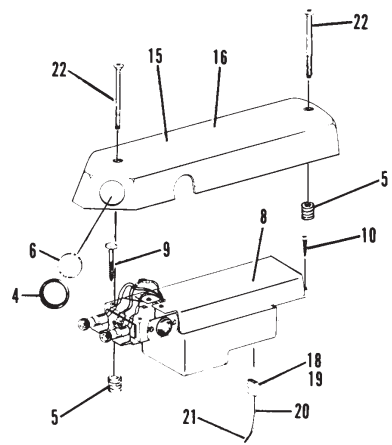
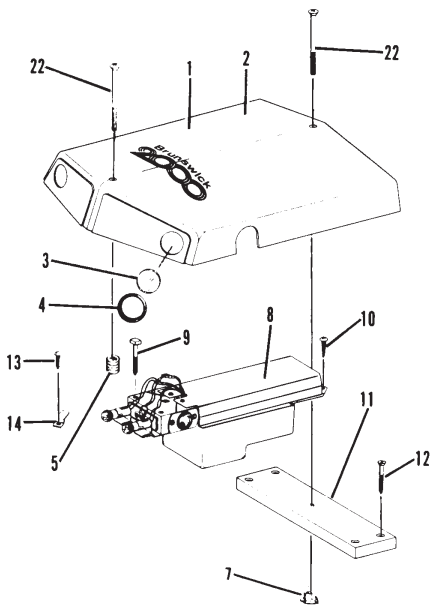
R.O. = Replacement Option

* For Subway Return Systems

** For Surface or Concealed Surface Return Systems

*** Not Illustrated

Tele-E-Foul Cover & Reflector Assembly



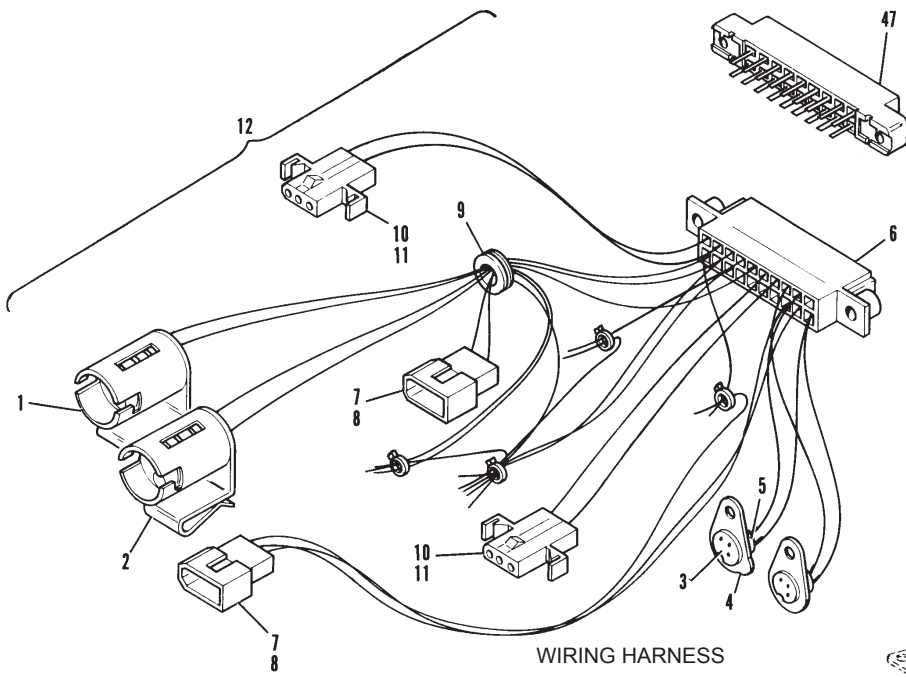
Tele-E-Foul Cover & Reflector Assembly

Index

No.	Part No.		Description
1.	53-600040-002		L.H. Socket Assembly
2.	53-600040-003		R.H. Socket Assembly
3.	53-600060-000		Photocell Mount
4.	53-600067-000		Photocell Bracket
5.	53-600059-000		Photocell
6.	11-696805-000	N.A.	Connector
7.	11-680101-000		Connector Plug (3 Contacts)
8.	11-680307-000		Terminal
9.	11-651019-000	N.A.	Grommet
10.	11-680301-000	N.A.	Terminal
	57-860031-000	R.O.	Terminal - Female (Pkg. of 20)
11.	11-680203-000		Connector Housing (3 Contacts)
12.	*53-600141-000	N.A.	Tel-E-Foul Harness - Complete
13.	53-600149-000		Wire Harness Assembly (45")
	N.A.		Wire Harness Assembly (105")
14.	11-678904-000		Connector Plug (90°)
15.	32-201654-000		Adapter
16.	11-605128-000		Cable Clamp
17.	11-602104-000	N.A.	Cord Grip
18.	11-403501-000		Anti-Short Bushing
19.	11-686001-000	N.A.	Outlet Box
20.	N.A.		Outlet Box Cover
21.	N.A.		Adapter Box Assembly - Complete
22.	N.A.		PCB Assembly
23.	N.A.		Cover
24.	N.A.		Box
25.	N.A.		Harness Assembly - Complete
26.	11-013056-001	N.A.	Sltd. Pan Hd. Machine Screw (8-32 x 1/4")
27.	11-190004-001		Flat Washer (#8)
28.	N.A.		Self Tapping Hex Hd. Washer Screw (#8 x 3/8")
29.	11-603109-000		Cable Tie (7-1/2")
30.	11-176006-001		Keps Nut (10-24)
31.	11-013078-001	N.A.	Sltd. Pan Hd. Machine Screw (10-24 x 1/2")
32.	N.A.		Standoff
33.	53-600128-000	N.A.	Transformer
34.	N.A.		Resistor
35.	N.A.		Relay
36.	11-693004-000	N.A.	Diode
37.	11-696109-000	N.A.	Capacitor
38.	N.A.		Cable Assembly w/o Connectors
39.	11-680303-000	N.A.	Terminal
40.	11-680251-000	N.A.	Edge Connector (12 Contacts)
41.	11-603108-000	N.A.	Cable Tie (3-5/8")
42.	N.A.		R.H. Adapter Cable - White (80')
43.	N.A.		L.H. Adapter Cable - Black (80')
44.	11-680103-000	N.A.	Connector Plug (3 Contacts)
45.	N.A.		Self Tapping Hex Hd. Washer Screw (#8 x 1")
46.	N.A.		Tap Splice
47.	53-600058-000	N.A.	Connector (for units so equipped)

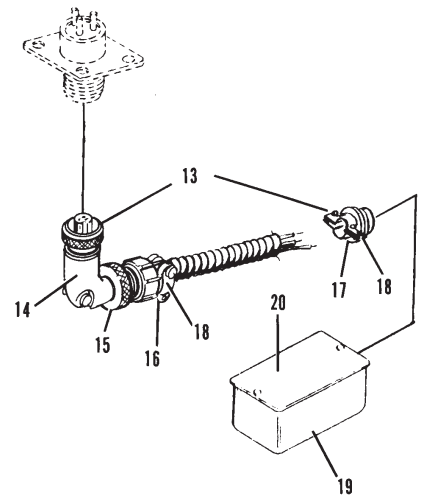
N.A. = No Longer Available

Tel-E-Foul Harness & AMF Adapter Box

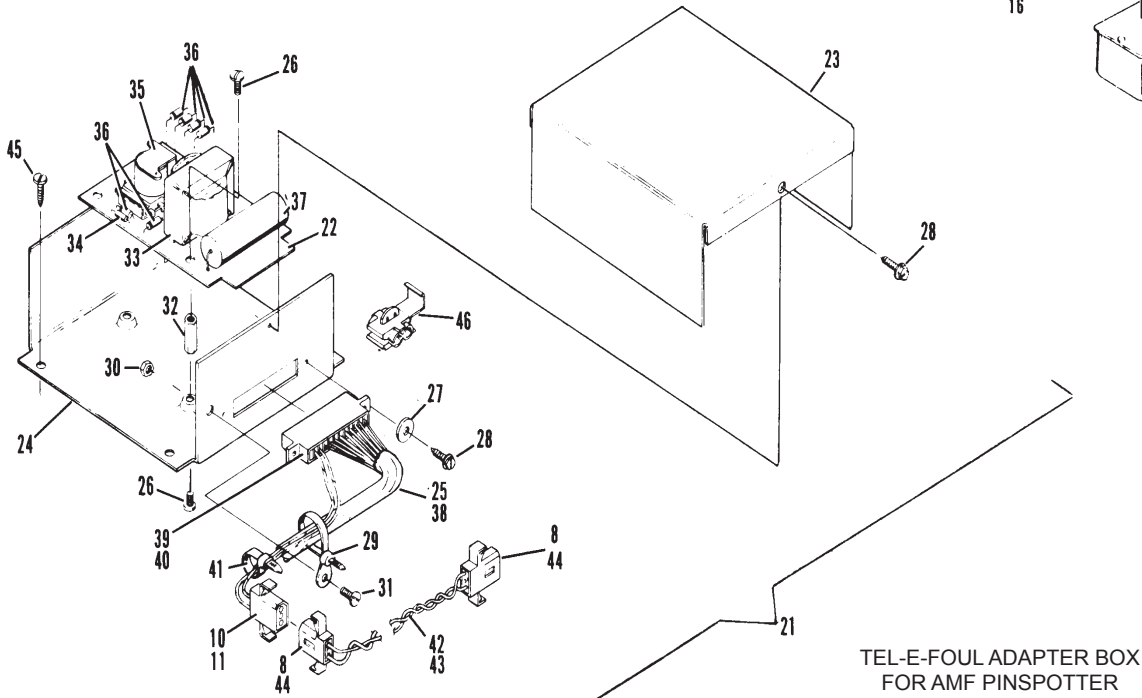


FOR UNTIS SO
EQUIPTED

WIRING HARNESS



TEL-E-FOUL HARNESS ASSEMBLY



TEL-E-FOUL ADAPTER BOX
FOR AMF PINSPOTTER

Tel-E-Foul Harness & AMF Adapter Box

Index			Index		
No.	Part No.	Description	No.	Part No.	Description
1.	N.A.	Lamp (10W 115V)	37.	11-190004-001	Flat Washer (#8)
2.	N.A.	Lamp Socket Assembly	38.	N.A.	C.R. Rd. Hd. Machine Screw (8-32 x 1/4")
3.	N.A.	Bracket (Photocell)			Lamp (Special 6 Volt)
4.	N.A.	Photocell	39.	15-609567-000	Divider
5.	15-614058-000	N.A. Self Tapping C.R. B. Hd. Screw (#6 x 5/16")	40.	N.A.	Self Tapping Sltd. B. Hd. Screw (#8 x 3/8")
6.	11-696159-000	N.A. Capacitor	41.	N.A.	Adjusting Plate
7.	N.A.	Transformer	42.	N.A.	Fill Block
8.	N.A.	Buzzer	43.	N.A.	Flat Hd. Wood Screw (#10 x 1-3/4")
9.	N.A.	Timing Unit - Complete	44.	N.A.	Fuse Cap
10.	11-609502-000	N.A. Wire Connector	45.	N.A.	Lamp/Socket/Connector Assembly
11.	11-018003-001	Rd. Hd. Machine Screw (4-40 x 5/16")	46.	N.A.	Internal Tooth Lock-washer (#4)
12.	N.A.	Socket	47.	11-199000-001	Plastic Knob
13.	N.A.	Light Source Lead Assy. (84")	48.	32-014500-000	N.A. Hex Nut (4-40)
14.	N.A.	Cable Assembly w/o Connectors (45")	49.	11-125000-001	Circuit Board Assembly (Index Nos. 55 thru 60)
15.	11-685127-000	Fuse Holder	50.	N.A.	Timing Cam - thru Serial #6941 (Ten Pin)
16.	N.A.	Fuse (1 Amp)	51.	N.A.	Timing Cam - Serial #6942 and Up (Ten Pin)
17.	11-605128-000	Cable Clamp		N.A.	Note: Assemble with Latch 53-600018-000
18.	11-678904-000	Connector Plug (90°)			Timing Cam (Duck and Candle)
19.	N.A.	Capacitor	52.	N.A.	Latch Assembly - thru Serial #6941
20.	N.A.	Potentiometer		N.A.	Latch Assembly - Serial #6942 and Up
21.	11-678903-000	Receptacle (3 Contacts)	53.	32-201654-000	Adaptor
22.	11-693001-000	N.A. Silicon Diode	54.	N.A.	Plug
23.	N.A.	Control Unit Cover	55.	*N.A.	Insulating Sleeve (Plastic Cover of Index No. 50)
24.	15-609641-000	N.A. Resistor	56.	11-693008-000	N.A. Diode
25.	N.A.	Ambient Light Grid Assy.	57.	11-691125-000	N.A. Resistor
26.	N.A.	Connector (Male)	58.	11-696309-000	N.A. Capacitor
27.	N.A.	Connector (Female)	59.	17-860325-000	N.A. Relay
28.	N.A.	Solenoid	60.	N.A.	Circuit Board Only
29.	N.A.	Base Mounting Plate			
30.	N.A.	Angle Bracket			
31.	11-190006-001	Flat Washer (#10)			
32.	11-013076-001	N.A. Sltd. Rd. Hd. Machine Screw (10-24 x 3/8")			
33.	32-200314-000	N.A. Lens and Case Assembly			
34.	32-200317-000	N.A. Special Hex Nut (1-20)			
35.	32-201558-000	N.A. Lamp Socket Assy. w/ Wires			
36.	N.A.	Lockwasher (#8)			

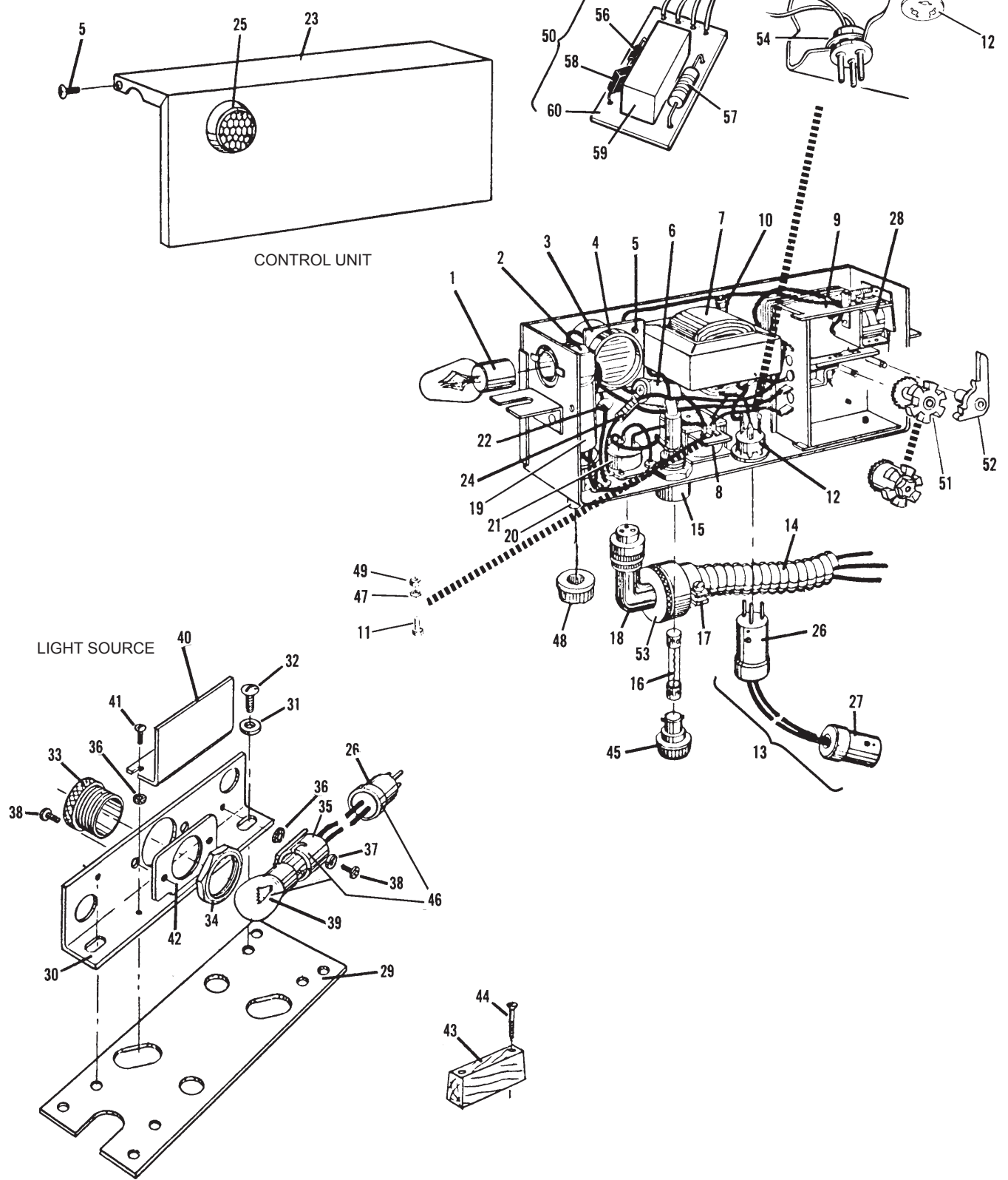
N.A. = No Longer Available

* Not Illustrated

NOTE: The Tel-E-Foul "Exchange Unit" is no longer available for sale. You can, however, have your inoperative unit repaired by Brunswick on a "time plus material" cost basis. For information regarding this program, please contact the regional office for your area. Your unit must be shipped freight prepaid to that office.

Tel-E-Foul Control Unit & Light Source

FOR USE WITH
AUTOMATIC SCORING



Tel-E-Foul Control Unit & Light Source

Index No.	Part No.	Description
1.	N.A.	Top Cover
2.	11-651019-000	N.A. Grommet
3.	11-012270-001	C.R. Pan Hd. Machine Screw (6-32 x 1/4")
4.	11-195006-001	Lockwasher (#6)
5.	53-600063-000	N.A. Mirror
6.	53-600062-000	Mirror Seal
7.	*N.A.	Masking Tape (1")
8.	N.A.	Housing Block
9.	53-600037-000	N.A. Adjusting Seal
10.	53-600033-000	N.A. Cover Plate
11.	11-675514-002	Lamp 12 Volt (#1876)
12.	53-600105-000	N.A. Compression Spring
13.	53-600096-000	Socket Assembly w/o Wires
14.	11-012277-001	C.R. Pan Hd. Machine Screw (6-32 x 3/4")
15.	11-675513-002	Lamp (#90 Clear)
16.	53-600040-002	L.H. Socket Assy. w/Wires
17.	53-600040-003	R.H. Socket Assy. w/Wires
18.	53-600029-000	N.A. Chassis Assembly
19.	53-600047-000	N.A. Lens Assembly
20.	11-190002-001	Flat Washer (#6)
21.	11-012271-001	C.R. Pan Hd. Machine Screw (6-32 x 5/16")
22.	11-107006-000	N.A. Sltd. Rd. Hd. Machine Screw (4-40 x 1/2")
23.	53-600058-000	N.A. Connector (for Units So Equipped)
24.	11-190000-001	Flat Washer (#4)
25.	N.A.	Lockwasher (#4)
26.	11-125000-001	Hex Nut (4-40)
27.	11-125001-001	Hex Nut (6-32)
28.	N.A.	Cover (Use Index #61, 53-600155-002)
29.	11-012281-001	N.A. C.R. Pan Hd. Machine Screw (6-32 x 1-1/4")
30.	53-600055-000	N.A. Transformer (for Units So Equipped)
31.	53-600066-000	Buzzer
32.	11-012253-001	C.R. Pan Hd. Machine Screw (4-40 x 5/16")
33.	11-678903-000	Receptacle (3 Contacts)

N.A. = No Longer Available
R.O. = Replacement Option

* Purchase Locally

** Not Illustrated

*** Used on Tel-E-Foul 53-860806-002 and 53-860806-003

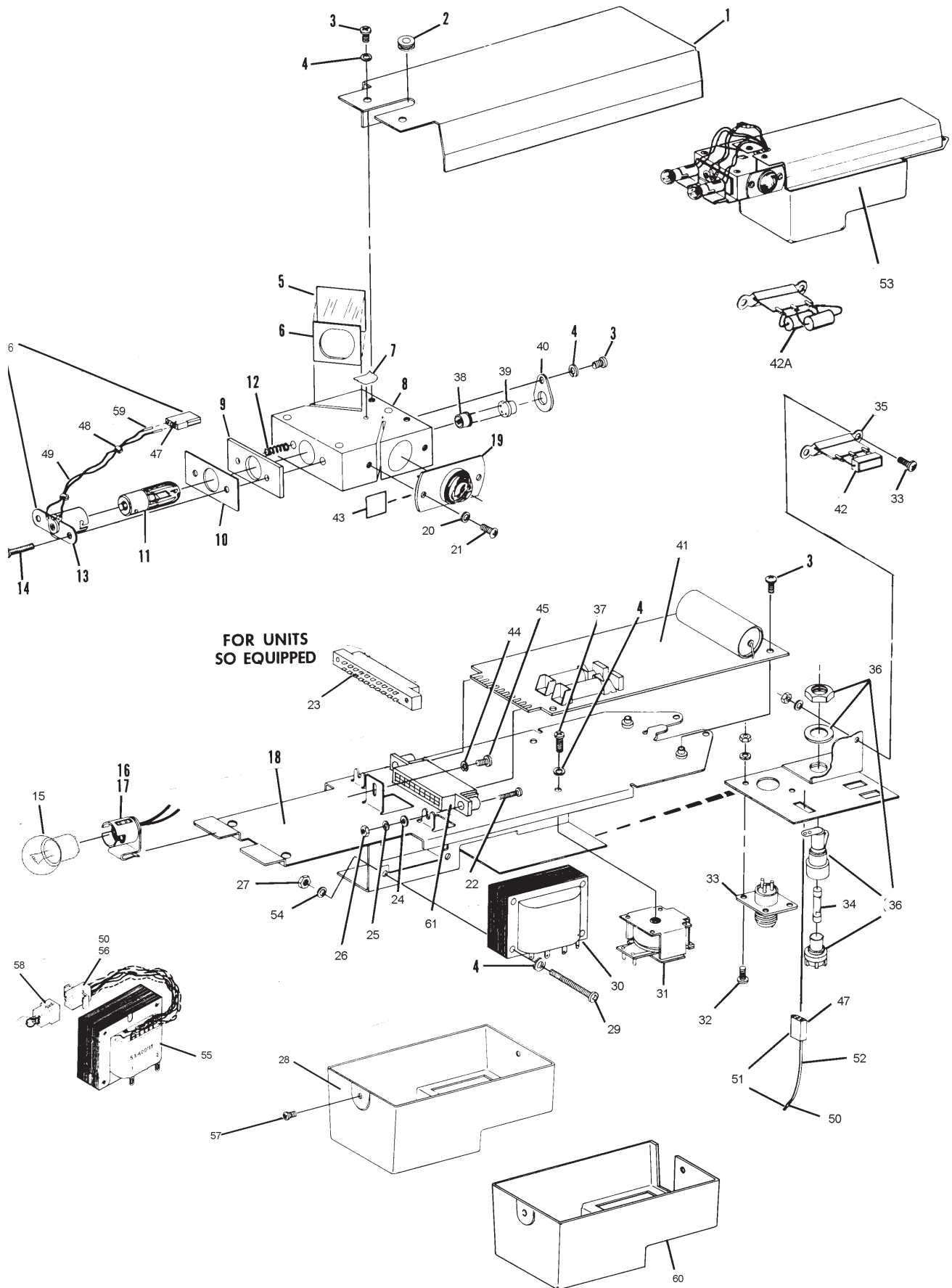
**** Used on Tel-E-Foul 53-600025-000

NOTE: Rebuilt circuit board assemblies are available on a direct exchange basis. Your defective circuit board assembly should be packaged along with a copy of the Brunswick Order Form (900.6) to identify your center and shipped to:

Brunswick Corporation
Electronic Repair Center
525 West Laketon Avenue
Muskegon, MI 49443

Index No.	Part No.	Description
34.	***11-685012-000	N.A. Fuse (AGC-1/2)
	57-860045-000	R.O. Fuse (Pkg. of 5)
	****11-685014-000	N.A. Fuse (AGC-1/4)
	****11-685015-000	N.A. Fuse (AGC-3/8)
	****N.A.	Fuse (AGC-3/16)
35.	11-619003-000	Terminal Strip
36.	53-600056-000	Fuseholder Assembly
37.	11-012272-001	C.R. Pan Hd. Machine Screw (6-32 x 3/8")
38.	53-600059-000	Photocell
39.	53-600060-000	Photocell Mount
40.	53-600067-000	Photocell Bracket
41.	53-860215-000	N.A. Circuit Board - Complete
42.	11-692503-000	N.A. Wire Bound Resistor
42A.	N.A.	Resistor
43.	53-600094-000	N.A. Lens Mask
44.	11-195008-001	Lockwasher (#8)
45.	11-012307-001	N.A. C.R. Pan Hd. Machine Screw (8-32 x 5/16")
	11-012057-001	R.O. Screw (8-32 x 5/16")
46.	53-600097-000	N.A. Socket and Connector Assy.
47.	11-680201-000	Connector Housing (3 Contacts)
48.	11-603108-000	N.A. Cable Tie
49.	N.A.	Wire w/Pin - White/Gray (6")
	N.A.	Wire w/Pin - White/Blue (6")
50.	11-680301-000	N.A. Terminal Pin
	57-860031-000	R.O. Terminal - Female (Pkg. of 20)
51.	53-600093-000	N.A. Shorting Plug Assembly
52.	N.A.	Wire w/Pin - White/Gray (2-3/4")
53.	N.A.	Tel-E-Foul - Complete (115V 50/60 Hz)
	53-860806-003	N.A. Tel-E-Foul - Complete (230Vt 50/60 Hz)
	N.A.	Tel-E-Foul - Complete (115V 50/60 Hz Canada Only)
54.	11-198001-001	External Tooth Lockwasher (#6)
55.	53-600117-000	Transformer Assembly
56.	11-680207-000	Connector Housing (6 Contacts)
57.	11-017521-001	N.A. Sems Sltd. Rd. Hd. Screw (6-32 x 5/16")
58.	53-600119-002	N.A. Plug Assembly (100V)
	53-600119-003	N.A. Plug Assembly (115V)
	53-600119-004	N.A. Plug Assembly (200V)
	53-600119-005	N.A. Plug Assembly (230V)
59.	11-680306-000	Terminal
60.	53-600155-002	N.A. Cover
61.	11-696805-000	N.A. Connector

"2000" Tel-E-Foul Control Unit



"2000" Tel-E-Foul Control Unit

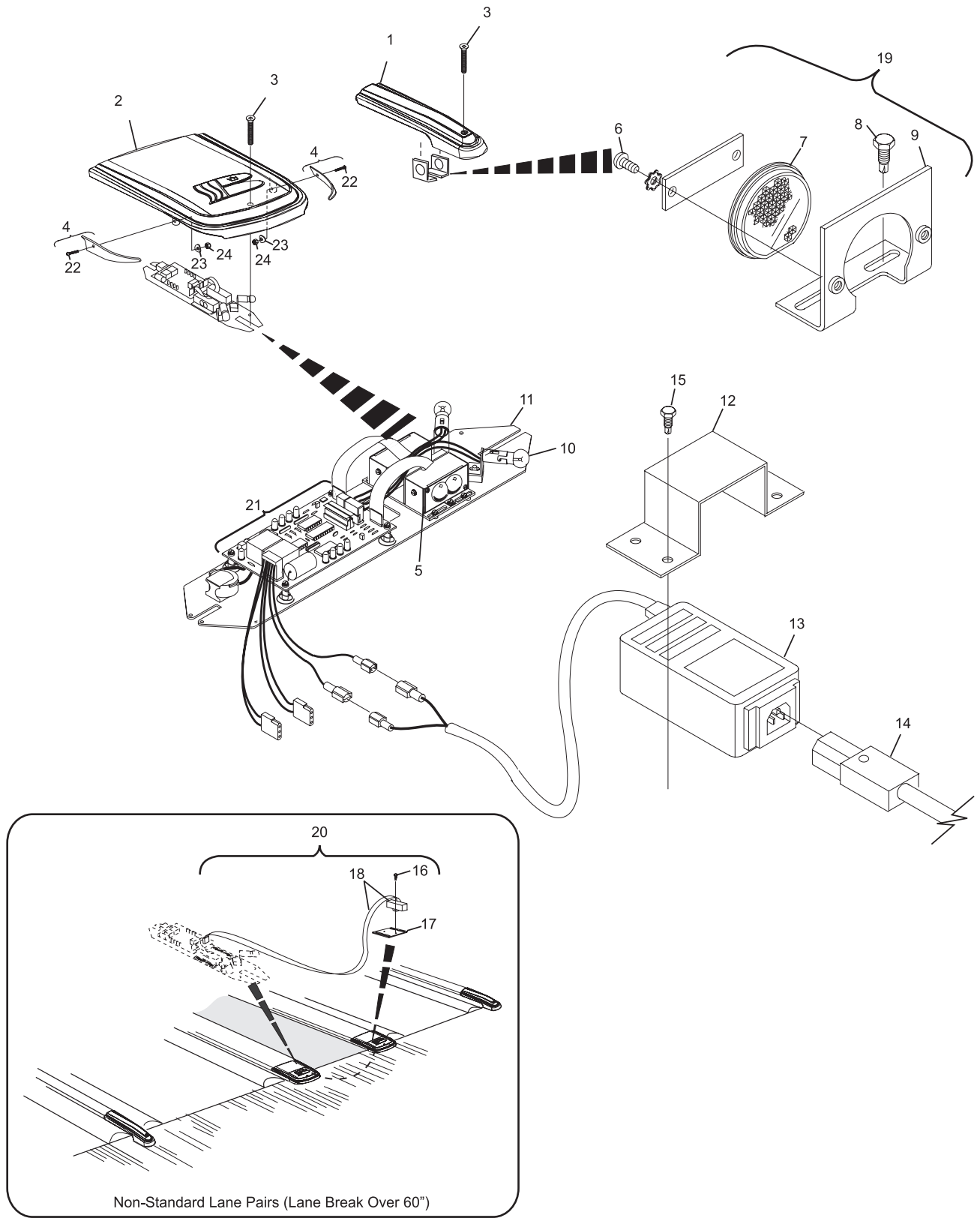
Index

No.	Part No.		Description
1.	84-860551-000	N.A.	Division (Tel-E-Foul) Cover,
	84-860602-000	R.O.	Frameworkx Tel-E-Foul Cover Pkg.
2.	84-860550-000	N.A.	Return (Tele-E-Foul) Cover Pkg.
	84-860603-000	N.A.	Return Cover Pkg.
	84-860769-000	R.O.	Return (Tele-E-Foul) Cover Pkg.
3.	11-040165-001	N.A.	Flat Head Robertson Screw (#14-3-1/2")
	11-081202-000	R.O.	Flat Head Robertson Screw (1/4-10 x 3-1/2")
4.	84-200249-000	N.A.	Lens Cover Set (right-hand and left-hand) Pkg.
	84-860769-000	R.O.	Return Cover, Lens and Mounting Hardware Pkg. (includes Lens and item Nos. 22, 23, and 24)
	84-860770-000	R.O.	Lens Cover and Mounting Hardware Pkg.
5.	53-600177-003	N.A.	Standard Sensor Assembly
6.	N.A.		Pan Head Screw (#6-32 x 5/16")
7.	53-600101-000		Reflector
8.	N.A.		Drill Point Screw (#8 x 1-1/4")
9.	N.A.	N.A.	Reflector to Division Mounting Bracket
10.	11-675513-002		Lamp - 12V (#9G clear)
11.	53-861068-000	N.A.	Tel-E-Foul Assembly
	53-861076-000	R.O.	Brunswick Tel-E-Foul Assembly Pkg.
12.	N.A.	N.A.	Transformer Mounting Bracket
13.	53-860326-230	N.A.	Tele-E-Foul Transformer - 230VAC, 50 Hz
	53-860629-230	R.O.	Tele-E-Foul Transformer - 230VAC, 50 Hz w/Power Cord
	53-860327-115	N.A.	Tele-E-Foul Transformer - 115VAC, 60 Hz
	53-860628-115	R.O.	Tele-E-Foul Transformer - 115VAC, 60 Hz w/Power Cord
	53-860326-100		Tele-E-Foul Transformer - 100VAC, 50 Hz
14.	53-860326-001	N.A.	Power Cord
15.	N.A.		Drill Point Screw (#8 x 3/4")
16.	N.A.		Drill Point Screw (#6-32 x 1-1/4")
17.	53-600177-002	N.A.	Sensor Mounting Plate
	53-600181-002	R.O.	Sensor Mounting Plate
18.	53-861069-002	N.A.	Remote Sensor Cable Assembly (120")
19.	53-860299-000		Reflector and Bracket Assembly
20.	53-861069-000		Remote Sensor Kit (includes items numbers 16, 17, and 18)
21.	53-600179-001	N.A.	Tel-E-Foul PCB
	53-600181-005	R.O.	Tel-E-Foul PCB
22.	11-006010-000		Button Head Cap Screw (#4-40 x 1")
23.	11-195001-000	N.A.	Formed Washer (#4)
24.	11-170000-001		Self Locking Nut (#4-40)

N.A. = No Longer Available

R.O. = Replacement Option

Frameworkx Tel-E-Foul



Frameworx Tel-E-Foul

Intentionally Blank Page

Section H

MASKING UNITS

Index

No.	Part No.	Description
1.	11-082062-001	N.A. C.R. Rd. Hd. Screw (#8-15 x 1/2")
<u>CORNER MOLDING</u>		
2.	53-200891-002	N.A. 133"
	53-200891-003	N.A. 12"
	N.A.	24"
	53-200891-005	N.A. 36"
	N.A.	48"
	N.A.	72"
	53-200891-008	N.A. 96"
	N.A.	73"
<u>UPPER FACE SHEET</u>		
3.	N.A.	12" x 9-1/2" Wide
	N.A.	24" x 9-1/2" Wide
	N.A.	36" x 9-1/2" Wide
	N.A.	48" x 9-1/2" Wide
	N.A.	72" x 9-1/2" Wide
	N.A.	96" x 9-1/2" Wide
	N.A.	73" x 9-1/2" Wide
	53-200858-017	133" x 9-1/2" Wide
<u>TRIM MOLDING</u>		
4.	53-200862-002	N.A. 133"
	N.A.	12"
	53-200862-004	N.A. 24"
	N.A.	36"
	53-200862-006	N.A. 48"
	N.A.	72"
	53-200862-008	N.A. 96"
	N.A.	73"
5.	53-860247-000	Adaptor Kit for AMF 8270 Pinspotter to Action Set Masking Unit
6.	11-680204-000	N.A. Connector Housing
7.	11-680301-000	N.A. Terminal
	57-860031-00	R.O. Terminal - Female (Pkg. of 20)
8.	53-200777-000	Relay Chassis Action Set Assembly (AMF 8270)
9.	N.A.	Connector
10.	11-612652-000	N.A. Contact
11.	N.A.	Guide Pin
12.	N.A.	Guide Socket
13.	11-675523-000	Lamp (#68)
14.	N.A.	Solderless Connector
15.	N.A.	Action Set Cable Assy. (AMF 8270-SS)
16.	53-860248-000	Adaptor Kit for AMF 8270-SS Pinspotter to Action Set Masking Unit
17.	53-860246-000	N.A. Adaptor Kit for AMF 8230 Pinspotter to Action Set Masking Unit
18.	N.A.	Dbl. Tab Spade Adaptor
19.	11-612253-000	Faston Connector
20.	53-200896-000	N.A. Jumper (AMF 8230)

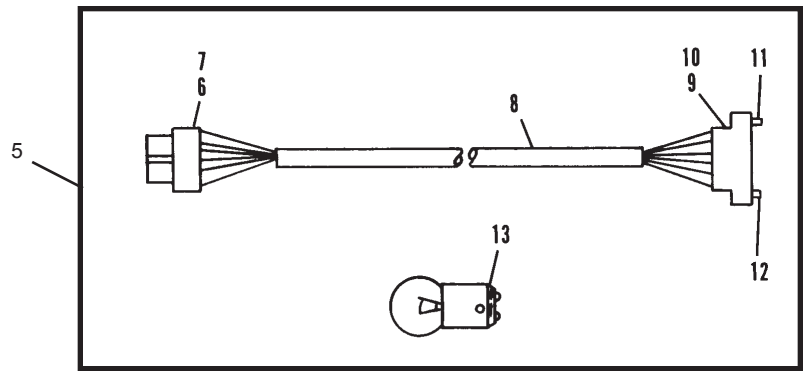
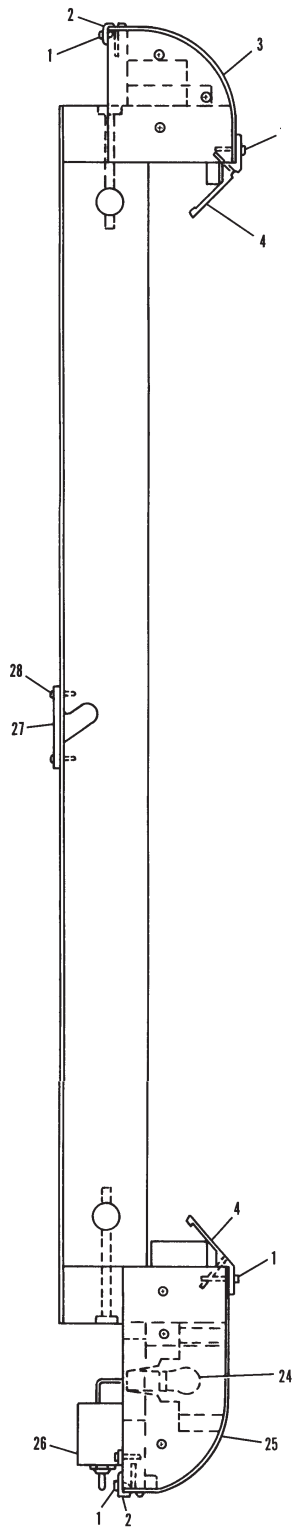
21. 53-200776-000 N.A. Action Set Cable Assy. (AMF 8230)

Index

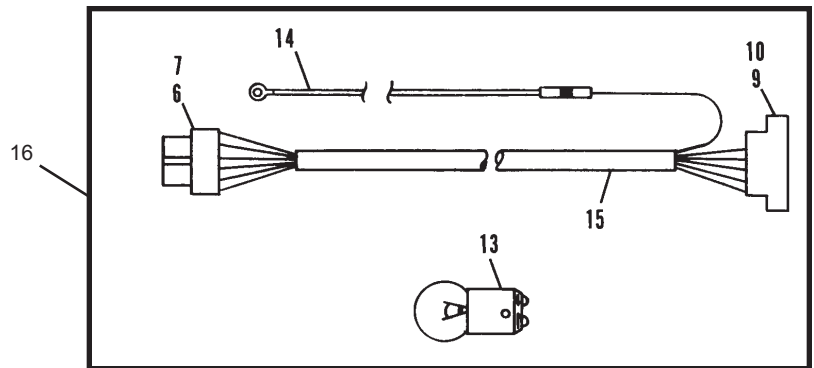
No.	Part No.	Description
<u>LANE NUMERALS (WHITE W/BLACK TRIM)</u>		
22.	53-300113-002	#2
	53-300113-003	#3
	53-300113-004	#4
	53-300113-005	#5
	53-300113-006	#6 or #9
	53-300113-007	#7
	53-300113-008	#8
	53-300113-009	#0
	53-300113-001	#1
<u>LANE NUMERALS (SOLID BLACK)</u>		
23.	53-300113-002	#2
	53-300113-003	#3
	53-300113-004	#4
	53-300113-005	#5
	53-300113-006	#6 or #9
	53-300113-007	#7
	53-300113-008	#8
	53-300113-009	#0
	53-300113-001	#1
24.	11-300113-000	N.A. Lamp (#624)
<u>LOWER FACE SHEET</u>		
25.	N.A.	12" x 12" Wide
	N.A.	24" x 12" Wide
	N.A.	36" x 12" Wide
	N.A.	48" x 12" Wide
	N.A.	72" x 12" Wide
	N.A.	96" x 12" Wide
	53-200853-000	133" x 12" ("Brunswick" and Lights)
	53-200853-002	N.A. 133" x 12" (w/ Crown)
	*53-201043-000	N.A. 133" x 12" (Plain)
26.	N.A.	Strike & Ball Light Harness
27.	N.A.	Retaining Strap
28.	N.A.	C.R. Truss Hd. Screw (#10-12 x 1")

N.A. = No Longer Available

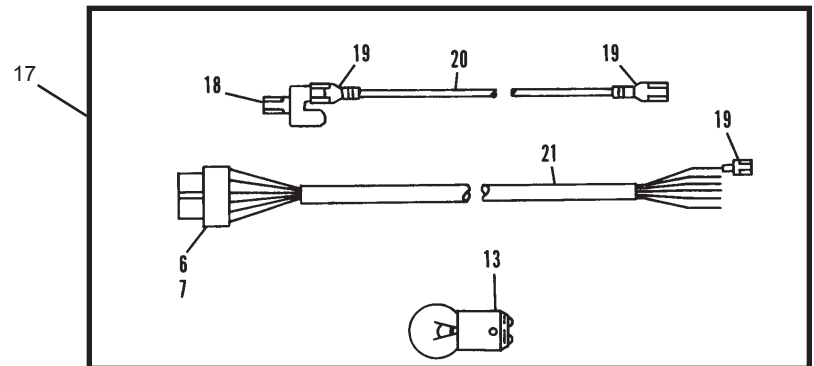
* Available as a private label. Call 1-800-YES-BOWL for Details.



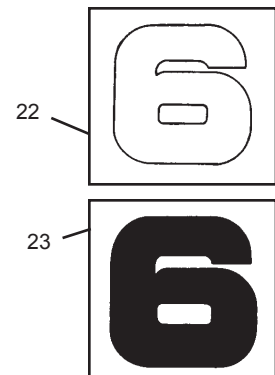
ADAPTER KIT FOR AMF 82-70 PINSPOTTER



ADAPTER KIT FOR AMF 82-70-SS PINSPOTTER



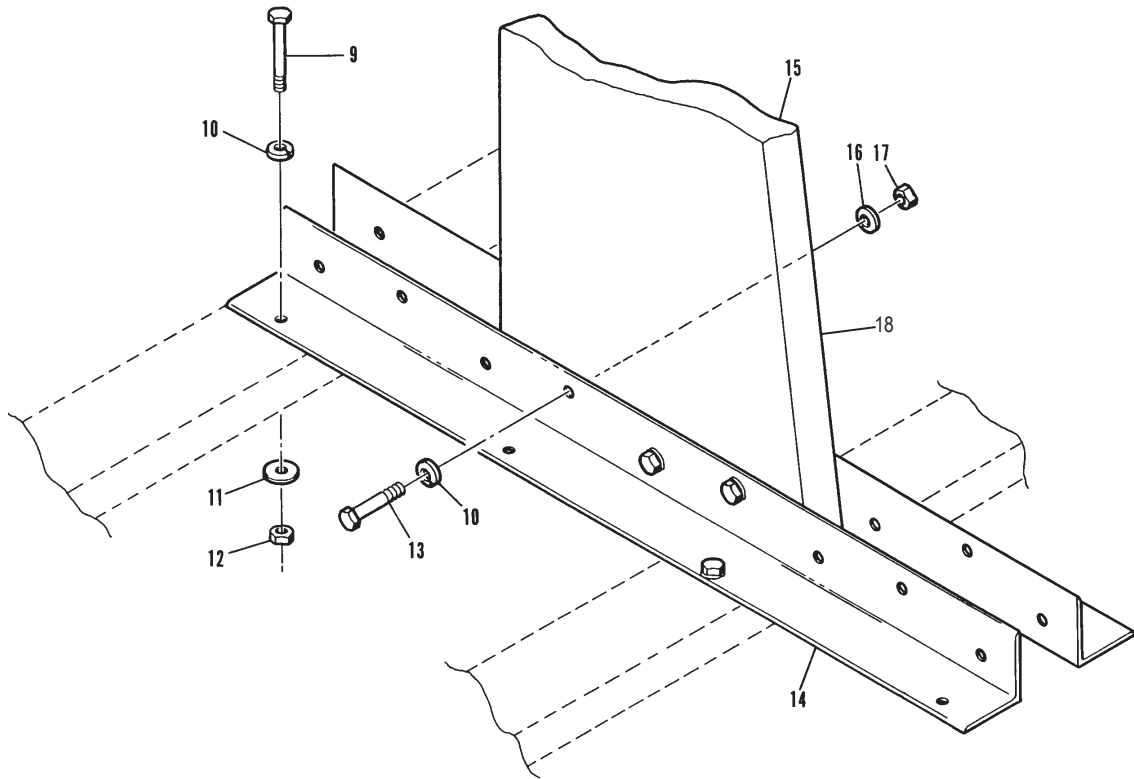
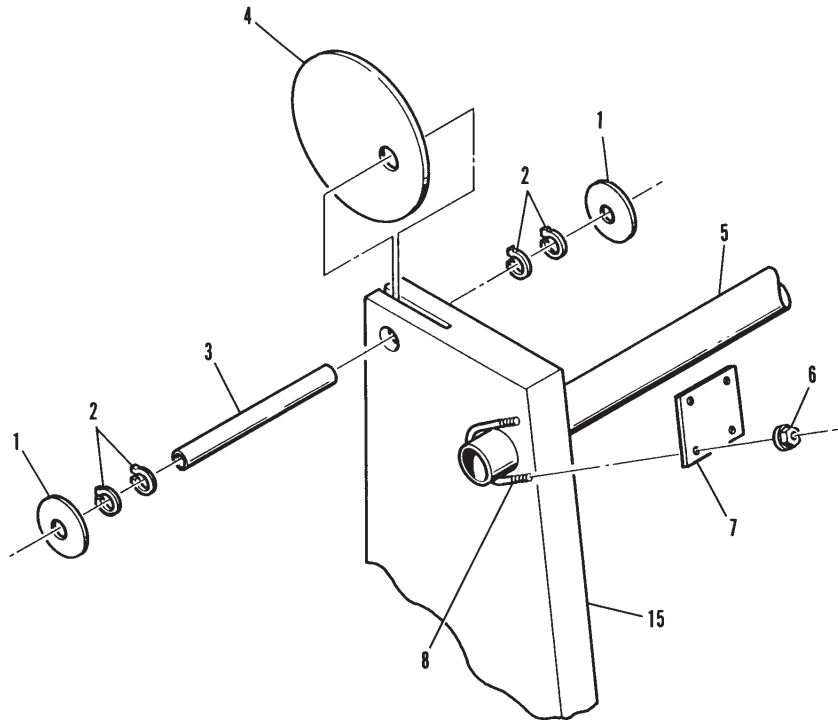
ADAPTER KIT FOR AMF 82-30 PINSPOTTER



Index

No.	Part No.		Description
1.	11-191024-001		Flat Washer (3/4)
2.	11-534521-000	N.A.	Retaining Ring (3/4)
3.	N.A.		Pivot Pin
4.	53-200919-000	N.A.	Graphic Panel Retainer
5.	53-200898-005		Pipe - 126" long
6.	11-176001-001		Hex Nut w/Lockwasher Assembly (5/16)
7.	53-200907-000	N.A.	Support Brace Plate
8.	53-200908-000	N.A.	Support Brace "U" Bolt
9.	11-001355-001		Hex Hd. Bolt (3/8-16 x 2-3/4")
10.	11-195016-001		Spring Lockwasher (3/8)
11.	11-190514-001		Flat Washer (13/32)
12.	11-125011-001		Hex Nut (3/8-16)
13.	11-001353-001		Hex Hd. Bolt (3/8-16 x 2-1/4")
14.	53-201004-000	N.A.	Support Angle
15.	53-201005-000	N.A.	Masking Unit Support
16.	11-190014-001		Flat Washer (3/8)
17.	11-125204-001		Hex Jam Nut (3/8-16)
18.	53-200922-000	N.A.	White Filler Strip

N.A. = No Longer Available



**B-2000 Action Set
Masking Unit Support Assembly**

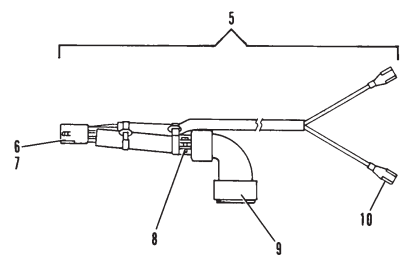
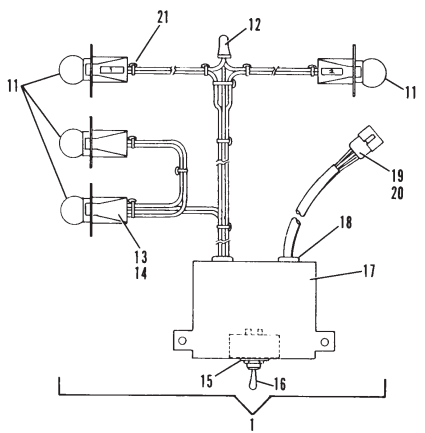
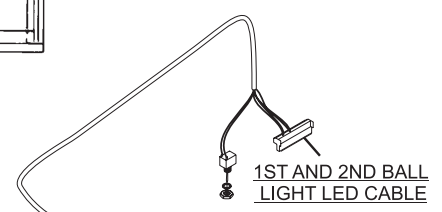
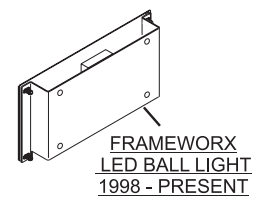
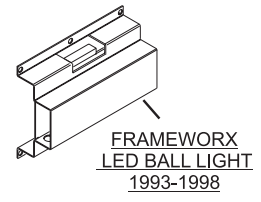
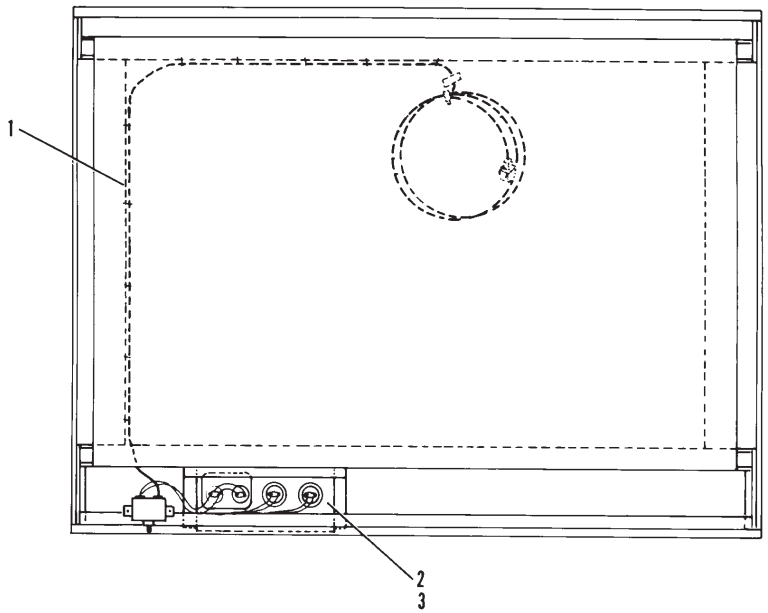
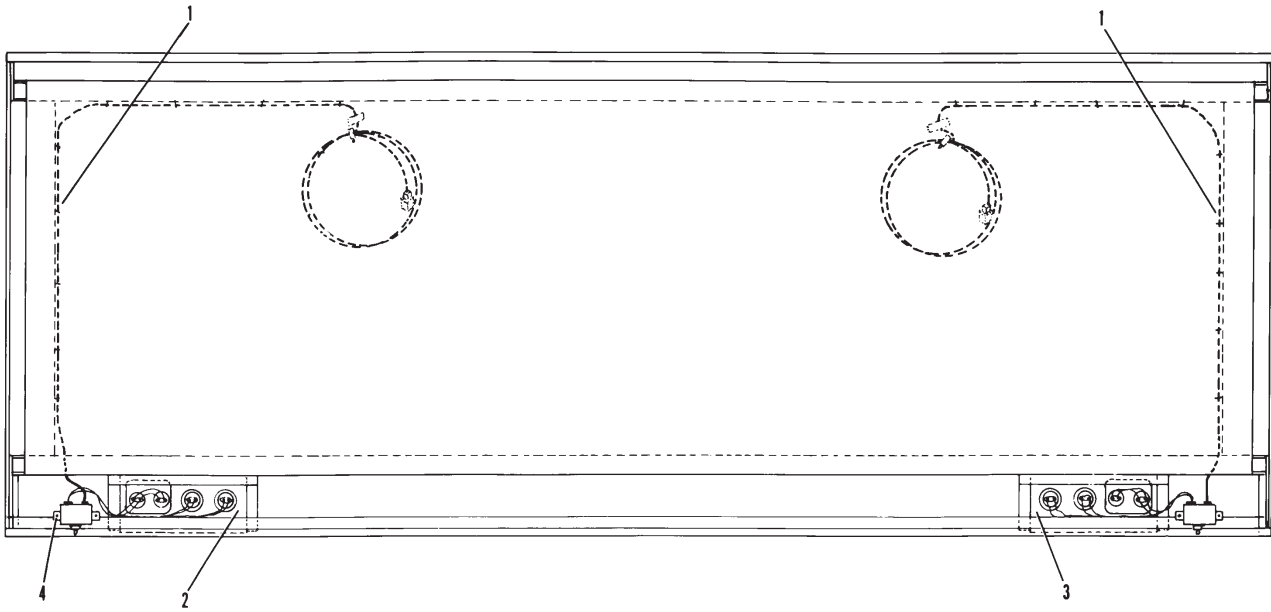
Index

No.	Part No.		Description
1.	53-200871-000		Strike and Ball Lights Harness Assembly
2.	53-200905-002	N.A.	R.H. Light Housing
3.	53-200905-003	N.A.	L.H. Light Housing
4.	11-082062-001	N.A.	Self Tapping C.R. Rd. Hd. Screw (#8 x 1/2")
5.	53-860586-000		Strike Harness Assembly (includes 2 each)
6.	11-680204-000	N.A.	Connector Housing (9 Contacts)
7.	11-680301-000	N.A.	Terminal
	57-860031-000	R.O.	Terminal - Female (Pkg. of 20)
8.	N.A.		Cable Clamp
9.	11-623002-000	N.A.	90° Angle Plug
10.	11-612253-000		Faston Connector
11.	11-675521-002		Lamp - #1692 (10 Pack)
	11-675582-000		Lamp - #624
	11-675523-000		Lamp #68 (for AMF Units Only)
12.	11-609502-000	N.A.	Wire Connector
13.	10-703501-000	N.A.	Socket Assembly
	*	R.O.	See Note
14.	11-612201-000	N.A.	Button Contact
15.	11-616601-000	N.A.	Indicating Plate
16.	11-615501-000		Toggle Switch
17.	N.A.		Switch Box Assembly
18.	N.A.		Strain Relief Bushing
19.	11-680104-000	N.A.	Connector Plug (9 Contacts)
20.	11-680302-000	N.A.	Terminal
	57-860032-000	R.O.	Terminal - Male (Pkg. of 10)
21.	11-603108-000	N.A.	Cable Tie (3-5/8")

N.A. = No Longer Available

** When originally replacing 10-703501-000 order: 53-861664-000 Pkg. Ball Light Assy LED 1998-PRESENT or 53-861665-000 Pkg. - Ball Light Assy, LED 1993-1998 also order 53-861666-000 Pkg. -Cable, 1st & 2nd Ball Light LED and 53-900217-000 Instructions 1st & 2nd Ball Light LED.*

Action Set Masking Unit



Action Set Masking Unit

Index

No.	Part No.		Description
1.	53-867900-999	S.O.	Lower Graphic Panel Single Sided
2.	53-863900-999	S.O.	Lower Graphic Panel Double Sided
3.	53-868900-999	S.O.	Upper Graphic Panel Single Sided
4.	53-865900-000	S.O.	Upper Graphic Panel Double Sided

S.O. = Special Order

NOTE: *Frameworkx Masking Units have now become Lanescape Masking Units. The above product numbers represent the new line. Graphics are available in over 150 designs and are viewable online at www.brunswickbowling.com. The previous Action Set Making Units are no longer available and Lanescape should be used as a replacement option. All Panels are special order.*

N.A.

Frameworkx Masking Unit Graphics

Intentionally Blank Page

N.A.

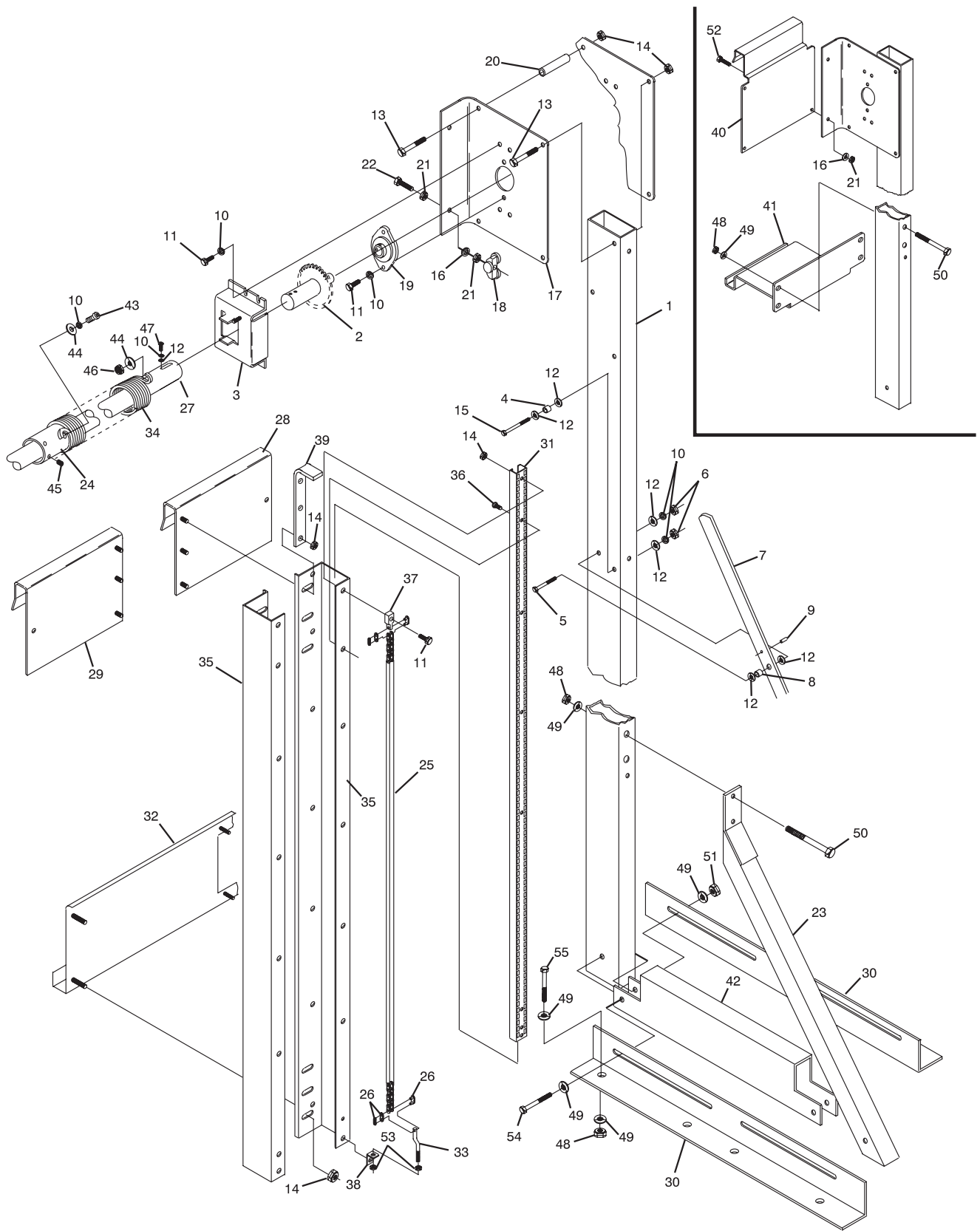
Frameworkx Masking Unit Graphics

Index

No.	Part No.	Description
1.	53-300010-000	Upright
2.	N.A.	Shaft & Sprocket Assembly
3.	N.A.	Spring Anchor
4.	53-300076-000	N.A. Latch Spacer
5.	11-001193-001	Hex. Hd. Cap Screw (1/4-20 x 2-1/4")
6.	11-125007-001	Hex Nut (1/4-20)
7.	53-300074-000	Latch
8.	53-300075-000	Latch Spacer
9.	11-345306-000	Roll Pin (3-16 x 5/8")
10.	11-195014-001	Lockwasher (1/4)
11.	11-001182-001	Hex. Hd. Screw (1/4-20 x 3/4")
12.	11-190010-001	Flat Washer (1/4)
13.	11-001192-001	Hex. Hd. Cap Screw (1/4-20 x 2")
14.	11-176000-001	Keps Nut (1/4-20)
15.	11-001194-001	Hex. Hd. Cap Screw (1/4-20 x 2-1/2")
16.	11-195012-001	Lockwasher (#12)
17.	53-300187-000	N.A. Roller Plate
18.	N.A.	Roller
19.	53-300063-000	Flange Bearing
20.	53-300069-000	N.A. Roller Plate Spacer
21.	11-125006-001	Hex Nut (#12-24)
22.	11-010122-001	Hex Hd. Cap Screw (#12-24 x 1-1/2")
23.	53-300013-000	Angle Support Brace
24.	53-300032-000	Spring Collar
25.	53-300038-000	Chain
26.	N.A.	Connecting Link Assembly
27.	53-300046-000	N.A. Shaft
	53-300110-000	N.A. Shaft Single Lane
28.	53-300071-000	R.H. Top Graphics Clamp
29.	53-300070-000	N.A. L.H. Top Graphics Clamp
30.	53-300066-000	N.A. Base Angle
31.	N.A.	Track
32.	53-300057-000	N.A. Lower Graphics Support (131.50")
	53-300109-000	N.A. Lower Graphics Support Single Lane (70.75")
33.	53-300055-000	N.A. Chain Adjusting Link
34.	53-300079-000	Torsion Spring
35.	53-300082-000	N.A. Graphics Brace
36.	N.A.	Hex Socket Button Hd. Screw (#8-32-18 x 1/8")
37.	53-300085-000	N.A. Upper Chain Anchor
38.	53-300086-000	N.A. Lower Chain Anchor
39.	53-300090-000	Stop
40.	53-300102-000	Filler Panel Upper Clamp
41.	53-300100-000	N.A. Filler Panel Lower Clamp
42.	53-300080-000	N.A. Filler
43.	11-005178-001	Socket Hd. Cap Screw (1/4-20 x 1/2")
44.	11-191011-001	N.A. Flat Washer (1/4)
45.	11-101160-000	Socket Hd. Set Screw (1/4-20 x 1/4")
46.	11-170007-001	Lock Nut (1/4-20)
47.	11-006178-000	N.A. Hex Socket Button Hd. Cap Screw (1/4-20 x 1/4")
48.	11-170011-001	Hex Nut Nylok (3/8-16)
49.	11-191014-001	Flat Washer (3/8)
50.	11-001359-001	Hex Hd. Cap Screw (3/8-16 x 3-3/4")
51.	11-170110-001	Thin Lock Nut (3/8-16)
52.	11-010177-000	N.A. Slotted Hex Hd. Machine Screw (#12-24 x 3/4")
53.	11-125200-001	Jam Nut (1/4-20)
54.	11-001354-001	Hex Hd. Cap Screw (3/8-16 x 2-1/2")
55.	11-001355-001	Hex Hd. Cap Screw (3/8-16 x 2-3/4")

N.A. = No Longer Available

Frameworkx Lower Masking Unit



Frameworx Lower Masking Unit

Index

No.	Part No.		Description
1.	53-300362-000	N.A.	Lens (Red)
	53-300388-000	R.O.	LED Ball Light Lens (Red)- 1998-Present
2.	53-300072-000		Grommet
3.	53-300091-000		Lamp Housing
4.	53-300092-000	N.A.	Baffle
5.	53-300100-000	N.A.	Ball Light Assembly (Index nos. 3,4,7,9 & 10)
	53-861665-000	R.O.	Pkg. LED Ball Light Assembly (1993-1998) - also order: 53-300054-000 Lens, 53-861666-000 1st & 2nd Ball Light LED and 53-900217-000 Instructions 1st & 2nd Ball Light LED.

LANE NUMERALS (DIE CUT WHITE)

6.	53-300103-000	N.A.	Lane Numerals (0-9)
	53-300113-001		#1
	53-300113-002		#2
	53-300113-003		#3
	53-300113-004		#4
	53-300113-005		#5
	53-300113-006		#6 or #9
	53-300113-007		#7
	53-300113-008		#8
	53-300113-010	N.A.	#0
7.	11-615501-000		Toggle Switch
8.	11-176000-001		Keps Nut (1/4-20)
9.	11-675582-000		Lamp #624
10.	10-703501-000	N.A.	Lamp Socket Assembly w/Wire
	**	R.O.	See Note

AMF ADAPTER KITS

*53-860247-000	Pkg. Masking Unit Adapter Kit - (SS) 8270
*53-860248-000	Pkg. Adapter Kit - 8270
*53-860249-000	Pkg. Masking Unit Adapter Kit - (MP) 8270 MP w/Round Plug
*11-675523-000	Lamp - AMF 13.5V

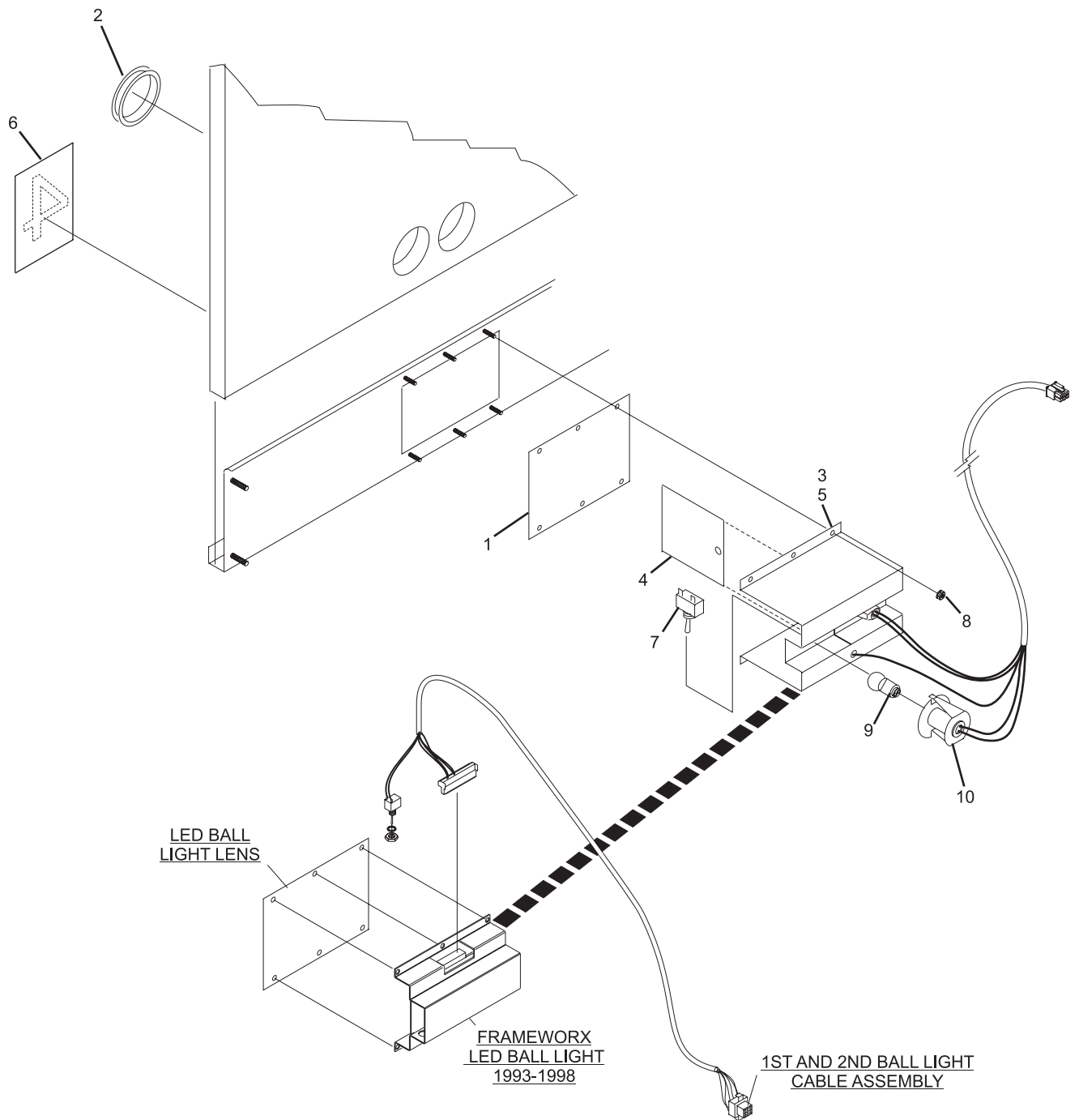
* = *Not Illustrated*

** *When originally replacing 10-703501-000 order: 53-861665-000 Pkg. Ball Light Assy LED 1993-1998, 53-300054-000 Lens, 53-861666-000 Pkg. - Cable, 1st & 2nd Ball Light LED and 53-900217-000 Instructions 1st & 2nd Ball Light LED.*

N.A. = No Longer Available

R.O. = Replacement Option

Frameworkx Ball Light Assembly



Framework Ball Light Assembly

Index

No.	Part No.		Description
1.	53-300115-000	N.A.	Extension
2.	53-300023-000	N.A.	Horizontal Extension
3.	53-300025-000	N.A.	Upper Graphic Arm #1
4.	53-300025-001	N.A.	Upper Graphic Arm #2
5.	53-300025-002		Upper Graphic Arm #3 (24")
6.	53-300025-003		Upper Graphic Arm #4 (36")
7.	53-300030-000		Corner Brace Upper Graphics
8.	53-300093-000	N.A.	Cross Brace Support
9.	53-300096-000	N.A.	Upper Graphic Side Wall Assembly - Left Hand
10.	53-300097-000	N.A.	Upper Graphic Side Wall Assembly - Right Hand
11.	53-300099-000		Cross Brace End Support
12.	53-300104-000	N.A.	Cross Brace Horizontal Extension
13.	11-604200-000	N.A.	Wire Rope Clip Assembly (1/8")
14.	11-082564-001	N.A.	C.R. Pan Hd. Tapping Screw (#10 x1")
15.	11-112060-000		E-Z Anchor
16.	53-300108-000	N.A.	Vertical Extension Cross Brace
17.	53-300078-000	N.A.	Cross Brace
18.	N.A.		Cable (30')
19.	11-001397-001		Hex Hd. Cap Screw (3/8-16 x5")
20.	11-191014-001		Flat Washer (3/8)
21.	11-170110-001		Thin Lock Nut (3/8-16)
22.	11-001178-001		Hex. Hd. Cap Screw (1/4-20 x 1/2")
23.	11-001193-001		Hex. Hd. Cap Screw (1/4-20 x 2-1/4")
24.	11-125007-001		Hex. Nut (1/4-20)
25.	11-195014-001		Lock Washer (1/4)
26.	11-191011-001	N.A.	Flat Washer (1/4)
27.	11-010907-001		Self Tapping HSMS (#14 x 3/4")
28.	11-001353-001		Hex. Hd. Cap Screw (3/8-16 x 2-1/4")
29.	11-001342-001		Hex. Hd. Cap Screw (3/8-16 x 3/4")
30.	11-170007-001		Lock Nut (1/4-20)
31.	11-170011-001		Lock Nut (3/8-16)

N.A. = No Longer Available

Frameworkx Upper Masking Unit

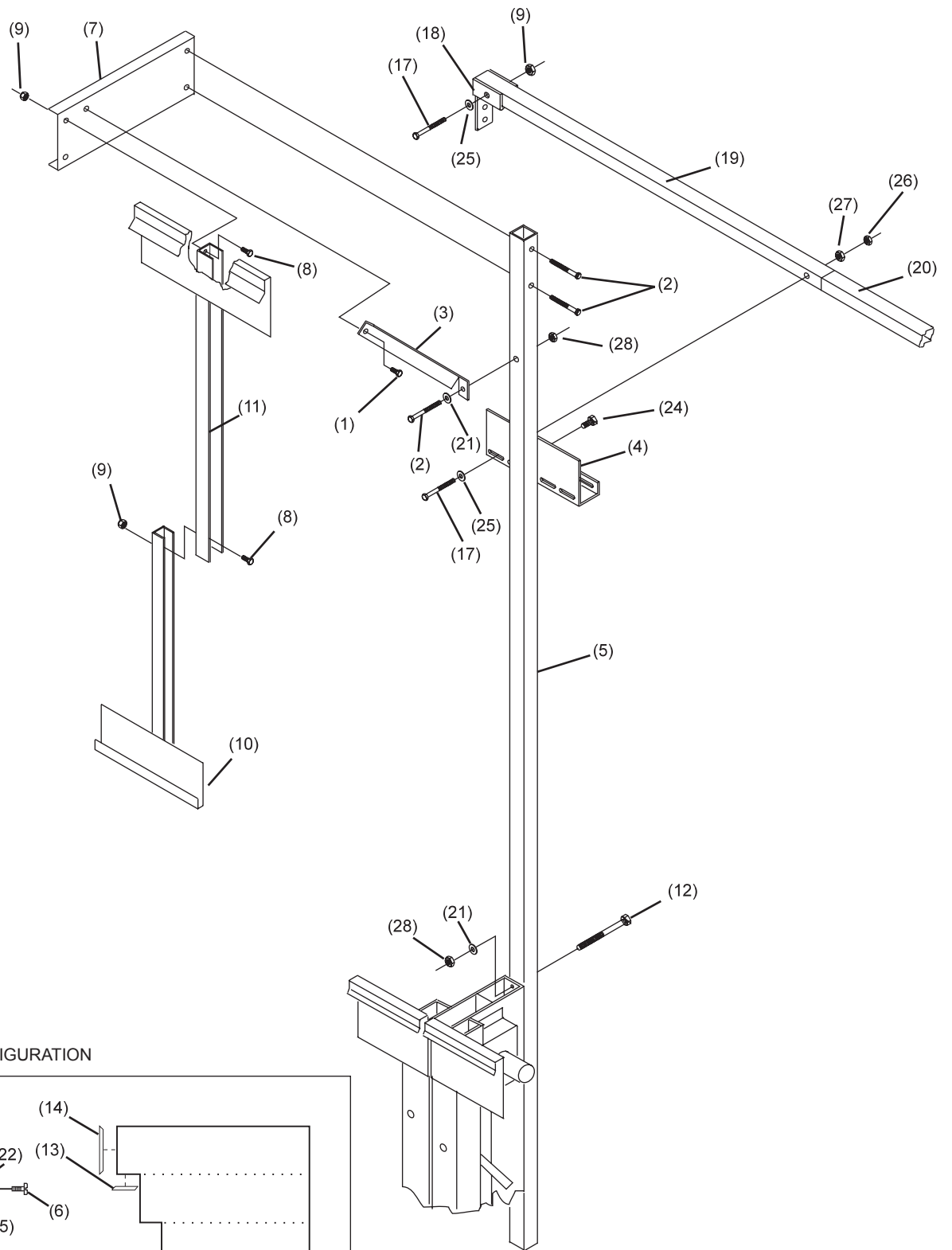
Index

No.	Part No.	Description
1.	11-001342-001	Hex. Hd. Cap Screw (3/8-16 x 3/4")
2.	11-001353-001	Hex. Hd. Cap Screw (3/8-16 x 2-1/4")
3.	53-300030-000	Corner Brace
4.	53-300093-000	N.A. Cross Brace Support
5.	53-300255-000	N.A. Vertical Extension
6.	11-082564-000	N.A. Pan Hd. C.R. Tapping Screw (#10 x 1")
7.	53-300256-000	N.A. Horizontal Extension
8.	11-001178-001	Hex. Hd. Cap Screw (1/4-20 x 1/2")
9.	11-170007-001	Locknut (1/4-20)
10.	53-300260-000	N.A. Lower Arm Weldment Assembly
11.	53-300259-000	N.A. Upper Arm Weldment Assembly
12.	11-001397-001	N.A. Hex Hd. Cap Screws (3/8-16 x 5")
13.	53-300277-000	N.A. Graphic U-Channel - Long
14.	53-300278-000	N.A. Graphic U-Channel - Short
15.	53-300271-000	N.A. Sidewall Bracket - Lower Left
	53-300273-000	N.A. Sidewall Bracket - Lower Right
16.	53-300272-000	N.A. Sidewall Bracket - Upper Left
	53-300274-000	N.A. Sidewall Bracket - Upper Right
17.	11-001193-001	Hex. Hd. Cap Screw (1/4-20 x 2-1/4")
18.	53-300099-000	Cross Brace End Bracket
19.	53-300104-000	N.A. Cross Brace Extension
20.	53-300078-000	N.A. Cross Brace
21.	11-191014-001	Flat Washer (3/8)
22.	11-112060-000	E-Z Wall Anchor
23.	*11-900075-000	N.A. Black Vinyl Tape (9/16" x 2-1/2" LG.)
24.	11-010907-001	Self-Tapping Screw (#14 x 3/4")
25.	11-190010-001	Flat Washer (1/4)
26.	11-125007-001	Hex. Nut 1/4-20
27.	11-195014-001	Lockwasher (1/4)
28.	11-125104-001	Locknut (3/8-16)

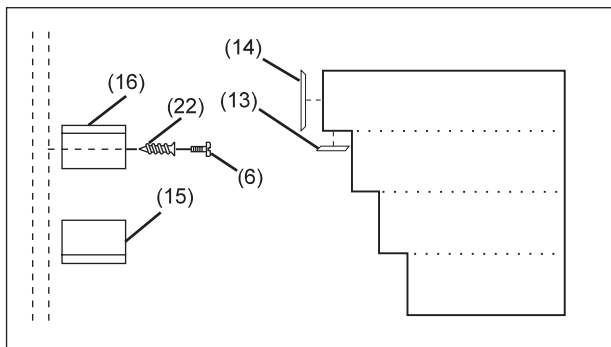
N.A. = No Longer Available

* Not Illustrated.

Frameworkx Masking Unit - One Panel Upper



SIDEWALL CONFIGURATION



Frameworx Masking Unit - One Panel Upper

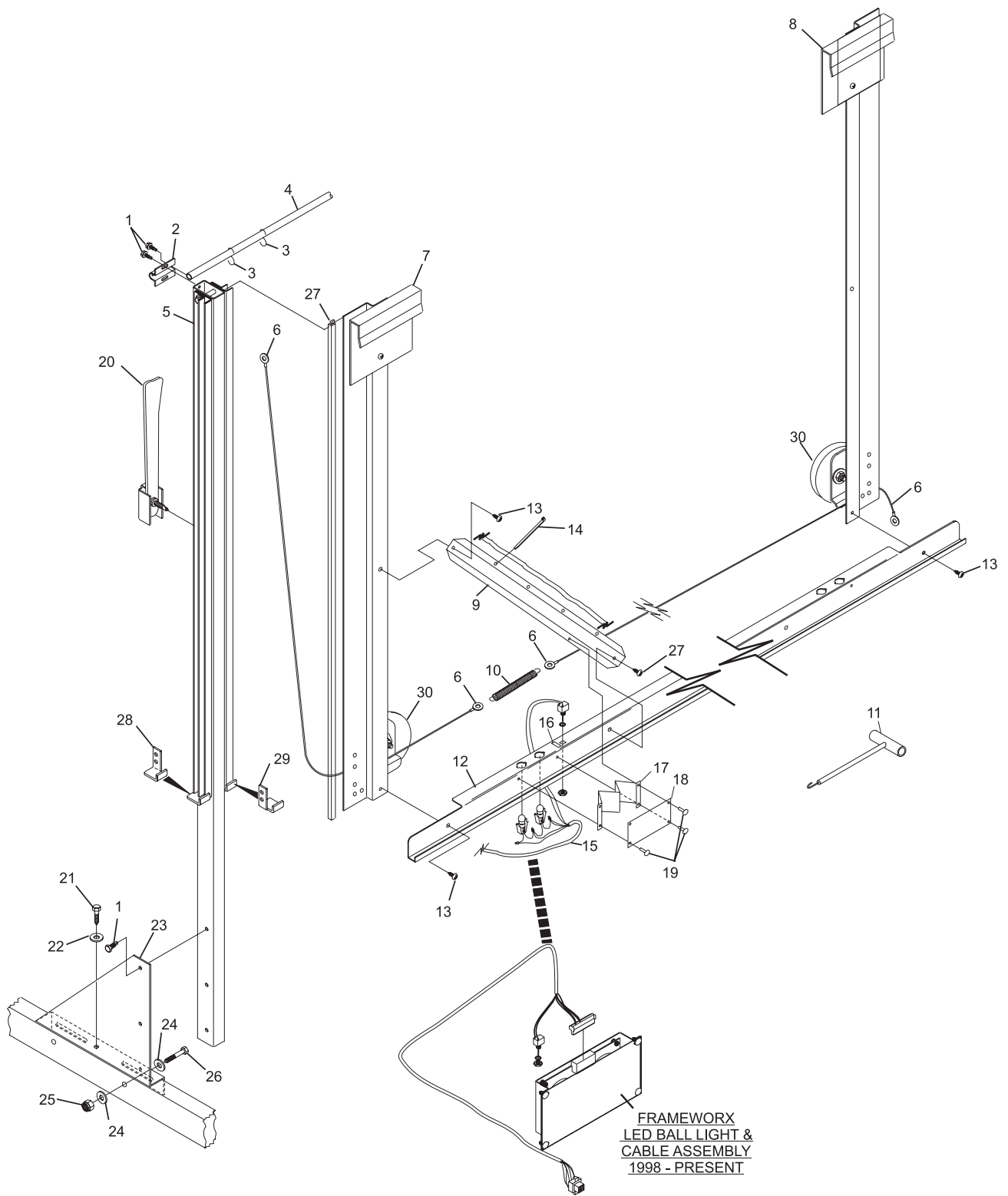
Index No.	Part No.		Description
1.	11-010812-001	N.A.	Hex Washer Head Self Drilling Screw (1/4-14 x 3/4")
2.	53-300337-000		Clamp
3.	11-045310-000		"S" Hook (2.38")
4.	53-300335-002	N.A.	Cross Lane Tube (2 lane)
	53-300334-001	N.A.	Cross Lane Tube (1 lane)
5.	53-300368-000		Lower Vertical Support Assembly
6.	*53-861094-000		Replacement Kit - Pulley Cables and Spring (2 lane)
	*53-861095-000		Replacement Kit - Pulley Cables and Spring (1 lane)
7.	53-300370-000		L.H. Z-Bar Assembly
8.	53-300369-000		R.H. Z-Bar Assembly
9.	53-300347-000		Brace
10.	*53-861096-000		Spring (Pkg. of 10) must order item 11 Spring Puller to install Springs
11.	11-112131-000		Spring Puller Tool
12.	53-300346-000		Cross Channel (1 lane)
	53-300327-000		Cross Channel (2 lane)
13.	11-006180-001		Button Head C.R. Screw (1/4-20 x 5/8")
14.	11-603108-000	N.A.	Cable Tie (3-5/8")
15.	53-861079-000	N.A.	First to Second Ball Light Cable Assembly
	**53-861664-000	R.O.	Pkg. LED Ball Light and Cable Assembly 1998-PRESENT
	**53-861666-000	R.O.	Pkg. LED 1st and 2nd Ball Light Cable Assembly
16.	53-300372-000	N.A.	ON/OFF Label
17.	53-300320-000		Light Shield
18.	53-300388-000		Lens (1998-PRESENT)
19.	53-300363-000		Tree Fasteners
20.	53-300373-000		Latch Assembly
21.	11-070545-001	N.A.	Lag Screw (5/16 x 2")
22.	11-191012-001		Flat Washer (5/16)
23.	53-300332-000	N.A.	Support Gusset
24.	11-190552-001	N.A.	Fender Washer (1-1/4 OD x 3/8 ID)
25.	11-170009-001		Hex Nut Nylock (5/16-18)
26.	11-001273-001		Screw (5/16-18 x 2-1/4")
27.	53-300356-000		Edge Guard (part of # 7/8 Z-Bar)
28.	53-300342-000		R.H. Bottom Stop
29.	53-300341-000		L.H. Bottom Stop
30.	53-861097-000		Cord Reel
31.	*53-860247-000		Masking Unit Adapter, AMF (ss) 8270 - Kit
32.	*53-860248-000		Adapter, AMF 8270 - Kit
33.	*53-860849-000		Masking Unit Adapter, (mp) 8270 MP w/Round Plug - Kit
34.	*11-675523-000		Lamp AMF (13.5V)

* = Not Illustrated

** When originally replacing 53-861079-000 order **53-861664-000** Pkg. LED Ball Light Assembly-1998 to Present, **53-861666-000** Pkg. LED 1st and 2nd Ball Light Cable Assembly and **53-900217-000** Installation Instructions Must replace both when replacing 53-861079-000.

N.A. = No Longer Available

Frameworkx Masking Unit



Frameworx Masking Unit

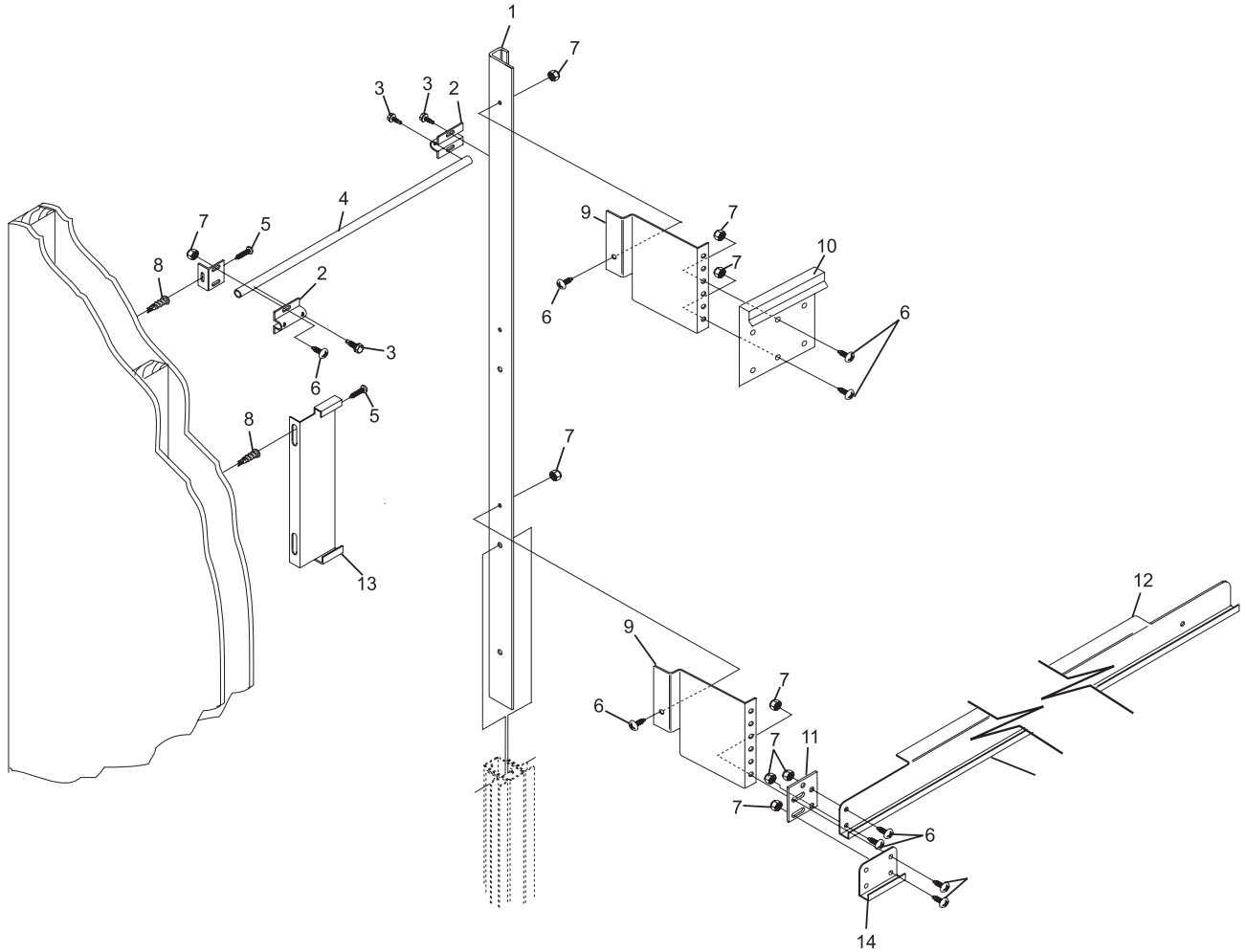
Index

No.	Part No.		Description
1.	53-300328-000		Upper Vertical Support
2.	N.A.		Clamp (order index number 15)
3.	11-010812-001	N.A.	Hex Washer Head Self Drilling Screw (1/4-14 x 3/4")
4.	N.A.		Cross Tube Support (order index number 15)
5.	11-082864-001	N.A.	Screw
6.	11-024288-001		Truss Head C.R. Screw (1/4-20 x 5/8")
7.	11-170007-001		Hex Nut Nylok (1/4-20)
8.	11-112060-000		EZ-Anchor (Wall Anchor)
9.	53-300330-000	N.A.	Upper Standoff
10.	53-300329-000	N.A.	Upper Graphic Holder
11.	53-300338-000	N.A.	Channel Adapter
12.	*53-300340-000	N.A.	Upper Graphic Channel (2 lane)
	*53-300348-000		Upper Graphic Channel (1 lane)
13.	N.A.		L.H. End Graphic Holder (order index number 15)
	N.A.		R.H. End Graphic Holder (order index number 15)
14.	N.A.		End Graphic Channel (order index number 15)
15.	*53-861084-000		10' End Support Kit

N.A. = No Longer Available

* Not Illustrated

Frameworkx Masking Unit



Frameworx Masking Unit

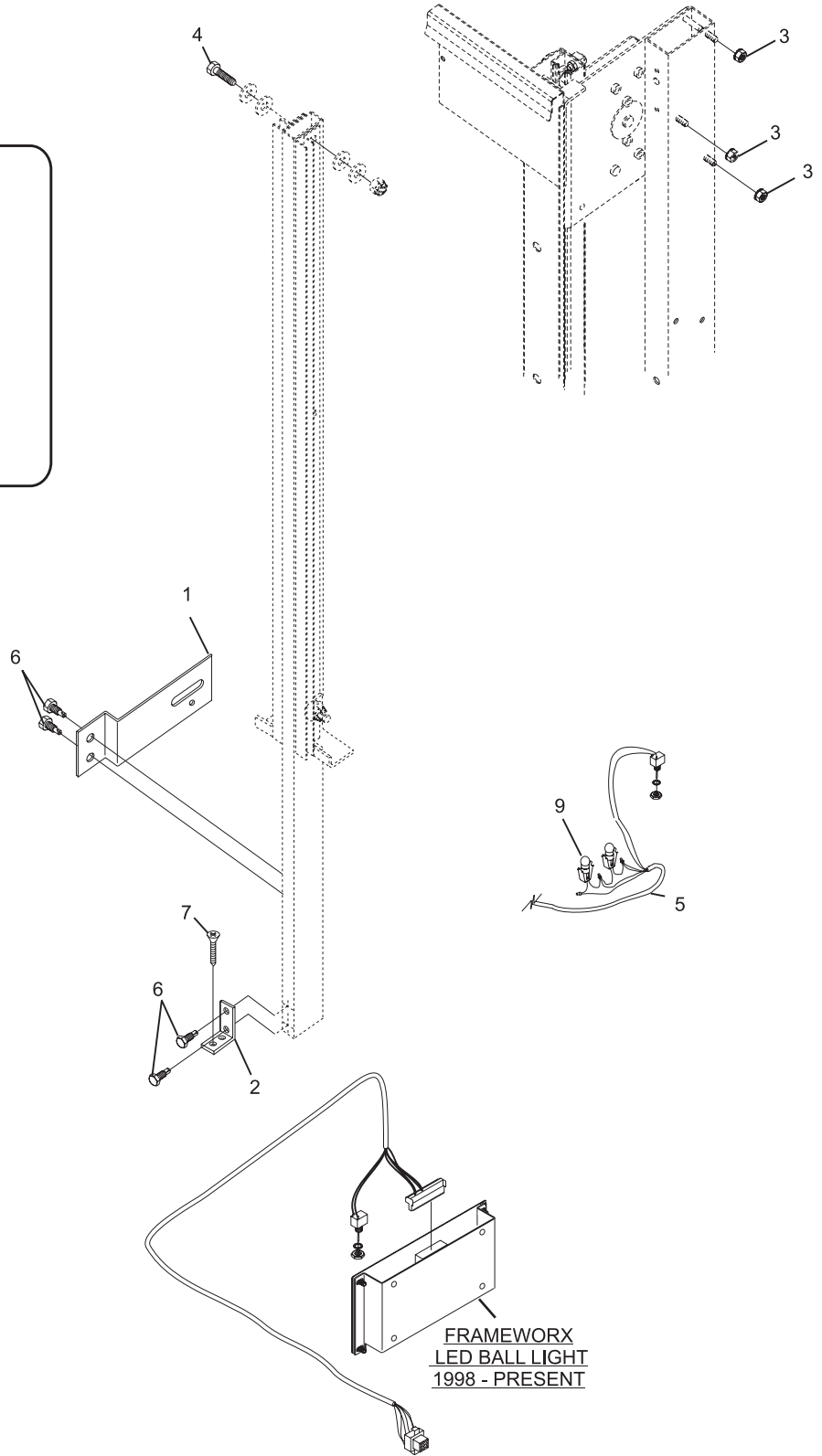
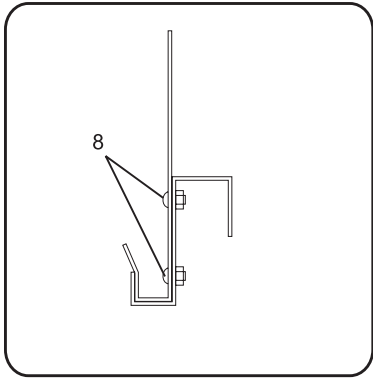
Index

No.	Part No.		Description
1.	53-300375-000		Bracket
2.	11-610700-000	N.A.	"L" Bracket (2" x 2")
3.	11-170007-001		Hex Nut Nylok (1/4-20)
4.	11-001184-001		Screw Hex Head (1/4-20 x 1")
5.	53-861079-000	N.A.	1st to 2nd Ball Light Cable Assembly
	*53-861666-000	R.O.	Pkg. LED 1st and 2nd Ball Light Cable Assembly
6.	11-010812-001	N.A.	Hex Washer Head Self Drilling Screw (1/4-14 x 3/4)
7.	11-040097-001	N.A.	Flat Head C.R. Screw (#10 x 1-1/2")
8.	11-024288-001		Truss Head Screw (1/4-20 x 5/8")
9.	11-675582-000		Lamp (#624)

N.A. = No Longer Available

* *When originally replacing 53-861079-000 order **53-861664-000** Pkg. LED Ball Light Assembly-1998 to Present, **53-861666-000** Pkg. LED 1st and 2nd Ball Light Cable Assembly and **53-900217-000** Installation Instructions Must replace both when replacing 53-861079-000.*

Framework Masking Unit Add-On Kit



Frameworkx Masking Unit Add-On Kit

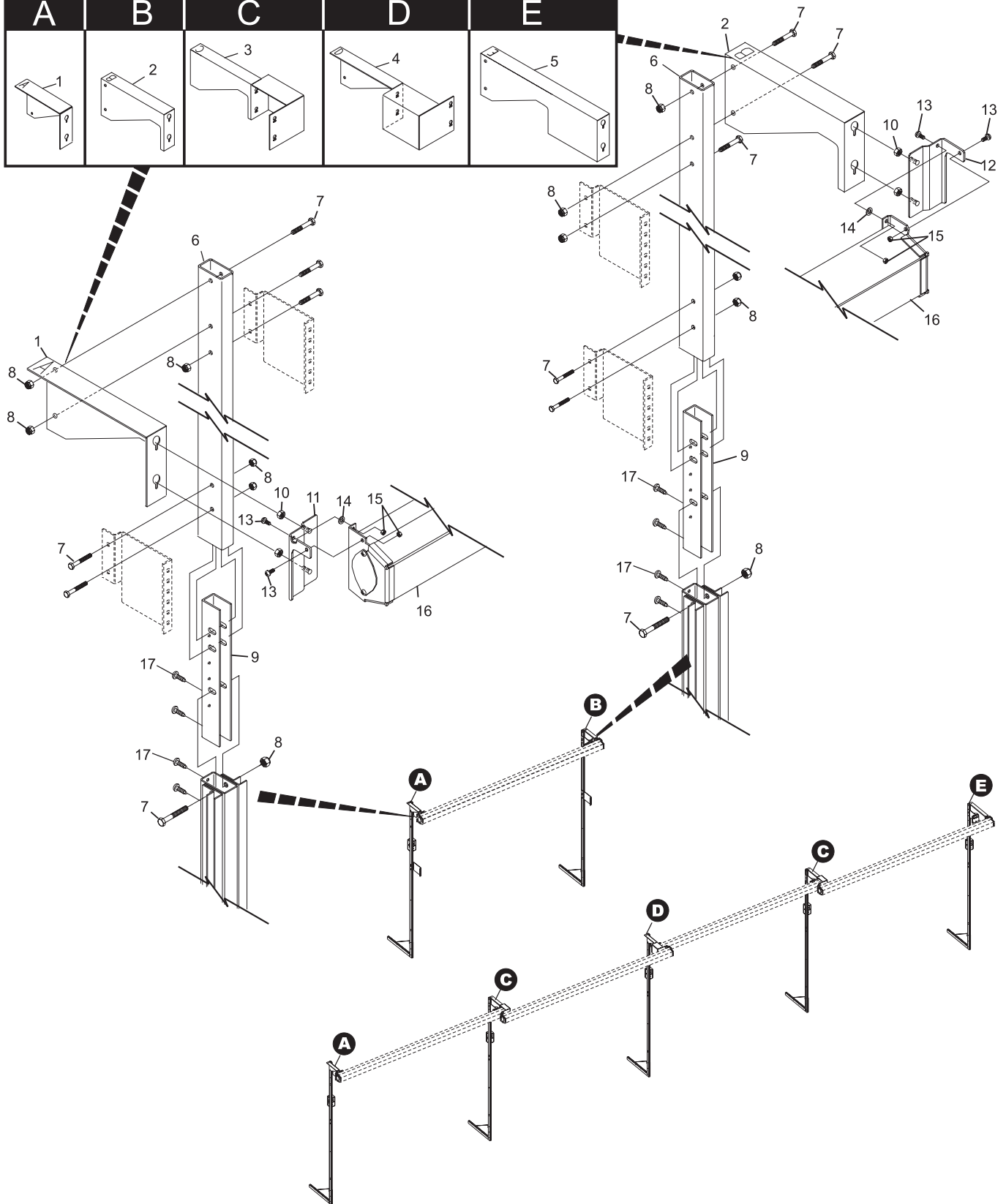
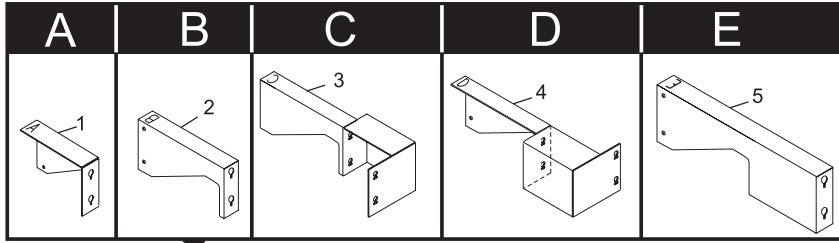
Index

No.	Part No.	Description
1.	53-300403-000	Projector Screen Bracket "A"
2.	53-300404-000	Projector Screen Bracket "B"
3.	53-300398-000	Projector Screen Bracket "C"
4.	53-300399-000	Projector Screen Bracket "D"
5.	53-300405-000	Projector Screen Bracket "E"
6.	53-300401-000	N.A. Upper Support
7.	11-024295-000	N.A. Screw Hex Head (1/4-20 x 1-3/4")
8.	11-170007-001	Hex Nut Nylok (1/4-20)
9.	53-300402-000	N.A. Insert Tube Support
10.	11-170052-001	N.A. Flange Nut (1/4-20)
11.	53-300394-000	N.A. L.H. Screen Mounting Bracket
12.	53-300393-000	N.A. R.H. Screen Mounting Bracket
13.	11-024289-001	N.A. Screw Pan Head (1/4-20 x 3/4")
14.	11-070052-001	N.A. Washer (1/4)
15.	11-170007-001	Locknut (1/4-20)
16.	53-862355-230	Projector Screen - 230V
	53-862355-115	Projector Screen - 115V
17.	11-010812-001	Hex Head Self Tapping Screw (1/4-14 x 3/4")

N.A. = No Longer Available

Masking Unit Projection Screen

PROJECTOR SCREEN BRACKETS



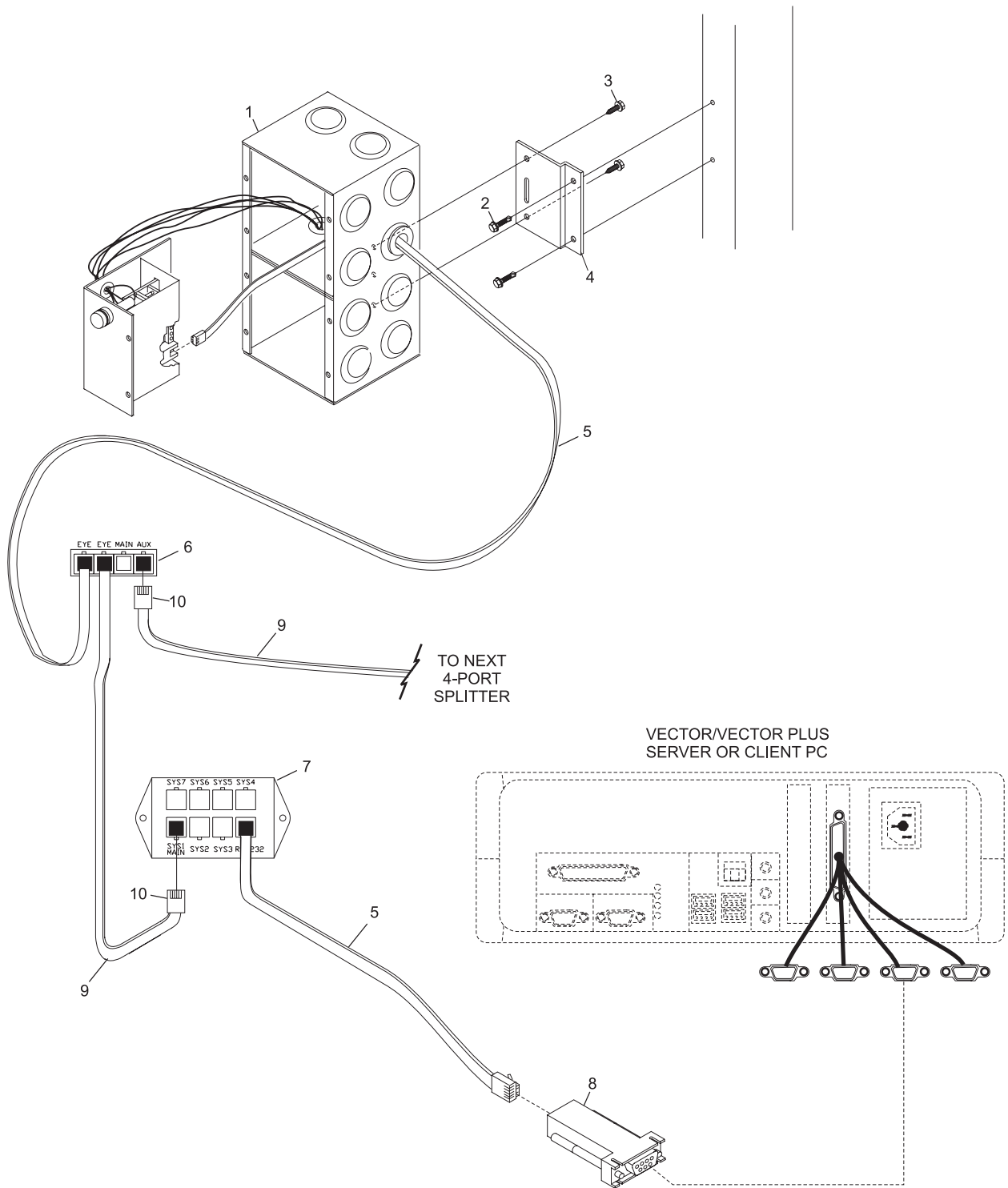
Masking Unit Projection Screen

Index

No.	Part No.		Description
1.	53-300408-115		Controller - 115VAC
	53-300408-230		Controller - 230VAC
2.	11-010812-001	N.A.	Self Tapping Screw (1/4-14 x 3/4")
3.	11-010817-001	N.A.	Screw (#10-16 x 1/2")
4.	53-300407-000	N.A.	Controller Mounting Bracket
5.	53-300406-000		Data Cable (60")
6.	53-300417-000		4-Port Splitter
7.	53-300411-000		8-Port Splitter
8.	53-300412-000		DB9/RJ-11 Adapter
9.	27-619066-000		Bulk Cable (Per Foot)
10.	53-862203-000		RJ-11 Connector Pkg. (3 Pieces)

N.A. = No Longer Available

Masking Unit Projection Screen Controller

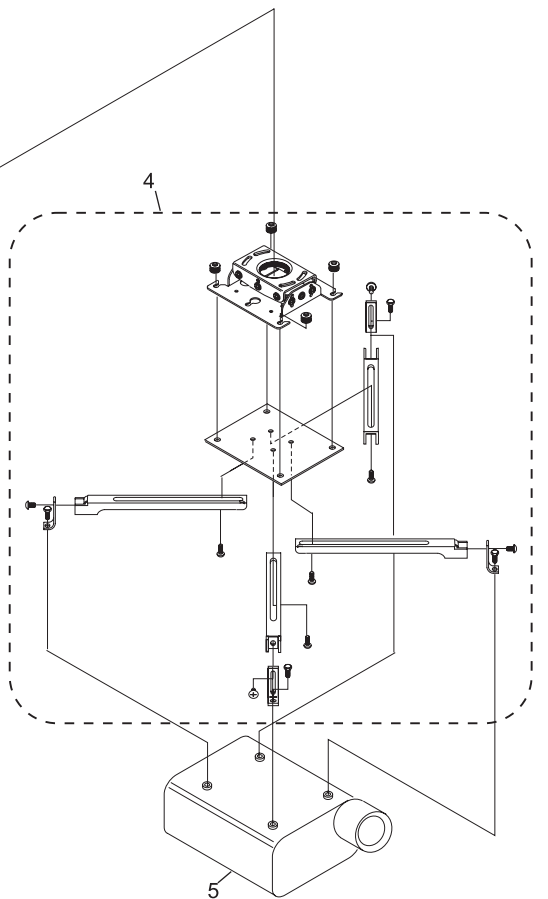
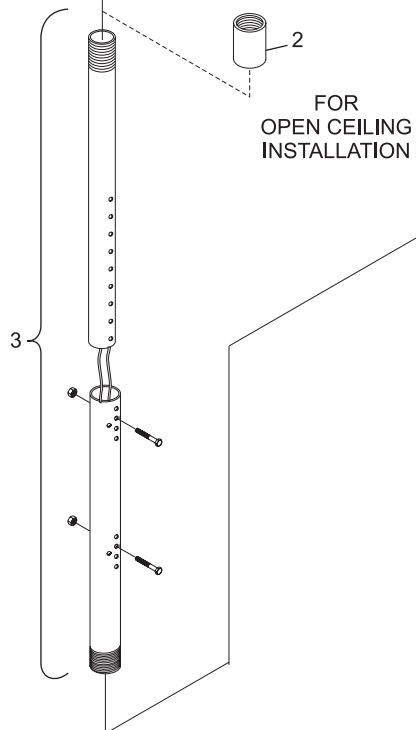
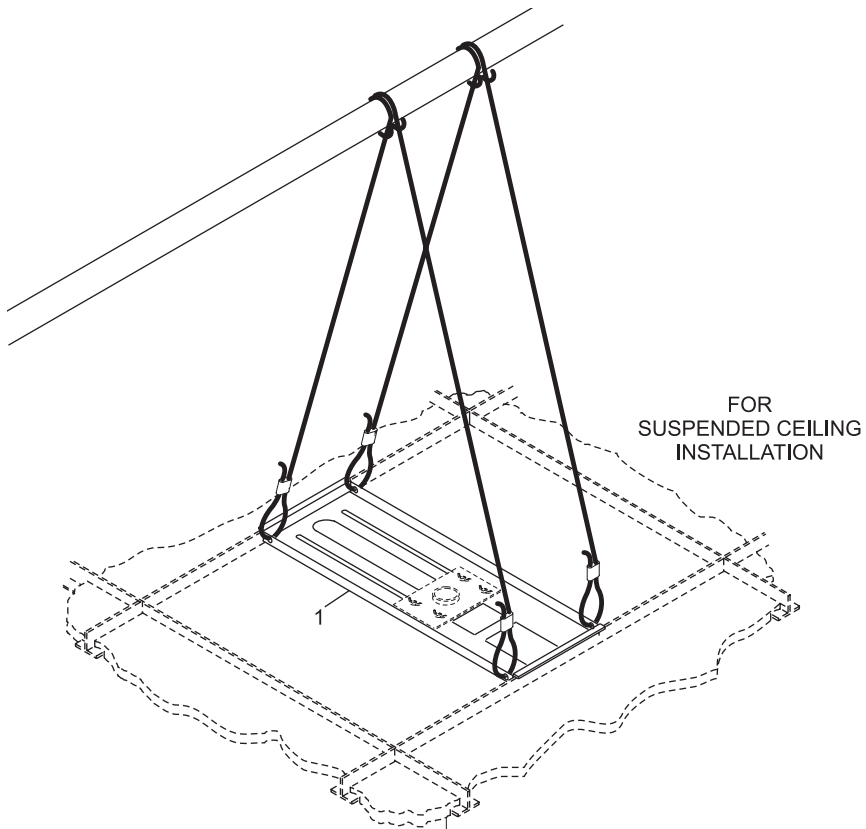


Masking Unit Projection Screen Controller

Index

No.	Part No.	Description
1.	53-862216-000	Suspended Ceiling Kit
2.	53-862299-000	Threaded Pipe Coupler - for open ceiling installations
3.	53-862379-000	Adjustable Column Tube
4.	53-862218-000	Projector Mount
5.	53-862376-000	N.A. Projector (TDP-TW355V)
	53-862592-000	R.O. Projector (TDP-TW420V)

N.A. = No Longer Available
R.O. = Replacement Option



Masking Unit Projector

Intentionally Blank Page

Section J

**RETURN TRACK
& DROP SWEEPS**

Index

No.	Part No.	Description
1.	11-176006-001	Keps Nut (10-24)
2.	N.A.	C.R. Rd. Hd. Machine Screw (10-24 x 3/8")
3.	11-190012-001	Flat Washer (5/16)
4.	11-176001-001	Keps Nut (5/16-18)
5.	19-204370-000	Transition Track w/Leather
6.	53-860802-000	N.A. GS Series Transition Track w/Transfer Track
7.	*19-204375-000	Leather Only
8.	19-204362-000	Polishing Retarder
9.	11-335155-000	N.A. Cotter Pin (3/32 x 3/4")
10.	N.A.	Retarder Frame Only
11.	53-520386-000	N.A. Attaching Yoke
12.	19-204350-000	Carpet w/Backing Plate
13.	19-204352-000	Carpet Only
14.	19-204356-000	N.A. Hanger Bracket (Retarder)
15.	N.A.	Track Support w/Vinyl (145") Pit End & Intermediate
16.	*53-520095-014	Vinyl Track (74")
17.	19-204207-000	Hanger Bracket
18.	11-015367-001	Sems Hex Hd. Machine Screw (5/16-18 x 3/4")
19.	N.A.	C.R. B. Hd. Machine Screw (8-32 x 3/8")
20.	11-198002-001	External Tooth Lockwasher (#8)
21.	53-520177-000	Hold Down Clamp
22.	53-520292-000	Tie Bracket
23.	N.A.	Staple (For Reset Cable)
24.	19-204229-000	Splice Clip
25.	19-204231-000	Nut Plate (5/16-18)
26.	N.A.	Staple
27.	19-204200-000	N.A. Track Support w/Vinyl (83") For Cluster Rack Only
28.	N.A.	Track Support w/Vinyl (145") Retarder End
29.	N.A.	Complete Set of Hardware for Access Door
30.	11-005266-001	Hex Socket Hd. Cap Screw (5/16-18 x 1-1/4")
31.	12-100344-002	Gasket
32.	N.A.	Weld Nut (5/16)
33.	11-125202-001	Hex Jam Nut (5/16-18)
34.	53-520198-000	N.A. Track Support w/Vinyl (10-3/4")
35.	N.A.	Cement (Quart) - Not Illustrated
36.	N.A.	Polishing Retarder Conversion Kit - Complete
37.	53-860453-000	Ball Wiper Cloth Only
38.	53-520385-000	N.A. Spring Rod
39.	53-520383-000	N.A. Spring Clip
40.	53-520382-000	N.A. Rod
41.	53-520384-000	Tension Spring
42.	11-261502-000	N.A. Copper Rivet w/Washer
43.	11-261501-000	Copper Rivet w/ Washer (.625 LG)
44.	19-204367-000	N.A. Leather Only
45.	19-204368-000	Leather Tab Only
46.	53-520405-000	Retarder Cloth

N.A. = No Longer Available

* Vinyl Track replacement. Cut to fit required length.

Subway Return Track

Index

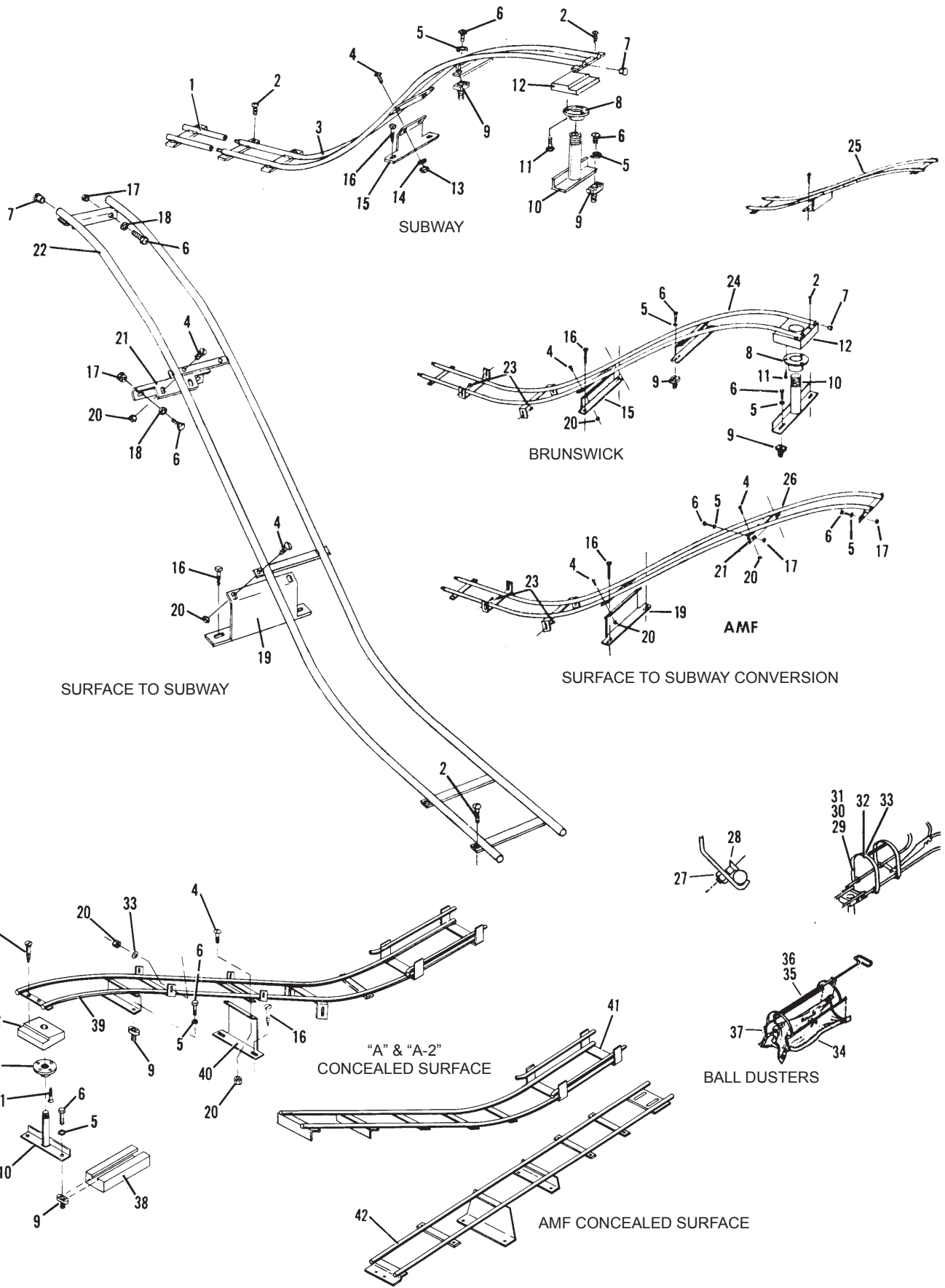
No.	Part No.		Description
1.	12-502445-000	N.A.	Dropsweep Extension
2.	11-042123-001	N.A.	Sltd. Rd. Hd. Wood Screw (#12 x 3/4")
3.	*N.A.		Dropsweep - See Note
4.	11-107147-001	N.A.	Sltd. Rd. Hd. Machine Screw (1/4-20 x 5/8")
5.	11-195015-001		Lockwasher (5/16)
6.	11-001264-001		Hex Hd. Cap Screw (5/16-18 x 1")
7.	N.A.		Plug (3/4)
8.	N.A.		Flange
9.	11-180003-001	N.A.	Clamp Nut (5/16-18)
10.	19-088437-000	N.A.	Support
11.	N.A.		Sltd. Flat Hd. Wood Screw (1/4 x 1-1/2")
12.	19-088440-000	N.A.	Block
13.	11-125007-001		Hex Nut (1/4-20)
14.	11-195014-001		Lockwasher (1/4)
15.	N.A.		Support Bracket
16.	N.A.		Hex Hd. Lag Screw (1/4 x 1-1/4)
17.	11-176001-001		Keps Nut (5/16-18)
18.	11-190012-001		Flat Washer (5/16)
19.	19-088338-000	N.A.	Support Bracket
20.	11-176000-001		Keps Nut (1/4-20)
21.	19-088341-000	N.A.	Attaching Bracket
22.	19-202698-000	N.A.	Dropsweep - AMF Surface to Subway Conversion
23.	11-001178-001		Hex Hd. Cap Screw (1/4-20 x 1/2")
24.	**19-202567-000	N.A.	Dropsweep - Pit End (See Note)
25.	N.A.		Dropsweep - Approach End
26.	N.A.		AMF Dropsweep - Pit End
27.	11-125104-001		Hex Nut (3/8-16)
28.	11-007346-001		Flat Socket Hd. Cap Screw (3/8-16 x 1-1/4")
29.	29-088559-000	N.A.	Frame Holder - Standard Automatic Pinsetter
30.	29-203256-000	N.A.	Frame Holder - Rear Wall Automatic Pinsetter
31.	12-502442-000		Frame Holder - Jet Back Equipped Pinsetter
32.	N.A.		Wing Bolt (1/4-20 x 1/2")
33.	11-190010-001		Flat Washer (1/4)
34.	61-860028-000		Apron (All Models)
35.	N.A.		Frame w/Short Handle - Rear Wall and Jet Back
36.	29-088557-000	N.A.	Frame w/Long Handle - Standard Pinsetter
37.	29-088568-000		Spring
38.	N.A.		Channel
39.	N.A.		Dropsweep Assembly
40.	53-520284-000	N.A.	Support Bracket
41.	N.A.		AMF Dropsweep Assembly
42.	N.A.		Approach Dropsweep

N.A. = No Longer Available

* Also used for Model A Pinsetter w/Ball Boosters to AMF Subway or Surface Track. See Adapters in A/P Catalog.

** This track must be cut off for use with Jet Back Conversion installations.

Dropsweep Assemblies & Ball Dusters



Dropsweep Assemblies & Ball Dusters

Index No.	Part No.		Description
1.	11-001263-001		Hex Hd. Cap Screw (5/16-18 x 7/8")
2.	11-190012-001		Flat Washer (5/16)
3.	11-001268-001		Hex Hd. Cap Screw (5/16-18 x 1-1/2")
4.	11-176001-001		Keps Nut (5/16-18)
5.	12-350118-005		Shim
6.	11-180003-001	N.A.	Clamp Nut (5/16-18)
7.	11-170009-001		Self Locking Nut (5/16-18)
8.	N.A.		Bracket
9.	11-125202-001		Hex Jam Nut (5/16-18)
10.	11-195015-001		Lockwasher (5/16)
11.	N.A.		Flat Washer
12.	10-675001-000		Rubber Mount
13.	11-190527-001		Flat Washer
14.	N.A.		Hex Hd. Lag Screw (5/16 x 1-1/2")
15.	N.A.		Bracket
16.	N.A.		Bracket
17.	11-043164-002	N.A.	C.R. Oval Hd. Wood Screw (#16 x 3")
	11-043164-001	R.O.	Wood Screw (#16 x 3")
18.	N.A.		Sltd. Flat Hd. Wood Screw (#14 x 2-1/2")
19.	19-204533-000	N.A.	Cover Support
20.	N.A.		Dropsweep Cover (Gray)
	N.A.		Dropsweep Cover ("2000" Brown)
21.	11-024288-001		C.R. T. Hd. Machine Screw (1/4-20 x 5/8")
22.	N.A.		Flat Hd. Wood Screw (#10 x 1-1/4")
23.	15-612306-000		C.R. Flat Hd. Machine Screw w/Nylok (1/4-20 x 1")
24.	N.A.		Cover Strip (Gray)
	53-520402-010		Cover Strip (Brown)
25.	11-179020-001		Grip Nut (1/4-20)
26.	*19-204225-000	N.A.	Cover Support
27.	N.A.		Bracket
28.	N.A.		Hex Hd. Lag Screw (3/8 x 3")
29.	11-190016-001		Flat Washer (7/16)
30.	19-204226-000	N.A.	Maple Shim
31.	N.A.		Concrete Fastener (3/8-16)
32.	N.A.		Dropsweep Support
33.	N.A.		Dropsweep
34.	11-001264-001		Hex Hd. Machine Screw (5/16-18 x 1")

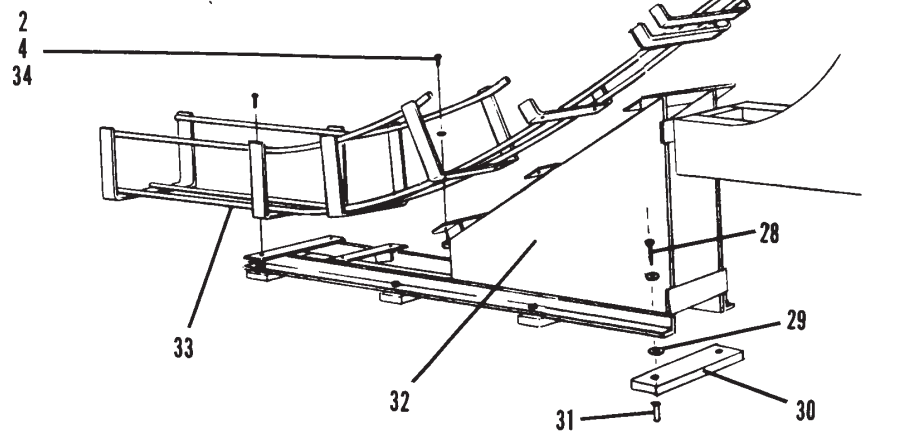
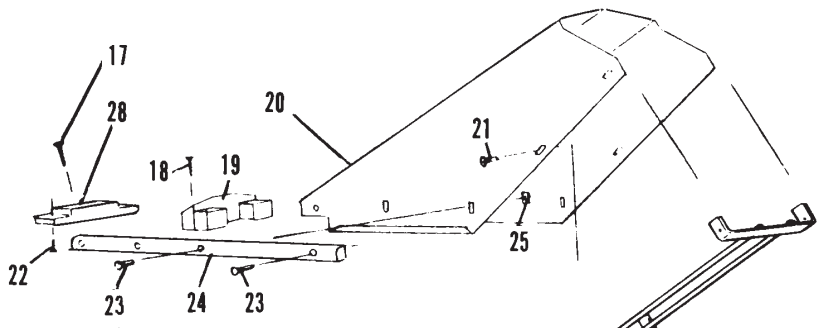
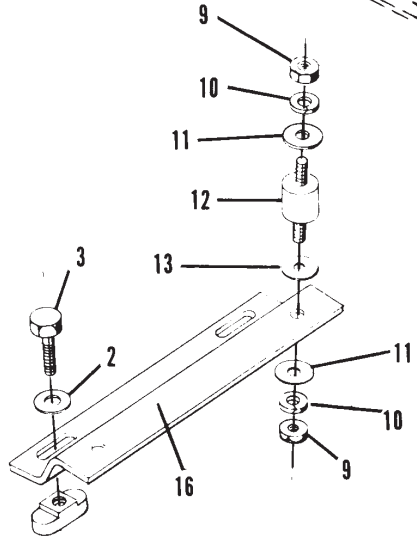
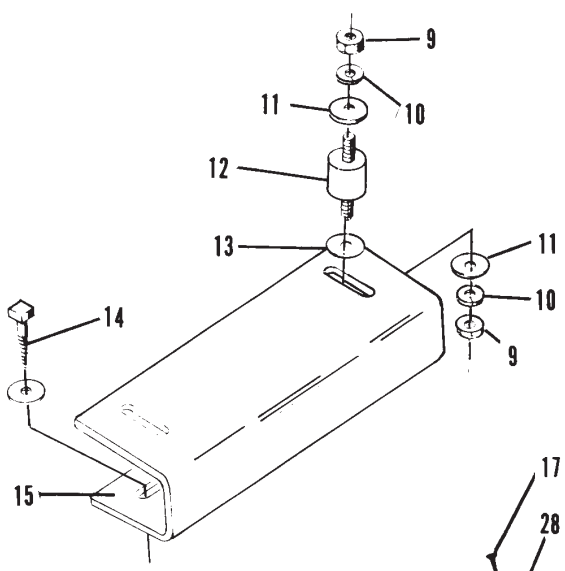
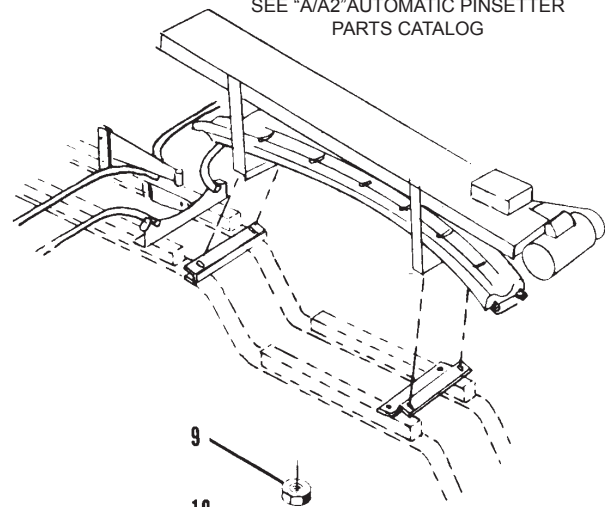
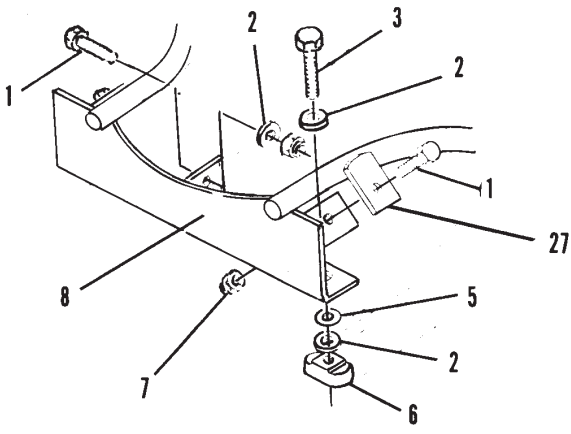
N.A. = No Longer Available

R.O. = Replacement Option

* Not Illustrated

Jet-Back Return Subway

FOR BALL ACCELERATOR
 PARTS BREAKDOWN
 SEE "A/A2" AUTOMATIC PINSETTER
 PARTS CATALOG



Jet-Back Return Subway

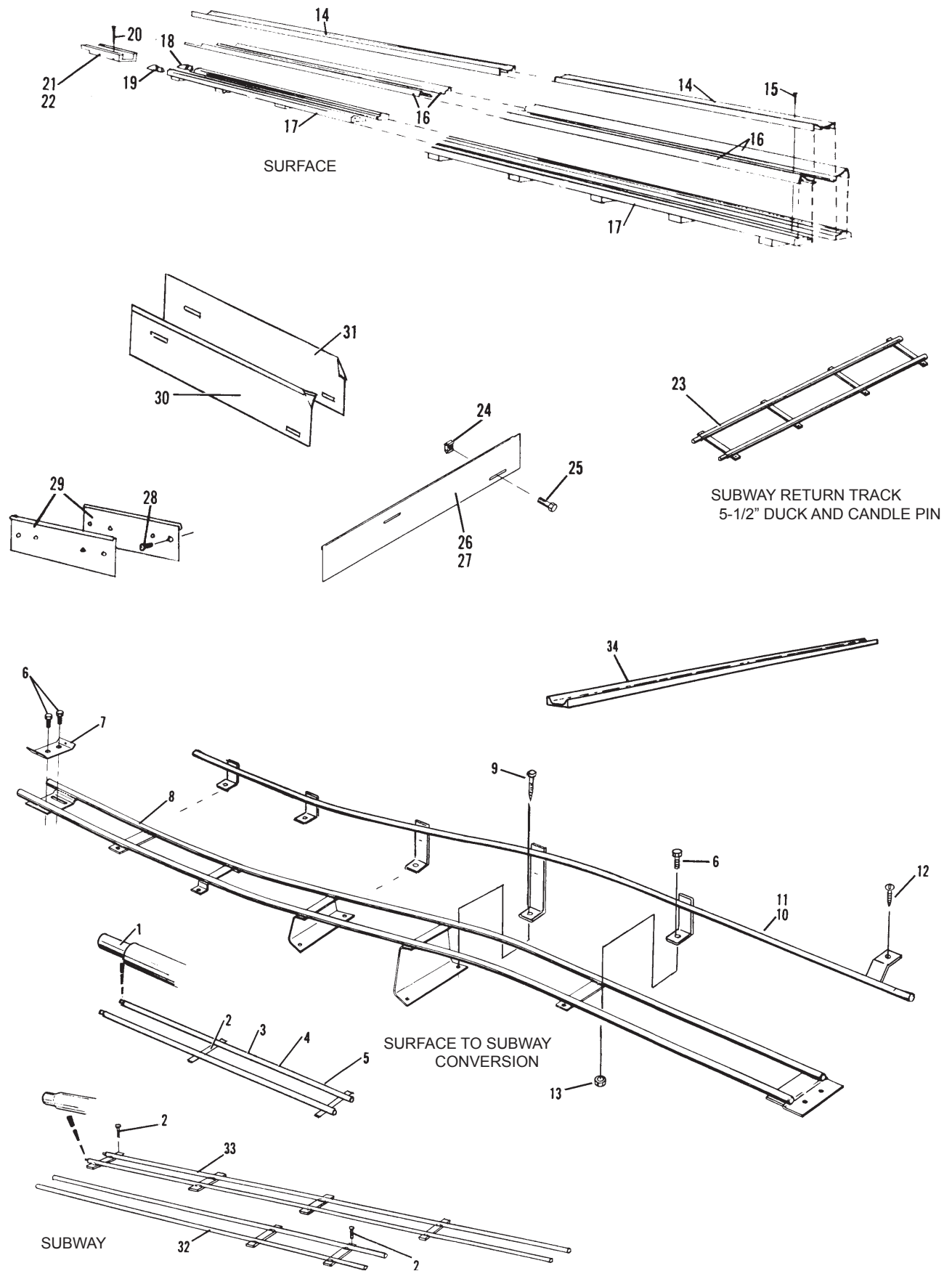
Index

No.	Part No.		Description
1.	19-201007-000		Plug Joint
2.	11-042123-001	N.A.	Slted. Rd. Hd. Wood Screw (#12 x 3/4")
3.	N.A.		Return Track - End and Intermediate (144")
4.	N.A.		Return Track - Approach End (82-1/2")
5.	N.A.		Return Track - Approach End (85")
6.	11-015367-001		Sems Hex Hd. Machine Screw (5/16-18 x 3/4")
7.	53-520177-000		Hold Down Clamp
8.	N.A.		Approach Dropsweep
9.	N.A.		Hex Hd. Lag Screw (5/16-18 x 1-1/2")
10.	19-204989-000	N.A.	L.H. Guide Rail Assembly - Shown
11.	19-204988-000	N.A.	R.H. Guide Rail Assembly - Shown
12.	N.A.		Self Tapping C.R. Rd. Hd. Screw (1/4 x 1")
13.	11-125102-001		Hex Nut (5/16-18)
14.	N.A.		Center Moulding
15.	N.A.		C.R. Flat Hd. Wood Screw (#14 x 1-1/4")
16.	N.A.		Plastic Track (2 Pieces 65-1/2")
17.	N.A.		Track Base (9-1/2 and 10-1/2)
18.	N.A.		L.H. Plug Block
19.	N.A.		R.H. Plug Block
20.	11-040157-001	N.A.	C.R. Flat Hd. Wood Screw (#14 x 1-1/2")
21.	N.A.		9-1/2 Support Block
22.	N.A.		10-1/2 Support Block
23.	53-520195-000	N.A.	Track Assembly (94-1/2")
24.	11-179020-001		Grip Nut (1/4-20)
25.	11-001178-001		Hex Hd. Cap Screw (1/4-20 x 1/2")
26.	N.A.		L.H. Side Panel (9-1/2 Return Only) - Shown
27.	N.A.		R.H. Side Panel (9-1/2 Return Only) - Opposite
28.	N.A.		Slted. Flat Hd. Wood Screw (#10 x 5/8")
29.	N.A.		Side Panel Plate
30.	N.A.		L.H. Side Panel
31.	N.A.		R.H. Side Panel
32.	19-088168-000	N.A.	Track Assembly (99")
33.	19-088167-000		Track Assembly (144")
34.	*19-203999-000	N.A.	Plastic Return Track - Subway

N.A. = No Longer Available

* Not Illustrated

Ball Return Track & Side Panels

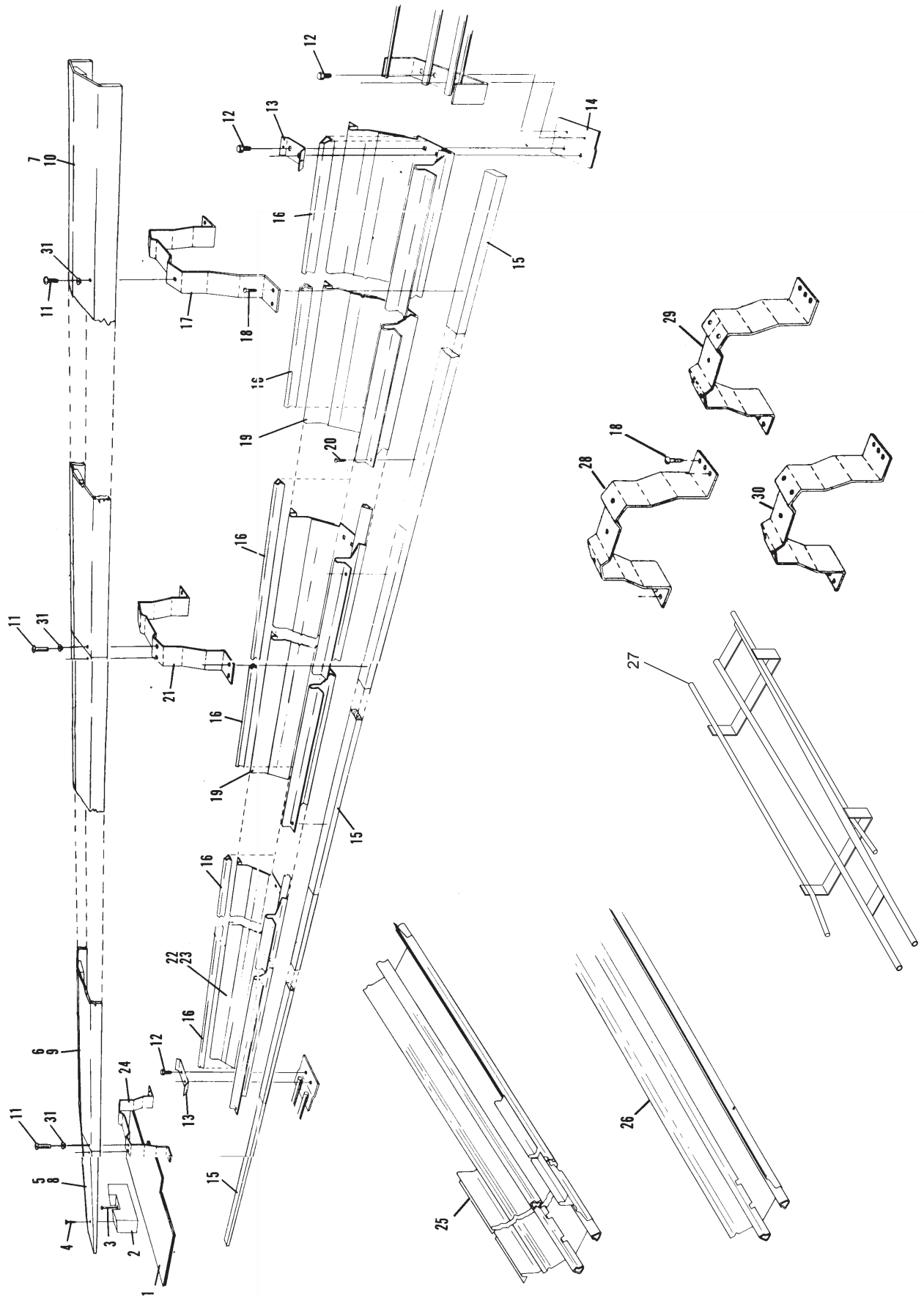


Ball Return Track & Side Panels

Index

No.	Part No.		Description
1.	N.A.		Support
2.	19-202527-000	N.A.	Support Block (3-3/16")
	N.A.		Support Block (2-7/16")
3.	N.A.		C.R. Flat Hd. Wood Screw (#14 x 2-1/2")
4.	N.A.		Self Tapping C.R. T. Hd. Screw (#14 x 1-1/4")
	N.A.		Self Tapping C.R. Flat Hd. Screw (1/4 x 1-1/4")
5.	N.A.		9-1/2 Approach Capping - Gray (26")
	N.A.		9-1/2 Approach Capping - Gray (31-3/4" No Taper)
6.	N.A.		9-1/2 Intermediate Capping - Gray (119")
7.	N.A.		9-1/2 Pit End Capping - Gray (26-3/4")
8.	N.A.		10-1/2 Approach Capping - Gray (26")
	N.A.		10-1/2 Approach Capping - Gray (31-3/4" No Taper)
9.	N.A.		10-1/2 Intermediate Capping - Gray (119")
10.	N.A.		10-1/2 Pit End Capping - Gray (26-3/4")
11.	11-024288-001		C.R. T. Hd. Machine Screw (1/4-20 x 5/8")
	N.A.		C.R. T. Hd. Machine Screw (1/4-20 x 1")
	N.A.		C.R. Flat Hd. Machine Screw (1/4-20 x 1")
12.	11-015367-001		Sems Hex Hd. Machine Screw (5/16-18 x 3/4")
13.	53-520177-000		Hold Down Clamp
14.	53-520292-000		Tie Bracket
15.	N.A.		Cleat
16.	53-520095-014		Vinyl Track (74")
17.	N.A.		Support Bracket (Used Between Joints)
18.	N.A.		Sltd Rd. Hd. Wood Screw (#14 x 1-1/4")
	N.A.		Sltd. Flat Hd. Wood Screw (#14 x 1-1/4")
19.	N.A.		Track Support w/Vinyl (145")
20.	11-082094-009	N.A.	Self Tapping C.R. Rd. Hd. Screw (#10 x 3/4")
21.	N.A.		Support Bracket (Used at Joints)
22.	N.A.		Track Support w/Vinyl (107")
23.	N.A.		Track Support w/Vinyl (23-5/16")
24.	N.A.		Support Bracket (Tel-E-Foul End)
25.	N.A.		Track Support w/Vinyl (107")
26.	N.A.		Track Support w/Vinyl (94")
27.	53-861063-000	N.A.	Transition Track Assembly
	53-860817-001	R.O.	Transition Track Assembly (metric)
28.	N.A.		Support Bracket (Used Between Joints)
29.	N.A.		Support Bracket (Tel-E-Foul End)
30.	N.A.		Support Bracket (Used at Joints)
31.	53-520314-000		Retaining Washer

N.A. = No Longer Available



**Surface To Subway Conversion
& Concealed Surface Return Track**

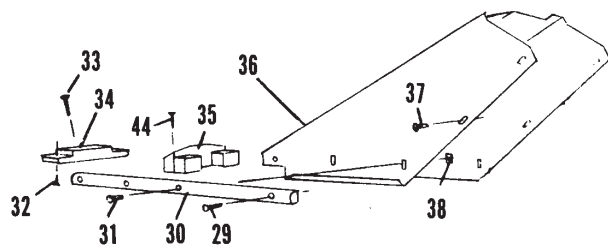
Index

No.	Part No.		Description
1.	19-204511-000	N.A.	Dropsweep - A-2 Subway
2.	11-001264-001		Hex Hd. Cap Screw (5/16-18 x 1")
3.	11-190010-001		Flat Washer (1/4)
4.	11-176000-001		Keps Nut (1/4-20)
5.	19-204190-000	N.A.	Dropsweep Support
6.	11-190012-001		Flat Washer (5/16)
7.	11-176001-001		Keps Nut (5/16-18)
8.	N.A.		Hex Hd. Lag Screw (3/8 x 3")
9.	11-190016-001		Flat Washer (7/16)
10.	19-204226-000	N.A.	Maple Shim
11.	N.A.		Concrete Fastener (3/8-16)
12.	N.A.		L.H. Guide Rail Cover
13.	N.A.		R.H. Guide Rail Cover
14.	N.A.		Self Tapping C.R. T. Hd. Screw (#10 x 1/2")
15.	N.A.		Self Tapping C.R. Rd. Hd. Screw (#14 x 1-1/2")
16.	N.A.		Shim
17.	N.A.		Dropsweep Support (9-1/2 and 10-1/2)
18.	11-040228-001	N.A.	C.R. Flat Hd. Wood Screw (#20 x 4-1/2")
	11-040227-001	R.O.	C.R. Flat Hd. Wood Screw (#20 x 4")
19.	N.A.		Dropsweep - A-2 Surface
20.	N.A.		Hex Hd. Lag Screw (3/8 x 2-1/2")
21.	N.A.		Gutter Support Cleat
22.	11-040663-001	N.A.	Sltd. Flat Hd. Wood Screw (#14 x 3")
23.	N.A.		Dropsweep - A-2 Surface to Subway Conversion
24.	N.A.		Dropsweep Support
25.	N.A.		R.H. Filler Block
26.	11-179022-000	N.A.	Grip Nut (1/4-20)
27.	N.A.		L.H. Filler Block
28.	11-028146-001	N.A.	Sltd. Flat Hd. Machine Screw (1/4-20 x 2")
29.	11-084610-001		Self Tapping C.R. Flat Hd. Screw (#14-10 x 1-3/4")
30.	N.A.		Cover Strip (Gray)
	53-520402-010		Cover Strip (Brown)
31.	15-612306-000		C.R. Flat Hd. Machine Screw w/Nylok (1/4-20 x 1")
32.	N.A.		Sltd. Flat Hd. Wood Screw (#10 x 1-1/4")
33.	11-043164-002	N.A.	C.R. Oval Hd. Wood Screw (#16 x 3")
	11-043164-001	R.O.	Wood Screw (#16 x 3")
34.	19-204225-000	N.A.	Cover Support
35.	19-204533-000	N.A.	Cover Support
36.	N.A.		Dropsweep Cover (Gray)
	N.A.		Dropsweep Cover ("2000" Brown)
37.	11-024288-001		C.R. T. Hd. Machine Screw (1/4-20 x 5/8")
38.	11-179020-001		Grip Nut (1/4-20)
39.	N.A.		Dropsweep Cover (Gray)
	N.A.		Dropsweep Cover ("2000" Brown)
40.	N.A.		L.H. Cover Strip (Gray)
	53-520270-013		L.H. Cover Strip ("2000" Brown)
41.	N.A.		C.R. Flat Hd. Machine Screw w/Nylok (1/4-20 x 1-1/2")
42.	N.A.		R.H. Cover Strip (Gray)
	53-520270-012		R.H. Cover Strip ("2000" Brown)
43.	11-111455-000		Concrete Fastener
44.	N.A.		Sltd. Flat Hd. Wood Screw (#14 x 2-1/2")

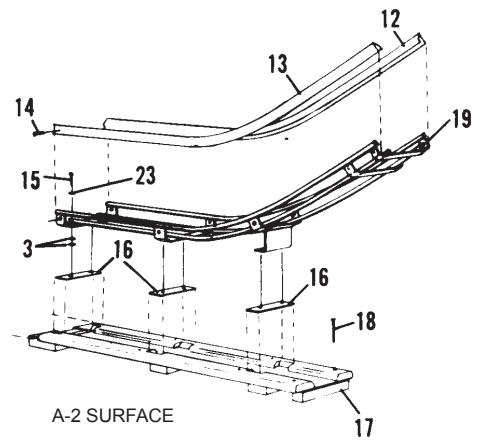
N.A. = No Longer Available

R.O = Replacement Option

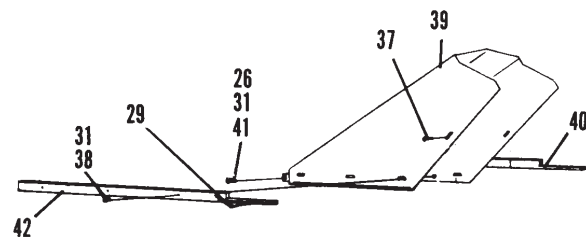
Pit End Dropsweeps & Covers



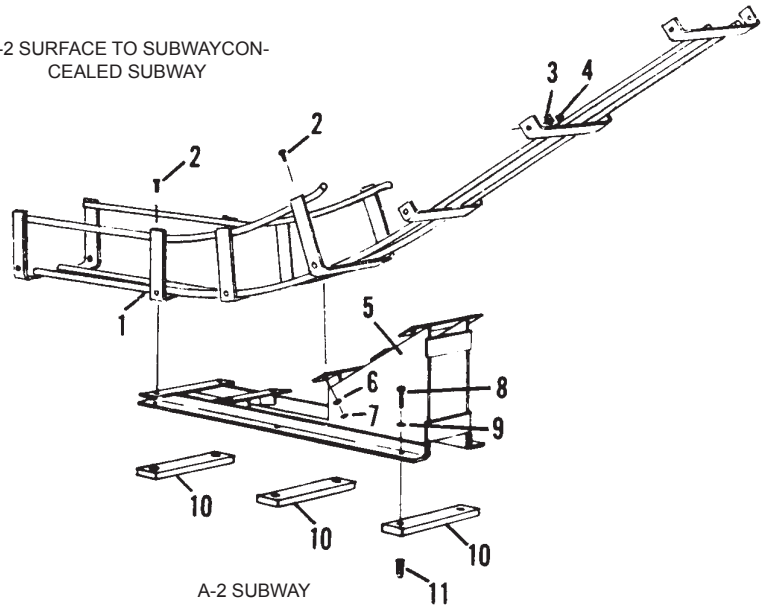
A-2 SUBWAY



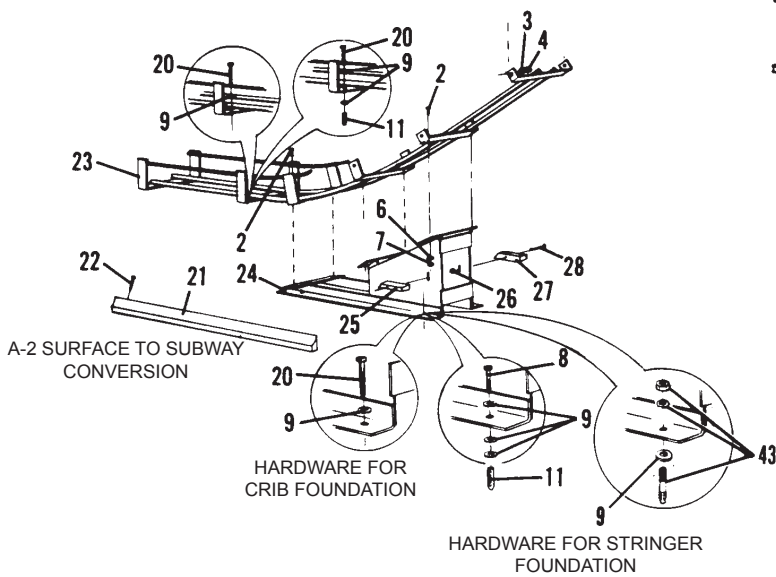
A-2 SURFACE



A-2 SURFACE TO SUBWAY CONCEALED SUBWAY



A-2 SUBWAY



A-2 SURFACE TO SUBWAY CONVERSION

HARDWARE FOR CRIB FOUNDATION

HARDWARE FOR STRINGER FOUNDATION

Pit End Dropsweeps & Covers

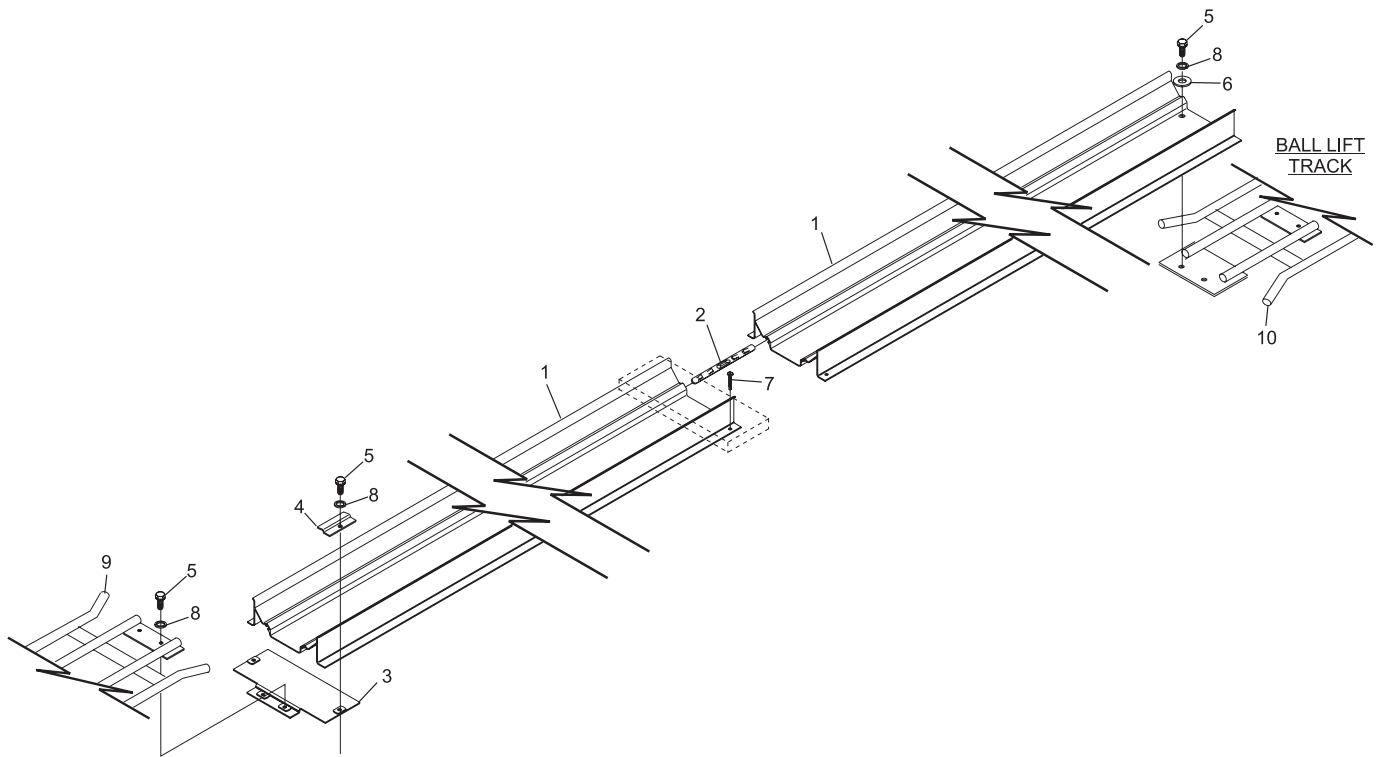
Index

No.	Part No.		Description
1.	84-300250-001	N.A.	Track Section (160")
	84-300254-001	R.O.	Ball Return Track (160")
	53-860807-000	N.A.	Track Section (160") - Pkg. of 5
	53-861047-000	R.O.	Ball Return Track and Hardware Kit
2.	84-300251-000		Track Splice
3.	84-300252-000	N.A.	Track Mounting Plate (accelerator)
	53-861015-000	R.O.	Pkg. Return Track Plates Hardware Kit
4.	84-300253-000	N.A.	Track Hold Down Plate (accelerator)
	53-861015-000	R.O.	Pkg. Return Track Plates Hardware Kit
5.	11-015367-001		Hex Head Screw (5/16-18 x 3/4")
	11-051010-001		Hex Head Cap Screw (8 mm x 20 mm)
6.	11-191012-001		Flat washer (5/16)
	11-052003-001		Flat Washer (8.4 mm)
7.	11-086487-000		Self Drilling Screw (#8 x 1-1/4")
8.	11-051770-001		Lockwasher (8 mm)
9.	53-520634-001		Transition Track (metric) - pinsetter end
10.	53-860817-001		Pkg. Transfer Track (metric) - power lift end

N.A. = No Longer Available

R.O. = Replacement Option

Return Track



Return Track

Intentionally Blank Page

Section K

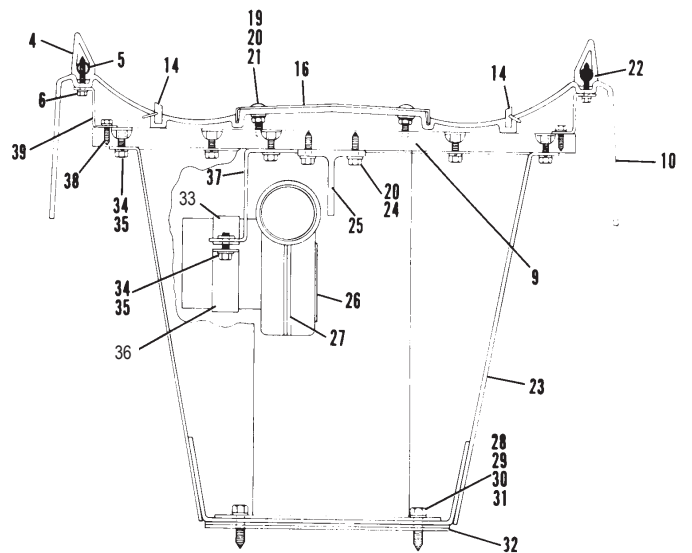
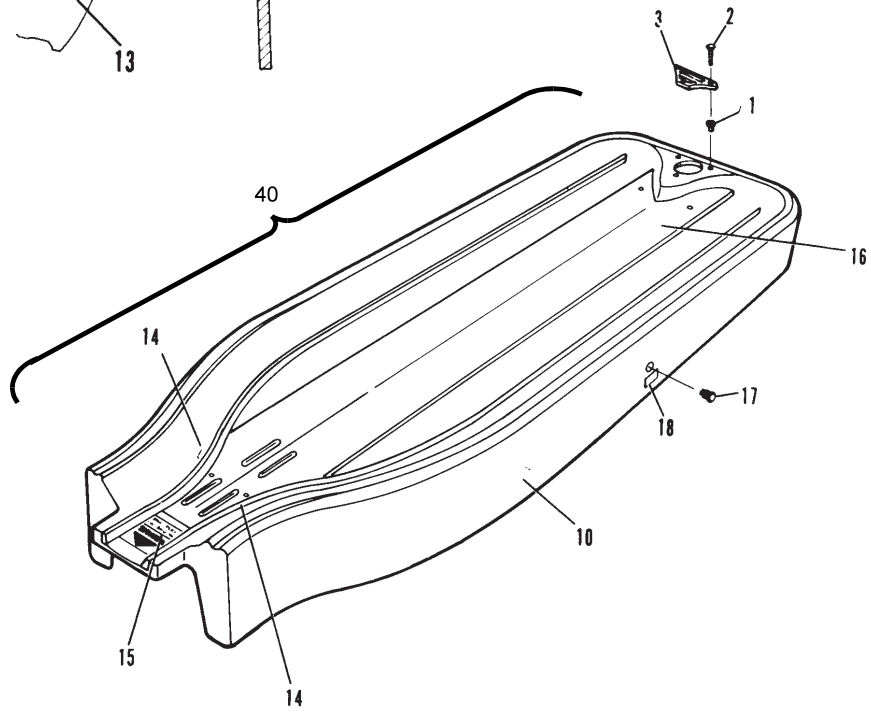
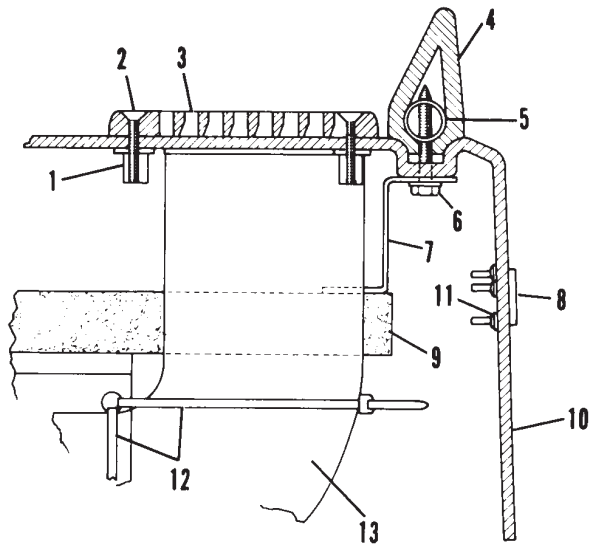
BALL RACKS

Index

No.	Part No.		Description
1.	11-135501-000		Well Nut (6-32)
2.	11-014026-004		C. R. Flat Hd. Machine Screw (6-32 x 5/8")
3.	53-100410-000	N.A.	Bezel
4.	53-100403-000		Bumper Strip
5.	53-100411-000	N.A.	Retaining Tube
6.	11-081012-001		Self Tapping Hex Hd. Washer Screw (#10 x 1-1/4")
7.	53-100414-003	N.A.	End Support Bracket
8.	53-100424-000		Name Plate - "Brunswick"
9.	53-100408-000	N.A.	Support Panel Assembly
10.	53-100484-000	N.A.	Ball Rack Only
11.	N.A.		Push On Fastener
12.	N.A.		Cable Tie
13.	53-100415-000		Hand Dryer Hose (32")
14.	53-100204-004		Outside Ball Track
15.	53-100419-000		Warning Decal
16.	53-100483-000	N.A.	Center Ball Track
17.	11-615019-000		Reset Button
18.	53-100050-000		Decal - "Reset"
19.	54-100107-002	N.A.	"T" Hd. Nib Screw (1/4-20 x 1-1/8")
20.	11-190010-001		Flat Washer (1/4)
21.	11-176000-001		Keps Nut (1/4-20)
22.	53-100224-000		Stem Buttons
23.	N.A.		Pedestal Assembly
24.	N.A.		Hex Hd. Lag Screw (1/4 x 1-1/4")
25.	N.A.	N.A.	Ball Rack Support Frame
26.	53-100276-002		Fan Screen
27.	53-100278-000		Blower Assembly (24V)
28.	11-070563-001	N.A.	Hex Hd. Lag Screw (3/8-7 x 1-1/2)
29.	11-190014-001		Flat Washer (3/8)
30.	11-195016-001		Lockwasher (3/8)
31.	11-190522-001		Special Washer
32.	N.A.		Shim
33.	53-100040-091	N.A.	Lower Clamp
34.	11-001182-001		Hex Hd. Cap Screw (1/4-20 x 3/4")
35.	11-195014-001		Lockwasher (1/4)
36.	53-100043-000		Upper Clamp
37.	53-100413-020	N.A.	Fan Mounting Clamp
38.	N.A.		Self Tapping Hex Hd. Washer Screw (#12 x 3/4")
39.	53-100414-002	N.A.	Side Support Bracket
40.	53-860675-000	N.A.	Complete Assembled Ball Rack - includes Pedestal Assembly (Item #23)

N.A. = No Longer Available

"2000" Twinline II Ball Rack



"2000" Twinline II Ball Rack

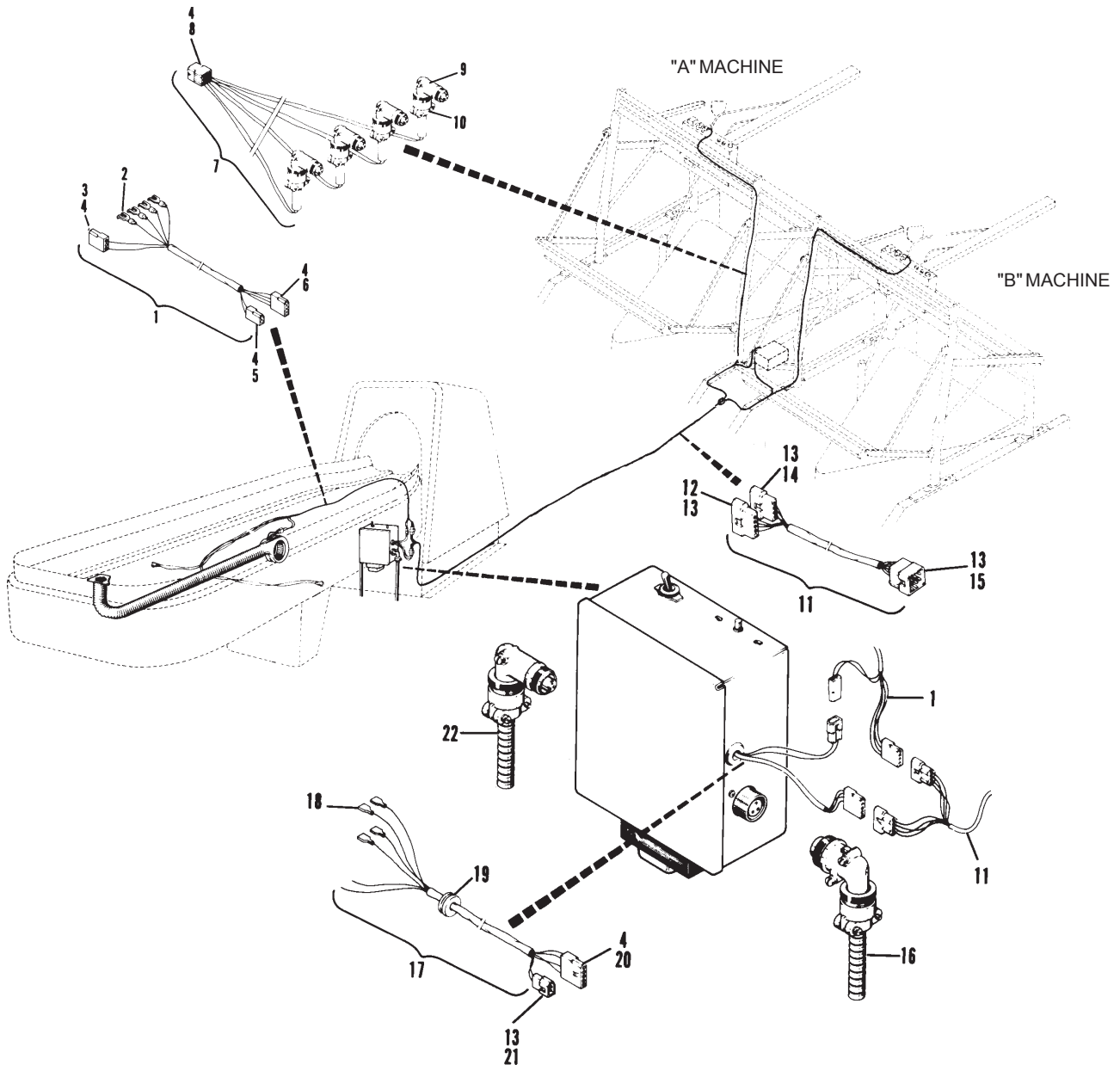
Index

No.	Part No.		Description
1.	53-520589-000	N.A.	Ball Rack Cable Assembly
2.	11-612008-000		Connector
3.	11-680201-000		Receptacle (3 Contacts)
4.	N.A.		Terminal
5.	11-680216-000		Receptacle (2 Contacts)
6.	11-680205-000	N.A.	Receptacle (4 Contacts)
7.	53-520615-000	N.A.	A/P Control Cable Assembly
	53-860688-000	R.O.	Automatic Pinsetter Control Cable
8.	11-680204-000	N.A.	Receptacle (9 Contacts)
9.	11-623005-000		90° Angle Plug
10.	11-605127-000		Cable Clamp
11.	53-520588-000	N.A.	Lane Cable Assembly
	53-860691-000	R.O.	GS-Series to Ball Lift Cable Pkg. w/Ties
12.	11-680117-000		Connector Plug (5 Contacts)
13.	11-680302-000	N.A.	Terminal
	57-860032-000	R.O.	Terminal - Male (Pkg. of 10)
14.	11-680105-000	N.A.	Connector Plug (4 Contacts)
15.	11-680104-000	N.A.	Connector Plug (9 Contacts)
16.	*53-520212-000		Motor Cable Assembly
17.	N.A.		Control Box Cable Assembly
18.	N.A.		Receptacle
19.	11-651006-000	N.A.	Grommet (3/8)
20.	11-680217-000		Receptacle (5 Contacts)
21.	11-680116-000		Connector Plug (2 Contacts)
22.	*53-600149-000		Power Cable Assembly

N.A. = No Longer Available

R.O. = Replacement Option

* See Page 9M for Parts Breakdown

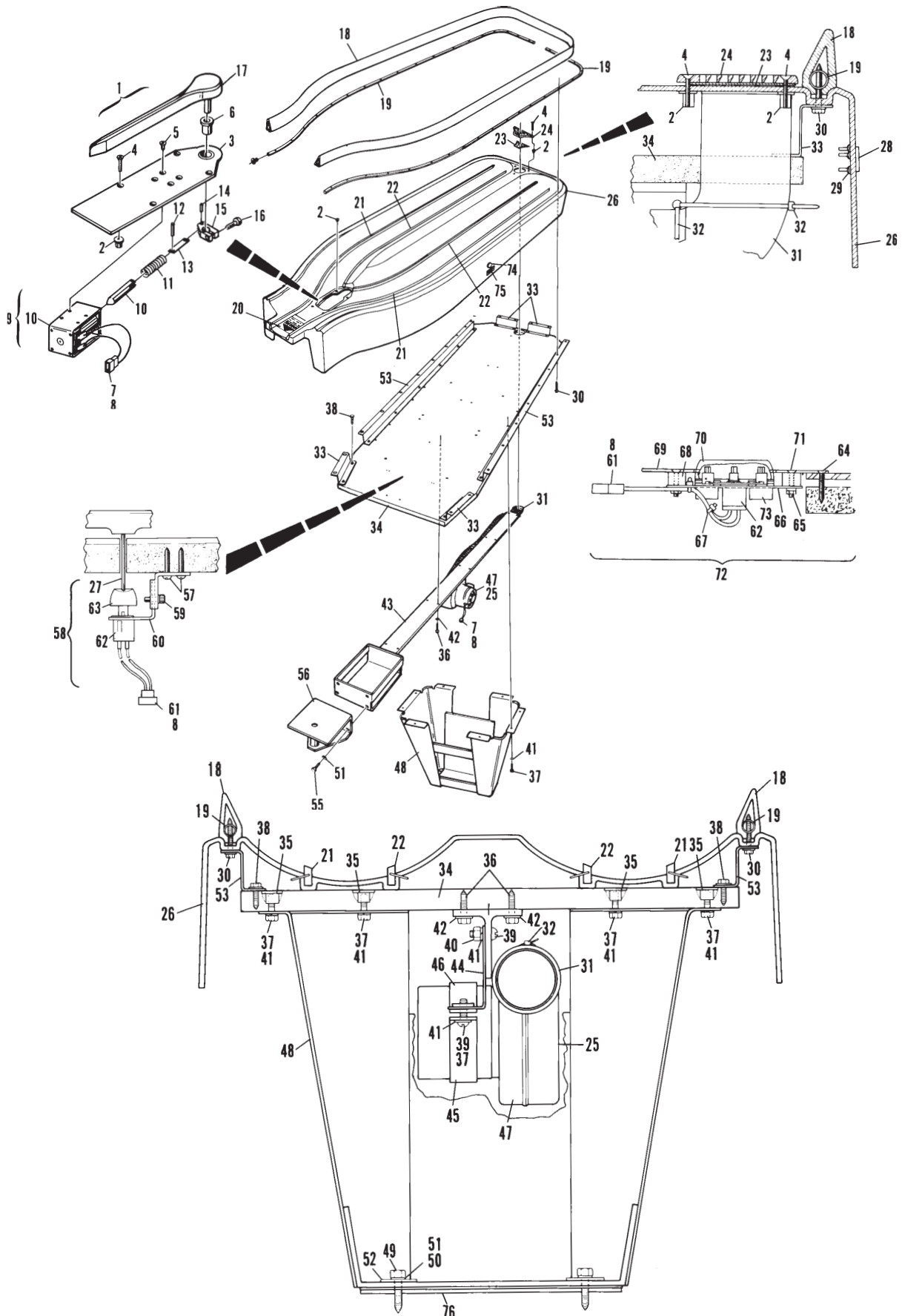


**Twinline II Ball Rack
Cable Assemblies**

Index			Index		
No.	Part No.	Description	No.	Part No.	Description
1.	N.A.	Ball Guide Assembly	39.	11-107148-001	Slt'd. Rd. Hd. Machine Screw (1/4-20 x 3/4")
2.	11-135501-000	Well Nut (6-32)	40.	11-125007-001	Hex Nut (1/4-20)
3.	N.A.	Support Plate Assembly	41.	11-195014-001	Lockwasher (1/4)
4.	11-014026-004	C.R. Flat Hd. Machine Screw (6-32 x 5/8")	42.	11-190010-001	Flat Washer (1/4)
5.	N.A.	C.R. Flat Hd. Machine Screw (8-32 x 5/16")	43.	N.A.	N.A. Ball Rack Support Frame
6.	11-421008-000	Oilite Bearing	44.	53-100413-000	Fan Mounting Bracket (Rack w/o Reset Buttons)
7.	11-680101-000	Connector Plug (3 Contacts)		53-100413-020	N.A. Fan Mounting Bracket (Rack w/Reset Buttons)
8.	11-680302-000	N.A. Terminal	45.	53-100040-091	N.A. Lower Clamp
	57-860032-000	R.O. Terminal - Male (Pkg. of 10)	46.	53-100043-000	N.A. Clamp
9.	53-100425-000	Solenoid Assembly	47.	53-100278-000	Blower Assembly (24V)
10.	53-100251-000	Solenoid Only (24 Volt)	48.	N.A.	Pedestal Assembly
11.	53-100252-000	N.A. Spring	49.	11-070563-001	N.A. Hex Hd. Lag Screw (3/8-7 x 1-1/2)
12.	11-345160-001	Roll Pin (1/8 x 7/8)	50.	11-190014-001	Flat Washer (3/8)
13.	N.A.	Link	51.	11-195016-001	Lockwasher (3/8)
14.	11-345152-001	Roll Pin (.125 x 3/8)	52.	11-190522-001	Special Washer
15.	N.A.	Arm Assembly	53.	53-100414-002	N.A. Side Support Bracket
16.	11-005120-001	Hex Socket Hd. Cap Screw (10-32 x 5/8")	54.	53-100224-000	Stem Buttons
17.	N.A.	Ball Guide	55.	11-001343-001	Hex Hd. Cap Screw (3/8-16 x 7/8")
18.	53-100403-000	Bumper Strip	56.	53-520085-000	Coupling
19.	53-100411-000	N.A. Retaining Tube	57.	N.A.	C.R. Rd. Hd. Wood Screw (8-32 x 3/4")
20.	53-100419-000	Warning Decal			Switch Assembly - Complete
21.	53-100204-004	Outside Ball Track	59.	N.A.	Self Tapping C.R. B. Hd. Screw (#6 x 5/16")
22.	53-100204-005	N.A. Inside Ball Track	60.	N.A.	Switch Bracket
23.	N.A.	Blower Screen (Black)	61.	11-680116-000	Connector (2 Contacts)
24.	53-100410-000	N.A. Bezel	62.	11-674970-000	N.A. Switch Only
25.	53-100276-002	Fan Screen	63.	53-520526-003	N.A. Key Cap Only
26.	N.A.	Ball Rack Only (for use w/o Reset Buttons)	64.	11-086337-001	N.A. Self Tapping C.R. Flat Hd. Screw (6 -20 x 1")
	N.A.	Ball Rack Only (for use w/ Reset Buttons)	65.	11-176005-001	Keps Nut (6-32)
	N.A.	Rebuilt Ball Rack	66.	N.A.	Switch Bracket
27.	N.A.	Actuator Pin	67.	11-603108-000	N.A. Cable Tie (3-5/8)
28.	53-100424-000	Name Plate - "Brunswick"	68.	N.A.	Spacer
29.	N.A.	Push On Fastener	69.	N.A.	Cover Plate
30.	11-081012-001	Self Tapping Hex Hd. Washer Screw (#10 x 1-1/4")	70.	N.A.	Key Cap
31.	53-100415-000	Hand Dryer Hose (32")	71.	11-014030-001	N.A. C.R. Flat Hd. Machine Screw (6-32 x 1")
	53-100415-010	Hand Dryer Hose (50")	72.	N.A.	Bar Switch Assembly
32.	N.A.	Cable Tie	73.	N.A.	Spacer Bar Kit
33.	53-100414-003	N.A. End Support Bracket	74.	11-615019-000	Reset Button
34.	53-100408-000	N.A. Support Panel Assembly	75.	53-100050-000	Name Plate - "Reset"
35.	11-178531-000	Tee Nut (1/4-20)	76.	N.A.	Shim
36.	N.A.	Hex Hd. Lag Screw (1/4 x 1-1/4")			
37.	11-001182-001	Hex Hd. Cap Screw (1/4-20 x 3/4")			
38.	N.A.	Self Tapping Hex Hd. Washer Screw (#12 x 3/4")			

N.A. = No Longer Available

"2000" Twinline I Ball Rack



"2000" Twinline I Ball Rack

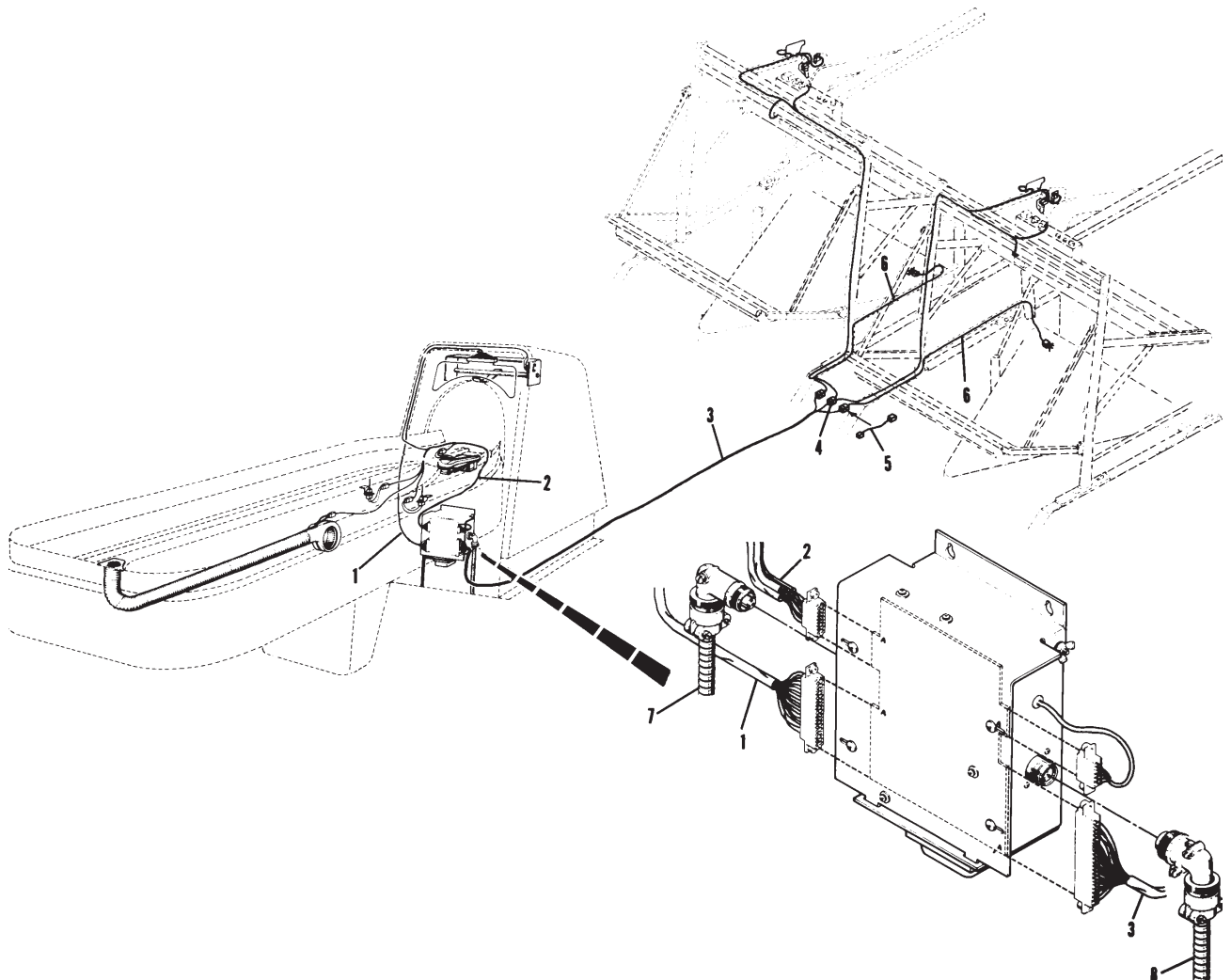
Index

No.	Part No.	Description
1.	*N.A.	Pinfall Display Cable Assembly
2.	*N.A.	Ball Rack Accessory Cable Assembly
3.	*N.A.	Lane Cable Assembly
4.	**53-520508-000	N.A. A/P Control Cable Assembly
5.	**N.A.	Adapter Cable Assembly
6.	**53-520506-000	N.A. Deck Cable Assembly
7.	*53-600149-000	Power Cable Assembly
8.	*53-520212-000	Motor Cable Assembly

N.A. = No Longer Available

* See Page 9M for Parts Breakdown

** See Page 11K for Parts Breakdown

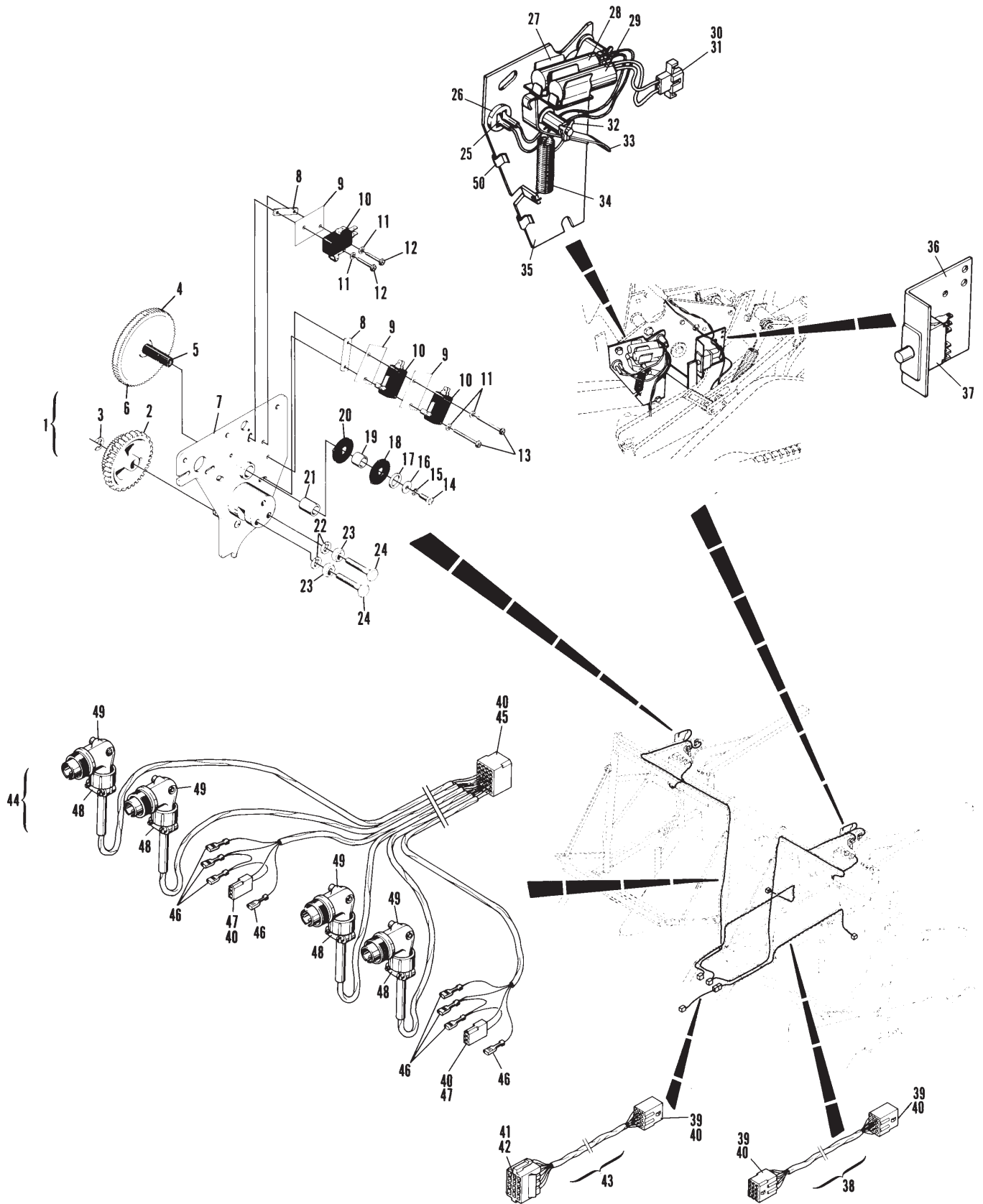


**Twinline I Ball Rack
Cable Assemblies**

Index No.	Part No.	Description
1.	57-861530-000	Switch Cluster Assembly
2.	17-204243-000	Dual Gear
3.	N.A.	Retaining Ring
4.	57-214024-000	Cam Shaft Assembly
5.	57-214025-000	Cam Shaft Only
6.	17-204244-000	N.A. Gear Only
7.	17-204234-000	Switch Plate Assembly
8.	10-616051-000	Nut Plate (4-40)
9.	11-617501-000	Fabric Insulator
10.	11-616015-000	Micro-Switch
11.	11-199000-001	Internal Tooth Lockwasher (#4)
12.	11-010509-001	Hex Hd. Washer Machine Screw (4-40 x 3/4")
13.	11-010513-001	Hex Hd. Washer Machine Screw (4-40 x 1-1/4")
14.	11-010022-001	Sltd. Hex Hd. Machine Screw (6-32 x 3/8")
15.	11-195006-001	Lockwasher (#6)
16.	11-190528-001	Flat Washer
17.	10-386107-000	N.A. Spacer (25/64 x 1/16)
18.	57-214227-000	Switch Cam (36° to 136°)
19.	11-420141-000	Oilite Bearing (.3765 I.D. x .503 O.D.)
20.	17-204237-000	Switch Cam (0° to 270°)
21.	11-420138-000	Oilite Bearing (.3775 I.D. x .503 O.D.)
22.	11-195014-001	Lockwasher (1/4")
23.	11-125100-001	Hex Nut (1/4-20)
24.	11-001186-001	Hex Hd. Cap Screw (1/4-20 x 1-1/4")
25.	11-613510-000	Terminal Tab
26.	11-609302-000	N.A. Terminal Bushing (115 Volt)
27.	N.A.	Dual Switch Pivot Assembly
28.	12-750362-000	Mercury Switch
29.	53-100247-000	Mercury Switch Assembly
30.	11-680103-000	Connector Plug (3 Contacts)
31.	11-680302-000	N.A. Terminal
	57-860032-000	R.O. Terminal - Male (Pkg. of 10)
32.	11-230001-001	X-Washer (1/8)
33.	12-750337-000	Latch Assembly
34.	12-450051-000	Tension Spring
35.	12-750364-000	Switch Plate Assembly
36.	53-100435-000	N.A. Switch Support
	12-860563-000	R.O. Micro Switch Assembly
37.	11-674995-000	Push Button Switch
38.	53-520506-000	N.A. Deck Cable Assembly
39.	11-680218-000	N.A. Receptacle (12 Contacts)
40.	11-680301-000	N.A. Terminal
	57-860031-000	R.O. Terminal - Female (Pkg. of 20)
41.	11-680003-000	N.A. Connector Plug (12 Contacts)
42.	11-612301-000	Contact
43.	N.A.	Adapter Cable Assembly
44.	53-520508-000	A/P Control Cable Assembly
45.	N.A.	Receptacle (24 Contacts)
46.	11-612252-000	N.A. Receptacle
47.	11-680201-000	Receptacle (3 Contacts)
48.	11-605127-000	Cable Clamp
49.	11-623005-000	90° Angle Plug
50.	12-750369-000	N.A. Cable Clip

N.A. = No Longer Available

"2000" Switch Cluster Assembly, Dual Strike Mechanism & Harness Assemblies



**"2000" Switch Cluster Assembly,
Dual Strike Mechanism & Harness Assemblies**

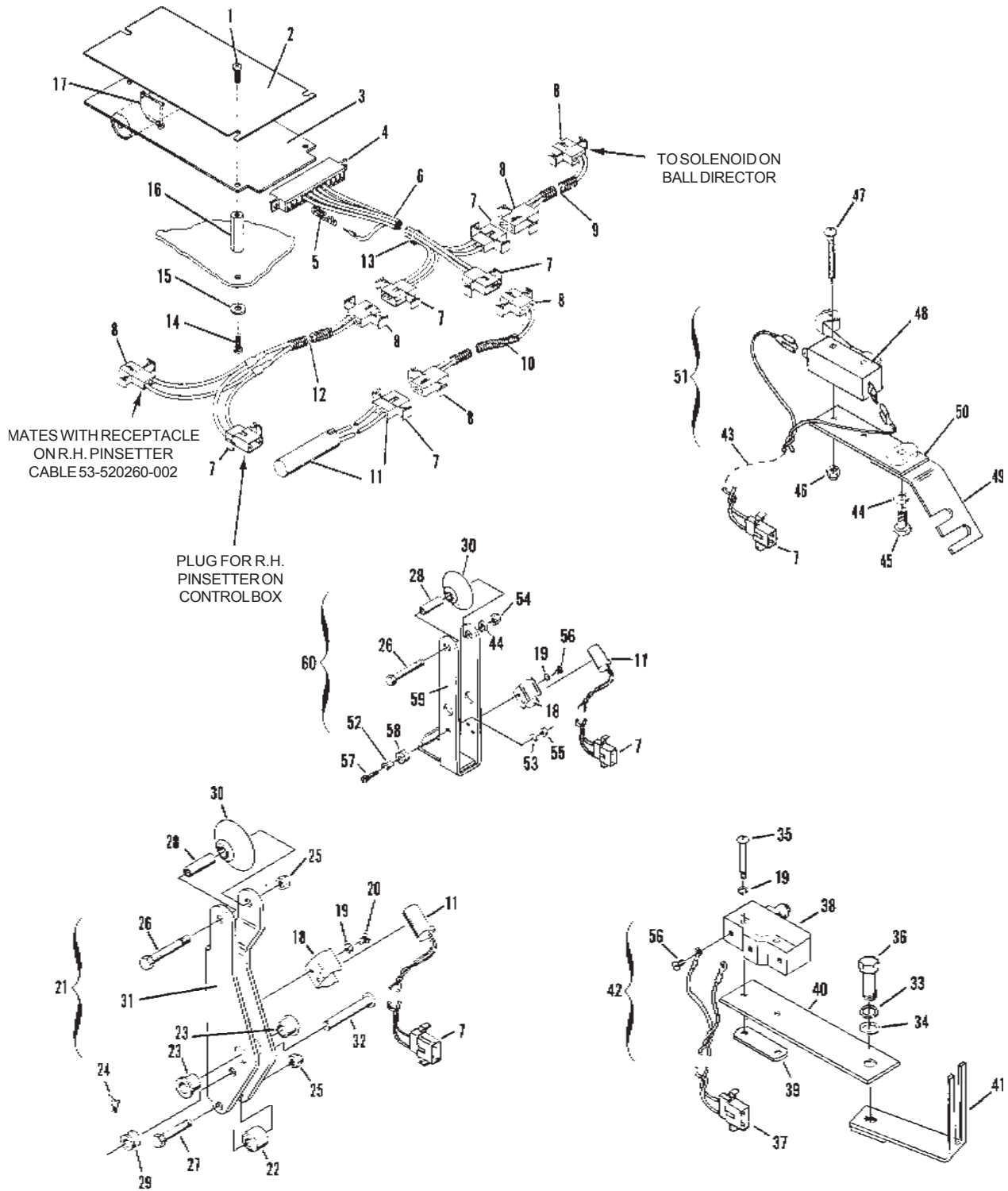
Index			Index		
No.	Part No.	Description	No.	Part No.	Description
1.	N.A.	C.R. Pan Hd. Machine Screw (8-32 x 3/8")	31.	12-502138-000	Bracket
2.	N.A.	Guard	32.	12-150158-017	X-Washer Pin
3.	N.A.	PCB Assembly (See Note)	33.	11-195015-001	Lockwasher (5/16)
4.	11-680251-000	N.A. Edge Connector (12 Contacts)	34.	11-190012-001	Flat Washer (5/16)
5.	11-680303-000	N.A. Terminal	35.	N.A.	Slted. Rd. Hd. Machine Screw (6-32 x 1")
6.	N.A.	Harness Assembly	36.	11-001258-001	Hex Hd. Cap Screw (5/16-18 x 1/2")
7.	11-680103-000	Connector Plug (3 Contacts)	37.	N.A.	Switch Harness Assembly
	11-680302-000	N.A. Terminal	38.	N.A.	Switch
	57-860032-000	R.O. Terminal - Male (Pkg. of 10)	39.	N.A.	Twin Pilot Nut (6-32)
8.	11-680203-000	Receptacle (3 Contacts)	40.	N.A.	Mounting Plate
	11-680301-000	N.A. Terminal	41.	N.A.	Base Bracket
	57-860031-000	R.O. Terminal - Female (Pkg. of 20)	42.	N.A.	AMF Conversion Switch Assembly
9.	N.A.	Harness Assembly (30")	43.	N.A.	Switch Harness Assembly
10.	N.A.	Harness Assembly (96")	44.	11-195014-001	Lockwasher (1/4)
11.	53-100247-000	Mercury Switch Assembly	45.	N.A.	Hex Hd. Cap Screw (1/4-20 x 5/16")
12.	N.A.	Harness Assembly	46.	11-170002-001	Self Locking Nut (6-32)
13.	11-603108-000	N.A. Cable Tie (3-5/8)	47.	N.A.	C.R. Rd. Hd. Machine Screw (6-32 x 7/8")
14.	11-012312-000	C.R. Pan Hd. Machine Screw (8-32 x 5/8")	48.	N.A.	Switch
15.	11-190004-001	Flat Washer (#8)	49.	N.A.	Angle Bracket
16.	N.A.	Standoff	50.	N.A.	Mounting Bracket
17.	N.A.	Cable Tie	51.	N.A.	AMF 82-30 Switch Assy.
18.	N.A.	Clip	52.	N.A.	Oilite Bearing
19.	11-195006-001	Lockwasher (#6)	53.	11-195010-001	Lockwasher (#10)
20.	11-013020-001	Slted. Pan Hd. Machine Screw (6-32 x 1/4")	54.	11-125200-001	Hex Jam Nut (1/4-20)
21.	N.A.	Ball Stop and Switch Assy.	55.	11-125004-001	Hex Nut (10-24)
22.	11-450303-000	Ball Bearing	56.	N.A.	Slted. Pan Hd. Machine Screw (6-32 x 3/16")
23.	11-421111-000	Oilite Bearing	57.	11-005092-001	Hex Socket Hd. Cap Screw (10-24 x 3/4")
24.	11-230001-001	X-Washer (1/8)	58.	12-500019-000	Spring Wheel
25.	11-170007-001	Self Locking Nut (1/4-20)	59.	12-500014-000	N.A. Stop Assembly
26.	11-001190-001	Hex Hd. Cap Screw (1/4-20 x 1-3/4")	60.	N.A.	Ball Stop and Switch Assembly
27.	11-001186-001	Hex Hd. Cap Screw (1/4-20 x 1-1/4")			
28.	10-386080-000	Spacer			
29.	10-376001-000	Spring Roller			
30.	34-082132-000	Rubber Roller Assembly			

N.A. = No Longer Available

NOTE: Rebuilt PCB assemblies are available on a direct exchange basis. Your defective PCB assembly should be packaged with a copy of Brunswick Order Form (900.06) included to identify your center and shipped to:

Attn: Electronic Repair Center
 Brunswick Corporation
 525 W. Laketon Avenue
 Muskegon, MI 49443

Ball Director PCB, Harness & Ball Stop Assemblies



Ball Director PCB, Harness & Ball Stop Assemblies

Index			Index		
No.	Part No.	Description	No.	Part No.	Description
1.	*11-676027-000	N.A. Cement (Pint)	31.	N.A.	Self Tapping C.R. Flat Hd. Screw (#14 x 7/8")
	*11-676047-000	R.O. Contact Cement (Gallon)	32.	N.A.	Urethane Retarder
2.	*34-205052-000	N.A. Hydraulic Fluid (4 Oz. Can)	33.	N.A.	Retarder Shim
3.	N.A.	Slt'd. T. Hd. Machine Screw (1/4-20 x 1/2")	34.	N.A.	Brad
4.	11-199005-004	N.A. Internal Tooth Lockwasher (1/4)	35.	N.A.	Track Extrusion Assy.
5.	N.A.	Rocker	36.	N.A.	Fibre Track
6.	11-195014-001	Lockwasher (1/4)	37.	N.A.	C.R. Flat Hd. Wood Screw (#14 x 1-1/4")
7.	11-024288-001	Slt'd. T. Hd. Machine Screw 1/4-20 x 5/8")	38.	N.A.	Rubber Track
8.	N.A.	Clevis Pin	39.	N.A.	Spacer
9.	N.A.	Hanger	40.	11-190006-001	Flat Washer (#10)
10.	11-335155-000	N.A. Cotter Pin (3/32 x 3/4")	41.	11-082094-009	N.A. Self Tapping C.R. Rd. Hd. Screw (#10 x 3/4")
11.	N.A.	L.H. Fibre Track	42.	N.A.	Urethane Strip
12.	**N.A.	Cylinder Assembly w/Fluid (FZ)	43.	*N.A.	Plunger Assembly (FZ)
	***N.A.	Cylinder Assembly w/Fluid (GD)	44.	***N.A.	Plunger Assembly (GD)
13.	N.A.	R.H. Fibre Track	45.	N.A.	Dip Stick
14.	N.A.	Extrusion	46.	N.A.	Spring
15.	N.A.	Screw Post	47.	N.A.	Cylinder Housing
16.	N.A.	Counterweight	48.	**N.A.	Oillite Bearing
17.	11-195017-001	Lockwasher (7/16)	49.	***N.A.	Shaft Assembly (FZ)
18.	N.A.	Special Screw	50.	**N.A.	Shaft Assembly (GD)
19.	N.A.	Track Insert		***N.A.	Copper Gasket (FZ)
20.	N.A.	R.H. Leather Facing	51.	N.A.	Set Screw (5/16-18 x 5/16") (GD)
21.	N.A.	Roller Axle	52.	11-420043-000	C.R. Flat Hd. Machine Screw (1/4-20 x 1-1/2")
22.	N.A.	Coupling Screw	53.	N.A.	Oillite Bearing
23.	N.A.	Bumper		***N.A.	Hex Socket Hd. Cap Screw w/Nylok (5/16-18 x 1/2")
24.	34-082132-000	Rubber Roller Assy.	54.	N.A.	Adjusting Screw (5/16-18 x 8-5/16") (GD)
	34-205100-000	Neoprene Roller Assy.	55.	N.A.	Shaft Guide
25.	N.A.	C.R. Oval Hd. Machine Screw (5/16-18 x 1-1/2")	56.	N.A.	Spring Sleeve
26.	N.A.	L.H. Leather Facing	57.	N.A.	Spring
27.	N.A.	Coupling Nut (5/16-18)	58.	11-530017-001	Collar
28.	N.A.	Rubber Panel	59.	**N.A.	Retaining Ring
29.	N.A.	Retarder Casting			Cradle Ball Stop Assy. (FZ)
30.	N.A.	Self Tapping C.R. Oval Hd. Screw (#14 x 1-3/4")			

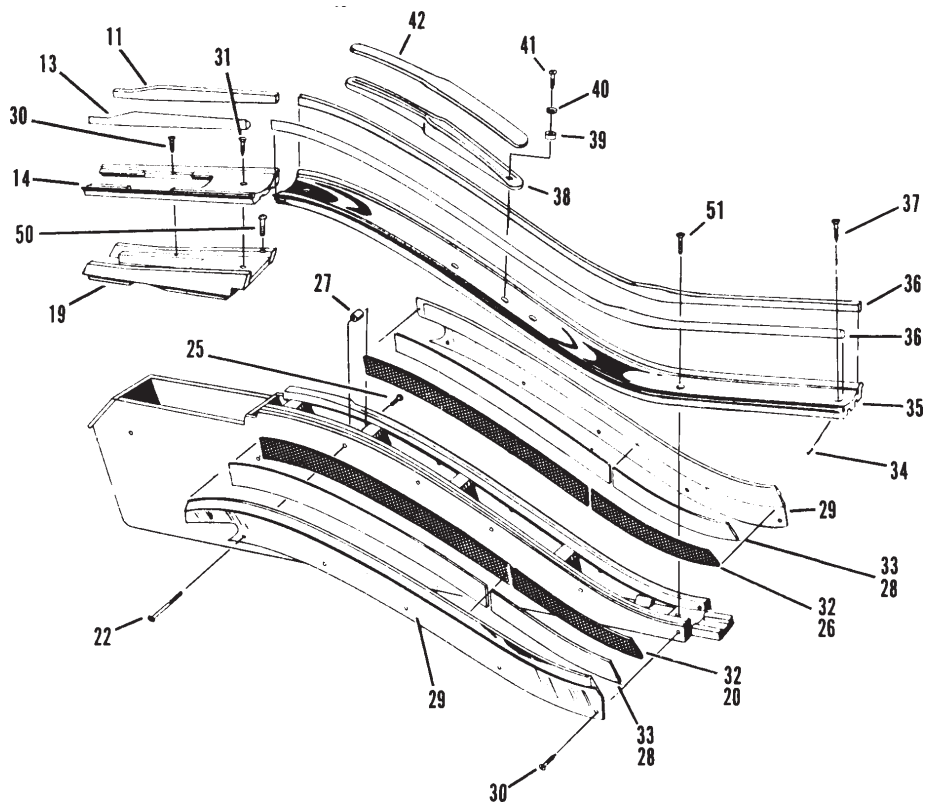
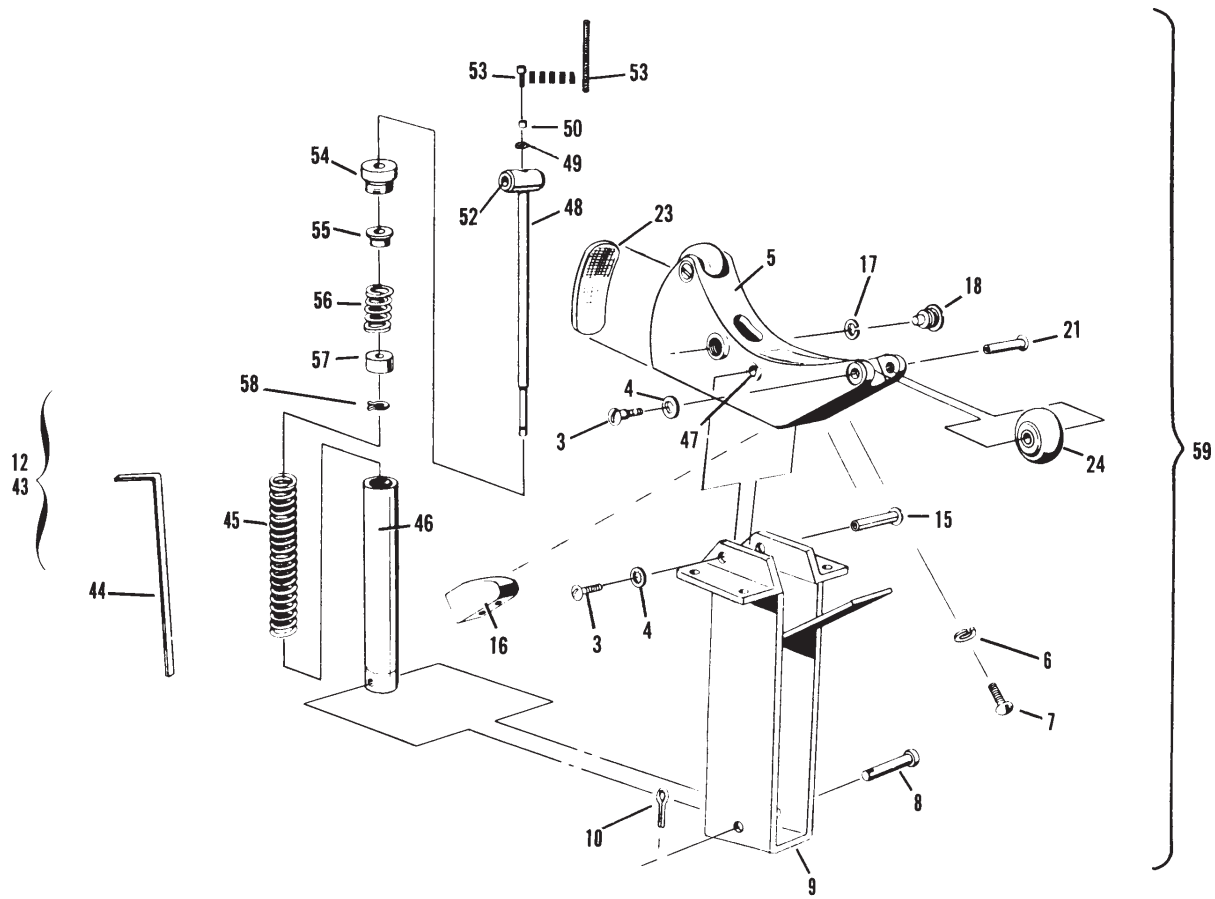
N.A. = No Longer Available

* Not Illustrated

** Model FZ - for use with Brunswick pinsetter.

*** Model GD - for use with AMF pinsetter.

A-2 Cradle Ball Stop & Riser Section



A-2 Cradle Ball Stop & Riser Section

Index			Index		
No.	Part No.	Description	No.	Part No.	Description
1.	53-400030-000 53-861124-000	N.A. R.O.	23.	11-082703-001	Self Tapping Screw (#12-14 x 1/2")
2.	11-006088-001		24.	11-082687-000	Type "B" Pan Hd. Screw (#10-16 x 5/8")
3.	53-400002-000 53-400097-000 53-400002-003 53-400097-003 53-400097-205 53-400063-000	N.A. R.O. N.A. R.O. R.O. N.A.	25.	11-010807-000	N.A. Self Tapping Screw (#10-32 x 1/2")
	53-400063-003	N.A.	26.	11-198005-001	Lockwasher (1/4")
4.	53-400003-000 53-400099-000 53-400003-003 53-400099-003 53-400099-205 53-400062-000	N.A. R.O. N.A. R.O. R.O. N.A.	27.	53-400010-000	Ball Bumper
	53-400062-003	N.A.	28.	11-125100-001	Nut (1/4-20)
5.	53-861057-000 53-861127-000 53-861057-100 53-861127-100	N.A. R.O. N.A. R.O.	29.	11-082703-001	Self Tapping Screw (12-14 x 1/2")
6.	11-082683-001	N.A.	30.	53-400056-000	N.A. Ball Return End Cap - Top (Light Grey)
7.	11-010808-000	N.A.		53-400270-000	R.O. Ball Return End Cap - Top (Light Grey)
8.	**53-400057-xxx			53-400056-003	N.A. Ball Return End Cap - Top (Graphite)
9.	11-082705-001	N.A.		53-400270-003	R.O. Ball Return End Cap - Top (Graphite)
10.	11-082701-001	N.A.	31.	**53-861026-xxx	Ball Rail Extrusion
11.	53-400036-000		32.	N.A.	Weldment - Ball Track
12.	53-861059-115 53-861059-230		33.	53-400055-000	N.A. Vent - Ball Rack (Dark Gray)
13.	53-400024-000			53-400278-000	R.O. Vent - Ball Rack (Dark Gray)
14.	11-001182-001			53-400055-003	N.A. Vent - Ball Rack (Graphite)
15.	53-400038-000	N.A.		53-400278-003	R.O. Vent - Ball Rack (Graphite)
16.	53-861147-606 53-861147-608 53-861133-606 53-861133-608		34.	N.A.	Wire Tie
17.	11-195015-001		35.	53-400039-000	Blower Mount - Lower
18.	11-001263-001		36.	11-095011-000	Floor Anchor - Wood
19.	11-651103-000		37.	*53-860988-000	Small Ball Bumper Conversion Kit
20.	53-400018-000 53-400018-002		38.	53-400041-000	Hand Dryer Hose
21.	53-400301-001	N.A.	39.	53-400043-102	Decal Vent (Light Gray)
22.	53-400007-000 53-400271-000 53-400007-003 53-400271-003 53-400271-205	N.A. R.O. N.A. R.O. R.O.	40.	**53-861090-xxx	Ball Return Color Kit (includes Index Nos. 8 and 31 Hood Logo, throat Insert and Vent Decal) Not Illustrated
				53-861122-002	Color Kit (Graphite) Not Illustrated
			41.	53-861135-000	N.A. Frameworkx Ball Lift Safety Switch
				53-861149-000	R.O. Frameworkx Ball Lift Safety Switch
			42.	53-400301-001	Button Head Socket Screw (3/8-16 x 2.25) for dark grey racks
				53-400301-019	Button Head Socket Screw Corrosion Resistant (3/8-16 x 2.25) for silver racks
			43.	11-095011-000	Hex Drive Insert - Wood (3/8-16 x 1.181")

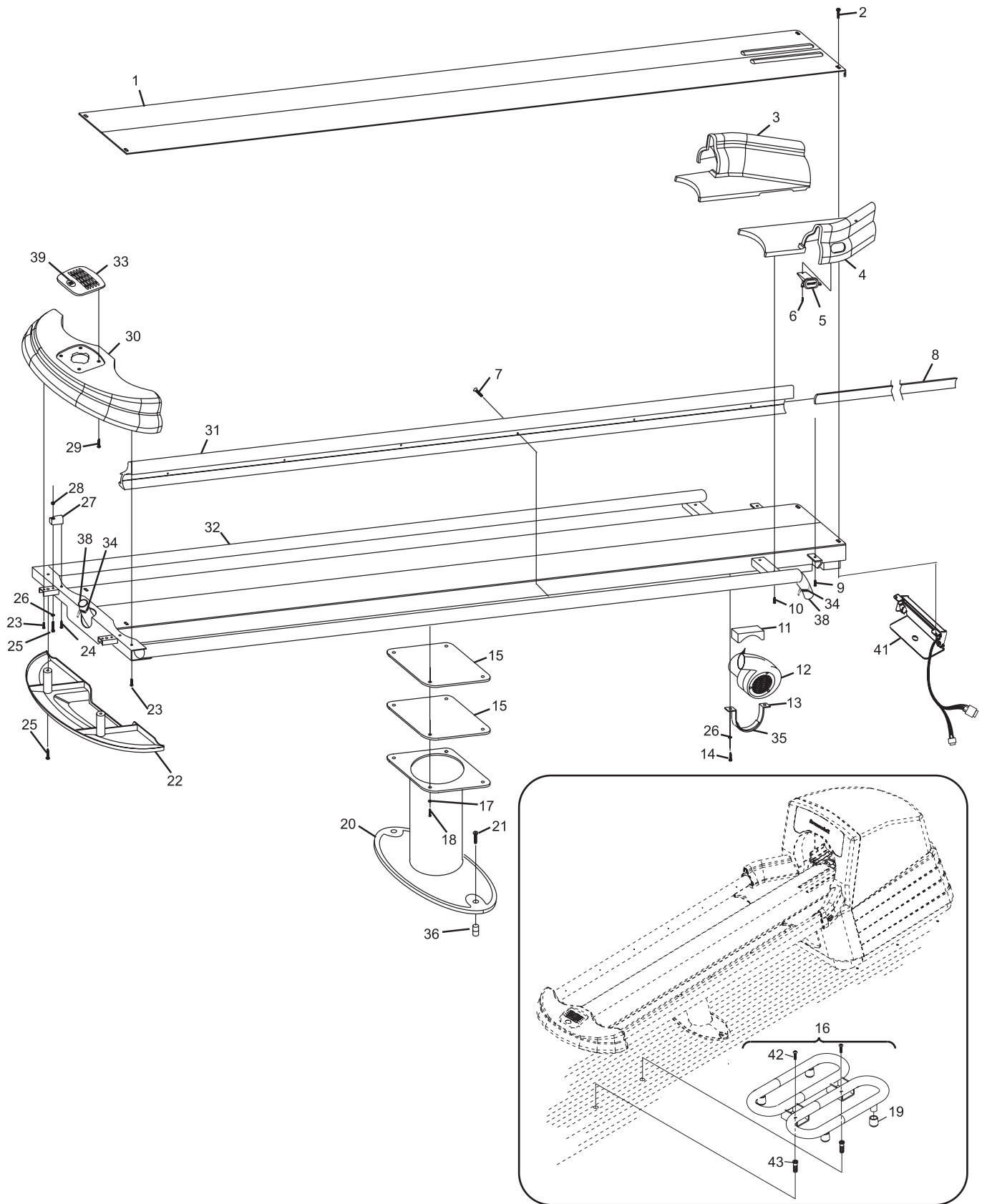
N.A. = No Longer Available
R.O. = Replacement Option

* Not Illustrated

** Color Chart

Part No. Suffix	Primary Color	Secondary Color
-103	LIGHT GRAY - N.A.	
-105	GRAPE - N.A.	
-113	DARK BLUE - N.A.	
-220	BLUEBERRY	
-221	KIWI	BANANA accent
-222	CRANBERRY	BLUEBERRY accent
-223	GRAPE	BANANA accent
-224	BANANA	KIWI accent
-225	STRAWBERRY	GRAPE accent
-229	GRAPHITE	BANANA accent

Frameworkx Ball Return



Frameworx Ball Return

Intentionally Blank Page

Section L

POWER LIFT HOODS

Index

No.	Part No.	Description
1.	11-001262-001	Hex Hd. Cap Screw (5/16-18 x 3/4")
2.	11-170009-001	Self Locking Nut (5/16-18 x 3/4")
3.	11-534514-000	N.A. Retaining Ring
4.	11-440010-000	N.A. Nylon Bearing
5.	N.A.	Switch Actuator Assembly
6.	N.A.	Support Bracket
7.	11-013012-000	N.A. Sltd. Pan Hd. Machine Screw (4-40 x 1-1/8")
8.	11-199000-001	Internal Tooth Lockwasher (#4)
9.	17-200185-000	N.A. Spring
10.	11-616016-000	N.A. Switch
11.	N.A.	Spacer
12.	10-616051-000	Nut Plate (4-40)
13.	11-693018-000	N.A. Diode LED
14.	N.A.	Pinfall Display PCB - Complete (See Note)
15.	N.A.	Push Button Switch
16.	11-014032-009	C.R. Flat Hd. Machine Screw (6-32 x 1-1/4")
17.	10-386115-000	Spacer (7/32 x 3/8)
18.	53-100417-000	N.A. Glass Face (for Units w/Reset Switch)
	53-100417-020	Glass Face (for Units w/o Reset Switch)
	53-100488-000	Glass Face (for Non-Pinfinder)
19.	N.A.	Face Panel Only
20.	11-135501-000	Well Nut (6-32)
21.	10-616058-000	Nut Plate (8-32)
22.	N.A.	Latch
23.	11-190539-001	Flat Washer
24.	11-024127-001	C.R. T. Hd. Machine Screw (8-32 x 1/2")
25.	N.A.	Exit Switch Assembly - Complete
26.	11-042606-001	C.R. R. Hd. Wood Screw (#14 x 1")
27.	11-006256-000	N.A. B. Socket Hd. Wood Screw (5/16-18 x 3/8")
28.	N.A.	Hood and Base Assembly (One Piece)
29.	*11-131007-001	N.A. Self Threading Nut (1/4-20)
30.	53-100440-000	N.A. Name Plate - "Brunswick"
31.	53-100491-000	N.A. Hood and Base Assembly - Complete
32.	N.A.	C.R. Flat Hd. Wood Screw (#6 x 1/2")
33.	N.A.	Hood Extrusion
34.	53-100455-000	Hood Guide
35.	N.A.	Hood Base Support
36.	11-081017-001	Self Tapping Hex Hd. Washer Screw (#10 x 5/8")
37.	53-860708-000	N.A. Pinfall Display PCB - Complete (See Note)
38.	N.A.	Shim (As Required)
39.	N.A.	Universal Pinfinder PCB - Complete (See Note)
40.	N.A.	Butterfly Keyboard - Complete
41.	N.A.	Player Control PCB - Complete
42.	11-185276-000	N.A. Round Spacer (.17 I.D. x 1/4 O.D. x 3/8L)
43.	11-192011-000	Nylon Washer
44.	11-125003-001	Hex Nut (8-32)
45.	11-652052-000	N.A. Rubber Washer (3/16)
46.	11-190004-001	Flat Washer
47.	11-176007-001	Keps Nut w/Lockwasher (8-32)
48.	N.A.	Player Control Station - Complete

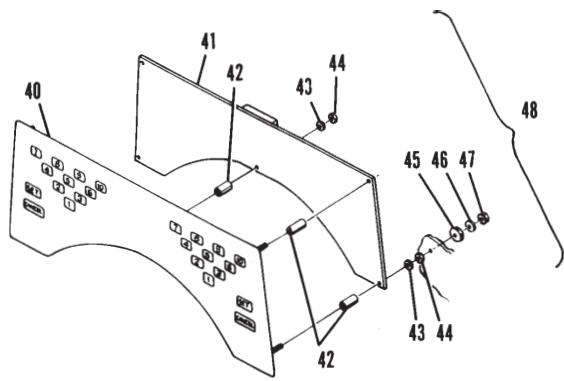
N.A. = No Longer Available

* Order 11-170000-000 Locknut and 11-190010-001 Flat Washer as a replacement option for index 29.

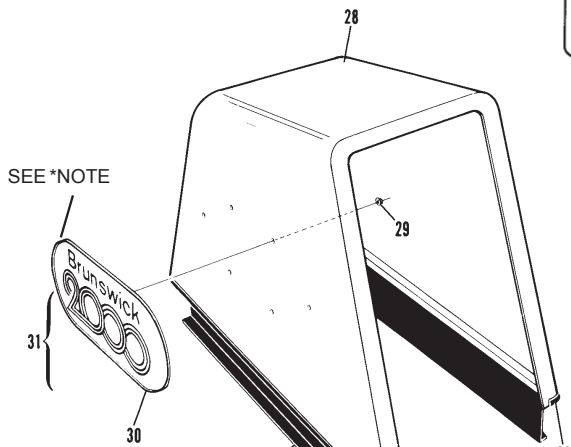
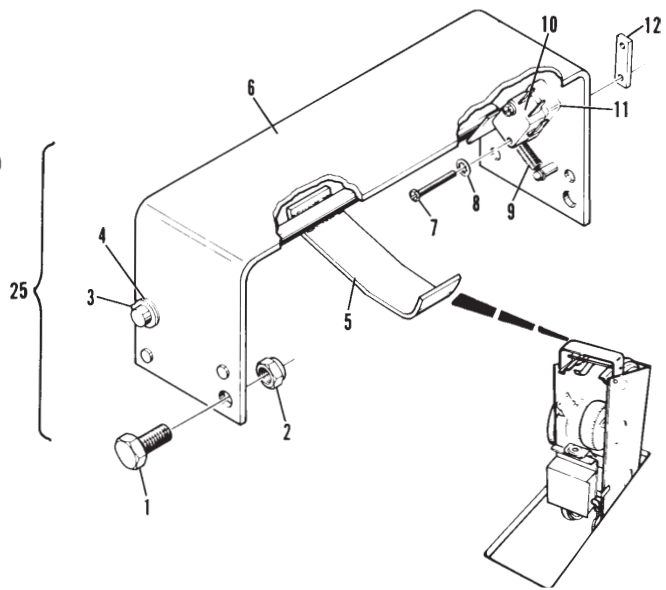
NOTE: Rebuilt PCB assemblies are available on a direct exchange basis. Your defective board assembly should be packaged and a copy of Brunswick Order Form (900.06) included to identify your center and shipped to:

Attn: Electronic Repair Center
 Brunswick Corporation
 525 W. Laketon Avenue
 Muskegon, MI 49443

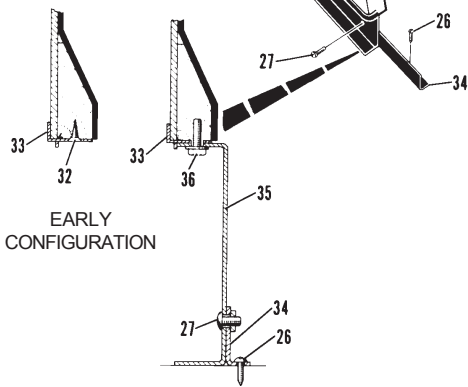
"2000" Ball Lift Hood



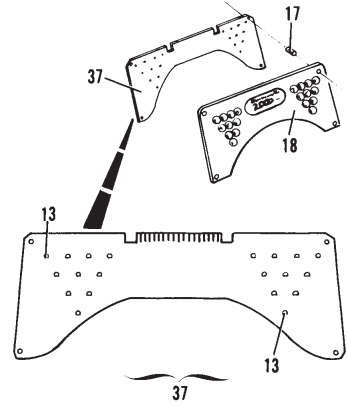
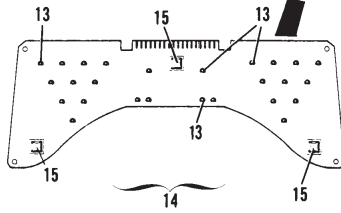
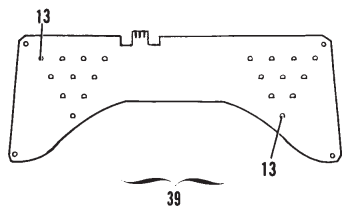
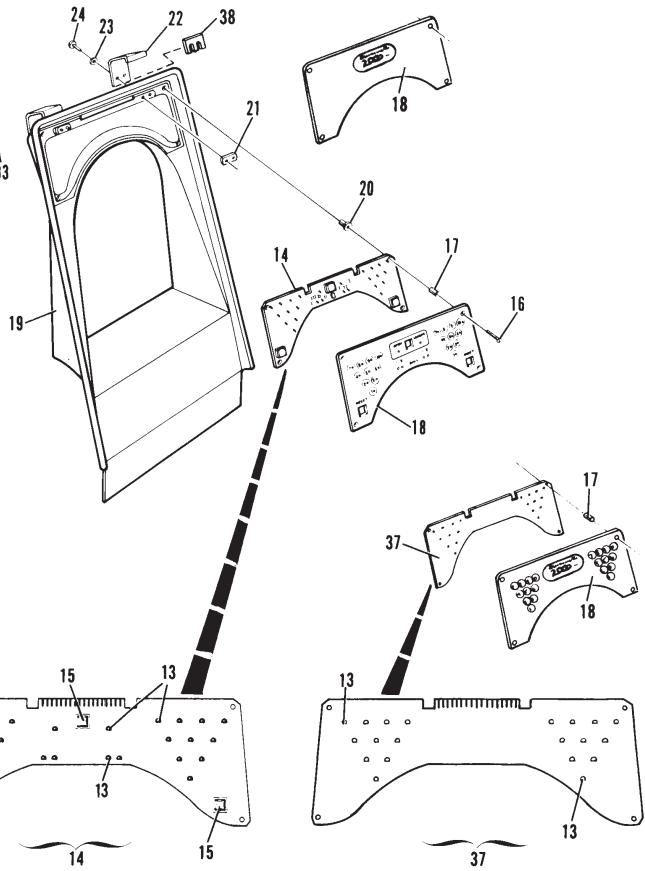
PLAYER CONTROL STATION FOR GS-10 PINSETTER



SEE *NOTE



EARLY CONFIGURATION



"2000" Ball Lift Hood

Index

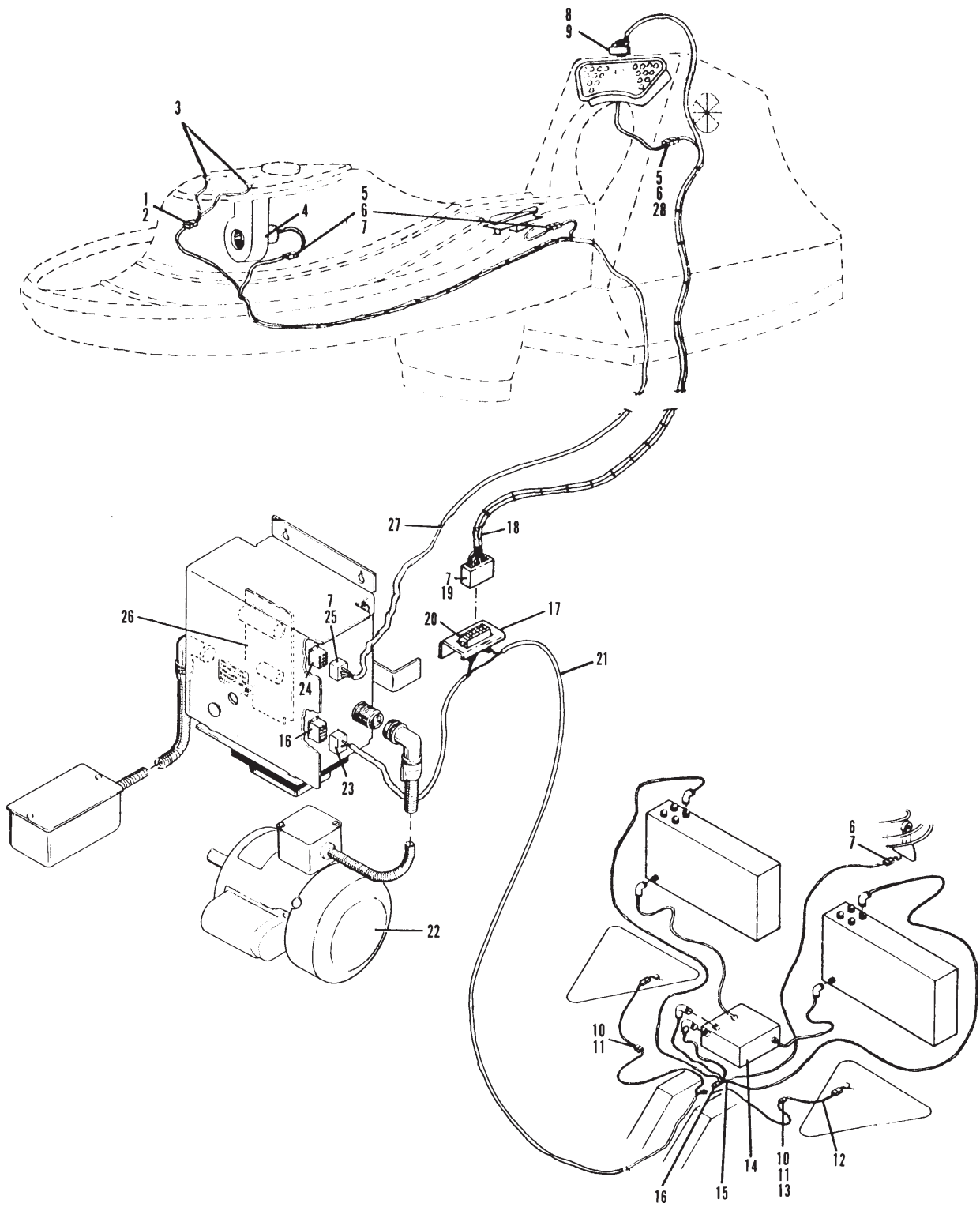
No.	Part No.		Description
1.	11-680105-000	N.A.	Connector Plug (4 Contacts)
2.	11-680205-000	N.A.	Receptacle (4 Contacts)
3.	11-615014-000		Reset Button
4.	N.A.		Blower Assembly (24V)
5.	11-680101-000		Connector Plug (3 Contacts)
6.	11-680201-000		Receptacle (3 Contacts)
7.	11-680302-000	N.A.	Terminal
	57-860032-000	R.O.	Terminal - Male (Pkg. of 10)
8.	N.A.		Edge Connector (22 Contacts)
9.	11-680303-000	N.A.	Terminal - Male
10.	11-680003-000	N.A.	Connector Plug (12 Contacts)
11.	11-612301-000		Contact
12.	12-750431-000	N.A.	Deck Switch Cable Assembly (w/o Automatic Scorers)
	N.A.		Deck Switch Cable Assembly (w/ Automatic Scorers)
13.	11-680503-000	N.A.	Connector (12 Contacts)
14.	12-502335-000		Control Box Assembly
15.	N.A.		Cable Assembly
16.	N.A.		Receptacle (15 Contacts)
17.	N.A.		Mounting Bracket
18.	N.A.		Cable Assembly
19.	N.A.		Connector Plug (36 Contacts)
20.	N.A.		Receptacle (36 Contacts)
21.	N.A.		Cable Assembly
22.	53-860322-010		Motor (1/4 H.P., 115/230V, 50/60 Hz) - Subway Return
23.	N.A.		Connector Plug (15 Contacts)
24.	N.A.		Receptacle (12 Contacts)
25.	11-680108-000		Connector Plug (12 Contacts)
26.	N.A.		PCB Assembly - Complete (See Note)
27.	N.A.		Cable Assembly - Orbital
	N.A.		Cable Assembly - Linear
28.	11-680301-000	N.A.	Terminal
	57-860031-000	R.O.	Terminal - Female (Pkg. of 20)

N.A. = No Longer Available

NOTE: Rebuilt PCB assemblies are available on a direct exchange basis. Your defective board assembly should be packaged and a copy of Brunswick Order Form (900.06) included to identify your center and shipped to:

Attn: Electronic Repair Center
 Brunswick Corporation
 525 W. Laketon Avenue
 Muskegon, MI 49443

Universal Voltage Ball Return System



Universal Voltage Ball Return System

Index

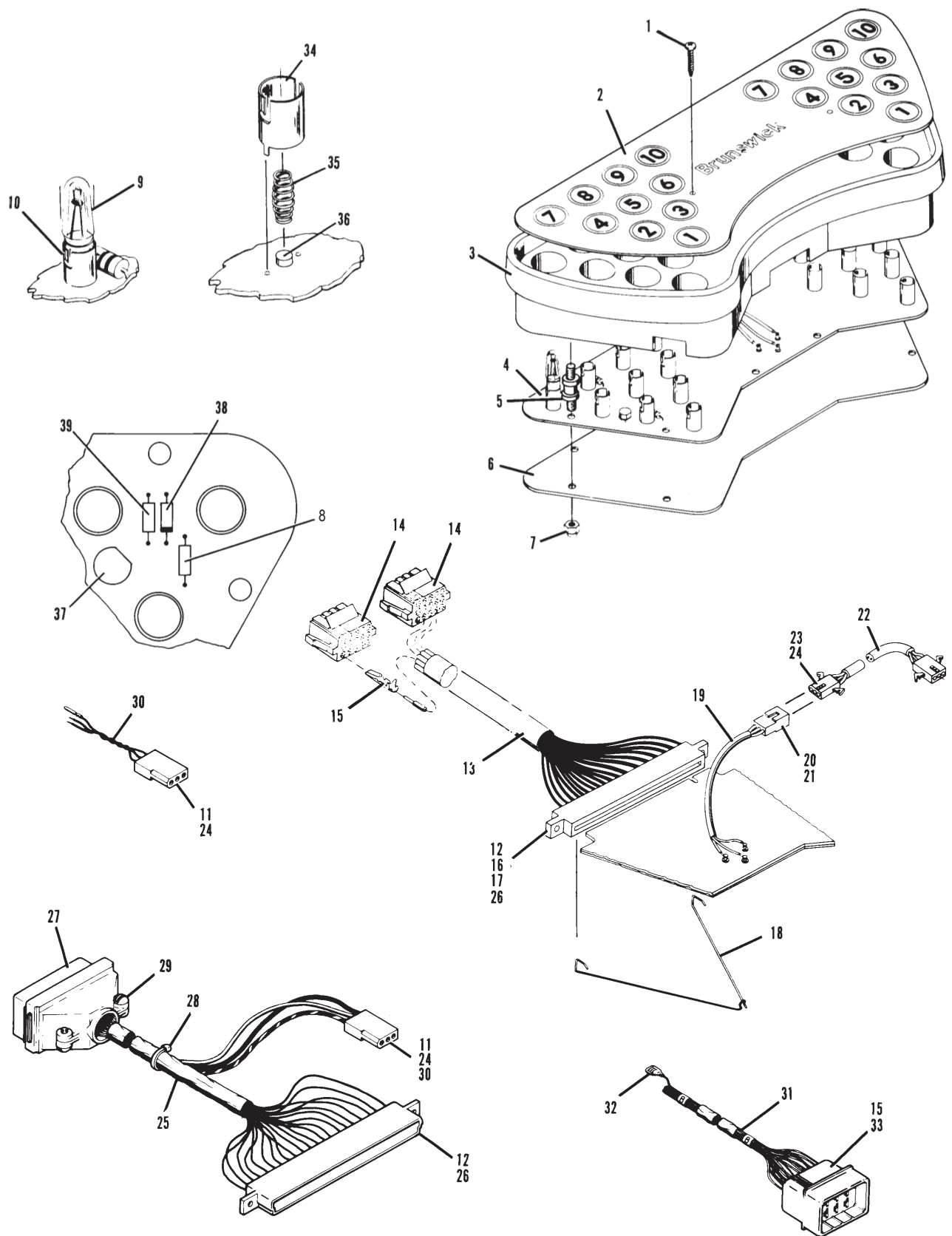
No.	Part No.		Description
1.	N.A.		C. R. Pan Hd. Machine Screw (8-32 x 3/8")
2.	N.A.		Cover Glass
3.	N.A.		Bezel (Astroline Gray)
	N.A.		Bezel (Astro 2 White)
4.	N.A.		PCB Assembly - Complete (See Note)
5.	N.A.		Rubber Mount
6.	N.A.		Guard
7.	11-170004-001		Self Locking Nut (8-32)
8.	11-691098-000	N.A.	Resistor
9.	N.A.		Lamp #47
10.	N.A.		Lampholder
11.	11-680201-000		Receptacle (3 Contacts)
12.	11-680303-000	N.A.	Terminal
13.	N.A.		Cable Assembly
14.	11-680003-000	N.A.	Connector Plug (12 Circuits)
15.	11-612301-000		Contact
16.	N.A.		Connector - (Blue)
17.	N.A.		Contacts (for Blue Connector)
18.	N.A.		Spring Clip (for Blue Connector)
	N.A.		Spring Clip (for White Connector)
19.	N.A.		Cable Assembly (8")
20.	11-680101-000		Connector Plug (3 Contacts)
21.	11-680302-000	N.A.	Terminal
	57-860032-000	R.O.	Terminal - Male (Pkg. of 10)
22.	N.A.		Cable Assembly (144")
23.	11-680203-000		Receptacle (3 Contacts)
24.	11-680301-000	N.A.	Terminal
	57-860031-000	R.O.	Terminal - Female (Pkg. of 20)
25.	N.A.		Cable Assembly - Complete
26.	N.A.		Edge Connector (22 Contacts)
27.	N.A.		Connector Plug (36 Contacts)
28.	11-603108-000	N.A.	Cable Tie (3-5/8)
29.	N.A.		Sltd. Rd. Hd. Machine Screw (6-32 x 5/16")
30.	N.A.		Cable Assembly
31.	N.A.		R.H. Pinfinder Adapter Cable
	N.A.		L.H. Pinfinder Adapter Cable
32.	11-612253-000		Faston Connector
33.	11-680503-000	N.A.	Connector (12 Circuits)
34.	N.A.		Shell
35.	N.A.		Spring
36.	N.A.		Rivet
37.	N.A.		Transistor
38.	11-693004-000	N.A.	Diode
39.	N.A.		Resistor

N.A. = No Longer Available

NOTE: Rebuilt PCB assemblies are available on a direct exchange basis. Your defective board assembly should be packaged and a copy of Brunswick Order Form (900.06) included to identify your center and shipped to:

Attn: Electronic Repair Center
 Brunswick Corporation
 525 W. Laketon Avenue
 Muskegon, MI 49443

Pinfall Display Assembly



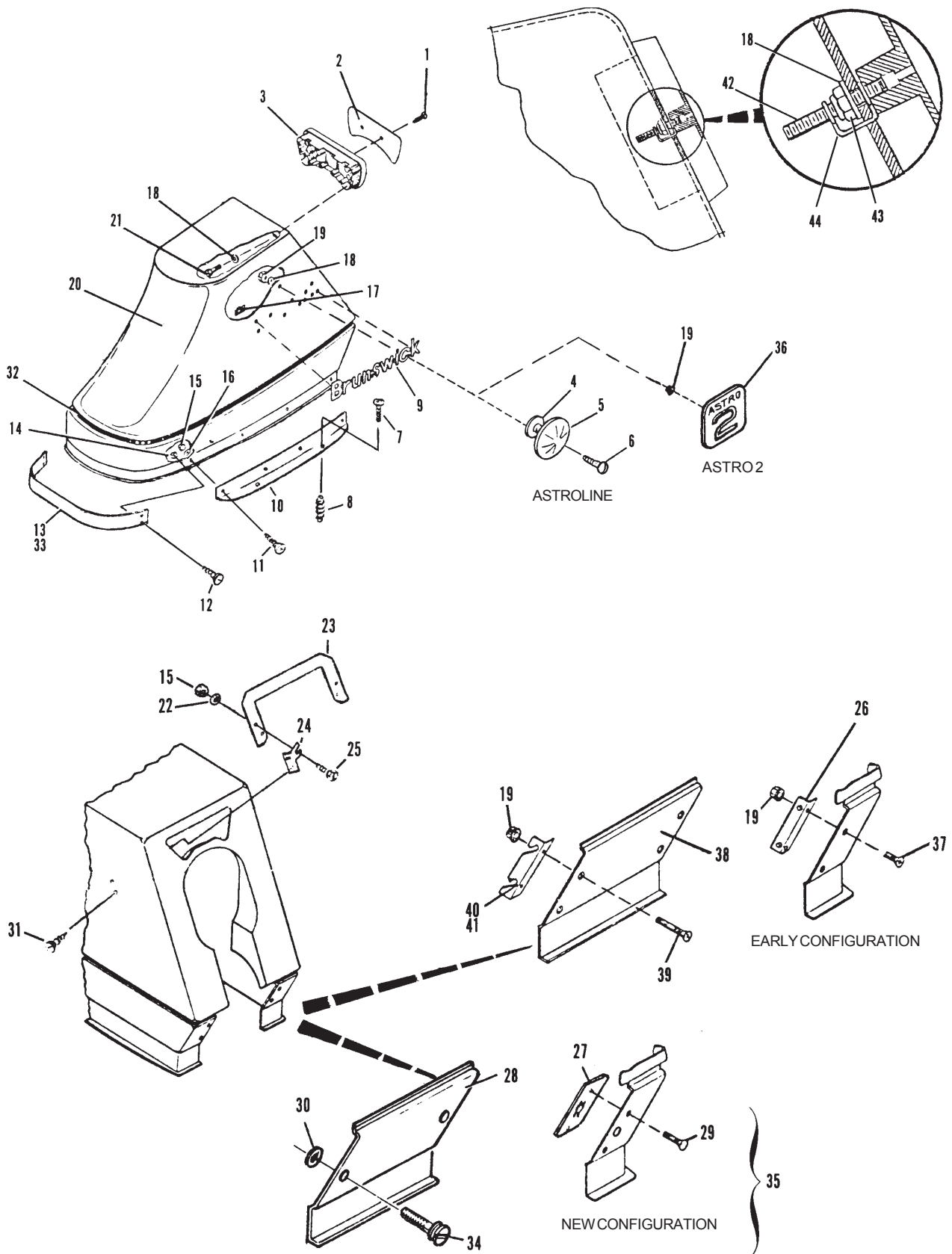
Pinfall Display Assembly

Index			Index		
No.	Part No.	Description	No.	Part No.	Description
1.	N.A.	C. R. Pan Hd. Machine Screw (8-32 x 3/8")	23.	N.A.	Hood Stabilizer
2.	N.A.	Cover Glass	24.	N.A.	Mounting Bracket
3.	N.A.	Bezel (Astroline Gray)	25.	11-001186-001	Hex Hd. Cap Screw (1/4-20 x 1-1/4")
4.	N.A.	Bezel (Astro 2 White)	26.	N.A.	Hood Bracket
5.	53-520078-003	N.A. Shim	27.	N.A.	Receptacle
5.	N.A.	Blue Emblem	28.	N.A.	Door Assembly (Astroline Gray)
	N.A.	Yellow Emblem		N.A.	Door Assembly (Astro 2 Brown)
	N.A.	Orange Emblem	29.	N.A.	Pop Rivet (1/8)
	N.A.	Green Emblem	30.	N.A.	Retainer
6.	N.A.	Ribbed Neck Carriage Bolt (10-24 x 1-1/2")	31.	N.A.	Self Tapping C.R. Flat Hd. Screw (#6 x 1/2")
7.	N.A.	C.R. T. Hd. Machine Screw w/Nylok (5/16-18 x 3/4")	32.	N.A.	Black Plastic Tape (3/8") - Roll
8.	N.A.	Taplok Insert (5/16-18)		N.A.	Blue Plastic Tape (3/8") - Roll
9.	N.A.	Name Plate (Astroline Gray)	33.	*11-676027-000	N.A. Cement (Pint) - Used w/index No. 13
10.	N.A.	Name Plate (Astro 2 Blue)		11-676047-000	Cement (Gallon)
10.	N.A.	Mounting Bracket	34.	N.A.	Screw Fastener
11.	11-026289-011	N.A. C.R. Oval Hd. Machine Screw (1/4-20 x 1")	35.	N.A.	Door Modification Kit (Astroline Gray Only)
12.	N.A.	C.R. T. Hd. Machine Screw (8-32 x 3/4")	36.	N.A.	Astro 2 Emblem
13.	N.A.	Base Moulding (Linear Feet)	37.	N.A.	C.R. Flat Hd. Machine Screw (10-24 x 3/4")
14.	11-170004-001	Self Locking Nut (8-32)	38.	N.A.	Fibreglass Door
15.	11-170007-001	Self Locking Nut (1/4-20)	39.	11-014082-001	N.A. C.R. Flat Hd. Machine Screw (10-24 x 3/8")
16.	11-190010-001	Flat Washer (1/4)	40.	N.A.	R.H. Door Bracket - Opposite
17.	N.A.	Push On Fastener	41.	N.A.	L.H. Door Bracket - Shown
18.	11-190006-001	Flat Washer (#10)	42.	N.A.	Set Screw (10-24 x 1-1/4")
19.	11-176006-001	Keps Nut (10-24)	43.	11-170104-001	Self Locking Nut (10-24)
20.	N.A.	Hood Only (Astroline Gray)	44.	N.A.	Retainer Wire
20.	N.A.	Hood Only (Astro 2 White)			
21.	N.A.	Hex Hd. Cap Screw (10-24 x 1/2")			
22.	11-190508-001	Flat Washer			

N.A. = No Longer Available

* Not Illustrated

Subway Return Power Lift Hood



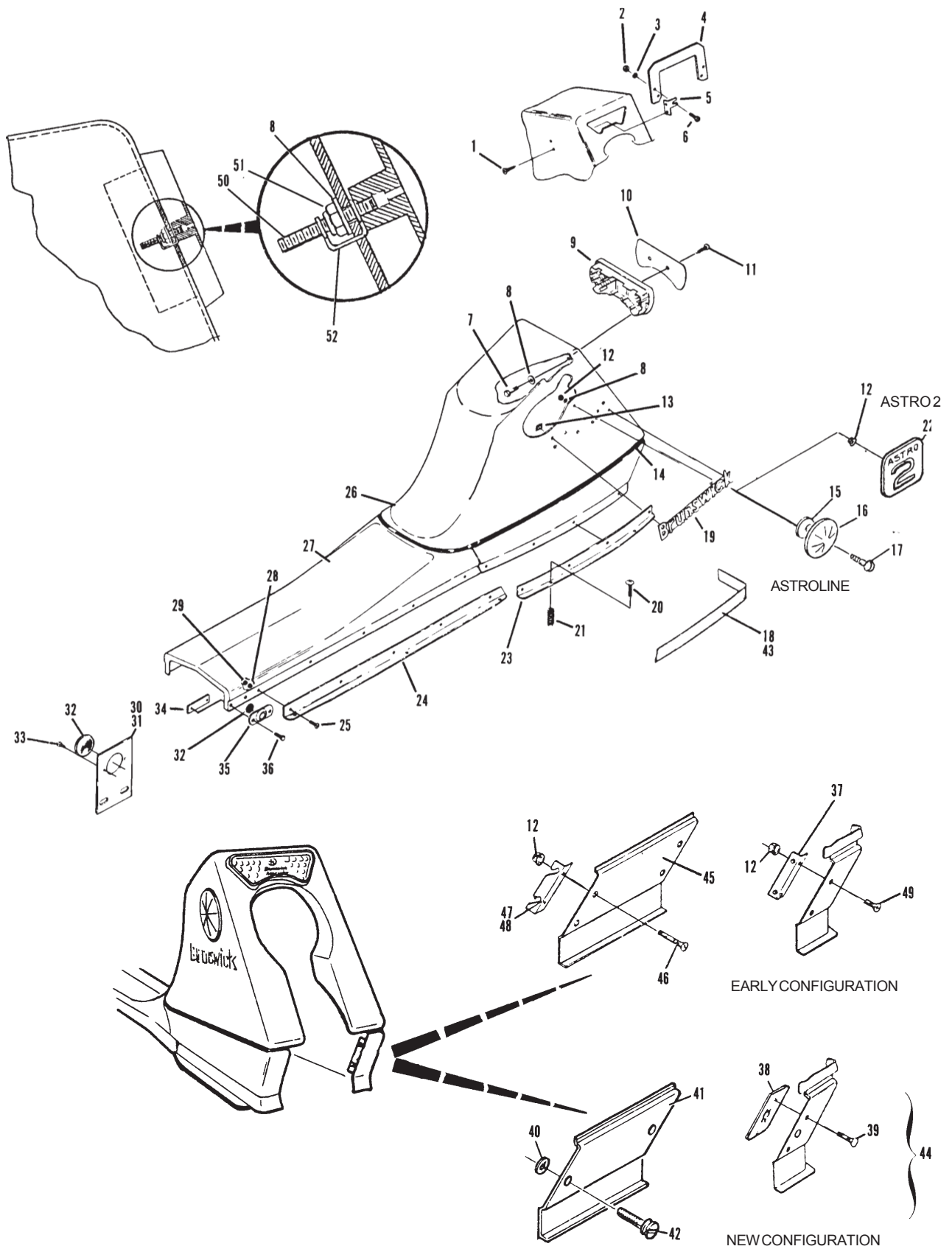
Subway Return Power Lift Hood

Index			Index		
No.	Part No.	Description	No.	Part No.	Description
1.	N.A.	Self Tapping C.R. Flat Hd. Screw (#6 x 1/2")	27.	N.A.	Rear Hood (Astroline Gray)
2.	11-170007-001	Self Locking Nut (1/4-20)	28.	N.A.	Rear Hood (Astro 2 Brown)
3.	11-190508-001	Flat Washer	29.	11-190010-001	Flat Washer (1/4)
4.	N.A.	Hood Stabilizer	30.	11-170106-001	Self Locking Nut (1/4-20)
5.	N.A.	Mounting Bracket	30.	53-600074-000	N.A. Reflector and Bracket Assembly
6.	11-001186-001	Hex Hd. Cap Screw (1/4-20 x 1-1/4")		53-860299-000	R.O. Upgrade to Tel-E-Foul Reflector Pkg.
7.	11-001058-001	N.A. Hex Hd. Cap Screw (10-24 x 1/2")	31.	53-600073-000	N.A. Bracket Only
8.	11-190006-001	Flat Washer (#10)	32.	53-600101-000	N.A. Reflector Only
9.	N.A.	Bezel (Astroline Gray)	33.	11-024524-001	N.A. C.R. T. Hd. Machine Screw w/Nylok (6-32 x 5/16")
	N.A.	Bezel (Astro 2 White)	34.	N.A.	Twin Pilot Nut (8-32)
10.	N.A.	Cover Glass	35.	N.A.	Bracket Only
11.	N.A.	C.R. Pan Hd. Machine Screw (8-32 x 3/8")	36.	11-024127-001	C.R. T. Hd. Machine Screw (8-32 x 1/2")
12.	11-176006-001	Keps Nut (10-24)	37.	N.A.	Hood Bracket
13.	N.A.	Push On Fastener	38.	N.A.	Receptacle
14.	N.A.	Black Plastic Tape (3/8") - Roll	39.	N.A.	Pop Rivet (1/8)
	N.A.	Blue Plastic Tape (3/8") - Roll	40.	N.A.	Retainer
15.	53-520078-003	N.A. Shim	41.	N.A.	Door Assembly (Astroline Gray)
16.	N.A.	Blue Emblem		N.A.	Door Assembly (Astro 2 Brown)
	N.A.	Yellow Emblem	42.	N.A.	Screw Fastener
	N.A.	Orange Emblem	43.	*11-676027-000	N.A. Cement (Pint)- to be used w/index number 18
	N.A.	Green Emblem		11-676047-000	Cement (Gallon)
17.	N.A.	Ribbed Neck Carriage Bolt (10-24 x 1-1/2")	44.	N.A.	Door Modification Kit (Astroline Gray Only)
18.	N.A.	Base Moulding (Linear Feet)	45.	N.A.	Fibreglass Door
19.	N.A.	Name Plate (Astroline Gray)	46.	11-014082-001	C.R. Flat Hd. Machine Screw (10-24 x 3/8")
20.	N.A.	C.R. T. Hd. Machine Screw w/Nylok (5/16-18 x 3/4")	47.	N.A.	R.H. Door Bracket - Opposite
21.	N.A.	Taplok Insert (5/16-18)	48.	N.A.	L.H. Door Bracket - Shown
22.	N.A.	Astro 2 Emblem	49.	N.A.	C.R. Flat Hd. Machine Screw (10-24 x 3/4")
23.	N.A.	Mounting Bracket	50.	N.A.	Set Screw (10-24 x 1-1/4")
24.	N.A.	L.H. Mounting Bracket - Shown	51.	11-170104-001	Self Locking Nut (10-24)
	N.A.	R.H. Mounting Bracket - Opposite	52.	N.A.	Retainer Wire
25.	N.A.	C.R. Oval Hd. Machine Screw (1/4-20 x 3/4")			
26.	N.A.	Front Hood (Astroline Gray)			
	N.A.	Front Hood (Astro 2 White and Brown)			

N.A. = No Longer Available
R.O. = Replacement Option

* Not Illustrated

Concealed Surface Hood



Concealed Surface Hood

Index

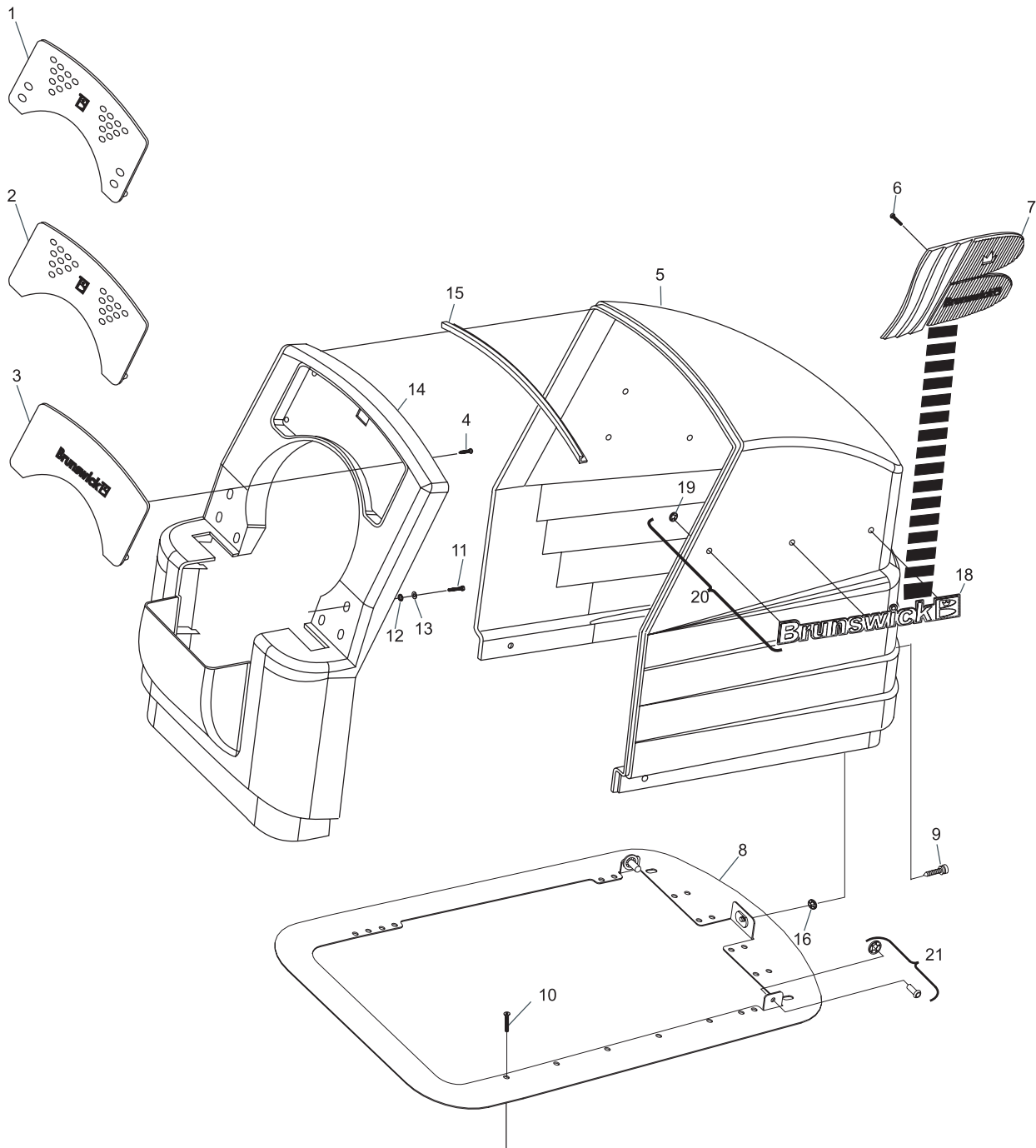
No.	Part No.		Description
1.	53-400052-000	N.A.	Player Control Station
2.	53-400053-000	N.A.	Pinfall Display
3.	*53-400009-XXX		Throat Decorative Insert (Dark Gray w/Silver)
	53-400009-229		Throat Decorative Insert (Graphite w/Silver)
	53-400009-205		Throat Decorative Insert (Black w/Black Logo)
4.	11-082703-001		Type "B" C.R. Pan Hd. Screw (#12-14 x 1/2")
5.	53-861034-002		Ball Return Hood Assembly (includes Index No. 15) - Silver
	53-860937-000		Ball Return Hood Assembly (Gray) includes Index No. 15
	53-861034-205		Ball Return Hood Assembly (Black) includes Index No. 15
6.	11-082683-001		Type "B" C.R. Pan Hd. Screw (#10-16 x 3/8")
7.	*53-400048-xxx		Side Logo Assembly
	53-400048-227		Side Logo Assembly (Black)
8.	53-866035-000	S.O.	Flange - Ball Lift Hood includes Index Nos. 10, 9, and 16 (Dark Gray)
	53-866035-003		Flange - Ball Lift Hood includes Index Nos. 10, 9, and 16 (Graphite)
9.	11-690544-000		Knurled Captive Screw (1-1/2")
10.	11-081201-000		Robertson Flat Hd. Socket Screw (#10 x 1-1/2")
11.	11-001182-001		Hex Head Cap Screw (1/4-20 x 3/4")
12.	11-195014-001		Lockwasher (1/4")
13.	11-191010-001		Flat washer (1/4")
14.	53-861027-000	N.A.	Throat - Ball Rack (Gray)
	53-861039-000	N.A.	Pkg. Throat (Dark Gray)
	53-861126-000	R.O.	Pkg. Throat (Dark Gray)
	53-861039-003	N.A.	Pkg. Throat (Graphite)
	53-861126-003	R.O.	Pkg. Throat (Graphite)
	53-861126-205	R.O.	Pkg. Throat (Black)
15.	53-400044-000		Hood Lip Trim
16.	11-690545-000		Captive Screw Retainer
17.	*53-861090-XXX		Ball Return Color Kit (includes Index Nos. 3 and 7, wear strip, ball rail extrusion and decal vent. Not Illustrated
	53-861122-002		Color Kit (Graphite w/Silver)
	53-861090-227		Color Kit (Dark Gray w/Silver)
18.	53-400092-000	N.A.	Brunswick Side Logo Assembly (designed for Black Hoods and Silver Hoods only) - See Index #20
19.	11-532001-009	N.A.	Retaining Clip - See Index #20
20.	53-860648-000		Pkg. - Brunswick Side Plate Logo (includes 3 Retaining Clips 11-532001-009) part not sold separately
21.	53-520723-000		Ball Lift Hood Retainer & Clip (Pkg. of 2)

S.O. = Special Order
 N.A. = No Longer Available
 R.O. = Replacement Option

* Color Chart

Part No. Suffix	Primary Color	Secondary Color
-220	BLUEBERRY	BANANA accent
-221	KIWI	BLUEBERRY accent
-222	CRANBERRY	BANANA accent
-223	GRAPE	KIWI accent
-224	BANANA	GRAPE accent
-225	STRAWBERRY	BANANA accent

Framework Hood



Framework Hood

Intentionally Blank Page

Section M

POWER LIFTS

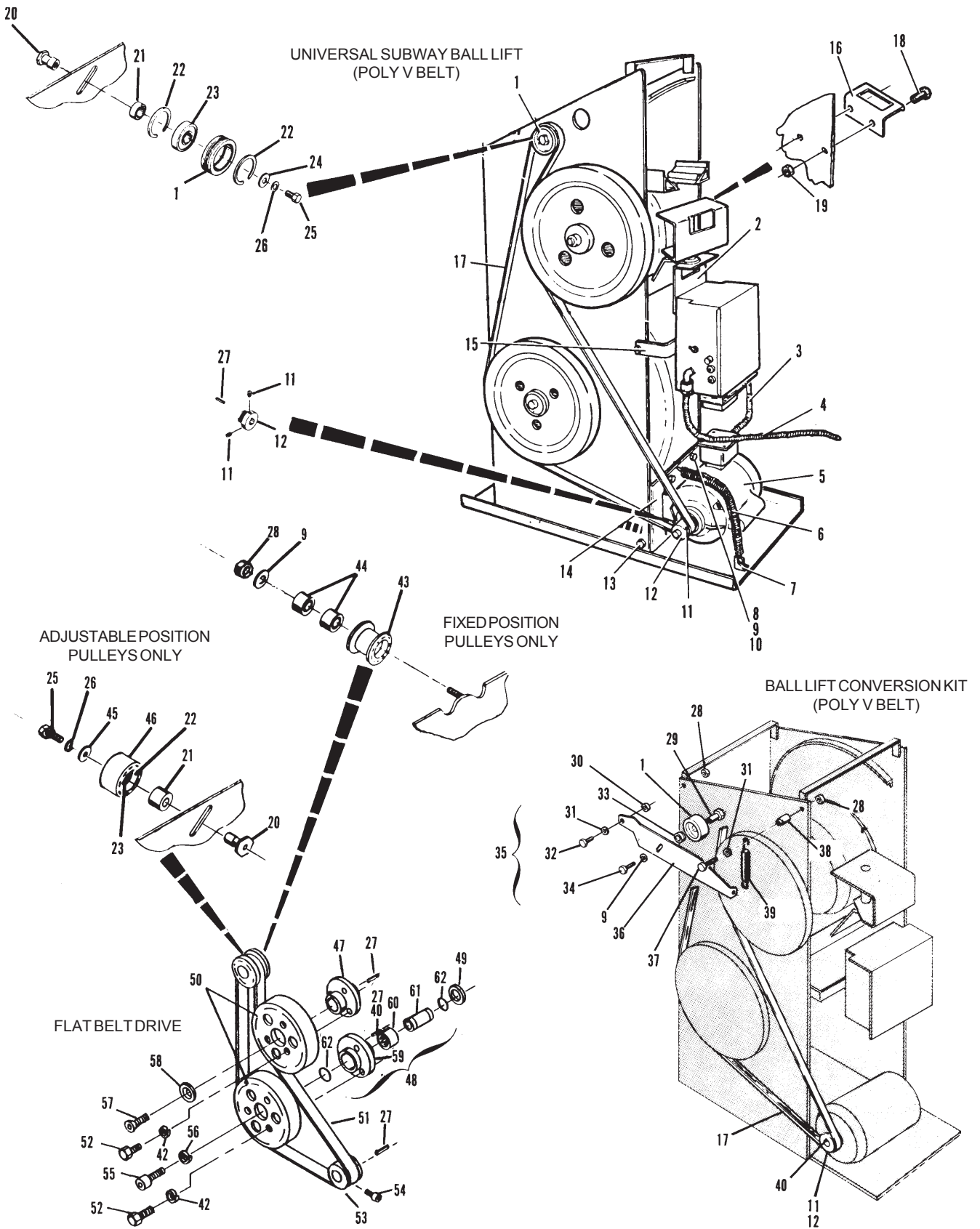
Index			Index		
No.	Part No.	Description	No.	Part No.	Description
1.	53-520244-000	Poly V Idler Assembly	32.	11-001264-001	Hex Hd. Cap Screw (5/16-18 x 1")
2.	53-520205-000	N.A. Mounting Bracket	33.	53-520306-000	Spacer
3.	53-520212-000	Cable Assembly	34.	11-001909-001	Hex Hd. Cap Screw (5/16-18 x 1")
4.	53-600149-000	Wire Harness Assembly	35.	53-860431-000	Poly V Conversion Kit
5.	53-860322-010	Motor (1/4 H.P. 115/230 Volt 50/60 Hz) - See Note	36.	53-520300-000	Idler Arm
	53-860322-000	N.A. Motor (1/4 H.P. 115/230 Volt 50/60 Hz) - See Note	37.	11-001270-001	Hex Hd. Cap Screw (5/16-18 x 1-3/4")
6.	53-520234-000	Tension Spring	38.	53-520304-000	Spring Post
7.	53-520231-000	Spring Anchor	39.	53-520301-000	Tension Spring
8.	11-001262-001	Hex Hd. Cap Screw (5/16-18 x 3/4")	40.	10-621058-000	Square Key (3/16 x 3/16 x 1-5/16")
9.	11-190012-001	Flat Washer (5/16)	41.	N.A.	Motor Mount Conversion Kit - Not Illustrated (See Note)
10.	11-170108-001	Self Locking Nut - Thin (5/16-18)	42.	11-195015-001	Lockwasher (5/16)
11.	11-101202-001	Set Screw (5/16-18 x 3/8")	43.	24-200775-000	Idler Pulley (Model A) - Aluminum
12.	53-520159-000	Poly V Sheave (1-5/8" Dia.)		24-204380-000	N.A. Idler Pulley (Model A-2) - Nylon
	53-520582-000	Poly V Sheave (1" Dia.)	44.	11-430032-000	Bearing
13.	10-003007-000	Body Fit Hex Hd. Bolt (5/16-18 x 1-1/4")	45.	11-190014-001	Flat Washer (3/8)
14.	53-520228-000	Motor Support	46.	*24-205125-000	N.A. Idler Pulley Assembly
15.	53-520241-000	Standoff Bracket	47.	53-520064-000	Hub
16.	N.A.	Mounting Bracket	48.	53-860555-000	Clutch Assembly
17.	53-520235-000	Poly V Belt	49.	53-520088-000	Spacer
18.	11-001180-001	Hex Hd. Cap Screw (1/4-20 x 5/8")	50.	53-520063-000	Pulley
19.	11-170007-001	Self Locking Nut (1/4-20)	51.	24-200947-000	Flat Drive Belt
20.	53-520071-000	Bearing Stud	52.	11-001258-001	Hex Hd. Cap Screw (5/16-18 x 1/2")
	53-520071-001	Bearing Stud - Metric	53.	*24-200773-000	N.A. Motor Pulley (1-17/64" Dia.) - Model A
21.	53-520072-000	Spacer		24-204378-000	Motor Pulley (1-29/32" Dia.) - Model A-2
22.	11-530531-000	Retaining Ring	54.	15-600946-000	N.A. Set Screw (10-32 x 1/2")
23.	11-430028-000	Bearing	55.	11-005184-001	Hex Socket Hd. Cap Screw (1/4-20 x 1")
24.	11-190514-001	Flat Washer	56.	11-195014-001	Lockwasher (1/4)
25.	11-001342-001	Hex Hd. Cap Screw (3/8-16 x 3/4")	57.	11-008148-001	Flat Socket Hd. Cap Screw (1/4-20 x 3/4")
26.	11-195016-001	Lockwasher (3/8)	58.	53-520069-000	Retaining Washer
27.	10-620057-000	Square Key (3/16 x 3/16 x 1-1/4")	59.	53-520422-000	N.A. Outer Hub
28.	11-170009-001	Self Locking Nut (5/16-18)	60.	11-500552-000	Clutch and Bearing
29.	53-520302-000	Bearing Stud	61.	53-520421-000	Inner Ring
30.	53-520303-000	Spacer	62.	11-533019-000	Retaining Ring
31.	11-190529-001	Flat Washer			

N.A. = No Longer Available

NOTE: If your ball lift is equipped with a 1140 RPM motor, order 53-860322-010. If your ball lift is equipped with a 1725 RPM motor or was originally supplied with a flat belt drive, replacement options are no longer available. The new style motor will not fit on the old mouting plate.

* Can convert to Flat Belt Poly "V" with conversion kit 53-860431-000 index No. 35.

Universal Poly V Subway Ball Lift, Flat Belt Drive (A & A-2) & Conversion Kit



Universal Poly V Subway Ball Lift,
Flat Belt Drive (A & A-2) & Conversion Kit

Index			Index		
No.	Part No.	Description	No.	Part No.	Description
1.	N.A.	Wire Clip (5/8)	41.	11-195015-001	Lockwasher (5/16)
2.	53-520243-000	Spacer	42.	53-520060-000	Tire and Rim Assembly
3.	11-170009-001	Self Locking Nut (5/16-18)	43.	53-520066-000	Shaft Assembly
4.	N.A.	Transition Extrusion	44.	10-620057-000	Square Key (3/16 x 3/16 x 1-1/4")
5.	53-520075-000	N.A. Rubber and Plate Assy.	45.	11-430013-000	Bearing
	90-520075-600	R.O. AP Urethane Transition Track	46.	53-520067-000	Spacer
6.	11-001180-001	Hex Hd. Cap Screw (1/4-20 x 5/8")	47.	53-520068-000	Housing
7.	11-170007-001	Self Locking Nut (1/4-20)	48.	11-430042-000	Bearing
8.	10-621058-000	Square Key (3/16 x 3/16 x 1-5/16")	49.	53-520069-000	Retaining Washer
9.	11-125202-001	Hex Jam Nut (5/16-18)	50.	15-651243-000	N.A. Retaining Ring
10.	11-001262-001	Hex Hd. Cap Screw (5/16 -18 x 3/4")	51.	53-520088-000	Spacer
11.	11-605023-000	N.A. Wire Clip (7/16)	52.	11-008148-001	Hex Socket Hd. Cap Screw w/Nylok (1/4-20 x 3/4")
12.	53-520085-000	N.A. Coupling Assembly	53.	53-860555-000	Clutch Assembly
13.	53-520092-000	N.A. Rubber Washer	54.	53-520063-000	Pulley
14.	11-422021-000	N.A. Thrust Bearing	55.	90-520060-000	Urethane Ball Wheel
15.	53-520091-000	Rubber Sleeve (1-3/8" Dia. x 1/4" Thick)	56.	11-195014-001	Lockwasher (1/4)
	N.A.	Rubber Sleeve (1-3/8" Dia. x 3/4" Thick)	57.	11-005184-001	Hex Socket Hd. Cap Screw (1/4-20 x 1")
16.	N.A.	Support Brace		11-002005-001	Heat Treated Hex Hd. Cap Screw (1/4-20 x 1-1/4")
17.	53-520090-000	N.A. Coupling Bushing (13/16" Dia. x 15/16" Long)	58.	11-001263-001	Hex Hd. Cap Screw (5/16-18 x 7/8")
	24-200756-000	Coupling Bushing (13/16" Dia. x 1-1/2" Long)	59.	53-860322-010	Motor (1/4 H.P. 115/230V 50/60 Hz) - See Note
18.	53-520089-000	Washer		53-860322-000	N.A. Motor (1/4 H.P. 115/230V 50/60 Hz) - See Note
19.	11-195020-001	Lockwasher (5/8)	60.	11-191012-001	Flat Washer (5/16)
20.	11-001674-001	Hex Hd. Cap Screw (5/8-11 x 2-1/2")	61.	11-111459-000	N.A. Stud Fastener (1/2-13)
	N.A.	Hex Hd. Cap Screw (5/8-11 x 3")	62.	53-520027-000	Motor Sheave (2.25 O.D.)
21.	11-170011-001	Self Locking Nut (3/8-16)	63.	53-520049-000	Motor Support
22.	11-001344-001	Hex Hd. Cap Screw (3/8-16 x 1")		53-860468-000	N.A. Motor Support Conversion Kit (See Note)
23.	11-195018-001	Lockwasher (1/2)	64.	53-520064-000	Hub
24.	N.A.	Flat Washer	65.	11-190530-001	Flat Washer
25.	11-111554-000	N.A. Concrete Fastener (1/2-13)	66.	11-002004-001	Heat Treated Hex Hd. Cap Screw (1/4-20 x 1")
26.	53-520078-002	N.A. Shim (18 Ga.)	67.	53-520071-000	Bearing Stud
	53-520078-003	N.A. Shim (12 Ga.)		53-520071-001	Bearing Stud - Metric
27.	53-520032-000	N.A. Base Plate Assembly	68.	53-520072-000	Spacer
28.	11-001512-000	Hex Hd. Cap Screw (1/2-13 x 2")	69.	11-530531-000	Retaining Ring
29.	N.A.	L.H. Side Plate Assembly	70.	11-430028-000	Bearing
30.	N.A.	R.H. Side Plate Assembly	71.	53-520025-000	N.A. Idler Sheave Only
31.	N.A.	Brace		53-520026-000	R.O. Idler Assembly
32.	53-520146-002	N.A. R.H. Track Assembly - Complete	72.	53-520026-000	Idler Assembly
	53-520678-000	R.O. R.H. Track Assembly	73.	11-190514-001	Flat Washer
33.	53-520146-003	N.A. L.H. Track Assembly - Complete	74.	11-195016-001	Lockwasher (3/8)
	53-520679-000	R.O. L.H. Track Assembly	75.	11-001342-001	Hex Hd. Cap Screw (3/8-16 x 3/4")
34.	53-520171-000	Rubber Track	76.	**10-635317-000	N.A. V-Belt
	N.A.	Cement (Quart)	77.	90-520171-000	Urethane Ball Track Assembly (One Piece)
	*11-676047-000	Cement (Gallon)	78.	11-001268-001	Hex. Hd. Cap Screw (5/16-18 x 1-1/2")
35.	53-520172-000	Leather Track	79.	11-505104-000	N.A. Tolerance Ring
36.	53-520058-000	N.A. Doubler	80.	N.A.	Tolerance Ring
37.	53-520094-001	Bracket	81.	11-533019-000	Retaining Ring
38.	11-019654-001	Sems Hex Hd. Machine Screw (10-32 x 1/2")	82.	53-520422-000	N.A. Outer Hub
39.	11-155101-000	Spline Nut (10-32)	83.	11-500552-000	Clutch and Bearing
40.	11-001258-001	Hex Hd. Cap Screw (5/16-18 x 1/2")	84.	53-520421-000	Inner Ring

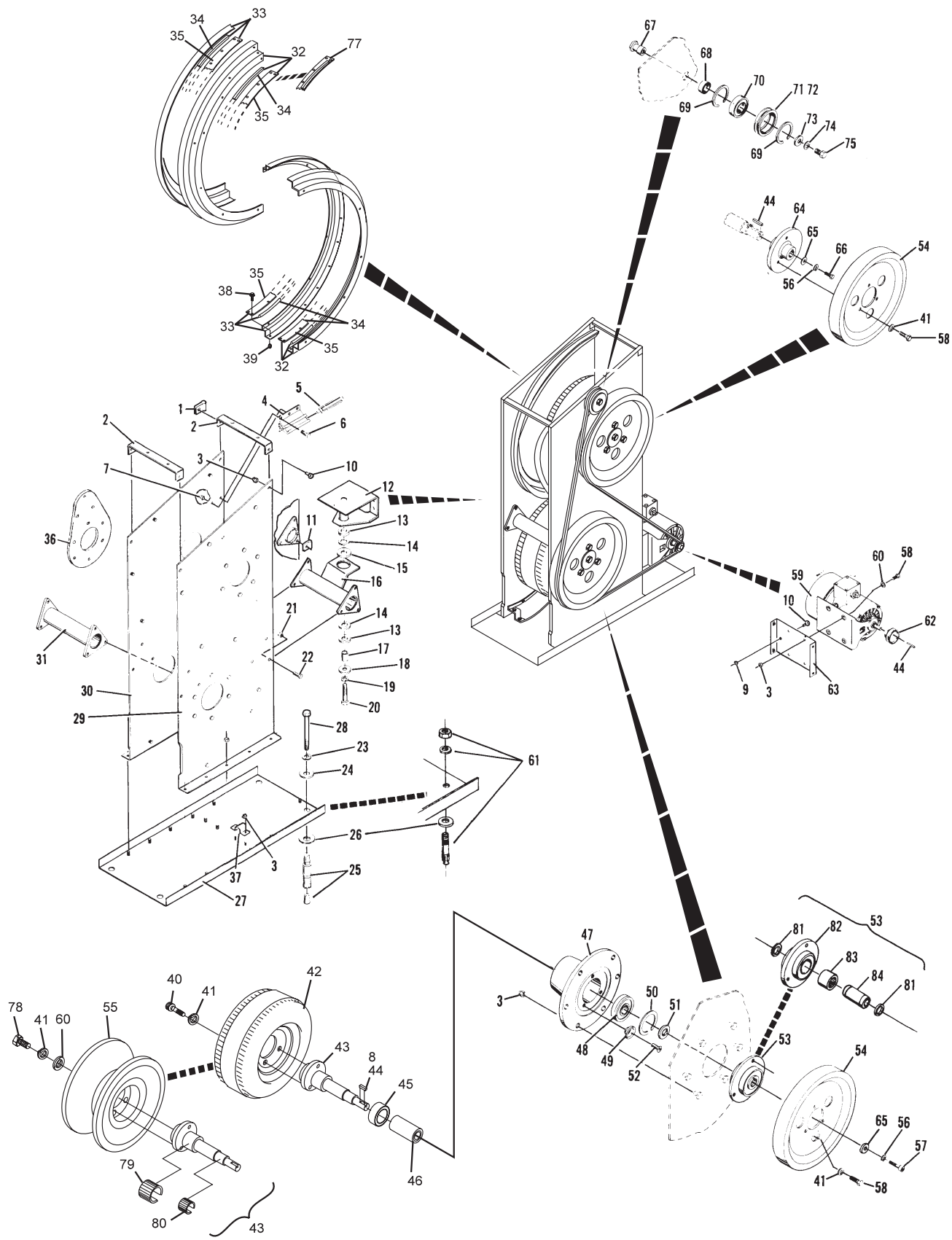
** Not Illustrated

N.A. = No Longer Available
R.O. = Replacement Option

* Use Index No. 34 cement to bond 53-520171-000 rubber track to metal track.

NOTE: If your ball lift is equipped with a 1140 RPM motor, order 53-860322-010. If your ball lift is equipped with a 1725 RPM motor or was originally supplied with a flat belt drive, replacement options are no longer available. The new style motor will not fit on the old mounting plate.

Subway Power Lift Assembly - "V" Belt



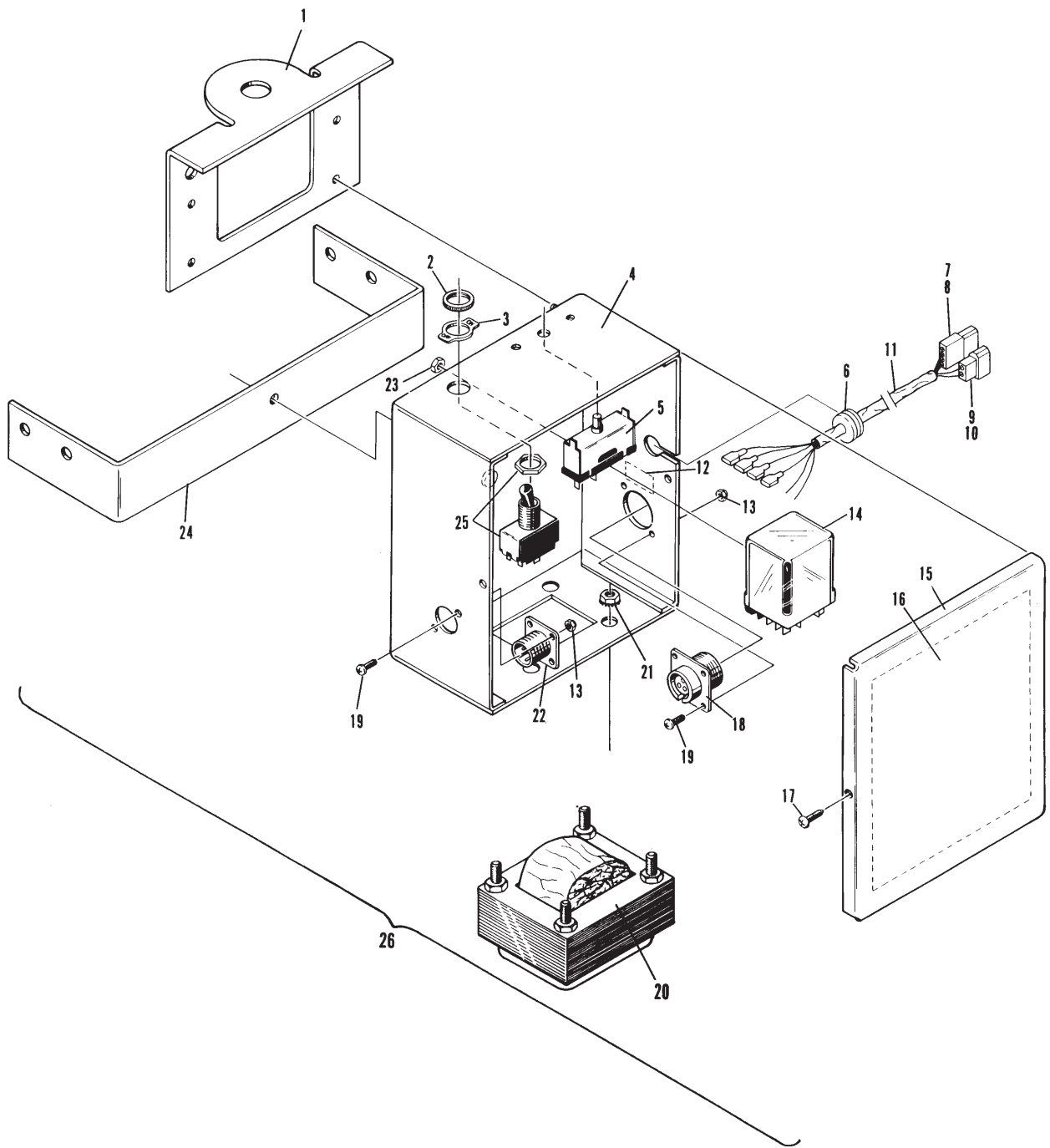
Subway Power Lift Assembly - "V" Belt

Index

No.	Part No.		Description
1.	53-520205-000	N.A.	Mounting Bracket
2.	11-125360-001	N.A.	Electrical Face Nut
3.	11-616602-000		Indicating Plate
4.	N.A.		Box Only
5.	11-685201-000		Circuit Breaker
6.	11-611015-000		Strain Relief
7.	11-680116-000		Connector (2 Contacts)
8.	11-680302-000	N.A.	Terminal
	57-860032-000	R.O.	Terminal - Male (Pkg. of 10)
9.	11-680217-000		Connector
10.	11-680301-000	N.A.	Terminal
	57-860031-000	R.O.	Terminal - Female (Pkg. of 20)
11.	N.A.		Control Box Cable Assembly
12.	N.A.		"Line" Decal
13.	11-170000-001		Self Locking Nut (#4-40)
14.	11-697103-000		Relay (24V)
15.	53-520598-000	N.A.	Box Cover
16.	N.A.		Circuit Label
17.	11-082232-001		Truss Hd. Self Tapping Screw (#6 x 1/2")
18.	11-678905-000		Receptacle (3 Contacts)
19.	11-012253-001		C.R. Pan Hd. Machine Screw (#4-40 x 5/16")
20.	53-100322-000		Transformer Assembly
21.	11-176007-001		Keps Nut (#8-32)
22.	11-678903-000		Receptacle (3 Contacts)
23.	11-176005-001		Self Locking Nut - Thin (#6-32)
24.	N.A.		Standoff Bracket
25.	11-615502-000		Switch
26.	53-520600-091	N.A.	Box Assembly - Complete (115V)
	N.A.		Box Assembly - Complete (230V)
	53-520600-093		Box Assembly - Complete (208V)

N.A. = No Longer Available

**Ball Lift Control Box Assembly
For Pan Style Rack**

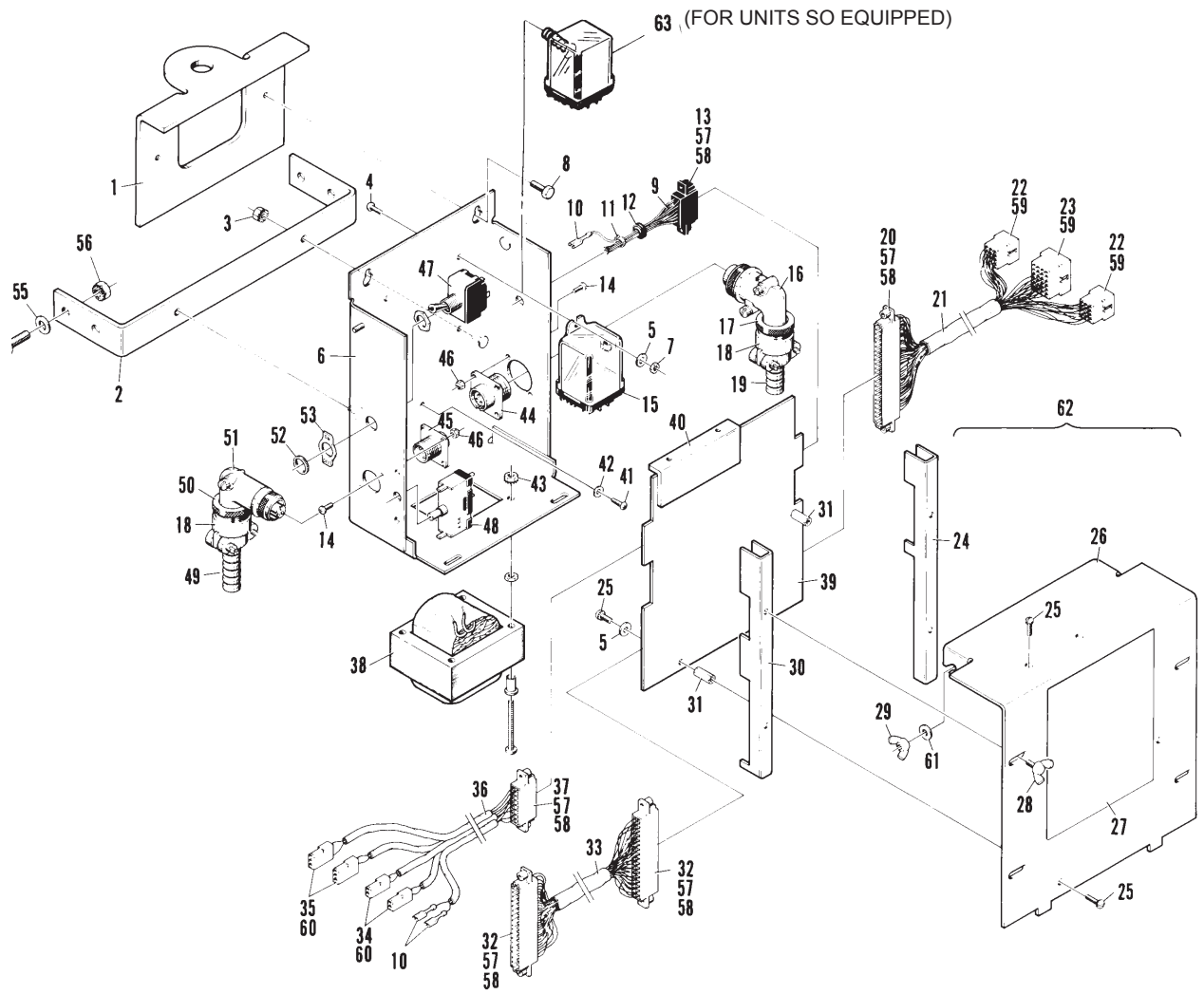


**Ball Lift Control Box Assembly
For Pan Style Rack**

Index			Index		
No.	Part No.	Description	No.	Part No.	Description
1.	53-520205-000	N.A. Mounting Bracket	33.	N.A.	Pinfall Display Cable Assembly
2.	53-520241-000	Standoff Bracket	34.	11-680216-000	Receptacle (2 Contacts)
3.	11-170004-001	Self Locking Nut (8-32)	35.	11-680201-000	Receptacle (3 Contacts)
4.	11-013021-001	N.A. Slt'd. Pan Hd. Machine Screw (6-32 x 5/16")	36.	N.A.	Ball Rack Cable Assy.
5.	11-190002-001	Flat Washer (#6)	37.	11-696803-000	Edge Connector (8 Contacts)
6.	53-520500-091	Control Box Assembly less Cover (115 V)	38.	53-100436-000	Transformer Assembly (110 VAC to 24 VAC)
	N.A.	Control Box Assembly less Cover (230 V)	39.	53-860711-000	N.A. PCB Assembly- Non-Latching Deck Switch
	N.A.	Box Only		N.A.	PCB Assembly
7.	N.A.	Self Locking Nut (6-32)	40.	53-520504-000	Latching Deck Switch
8.	N.A.	Hex Hd. Cap Screw (10-24 x 3/8")	41.	N.A.	Logic Card MT Angle Self Tapping C.R. Rd. Hd. Screw (#6 x 3/8")
9.	53-520525-000	Harness Assembly - Complete	42.	11-198001-001	External Tooth Lockwasher (#6)
10.	11-612252-000	N.A. Receptacle	43.	11-176007-001	Keps Nut (8-32)
11.	11-603108-000	N.A. Cable Tie (3-5/8")	44.	11-678905-000	Receptacle (3 Contacts)
12.	11-651006-000	N.A. Grommet (3/8)	45.	11-678903-000	Receptacle (3 Contacts)
13.	11-696802-000	Edge Connector (6 Contacts)	46.	11-170000-001	Self Locking Nut (4-40)
14.	11-012253-001	C.R. Pan Hd. Machine Screw (4-40 x 5/16")	47.	11-615502-000	Toggle Switch
15.	11-697101-000	Relay (24 V)	48.	11-685201-000	Circuit Breaker
16.	11-678906-000	N.A. 90° Angle Plug	49.	53-600149-000	Power Cable Assembly
	11-623001-000	R.O. 90° Angle Plug	50.	32-201654-000	Cable Clamp Adapter
17.	N.A.	Cable Clamp Adapter	51.	11-678904-000	90° Angle Plug
18.	11-605128-000	Cable Clamp	52.	11-125360-001	N.A. Face Nut (15/32 -32)
19.	53-520212-000	Motor Cable Assembly	53.	11-616602-000	Indicating Plate (Off-On)
20.	11-696813-000	N.A. Edge Connector (22 Contacts)	54.	11-001183-001	Hex Hd. Cap Screw (1/4 -20 x 7/8")
21.	N.A.	Lane Cable Assembly	55.	11-191010-001	Flat Washer (1/4)
22.	11-680108-000	N.A. Connector Plug (12 Contacts)	56.	11-170007-001	Self Locking Nut (1/4-20)
23.	11-680112-000	Connector Plug (24 Contacts)	57.	11-696926-000	Terminal
24.	53-520503-002	N.A. R.H. Clamp	58.	11-680425-000	N.A. Connector Key
25.	11-017522-001	N.A. Sems Slt'd. Rd. Hd. Machine Screw (6-32 x 3/8")	59.	11-680302-000	N.A. Terminal
			60.	57-860032-000	R.O. Terminal - Male (Pkg. of 10)
				11-680301-000	N.A. Terminal
				57-860031-000	R.O. Terminal - Female (Pkg. of 20)
26.	53-520502-000	N.A. Cover Only	61.	11-190004-001	Flat Washer (#8)
27.	N.A.	Schematic Decal	62.	N.A.	Control Box Cover Assy. (Latching Deck Switch)
28.	11-045053-001	N.A. Thumb Screw (8-32)		N.A.	Control Box Cover Assy. (Non-Latching Deck Switch)
29.	11-149028-001	N.A. Wing Nut (8-32)			Relay (24V) for units so equipped
30.	53-520503-003	N.A. L.H. Clamp	63.	11-697103-000	
31.	11-185304-000	N.A. Hex Threaded Spacer (6-32 x 5/8")			
32.	11-696811-000	N.A. Edge Connector (18 Contacts)			

N.A. = No Longer Available
R.O. = Replacemnt Option

"2000" Ball Lift Control Box



“2000” Ball Lift Control Box

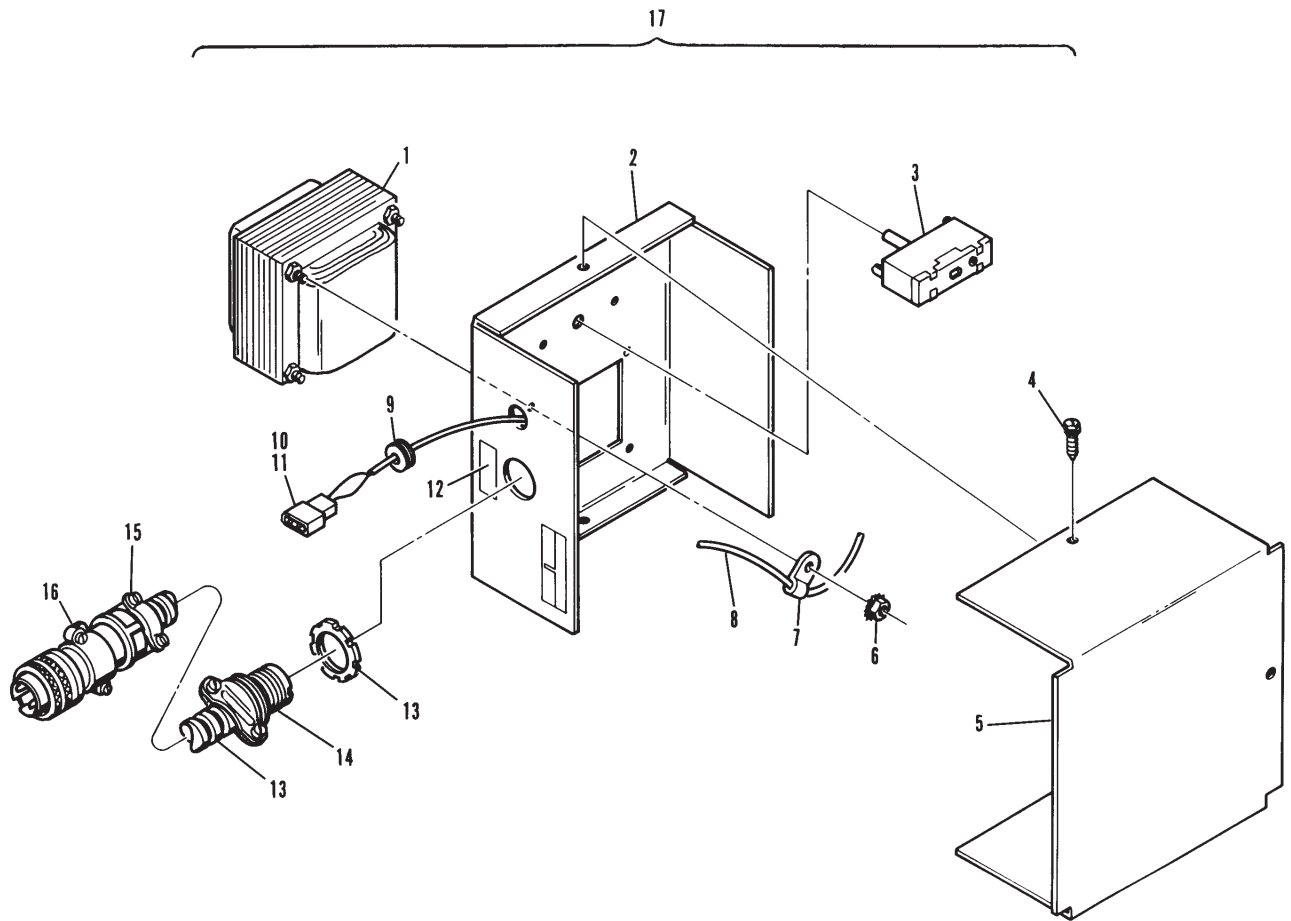
Index

No.	Part No.		Description
1.	53-100322-000		Transformer
2.	N.A.		Fan Conversion Cover
3.	11-685201-000		Circuit Breaker
4.	N.A.		Hex Washer Hd. Tapping Screw (#8 x 3/8")
5.	N.A.		Fan Conversion Box
6.	11-176007-001		Keps Nut (#8-32)
7.	11-604001-000		Cable Clamp
8.	53-520592-000	N.A.	Fan Cable Assembly
9.	11-651009-000	N.A.	Grommet (1/4")
10.	11-680302-000	N.A.	Molex Terminal
	57-860032-000	R.O.	Terminal - Male (Pkg. of 10)
11.	11-680116-000		Molex Receptacle
12.	N.A.		"Line" Decal
13.	N.A.		Cable Assembly
14.	11-602104-000	N.A.	Box Connector
15.	11-605128-000		Cable Clamp
16.	11-678901-000		Connector Plug
17.	53-860687-000	N.A.	Fan Conversion Box Assembly - Complete

N.A. = No Longer Available

NOTE: To convert 115VAC to 24VAC order part number 53-860331-000
Signal adapter Kit.

Fan Conversion Box Assembly



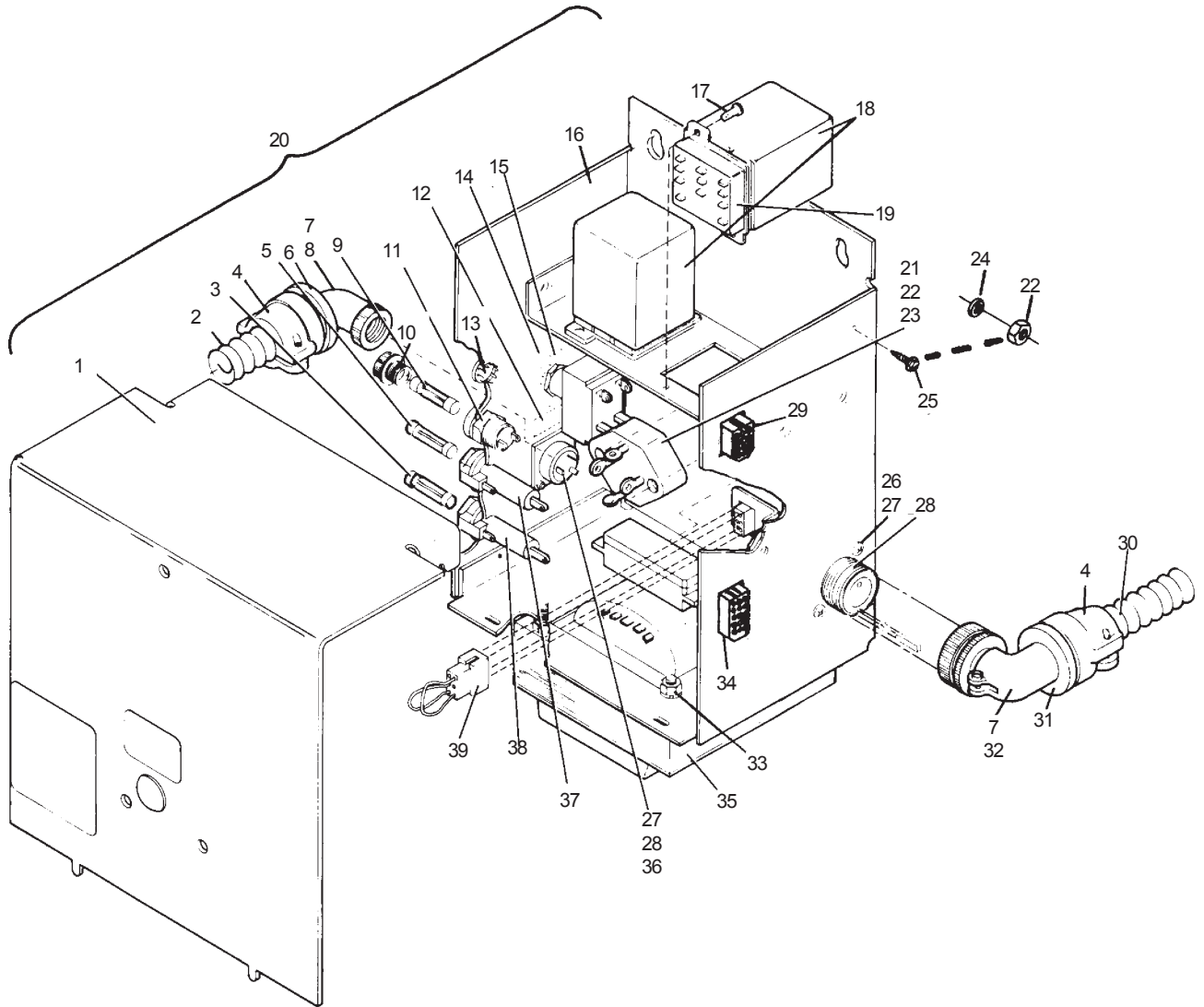
Fan Conversion Box Assembly

Index

No.	Part No.	Description
1.	N.A.	Cover
2.	53-600149-000	Wire Harness
3.	N.A.	Fuse (3.2 Amp)
4.	11-605128-000	Cable Clamp
5.	11-685013-000	Fuse (5 Amp)
6.	32-201654-000	Cable Clamp Adapter
7.	N.A.	Insulating Sleeve
8.	11-678904-000	90° Connector Plug
9.	11-685021-000	Fuse (2 Amp)
10.	N.A.	Fuse Cap Only
11.	53-600056-000	Fuseholder Assembly
12.	N.A.	Decal
13.	N.A.	Plug Button
14.	11-615502-000	Toggle Switch
15.	11-616602-000	Indicating Plate (On-Off)
16.	N.A.	Control Box Only
17.	N.A.	Self-Tapping C.R. Rd. Hd. Screw (#6 x 3/8")
18.	11-672600-000	Relay (24V)
19.	N.A.	Relay Socket (1/8" Wide Contact)
	11-672627-000	Relay Socket (3/16" Wide Contact)
20.	N.A.	Control Box Assembly - Complete
21.	N.A.	C.R. Rd. Hd. Machine Screw (4-40 x 5/8")
22.	11-170004-001	Self-Locking Nut (#8-32)
23.	N.A.	Bridge Rectifier
24.	11-190004-001	Flat Washer (#8)
25.	11-018003-001	C.R. Rd. Hd. Machine Screw (4-40 x 5/16")
26.	11-012253-001	C.R. Pan Hd. Machine Screw (4-40 x 5/16")
27.	11-170000-001	Self Locking Nut (4-40)
28.	11-678905-000	Receptacle (3 Contacts)
29.	11-680108-000	N.A. Connector Plug (12 Contacts)
30.	53-520212-000	Cable Assembly
31.	N.A.	Cable Clamp Adapter
32.	11-678906-000	N.A. 90° Angle Plug
33.	11-176007-001	Keys Nut (8-32)
34.	N.A.	Connector Plug (15 Contacts)
35.	N.A.	Transformer
36.	11-678903-000	Receptacle (3 Contacts)
37.	N.A.	Fuseholder (3.6 to 5 Amps)
38.	N.A.	Fuseholder (2.5 to 3.5 Amps)
39.	53-600119-002	N.A. Plug Assembly (110 VAC, 50/60 Hz)
	N.A.	Plug Assembly (115 VAC, 50/60 Hz)
	53-600119-004	N.A. Plug Assembly (200 VAC, 50/60 Hz)
	53-600119-005	N.A. Plug Assembly (250 VAC, 50/60 Hz)

N.A. = No Longer Available

**Power Lift Control Box
AMF Adapter**



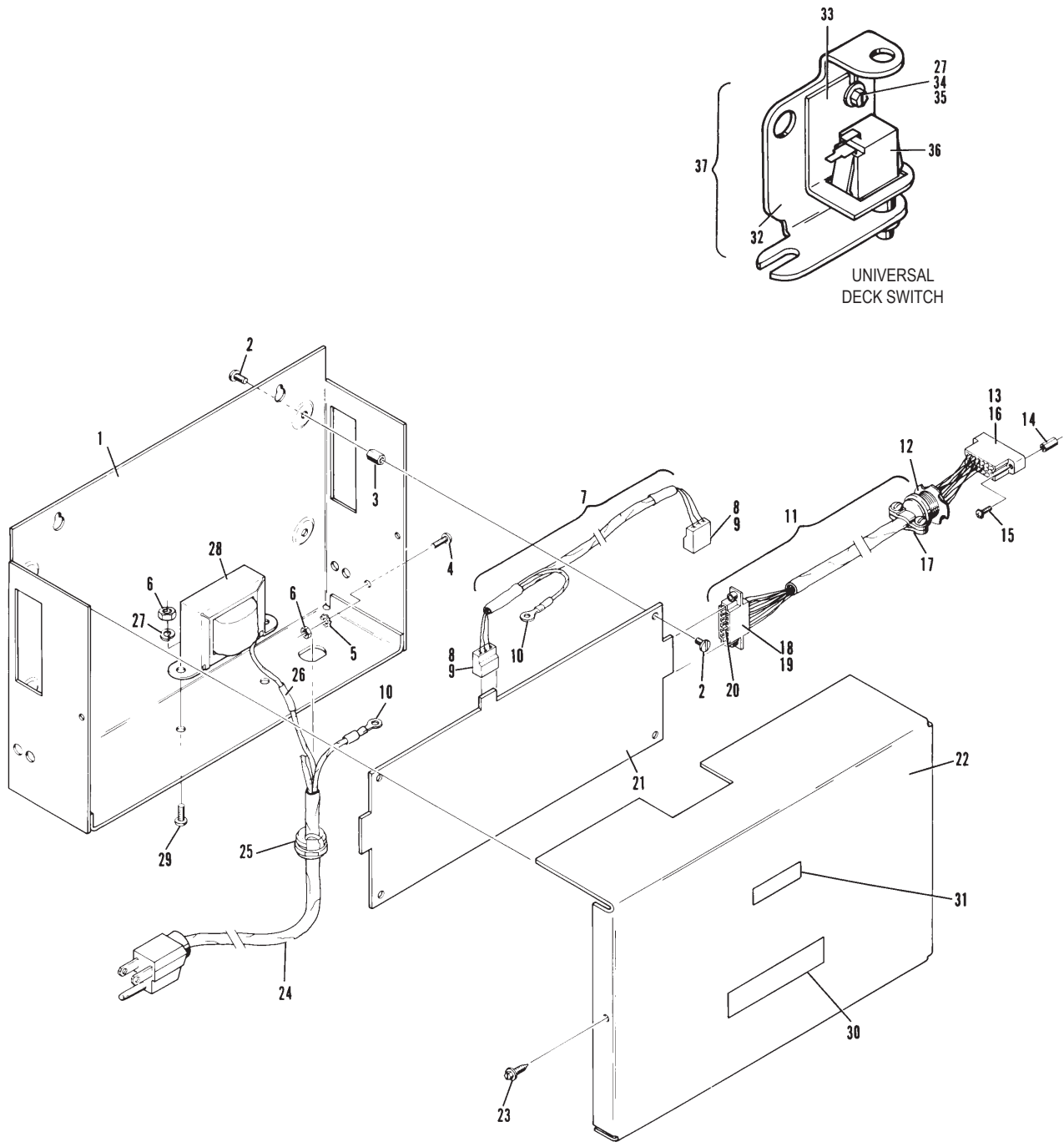
**Power Lift Control Box
AMF Adapter**

Index

No.	Part No.		Description
1.	N.A.		Box Only
2.	11-013056-001	N.A.	Sltd. Pan Hd. Machine Screw (8-32 x 1/4")
3.	N.A.		Standoff
4.	N.A.		Sltd. Rd. Hd. Machine Screw (8-32 x 5/8")
5.	11-198002-001		External Tooth Lockwasher (#8)
6.	11-125003-001		Hex Nut (8-32)
7.	N.A.		Pinfinder Display to Pin Display Acquisition Cable Assembly
8.	11-697262-000	N.A.	Edge Connector (3 Circuits)
9.	11-697288-000	N.A.	Contact
10.	N.A.		Connector
11.	53-520609-000	N.A.	Deck Switch Cable Assembly
12.	11-602002-001	N.A.	Electrical Locknut (1/2)
13.	11-678701-000	N.A.	Connector (20 Contacts)
14.	N.A.		Guide Pin
15.	N.A.		Sems C.R. Rd. Hd. Machine Screw (4-40 x 5/16")
16.	N.A.		Contact
17.	11-602101-000	N.A.	Cord Grip
18.	11-696802-000		Edge Connector (6 contacts)
19.	11-696926-000		Terminal
20.	11-680425-000	N.A.	Connector Key
21.	53-860712-000	N.A.	Pin Display Acquisition PCB Assembly
22.	53-520612-000	N.A.	Cover
23.	N.A.		Self Tapping Hex Hd. Washer Screw (#8 x 3/8")
24.	N.A.		Power Cord Assembly
25.	11-611016-000	N.A.	Strain Relief Bushing
26.	11-612451-000	N.A.	Splice
27.	11-195008-001		Lockwasher (#8)
28.	53-520610-000	N.A.	Transformer Assembly
29.	11-107064-001		Sltd. Rd. Hd. Machine Screw (8-32 x 3/8")
30.	N.A.		F.C.C. Class A Label
31.	N.A.		Decal - "Do Not Remove"
32.	N.A.		Mounting Bracket Assembly
33.	N.A.		Switch Bracket
34.	11-010060-001		Sltd. Rd. Hd. Machine Screw (8-32 x 1/2")
35.	11-190004-001		Flat Washer (#8)
36.	11-674992-000	N.A.	Switch
37.	N.A.		Deck Switch Assembly - Complete

N.A. = No Longer Available

**"2000" Universal Pin Display
Acquisition Box & Deck Switch Assemblies**



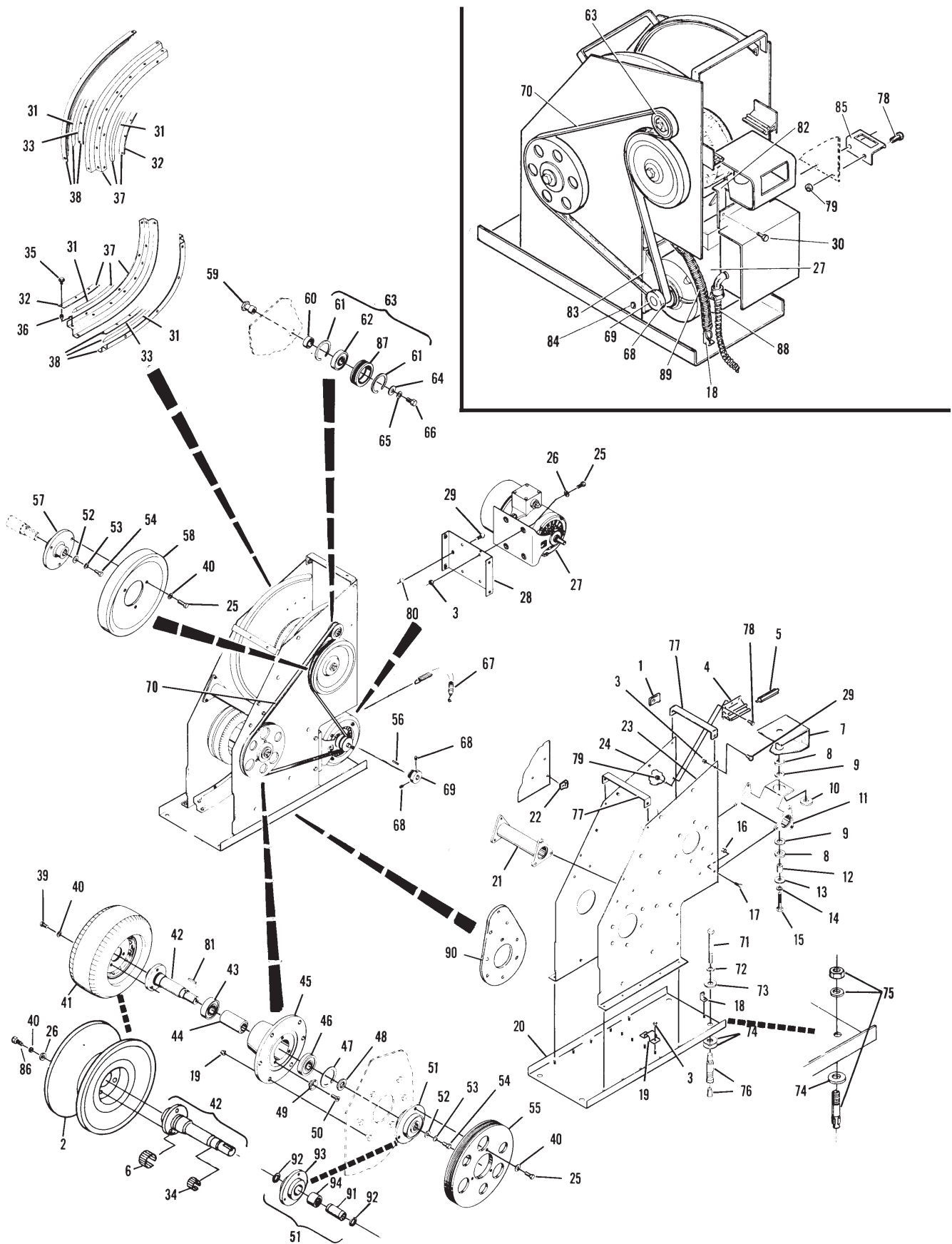
**“2000” Universal Pin Display
Acquisition Box & Deck Switch Assemblies**

Index No.	Part No.	Description	Index No.	Part No.	Description
1.	N.A.	Wire Clip (5/8)	47.	N.A.	Retaining Ring
2.	90-520060-000	Urethane Ball Wheel	48.	53-520088-000	Spacer
3.	11-170009-001	Self Locking Nut (5/16-18)	49.	53-520069-000	Retaining Washer
4.	53-520073-000	Transition Extrusion	50.	11-008148-001	Flat Hd. Socket Cap Screw w/Nylok (1/4-20 x 3/4")
5.	53-520075-000	N.A. Rubber and Plate Assy.	51.	53-860555-000	Clutch Assembly
	90-520075-600	R.O. AP Urethane Transition Track	52.	11-190530-001	Flat Washer
6.	N.A.	Tolerance Ring	53.	11-195014-001	Lockwasher (1/4)
7.	53-520085-000	N.A. Coupling	54.	11-002003-001	N.A. Heat Treated Hex Hd. Cap Screw (1/4-20 x 7/8")
8.	53-520092-000	N.A. Rubber Washer		11-002005-001	Heat Treated Hex Hd. Cap Screw (1/4-20 x 1-1/4")
9.	11-422021-000	Thrust Bearing	55.	N.A.	Poly V Pulley
10.	53-520091-000	Rubber Sleeve (1-38" Dia. x 1/4" Thick)	56.	10-620057-000	Square Key (3/16 x 3/16 x 1-1/4")
11.	N.A.	Support Brace	57.	53-520064-000	Hub
12.	53-520090-000	N.A. Coupling Bushing (13/16" Dia. x 15/16" Long)	58.	53-520162-000	N.A. Flat Pulley
13.	53-520089-000	Washer	59.	53-520071-000	Bearing Stud
14.	11-195020-001	Lockwasher (5/8)		53-520071-001	Bearing Stud - Metric
15.	11-001674-001	Hex Hd. Cap Screw (5/8"-11 x 2-1/2")	60.	53-520072-000	Spacer
16.	11-170011-001	Self Locking Nut (3/8-16)	61.	11-530531-000	Retaining Ring
17.	11-001344-001	Hex Hd. Cap Screw (3/8-16 x 1")	62.	11-430028-000	Bearing
18.	53-520231-000	Spring Anchor	63.	53-520244-000	Poly V Idler Pulley Assembly
19.	53-520094-001	Bracket	64.	11-190514-001	Flat Washer
20.	53-520032-000	N.A. Base Plate Assembly	65.	11-195016-001	Lockwasher (3/8)
21.	N.A.	Brace	66.	11-001342-001	Hex Hd. Cap Screw (3/8-16 x 3/4")
22.	11-605023-000	Wire Clip (7/16)	67.	12-100230-000	Tension Spring
23.	N.A.	R.H. Side Plate Assy.	68.	11-101202-001	Set Screw (5/16-18 x 3/8")
24.	N.A.	L.H. Side Plate Assy.	69.	53-520159-000	Motor Sheave
25.	11-001263-001	Hex Hd. Cap Screw (5/16-18 x 7/8")		53-520582-000	Poly V-Pulley (1" Dia.)
26.	11-191012-001	Flat Washer (5/16)	70.	53-520148-002	Poly V Belt
27.	53-860322-010	Motor (1/4 H.P. 115/230V 50/60 Hz)	71.	11-001512-000	Hex Hd. Cap Screw (1/2-13 x 2")
28.	53-520049-000	Motor Support	72.	11-195018-001	Lockwasher (1/2)
29.	11-001262-001	Hex Hd. Cap Screw (5/16-18 x 3/4")	73.	N.A.	Flat Washer
30.	11-001056-001	N.A. Hex Hd. Cap Screw (10-24 x 3/8")	74.	53-520078-002	Shim (18 Ga.)
31.	53-520040-000	Rubber Track		53-520078-003	N.A. Shim (12 Ga.)
	N.A.	Cement (Quart)	75.	11-111459-000	N.A. Stud Fastener (1/2-13)
	*11-676047-000	Cement (Gallon)	76.	11-111554-000	N.A. Concrete Fastener (1/2-13)
32.	53-520042-002	Track Leather - R.H. Bottom and L.H. Top	77.	53-520243-000	Spacer
33.	53-520042-003	Track Leather - L.H. Bottom and R.H. Top	78.	11-001180-001	Hex Hd. Cap Screw (1/4-20 x 5/8")
34.	N.A.	Tolerance Ring	79.	11-170007-001	Self Locking Nut (1/4-20)
35.	11-019654-001	Sems Hex Hd. Machine Screw (10-32 x 1/2")	80.	11-125202-001	Hex Jam Nut (5/16-18)
36.	11-155101-000	Spline Nut (10-32)	81.	10-621058-000	Square Key (3/16 x 3/16 x 1-5/16")
37.	53-520034-000	N.A. Track Assembly - Complete (R.H. Bottom and L.H. Top)	82.	53-520205-000	N.A. Mounting Bracket
38.	53-520035-000	N.A. Track Assembly - Complete (L.H. Bottom and R.H. Top)	83.	53-520228-000	Motor Support
39.	11-001258-001	Hex Hd. Cap Screw (5/16-18 x 1/2")	84.	10-003007-000	Hex Hd. Body Fit Bolt (5/16-18 x 1-1/4")
40.	11-195015-001	Lockwasher (5/16)	85.	N.A.	Mounting Bracket
41.	53-520060-000	Tire and Rim Assembly	86.	11-001268-001	Hex Hd. Cap Screw (5/16-18 x 1-1/2")
42.	53-520066-000	Shaft Assembly	87.	53-520245-000	Poly V Idler Pulley Only
43.	11-430013-000	Bearing	88.	53-600149-000	Wire Harness Assembly
44.	53-520067-000	Spacer	89.	53-520234-000	Tension Spring
45.	53-520068-000	Housing	90.	53-520058-000	N.A. Doubler
46.	11-430042-000	Bearing	91.	53-520421-000	Inner Ring
			92.	11-533019-000	Retaining Ring
			93.	53-520422-000	N.A. Outer Hub
			94.	11-500552-000	Clutch and Bearing

N.A. = No Longer Available

* Used to bond Index No. 31 to Index Nos. 37 and 38.

Concealed Surface Power Lift Assembly



Concealed Surface Power Lift Assembly

Index

No.	Part No.	Description
1.	53-520234-000	Tension Spring
2.	53-520678-000	R.H. Ball Lift Track Assembly (upper and lower)
	*53-520679-000	L.H. Ball Lift Track Assembly (upper and lower)
3.	11-170009-001	Hex Hd. Nut, Self Locking, (5/16-18)
4.	53-520675-000	N.A. Ball Lift Weldment Assembly
	53-520696-001	R.O. Ball Lift Weldment Assembly W/Hardware (metric)
5.	53-520663-001	Lower Pulley w/Bearing Assembly
6.	53-520235-000	"V" Belt
7.	53-520658-000	Ball Lift Upper Pulley
8.	53-520685-000	Ball Lift Bearing Housing
9.	10-620057-000	Square Key (3/16 x 3/16 x 1-1/4)
10.	53-520060-000	Tire and Rim Assembly
11.	11-195015-001	Lockwasher (5/16")
12.	11-001258-001	Hex Hd. Cap Screw, (5/16-18 x 1/2")
13.	11-170007-001	Self-Locking Hex Nut (1/4-20)
14.	53-520073-000	Ball Transition Assembly
15.	11-001180-001	Hex Hd. Cap Screw, (1/4-20 x 5/8")
16.	53-520071-000	Bearing Stud
	52-520071-001	Bearing Stud - Metric
17.	53-520072-000	Spacer
18.	53-520244-000	Idler Assembly
19.	11-190014-001	Flat Washer (3/8")
20.	11-195016-001	Lock washer (3/8")
21.	11-001342-001	Hex Head Cap Screw (3/8-16 x 3/4")
22.	11-190530-001	Flat Washer (9/32")
23.	11-195014-001	Lockwasher (1/4")
24.	11-002004-001	Hex Hd. Cap Screw (1/4-20 x 1")
25.	**53-860325-000	N.A. Motor/Mount Bracket/Power Bracket Assembly
	53-860328-000	R.O. Ball lift Motor 115/230V 1/4 HP 1725 Pkg.
26.	11-002066-001	Hex Hd. Cap Screw (5/16-18 x 1-1/2")
27.	11-533019-000	Retaining Ring
28.	53-520421-000	Inner Ring
29.	53-520172-000	Leather Track
30.	53-520686-000	Rubber Track
31.	11-190006-001	Flat Washer (#10)
32.	11-081206-000	Truss Hd. Robertson Screw (10-24 x 5/8")
33.	53-520159-000	Poly V Sheave (1.32) .625 Dia. Shaft
	53-520582-000	Poly V Sheave (1") .625 Dia. Shaft
34.	90-520172-600	Frameworkx Urethane Track - includes one L.H. and one R.H. Track
35.	90-520075-600	Transition Track Advanced Performance
36.	53-520671-000	Ball Lift Motor Support

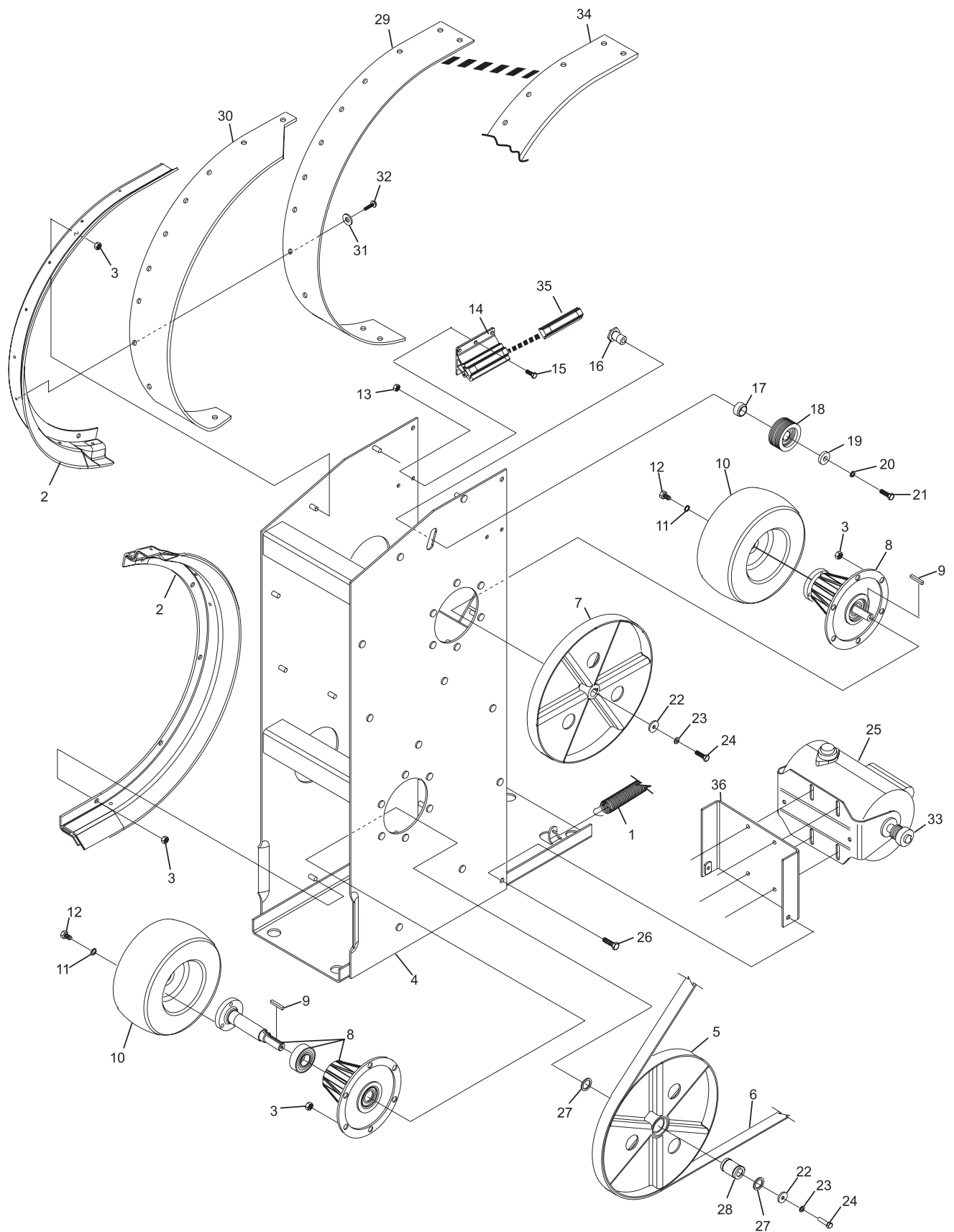
N.A. = No Longer Available

R.O. = Replacment Option

* Not Illustrated

** When using with B2000 Lift Mounting Plate 53-520671-000.

Frameworkx Ball Lift



Frameworx Ball Lift

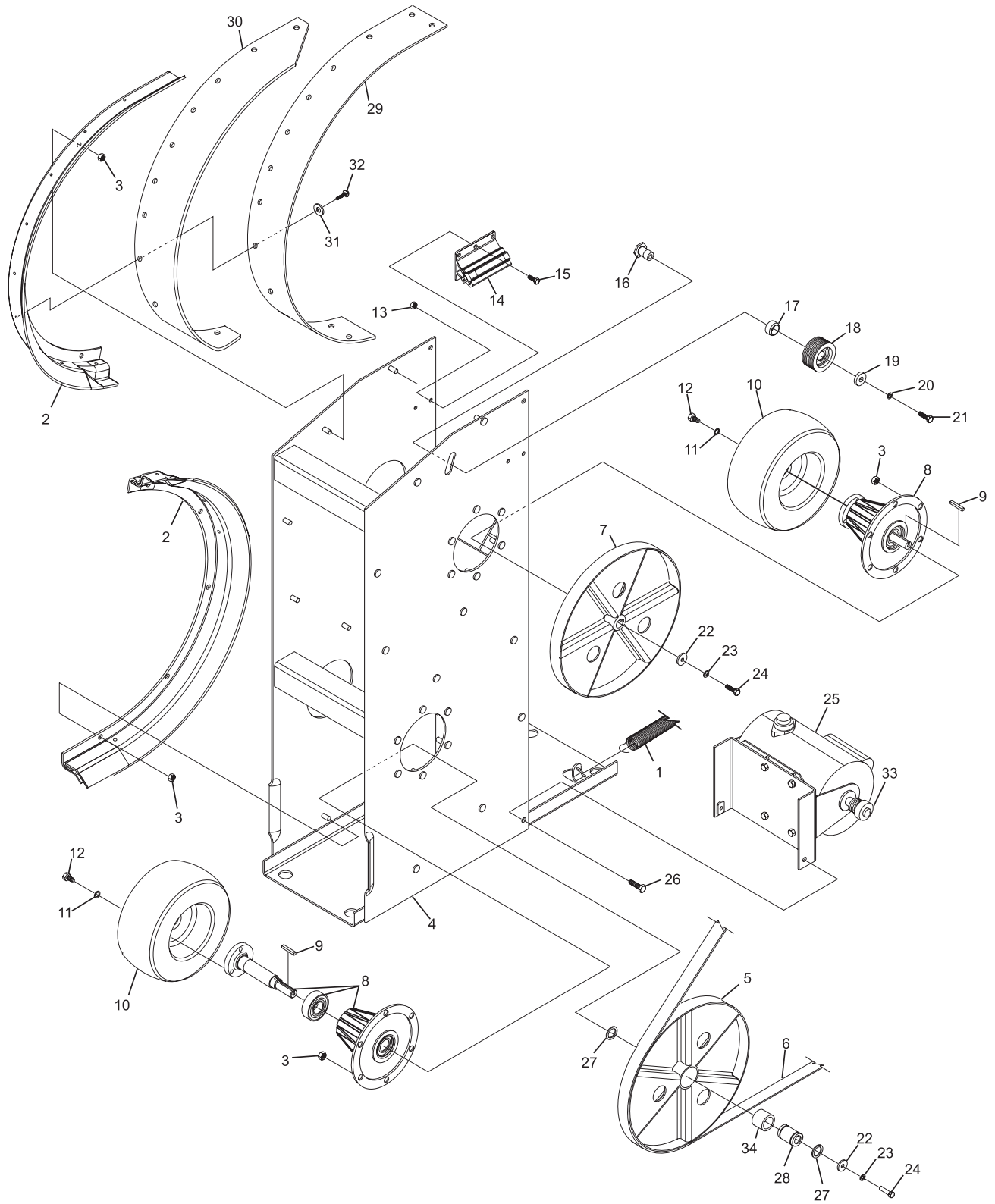
Index

No.	Part No.		Description
1.	53-520234-000		Tension Spring
2.	53-520678-002	N.A.	R.H. Ball Lift Track Assembly (upper and lower)
	53-520678-000	R.O.	R.H. Ball Lift Track Assembly (upper and lower)
	*53-520679-002	N.A.	L.H. Ball Lift Track Assembly (upper and lower)
	*53-520679-000	R.O.	L.H. Ball Lift Track Assembly (upper and lower)
3.	11-051744-001		Locknut (M8)
4.	53-520675-001	N.A.	Ball Lift Weldment Assembly
	53-520696-001	R.O.	Ball lift Weldment Assembly w/Hardware (metric)
5.	53-520663-001		Lower Pulley w/Bearing Assembly
6.	53-520230-002	N.A.	"V" Belt
	53-520235-000	R.O.	Poly "V" Belt
	53-520235-600		Poly V-Belt (AP High Friction)
7.	53-520658-000		Ball Lift Upper Pulley
8.	53-520685-001		Ball Lift Bearing Housing
9.	10-620057-000		Square Key
10.	53-520060-000		Tire and Rim Assembly
11.	11-051770-001		Lockwasher (8mm)
12.	11-051043-001		Hex Hd. Cap Screw (M8 x 12 mm)
13.	11-051743-001		Self-Locking Hex Nut (6mm)
14.	53-520073-000		Ball Transition Assembly
15.	11-051035-001		Hex Hd. Cap Screw (M6 x 16 mm)
16.	53-520071-001		Bearing Stud
17.	53-520072-000		Spacer
18.	53-520244-001	N.A.	Idler Assembly
19.	11-052018-001		Flat Washer (10.5 mm)
20.	11-051771-001		Lockwasher (M10)
21.	11-051028-001		Hex Head Cap Screw (M6 x 25 mm)
22.	11-052067-001	N.A.	Flat Washer (7.4 mm)
23.	11-051769-001		Lockwasher (M6)
24.	11-051028-001		Hex Hd. Cap Screw (M6 x 25 mm)
25.	53-520704-001	N.A.	Motor/Mount Bracket/Power Bracket Assembly
	53-860328-000	R.O.	Ball lift Motor 115/230V 1/4 HP Pkg.
26.	11-051053-001		Hex Hd. Cap Screw (M8 x 40 mm)
27.	11-051856-001		Retaining Ring (25mm)
28.	53-520421-000		Inner Ring
	53-520421-001		Inner Ring (Metric)
29.	53-520172-000		R.H. or L.H. Leather Track
30.	53-520686-000		R.H. or L.H. Rubber Track
31.	11-190006-001		Flat Washer (#10)
32.	11-081206-000		Truss Hd. Robertson Screw (10-24 x 5/8")
33.	53-520582-001		Poly V Sheave (Metric)
34.	11-500552-000		Clutch Bearing

N.A. = No Longer Available

R.O. = Replacement Option

* Not Illustrated



**Frameworx Ball Lift
(Metric)**

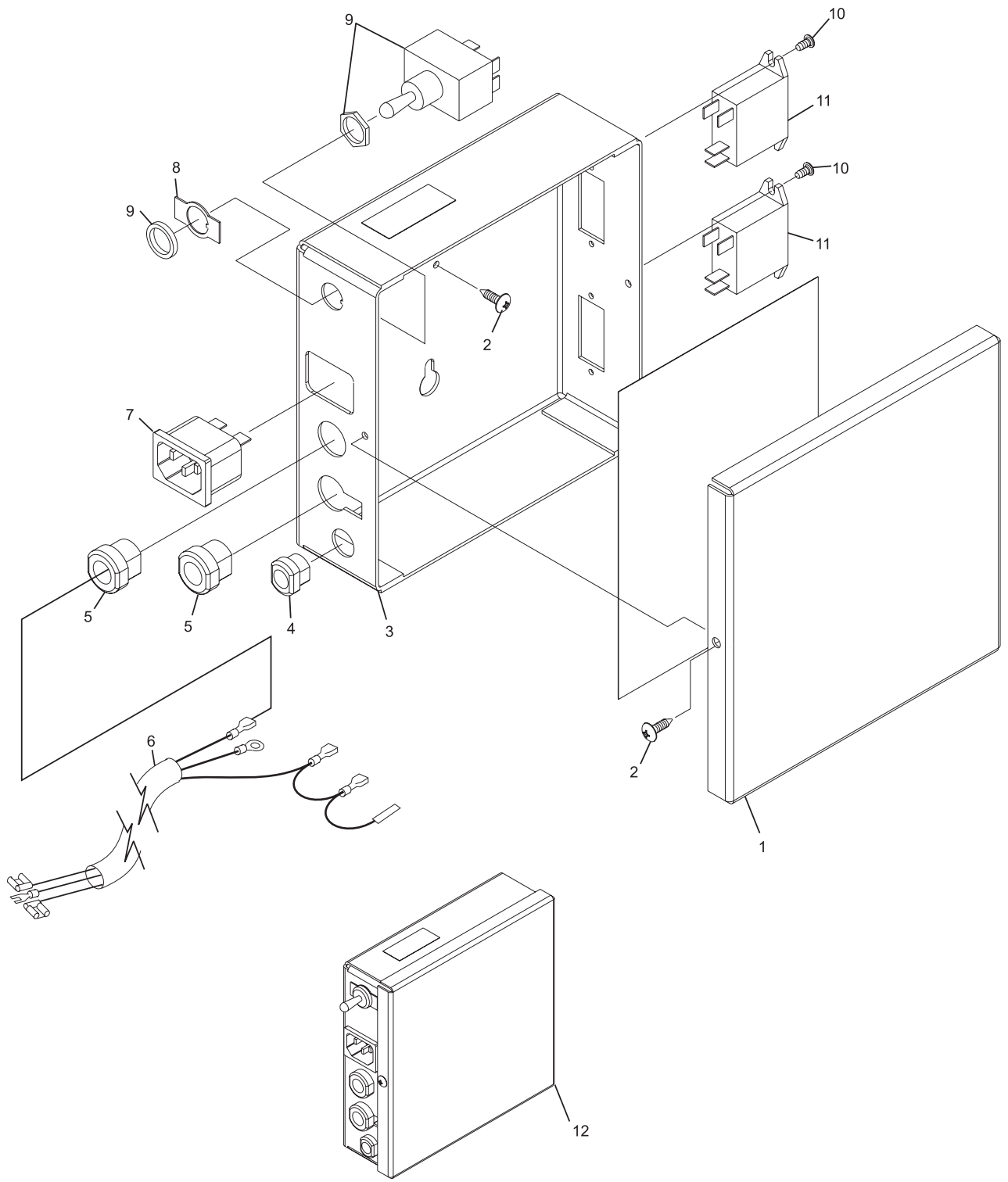
Index

No.	Part No.		Description
1.	53-520693-000		Cover
2.	11-082232-001		Truss Hd.C.R. Screw (#6 x 1/2")
3.	53-520691-000	N.A.	Enclosure
4.	11-611015-000		Strain Relief Bushing
5.	11-611016-000	N.A.	Strain Relief Bushing
6.	53-520701-000		Ball Lift Motor Cable Assembly
7.	11-686558-000		Power Receptacle
8.	11-616602-000		Plate-ON/OFF
9.	11-615522-000	N.A.	Toggle Switch
10.	N.A.		Pan Hd. C.R. Self Tapping Screw (#4 x .25")
11.	11-672523-000		Relay
12.	53-520692-000	N.A.	Ball Lift Control Box - Complete
	53-520715-000	R.O.	Ball Lift Control Box Assembly

N.A. = No Longer Available

R.O. = Replacement Option

NOTE: For cable from ball lift to pinsetter order part number
53-860688-000.



Frameworx Ball Lift Control Box

Index

No.	Part No.		Description
1.	53-520693-000		Cover
2.	11-082232-001		Truss Hd. C.R. Screw (6 x 1/2)
3.	53-520714-000	N.A.	Enclosure
4.	11-611015-000		Strain Relief Bushing
5.	11-611016-000	N.A.	Strain Relief Bushing
6.	11-616602-000		Plate-ON/OFF
7.	53-520715-000		Ball Lift Control Box - Complete
8.	11-615523-000		Toggle Switch
9.	11-672523-000		Relay
10.	11-087500-000	N.A.	Pan Hd.C.R. Self Tapping Screw (M2.9 x 9.5 mm)

N.A. = No Longer Available

Frameworkx Ball Lift Control Box (Metric)

Intentionally Blank Page

Section N

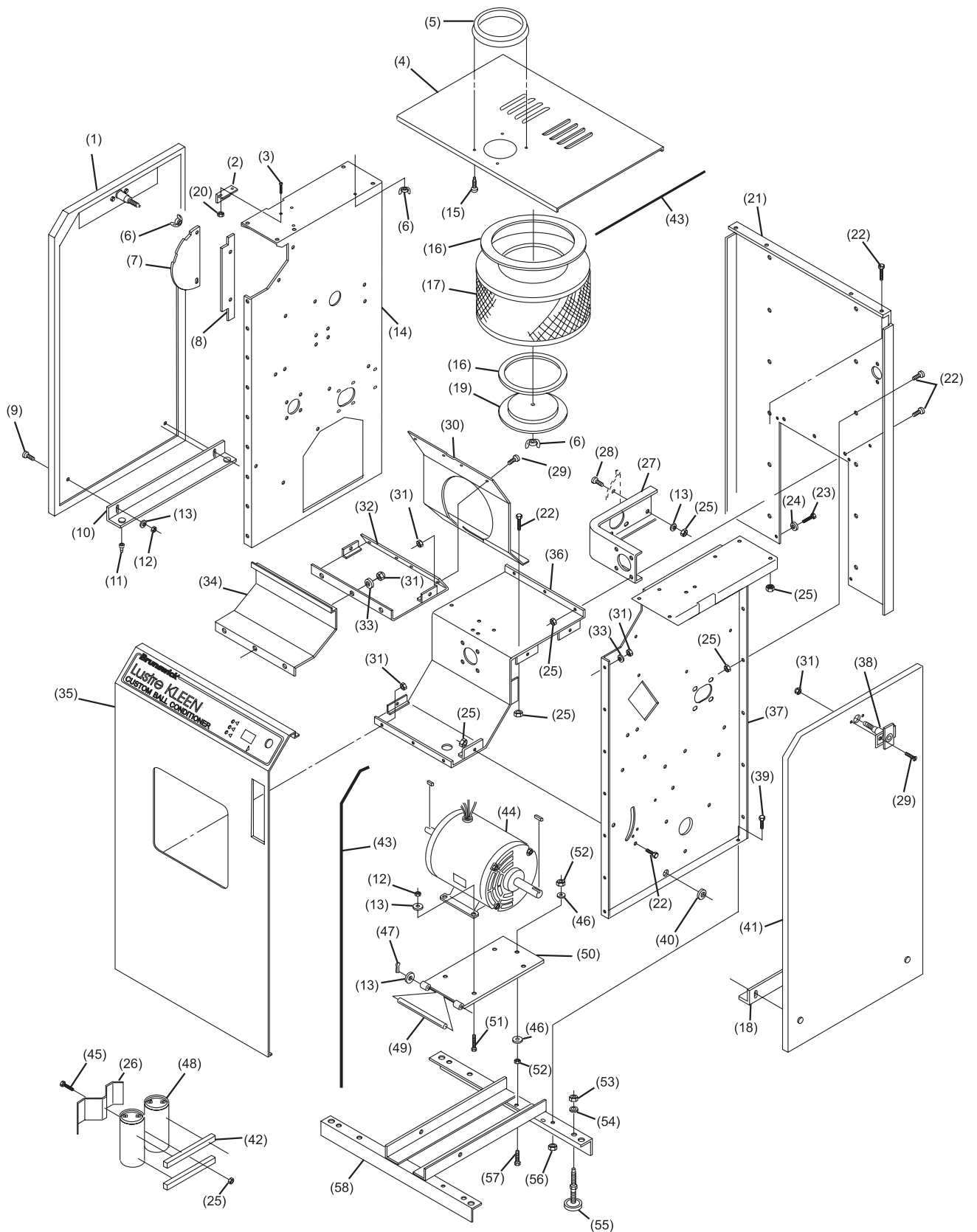
LUSTRE KLEEN

Index

No.	Part No.		Description
1.	61-100131-000	N.A.	Left Side Panel
2.	14-400289-000	N.A.	Locking Stud Bracket
3.	11-013099-001	N.A.	Sltd. Pan Hd. Machine Screw Pltd. (#10-5/8")
4.	N.A.		Top Panel
5.	14-400230-002	N.A.	Ball Ring (Brown)
6.	11-149003-001		Wing Nut
7.	14-400250-000		Buffing Wheel Adjustment Template
8.	61-100107-000		Roller Adjustment Template
9.	61-100159-001	N.A.	Weld Stud (3/8 x 3/4")
10.	61-100142-000	N.A.	Left Hand Angle Bracket
11.	14-400272-000	N.A.	Grommet
12.	11-170011-001		Hex Nut (3/8 - 16)
13.	11-190014-001		Flat Washer (3/8)
14.	61-100138-000	N.A.	Left Side Frame (1/4)
15.	N.A.		Rd. Hd. Self Tapping Screw Pltd. (#8-1/2")
16.	14-400165-000		Gasket
17.	14-400147-000		Filter
18.	61-100143-000	N.A.	R.H. Angle Bracket
19.	14-400164-000		Filter Retainer
20.	11-170006-001		Locking Hex Nut (#10-32)
21.	N.A.		Rear Frame Panel
22.	11-001180-001		Hex Hd. Cap Screw (1/4 x 5/8)
23.	N.A.		Hex Hd. Tapping Screw (3/4" Long)
24.	11-190008-001		Flat Washer (1/4)
25.	11-170007-001		Hex Locknut (1/4-20)
26.	61-100116-000	N.A.	Bracket
27.	N.A.		Brace
28.	11-001182-001		Hex Hd. Screw (1/4-20 x 3/4)
29.	61-100155-001	N.A.	Sltd. Flat Hd. Machine Screw (#10-5/8")
30.	N.A.		Center Baffle
31.	11-170006-001		Locking Hex Nut (#10-32)
32.	14-400205-000	N.A.	Upper Baffle
33.	N.A.		Special Washer
34.	N.A.		Front Baffle
35.	61-100114-000	N.A.	Front Panel (.50, .75 & 1.00")
36.	14-400078-010	N.A.	Baffle Assembly
37.	61-100139-000	N.A.	Right Side Frame
38.	11-640051-000		Lock (Chicago)
39.	11-001262-001		Hex Hd. Screw (5/16-18 x 3/4")
40.	N.A.		Grommet
41.	N.A.		Right Side Panel
42.	11-679602-000	N.A.	Gasket (5/16-5/8")
43.	11-651051-000	N.A.	Rubber Edge Trim (11')
44.	14-860023-000	N.A.	Motor - 115/230V 50/60HZ
45.	11-001193-001		Hex Hd. Screw (1/4-20 x 2-1/4)
46.	11-190012-001		Flat Washer (5/16)
47.	11-335055-001	N.A.	Cotter Pin
48.	11-696211-000	N.A.	Capacitor
49.	N.A.		Pin
50.	N.A.		Motor Plate
51.	11-011346-001	N.A.	Hex Hd. Screw (3/8-16 x 1-1/4")
52.	11-125009-001		Steel Machine Hex Nut (5/16-18)
53.	11-125108-001		Machine Hex Nut (1/2-13)
54.	11-195018-001		Lockwasher (1/2)
55.	11-695101-000		Glide
56.	11-170009-001		Hex Locknut (5/16-18)
57.	11-027038-001	N.A.	Weld Stud (5/16-18 x 2")
58.	61-100137-000	N.A.	Lower Frame Assembly

N.A. = No Longer Available

Lustre Kleen Ball Conditioner Cabinet & Frame Assembly



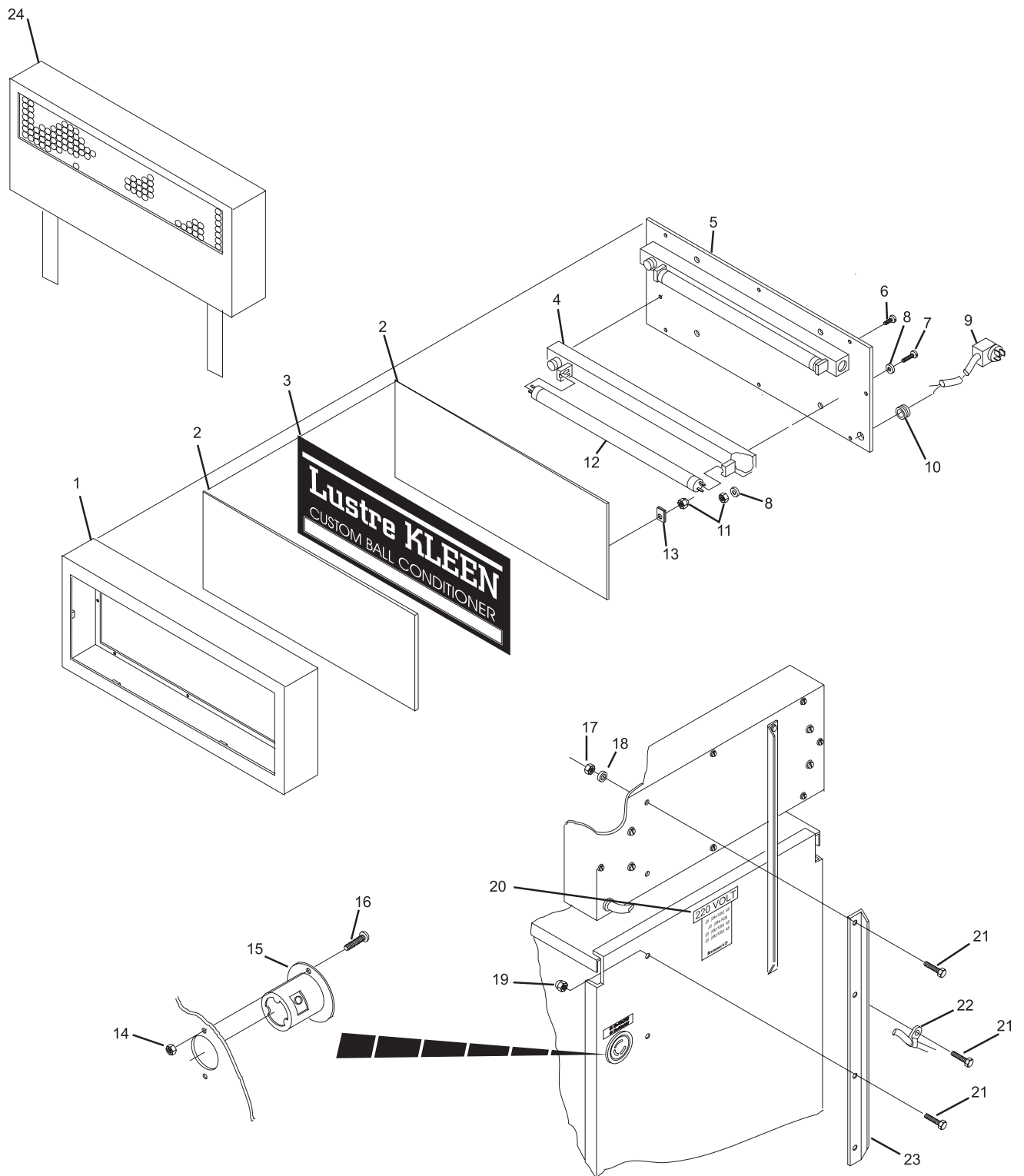
**Lustre Kleen Ball Conditioner
Cabinet & Frame Assembly**

Index

No.	Part No.		Description
1.	61-100148-000	N.A.	Sign Frame
2.	61-100096-000	N.A.	Plexiglass Window
3.	61-100113-000	N.A.	Lustre Kleen Photo
4.	N.A.		Strain Relief
5.	61-100092-001	N.A.	Plate Backing
6.	N.A.		Pan Hd. Screw (#8 x 3/8")
7.	11-013096-001	N.A.	Pan Hd. Screw (#10-32 x 3/8")
8.	11-198003-001		External Tooth Washer (#10)
9.	11-678614-000	N.A.	Twist-Lock Angle Plug
10.	11-611016-000	N.A.	Grommet
11.	11-125005-001		Hex Nut (#10-32)
12.	61-100200-000	N.A.	Lamp
13.	61-100094-000	N.A.	Photo Locking Tab
14.	11-170002-001		Locknut (#6-32)
15.	N.A.		Flanged Twist-Lock Receptacle
16.	11-107024-001	N.A.	Rd. Hd. Machine Screw (#6 x 3/8")
17.	11-125007-001		Hex Nut (1/4-20)
18.	11-190010-001		Flat Washer (1/4)
19.	11-170007-001		Self Locking Nut (1/4-20)
20.	61-100129-000	N.A.	Decal
21.	11-001180-001		Hex Hd. Screw (1/4-20 x 5/8")
22.	11-604105-000		Wire Clamp
23.	61-100093-000	N.A.	Sign Post
24.	14-860171-000	N.A.	LED Moving Sign - Complete

N.A. = No Longer Available

**Lustre Kleen Ball Conditioner
Illuminated Sign Assembly**

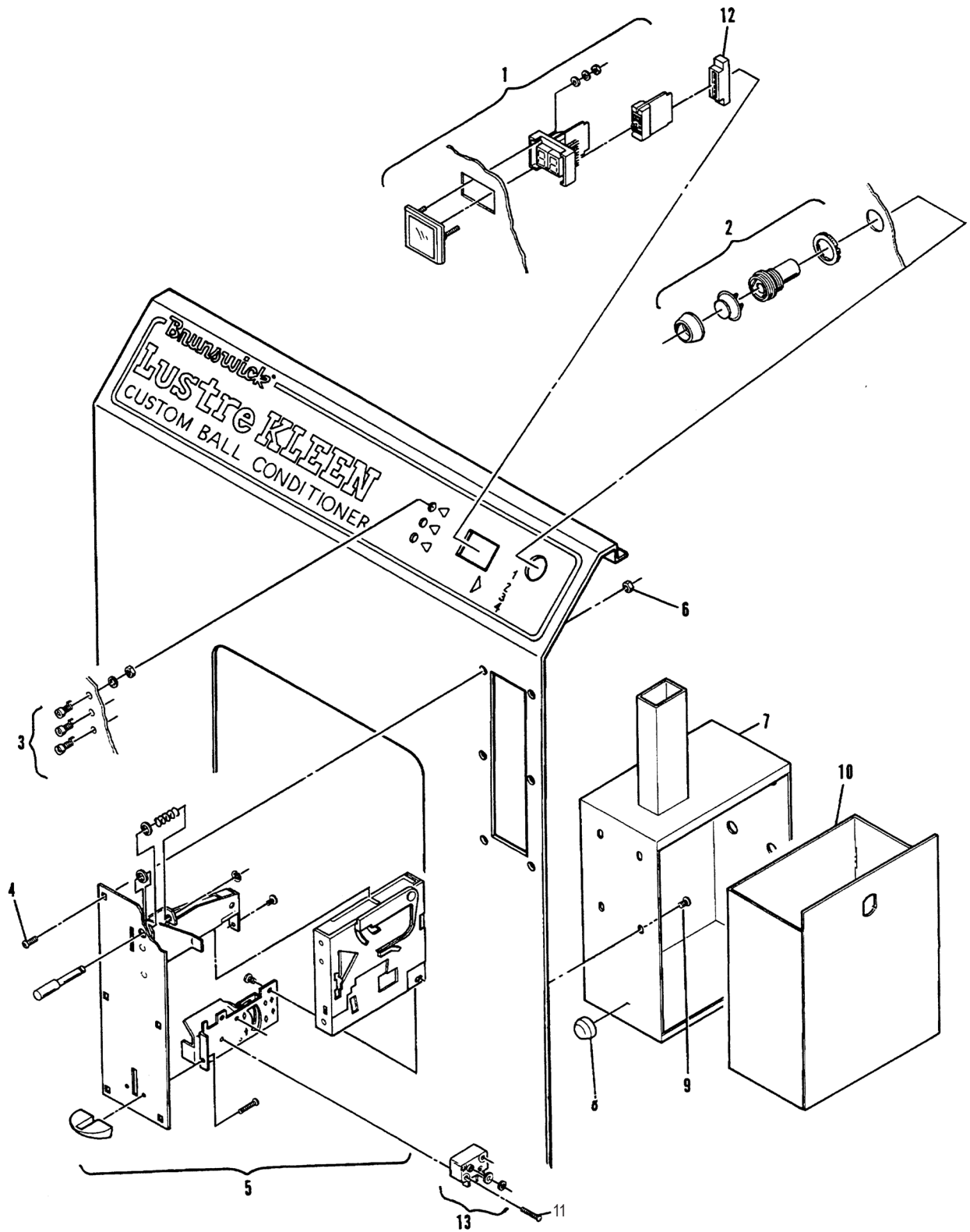


**Lustr Kleen Ball Conditioner
Illuminated Sign Assembly**

Index

No.	Part No.		Description
1.	61-100197-000	N.A.	LED Display Assembly
2.	61-100212-000		Start Button Assembly
3.	61-100199-000		LED Lights Assembly
4.	11-006118-001		Button Hd. Hex Socket Screw (#10-32 x 1/2")
5.	61-100182-000	N.A.	Coin Mechanism Assembly
6.	11-170006-001		Locknut (#10-32)
7.	61-100151-000	N.A.	Outer Holder Assembly
8.	61-100220-000	N.A.	Rubber Bumper
9.	11-013092-001	N.A.	Machine Screw (#10-32 x 1/4")
10.	61-100152-000	N.A.	Coin Box
11.	11-107007-001	N.A.	Rd. Hd. Screw (#4-40 x 5/8")
12.	61-100195-000	N.A.	Connector
13.	11-615054-000	N.A.	Micro Switch

N.A. = No Longer Available



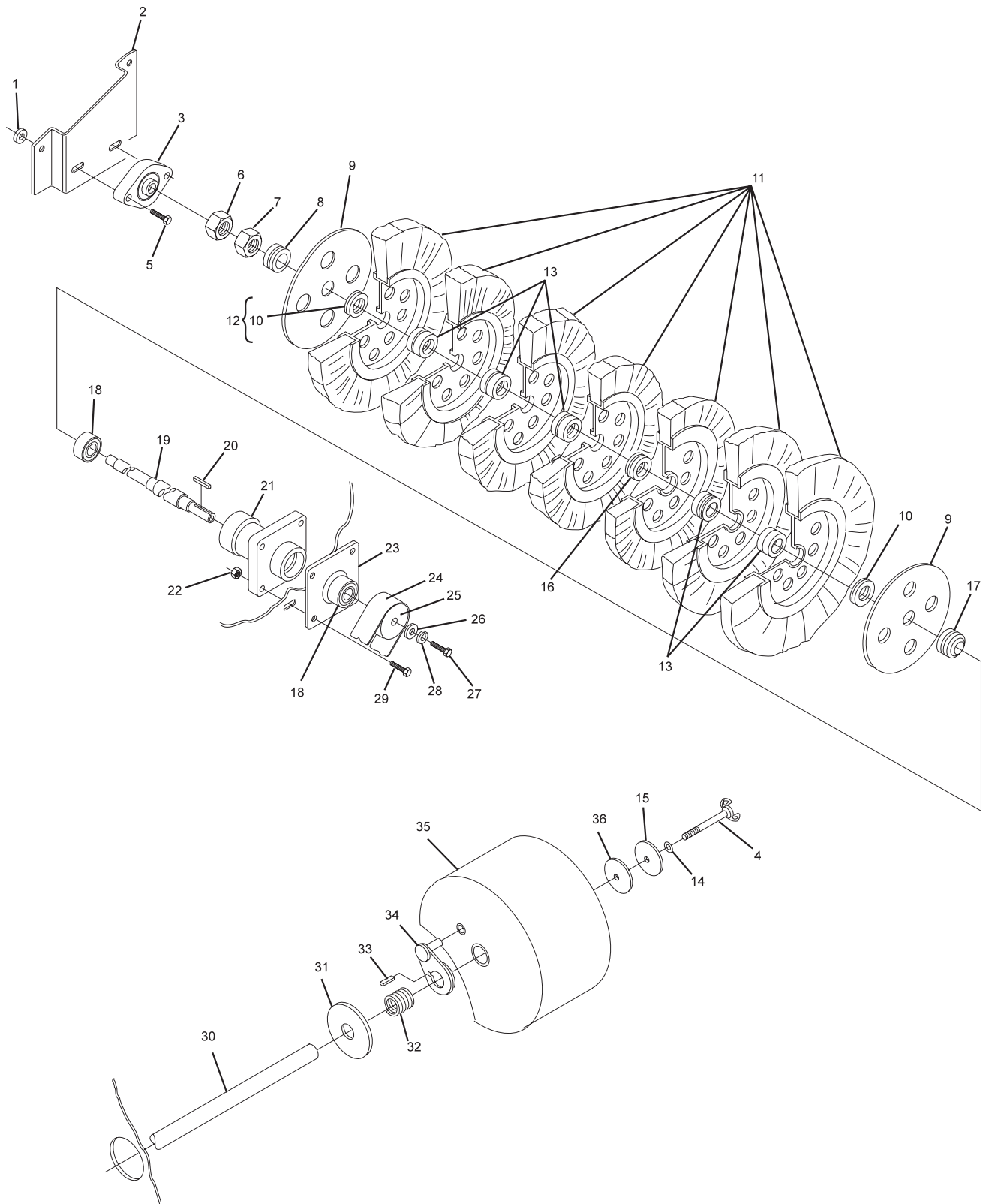
**Lustre Kleen Ball Conditioner
Coin Mechanism & Control Panel Assemblies**

Index

No.	Part No.		Description
1.	11-131503-001	N.A.	Hex Flanged Nut (5/16-18)
2.	61-100124-000	N.A.	Buffer Bearing Bracket
3.	61-100123-000		Buffer Shaft Bearing (Altered)
4.	14-400288-000		Thumb Screw Assembly
5.	11-001265-001		Hex Hd. Screw (5/16-18 x 1-1/8")
6.	11-125262-001	N.A.	Hex Nut (5/8-11)
7.	11-126113-001		Hex Nut (5/8-11)
8.	14-400308-003	N.A.	Spacer
9.	14-400276-000		Plate
10.	14-400310-000	N.A.	Spacer
11.	14-860021-000		Buffing Wheel Brush Assembly
12.	14-860131-000	N.A.	Spacers (Complete Set)
13.	14-400307-000	N.A.	Spacer
14.	11-198003-001		Lockwasher (#10)
15.	11-190537-001	N.A.	Flat Washer (7/32)
16.	14-400308-002	N.A.	Spacer
17.	14-400309-000	N.A.	Spacer
18.	11-430028-000		Ball Bearing
19.	61-100102-000		Shaft
20.	12-100187-014		Key
21.	14-400027-000	N.A.	Bearing Housing
22.	11-170009-001		Self Locking Nut (5/16-18)
23.	14-400030-000		Support Plate
24.	10-635117-000		Flat Belt
	14-600032-000		V-Belt
25.	14-400039-000	N.A.	Flat Buffing Pulley
	N.A.		V-Belt Pulley (2.8" O.D.)
26.	11-190530-001		Flat Washer
27.	11-001182-001		Hex Hd. Screw (1/4-20 x 3/4")
28.	11-195014-001		Lockwasher (1/4)
29.	11-001264-001		Hex Hd. Screw (5/16-18 x 1")
30.	61-100075-000	N.A.	Compound Shaft
31.	10-191552-000	N.A.	Flat Washer
32.	14-400200-000		Spring
33.	11-354003-001		Key (1/4 x 3/4)
34.	14-400220-000		Compound Drive
35.	14-800003-000		Buffing Compound - Pkg. of 2 (standard)
	14-800005-000		Buffing Compound - Pkg. of 2 (highly reactive)
	14-800007-000		Lustre Sheen Compound - Pkg. of 2
36.	14-400219-003		Rubber Washer

N.A. = No Longer Available

**Lustre Kleen Ball Conditioner
Buffing Wheel & Buffing Compound Assemblies**



**Lustr Kleen Ball Conditioner
Buffing Wheel & Buffing Compound Assemblies**

Index

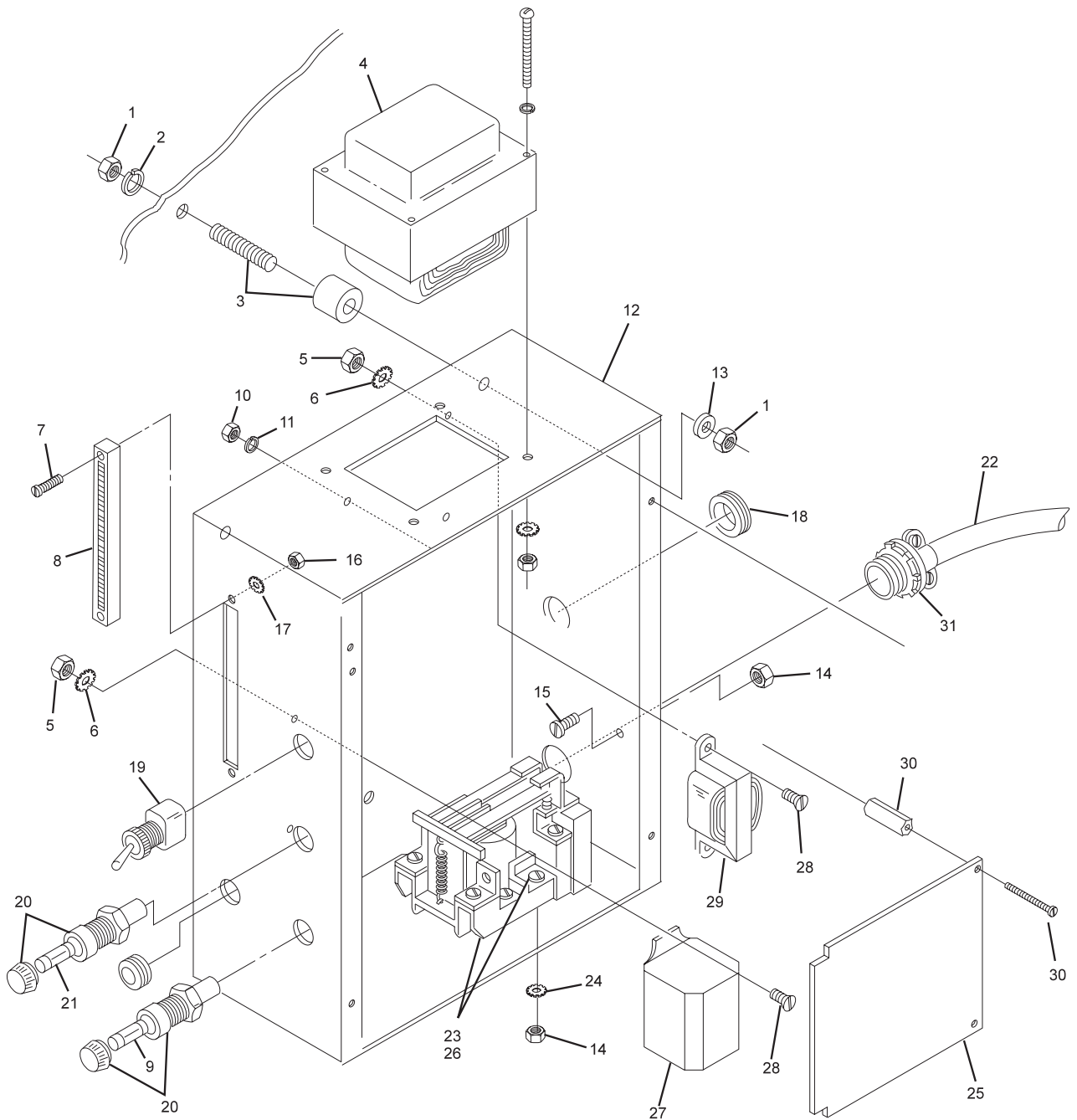
No.	Part No.		Description
1.	11-125007-001		Hex Nut (1/4-20)
2.	11-199005-004	N.A.	Lockwasher (1/4)
3.	N.A.		Vibration Mount
4.	14-400446-000	N.A.	Transformer Assembly
5.	11-125003-001		Hex Nut (#8-32)
6.	11-198002-001		External Tooth Lockwasher (#8)
7.	11-107010-001		Rd. Hd. Screw (#4-40 x 1")
8.	61-100188-000	N.A.	Edge Connector
9.	11-684015-000		Slow Blow Fuse (15 Amp)
10.	11-125001-001		Hex Nut (#6-32)
11.	11-198001-001		External Tooth Lockwasher (#6)
12.	N.A.		Electrical Box
13.	11-191010-001	N.A.	Flat Washer (1/4)
14.	11-125005-001		Hex Nut (#10-32)
15.	11-013096-001	N.A.	Pan Hd. Screw (#8-32 x 3/8")
16.	11-125000-001		Hex Nut (#4-40)
17.	11-198000-001	N.A.	Lockwasher (#4)
18.	61-100215-000	N.A.	Grommet (1/2")
19.	11-615512-000		Switch
20.	N.A.		Fuse Holder w/Cap
21.	12-750225-000	N.A.	Slow Blow Fuse (1 Amp)
	11-684104-000	R.O.	Slow Blow Fuse (1 Amp)
22.	N.A.		Power Cord
23.	61-100184-000	N.A.	Relay
24.	11-198003-001		External Tooth Lockwasher (#10)
25.	14-860187-000	N.A.	Programmable Printed Circuit Board Assembly
	N.A.		Circuit Board Assembly (.50, .75 & 1.00)
	N.A.		Circuit Board Assembly (.50, 1.00 & 1.50)
26.	11-013098-001	N.A.	Pan Hd. Screw (#10-32 x 5/8")
27.	61-100185-000		Relay (UADC12)
28.	11-013060-001		Pan Hd. Screw (#8-32 x 1/2")
29.	61-100183-000	N.A.	Transformer
30.	61-100222-000	N.A.	Spacer
31.	N.A.		Strain Relief
32.	*N.A.		Cover Plate
33.	*N.A.		Sheet Metal Screw (#8 x 1/2")
34.	*11-028024-001	N.A.	Flat Hd. Screw (#6-32 x 3/8")

N.A. = No Longer Available

R.O. = Replacement Option

* = Not Illustrated

Lustre Kleen Ball Conditioner Electrical Control Box Assembly



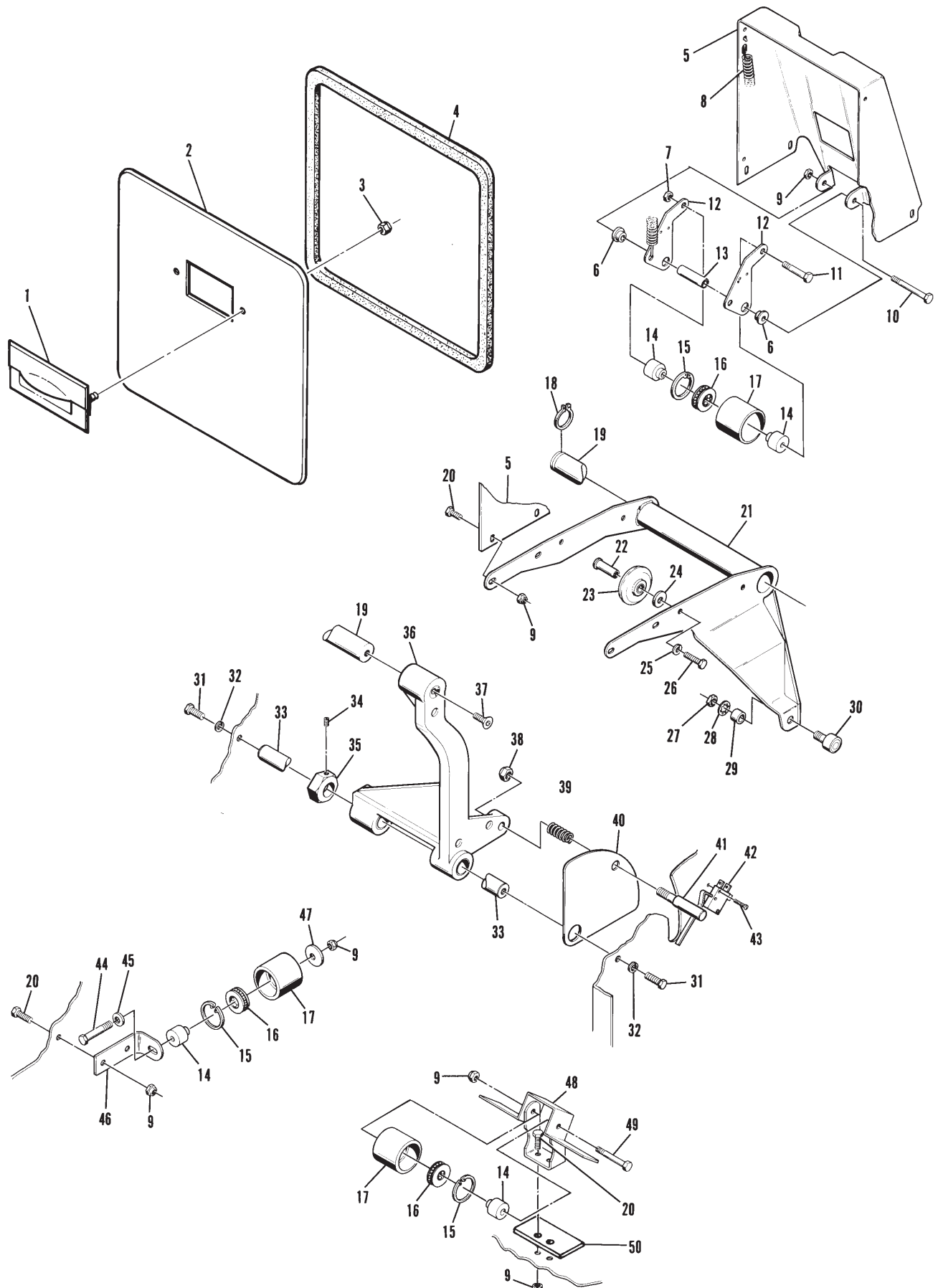
**Lustre Kleen Ball Conditioner
Electrical Control Box Assembly**

Index

No.	Part No.		Description
1.	61-100218-000	N.A.	Door Handle
2.	14-400402-010	N.A.	Door
3.	11-170006-001		Self Locking Nut (#10-32)
4.	14-400222-000	N.A.	Door Seal
5.	N.A.		Door Track
6.	11-421104-000		Spacer
7.	11-170106-001		Thin Self Locking Nut (1/4-20)
8.	14-400047-000	N.A.	Spring
9.	11-170007-001		Self Locking Nut (1/4-20)
10.	11-001194-001		Hex Hd. Screw (1/4-20 x 2-1/2")
11.	11-001192-001		Hex Hd. Screw (1/4-20 x 2")
12.	N.A.		Bracket
13.	N.A.		Spacer
14.	14-400068-000		Spacer
15.	11-531504-000		Retaining Ring
16.	11-430037-000		Ball Bearing
17.	14-400105-000	N.A.	Guide Roller
18.	11-530025-001		Retaining Ring
19.	14-400033-000		Crank Arm Shaft
20.	11-001182-001		Hex Hd. Screw (1/4-20 x 3/4")
21.	N.A.		Cradle Assembly
22.	14-400182-000	N.A.	Roller Stud
23.	34-205100-000		Roller Assembly
24.	N.A.		Flat Washer (3/8)
25.	11-195014-001		Lockwasher (1/4)
26.	11-001180-001		Hex Hd. Screw (1/4 x 5/8)
27.	11-125012-001		Hex Nut (3/8-24)
28.	11-199007-001		Internal Tooth Washer (3/8)
29.	10-386007-000	N.A.	Spacer (13/32 x 3/8)
30.	11-480007-000	N.A.	Cradle Assembly Bearing
31.	11-001342-001		Hex Hd. Screw (3/8-16 x 3/4")
32.	11-195016-001		Lockwasher (3/8)
33.	N.A.		Shaft
34.	N.A.		Screw (5/16-18 x 1/4")
35.	12-400300-000		Hex Nut
36.	61-100112-000		Crank Arm
37.	11-007262-001	N.A.	Screw (5/16-18 x 3/4")
38.	11-170011-001		Self Locking Nut (3/8-16)
39.	N.A.		Spring
40.	N.A.		Cover
41.	N.A.		Stud
42.	61-100172-000		Door Micro Switch
43.	11-107008-001		Pan Hd. Screw (#4-40 x 3/4")
44.	11-001190-001		Hex Hd. Screw (1/4-20 x 1-3/4")
45.	11-190008-001		Flat Washer
46.	14-400034-000	N.A.	Bracket
47.	11-190530-001		Flat Washer (9/32)
48.	N.A.		Guard Assembly
49.	11-001193-001		Hex Hd. Screw (1/4-20 x 2-1/4")
50.	14-400502-000	N.A.	Bracket

N.A. = No Longer Available

Lustre Kleen Ball Conditioner Ball Door Assembly

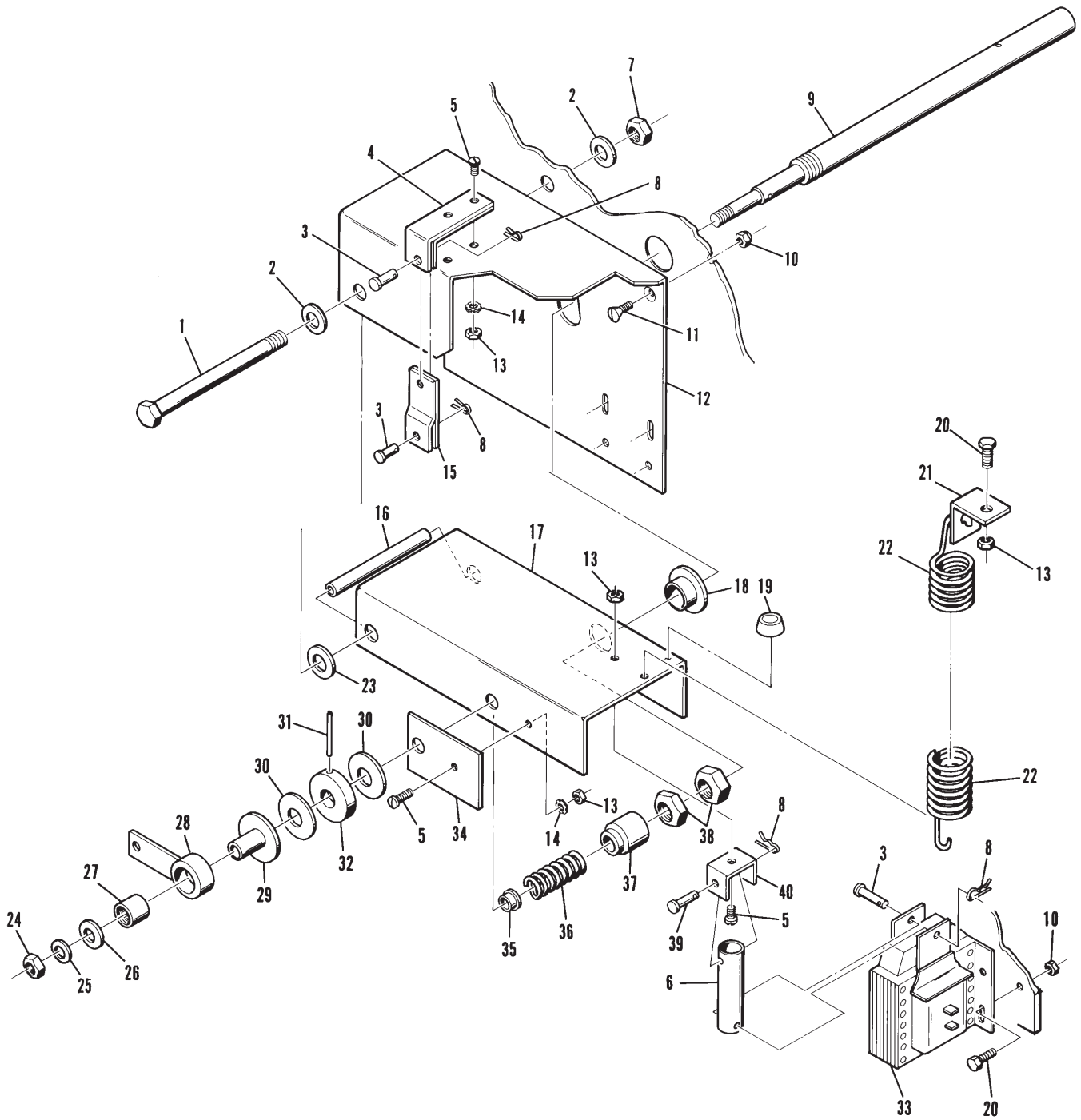


**Lustre Kleen Ball Conditioner
Ball Door Assembly**

Index		
No.	Part No.	Description
1.	11-001284-001	Hex Hd. Screw (5/16-18 x 5")
2.	11-190012-001	Flat Washer (5/16)
3.	61-100161-000	Clevis Pin (3/16 x 1-1/4")
4.	N.A.	Bracket
5.	11-013096-001	N.A. Pan Hd. Machine Screw (#10-32 x 1/2")
6.	N.A.	Solenoid Linkage
7.	11-125009-001	Hex Nut (5/16-18)
8.	N.A.	Hair Pin Clip (3/64 x 9/16)
9.	61-100075-000	N.A. Shaft
10.	11-170007-001	Locknut (1/4-20)
11.	11-014148-002	Flat Hd. Screw (1/4-20 x 3/4")
12.	N.A.	Compound Housing
13.	11-125005-001	Hex Nut (#10-32)
14.	11-198003-001	Star Washer (#10)
15.	61-100147-000	N.A. Clutch Arm Assembly
16.	61-100079-000	N.A. Hinge Spacer
17.	61-100065-000	N.A. Compound Hinge Housing
18.	61-100082-000	N.A. Bearing
19.	61-100220-000	N.A. Rubber Bumper
20.	11-001180-001	Hex Hd. Screw (1/4-20 x 5/8")
21.	61-100062-000	N.A. Bracket
22.	61-100099-000	N.A. Spring
23.	61-100213-000	N.A. Thrust Washer
24.	N.A.	Locknut (5/16-24)
25.	61-100219-000	N.A. Bellville Washer (5/16)
26.	61-100069-000	N.A. Flat Washer
27.	61-100214-000	N.A. Roller Clutch Bearing
28.	61-100146-000	N.A. Clutch Arm
29.	61-100074-000	Clutch Spindle
30.	61-100080-000	N.A. Clutch Pad
31.	11-345162-000	N.A. Roll Pin (1/8 x 1")
32.	61-100067-000	N.A. Facing
33.	61-860135-014	N.A. Solenoid
34.	61-100066-000	N.A. Clutch Face
35.	61-100081-000	N.A. Bearing
36.	61-100217-000	N.A. Clutch Spring
37.	61-100068-000	N.A. Spring Collar
38.	11-125214-001	N.A. Hex Nut
39.	N.A.	Clevis Pin (3/16 x 1/2")
40.	N.A.	Bracket

N.A. = No Longer Available

Lustre Kleen Ball Conditioner Compound Actuator Assembly



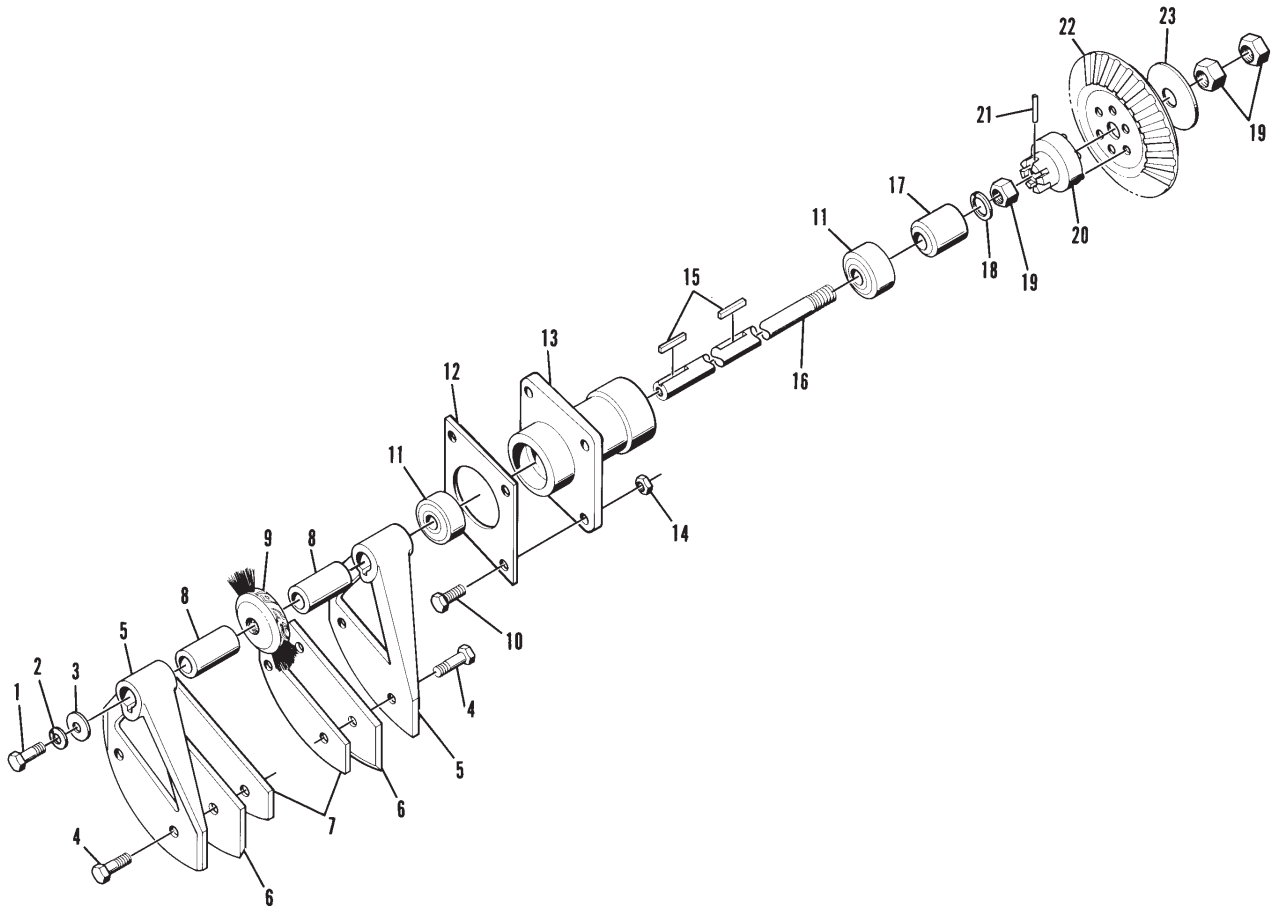
**Lustré Kleen Ball Conditioner
Compound Actuator Assembly**

Index

No.	Part No.		Description
1.	11-001182-001		Hex Hd. Screw (1/4-20 x 3/4")
2.	11-195014-001		Lockwasher (1/4)
3.	11-190530-001		Flat Washer (9/32)
4.	11-001062-001		Hex Hd. Screw (#10-24 x 3/4")
5.	14-400021-000	N.A.	Oscillator Arm
6.	14-400022-000		Rubber Bumper
7.	14-400029-000	N.A.	Backing Plate
8.	N.A.		Spacer
9.	14-400223-000		Brush
10.	11-001264-001		Hex Hd. Bolt (5/16-18 x 1")
11.	11-430028-000		Ball Bearing
12.	14-400030-000		Support Plate
13.	14-400027-000	N.A.	Bearing Housing
14.	11-170009-001		Locknut (5/16-18)
15.	12-100187-009		Square Key
16.	N.A.		Shaft
17.	12-400321-000		Spacer
18.	11-195020-001		Lockwasher (5/8)
19.	11-125213-001		Hex Nut (5/8-18)
20.	11-360415-001		Spirol Pin (5/32 x 1-1/8")
21.	12-400322-000		Adjusting Nut
22.	12-400317-002		Gear
23.	12-400323-000		Special Washer

N.A. = No Longer Available

**Lustre Kleen Ball Conditioner
Oscillator Assembly**



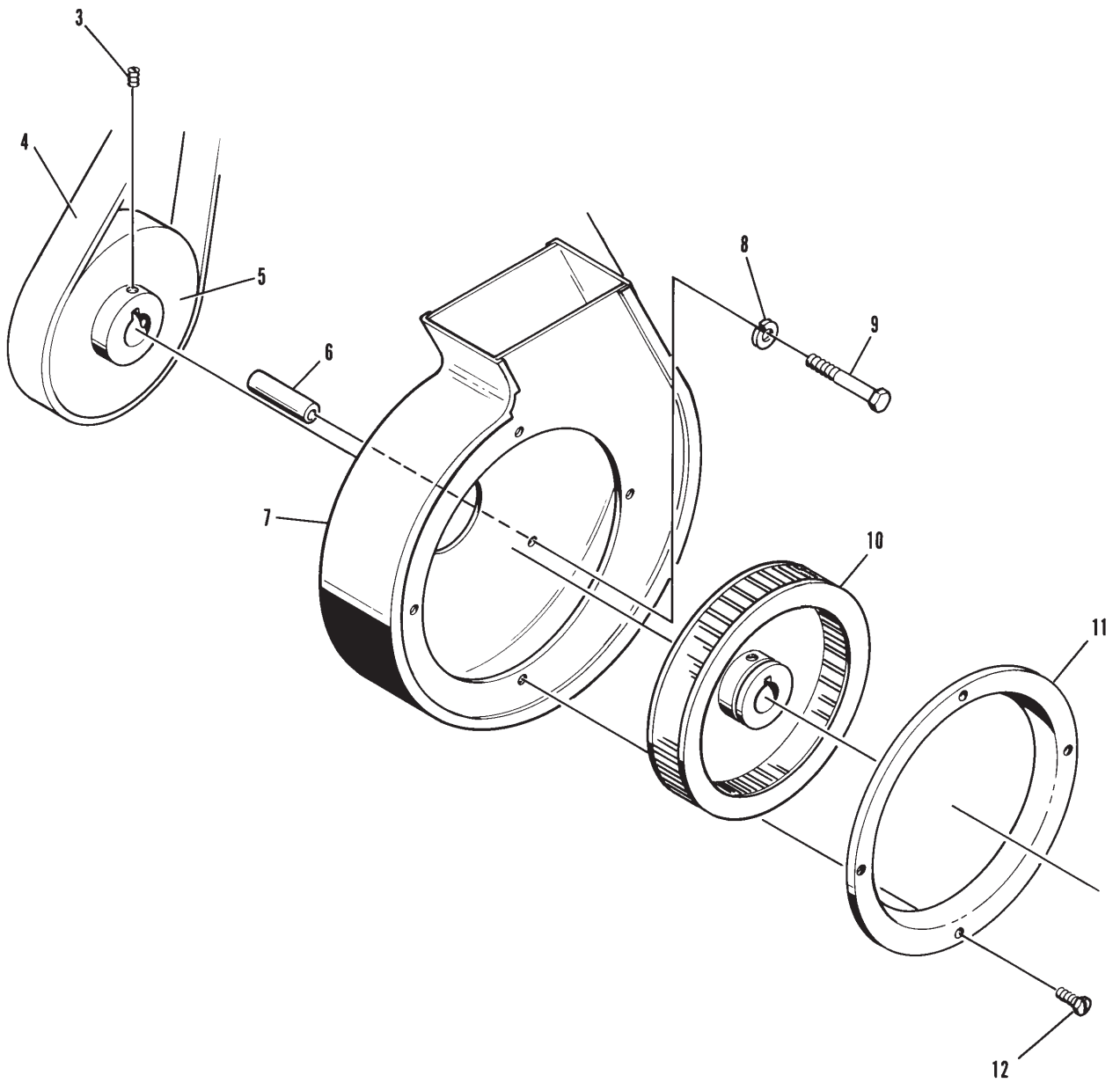
**Lustrer Kleen Ball Conditioner
Oscillator Assembly**

Index

No.	Part No.		Description
1.	14-400202-000	N.A.	Air Duct
2.	11-335269-001	N.A.	Pin (1/8 x 3")
3.	11-101578-001	N.A.	Set Screw (1/4-20 x 3/8)
4.	10-635117-000		Flat Belt
	14-600032-000		V-Belt
5.	14-400037-000	N.A.	Flat Motor Pulley
	N.A.		V-Belt Pulley - 5-1/4" O.D.
6.	10-386140-000	N.A.	Spacer (9/32 x 2-7/16)
7.	10-725025-000	N.A.	Blower Housing
8.	11-195014-001		Lockwasher (1/4)
9.	11-001196-001		Hex Hd. Screw (1/4-20 x 3")
10.	10-725051-000	N.A.	Blower Housing
11.	N.A.		Inlet Ring
12.	11-082030-001	N.A.	Hex Hd. Machine Screw (#6 x 1/4)

N.A. = No Longer Availabe

**Lustre Kleen Ball Conditioner
Ventilation System**

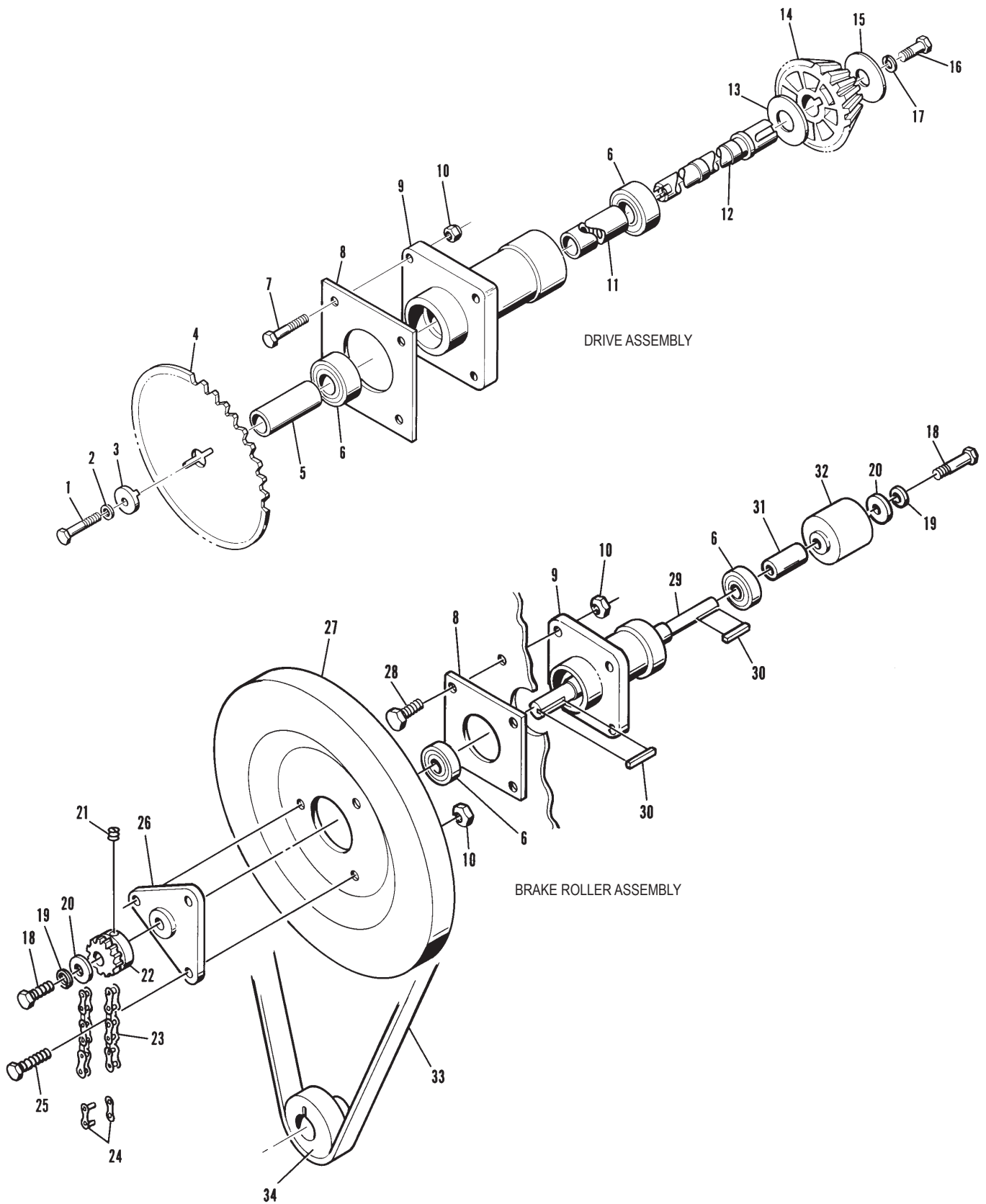


**Lustre Kleen Ball Conditioner
Ventilation System**

Index

No.	Part No.	Description
1.	11-002005-001	Hex Hd. Cap Screw (1/4-20 x 1-1/4")
2.	11-196012-001	Flat Washer (1/4")
3.	14-400012-003	Drive Spacer
4.	14-400015-000	Sprocket
5.	10-386123-000	N.A. Spacer
6.	11-430028-000	Ball Bearing
7.	11-001265-001	Hex Hd. Cap Screw (5/16-18 x 1-1/8")
8.	14-400030-000	Support Plate
9.	14-400027-000	Bearing Housing
10.	11-170009-001	Nylon Locknut (5/16-18)
11.	N.A.	Spacer
12.	14-400017-000	Shaft
13.	12-400139-005	Flat Washer
14.	12-400317-003	Pinion
15.	12-400318-000	Flat Washer
16.	11-001343-001	Hex Hd. Cap Screw (3/8-16 x 7/8")
17.	11-195016-001	Lockwasher (3/8")
18.	11-001182-00	Hex Hd. Cap Screw (1/4-20 x 3/4")
19.	11-195014-001	Lockwasher (1/4")
20.	11-190530-001	Flat Washer
21.	11-105200-001	Set Screw (5/16-18 x 1/4")
22.	10-481001-000	N.A. Sprocket
23.	11-601003-000	N.A. Roller Chain
24.	11-600005-000	Connecting Link
25.	N.A.	Hex Hd. Cap Screw (5/16-18 x 3/4")
26.	14-400011-000	N.A. Hub
27.	53-520063-000	Pulley
28.	11-001264-001	Hex Hd. Cap Screw (5/16-18 x 1")
29.	14-400013-000	Shaft
30.	12-100187-013	Key (3/16 x 3/16 x 1-7/16)
31.	10-386122-000	Spacer (41/64 x 1-3/4)
32.	14-400036-000	Ball Roller Assembly
33.	10-635122-000	Flat Belt
34.	14-400040-000	Motor Pulley

N.A. = No Longer Available



**Lustré Kleen Ball Conditioner
Drive & Brake Roller Assemblies**

Intentionally Blank Page

Section P

LUSTRE KING

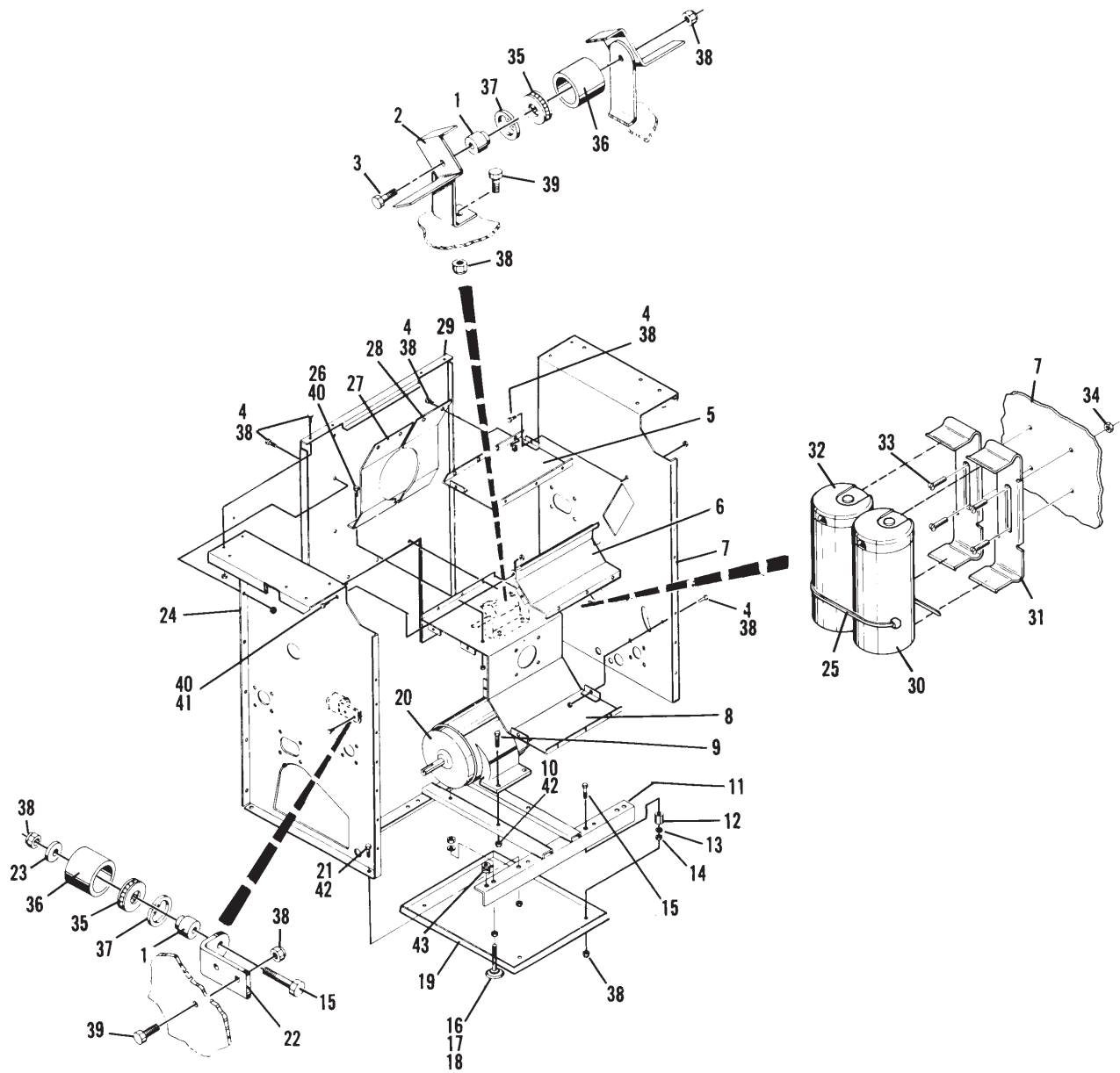
Index

No.	Part No.	Description
1.	14-400068-000	Spacer
2.	N.A.	Guard Assembly
3.	11-001193-001	Hex Hd. Cap Screw (1/4 x 2-1/4")
4.	11-001180-001	Hex Hd. Cap Screw(1/4-20 x 5/8")
5.	N.A.	Upper Baffle
6.	N.A.	Front Baffle
7.	N.A.	R.H. Side Frame (Serial # to 2439)
	N.A.	R.H. Side Frame (Serial #2440 and up)
8.	N.A.	Baffle Assembly
9.	11-001346-001	Hex Hd. Cap Screw (3/8-16 x 1-1/4")
	11-001273-001	Hex Hd. Cap Screw (5/16-18 x 2-1/4")
10.	11-170011-001	Self Locking Nut (3/8-16)
11.	N.A.	Lower Frame
12.	N.A.	Spacer
13.	11-195014-001	Lockwasher (1/4)
14.	11-125200-001	Hex Jam Nut (1/4-20)
15.	11-001190-001	Hex Hd. Cap Screw (1/4-20 x 1-3/4")
16.	11-195018-001	Lockwasher (1/2)
17.	11-125108-001	Hex Nut (1/2-13)
18.	N.A.	Adjustable Foot
19.	N.A.	Pan
20.	14-860023-000	N.A. Motor - 115/230v 50/60 Hz (See Note)
21.	11-001262-001	Hex Hd. Cap Screw (5/16-18 x 3/4")
22.	14-400034-000	N.A. Bracket
23.	11-190530-001	Flat Washer (1/4)
24.	N.A.	L.H. Side Frame (Serial # to 2174)
	N.A.	L.H. Side Frame (Serial #2175 and up)
25.	N.A.	Cable Tie
26.	N.A.	Hex Hd. Cap Screw (10-24 x 9/16")
27.	N.A.	L.H. Baffle
28.	N.A.	R.H Baffle
29.	N.A.	Rear Frame
30.	11-696211-000	Capacitor (Use with 14-860023)
31.	14-400429-002	N.A. Mounting Bracket
32.	14-400429-003	N.A. Capacitor Cap
33.	11-014084-001	N.A. Sltd. Flat Hd. Machine Screw (10-24 x 1/2")
34.	11-170104-001	Self Locking Nut (10-24)
35.	11-430037-000	Ball Bearing
36.	14-400105-000	N.A. Guide Roller
37.	11-531504-000	Retaining Ring
38.	11-170007-001	Self Locking Nut (1/4-20)
39.	11-001182-001	Hex Hd. Cap Screw (1/4-20 x 3/4")
40.	11-170005-001	Self Locking Nut (10-24)
41.	N.A.	Hex Hd. Cap Screw (10-24 x 1/2")
42.	11-170009-001	Self Locking Nut (5/16-18)
43.	14-400272-000	N.A. Grommet

N.A. = No Longer Available

NOTE: Used on Astroline Models Serial #2603 thru 2963, 3104 and up, all Astro 2 models and all "2000" model Lustre Kings.

Lustre King Ball Conditioner Cabinet & Frame Assembly

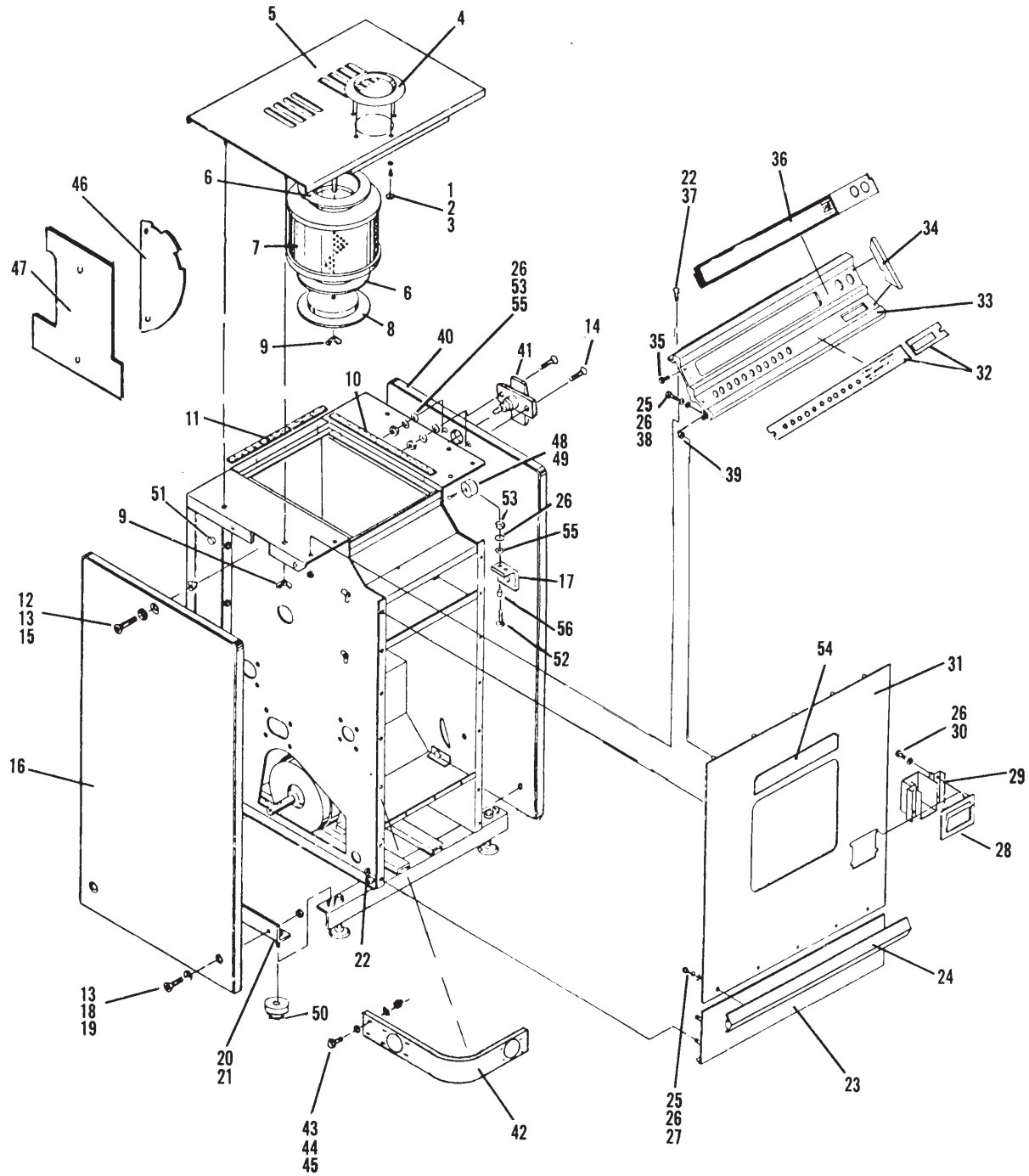


**Lustre King Ball Conditioner
Cabinet & Frame Assembly**

Index			Index		
No.	Part No.	Description	No.	Part No.	Description
1.	11-253008-001	N.A. Plug Button	32.	N.A.	Decal (Black/Gold)
2.	N.A.	C.R. Rd. Hd. Self Tapping Screw (#8 x 1/2")		N.A.	Decal (Astroline Black/White)
3.	11-195008-001	Lockwasher (#8)	14-400492-010	N.A.	Decal - "2000" Black/White (25¢ - 50¢ - \$1.00)
4.	N.A.	Ball Ring (Gray)	14-400492-012	N.A.	Conversion Decal (50¢ - 75¢ - \$1.00)
5.	14-400230-002	N.A. Ball Ring - (Brown)	14-400492-022	N.A.	Decal - "2000" Black/ White (50¢ - 75¢ - \$1.00)
	N.A.	Top Assembly (Gray)			Control Panel Only
	N.A.	Top Assembly ("2000" Brown Spatter)	33.	N.A.	End Bock
6.	14-400165-000	Filter Gasket	34.	N.A.	Self Tapping Hex Hd. Washer Screw (#8 x 3/8")
7.	14-400147-000	Filter	35.	11-081010-001	N.A. Decal (Black/Gold)
8.	14-400164-000	Filter Retainer	36.	N.A.	Decal (Blue/White)
9.	11-149003-001	Self Locking Wing Nut (10-24)	37.	N.A.	Hex Hd. Cap Screw (10-24 x 1/2")
10.	14-400167-000	Cover Gasket (10-7/8")	38.	11-010081-001	Hex Hd. Cap Screw (10-24 x 3/4")
11.	14-400166-000	Cover Gasket (13-3/4")	39.	10-386143-000	Spacer
12.	N.A.	Flat Socket Hd. Cap Screw (5/16-18 x 1-1/2")	40.	N.A.	R.H. Side Panel Assy. (Wood Grain)
13.	N.A.	Countersunk Lockwasher (5/16)		N.A.	R.H. Side Panel Assy. - Gray (Both Sides)
14.	11-014091-004	N.A. C.R. Flat Hd. Machine Screw (10-24 x 1-1/8")		N.A.	R.H. Side Panel Assy. - Gray (Outside) White (Inside)
15.	N.A.	Quick Release Fastener		14-400491-000	N.A. R.H. Side Panel Assy. - Astro 2 White
16.	N.A.	L.H. Side Panel Assy. (Wood Grain)		N.A.	R.H. Side Panel Assy. - "2000" Ermine White
	N.A.	L.H. Side Panel Assy. - Gray (Both Sides) Serial #2175 and up.	41.	N.A.	Lock w/2 Keys
	N.A.	L.H. Side Panel Assy. - Gray (Both Sides)	42.	11-640051-000	Flush Handle Lock w/2 Keys
	N.A.	L.H. Side Panel Assy. - Gray (Outside) and White (Inside)	43.	N.A.	Brace
	14-400491-000	N.A. L.H. Side Panel Assy. (Astro 2 White)	44.	11-190010-001	Hex Hd. Cap Screw (1/4-20 x 3/4")
	N.A.	L.H. Side Panel Assy. "2000" (Ermine White)	45.	11-170007-001	Flat Washer (1/4)
17.	14-400289-000	Lock Screw Bracket	46.	14-400250-000	Self Locking Nut (1/4-20)
18.	11-014192-004	N.A. C.R. Flat Hd. Machine Screw (5/16-18 x 1-1/4")			Buffing Wheel Adjustment Template
19.	11-170009-001	Self Locking Nut (5/16-18)	47.	14-400247-000	N.A. Roller Adjustment Template
20.	N.A.	L.H. Angle Bracket	48.	N.A.	Rubber Bumper
21.	N.A.	R.H. Angle Bracket	49.	11-082096-001	N.A. Self Tapping C.R. Rd. Hd. Screw (#10 x 1")
22.	11-170005-001	Self Locking Nut (10-24)	50.	14-400272-000	N.A. Grommet
23.	N.A.	Front Panel Assy. (Gray)	51.	N.A.	Rubber Bumper
	N.A.	Front Panel Assy. (Astro 2 Brown)	52.	11-001060-001	Hex Hd. Cap Screw (10-24 x 5/8")
	N.A.	Front Panel Assy. ("2000" Brown Spatter)	53.	11-125004-001	Hex Nut (10-24)
24.	N.A.	Front Moulding	54.	N.A.	Decal - "Door Opens" (Black/Gold)
25.	11-190006-001	Flat Washer (#10)		N.A.	Decal - "Door Opens" (Blue/White)
26.	11-195010-001	Lockwasher (#10)	55.	N.A.	Flat Washer
27.	N.A.	Self Tapping Hex Hd. Washer Screw (#10 x 1/2")	56.	10-386180-000	Spacer (3/16 x 1/4)
28.	N.A.	Coin Receptacle Front			
29.	N.A.	Coin Return Cup			
30.	N.A.	Slt'd. Rd. Hd. Machine Screw (10-32 x 1/2")			
31.	N.A.	Front Panel Assy. (Copper Spatter)			
	N.A.	Front Panel Assy. (Astroline Gray)			
	N.A.	Front Panel Assy. ("2000" Ermine White Spatter)			

N.A. = No Longer Available

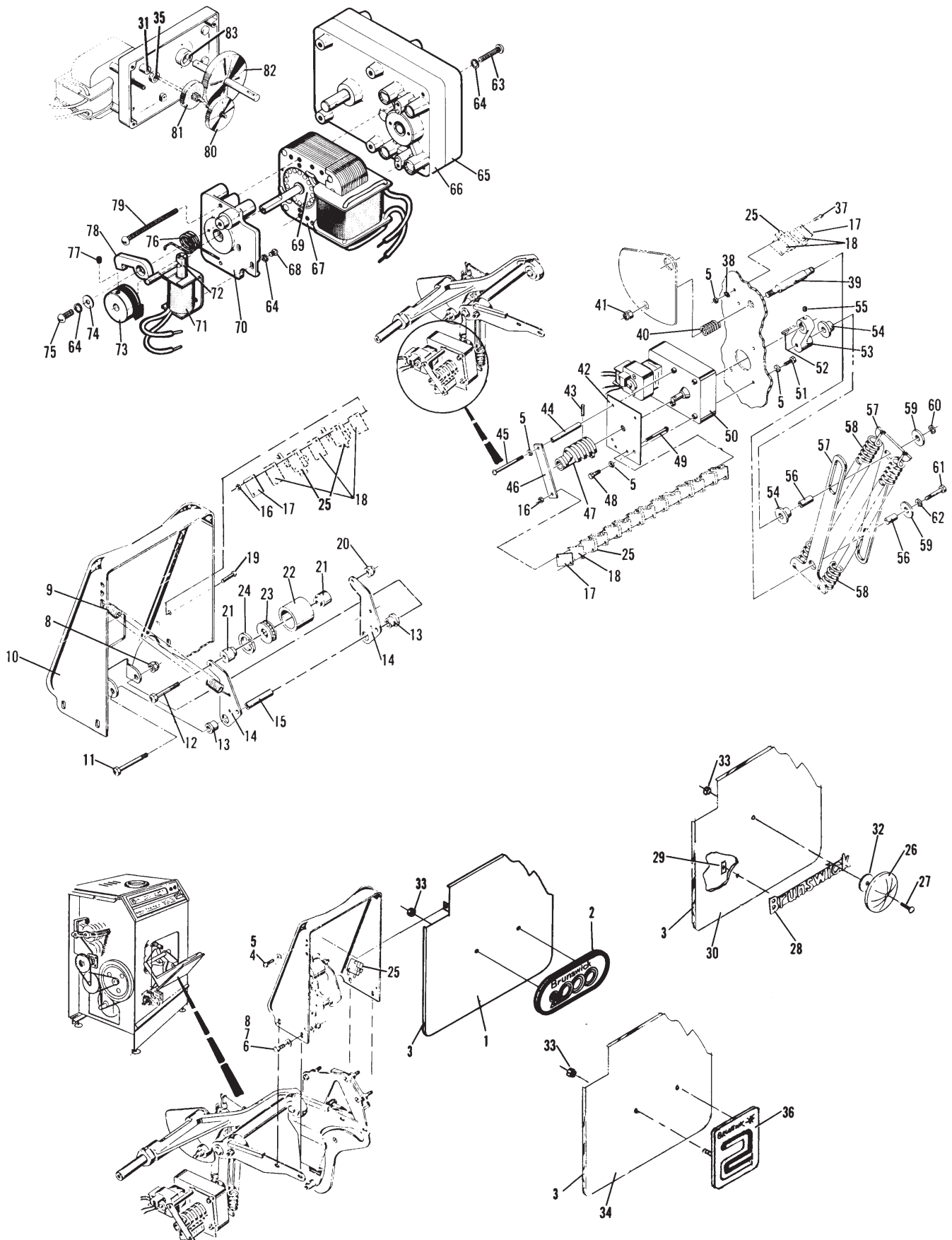
Lustre King Ball Conditioner Cabinet & Frame Assembly



Index			Index		
No.	Part No.	Description	No.	Part No.	Description
1.	N.A.	Door Only ("2000" White Spatter)	40.	N.A.	Spring
	N.A.	Door Assembly - Complete ("2000" White Spatter)	41.	11-170011-001	Self Locking Nut (3/8-16)
2.	N.A.	Emblem Assembly	42.	N.A.	Mounting Plate
3.	14-400222-000	N.A. Door Seal	43.	11-345158-001	Roll Pin (.125 x 3/4)
4.	11-001056-001	N.A. Hex Hd. Cap Screw (10-24 x 3/8")	44.	10-386147-000	N.A. Spacer (7/32 x 2-1/2)
5.	11-195010-001	Lockwasher (#10)	45.	11-107119-001	Slt'd. Rd. Hd. Machine Screw (10-32 x 3")
6.	11-001182-001	Hex Hd. Cap Screw (1/4-20 x 3/4")	46.	N.A.	Brace
7.	11-190010-001	Flat Washer (1/4)	47.	N.A.	Timing Cam
8.	11-170007-001	Self Locking Nut (1/4-20)	48.	11-001096-001	Hex Hd. Cap Screw (10-32 x 3/8")
9.	14-400047-000	N.A. Spring	49.	11-070019-001	N.A. Slt'd. Rd. Hd. Machine Screw (4-40 x 3")
10.	N.A.	Door Track	50.	10-705039-000	N.A. Gear Motor
11.	11-001194-001	Hex Hd. Cap Screw (1/4-20 x 2-1/2")	51.	11-001098-001	N.A. Hex Hd. Cap Screw (10-32 x 1/2")
12.	11-001192-001	Hex Hd. Cap Screw (1/4-20 x 2")	52.	11-050001-000	N.A. Woodruff Key (3/32 x 1/2)
13.	11-421104-000	Oilite Bearing	53.	14-400054-000	N.A. Crank
14.	N.A.	Bracket	54.	11-421116-000	Oilite Bearing
15.	N.A.	Spacer	55.	11-101553-001	Set Screw w/ Nylok (10-24 x 3/8")
16.	11-170000-001	Self Locking Nut (4-40)	56.	10-386129-000	Spacer (17/64 x 15/32)
17.	14-400225-000	N.A. Backing Plate	57.	14-400032-000	Crank Link
18.	11-617501-000	Fabric Insulator	58.	14-400035-000	N.A. Spring
19.	11-107012-001	Slt'd. Rd. Hd. Machine Screw (4-40 x 1-1/4")	59.	11-190511-001	Flat Washer
20.	11-170106-001	Self Locking Nut (1/4-20)	60.	11-530012-001	Retaining Ring
21.	14-400068-000	Spacer	61.	11-001185-001	Hex Hd. Cap Screw (1/4-20 x 1-1/8")
22.	14-400105-000	N.A. Guide Roller	62.	11-195014-001	Lockwasher (1/4)
23.	11-430037-000	Ball Bearing	63.	N.A.	Slt'd. Rd. Hd. Machine Screw (6-32 x 3/4")
24.	11-531504-000	Retaining Ring	64.	11-195006-001	Lockwasher (#6)
25.	11-616014-000	Switch	65.	14-600002-000	Case w/Bearings
26.	N.A.	Blue Emblem	66.	N.A.	Cover w/Bearings
27.	N.A.	Carriage Bolt (10-24 x 3/4")	67.	N.A.	Stator
28.	N.A.	Name Plate	68.	N.A.	Slt'd. Rd. Hd. Machine Screw (6-32 x 1/4")
29.	N.A.	Push On Fastener	69.	N.A.	Rotor Assembly
30.	N.A.	Door Only (Astroline Gray)	70.	N.A.	Bracket Assembly
	N.A.	Door Assembly - Complete (Astroline Gray)	71.	14-600005-000	Solenoid
31.	N.A.	Oilite Bearing	72.	14-600007-000	Plunger
32.	N.A.	Flat Washer	73.	N.A.	Brake Hub Assembly
33.	11-176006-001	Keps Nut (10-24)	74.	N.A.	Brass Washer
34.	N.A.	Door Only (Astro 2 White)	75.	N.A.	Slt'd. Rd. Hd. Machine Screw (6-32 x 5/16")
	N.A.	Door Assembly - Complete (Astro 2 White)	76.	N.A.	Spring
35.	14-600011-000	N.A. Oilite Bearing	77.	N.A.	Set Screw (8-32 x 3/16")
36.	N.A.	Astro 2 Emblem	78.	N.A.	Lever Arm
37.	11-107009-001	N.A. Slt'd. Rd. Hd. Machine Screw (4-40 x 7/8")	79.	11-107034-001	Slt'd. Rd. Hd. Machine Screw (6-32 x 1-3/4")
38.	11-190000-001	Flat Washer (#4)	80.	N.A.	#4 Gear Assy. (1-3/4" Dia.)
39.	14-400067-000	N.A. Connector Shaft	81.	14-600012-000	N.A. #2 Gear Assy. (1-3/8" Dia.)
			82.	N.A.	Output Gear Assembly (2-3/4" Dia.)
			83.	N.A.	Oilite Bearing

N.A. = No Longer Available

Lustre King Ball Conditioner Door Mechanism, Track & Door Motor Assembly

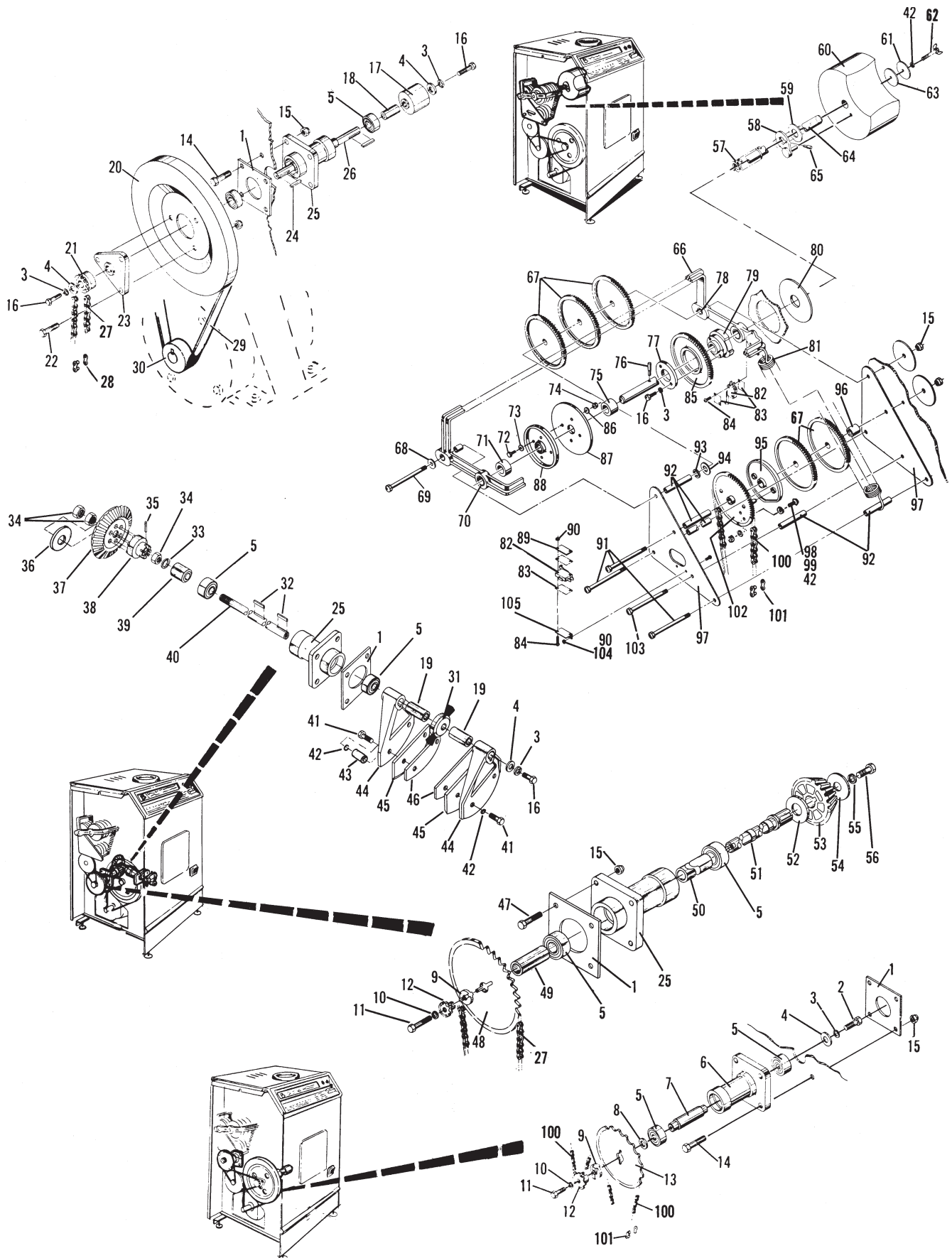


**Lustré King Ball Conditioner
Door Mechanism, Track & Door Motor Assembly**

Index			Index		
No.	Part No.	Description	No.	Part No.	Description
1.	14-400030-000	Support Plate	56.	11-001343-001	Hex Hd. Cap Screw (3/8-16 x 7/8")
2.	11-001180-001	Hex Hd. Cap Screw (1/4-20 x 5/8")	57.	14-400200-000	Spring
3.	11-195014-001	Lockwasher (1/4)	58.	14-400220-000	Compound Drive
4.	11-190530-001	Flat Washer	59.	N.A.	Rubber Washer
5.	11-430028-000	Ball Bearing	60.	14-800003-000	Buffing Compound - Pkg. of 2 (standard)
6.	N.A.	Bearing Housing		14-800005-000	N.A. Buffing Compound - Pkg. of 2 (highly reactive)
7.	N.A.	Shaft		14-800007-000	Lustre Sheen Compound - Pkg. of 2
8.	11-190532-001	N.A. Flat Washer	61.	11-190537-001	Flat Washer
9.	14-400012-003	Drive Spacer	62.	14-400288-000	Thumb Screw Assembly
10.	11-196012-001	Hi-Collar Lockwasher (1/4)	63.	14-400219-003	Rubber Washer
11.	11-002005-001	Hardened Hex Hd. Cap Screw (1/4-20 x 1-1/4")	64.	N.A.	Shaft
12.	14-400016-000	N.A. Pinion Sprocket	65.	11-354003-001	Groove Pin
13.	N.A.	Reducer Sprocket	66.	N.A.	Compound Drive Housing
14.	11-001264-001	Hex Hd. Cap Screw (5/16-18 x 1)	67.	N.A.	Gear
15.	11-170009-001	Self Locking Nut (5/16-18 x 1")	68.	11-190529-001	Flat Washer
16.	11-001182-001	Hex Hd. Cap Screw (1/4-20 x 3/4")	69.	N.A.	Hex Hd. Cap Screw (5/16-18 x 5-3/4")
17.	14-400036-000	Ball Roller Assembly	70.	11-420047-000	Oilite Bearing
18.	10-386122-000	Spacer (41/64 x 1-3/4)	71.	N.A.	Spacer
19.	N.A.	Spacer	72.	11-010060-001	N.A. Slt'd. Hex Hd. Cap Screw (8-32 x 1/2")
20.	53-520063-000	Pulley	73.	11-190004-001	Flat Washer (#8)
21.	10-481001-000	N.A. Sprocket	74.	11-170102-001	Self Locking Nut (8-32)
22.	11-001262-001	Hex Hd. Cap Screw (5/16-18 x 3/4")	75.	N.A.	Spacer
23.	N.A.	Hub	76.	11-340104-001	N.A. Dowel Pin (1/4 x 5/8)
24.	12-100187-013	Square Key (3/16 x 3/16 x 1-7/16")	77.	N.A.	Clamp Ring
25.	14-400027-000	N.A. Bearing Housing	78.	N.A.	Oilite Bearing
26.	14-400013-000	Shaft	79.	N.A.	Gear Hub
27.	11-601003-000	Roller Chain	80.	10-191552-000	N.A. Flat Washer
28.	11-600005-000	Connecting Link	81.	12-100107-000	Spring
29.	10-635122-000	Flat Belt	82.	11-616014-000	Switch
30.	14-400040-000	Motor Pulley	83.	11-617501-000	Fabric Insulator
31.	14-400223-000	Brush	84.	11-107008-001	Slt'd. Rd. Hd. Machine Screw (4-40 x 3/4")
32.	12-100187-009	Square Key (3/16 x 3/16 x 11/16")	85.	N.A.	Gear
33.	11-195020-001	Lockwasher (5/8)	86.	11-190538-001	Flat Washer
34.	11-125213-001	Hex Jam Nut (5/8-18)	87.	14-400449-000	N.A. Guide Plate
35.	11-360415-001	Spirol Pin (5/32 x 1-1/8)	88.	N.A.	Cam Follower
36.	12-400323-000	Special Washer	89.	14-400225-000	N.A. Backing Plate
37.	12-400317-002	Gear	90.	11-170000-001	Self Locking Nut (4-40)
38.	12-400322-000	Adjusting Nut	91.	11-001285-000	Hex Hd. Cap Screw 5/16-18 x 5-1/4)
39.	12-400321-000	Spacer	92.	N.A.	Spacer
40.	N.A.	Shaft	93.	11-534516-000	N.A. Grip Ring
41.	11-001062-001	Hex Hd. Cap Screw (10-24 x 3/4")	94.	11-190016-001	Flat Washer (7/16)
42.	11-198003-001	External Tooth Lockwasher (#10)	95.	N.A.	Cam
43.	10-386115-000	Spacer (7/32 x 3/8)	96.	10-386130-000	N.A. Spacer (29/64 x 1-1/32)
44.	14-400021-000	N.A. Oscillator Arm	97.	N.A.	Adjusting Plate
45.	14-400022-000	Rubber Bumper Only	98.	11-006088-001	B.H. Socket Hd. Machine Screw (10-24 x 1/2")
46.	14-400029-000	N.A. Backing Plate	99.	11-125004-001	Hex Nut (10-24)
47.	11-001265-001	Hex Hd. Cap Screw (5/16-18 x 1-1/8")	100.	11-601002-000	Roller Chain
48.	14-400015-000	Sprocket	101.	11-600010-000	Connecting Link
49.	N.A.	Spacer	102.	N.A.	Sprocket
50.	N.A.	Spacer	103.	N.A.	Hex Hd. Cap Screw (5/16-18 x 4-3/4")
51.	14-400017-000	Shaft	104.	11-107004-001	Slt'd. Rd. Hd. Machine Screw (4-40 x 3")
52.	12-400139-005	Special Washer	105.	N.A.	Switch Mount
53.	12-400317-003	Pinion			
54.	12-400318-000	Special Washer			
55.	11-195016-001	Lockwasher (3/8)			

N.A. = No Longer Available

Lustre King Ball Conditioner Brake Roller & Idler Assembly, Oscillator & Compound Applicator Mechanism

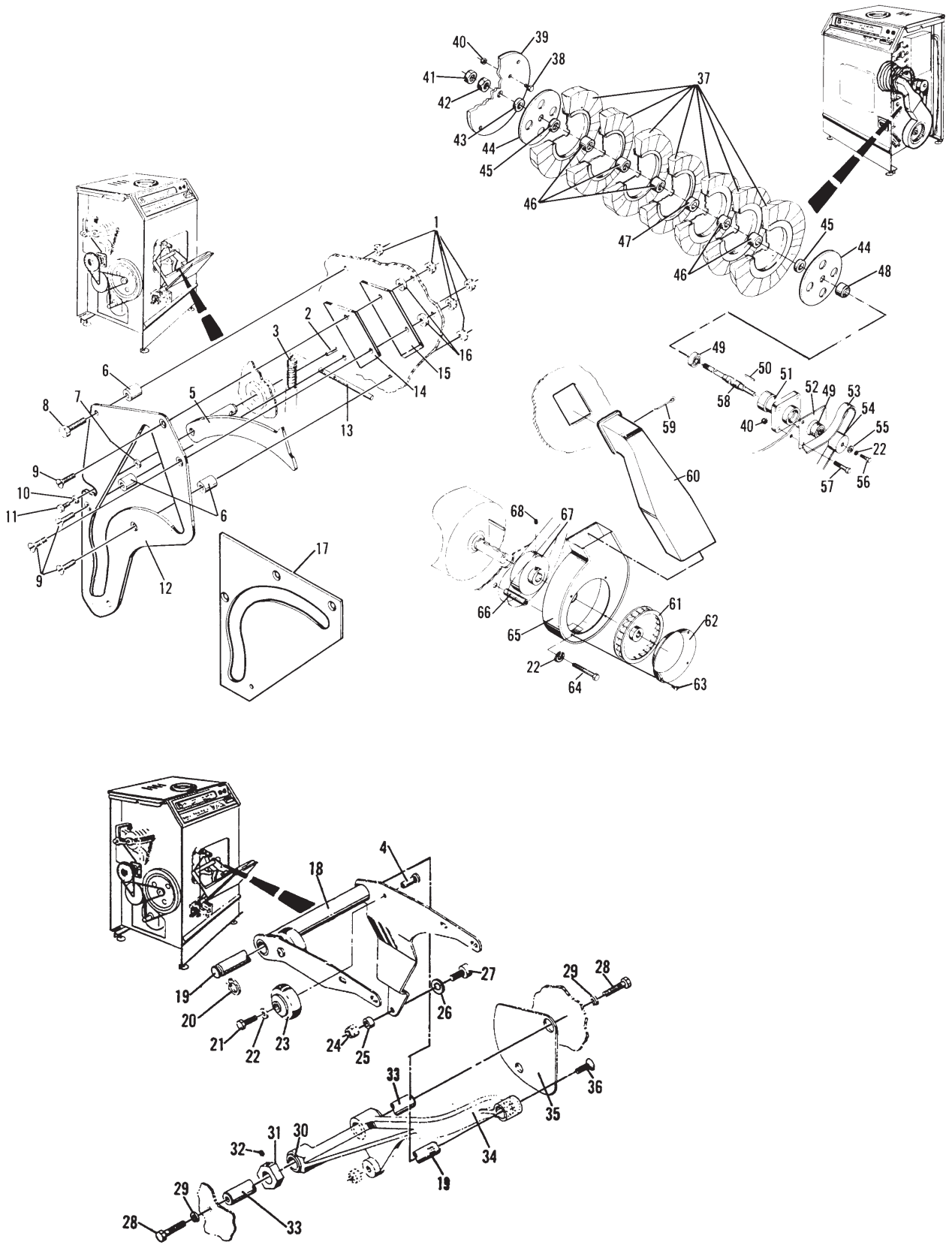


**Lustré King Ball Conditioner
 Brake Roller & Idler Assembly, Oscillator
 & Compound Applicator Mechanism**

Index			Index		
No.	Part No.	Description	No.	Part No.	Description
1.	11-170007-001	Self Locking Nut (1/4-20)	37.	14-860021-000	Buffing Wheel Assembly
2.	N.A.	Roll Pin		14-860131-000	N.A. Set of Spacers
3.	N.A.	Spring	38.	11-001260-001	Hex Hd. Cap Screw (5/16-18 x 5/8")
4.	14-400182-000	N.A. Roller Stud	39.	N.A.	Balance Disc
5.	N.A.	Latch Cam and Pin Assembly	40.	11-170009-001	Self Locking Nut (5/16-18)
6.	N.A.	Spacer	41.	11-125262-001	N.A. Hex Jam Nut - L.H. Thread (5/8-11)
7.	11-190006-001	Flat Washer (#10)	42.	11-126113-001	Hex Nut - L.H. Thread (5/8-11)
8.	11-001185-001	Hex Hd. Cap Screw (1/4-20 x 1-1/8")	43.	14-400308-003	N.A. Spacer
9.	11-007185-001	Flat Socket Hd. Cap Screw (1/4-20 x 1-1/8")	44.	14-400276-000	Plate
10.	11-195010-001	Lockwasher (#10)	45.	14-400310-000	N.A. Spacer
11.	N.A.	Hex Hd. Cap Screw (10-24 x 9/16")	46.	14-400307-000	N.A. Spacer
12.	N.A.	Door Cam (to Serial #1461)	47.	14-400308-002	N.A. Spacer
13.	N.A.	Cam Handle	48.	14-400309-000	N.A. Spacer
14.	N.A.	Latch	49.	11-430028-000	Ball Bearing
15.	N.A.	Latch	50.	12-100187-014	Square Key (3/16 x 3/16 x 7/8")
16.	N.A.	Spacer	51.	14-400027-000	N.A. Housing
17.	14-400312-000	Door Cam (Serial #1461 and up)	52.	14-400030-000	Support Plate
18.	N.A.	Cradle Assembly	53.	10-635117-000	Flat Belt
19.	14-400033-000	Shaft	54.	14-400039-000	N.A. Buffing Pulley
20.	11-530025-001	Retaining Ring	55.	11-190530-001	Flat Washer
21.	11-001180-001	Hex Hd. Cap Screw (1/4 x 5/8")	56.	11-001182-001	Hex Hd. Cap Screw (1/4-20 x 3/4")
22.	11-195014-001	Lockwasher (1/4)	57.	11-001264-001	Hex Hd. Cap Screw (5/16-18 x 1")
23.	34-205100-000	Urethane Roller Assembly	58.	14-400025-000	Shaft
24.	11-125012-001	Hex Nut (3/8-24)	59.	11-335269-001	N.A. Cotter Pin (1/8 x 3)
25.	10-386007-000	N.A. Spacer (13/32 x 3/8)	60.	14-400202-000	N.A. Air Duct
26.	11-199007-001	N.A. Internal Tooth Lockwasher (3/8)	61.	10-725051-000	N.A. Blower Wheel
27.	11-480007-000	N.A. Cam Follower	62.	N.A.	Inlet Ring
28.	11-001342-001	Hex Hd. Cap Screw (3/8-16 x 3/4")	63.	11-082030-001	N.A. Self Tapping C.R. Rd. Hd. Screw (#6 x 1/4")
29.	11-195016-001	Lockwasher (3/8)	64.	11-001196-001	Hex Hd. Cap Screw (1/4-20 x 3")
30.	11-421038-000	Oilite Bearing	65.	10-725025-000	N.A. Blower Housing
31.	12-400300-000	Collar	66.	10-386140-000	N.A. Spacer (9/32 x 2-7/16)
32.	N.A.	Set Screw (5/16-18 x 1/4")	67.	14-400037-000	Motor Pulley
33.	N.A.	Shaft	68.	11-101578-001	N.A. Set Screw w/Nylok (1/4-20 x 3/8")
34.	N.A.	Crank Arm			
35.	N.A.	Cover			
36.	11-007262-001	N.A. Flat Socket Hd. Cap Screw (5/16-18 x 3/4")			

N.A. = No Longer Available

**Lustre King Ball Conditioner
Cam Assembly, Cradle Assembly,
Buffing Wheel & Ventilation System**



**Lustr King Ball Conditioner
Cam Assembly, Cradle Assembly,
Buffing Wheel & Ventilation System**

Index			Index		
No.	Part No.	Description	No.	Part No.	Description
1.	11-001060-001	Hex Hd. Cap Screw (10-24 x 5/8")	26.	N.A.	Coin Tube Assembly
2.	11-195010-001	Lockwasher (#10)	27.	N.A.	Rod
3.	10-386143-000	N.A. Spacer (25/64 x 1/4)	28.	N.A.	Nylon Bearing
4.	11-190006-001	Flat Washer (#10)	29.	N.A.	Upper Rod Guide
5.	N.A.	Plunger	30.	11-190010-001	Flat Washer (1/4)
6.	14-400190-000	Spring	31.	11-170007-001	Self Locking Nut (1/4-20)
7.	14-400145-000	N.A. Coin Insert	32.	N.A.	Reset Lever
8.	14-400186-000	N.A. Special Washer	33.	11-001184-001	Hex Hd. Cap Screw (1/4-20 x 1")
9.	11-007021-001	Flat Socket Hd. Cap Screw (6-32 x 3/8")	34.	N.A.	Lower Rod Guide
10.	N.A.	Insert Bracket	35.	11-537015-001	N.A. Retaining Ring
11.	11-081010-001	N.A. Self Tapping Hex Hd. Washer Screw (#8 x 3/8")	36.	N.A.	Hex Hd. Cap Screw (8-32 x 7/16")
12.	N.A.	Mounting Bracket	37.	N.A.	Coin Chute and Box Assy.
13.	N.A.	Slt'd. Rd. Hd. Machine Screw (6-32 x 1/4")	38.	11-010076-001	Slt'd. Hex Hd. Cap Screw (10-24 x 3/8")
14.	11-198001-001	External Tooth Lockwasher (#6)	39.	N.A.	Coin Box Only
15.	N.A.	Wire Assembly	*40.	11-640001-000	N.A. Lock Assembly w/Keys
16.	11-612006-000	N.A. Terminal	41.	N.A.	Mechanism Cover
17.	N.A.	Terminal Block	42.	N.A.	Slt'd. Rd. Hd. Machine Screw (6-32 x 1/2")
18.	N.A.	Spacer	43.	N.A.	Spring
19.	N.A.	Slt'd. Rd. Hd. Machine Screw (6-32 x 1-1/2")	44.	N.A.	Terminal
20.	11-195006-001	Lockwasher (#6)	45.	N.A.	Slt'd. Rd. Hd. Machine Screw (8-32 x 3/16")
21.	11-190002-001	Flat Washer (#6)	**46.	N.A.	Rejector and Accumulator Assembly
22.	11-125001-001	Hex Nut (6-32)	47.	N.A.	Mounting Bracket
23.	N.A.	Slt'd. Rd. Hd. Machine Screw (8-32 x 1/4")	48.	10-386147-000	N.A. Spacer (7/32 x 2-1/2)
24.	11-198002-001	External Tooth Lockwasher (#8)	49.	11-195008-001	Lockwasher (#8)
25.	N.A.	Slt'd. Rd. Hd. Machine Screw (10-24 x 2-1/2")	50.	N.A.	Slt'd. Rd. Hd. Machine Screw (8-32 x 1/2")

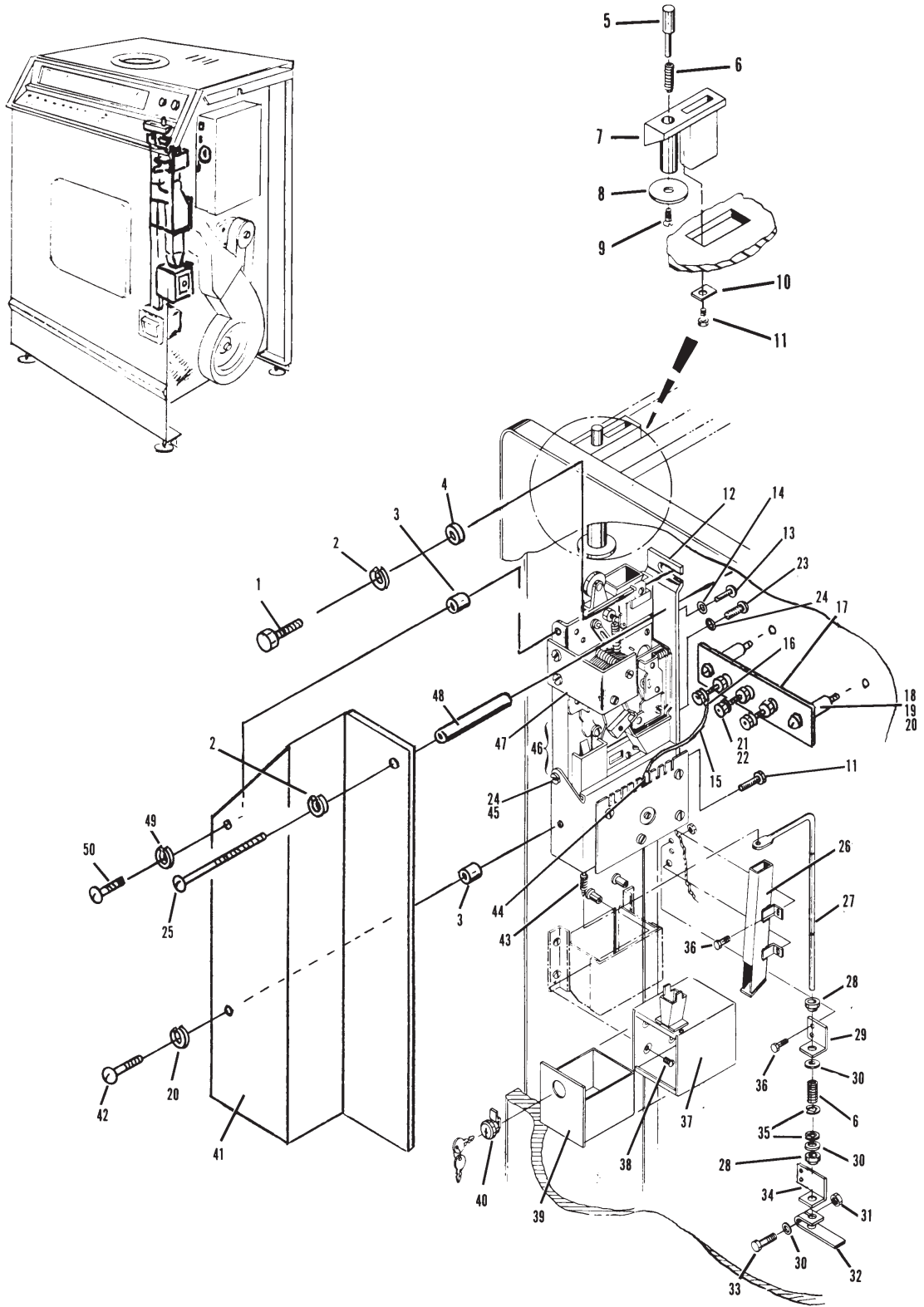
N.A. = No Longer Available

* To secure additional keys, order directly from: Chicago Lock Company, 4311 W. Belmont Avenue, Chicago, Illinois 60640. Specify Lock Model #3786-6T and individual key number.

** Service parts for the Coin Mechanism (Index No. 46) are not stocked by Brunswick. Please refer to the Service Manual (14-400003-000) for the name and address of a National Rejector Repair Station near you.

NOTE: Conversion to quarters only order part number 14-860137-000.

Lustre King Ball Conditioner Coin Mechanisms



Lustr King Ball Conditioner
Coin Mechanisms

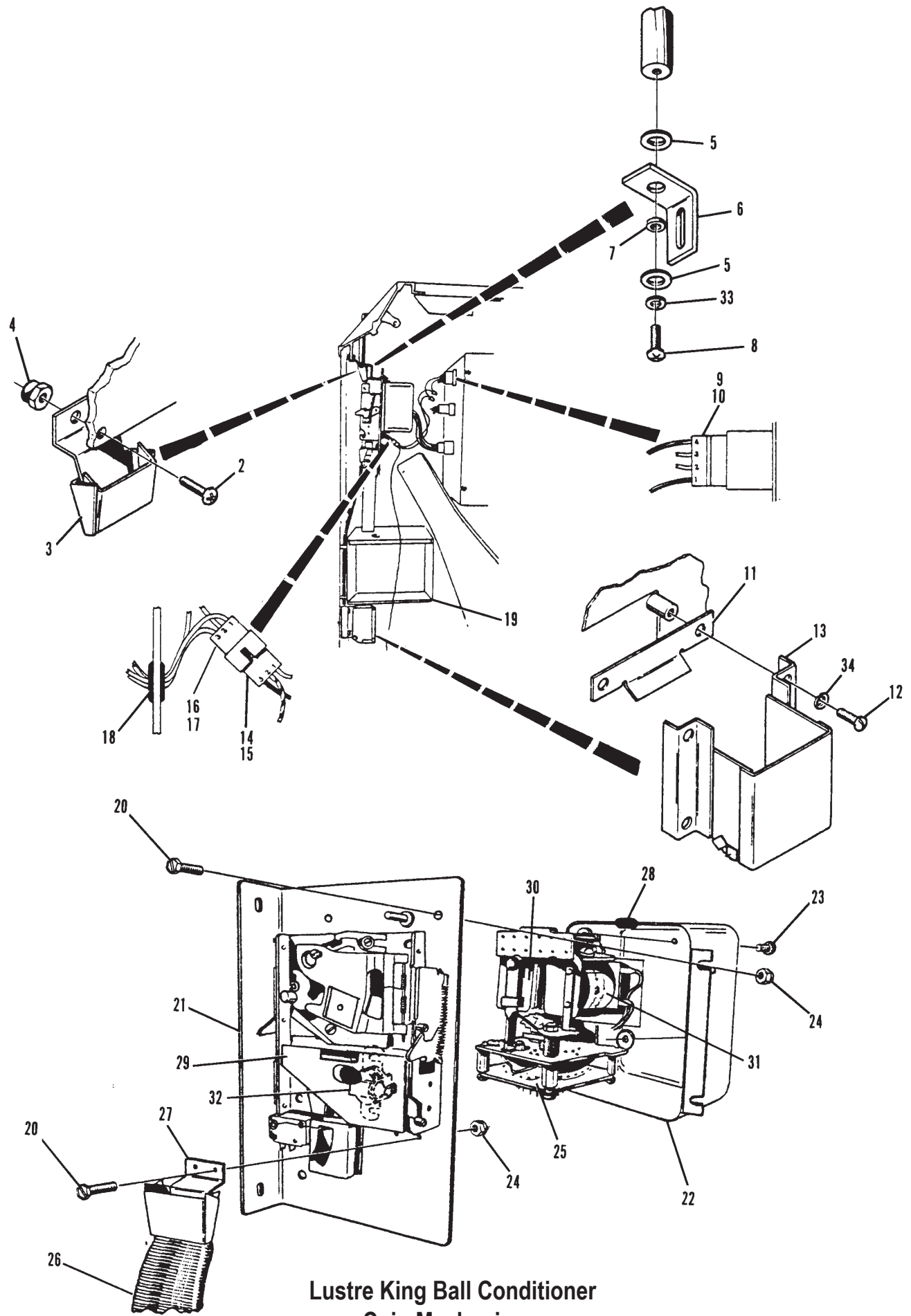
Index			Index		
No.	Part No.	Description	No.	Part No.	Description
1.	*14-860137-002	N.A. Single Coin (25¢)	25.	14-400466-000	N.A. Stepper Switch Assy. (25¢)
	*N.A.	Conversion Kit - Complete		N.A.	Stepper Switch Assy. (50¢)
		Single Coin (Canada 25¢)	26.	14-400458-000	N.A. Coin Channel
		Conversion Kit - Complete	27.	14-400464-000	N.A. Lower Coin Slide
2.	N.A.	C.R. Pan Hd. Machine	28.	N.A.	Grommet
		Screw (#8-32 x 1/2")	29.	**14-400484-002	USA - 25¢
3.	14-400461-000	N.A. Upper Coin Slide Assembly		14-400484-003	N.A. Canada - 25¢
4.	11-170102-001	Self Locking Nut (8-32)		**N.A.	Japan - 100 Yen
5.	11-190528-001	Flat Washer		**N.A.	Germany - 1 Deutschmark
6.	14-400472-000	N.A. Rejector Lever		**N.A.	Yugoslavia - 1 Dinar
7.	10-386225-000	N.A. Spacer (5/32 x 9/54)		**N.A.	France - 1 Franc
8.	11-022276-001	N.A. C.R. Pan Hd. Machine		**N.A.	Switzerland - 1 Franc
		Screw		**N.A.	Italy - 100 Lira
		w/Nylok (#6-32 x 5/8")		**N.A.	Spain - 25 Peseta
9.	11-680002-000	N.A. Connector Plug (4 Con-		**N.A.	Belgium - 5 Franc
		tacts)		**N.A.	Sweden - 1 Krona
10.	11-612301-000	N.A. Contact		**N.A.	England - 10 Pence
11.	14-400479-000	N.A. Coin Deflector		**N.A.	Holland - 1 Guilder
12.	N.A.	Slt'd. Rd. Hd. Machine		**N.A.	Venezuela - 1 Bolivar
		Screw (#10-32 x 1/2")		**N.A.	Austria - 5 Shilling
13.	N.A.	Coin Return Cup		**N.A.	Australia - 20¢
14.	11-680101-000	Connector Plug (3 Con-		**N.A.	Malasia - 20¢
		tacts)		**N.A.	South Korea - 500 Won
15.	11-680302-000	N.A. Terminal		**N.A.	Saudi Arabia - 1 Riyal
	57-860032-000	R.O. Terminal - Male (Pkg. of 10)		**N.A.	Hong Kong - 1/2 Dollar
16.	11-680201-000	Receptacle (3 Contacts)		**N.A.	Lebanon - 25 Piastre
17.	11-680301-000	N.A. Terminal		**N.A.	Brazil - 1 Cruzeiro
	57-860031-000	R.O. Terminal - Female (Pkg. of		**N.A.	Kuwait - 50 Fils
		20)		**N.A.	Panama - 25 Centesimos
18.	N.A.	Nylon Bushing		**N.A.	British Honduras - 50
19.	14-400482-000	N.A. Coin Box and Chute Assy.		**N.A.	Centavos
20.	11-010024-001	N.A. Slt'd. Hex Hd. Machine		**N.A.	Dubai - 1 Dirham
		Screw (#6-32 x 1/2")		**N.A.	Saudi Arabia - 100 Halala
21.	N.A.	Mounting Bracket		**N.A.	Singapore - 20¢
22.	N.A.	Accumulator Box		**N.A.	Kuwait - 100 Fils
23.	N.A.	Slt'd. Rd. Hd. Sems	30.	11-672703-000	N.A. Stepper Coil
		Machine Screw (#8-32 x	31.	11-672704-000	Reset Coil
		5/16")	32.	14-400496-000	Coin Rejector Coil
24.	11-170002-001	Self Locking Nut (#6-32)	33.	11-195006-001	Lockwasher (#6)
			34.	11-195010-001	Lockwasher (#10)

N.A. = No Longer Available

* Not Illustrated

** Service parts for the Coin Mechanisms (Index No. 29) are not stocked by Brunswick. They must be obtained from:
Coin Mechanisms, Inc.,
817 Industrial Drive
Elmhurst, Illinois 60126.
Telephone: (708) 924-7070.

Lustre King Ball Conditioner Coin Mechanisms



**Lustré King Ball Conditioner
Coin Mechanisms**

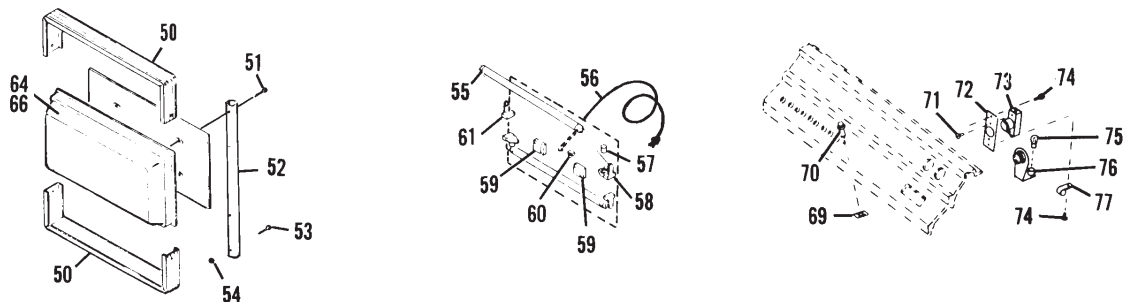
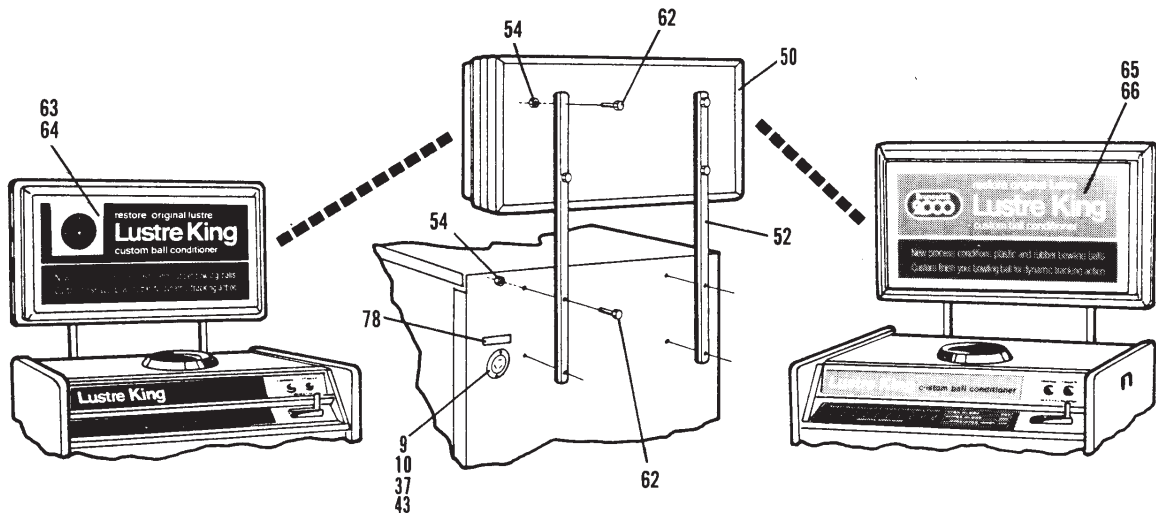
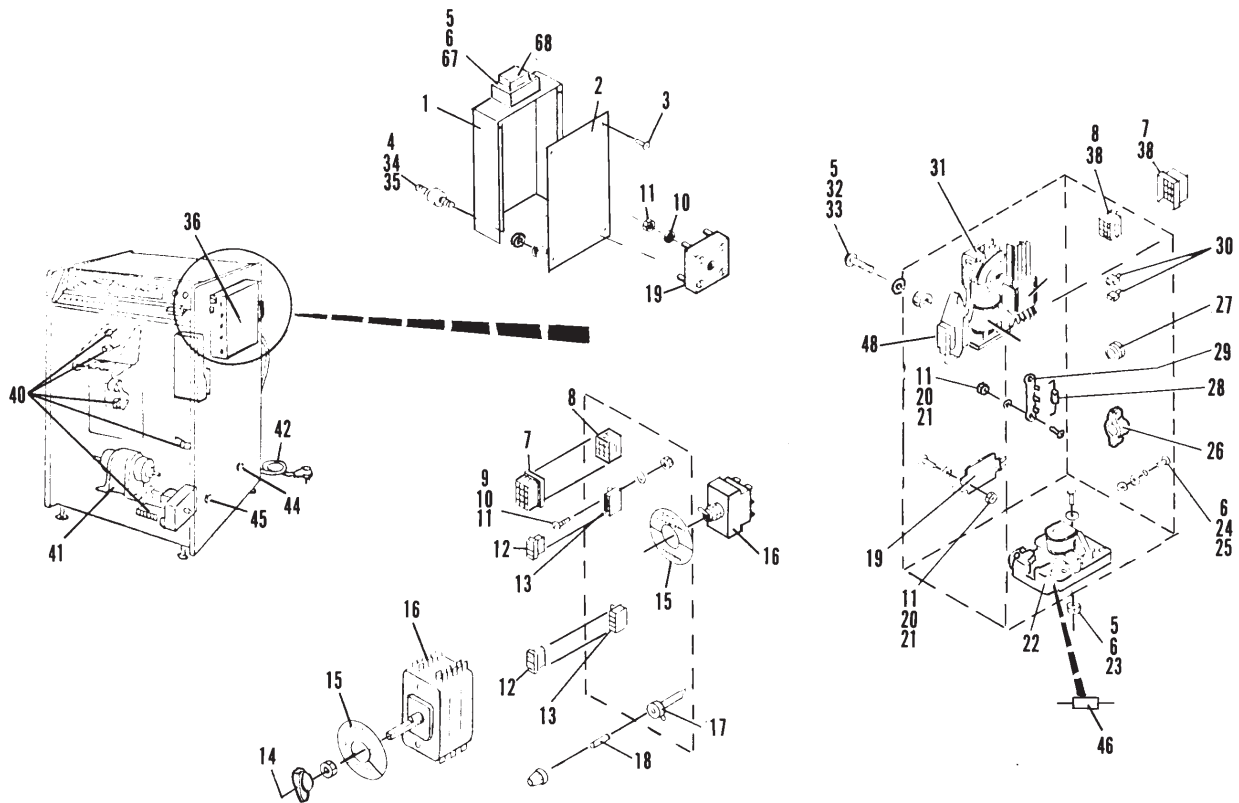
Index			Index		
No.	Part No.	Description	No.	Part No.	Description
1.	N.A.	Electrical Box Only	43.	N.A.	3 Wire Outlet
2.	N.A.	Box Cover	44.	11-651003-000	Grommet
3.	11-013056-001	N.A. Slt'd. Pan Hd. Machine Screw (8-32 x 1/4")	45.	N.A.	Grommet
4.	10-675004-000	N.A. Rubber Mount	46.	11-693013-000	N.A. Diode (1N4005)
5.	11-195008-001	Lockwasher (#8)	47.	*11-696211-000	Capacitor (Use with 10-705036)
6.	11-125003-001	Hex Nut (8-32)	48.	10-679352-004	N.A. Interrupter Contact Switch
7.	11-680503-000	N.A. Connector (12 Contacts)	49.	*10-679352-003	N.A. OFF - Normal Contact Switch
8.	11-680003-000	N.A. Connector Plug (12 Contacts)	50.	N.A.	Aluminum Frame - 1/2 Section
9.	N.A.	Slt'd. Rd. Hd. Machine Screw (6-32 x 1/2")	51.	11-001188-001	Hex Hd. Cap Screw (1/4-20 x 1-1/2")
10.	11-195006-001	Lockwasher (#6)	52.	N.A.	Leg (Astroline Gray)
11.	11-124001-001	N.A. Hex Nut (6-32)		N.A.	Leg (Astro 2 White)
12.	11-680002-000	N.A. Connector Plug (4 Contacts)		N.A.	Leg ("2000" Ermine White)
13.	N.A.	Connector (4 Contacts)	53.	11-001186-001	Hex Hd. Cap Screw (1/4-20 x 1-1/4")
14.	11-616500-000	N.A. Knob	54.	11-170007-001	Self Locking Nut (1/4-20)
15.	N.A.	Decal - "5 Minutes"	55.	11-675102-000	N.A. Lamp - 20 Watt
	N.A.	Decal - "2 Minutes"	56.	N.A.	Cord w/Plug
16.	N.A.	Rotary Switch	57.	N.A.	Lamp Starter - 20 Watt
	11-615512-000	Toggle Switch	58.	N.A.	Lampholder w/Starter Socket
17.	11-685127-000	Fuse Holder	59.	14-400295-004	N.A. Ballast - 115V 60 Hz
18.	11-684005-000	Fuse - 3 Amp Slow Blow		11-675677-000	N.A. Ballast - 115V 50 Hz
19.	14-860184-000	N.A. Rectifier Conversion Kit	60.	14-400295-008	N.A. Switch
	N.A.	Bridge Rectifier - S6221-2	61.	N.A.	Lampholder w/o Starter Socket
20.	11-107004-001	Slt'd. Rd. Hd. Machine Screw (4-40 x 3/8")	62.	11-001187-000	N.A. Hex Hd. Cap Screw (1/4-20 x 1-3/8")
21.	N.A.	Lockwasher	63.	14-861186-000	N.A. LED Moving Sign Assembly - Complete
22.	14-860142-000	Contact	64.	14-400267-000	N.A. Warning Label Only
23.	N.A.	Slt'd. Rd. Hd. Machine Screw (8-32 x 1/2")	65.	N.A.	"2000" Sign Assembly - Complete
24.	11-107064-001	Slt'd. Rd. Hd. Machine Screw (8-32 x 3/8")	66.	14-860162-000	"2000" Beveliner Face Only
25.	11-198002-001	External Tooth Lockwasher (#8)	67.	N.A.	Slt'd. Rd. Hd. Machine Screw (8-32 x 2-1/8")
26.	N.A.	Connector (1/2)	68.	14-400446-000	N.A. Autoformer Assembly - for 230 Volt Units
27.	11-651006-000	N.A. Grommet	69.	11-125551-000	Speed Nut (1/2)
28.	11-691036-000	N.A. Resistor (33K Ohm 1/2 Watt)	70.	N.A.	Pilot Light
29.	11-619003-000	Terminal Strip	71.	11-013020-001	Slt'd. Pan Hd. Machine Screw (6-32 x 1/4")
30.	11-609302-000	N.A. Terminal Bushing (115V)	72.	N.A.	Switch Bracket
	11-613510-000	Terminal Tab (230V)	73.	N.A.	Start Switch
31.	N.A.	Stepper Switch Assembly (115V)	74.	N.A.	Self Tapping Hex Hd. Washer Screw (#6 x 1/4")
	N.A.	Stepper Switch Assembly (230V)	75.	11-675505-000	N.A. Lamp - 6S6 DC
32.	N.A.	Slt'd. Rd. Hd. Machine Screw (8-32 x 5/8")	76.	N.A.	Lamp Bracket
33.	10-386034-000	N.A. Spacer (3/16 x 5/16)	77.	N.A.	Wire Clamp
34.	11-195014-001	Lockwasher (1/4)			
35.	11-125007-001	Hex Nut (1/4-20)			
36.	N.A.	Control Box - Complete (115V)			
	N.A.	Control Box - Complete (230V)			
37.	11-125001-001	Hex Nut (6-32)			
38.	11-612301-000	N.A. Contact			
39.	*10-679352-002	N.A. Stepper Switch Coil Only			
40.	11-616014-000	Switch			
41.	14-860023-000	N.A. Motor (115/230 Volt 50/60 Hz) - See Note			
42.	N.A.	Lead Cord - for 115V Units			
	N.A.	Lead Cord - for 230V Units			

N.A. = No Longer Available

* Not Illustrated

NOTE: Used on Astroline models Serial #260 thru 2963, 3100 and up, all Astro 2 models and all "2000" model Lustre Kings.

Lustre King Ball Conditioner Illuminated Sign & Control Box Assembly



**Lustre King Ball Conditioner
Illuminated Sign & Control Box Assembly**

Intentionally Blank Page

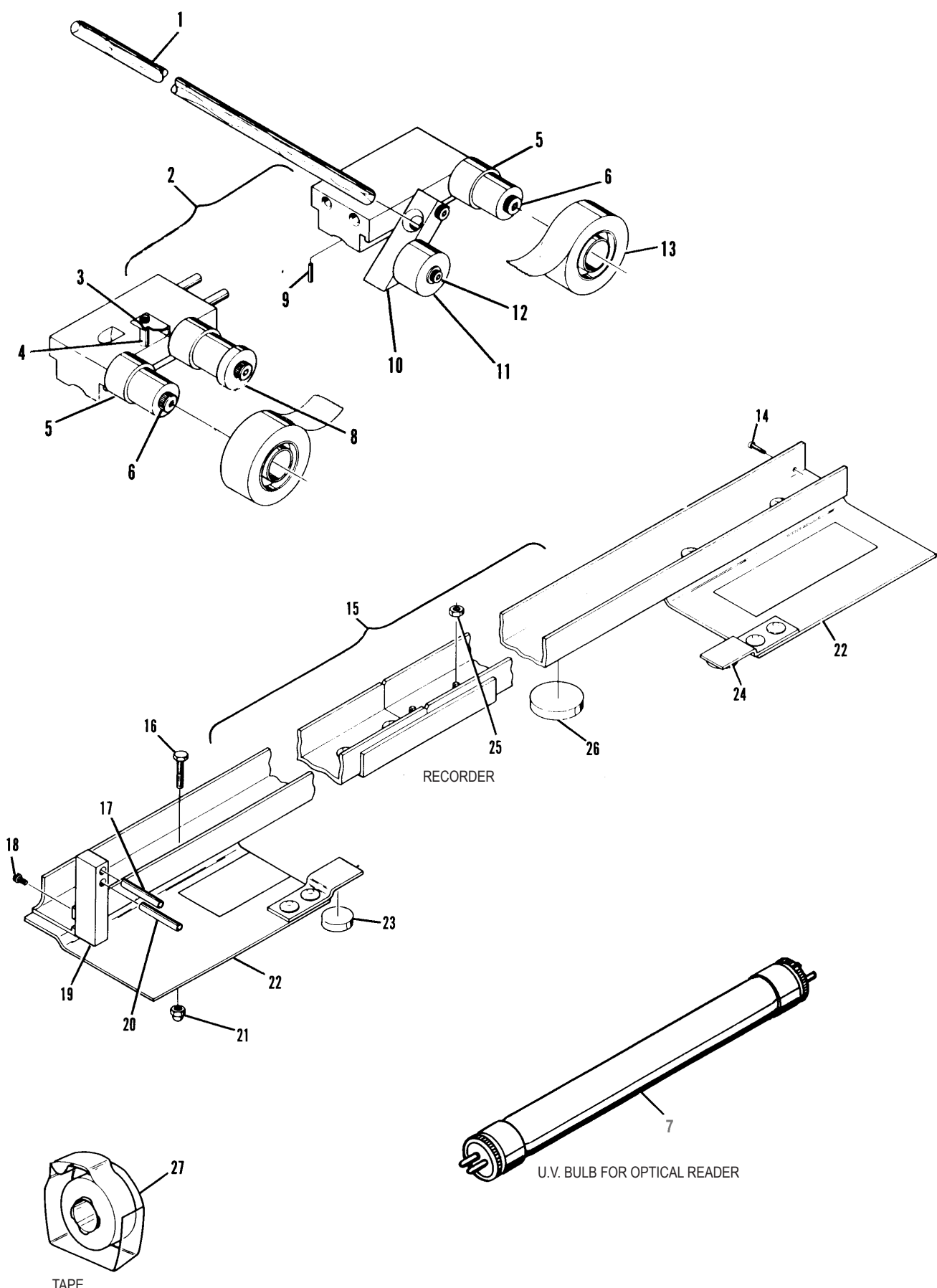
Section Q

MISCELLANEOUS

Index

No.	Part No.		Description
1.	N.A.		Wooden Dowel (Purchase Locally)
2.	61-100053-006	N.A.	Carriages
3.	61-100055-006	N.A.	Cutter Bar
4.	11-386110-000	N.A.	Cutter Bar Support
5.	61-100052-003	N.A.	Tape Hub
6.	11-106533-000		Shoulder Bolt (2")
7.	61-100060-000		Optical Reader UV Source Tube
8.	61-100055-002	N.A.	Tape Guide
9.	11-345154-000		Roll Pin (1/8 x 1/2) - 2 Required
10.	N.A.		Pivot Arm
11.	61-100055-004		Rubber Wheel & Hub Assembly
12.	11-106504-001		Shoulder Bolt (1")
13.	11-900070-000		Transparent Tape (1")
14.	11-023576-001	N.A.	Self Tapping Screw
15.	61-100055-020	N.A.	Track Assembly
16.	11-001178-001		Screw (1/4-20 x 1/2)
17.	11-345418-001		Roll Pin (1/4 x 1-3/4")
18.	11-005063-000	N.A.	Screw (#8-32)
19.	N.A.		Anchor Post Assembly
20.	11-345420-001		Roll Pin (1/4 x 2")
21.	11-125411-001	N.A.	Acorn Nut
22.	61-100055-013	N.A.	End Plate (left-hand)
23.	61-100055-016		Foot Pad - Small
24.	61-100055-017	N.A.	End Plate (right-hand)
25.	11-125100-001		Hex Nut (1/4-20)
26.	61-100055-001	N.A.	Foot Pad - Large
27.	61-100057-000		Label Tape (White)
28.	61-100060-000		Optical Reader UV Source Tube

N.A. = No Longer Available



Lane Monitor

Index No.	Part No.	Description	Index No.	Part No.	Description
	LOCKER DOOR		19.	54-100204-010	N.A. Rail Assembly (Astro 2 or "2000" Brown)
1.	N.A.	Gray Spatter - Astroline	20.	N.A.	Nameplate - Astroline
	N.A.	Gray Smooth - Astroline		N.A.	Nameplate - Astro 2
	N.A.	Off White - Astro 2		54-100415-000	N.A. Nameplate - "2000"
	54-100165-022	N.A. White Spatter - "2000"	21.	N.A.	Ferrule
2.	54-100163-000	N.A. Rubber Bumper	22.	10-193017-000	N.A. Special Washer
3.	11-012057-001	Sems C.R. Pan Hd. Machine	23.	54-100209-000	N.A. C.R. Flat Hd. Machine Screw (5/16-18 x 3/4")
		Screw (#8-32 x 5/16")	24.	N.A.	Upper Hinge Leaf
4.	54-100413-000	N.A. Lock Plate (Key Locks Only)	25.	N.A.	One Way Rd. Hd. Machine Screw (1/4-20 x 5/8")
5.	54-100164-001	N.A. Locker Number (Black on through	26.	11-176000-001	Keps Nut (1/4-20)
	54-100164-050	N.A. Denote Number Desired	27.	11-190010-001	Flat Washer (1/4)
6.	*54-100144-000	Lock w/2 Keys (Y-59)	28.	54-100467-000	N.A. Lock Plate (Combination Locks Only)
	54-100144-002	S.O. Individual Key (Y-59)		53-400235-000	R.O.
	54-100145-000	Master Key (Y-59)	29.	54-100472-000	Combination Lock
	54-100173-000	Lock w/2 Keys (LCA)		54-100472-004	Master Key
	54-100173-003	Individual Key (LCA)	30.	54-100470-000	N.A. Lock Retainer Bracket
	54-100173-004	Master Key (LCA)	31.	11-012058-000	Sems C.R. Pan Hd. MachineScrew (#8-32 x 3/8")
7.	N.A.	Slt'd. T. Hd. Machine Screw (#10-24 x 1-1/4")	32.	54-100468-000	Lock Plate Bumper
8.	N.A.	Locker Base (Astroline Gray)	33.	54-100473-001	N.A. Locker Number (White on Black) - Last 3 Digits
	54-860198-020	N.A. Locker Base (Astro 2 or "2000" Brown)		54-100473-027	N.A. Denote Number Desired
9.	54-100158-000	N.A. Hinge	34.	N.A.	Pop Rivet
10.	11-012578-002	N.A. C.R. Rd. Hd. Machine Screw (#10-24 x 1/2")	35.	N.A.	Lock Retainer
11.	54-100154-000	N.A. Tie Rod	36.	N.A.	Lock Assembly
12.	11-125004-001	Hex Nut (#10-24)	37.	11-640079-000	N.A. Master Key (Screw Type)
13.	11-199003-001	Internal Tooth Lockwasher(#10)	38.	N.A.	Master Key Holder
14.	11-013076-001	N.A. Slt'd. Pan Hd. Machine Screw (#10-24 x 3/8")	39.	N.A.	Lower Hinge Leaf
15.	N.A.	Number Plate (Specify Number)	40.	N.A.	Spacer Angle
16.	N.A.	Escutcheon Pin (#16 x 1/2")	41.	N.A.	Slt'd. Pan Hd. Machine Screw (#10-24 x 7/8")
17.	54-100210-000	N.A. Metal Glide	42.	11-190006-001	Flat Washer (#10)
18.	N.A.	End Panel Assy. (Gray)	43.	10-386241-000	N.A. Spacer (1/4 x 3/16)
	N.A.	End Panel Assy. (Astroline White)			
	N.A.	End Panel Assy. ("2000" White)			

N.A. = No Longer Available
S.O. = Special Order
R.O. = Replacement Option

* To order replacement Individual Keys (54-100144-002 or 54-100173-003) place your order with:

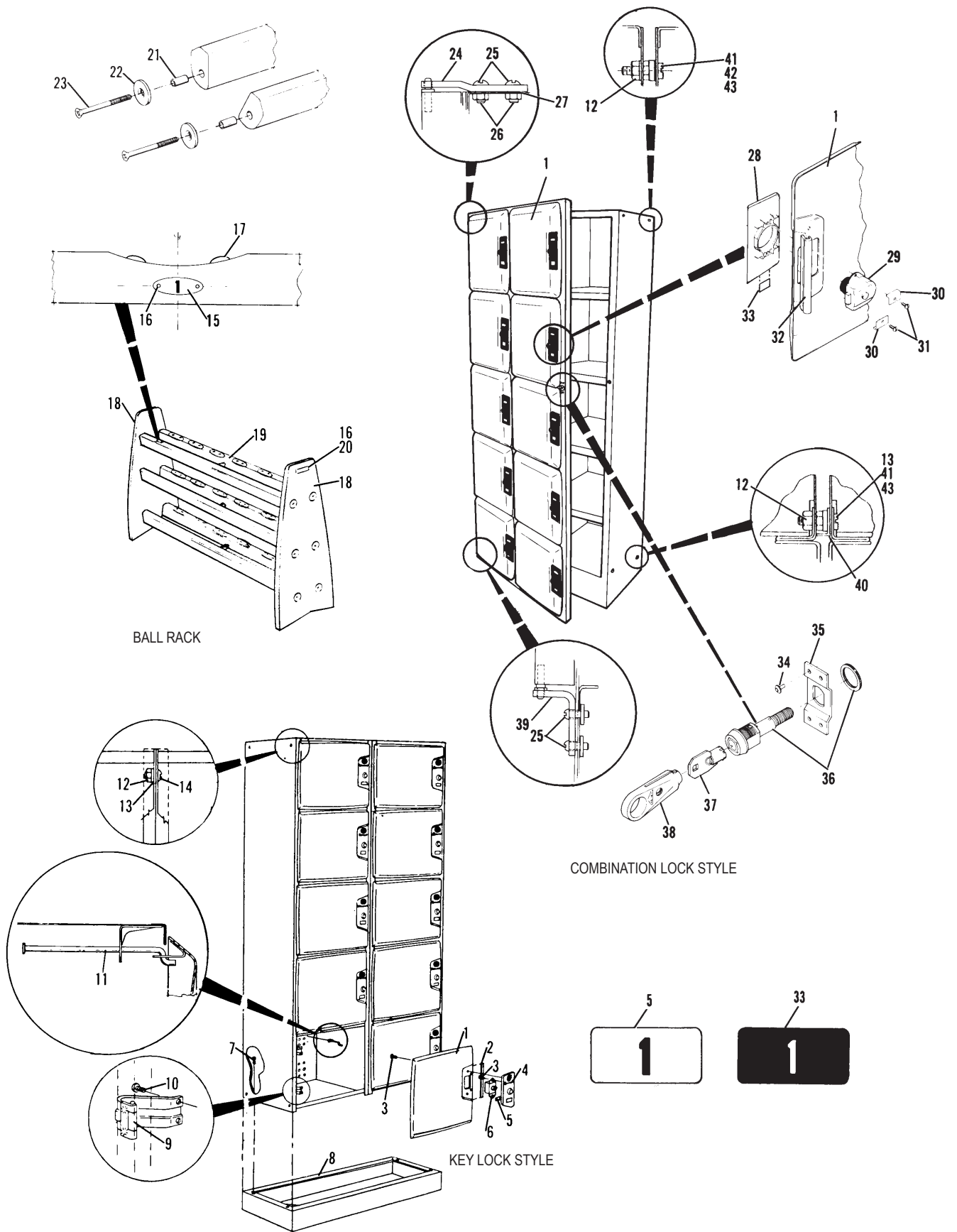
Brunswick Corporation
Attn: Order Department
525 W. Laketon Avenue
Muskegon, MI 49443

You must specify the Lock Series (Y-59 or LCA) noting key number and locker number needed. Allow four to six weeks for delivery. Individual cut keys are made per order and NO cut keys may be returned for credit.

Orders for Master Keys (54-100145-000, 54-100173-004, or 54-100472-004) must be signed by the proprietor or manager. All requests without proper authorization will be returned. Send your requests to the address at left.

Our 4600 and 5500 Series Lockers were furnished with Eagle Locks. For replacement, order our present locks (54-100144-000 or 54-100173-000).

Bowling Ball Locker (B2000) & Freestanding Ball Rack



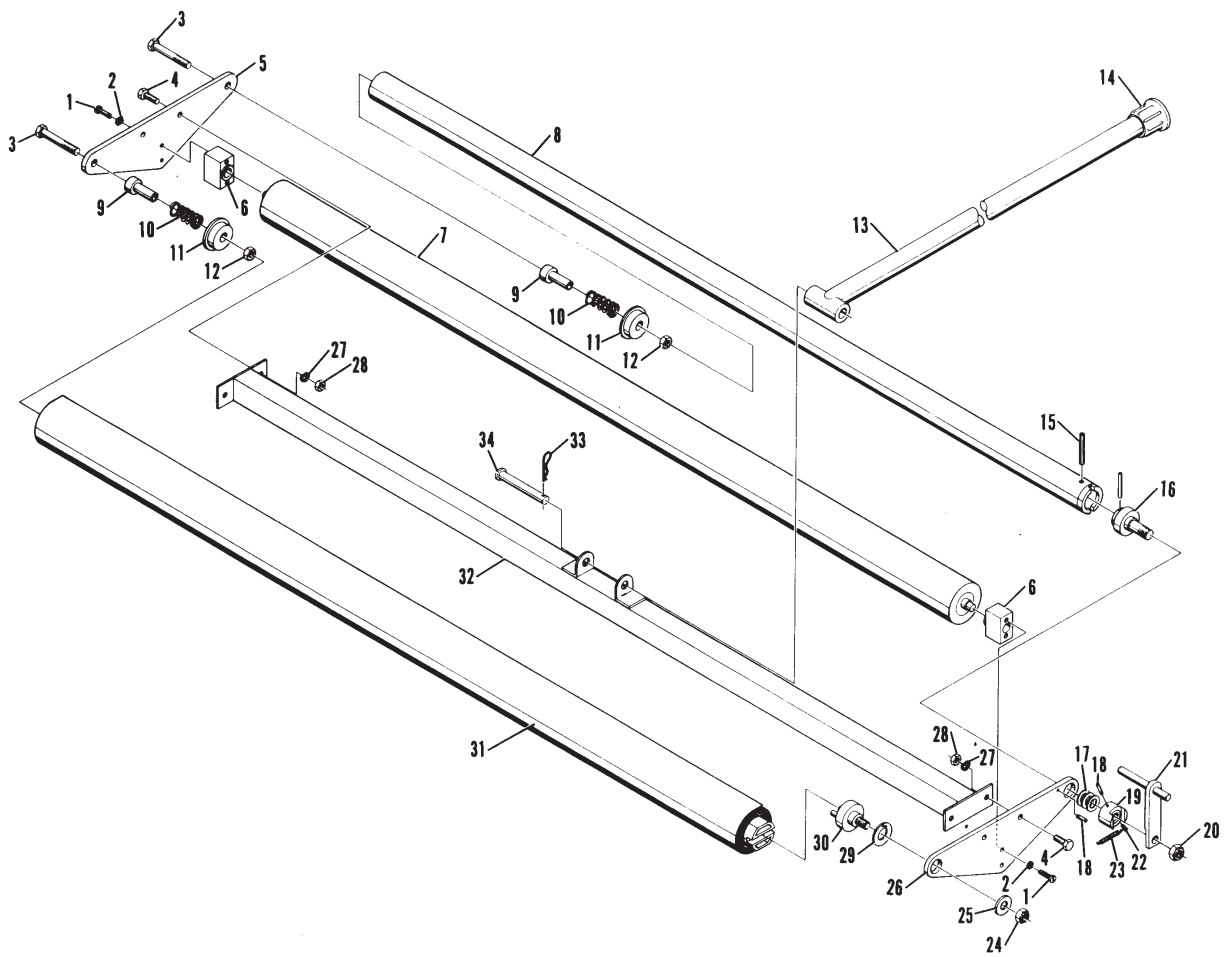
Bowling Ball Locker (B2000) & Freestanding Ball Rack

Index

No.	Part No.		Description
1.	11-013098-001	N.A.	Slted. Pan Hd. Machine Screw (#10-32 x 5/8")
2.	11-198003-001		External Tooth Lockwasher (#10)
3.	11-001193-001		Hex Hd. Screw (1/4-20 x 2-1/4")
4.	11-001182-001		Hex Hd. Machine Screw (1/4-20 x 3/4")
5.	N.A.		Right Side Plate
6.	61-100061-002	N.A.	Duster Base Mounting Assembly
7.	61-100061-003	N.A.	Tapered Duster Roller
8.	61-100061-004	N.A.	Duster Cloth Drive Tube Assembly
9.	61-100061-005	N.A.	Idler Support
10.	61-100061-006	N.A.	Idler Spring
11.	61-100061-007	N.A.	Cloth Idler Support
12.	11-170007-001		Locknut (1/-20))
13.	61-100061-008	N.A.	Handle Assembly
14.	61-100061-009	N.A.	Crutch Tip (1" Black)
15.	61-100061-010	N.A.	Roll Pin (1/8 x 1-3/8)
16.	61-100061-011	N.A.	Drive Shaft
17.	61-100061-012	N.A.	Bushing (7/8" O.D.)
18.	61-100061-013	N.A.	Stop Pin
19.	61-100061-014	N.A.	Drive Clutch Assembly
20.	11-170014-001		Locknut (7/16-20)
21.	61-100061-015	N.A.	Drive Clutch Pedal
22.	11-013020-001		Slted. Pan Hd. Machine Screw (#6-32 x1/4")
23.	61-100061-016	N.A.	Spring
24.	11-170011-001		Locknut (3/8-16)
25.	61-100061-017	N.A.	Type A Washer (3/8)
26.	61-100061-018	N.A.	Left Side Plate
27.	11-195014-001		Lockwasher (1/4)
28.	11-125007-001		Hex Nut (1/4-20)
29.	61-100061-019	N.A.	Leather Clutch
30.	61-100061-020	N.A.	Drag Clutch Shaft
31.	61-860168-000		Duster Refills (Pkg. of 3)
32.	61-100061-021	N.A.	Frame Assembly
33.	61-100061-022	N.A.	Prong Cotter Pin (1/8 x 3/4)
34.	61-100061-023	N.A.	Clevis Pin (3/8 x 2-5/8)

N.A. = No Longer Available

Lane Duster



Lane Duster

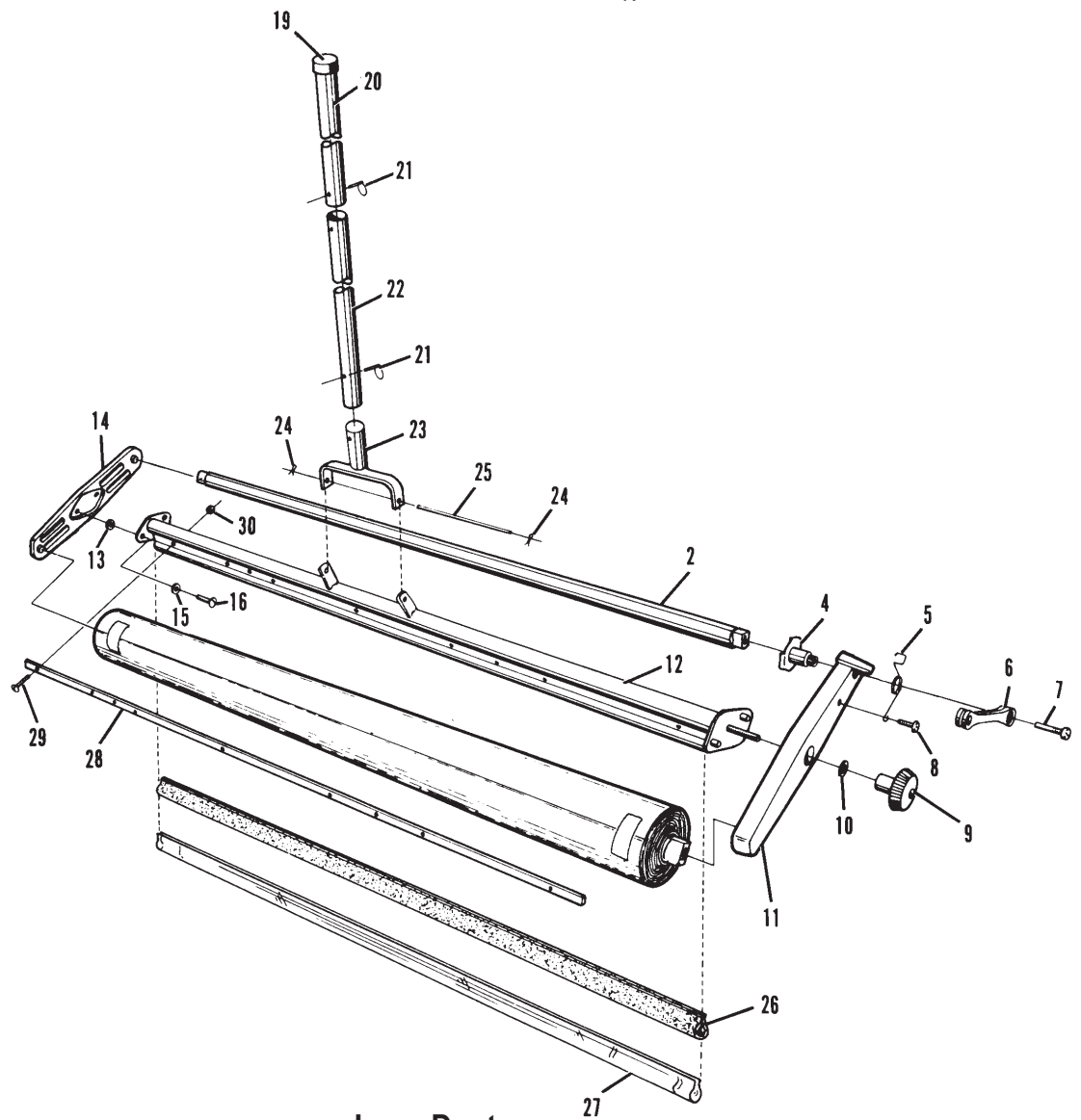
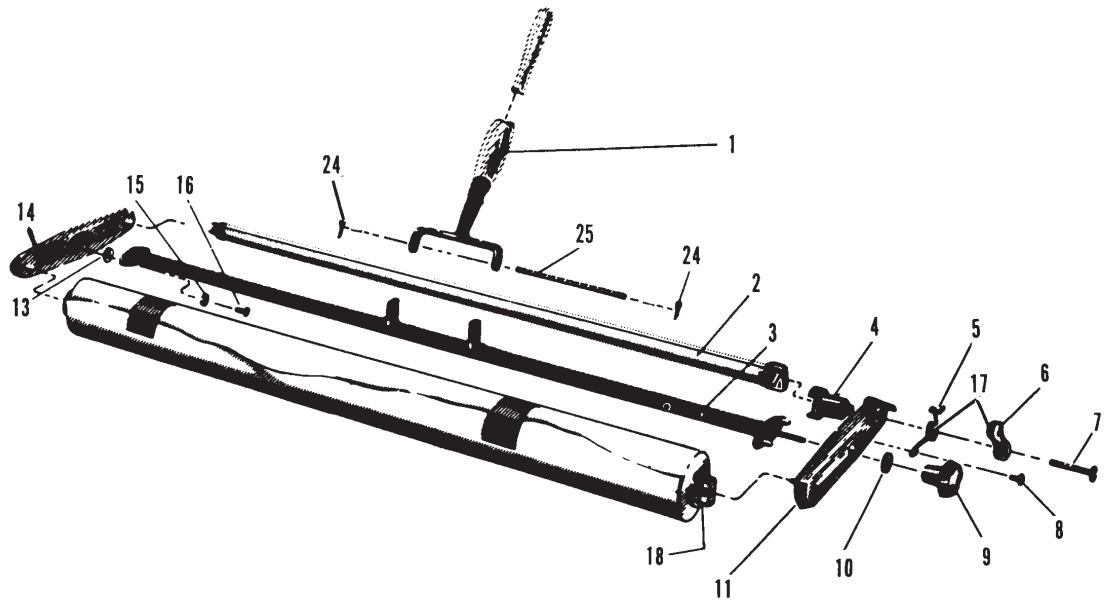
Index

No.	Part No.		Description
1.	N.A.		Wood Handle Assembly - Complete
	61-860158-001	R.O.	Wood Handle Assembly
2.	31-086087-000	N.A.	Drive Tube Assembly
3.	N.A.		Spacer Pipe
4.	N.A.		Drive Plate and Shaft Assembly
5.	31-086077-000	N.A.	Torsion Spring
6.	15-650213-000	N.A.	Ratchet Wrench (7/16)
7.	31-086076-000	N.A.	Locking Screw
8.	15-600863-000	N.A.	Self Tapping Sltd. B. Hd. Screw (#10 x 3/8")
9.	31-086093-000	N.A.	Hand Knob
10.	11-190014-001		Flat Washer (3/8)
11.	31-086299-000	N.A.	L.H. End Casting Assembly
12.	N.A.		Spreader Pipe Assembly
13.	11-191010-001		Flat Washer (1/4)
14.	31-086068-000	N.A.	R.H. End Casting Assembly
15.	11-195014-001		Lockwasher (1/4)
16.	11-024288-001		C.R. T. Hd. Machine Screw (1/4-20 x 5/8")
17.	N.A.		Ratchet Wrench w/Spring
18.	52-100198-000	N.A.	Core and Plug Assembly
19.	11-607011-000	N.A.	Sleeve Cap (1" x 1")
20.	N.A.		Upper Handle
21.	14-300040-000	N.A.	Quick Release Pin
22.	N.A.		Lower Handle
23.	14-300055-000	N.A.	Yoke
24.	11-335053-001	N.A.	Cotter Key
25.	N.A.		Shaft
26.	52-100395-000	N.A.	Spreader Cushion
27.	52-100401-000	N.A.	Polyethelene Cover
28.	N.A.		Retainer Bar
29.	N.A.		C.R. Pan Hd. Machine Screw (#8-32 x 1")
30.	11-125003-001		Hex Nut (#8-32)

N.A. = No Longer Available

R.O. = Replacement Option

Lane Duster



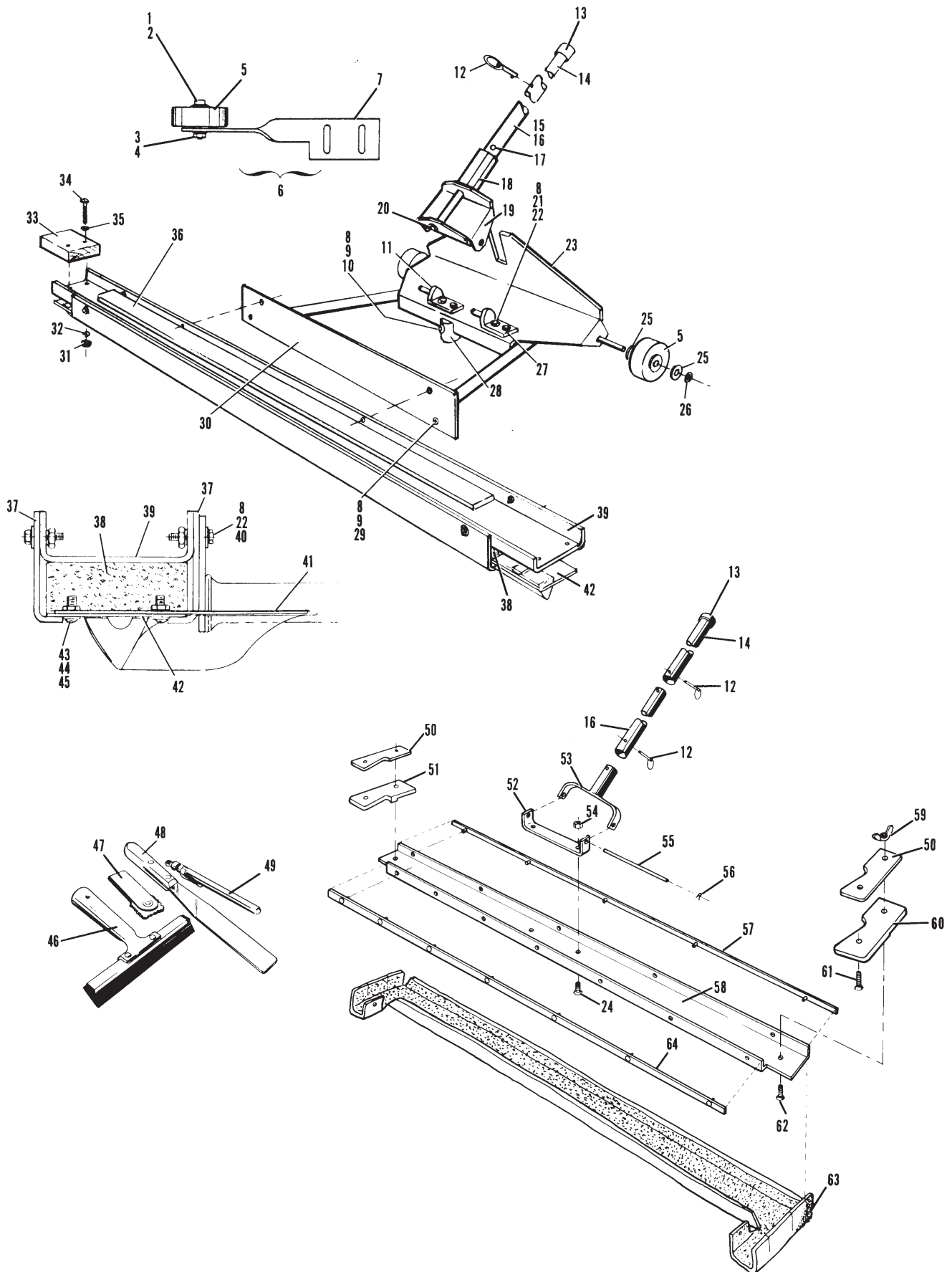
Lane Duster

Index			Index		
No.	Part No.	Description	No.	Part No.	Description
1.	N.A.	Hex Socket Hd. Stripper Bolt (1/4-20 x 1")	33.	N.A.	Wood Bumper
2.	11-190508-001	Flat Washer	34.	N.A.	Slted. Rd. Hd. Machine Screw (#8-32 x 1-1/4")
3.	11-190523-001	N.A. Flat Washer	35.	11-190004-001	Flat Washer (#8)
4.	11-176000-001	Keps Nut (1/4-20)	36.	N.A.	Weight Bar (5#)
5.	90-200114-000	Urethane Roller Assembly		N.A.	Weight Bar (8#)
6.	N.A.	Guide Roller Assembly		14-300046-004	N.A. Weight Bar (10#)
7.	N.A.	Bracket	37.	14-300022-000	N.A. Front Support
8.	11-125007-001	Hex Nut (1/4-20)	38.	14-300024-000	N.A. Foam Pad
9.	11-190010-001	Flat Washer (1/4)	39.	14-300021-000	N.A. Channel
10.	11-012391-001	N.A. C.R. Pan Hd. Machine Screw (1/4-20 x 1-3/4")	40.	11-001180-001	Hex Hd. Cap Screw (1/4 x 5/8")
	12-502345-000	R.O. Bumper Screw	41.	14-300011-002	R.H. Plastic Wing
11.	14-300029-003	Angle Bracket and Pin Assembly		14-300011-003	L.H. Plastic Wing
12.	14-300040-000	N.A. Quick Release Pin	42.	14-300025-000	N.A. Applicator Board
13.	11-607011-000	N.A. Sleeve Cap	43.	N.A.	Slted. Rd. Hd. Machine Screw (#6-32 x 1/2")
14.	N.A.	Upper Handle Assembly	44.	11-190002-001	Flat Washer (#6)
	N.A.	Upper Handle Only	45.	11-125001-001	Hex Nut (#6-32)
15.	N.A.	Lower Handle Assembly	46.	N.A.	Squeegee
16.	N.A.	Lower Handle Only	47.	N.A.	Wet Film Thickness Gauge
17.	11-345314-001	Roll Pin	48.	N.A.	Spatula
18.	N.A.	Handle Plug	49.	N.A.	Thermometer
19.	N.A.	Yoke	50.	N.A.	End Clamp
20.	11-530021-001	Retaining Ring	51.	N.A.	L.H. End Bracket
21.	11-001178-001	Hex Hd. Cap Screw (1/4-20 x 1/2")	52.	N.A.	Lower Yoke
22.	11-195014-001	Lockwasher (1/4)	53.	14-300055-000	N.A. Handle Yoke
23.	N.A.	Frame and Arm Assy.	54.	11-176006-001	Keps Nut (#10-24)
24.	N.A.	C.R. Flat Hd. Machine Screw (#10-24 x 5/8")	55.	N.A.	Shaft
25.	11-190012-001	Flat Washer (5/16)	56.	11-335053-001	N.A. Cotter Key
26.	11-534512-000	N.A. Grip Ring	57.	N.A.	Rear Clamp Strip
27.	14-300029-002	N.A. Angle Bracket and Pin Assembly	58.	N.A.	Frame Channel
28.	14-300030-000	N.A. Glide	59.	N.A.	Wing Nut (#10-24)
29.	11-014146-001	N.A. C.R. Flat Hd. Machine Screw (1/4-20 x 5/8")	60.	N.A.	R.H. End Bracket
30.	N.A.	Mounting Plate	61.	11-014082-001	N.A. C.R. Flat Hd. Machine Screw (#10-24 x 3/8")
31.	11-125003-001	Hex Nut (#8-32)	62.	11-014091-004	N.A. C.R. Flat Hd. Machine Screw (#10-24 X 1-1/8")
32.	11-195008-001	Lockwasher (#8)	63.	N.A.	Applicator Pad
			64.	N.A.	Front Clamp Strip

N.A. = No Longer Available

R.O. = Replacement Option

Finish Applicator



Finish Applicator

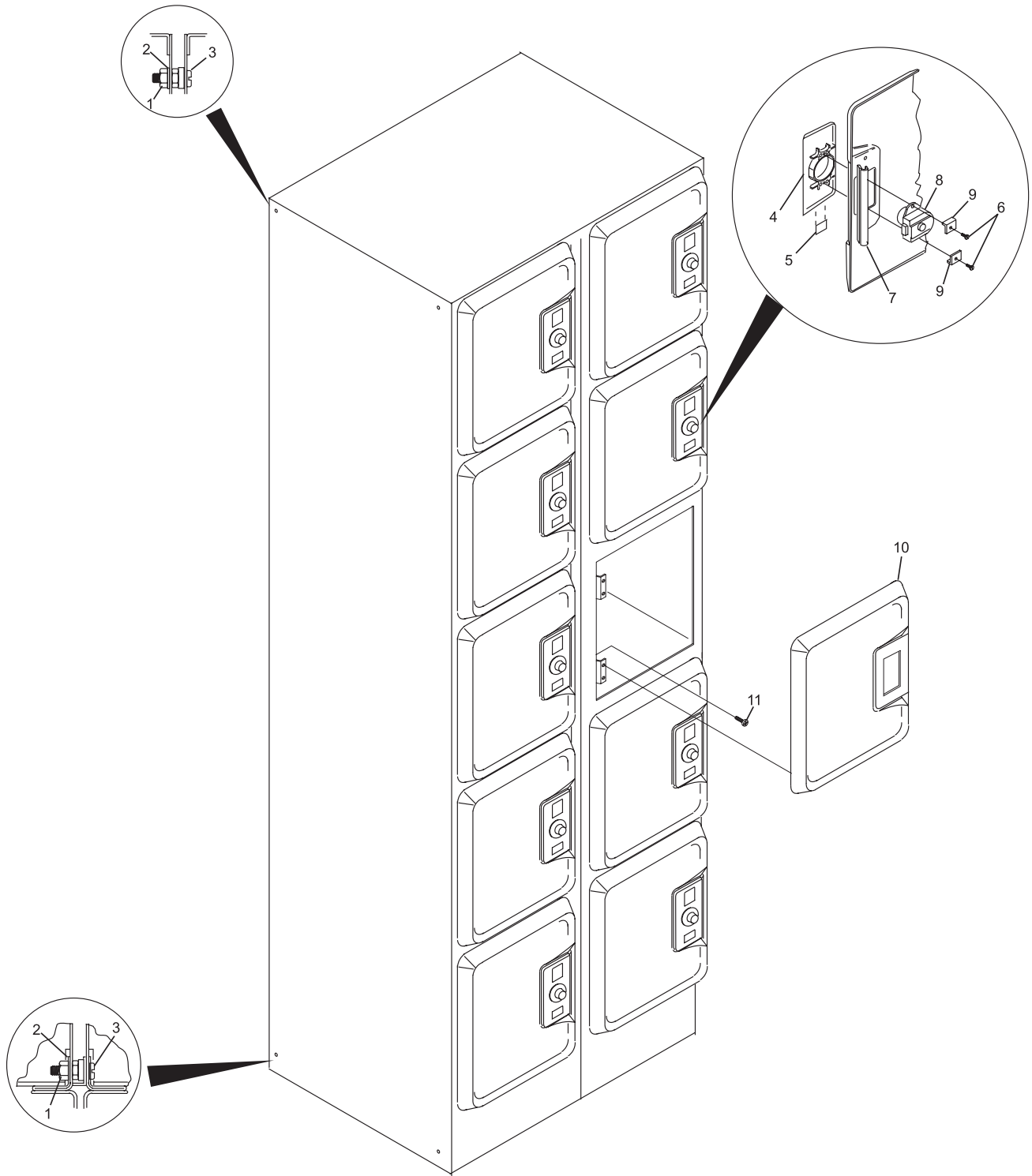
Index

No.	Part No.		Description
1.	11-125004-002	N.A.	Hex Nut (#10-24)
2.	11-199003-002	N.A.	Lockwasher (#10)
3.	11-013076-002	N.A.	Pan Hd. Screw (#10-24 x 3/8")
4.	53-400235-000		Lock Plate (Gray)
	54-100467-000	N.A.	Lock Plate (Chrome)
	53-400235-000	R.O.	Lock Plate Combination
5.	*53-400236-001	N.A.	Locker Numbers (#1-30)
	to		
	*53-400236-050	N.A.	Locker Numbers (#1471-1500)
6.	11-012058-000		Pan Hd. Screw (#8-32 x 3/8)
7.	54-100468-000		Lock Plate Bumper
8.	54-100472-000		Combination Lock
	54-860477-000	N.A.	Combination Lock Key (Pkg. of 10)
	54-100427-004	N.A.	Master Key
9.	54-100470-000		Lock Retainer Brackets
10.	53-400234-000	N.A.	Locker Door (w/o Lock)
11.	11-021578-002	N.A.	Pan Head C.R. Screw (#10-24 x 1/2")

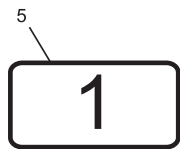
N.A. = No Longer Available

R.O. = Replacment Option

* Last three digits denote number desired. Thirty numbers to a package.
All locker numbers are Frameworx Gray.



Framework Lockers

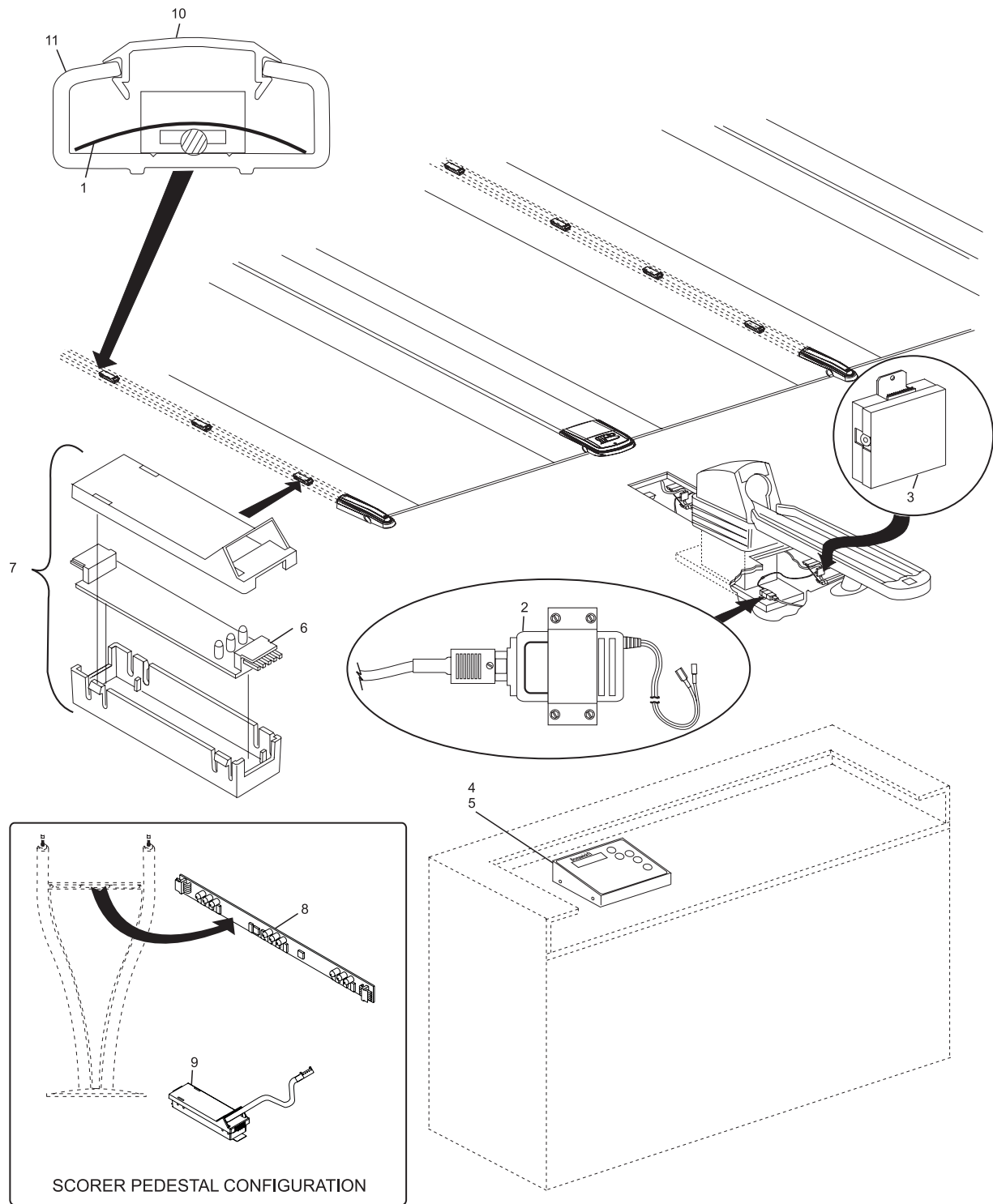


Index

No.	Part No.	Description
1.	84-200299-000	Cosmetic Cover - Pkg of 20
2.	53-860326-100	Transformer - 100VAC, 50 Hz (includes IEC Connector)
	53-860327-115	N.A. Transformer - 115VAC, 60 Hz (includes Power Cord)
	53-860326-230	N.A. Transformer - 230VAC, 50 Hz (includes IEC Connector)
	53-860629-230	R.O. Transformer Pkg.
3.	84-200292-000	N.A. Address Decoder Module
	84-200763-000	R.O. Address Decoder Module Assembly
4.	84-200330-400	N.A. Lightworx Controller - Complete
5.	84-860612-000	N.A. Keypad Only
6.	84-860607-000	N.A. Light Module PCB
7.	84-200295-000	N.A. Light Module Assembly - Complete
	84-200760-000	R.O. Light Module Assembly - Complete
8.	84-200353-000	N.A. Light Module Assembly - Scorer Pedestal
9.	57-300943-000	N.A. Splitter Assembly - Scorer Pedestal
	57-861953-000	R.O. Splitter Assembly - Scorer Pedestal
10.	84-200224-301	N.A. PKG. 6 Clear Division Capping
	84-860736-301	R.O. PKG. 6 Clear Division Capping
11.	84-200241-301	Lower Division Capping - Gray (9' 9")

N.A. = No Longer Available

R.O. = Replacement Option

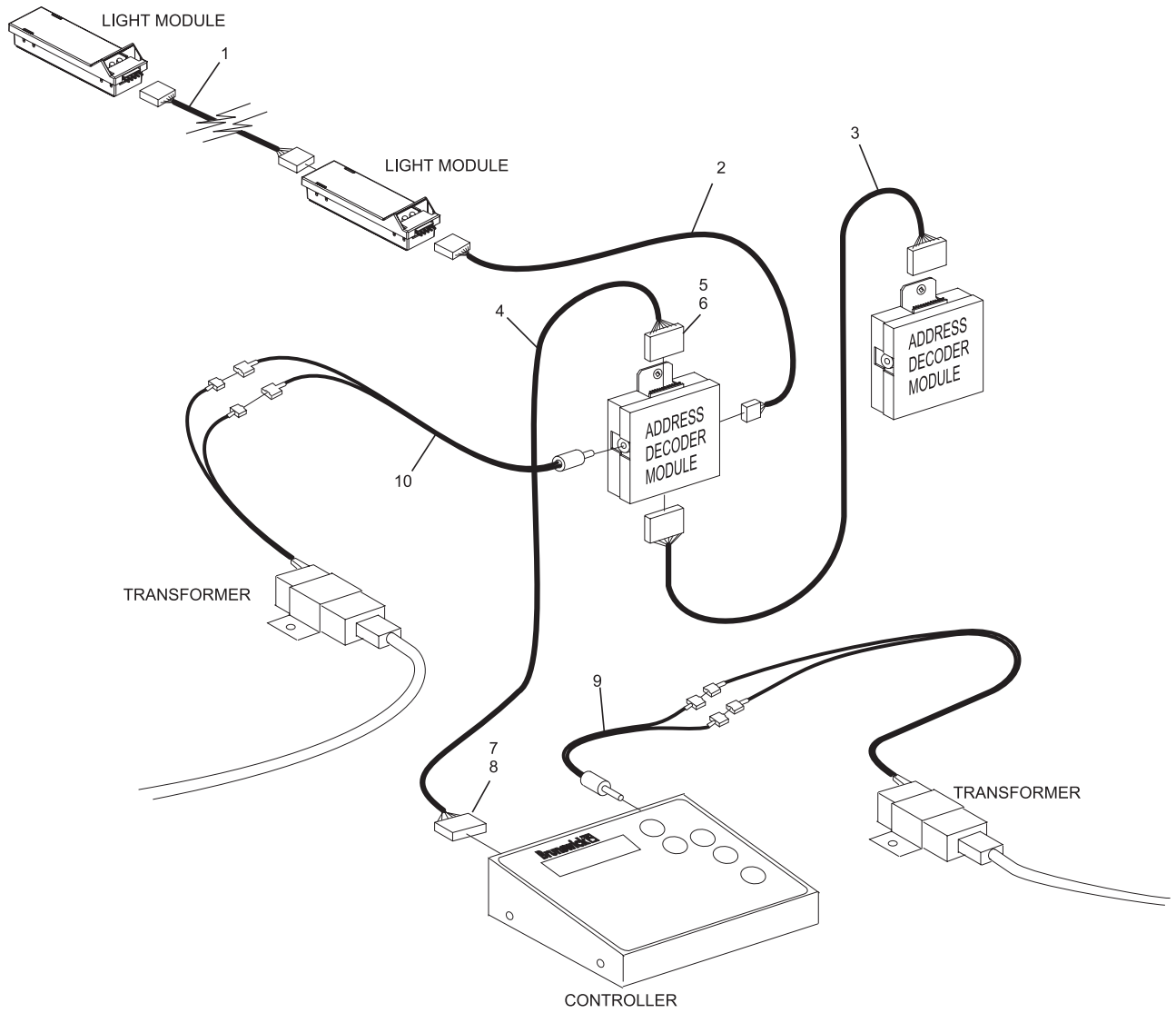


Lightworx System

Index

No.	Part No.		Description
1.	84-200287-000		Light Module to Light Module Cable
2.	84-200298-000		Address Decoder Module to Light Module Cable (20')
3.	84-200288-000		Address Decoder Module to Address Decoder Module Cable (16')
4.	84-200289-000		Control Module Interface Cable (300')
5.	11-697219-000		Connector
6.	11-680326-000		Terminal
7.	11-680998-000	N.A.	Connector
8.	11-680981-000		Terminal
9.	84-200331-000	N.A.	Lightworx Controller Power Adapter Cable (10")
	17-860792-000	R.O.	Power Adapter Cable ABW Standard
10.	84-200332-000		Address Decoder Module Power Adapter Cable (1')

N.A. = No Longer Available



Lightworx System Cables

Intentionally Blank Page