

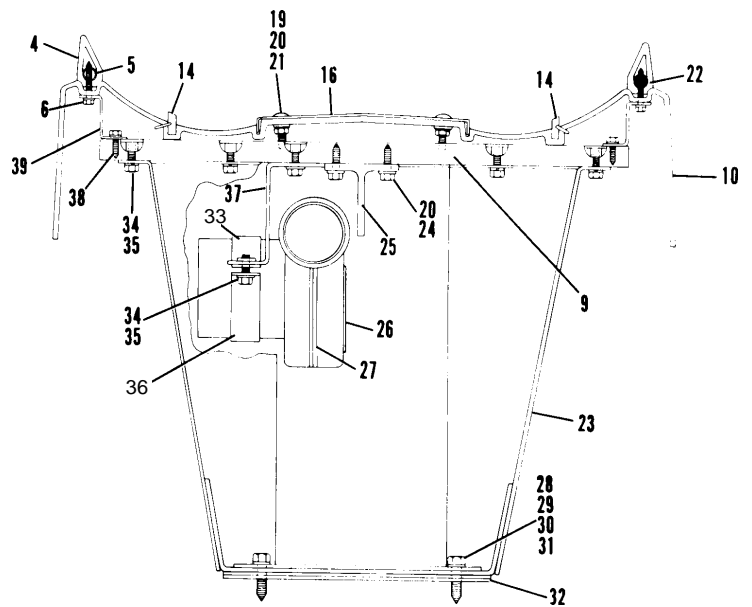
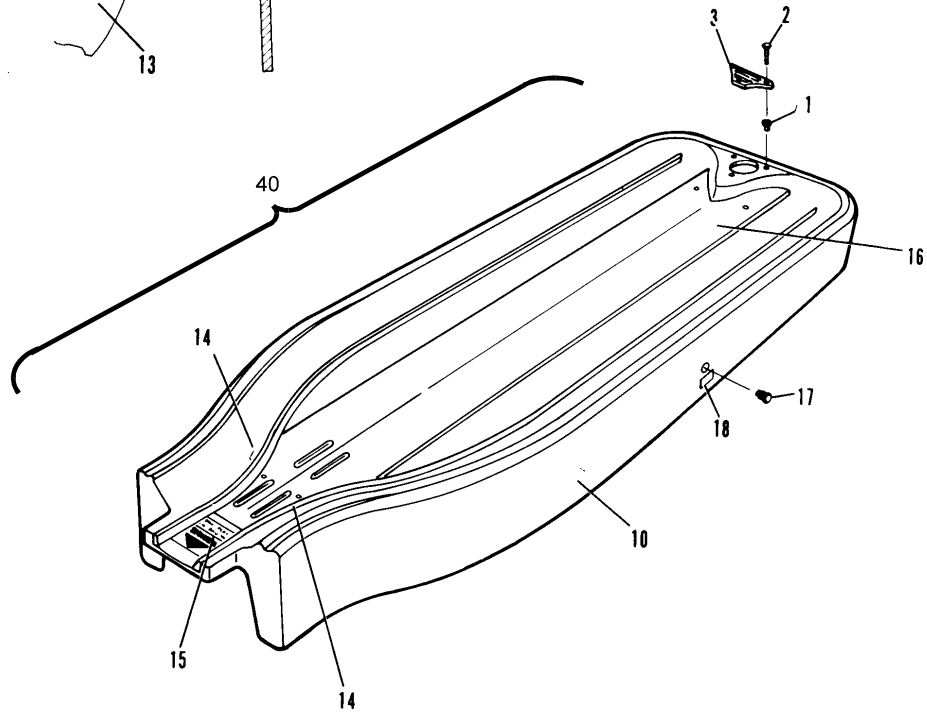
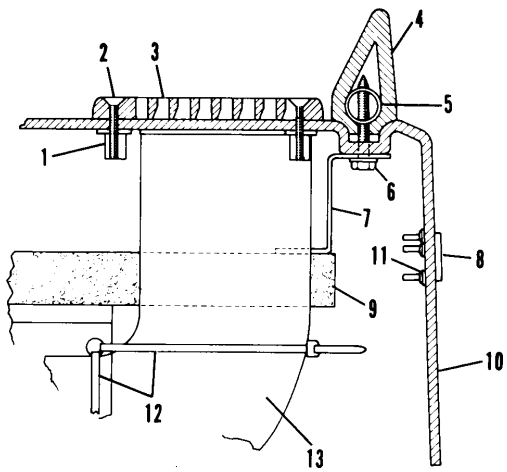
Section K

BALL RACKS

Index No.	Part No.	Description
1.	11-135501-000	Well Nut (6-32)
2.	11-014026-004	C. R. Flat Hd. Machine Screw (6-32 x 5/8")
3.	53-100410-000	Bezel
4.	53-100403-000	Bumper Strip
5.	53-100411-000	Retaining Tube
6.	11-081012-001	Self Tapping Hex Hd. Washer Screw (#10 x 1-1/4")
7.	53-100414-003	End Support Bracket
8.	53-100424-000	Name Plate - "Brunswick"
9.	53-100408-000	Support Panel Assembly
10.	53-100484-000	Ball Rack Only
11.	N.A.	Push On Fastener
12.	N.A.	Cable Tie
13.	53-100415-000	Hand Dryer Hose
14.	53-100204-004	Outside Ball Track
15.	53-100419-000	Warning Decal
16.	53-100483-000	Ball Track
17.	11-615019-000	Reset Button
18.	53-100050-000	Decal - "Reset"
19.	54-100107-002	T.Hd. Nib Screw (1/4-20 x 1-1/8")
20.	11-190010-001	Plain Washer (1/4)
21.	11-176000-001	Keps Nut (1/4-20)
22.	53-100224-000	Stem Bumper
23.	N.A.	Pedestal Assembly
24.	N.A.	Hex Hd. Lag Screw (1/4 x 1-1/4")
25.	53-100407-000	Ball Rack Support Frame
26.	53-100276-002	Fan Screen
27.	53-100278-000	Blower Assembly (24V)
28.	11-070563-001	Hex Hd. Lag Screw (3/8 x 1-1/2)
29.	11-190014-001	Plain Washer (3/8)
30.	11-195016-001	Lockwasher (3/8)
31.	11-190522-001	Special Washer
32.	N.A.	Shim
33.	53-100040-091	Lower Clamp
34.	11-001182-001	Hex Hd. Cap Screw (1/4-20 x 3/4")
35.	11-195014-001	Lockwasher (1/4)
36.	53-100043-000	Upper Clamp
37.	53-100413-020	Fan Mounting Clamp
38.	N.A.	Self Tapping Hex Hd. Washer Screw (#12 x 3/4")
39.	53-100414-002	Side Support Bracket
40.	53-860675-000	Complete Assembled Ball Rack - includes Pedestal Assembly (Item #23)

N.A. = No Longer Available

"2000" Twinline II Ball Rack



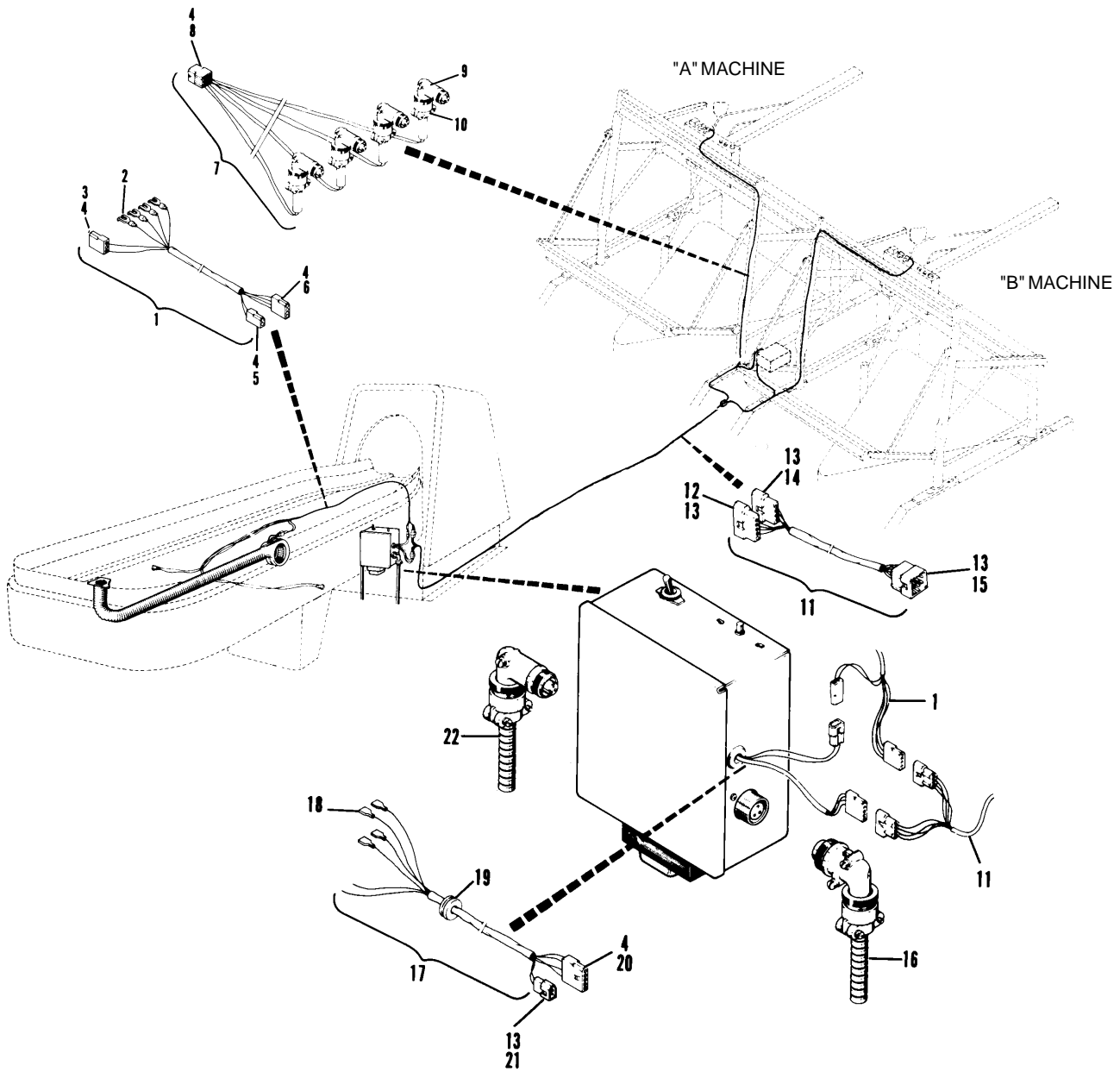
"2000" Twinline II Ball Rack

Index No.	Part No.	Description
1.	53-520589-000	Ball Rack Cable Assembly
2.	11-612008-000	Connector
3.	11-680201-000	Receptacle (3 Contacts)
4.	N.A.	Terminal
5.	11-680216-000	Receptacle (2 Contacts)
6.	11-680205-000	Receptacle (4 Contacts)
7.	53-520615-000	A/P Control Cable Assembly
8.	11-680204-000	Receptacle (9 Contacts)
9.	11-623005-000	90° Angle Plug
10.	11-605127-000	Cable Clamp
11.	53-520588-000	Lane Cable Assembly
12.	11-680117-000	Connector Plug (5 Contacts)
13.	11-680302-000	Terminal
14.	11-680105-000	Connector Plug (4 Contacts)
15.	11-680104-000	Connector Plug (9 Contacts)
16.	*53-520212-000	Motor Cable Assembly
17.	N.A.	Control Box Cable Assembly
18.	N.A.	Receptacle
19.	11-651006-000	Grommet (3/8)
20.	11-680217-000	Receptacle (5 Contacts)
21.	11-680116-000	Connector Plug (2 Contacts)
22.	*53-600149-000	Power Cable Assembly

N.A. = No Longer Available

* See Page 9M for Parts Breakdown

Twinline II Ball Rack Cable Assemblies

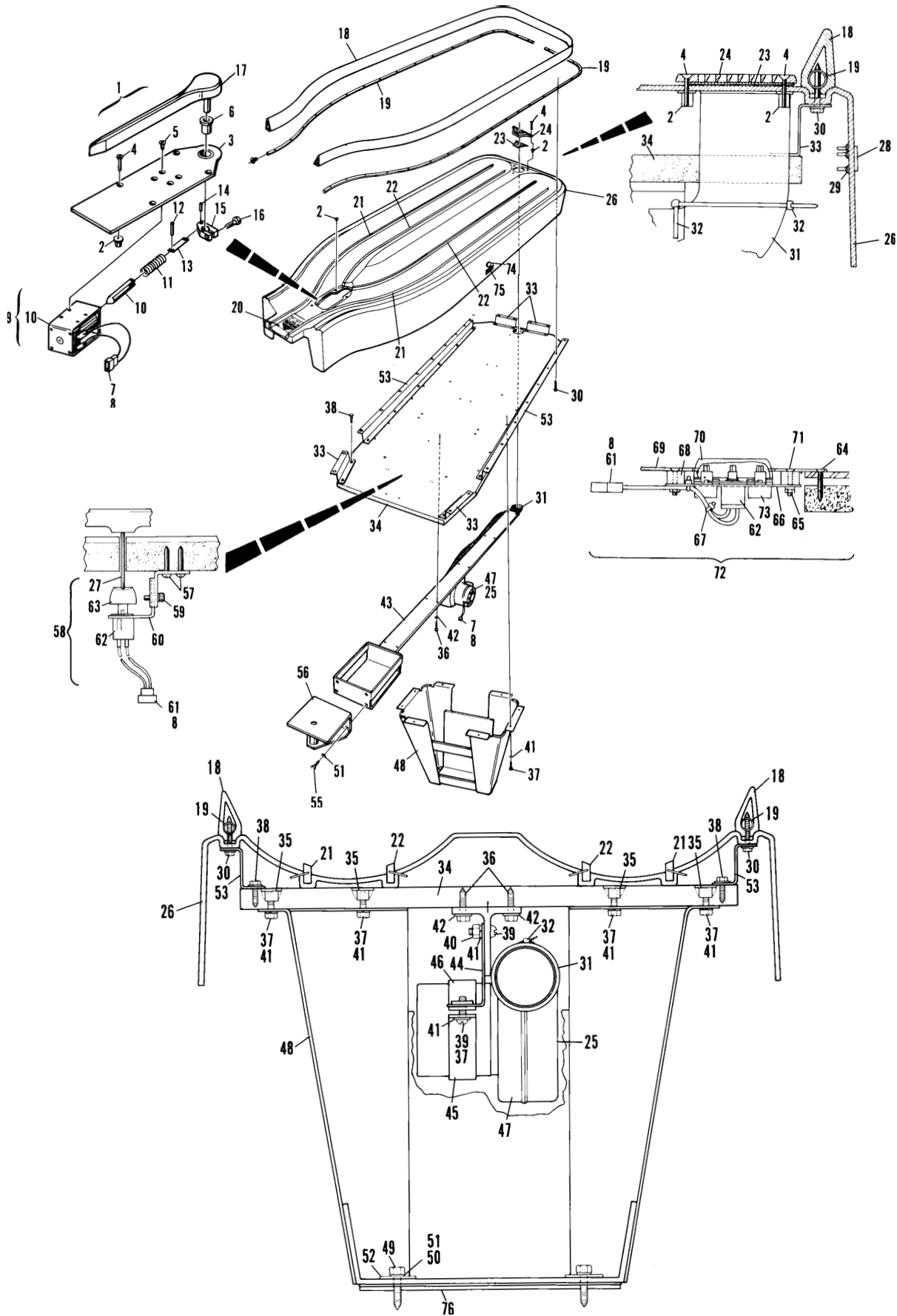


**Twinline II Ball Rack
Cable Assemblies**

Index			Index		
No.	Part No.	Description	No.	Part No.	Description
1.	N.A.	Ball Guide Assembly	39.	11-107148-001	Sltd. Rd. Hd. Machine Screw (1/4-20 x 3/4")
2.	11-135501-000	Well Nut (6-32)	40.	11-125007-001	Hex Nut (1/4-20)
3.	N.A.	Support Plate Assembly	41.	11-195014-001	Lockwasher (1/4)
4.	11-014026-004	C.R. Flat Hd. Machine Screw (6-32 x 5/8")	42.	11-190010-001	Plain Washer (1/4)
5.	N.A.	C.R. Flat Hd. Machine Screw (8-32 x 5/16")	43.	53-100407-000	Ball Rack Support Frame
6.	11-421008-000	Oilite Bearing	44.	53-100413-000	Fan Mounting Bracket (Rack w/o Reset Buttons)
7.	11-680101-000	Connector Plug (3 Contacts)		53-100413-020	Fan Mounting Bracket (Rack w/Reset Buttons)
8.	11-680302-000	Terminal	45.	53-100040-091	Upper Clamp
9.	53-100425-000	Solenoid Assembly	46.	53-100043-000	Lower Clamp
10.	53-100251-000	Solenoid Only (24 Volt)	47.	53-100278-000	Blower Assembly
11.	53-100252-000	Spring	48.	N.A.	Pedestal Assembly
12.	11-345160-001	Roll Pin	49.	11-070563-001	Hex Hd. Lag Screw (3/8 x 1-1/2)
13.	N.A.	Link	50.	11-190014-001	Plain Washer (3/8)
14.	11-345152-001	Roll Pin	51.	11-195016-001	Lockwasher (3/8)
15.	N.A.	Arm Assembly	52.	11-190522-001	Special Washer
16.	11-005120-001	Hex Socket Hd. Cap Screw (10-32 x 5/8")	53.	53-100414-002	Side Support Bracket
17.	N.A.	Ball Guide	54.	53-100224-000	Stem Bumper
18.	53-100403-000	Bumper Strip	55.	11-001343-001	Hex Hd. Cap Screw (3/8-16 x 7/8")
19.	53-100411-000	Retaining Tube	56.	53-520085-000	Coupling
20.	53-100419-000	Warning Decal	57.	N.A.	C.R. Rd. Hd. Wood Screw (8-32 x 3/4")
21.	53-100204-004	Outside Ball Track	58.	N.A.	Switch Assembly - Complete
22.	53-100204-005	Inside Ball Track	59.	N.A.	Self Tapping C.R. B. Hd. Screw (#6 x 5/16")
23.	N.A.	Blower Screen - Black	60.	N.A.	Switch Bracket
24.	53-100410-000	Bezel	61.	11-680116-000	Connector (2 Contacts)
25.	53-100276-002	Fan Screen	62.	11-674970-000	Switch Only
26.	N.A.	Ball Rack Only (for use w/o Reset Buttons)	63.	53-520526-003	Key Cap Only
	N.A.	Ball Rack Only (for use w/ Reset Buttons)	64.	11-086337-001	Self Tapping C.R. Flat Hd. Screw (6 -20 x 1")
	N.A.	Rebuilt Ball Rack	65.	11-176005-001	Keps Nut (6-32)
27.	N.A.	Actuator Pin	66.	N.A.	Switch Bracket
28.	53-100424-000	Name Plate - "Brunswick"	67.	11-603108-000	Cable Tie
29.	N.A.	Push On Fastener	68.	N.A.	Spacer
30.	11-081012-001	Self Tapping Hex Hd. Washer Screw (#10 x 1-1/4")	69.	N.A.	Cover Plate
31.	53-100415-000	Hand Dryer Hose (32")	70.	N.A.	Key Cap
	53-100415-010	Hand Dryer Hose (50")	71.	11-014030-001	C.R. Flat Hd. Machine Screw (6-32 x 1")
32.	N.A.	Cable Tie	72.	N.A.	Bar Switch Assembly
33.	53-100414-003	End Support Bracket	73.	N.A.	Spacer Bar Kit
34.	53-100408-000	Support Panel Assembly	74.	11-615019-000	Reset Button
35.	11-178531-000	Tee Nut (1/4-20)	75.	53-100050-000	Name Plate - "Reset"
36.	N.A.	Hex Hd. Lag Screw (1/4 x 1-1/4")	76.	N.A.	Shim
37.	11-001182-001	Hex Hd. Cap Screw (1/4-20 x 3/4")			
38.	N.A.	Self Tapping Hex Hd. Washer Screw (#12 x 3/4")			

N.A. = No Longer Available

"2000" Twinline I Ball Rack



"2000" Twinline I Ball Rack

Index

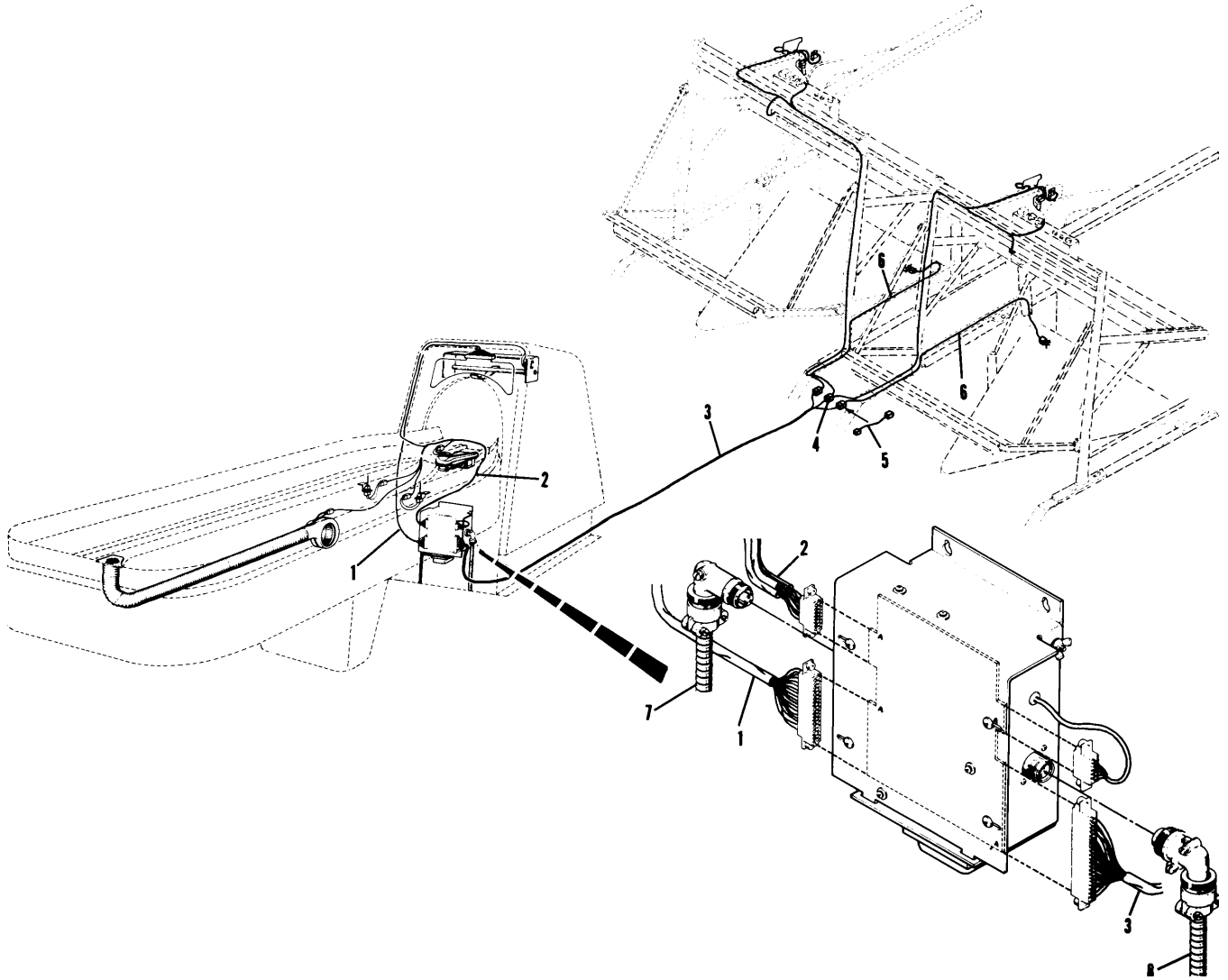
No.	Part No.	Description
1.	*N.A.	Pinfall Display Cable Assembly
2.	*N.A.	Ball Rack Accessory Cable Assembly
3.	*N.A.	Lane Cable Assembly
4.	**53-520508-000	A/P Control Cable Assembly
5.	**N.A.	Adapter Cable Assembly
6.	**53-520506-000	Deck Cable Assembly
7.	*53-600149-000	Power Cable Assembly
8.	*53-520212-000	Motor Cable Assembly

N.A. = No Longer Available

* See Page 9M for Parts Breakdown

** See Page 11K for Parts Breakdown

**Twinline I Ball Rack
Cable Assemblies**

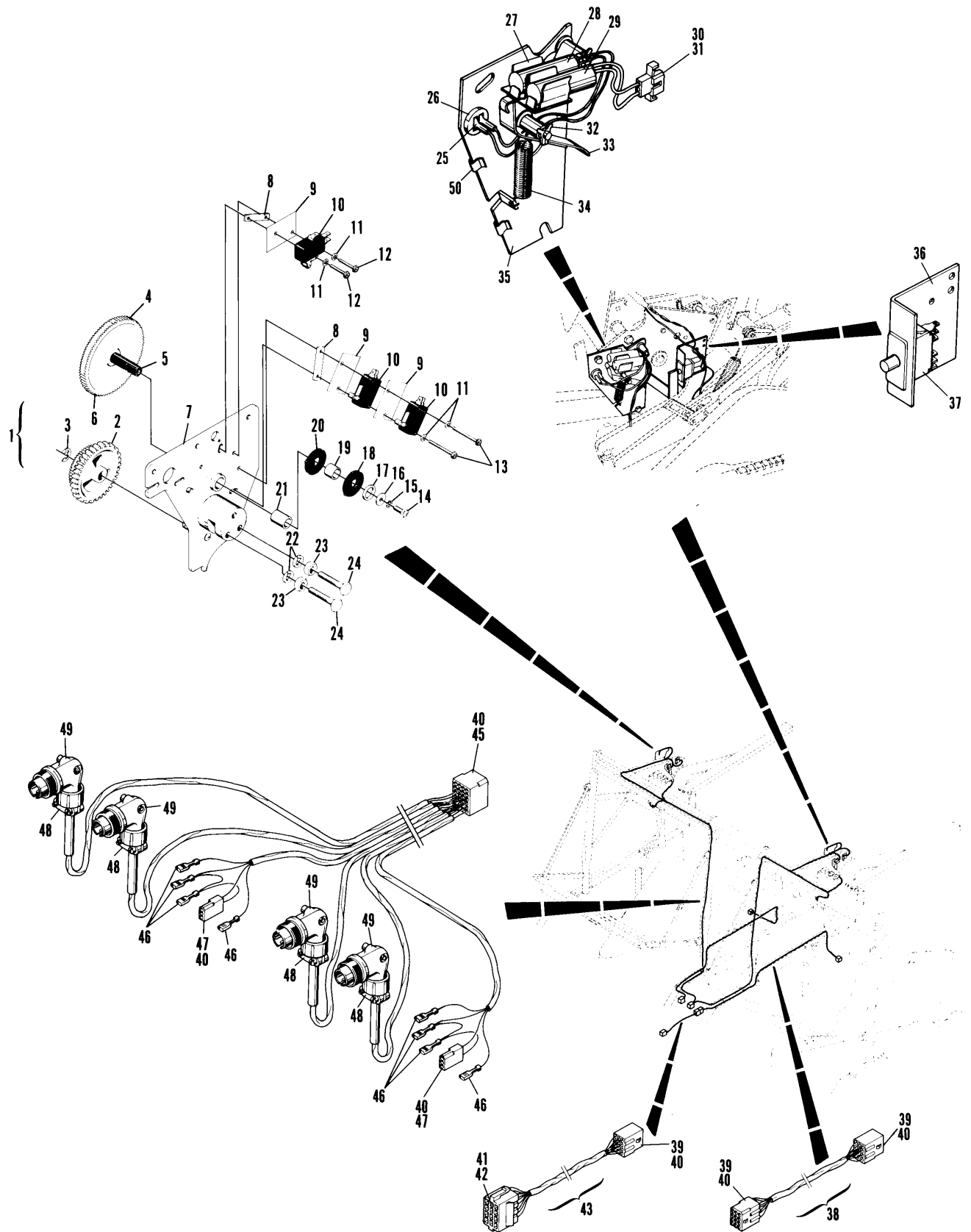


**Twinline I Ball Rack
Cable Assemblies**

Index No.	Part No.	Description
1.	57-861530-000	Switch Cluster Assembly
2.	17-204243-000	Dual Gear
3.	N.A.	Retaining Ring
4.	57-214024-000	Cam Shaft Assembly
5.	57-214025-000	Cam Shaft Only
6.	17-204244-000	Gear Only
7.	17-204234-000	Switch Plate Assembly
8.	10-616051-000	Nut Plate (4-40)
9.	11-617501-000	Fabric Insulator
10.	11-616015-000	Switch
11.	11-199000-001	Internal Tooth Lockwasher (#4)
12.	11-010509-001	Hex Hd. Washer Machine Screw (4-40 x 3/4")
13.	11-010513-001	Hex Hd. Washer Machine Screw (4-40 x 1-1/4")
14.	11-010022-001	Slt'd. Hex Hd. Machine Screw (6-32 x 3/8")
15.	11-195006-001	Lockwasher (#6)
16.	11-190528-001	Plain Washer
17.	10-386107-000	Spacer
18.	57-214227-000	Switch Cam (36° to 136°)
19.	11-420141-000	Oilite Bearing
20.	17-204237-000	Switch Cam (0° to 270°)
21.	11-420138-000	Oilite Bearing
22.	11-195014-001	Lockwasher
23.	11-125100-001	Hex Nut (1/4-20)
24.	11-001186-001	Hex Hd. Cap Screw (1/4-20 x 1-1/4")
25.	11-613510-000	Terminal Tab
26.	11-609302-000	Terminal Bushing (115 Volt)
27.	N.A.	Dual Switch Pivot Assembly
28.	12-750362-000	Mercury Switch
29.	53-100247-000	Mercury Switch Assembly
30.	11-680103-000	Connector Plug (3 Contacts)
31.	11-680302-000	Terminal
32.	11-230001-001	X-Washer (1/8)
33.	12-750337-000	Latch Assembly
34.	12-450051-000	Tension Spring
35.	12-750364-000	Switch Plate Assembly
36.	53-100435-000	Switch Bracket
37.	11-674995-000	Push Button Switch
38.	53-520506-000	Deck Cable Assembly
39.	11-680218-000	Receptacle (12 Contacts)
40.	11-680301-000	Terminal
41.	11-680003-000	Connector Plug (12 Contacts)
42.	11-612301-000	Contact
43.	N.A.	Adapter Cable Assembly
44.	53-520508-000	A/P Control Cable Assembly
45.	N.A.	Receptacle (24 Contacts)
46.	11-612252-000	Receptacle
47.	11-680201-000	Receptacle (3 Contacts)
48.	11-605127-000	Cable Clamp
49.	11-623005-000	90° Angle Plug
50.	12-750369-000	Cable Clip

N.A. = No Longer Available

"2000" Switch Cluster Assembly, Dual Strike Mechanism & Harness Assemblies



**"2000" Switch Cluster Assembly,
Dual Strike Mechanism & Harness Assemblies**

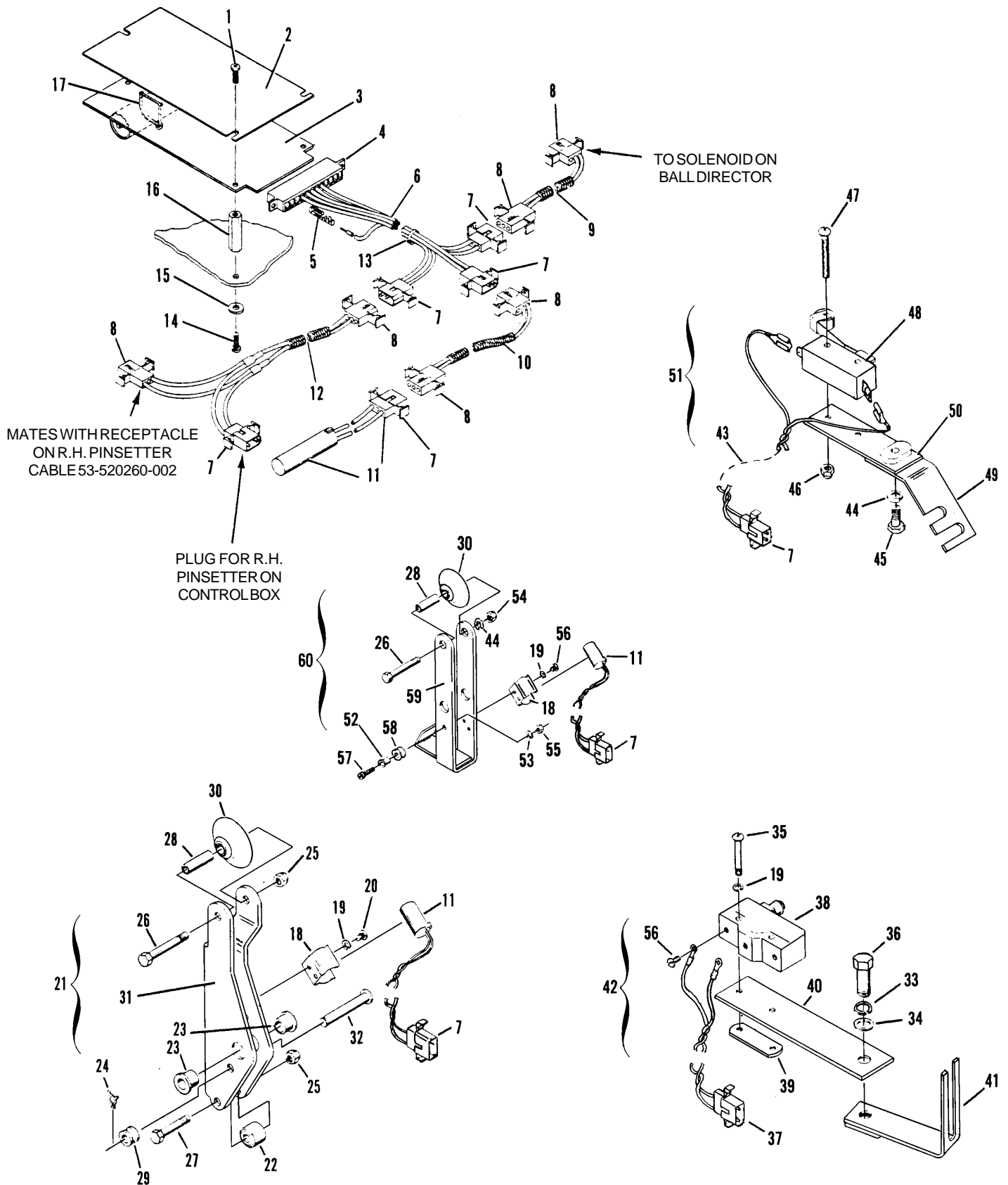
Index No.	Part No.	Description	Index No.	Part No.	Description
1.	N.A.	C.R. Pan Hd. Machine Screw (8-32 x 3/8")	31.	12-502138-000	Bracket
2.	N.A.	Guard	32.	12-150158-017	X-Washer Pin
3.	N.A.	PCB Assembly (See Note)	33.	11-195015-001	Lockwasher (5/16)
4.	11-680251-000	Edge Connector (12 Contacts)	34.	11-190012-001	Plain Washer (5/16)
5.	11-680303-000	Terminal	35.	N.A.	Slted. Rd. Hd. Machine Screw (6-32 x 1")
6.	N.A.	Harness Assembly	36.	11-001258-001	Hex Hd. Cap Screw (5/16-18 x 1/2")
7.	11-680103-000	Connector Plug (3 Contacts)	37.	N.A.	Switch Harness Assembly
	11-680302-000	Terminal	38.	N.A.	Switch
8.	11-680203-000	Receptacle (3 Contacts)	39.	N.A.	Twin Pilot Nut (6-32)
	11-680301-000	Terminal	40.	N.A.	Mounting Plate
9.	N.A.	Harness Assembly (30")	41.	N.A.	Base Bracket
10.	N.A.	Harness Assembly (96")	42.	N.A.	AMF Conversion Switch Assembly
11.	53-100247-000	Mercury Switch Assembly	43.	N.A.	Switch Harness Assembly
12.	N.A.	Harness Assembly	44.	11-195014-001	Lockwasher (1/4)
13.	11-603108-000	Cable Tie	45.	N.A.	Hex Hd. Cap Screw (1/4-20 x 5/16")
14.	11-012312-000	C.R. Pan Hd. Machine Screw (8-32 x 5/8")	46.	11-170002-001	Self Locking Nut (6-32)
15.	11-190004-001	Plain Washer (#8)	47.	N.A.	C.R. Rd. Hd. Machine Screw (6-32 x 7/8")
16.	N.A.	Standoff	48.	N.A.	Switch
17.	N.A.	Cable Tie	49.	N.A.	Angle Bracket
18.	N.A.	Clip	50.	N.A.	Mounting Bracket
19.	11-195006-001	Lockwasher (#6)	51.	N.A.	AMF 82-30 Switch Assy.
20.	11-013020-001	Slted. Pan Hd. Machine Screw (6-32 x 1/4")	52.	N.A.	Oilite Bearing
21.	N.A.	Ball Stop and Switch Assy.	53.	11-195010-001	Lockwasher (#10)
22.	11-450303-000	Roller Bearing	54.	11-125200-001	Hex Jam Nut (1/4-20)
23.	11-421111-000	Oilite Bearing	55.	11-125004-001	Hex Nut (10-24)
24.	11-230001-001	X-Washer (1/8)	56.	N.A.	Slted. Pan Hd. Machine Screw (6-32 x 3/16")
25.	11-170007-001	Self Locking Nut (1/4-20)	57.	11-005092-001	Hex Socket Hd. Cap Screw (10-24 x 3/4")
26.	11-001190-001	Hex Hd. Cap Screw (1/4-20 x 1-3/4")	58.	12-500019-000	Spring Wheel
27.	11-001186-001	Hex Hd. Cap Screw (1/4-20 x 1-1/4")	59.	12-500014-000	Stop Assembly
28.	10-386080-000	Spacer	60.	N.A.	Ball Stop and Switch Assembly
29.	10-376001-000	Spring Roller			
30.	34-082132-000	Rubber Roller Assembly			

N.A. = No Longer Available

NOTE: Rebuilt PCB assemblies are available on a direct exchange basis. Your defective PCB assembly should be packaged with a copy of Brunswick Order Form (900.06) included to identify your center and shipped to:

Brunswick Corporation
525 W. Laketon Avenue
Muskegon, MI 49443
Attn: Electronic Repair Center

Ball Director PCB, Harness & Ball Stop Assemblies



**Ball Director PCB, Harness
& Ball Stop Assemblies**

Index No.	Part No.	Description	Index No.	Part No.	Description
*1.	11-676027-000	Cement (Pint)	31.	N.A.	Self Tapping C.R. Flat Hd. Screw (#14 x 7/8")
*2.	34-205052-000	Hydraulic Fluid (4 Oz. Can)	32.	N.A.	Urethane Retarder
3.	N.A.	Slt'd. T. Hd. Machine Screw (1/4-20 x 1/2")	33.	N.A.	Retarder Shim
4.	11-199005-004	Internal Tooth Lockwasher (1/4)	34.	N.A.	Brad
5.	N.A.	Rocker	35.	N.A.	Track Extrusion Assy.
6.	11-195014-001	Lockwasher (1/4)	36.	N.A.	Fibre Track
7.	11-024288-001	Slt'd. T. Hd. Machine Screw (1/4-20 x 5/8")	37.	N.A.	C.R. Flat Hd. Wood Screw (#14 x 1-1/4")
8.	N.A.	Clevis Pin	38.	N.A.	Rubber Track
9.	N.A.	Hanger	39.	N.A.	Spacer
10.	11-335155-000	Cotter Pin (3/32 x 5/8")	40.	11-190006-001	Plain Washer (#10)
11.	N.A.	L.H. Fibre Track	41.	11-082094-009	Self Tapping C.R. Rd. Hd. Screw (#10 x 3/4")
**12.	N.A.	Cylinder Assembly w/Fluid (FZ)	42.	N.A.	Urethane Strip
	N.A.	Cylinder Assembly w/Fluid (GD)	*43.	N.A.	Plunger Assembly (FZ)
13.	N.A.	R.H. Fibre Track		N.A.	Plunger Assembly (GD)
14.	N.A.	Extrusion	44.	N.A.	Dip Stick
15.	N.A.	Screw Post	45.	N.A.	Spring
16.	N.A.	Counterweight	46.	N.A.	Cylinder Housing
17.	11-195017-001	Lockwasher (7/16)	47.	N.A.	Oilite Bearing
18.	N.A.	Special Screw	**48.	N.A.	Shaft Assembly (FZ)
19.	N.A.	Track Insert		N.A.	Shaft Assembly (GD)
20.	N.A.	R.H. Leather Facing	49.	12-100344-002	Copper Gasket (FZ)
21.	N.A.	Roller Axle	50.	N.A.	Set Screw (5/16-18 x 5/16") (GD)
22.	N.A.	Coupling Screw	51.	N.A.	C.R. Flat Hd. Machine Screw (1/4-20 x 1-1/2")
23.	N.A.	Bumper	52.	11-420043-000	Oilite Bearing
24.	34-082132-000	Rubber Roller Assy.	53.	N.A.	Hex Socket Hd. Cap Screw w/Nylok (5/16-18 x 1/2")
	34-205100-000	Neoprene Roller Assy.		N.A.	Adjusting Screw (5/16-18 x 8-5/16") (GD)
25.	N.A.	C.R. Oval Hd. Machine Screw (5/16-18 x 1-1/2")	54.	N.A.	Shaft Guide
26.	N.A.	L.H. Leather Facing	55.	N.A.	Spring Sleeve
27.	N.A.	Coupling Nut (5/16-18)	56.	N.A.	Spring
28.	N.A.	Rubber Panel	57.	N.A.	Collar
29.	N.A.	Retarder Casting	58.	11-530017-001	Retaining Ring
30.	N.A.	Self Tapping C.R. Oval Hd. Screw (#14 x 1-3/4")	**59.	N.A.	Cradle Ball Stop Assy. (FZ)

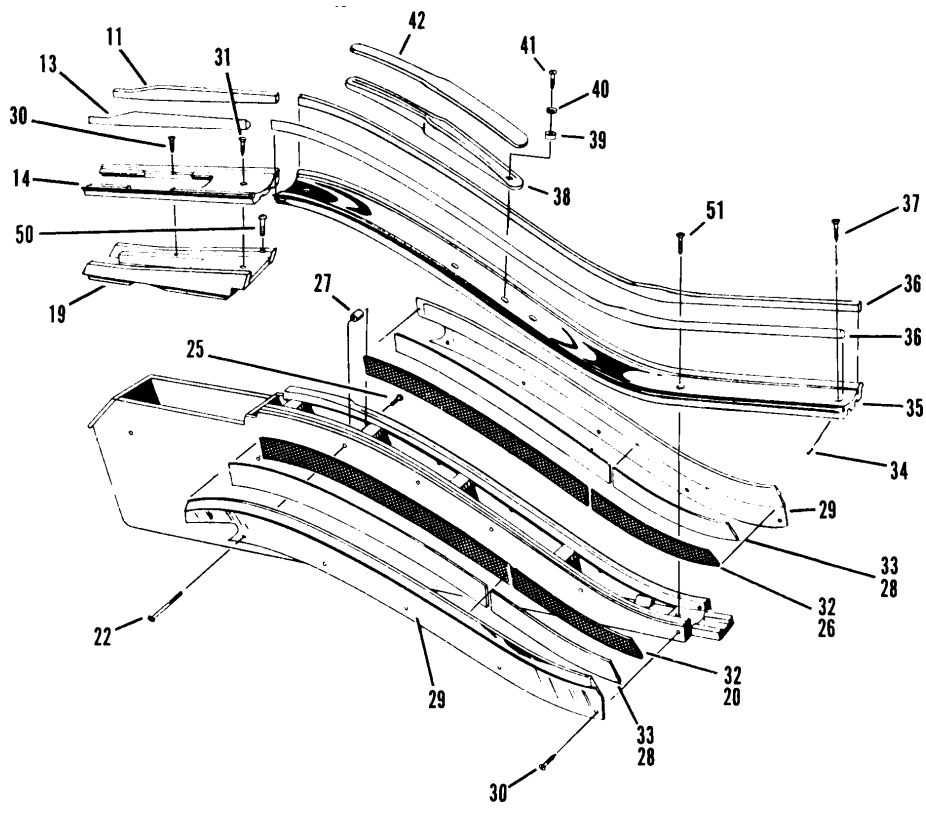
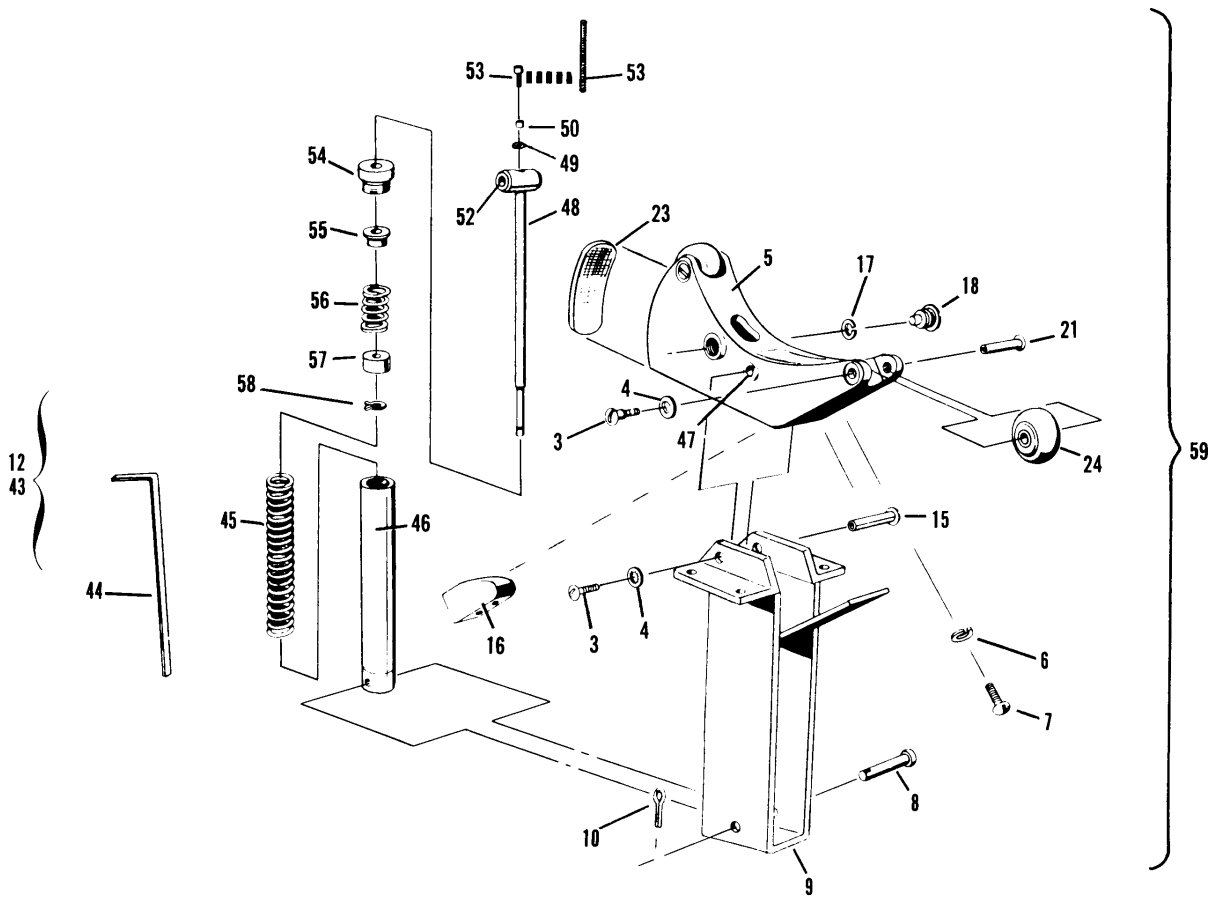
N.A. = No Longer Available

* Not Illustrated

** Model FZ - for use with Brunswick pinsetter.

Model GD - for use with AMF pinsetter.

A-2 Cradle Ball Stop & Riser Section



A-2 Cradle Ball Stop & Riser Section

Index

No.	Part No.	Description
1.	53-400030-000	Ball Track
2.	11-006088-001	Pan Hd. Hex Screw (#10-24 x 1/2")
3.	N.A.	Left Hand Exit Track Only
	53-400063-000	Left Hand Exit Track w/Reset Switch Assy.
4.	N.A.	Right Hand Exit Track Only
	53-400062-000	Right Hand Exit Track with Reset Switch Assy.
5.	53-861057-000	Reset Switch w/Bracket Assembly
6.	11-082683-001	Type "B" Pan Hd. Screw (#10-16 x 3/8")
7.	11-010808-000	Flat Hd. C.R. Self-Tapping Screw (#10-24 x 1/2")
8.	53-400057-xxx	Wear Strip
9.	11-082705-001	Type "B" Pan Hd. Screw (#12-14 x 5/8")
10.	11-082701-001	Type "B" Pan Hd. Screw (#12-14 x 3/8")
11.	53-400036-000	Blower Mount - Upper
12.	53-861059-115	Hand Dryer Fan - 115 VAC
	53-861059-230	Hand Dryer Fan - 230 VAC
13.	53-400024-000	Fan Mounting Bracket
14.	11-001182-001	Hex Hd. Screw (1/4-20 x 3/4")
15.	53-400038-000	Spacer Plate
16.	N.A.	Leg Plate
17.	11-195015-001	Lockwasher (5/16")
18.	11-001263-001	Hex Hd. Cap Screw (5/16-18 x 7/8")
19.	N.A.	Leg
20.	53-400018-000	Leg Weldment
21.	53-400301-001	Button Head Cap Screw (3/8-16 x 2-1/4")
22.	53-400007-000	Ball Return End Cap -Lower
23.	11-082703-001	Type "B" Pan Hd. Screw (#12-14 x 1/2")
24.	11-082687-000	Type "B" Pan Hd. Screw (#10-16 x 5/8")
25.	11-017202-000	Pan Hd. Screw w/Toothwasher (#10-32 x 7/16")
26.	11-082703-001	Type "B" Pan Hd. Screw (#12-14 x 1/2")
27.	11-198005-001	Lockwasher (1/4")
28.	53-400010-000	Ball Bumper
29.	11-125100-001	Nut (1/4-20)
30.	11-082703-001	Type "B" Pan Hd. Screw (#10-16 x 3/8")
31.	53-400056-000	Ball Return End Cap - Top
32.	*53-861026-xxx	Ball Rail Extrusion - Available in colors -104, -105, and -116
33.	N.A.	Weldment - Ball Track
34.	53-400055-000	Vent - Ball Rack
35.	N.A.	Wire Tie
36.	53-400039-000	Blower Mount (Lower)
37.	11-095011-000	Floor Anchor - Wood
38.	11-198005-001	Lockwasher (1/4")
39.	53-400041-000	Hand Dryer Hose
40.	53-400043-102	Decal Vent (Light Grey)
41.	*N.A.	Color Kit - Ball Return includes item numbers 8, 32 and 40. Also includes hood logos, throat insert and mount hardware.
42.	**53-861090-xxx	Color Kit- Accent Colors - Ball return includes item numbers 32, 40, and 8. Item Number 8 (Wear Strip) not available in colors -222 and -225

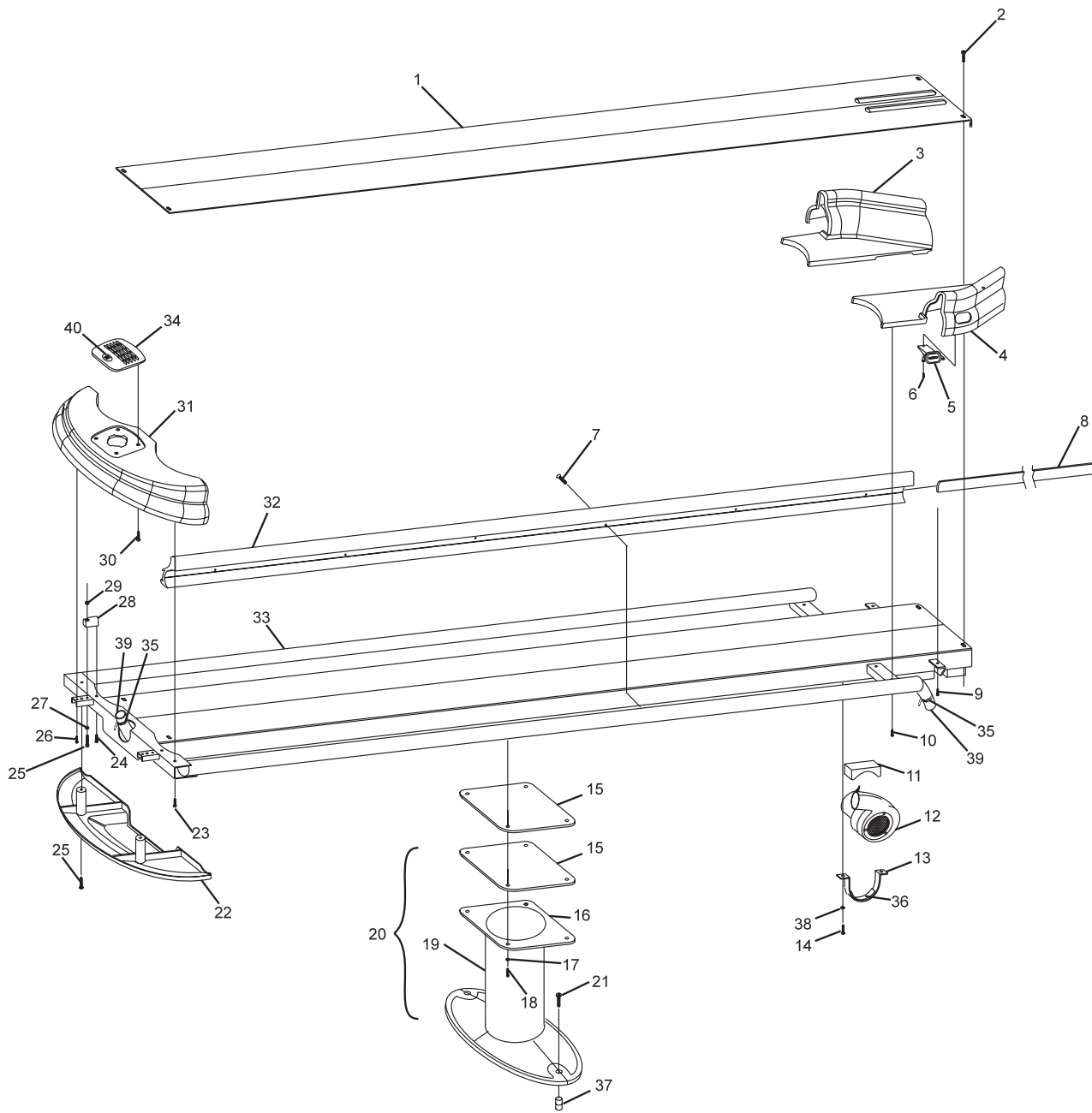
** Not Illustrated

N.A. = No Longer Available

* Color Chart

Part No. Suffix	Primary Color	Secondary Color
-104	ORANGE	
-105	GRAPE	
-113	DARK BLUE	
-116	DARK TEAL	
-101	DARK GREY	
-102	LIGHT GREY	
-220	BLUEBERRY	BANANA accent
-221	KIWI	BLUEBERRY accent
-222	CRANBERRY	BANANA accent
-223	GRAPE	KIWI accent
-224	BANANA	GRAPE accent
-225	STRAWBERRY	BANANA accent

Framework Ball Return



Frameworx Ball Return